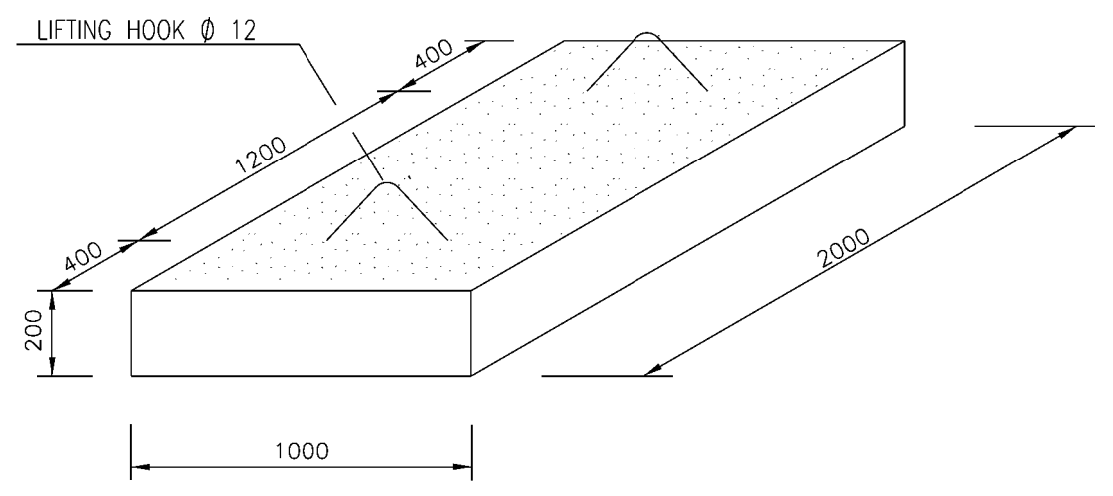
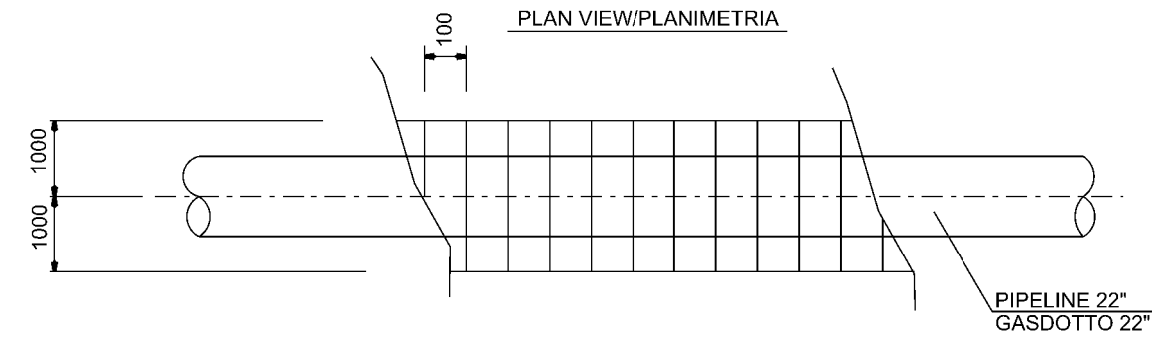


REFERENCE DOCUMENTS / DOCUMENTI DI RIFERIMENTO	N
TYPICAL DRAWINGS FOR TRENCH - SCAVO LETTO DI POSA E RINTERRO DELLA CONDOTTA	10-DT-D-5501

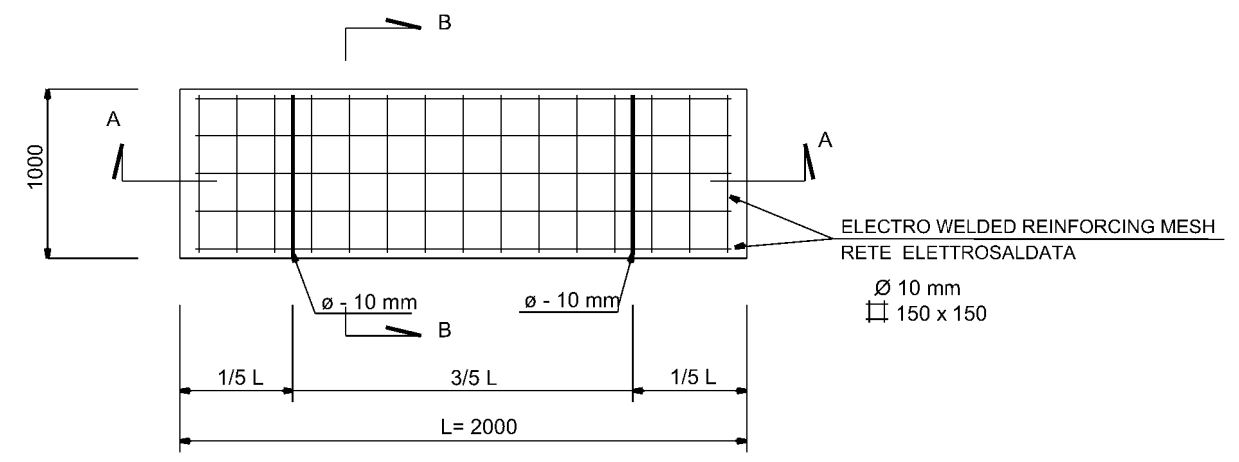
TYPICAL CONCRETE PANEL



PLAN VIEW/PLANIMETRIA

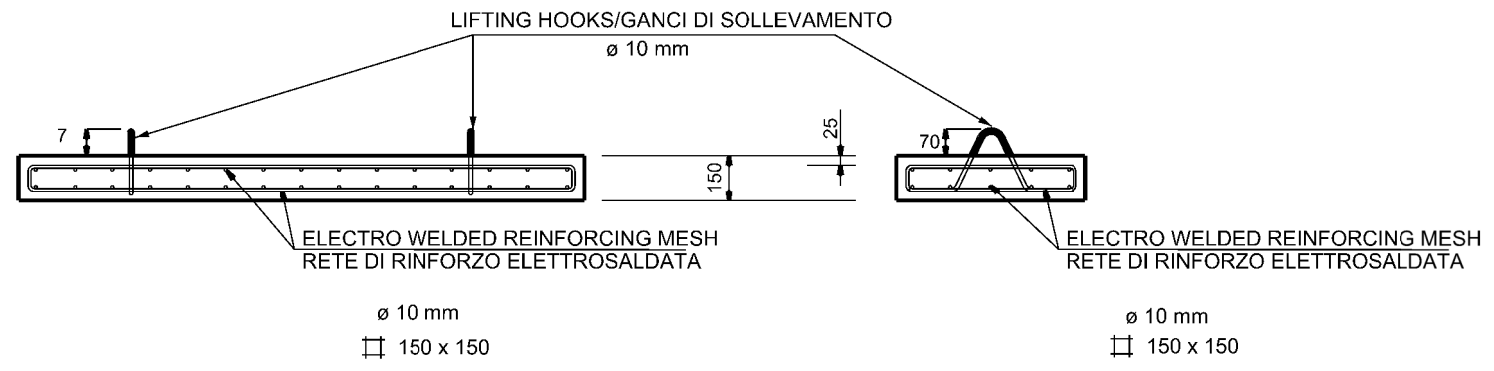


REINFORCING PLAN VIEW/PLANIMETRIA DELLE ARMATURE

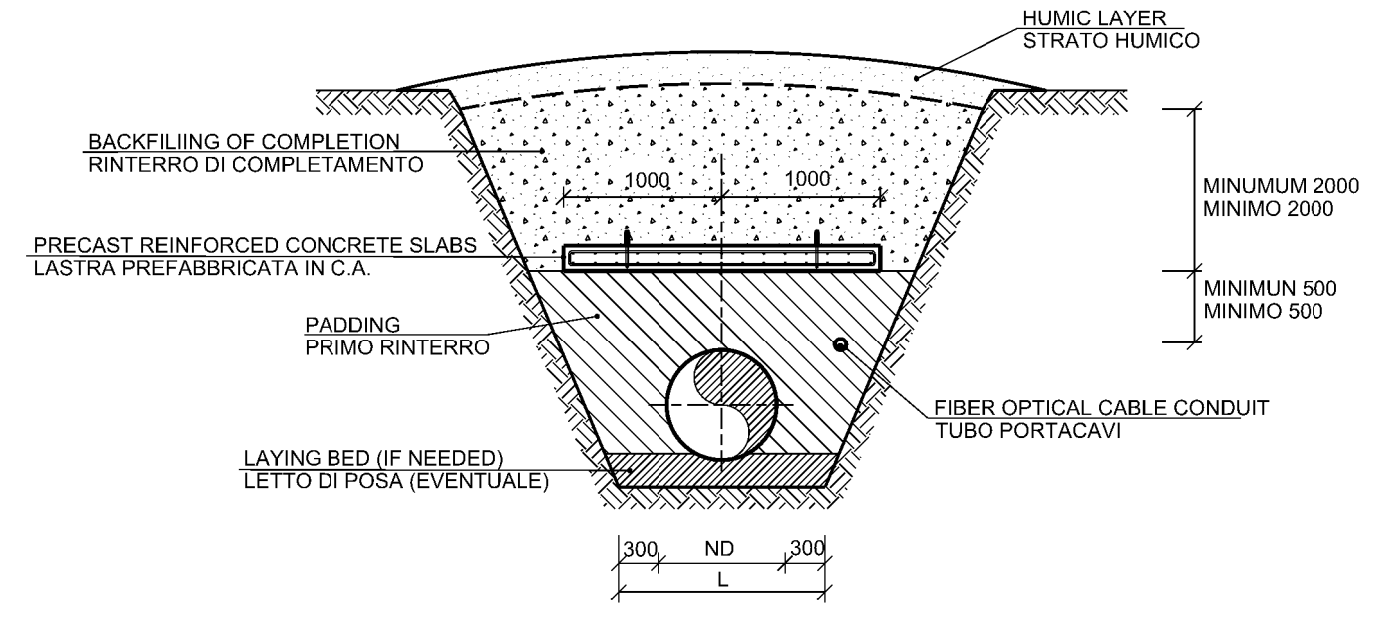


SECTION/SEZIONE A-A

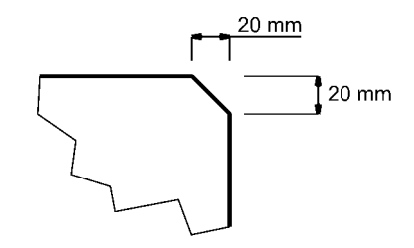
SECTION/SEZIONE B-B



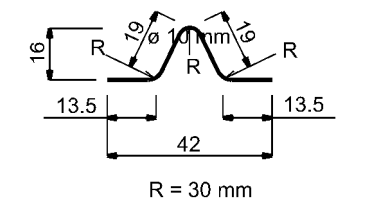
SECTION/SEZIONE



EDGES OF CONCRETE STRUCTURES SHOULD BE SMOOTHED  
GLI SPIGOLI DELLE STRUTTURE IN CALCESTRUZZO  
DOVRANNO ESSERE SMUSSATI



LIFTING HOOK  
GANCIO DI SOLLEVAMENTO



TOTAL LENGTH/LUNGHEZZA TOTALE = 65

NOTES / NOTE  
DRAWING NOT TO SCALE. ALL THE DIMENSIONS ARE IN MILLIMETER.  
DISEGNO FUORI SCALA E MISURE ESPRESSE IN MILLIMETRI.

4	28/08/2019	AFD-APPROVED FOR DESIGN	D BARUCCA	G AIUDI	A PATERNIANI
3	22/08/2019	UPDATED ACCORDING TO THE RECEIVED COMMENTS IFA-ISSUE FOR APPROVAL	D BARUCCA	G AIUDI	A PATERNIANI
2	19/07/2019	REVISED ACCORDING TO THE RECEIVED COMMENTS IFC-ISSUE FOR COMMENTS	D BARUCCA	G AIUDI	A PATERNIANI
1	06/05/2019	ISSUE FOR COMMENTS	D BARUCCA	G AIUDI	A PATERNIANI
0	02/05/2019	ISSUE FOR INTERNAL CHECK	D BARUCCA	G AIUDI	A PATERNIANI
Rev	Date	Description	Prepared	Checked	Approved
Rev	Data	Descrizione	Preparato	Verificato	Approvato
					CONTRACT N. CT 3108/2018
LOCATION/LOCALITA' MALTA & ITALY			JOB Commissa 171001		
PROJECT PROGETTO MELITA TRANSGAS PIPELINE			Document No / N Documento 10-DT-D-5511		
DOCUMENT TITLE TITOLO DEL DOCUMENTO TYPICAL DRAWINGS FOR CONCRETE SLABS PROTEZIONE CON LASTRE PREFABBRICATE IN C.A.			REVISION REVISIONE 4		
			SHEET/FG 1 OF/DI 2		
			SCALE/SCALA		

The sole responsibility of this publication lies with the author. The European Union is not responsible for any use that may be made of the information contained therein.

REFERENCE DOCUMENTS / DOCUMENTI DI RIFERIMENTO	N
TYPICAL DRAWINGS FOR TRENCH - SCAVO LETTO DI POSA E RINTERRO DELLA CONDOTTA	10-DT-D-5501

**APPLICATION AND USES**

PRECAST REINFORCED CONCRETE SLABS SHOULD BE INSTALLED IN SECTIONS WHERE AN ADDITIONAL PIPELINE PROTECTION IS REQUIRED.

**MATERIAL PROPERTIES**

CONCRETE AND UTILIZED MATERIALS WILL BE COMPLIANT WITH THE DESIGN REQUIREMENTS AND APPLICABLE CODES.

IF NOT AVAILABLE, EUROPEAN CODES WILL BE APPLIED AND IN PARTICULAR THE FOLLOWING:

- EN 206 "CONCRETE - SPECIFICATION, PERFORMANCE, PRODUCTION AND CONFORMITY".
- EN 197-1 "CEMENT - PART 1: COMPOSITION, SPECIFICATIONS AND CONFORMITY CRITERIA FOR COMMON CEMENTS"
- EN 10080 "STEEL FOR THE REINFORCEMENT OF CONCRETE - WELDABLE REINFORCING STEEL GENERAL IN AGGRESSIVE ENVIROMENTS, CONCRETE SHOULD BE CHEMICALLY RESISTENT IN COMPLIANCE WITH RELEVANT REGULATIONS AND STANDARDS.
- CONCRETE FOR REINFORCED CONCRETE STRUCTURES: MINIMUM STRENGHT CLASS C20/25
- STEEL FOR REINFORCED CONCRETE STRUCTURES: MINIMUM STRENGHT CLASS B450C IMPROVED GRIP
- CONCRET COVER : MINIMUM THICKNESS 3,0 cm.

**APPLICATION AND USES**

PREFABRICATED SLABS SHALL BE POSITIONED DURING THE BACKFILLING OPERATION OF THE TRENCH AT A MINIMUM VERTICAL DISTANCE (OF AT LEAST 0.5 METERS) FROM THE TOP OF PIPE.

**NOTES**

THIS DRAWING IS NOT TO SCALE. MEASURES ARE IN mm, UNLESS OTHERWISE NOTED.

FOR TRENCH GENERAL REQUIREMENTS APPLICABLE TO THIS STANDARD, PLEASE REFER TO DWG N. 10-DT-D-5501

PRECAST REINFORCED CONCRETE SLABS WILL BE INSTALLED IN SECTIONS WHERE AN ADDITIONAL PIPELINE PROTECTION IS REQUIRED BY AUTHORITY AND/OR CROSSED SERVICES OWNERS. FOR EXAMPLE (NON EXHAUSTIVE LIST):

- CROSSING BELOW AND ABOVE EXISTING PIPE
- CROSSING BELOW AND ABOVE EXISTING CABLE
- DITCHES, DRANAGE CANALS
- TRACK/UNPAVED ROAD CROSSING

**CAMPO DI APPLICABILITA'**

LE LASTRE PREFABBRICATE IN CALCESTRUZZO ARMATO CON RETE ELETTRORALDATA SONO UTILIZZATE IN TRATTI DOVE E' NECESSARIO AVERE UNA PROTEZIONE MECCANICA AGGIUNTIVA DELLA CONDOTTA.

**CARATTERISTICHE DEI MATERIALI**

I MATERIALI UTILIZZATI DEVONO SODDISFARE I REQUISITI DI PROGETTO E QUELLI DELLA NORMATIVA VIGENTE; IN LORO ASSENZA DEVONO SODDISFARE I REQUISITI RICHIESTI DALLE NORME EN, IN PARTICOLARE:

- EN 206 "CONCRETE - SPECIFICATION, PERFORMANCE, PRODUCTION AND CONFORMITY".
- EN 197-1 "CEMENT - PART 1: COMPOSITION, SPECIFICATIONS AND CONFORMITY CRITERIA FOR COMMON CEMENTS"
- EN 10080 "STEEL FOR THE REINFORCEMENT OF CONCRETE - WELDABLE REINFORCING STEEL GENERAL"
- CALCESTRUZZO PER CEMENTO ARMATO CON CLASSE DI RESISTENZA MINIMA C 20/25
- IN AMBIENTI CHIMICAMENTE AGGRESSIVI SI DOVRANNO UTILIZZARE CEMENTI RESISTENTI IN ACCORDO ALLE NORME VIGENTI SUI CALCESTRUZZI ARMATI
- RETE ELETTRORALDATA DIAMETRO 10 mm MAGLIA 15 X 15 cm. Acciaio B450 C.
- COPRIFERRO MINIMO 3 cm.

**CRITERI DI ESECUZIONE**




LE LASTRE PREFABBRICATE VERRANNO POSIZIONATE DURANTE LE OPERAZIONI DI RINTERRO DELLA TRINCEA AD UNA DISTANZA VERTICALE MINIMA DALLA GENERATRICE SUPERIORE DELLA CONDOTTA DI ALMENO 0,5 METRI

**NOTA**

DISEGNO FUORISCALA E MISURE ESPRESSE IN mm TRANNE DOVE DIVERSAMENTE INDICATO.

LE LASTRE PREFABBRICATE SONO UTILIZZATE IN TRATTI DOVE E' RICHIESTA UNA PROTEZIONE MECCANICA AGGIUNTIVA DELLA CONDOTTA DA PARTE DELLE AUTORITA' E/O PROPRIETARI DEI SOTTOSERVIZI ATTRAVERSATI. PER ESEMPIO (LISTA NON ESAUSTIVA):

- ATTRAVERSAMENTI DI TUBAZIONI ESISTENTI
- ATTRAVERSAMENTI DI CAVI ESISTENTI
- FOSSI, RUSCELLI, SCOLINE, CANALI DI DRENAGGIO
- ATTRAVERSAMENTO STRADE STERRATE

4	28/08/2019	AFD-APPROVED FOR DESIGN	D BARUCCA	G AIUDI	A PATERNIANI
3	22/08/2019	UPDATED ACCORDING TO THE RECEIVED COMMENTS IFA-ISSUE FOR APPROVAL	D BARUCCA	G AIUDI	A PATERNIANI
2	19/07/2019	REVISED ACCORDING TO THE RECEIVED COMMENTS IFC-ISSUE FOR COMMENTS	D BARUCCA	G AIUDI	A PATERNIANI
1	06/05/2019	ISSUE FOR COMMENTS	D BARUCCA	G AIUDI	A PATERNIANI
0	02/05/2019	ISSUE FOR INTERNAL CHECK	D BARUCCA	G AIUDI	A PATERNIANI
Rev	Date	Description	Prepared	Checked	Approved
Rev	Data	Descrizione	Preparato	Verificato	Approvato
				CONTRACT N. CT 3108/2018	
		LOCATION/LOCALITA' <b>MALTA &amp; ITALY</b>		JOB Commissa <b>171001</b>	
PROJECT PROGETTO <b>MELITA TRANSGAS PIPELINE</b>			Document No / N Documento <b>10-DT-D-5511</b>		
DOCUMENT TITLE TITOLO DEL DOCUMENTO <b>TYPICAL DRAWINGS FOR CONCRETE SLABS PROTEZIONE CON LASTRE PREFABBRICATRE IN C A.</b>			REVISION REVISIONE <b>4</b>		
			SHEET/FG <b>2</b> OF/DI <b>2</b>		
			SCALE/SCALA		

The sole responsibility of this publication lies with the author. The European Union is not responsible for any use that may be made of the information contained therein.