

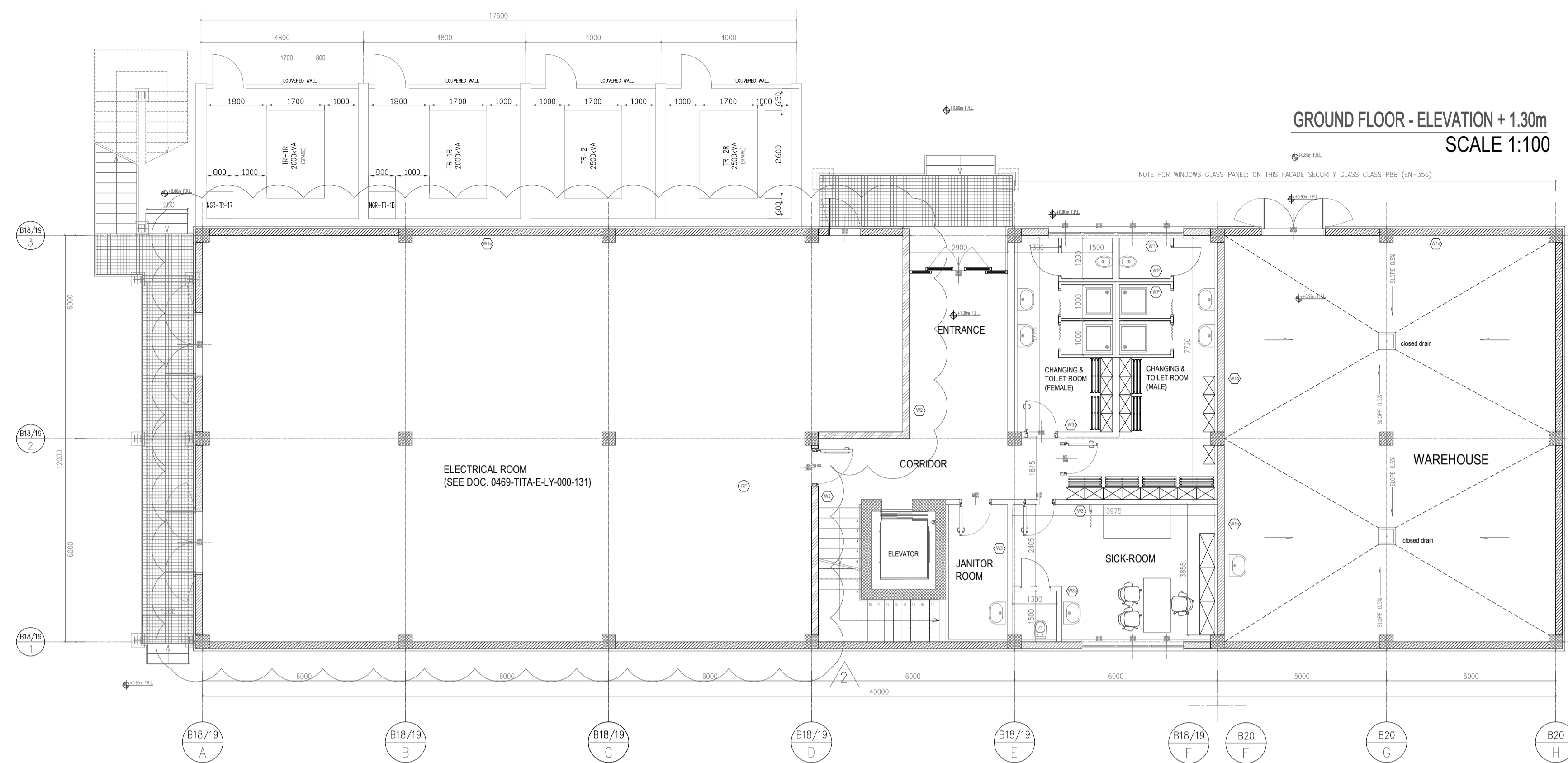
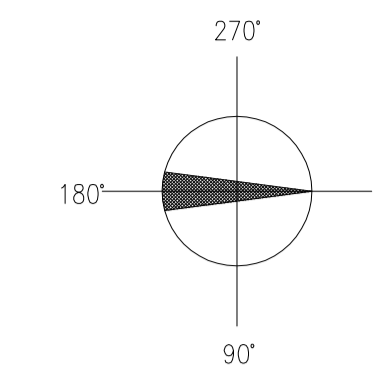
DWG. N° / N° DIS	DESCRIPTIONS / DESCRIZIONE
0469-TITA-P-PP-000-001_0	GENERAL PLOT PLAN
0469-TITA-E-LY-000-131	ELECTRICAL EQUIPMENT LAYOUT MAIN CONTROL & ELECTRICAL BUILDING
0469-TITA-I-LY-001-101	MAIN CONTROL-RACK ROOM LAYOUT
.....
.....

NOTE:

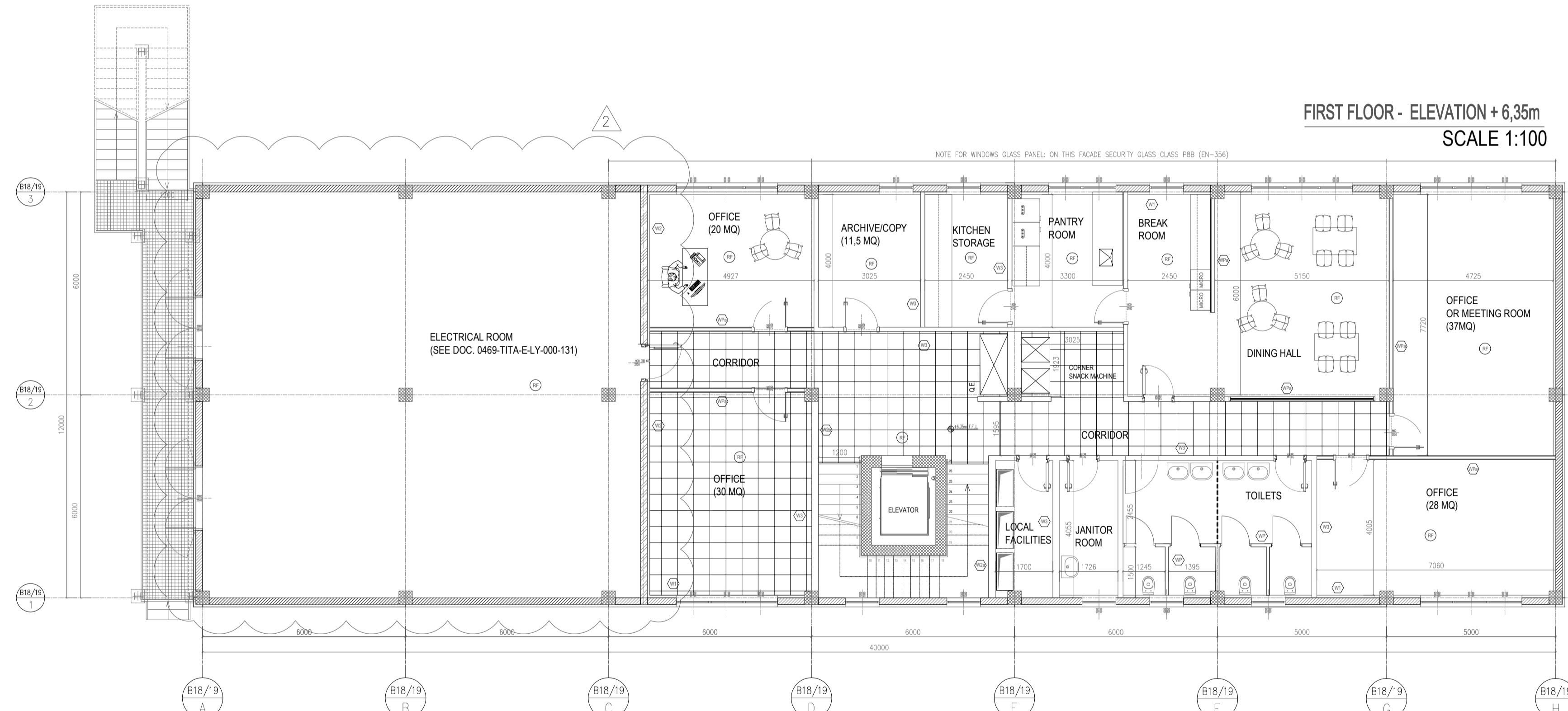
- 1 - ALL DIMENSION AND ELEVATION ARE IN METER.
- 2 - THE REFERENCE ELEVATION ± 0.000 M CORRESPONDES TO +2.500 M A.S.L.

LEGEND

- W1** WALL TYPE 1:
 - EXTERNAL METAL CLADDING THK 75 mm
 - HOLLOW CONCRETE BLOCK THK 200 mm
 - GYPSUM FALSE WALL BOARD THK 75 mm
- W1a** WALL TYPE 1a
 - EXTERNAL METAL CLADDING THK 75 mm
 - HOLLOW CONCRETE BLOCK THK 200 mm
- W1b** WALL TYPE 1b
 - REINFORCED HOLLOW CONCRETE BLOCK, THK 200 mm
 - GYPSUM FALSE-WALL BOARD, THK 75 mm
- W2** WALL TYPE 2
 - HOLLOW CONCRETE BLOCK PLASTERED, THK 200 mm
 - FIRE RATED 60 Mn.
- W2a** WALL TYPE 2a
 - HOLLOW CONCRETE BLOCK PLASTERED, THK 200 mm
- W3** WALL TYPE 3
 - GYPSUM WALL BOARD, THK 155 mm
- W3a** WALL TYPE 3a
 - WATER RESISTANT GYPSUM WALL BOARD, THK 155 mm
- WP** WALL PARTITION
 - CUBICLE WALL PARTITION
- WPa** WALL PARTITION
 - OFFICE WALL PARTITION
- RF** TECHNICAL FLOOR
 - RAISED FLOOR



GROUND FLOOR - ELEVATION + 1.30m
SCALE 1:100



FIRST FLOOR - ELEVATION + 6.35m
SCALE 1:100

BUILDING	WALL FINISH				SKIRTING				FLOOR FINISH											CEILING FINISH						
	W1	W2	W3	W3a	S1	S2	S3	S4	F1	F1a	F2	F3	F4	F5	F6	F7	F8	F9	F10	F11	C1	C2	C3	C4	C5	
GROUND FLOOR																										
A ENTRANCE/CORRIDOR	W1	W2	W3				S4		F1																	
B RACK ROOM									F1																	
C ELECTRICAL ROOM									F1																	
D CHANGING ROOM							S1																			
E SHOWERS ROOM																										
F TOILET ROOM																										
G JANITOR ROOM	W1	W2	W3																							
H WAREHOUSE																										
FIRST FLOOR																										
A ELECTRICAL ROOM									F1																	
B OFFICE									S9																	
C PANTRY ROOM									S9																	
D KIT CHENI BREAK ROOM									F1																	
E BREAK ROOM									F1																	
F TOILET ROOM									S6																	
G KIT CHENI BREAK ROOM									S9																	
H CORRIDOR									F1																	
I COPY ROOM									F1																	
J OFFICE									F1																	
K OFFICE									F1																	
L TECHNICAL / SERVER ROOM									F1																	
M JANITOR ROOM									F1																	
N CORRIDOR									F1																	
O TOILET ROOM									F2																	

FINISHING SCHEDULE

REV.	DESCRIPTION - Descrizione	PREP'D - Red.	CHK'D - Contr.	APPR'D - Appr.	REV APPR'D - Appr.	DATE - Data
2	ISSUED FOR USE					05/08/20
1	ISSUED FOR USE					31/07/20
0	ISSUED FOR COMMENT					24/07/20

REVISIONS - Modifiche

CONTRACTOR	COMPANY
TECHINT Engineering & Construction	VeniceLNG

PROJECT TITLE: VENICE LNG
 PROJECT: FEED - VENICE LNG TERMINAL (PORTO MARGHERA)
 BUILDING N.18, 19, 20
 ELECTRICAL, CONTROL&OFFICE BUILDING, WAREHOUSE
 PLANS LAYOUT

SCALE: 1:100	FORM: A1	CONTRACTOR DOC. N°: 0469-TITA-A-PW-001-001	REV. 2	SHT. 1	OF 2
--------------	----------	--	--------	--------	------

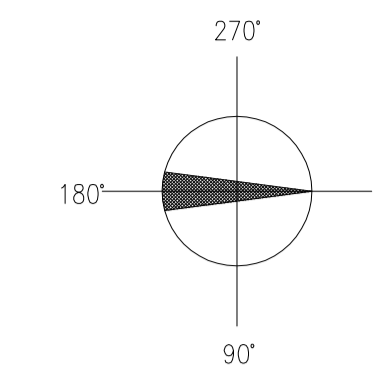
DWG. N° / N° DIS	DESCRIPTIONS / DESCRIZIONE
0469-TITA-P-PP-000-001_0	GENERAL PLOT PLAN
0469-TITA-E-LY-000-131	ELECTRICAL EQUIPMENT LAYOUT MAIN CONTROL & ELECTRICAL BUILDING
0469-TITA-I-LY-001-101	MAIN CONTROL-RACK ROOM LAYOUT
.....
.....

NOTE:

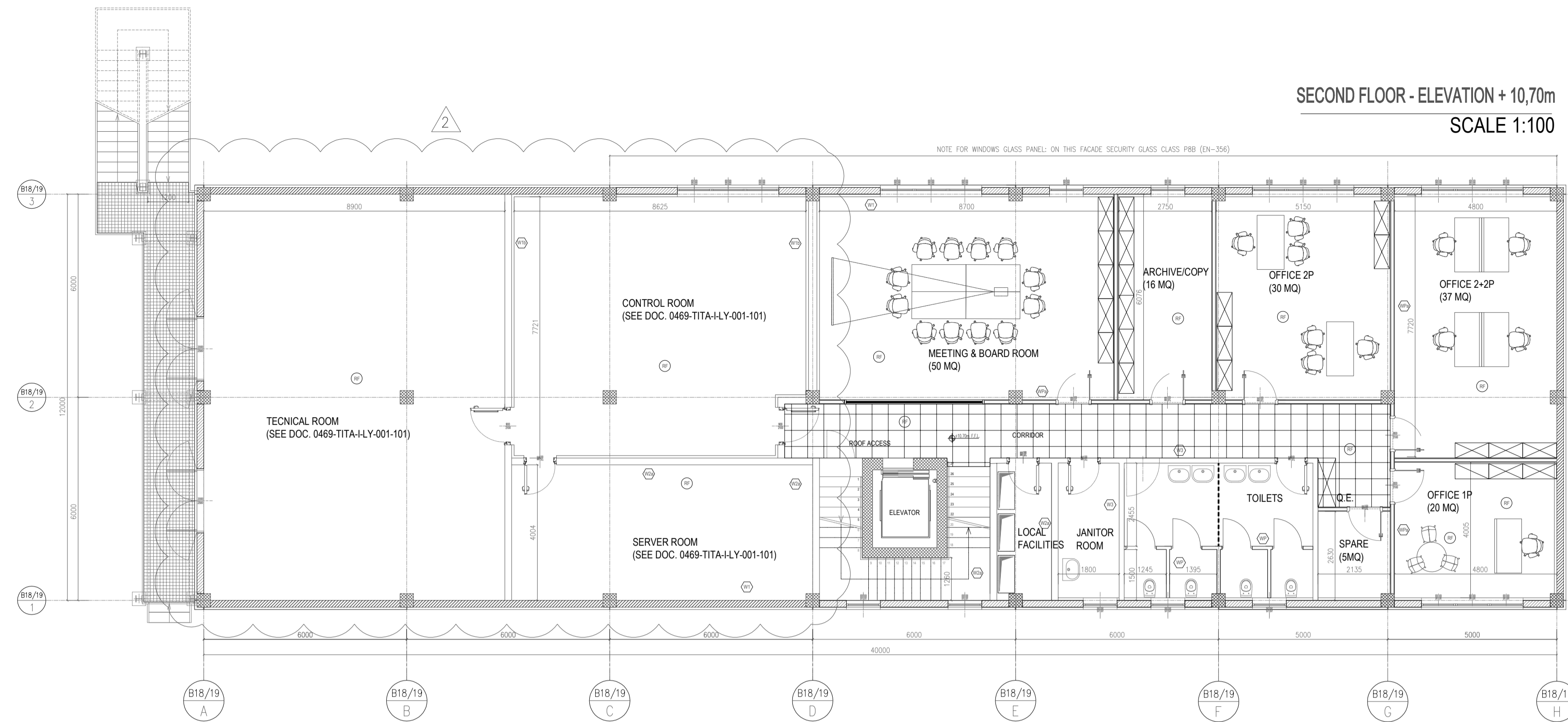
- 1 - ALL DIMENSION AND ELEVATION ARE IN METER.
- 2 - THE REFERENCE ELEVATION ± 0.000 M CORRESPONDES TO +2.500 M A.S.L.

LEGEND

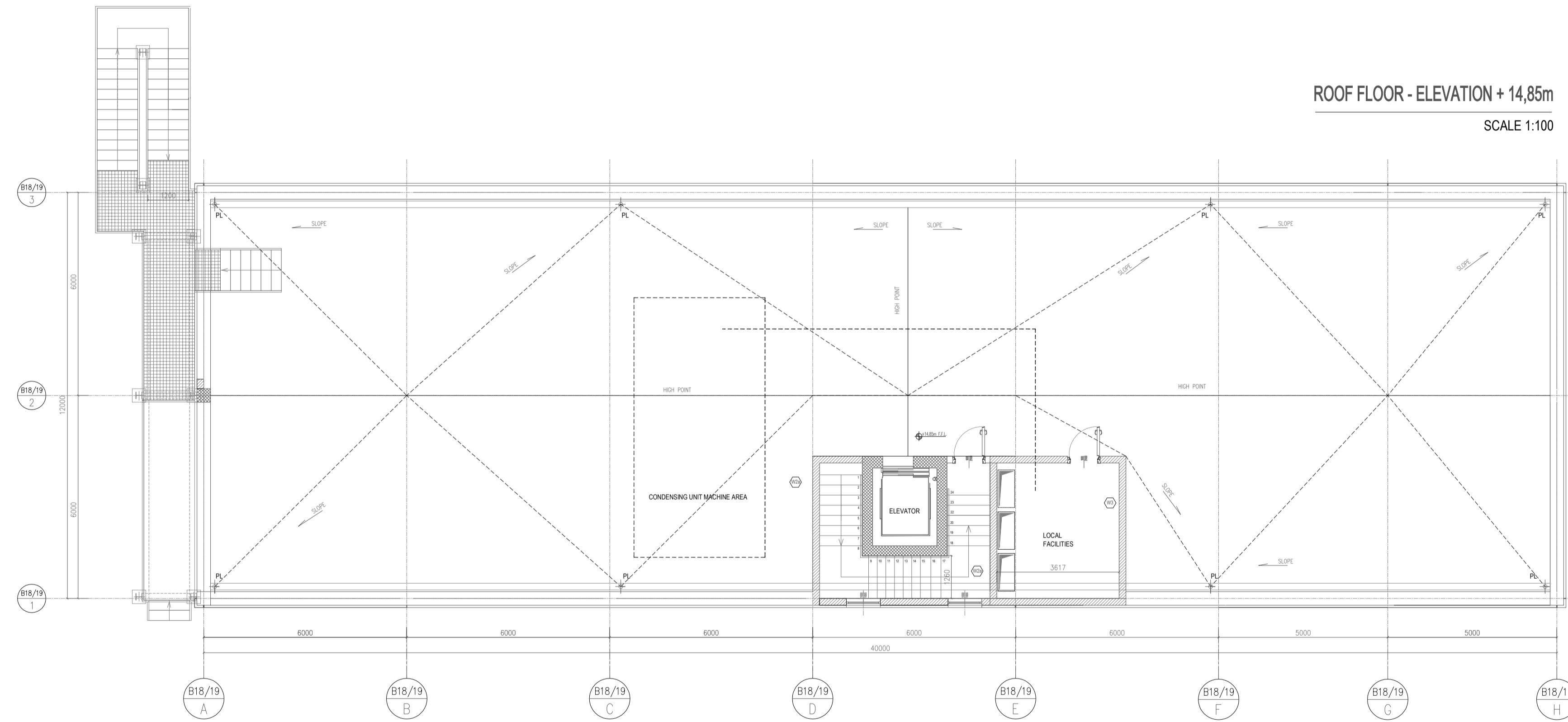
- W1** WALL TYPE 1:
 - EXTERNAL METAL CLADDING THK 75 mm
 - HOLLOW CONCRETE BLOCK, THK 200 mm
 - GYPSUM FALSE WALL BOARD THK 75 mm
- W1a** WALL TYPE 1a
 - EXTERNAL METAL CLADDING THK 75 mm
 - HOLLOW CONCRETE BLOCK, THK 200 mm
- W1b** WALL TYPE 1b
 - REINFORCED HOLLOW CONCRETE BLOCK, THK 200 mm
 - GYPSUM FALSE-WALL BOARD, THK 75 mm
- W2** WALL TYPE 2
 - HOLLOW CONCRETE BLOCK PLASTERED, THK 200 mm
 - FIRE RATED 60 Mn.
- W2a** WALL TYPE 2a
 - HOLLOW CONCRETE BLOCK PLASTERED, THK 200 mm
- W3** WALL TYPE 3
 - GYPSUM WALL BOARD, THK 155 mm
- W3a** WALL TYPE 3a
 - WATER RESISTANT GYPSUM WALL BOARD, THK 155 mm
- WP** WALL PARTITION
 - CUBICLE WALL PARTITION
- WPa** WALL PARTITION
 - OFFICE WALL PARTITION
- RF** TECHNICAL FLOOR
 - RAISED FLOOR



SECOND FLOOR - ELEVATION + 10,70m
SCALE 1:100



ROOF FLOOR - ELEVATION + 14,85m
SCALE 1:100



BUILDING	WALL FINISH				SKIRTING				FLOOR FINISH										CEILING FINISH						
	W1	W2	W3	W4	S1	S2	S3	S4	F1	F1a	F2	F3	F4	F5	F6	F7	F8	F9	F10	F11	C1	C2	C3	C4	C5
GROUND FLOOR																									
A ENTRANCE/CORRIDOR	W1	W2	W3						F1	F1a	F2	F3	F4	F5	F6	F7	F8	F9	F10	F11	C1	C2	C3	C4	C5
B BICK ROOM	W2	W3							F1	F1a	F2	F3	F4	F5	F6	F7	F8	F9	F10	F11	C1	C2	C3	C4	C5
C ELECTRICAL ROOM	W2	W3							F1	F1a	F2	F3	F4	F5	F6	F7	F8	F9	F10	F11	C1	C2	C3	C4	C5
D CHANGING ROOM	W2	W3			S1				F1	F1a	F2	F3	F4	F5	F6	F7	F8	F9	F10	F11	C1	C2	C3	C4	C5
E SHOWER ROOM	W2	W3							F1	F1a	F2	F3	F4	F5	F6	F7	F8	F9	F10	F11	C1	C2	C3	C4	C5
F TOILET ROOM	W2	W3							F1	F1a	F2	F3	F4	F5	F6	F7	F8	F9	F10	F11	C1	C2	C3	C4	C5
G JANITOR ROOM	W1	W2	W3						F1	F1a	F2	F3	F4	F5	F6	F7	F8	F9	F10	F11	C1	C2	C3	C4	C5
H WAREHOUSE									F1	F1a	F2	F3	F4	F5	F6	F7	F8	F9	F10	F11	C1	C2	C3	C4	C5
FIRST FLOOR																									
A ELECTRICAL ROOM	W1	W2							F1	F1a	F2	F3	F4	F5	F6	F7	F8	F9	F10	F11	C1	C2	C3	C4	C5
B OFFICE	W2	W3							F1	F1a	F2	F3	F4	F5	F6	F7	F8	F9	F10	F11	C1	C2	C3	C4	C5
C PARTNER ROOM	W2	W3							F1	F1a	F2	F3	F4	F5	F6	F7	F8	F9	F10	F11	C1	C2	C3	C4	C5
D KITCHEN/STORAGE	W2	W3							F1	F1a	F2	F3	F4	F5	F6	F7	F8	F9	F10	F11	C1	C2	C3	C4	C5
E DINING ROOM	W2	W3							F1	F1a	F2	F3	F4	F5	F6	F7	F8	F9	F10	F11	C1	C2	C3	C4	C5
F TOILET ROOM	W2	W3							F1	F1a	F2	F3	F4	F5	F6	F7	F8	F9	F10	F11	C1	C2	C3	C4	C5
G KITCHEN/BREAK ROOM	W2	W3							F1	F1a	F2	F3	F4	F5	F6	F7	F8	F9	F10	F11	C1	C2	C3	C4	C5
H CORRIDOR	W2	W3							F1	F1a	F2	F3	F4	F5	F6	F7	F8	F9	F10	F11	C1	C2	C3	C4	C5
I COPY ROOM	W2	W3							F1	F1a	F2	F3	F4	F5	F6	F7	F8	F9	F10	F11	C1	C2	C3	C4	C5
SECOND FLOOR																									
A CONTROL ROOM	W1	W2							F1	F1a	F2	F3	F4	F5	F6	F7	F8	F9	F10	F11	C1	C2	C3	C4	C5
B OFFICE	W1	W2							F1	F1a	F2	F3	F4	F5	F6	F7	F8	F9	F10	F11	C1	C2	C3	C4	C5
C TECHNICAL SERVER ROOM	W1	W2							F1	F1a	F2	F3	F4	F5	F6	F7	F8	F9	F10	F11	C1	C2	C3	C4	C5
D MEETING ROOM	W1	W2							F1	F1a	F2	F3	F4	F5	F6	F7	F8	F9	F10	F11	C1	C2	C3	C4	C5
E CORRIDOR	W1	W2							F1	F1a	F2	F3	F4	F5	F6	F7	F8	F9	F10	F11	C1	C2	C3	C4	C5
F TOILET ROOM	W2	W3							F1	F1a	F2	F3	F4	F5	F6	F7	F8	F9	F10	F11	C1	C2	C3	C4	C5

FINISHING SCHEDULE

REV.	DESCRIPTION - DESCRIZIONE	PREP'D - Red.	CHK'D - Contr.	APPR'D - Appr.	REV APPR'D - Appr.	DATE - Data
2	ISSUED FOR USE					05/08/20
1	ISSUED FOR USE					31/07/20
0	ISSUED FOR COMMENT					24/07/20

REVISIONS - Modifiche	
CONTRACTOR	COMPANY
TECHINT Engineering & Construction	VeniceLNG

PROJECT TITLE: VENICE LNG
 FEED - VENICE LNG TERMINAL (PORTO MARGHERA)
 BUILDING N.18, 19, 20
 ELECTRICAL, CONTROL&OFFICE BUILDING, WAREHOUSE
 PLANS LAYOUT

SCALE: 1:100	FORM: A1	CONTRACTOR DOC. N°: 0469-TITA-A-PW-001-001	REV. 2	SHT. 2	OF 2
--------------	----------	--	--------	--------	------

La TECHINT si riserva la proprietà di questo disegno con la proibizione di riprodurlo o trasferirlo a terzi senza autorizzazione scritta.
 This document is property of TECHINT. Reproduction and divulgation forbidden without written permission.