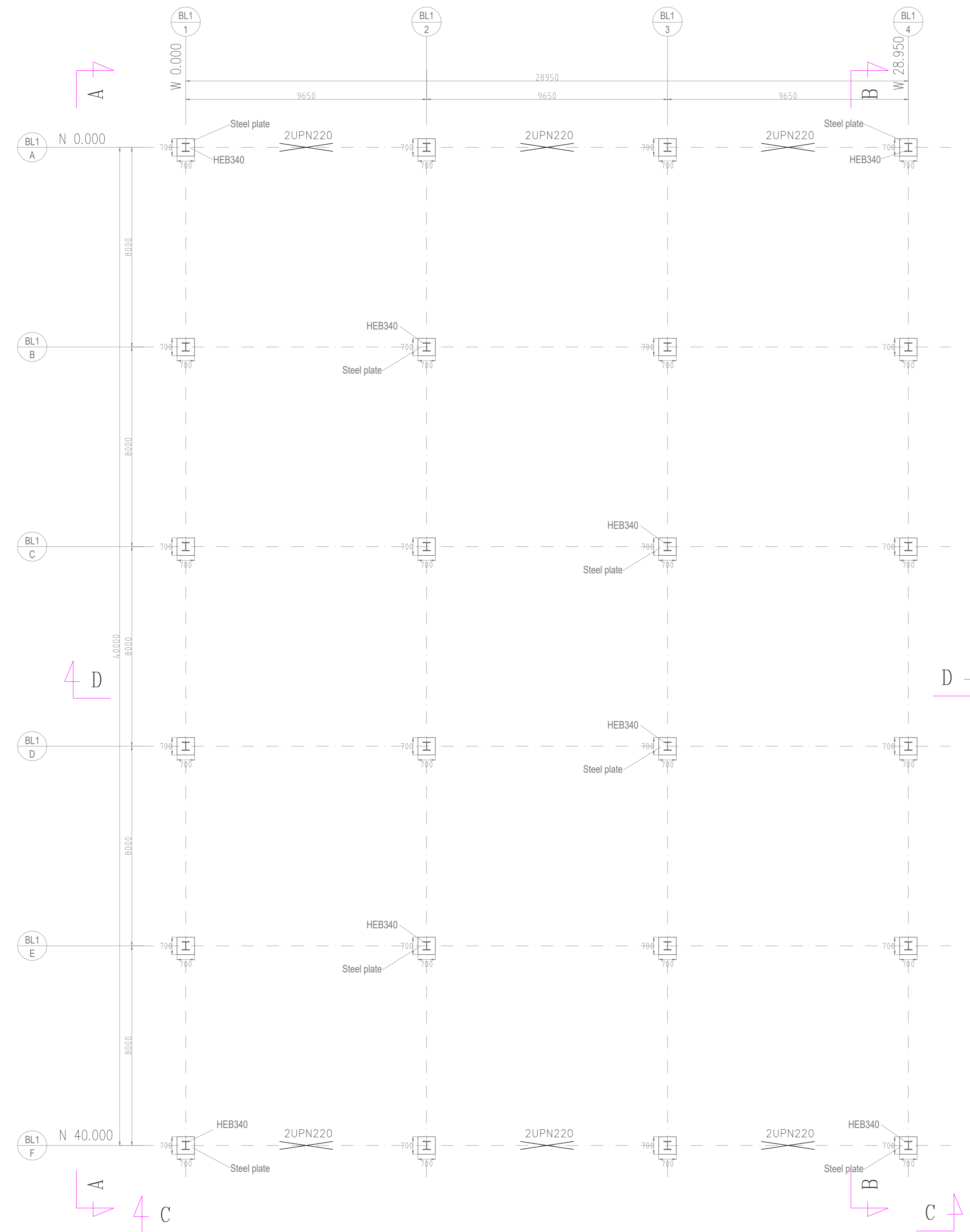


PLAN VIEW - EL. +0.250
SCALE 1:100



PLAN VIEW - EL. +4.250
SCALE 1:100



REFERENCE DRAWINGS / DISEGNI DI RIFERIMENTO	
DWG. N° / N° DIS	DESCRIPTIONS / DESCRIZIONE
0469-TITA-P-PP-000-001	GENERAL PLOT PLAN
.....
.....
.....
.....

NOTES

- 1 - ALL DIMENSIONS AND ELEVATIONS ARE IN M.
- 2 - THE REFERENCE ELEVATION ± 0.000 M CORRESPONDES TO +2.500 M A.S.L.
- 3 - FOR BUILDING FOUNDATION REFER TO DOC. 0469-TITA-C-GD-000-001 GENERAL FOUNDATION PLAN

MATERIAL LIST

STEEL PROFILES S275JR
HIGH STRENGTH BOLTS CI.8.8 - NUT CI.8

LEGEND

- G.L. = GRADE LEVEL
- B.O.P. = BOTTOM OF PLATE
- T.O.C. = TOP OF CONCRETE
- B.O.S. = BOTTOM OF STEEL
- T.O.S. = TOP OF STEEL
- ▶ MOMENT CONNECTION IN THE PLAN
- ▶ MOMENT CONNECTION IN THE ELEVATION
- ┆ SHEAR CONNECTION

THE INFORMATION CONTAINED IN THIS DRAWING IS TO BE CONSIDERED PRELIMINARY AND SHALL BE DULY VERIFIED DURING THE DETAIL DESIGN PHASE

REV.	DESCRIPTION - Descrizione	PREP. - Red.	CHKD. - Contr.	APPRD. - Appr.	REV. APPR. - Appr.	DATE - Data
00	FOR COMMENTS	LRG	GCA	DMR	CMA	24/05/20

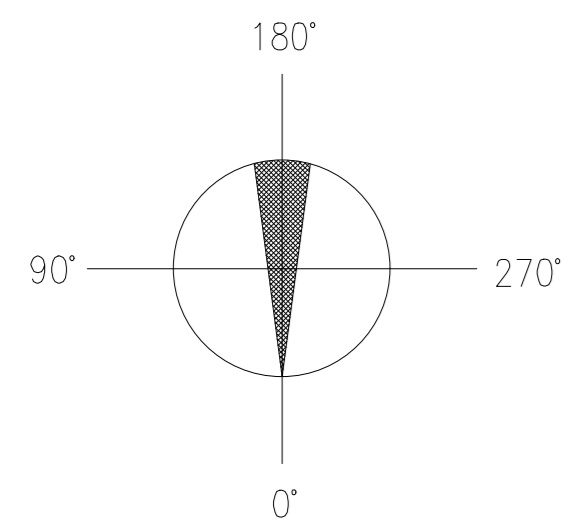
CONTRACTOR **VeniceLNG** COMPANY **TECHINT Engineering & Construction**

JOB NUMBER: COMPANY DOC. N° _____ REV. _____
PROJECT TITLE: VENICE LNG
PROGETTO: FEED - VENICE LNG TERMINAL (PORTO MARGHERA)

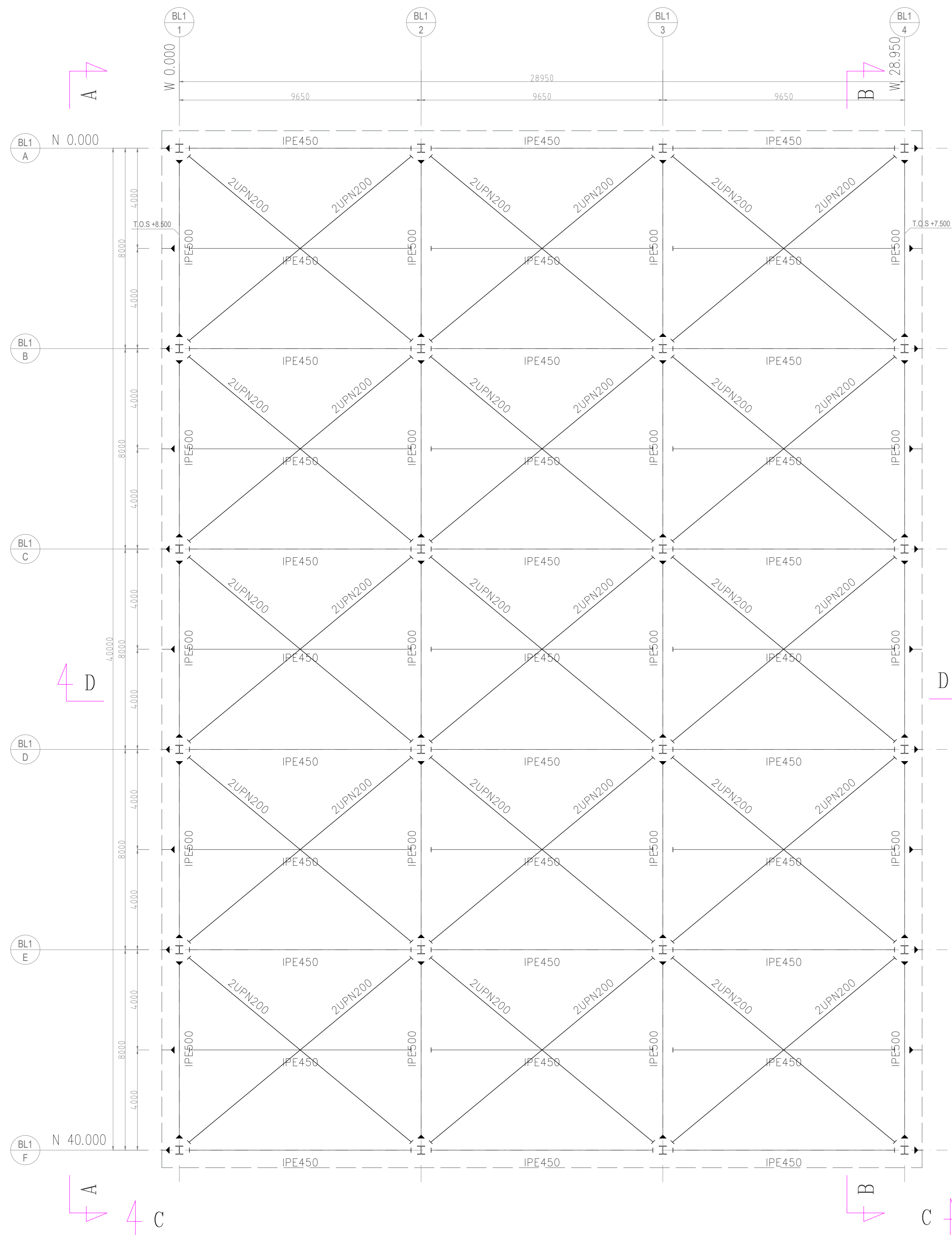
TITLE: TRUCK LOADING STATION
STRUTTURE ACCIAIE
Piani e sezioni

SCALE: 1:100	FORMA: A1	CONTRACTOR DOC. N°: 0469-TITA-S-DD-001-002	REV. 00	SHT. 1	OF 3
--------------	-----------	--	---------	--------	------

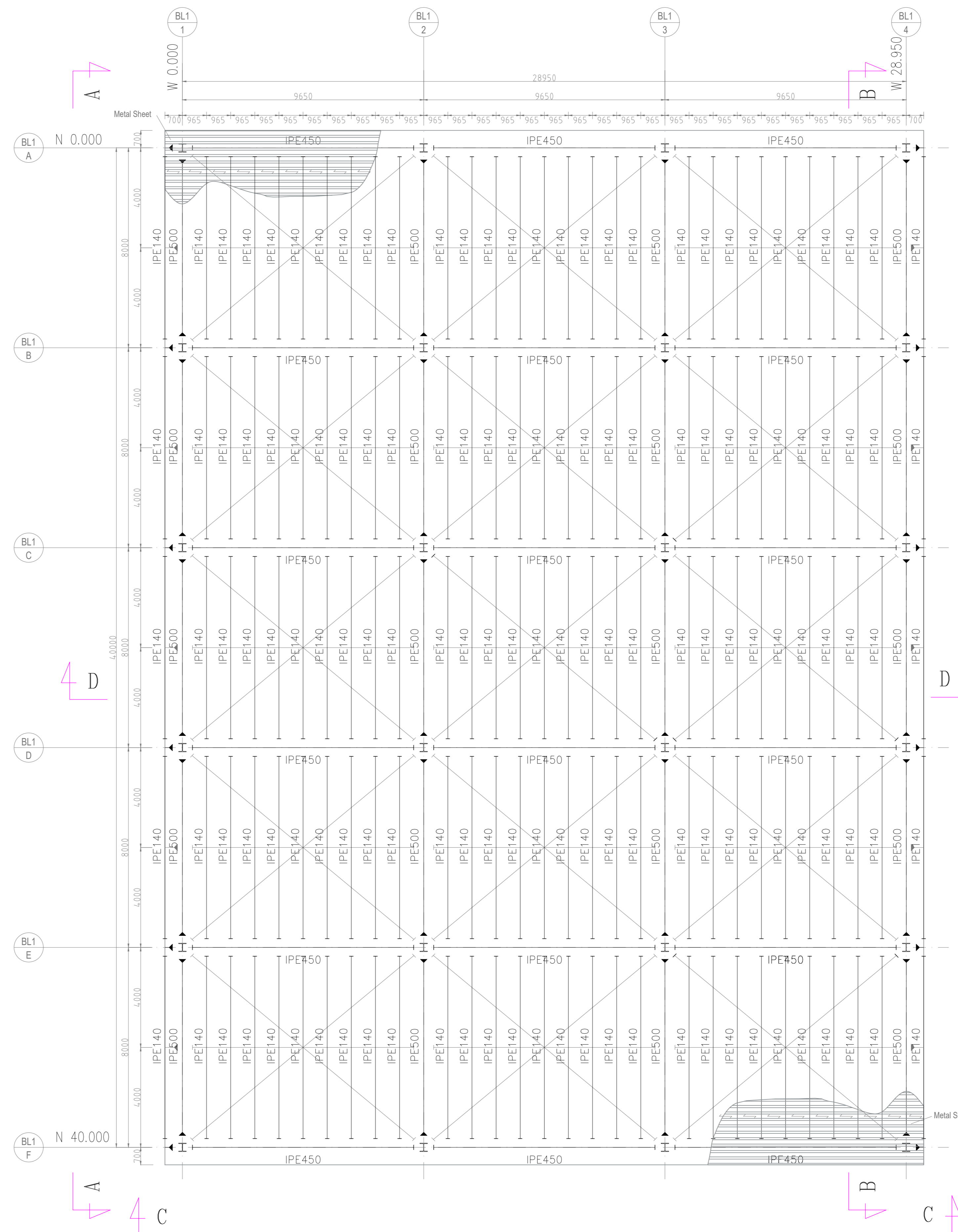
La TECHINT si riserva la proprietà di questo disegno con la proibizione di riprodurlo o trasferirlo a terzi senza autorizzazione scritta. This document is property of TECHINT. Reproduction and divulgation forbidden without written permission.



PLAN VIEW - EL. +8.500 / +7.500
SCALE 1:100



PLAN VIEW - EL. +8.650 / +7.650
SCALE 1:100



REFERENCE DRAWINGS / DISEGNI DI RIFERIMENTO	
DWG. N° / N° DIS	DESCRIPTIONS / DESCRIZIONE
0469-TITA-P-PP-000-001	GENERAL PLOT PLAN
.....
.....
.....
.....

- NOTES**
- 1 - ALL DIMENSIONS AND ELEVATIONS ARE IN M.
 - 2 - THE REFERENCE ELEVATION ± 0.000 M CORRESPONDES TO +2.500 M A.S.L.
 - 3 - FOR BUILDING FOUNDATION REFER TO DCC. 0469-TITA-C-GD-000-001 GENERAL FOUNDATION PLAN

MATERIAL LIST

STEEL PROFILES S275JR
HIGH STRENGTH BOLTS CI.8.8 - NUT CI.8

- LEGEND**
- G.L. = GRADE LEVEL
 - B.O.P. = BOTTOM OF PLATE
 - T.O.C = TOP OF CONCRETE
 - B.O.S = BOTTOM OF STEEL
 - T.O.S = TOP OF STEEL
 - ▶ MOMENT CONNECTION IN THE PLAN
 - ▶ MOMENT CONNECTION IN THE ELEVATION
 - ┆ SHEAR CONNECTION

THE INFORMATION CONTAINED IN THIS DRAWING IS TO BE CONSIDERED PRELIMINARY AND SHALL BE DULY VERIFIED DURING THE DETAIL DESIGN PHASE

REV.	DESCRIPTION	PREP	CHKD	APPD	DATE
00	FOR COMMENTS	LRG	OCA	DMR	24/05/20

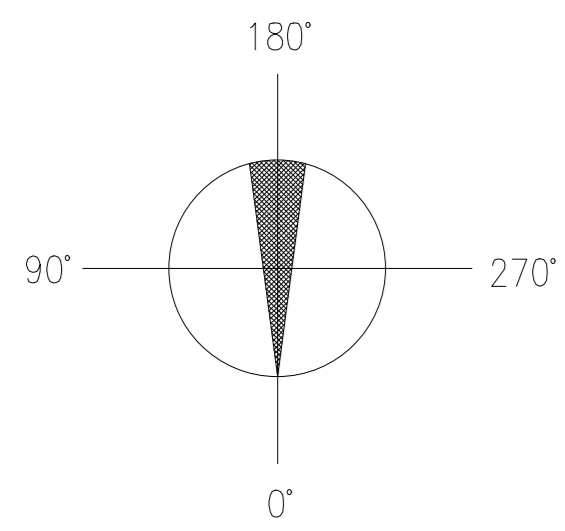
CONTRACTOR: **VeniceLNG** COMPANY: **TECHINT Engineering & Construction**

PROJECT TITLE: VENICE LNG FEED - VENICE LNG TERMINAL (PORTO MARGHERA)

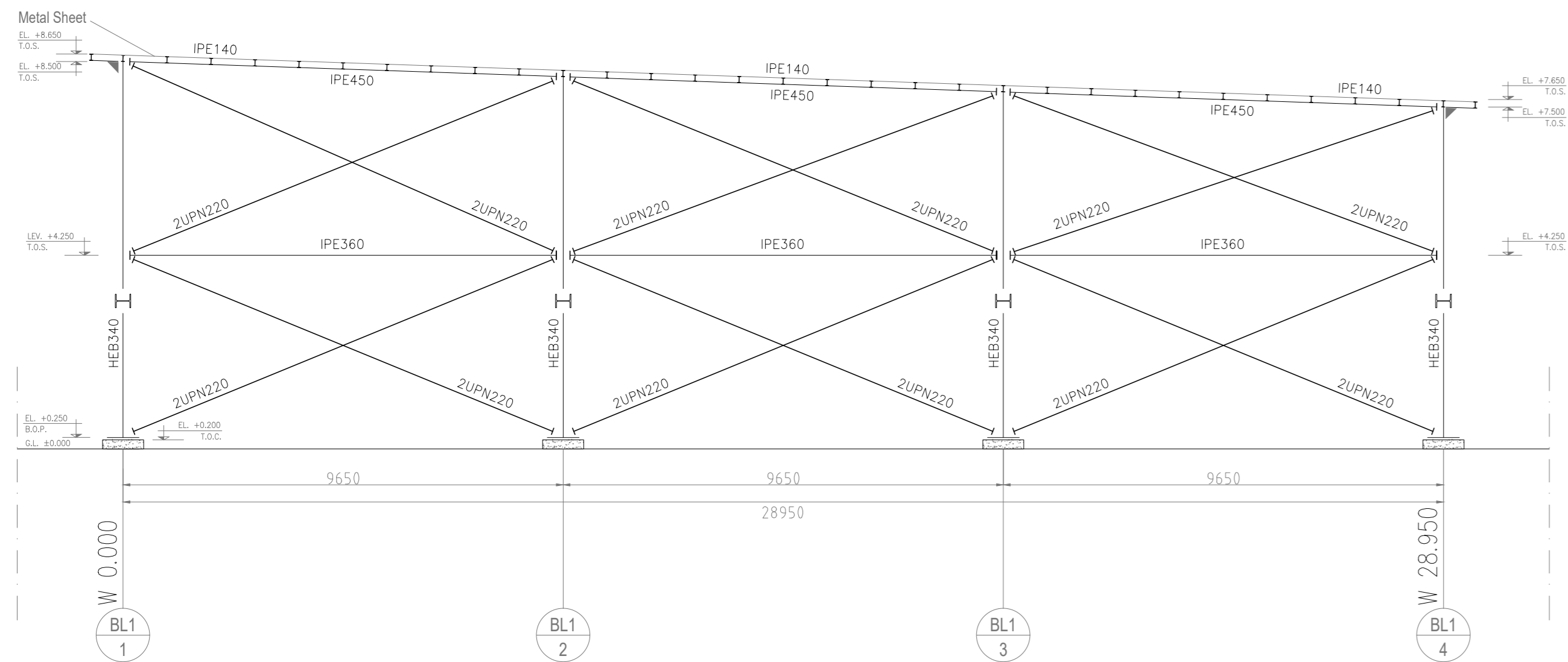
TITLE: TRUCK LOADING STATION STEEL STRUCTURES PLAN AND SECTIONS

SCALE: 1:100 FORM: A1 CONTRACTOR DOC. N°: 0469-TITA-S-DD-001-002 REV. 00 SH. 2 OF 3

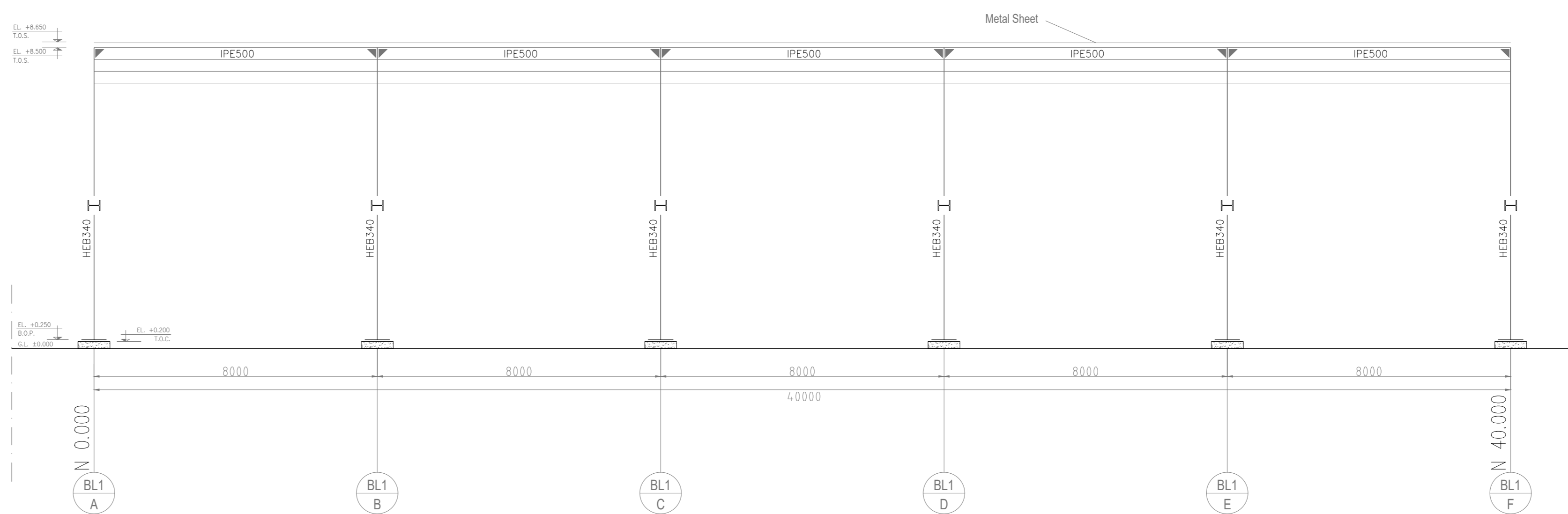
La TECHINT si riserva la proprietà di questo disegno con la proibizione di riprodurlo o trasferirlo a terzi senza autorizzazione scritta. This document is property of TECHINT. Reproduction and divulgation forbidden without written permission.



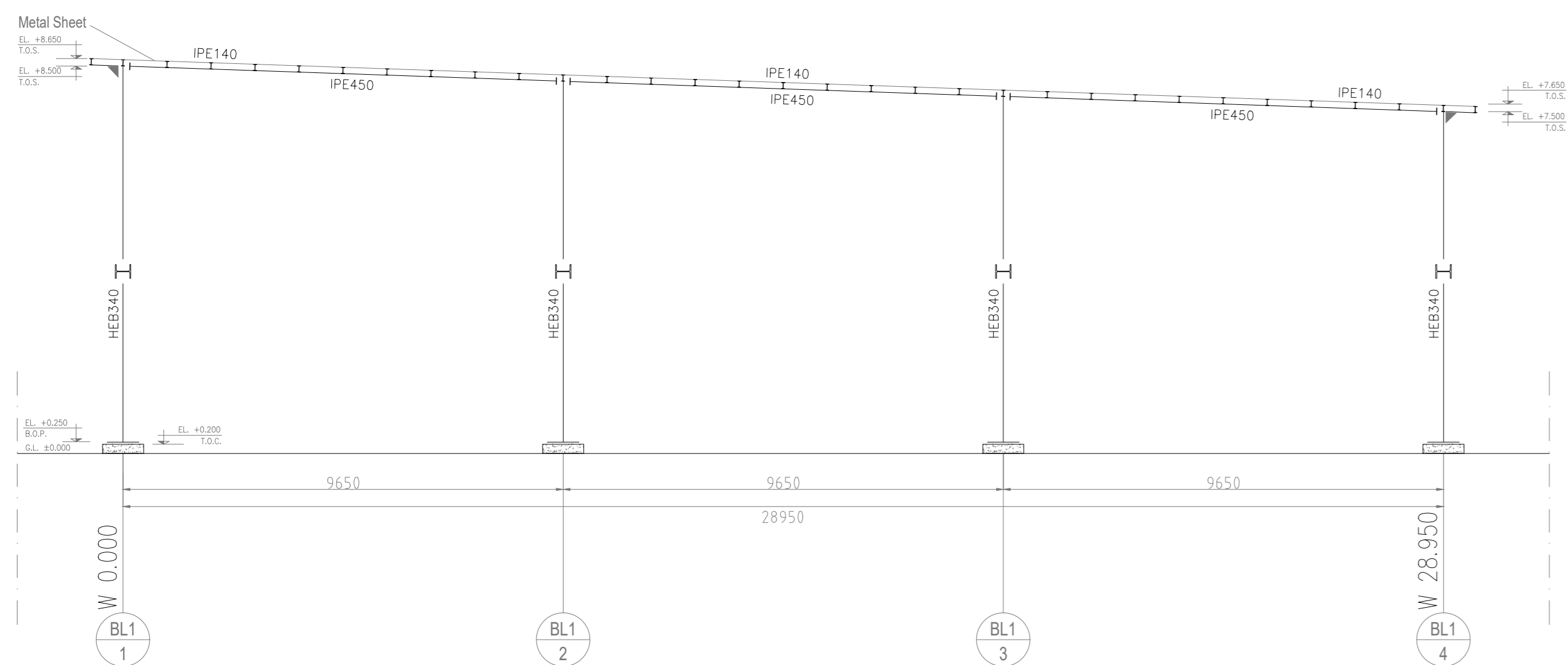
VIEW C-C
SCALE 1:100



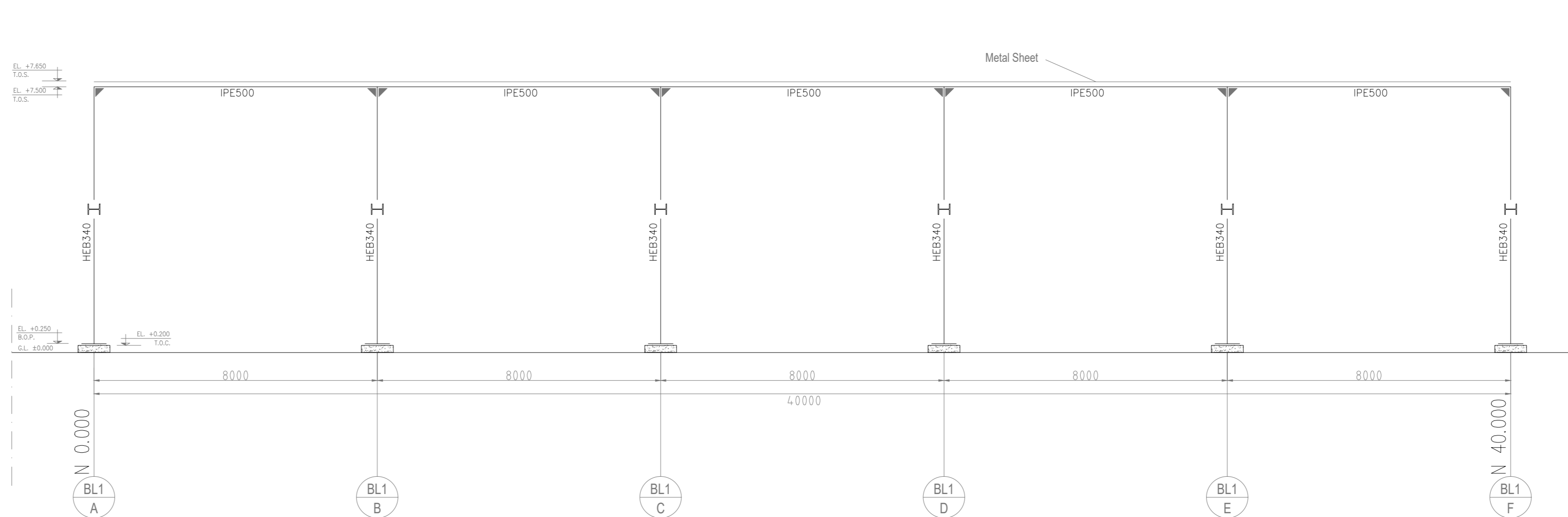
VIEW A-A
SCALE 1:100



VIEW D-D
SCALE 1:100



VIEW B-B
SCALE 1:100



REFERENCE DRAWINGS / DISEGNI DI RIFERIMENTO

DWG. N° / N° DIS	DESCRIPTIONS / DESCRIZIONE
0469-TITA-P-PP-000-001	GENERAL PLOT PLAN
.....
.....
.....
.....

NOTES

- 1 - ALL DIMENSIONS AND ELEVATIONS ARE IN M.
- 2 - THE REFERENCE ELEVATION ± 0.000 M CORRESPONDES TO +2.500 M A.S.L.
- 3 - FOR BUILDING FOUNDATION REFER TO DOC. 0469-TITA-C-GD-000-001 GENERAL FOUNDATION PLAN

MATERIAL LIST

STEEL PROFILES S275JR
HIGH STRENGTH BOLTS CI.8.8 ; NUT CI.8

LEGEND

- G.L. = GRADE LEVEL
- B.O.P. = BOTTOM OF PLATE
- T.O.C = TOP OF CONCRETE
- B.O.S = BOTTOM OF STEEL
- T.O.S = TOP OF STEEL
- ▶ MOMENT CONNECTION IN THE PLAN
- ▲ MOMENT CONNECTION IN THE ELEVATION
- ┆ SHEAR CONNECTION

THE INFORMATION CONTAINED IN THIS DRAWING IS TO BE CONSIDERED PRELIMINARY AND SHALL BE DULY VERIFIED DURING THE DETAIL DESIGN PHASE

---	---	---	---	---	---
---	---	---	---	---	---
---	---	---	---	---	---
---	---	---	---	---	---

00	FOR COMMENTS	LRG	GCA	DMR	DMA	24/05/20
REV.	DESCRIPTION - Descrizione	PREP.	CHKD.	CONTR.	APPD.	DATE

REVISIONS - Modifiche

CONTRACTOR		COMPANY	
------------	--	---------	--

JOB NUMBER: COMPANY DOC. N° _____ REV. _____

PROJECT TITLE: VENICE LNG
PROGETTO: FEED - VENICE LNG TERMINAL (PORTO MARGHERA)

TITLE: TRUCK LOADING STATION
STEEL STRUCTURES
PLAN AND SECTIONS

SCALE: VARIES	FORM: A1	CONTRACTOR DOC. N°: 0469-TITA-S-DD-001-002	REV: 00	SHT. OF: 3
CAD FILE N°				

La TECHINT si riserva la proprietà di questo disegno con la proibizione di riprodurre o trasferirlo a terzi senza autorizzazione scritta. This document is property of TECHINT. Reproduction and divulgation forbidden without written permission.