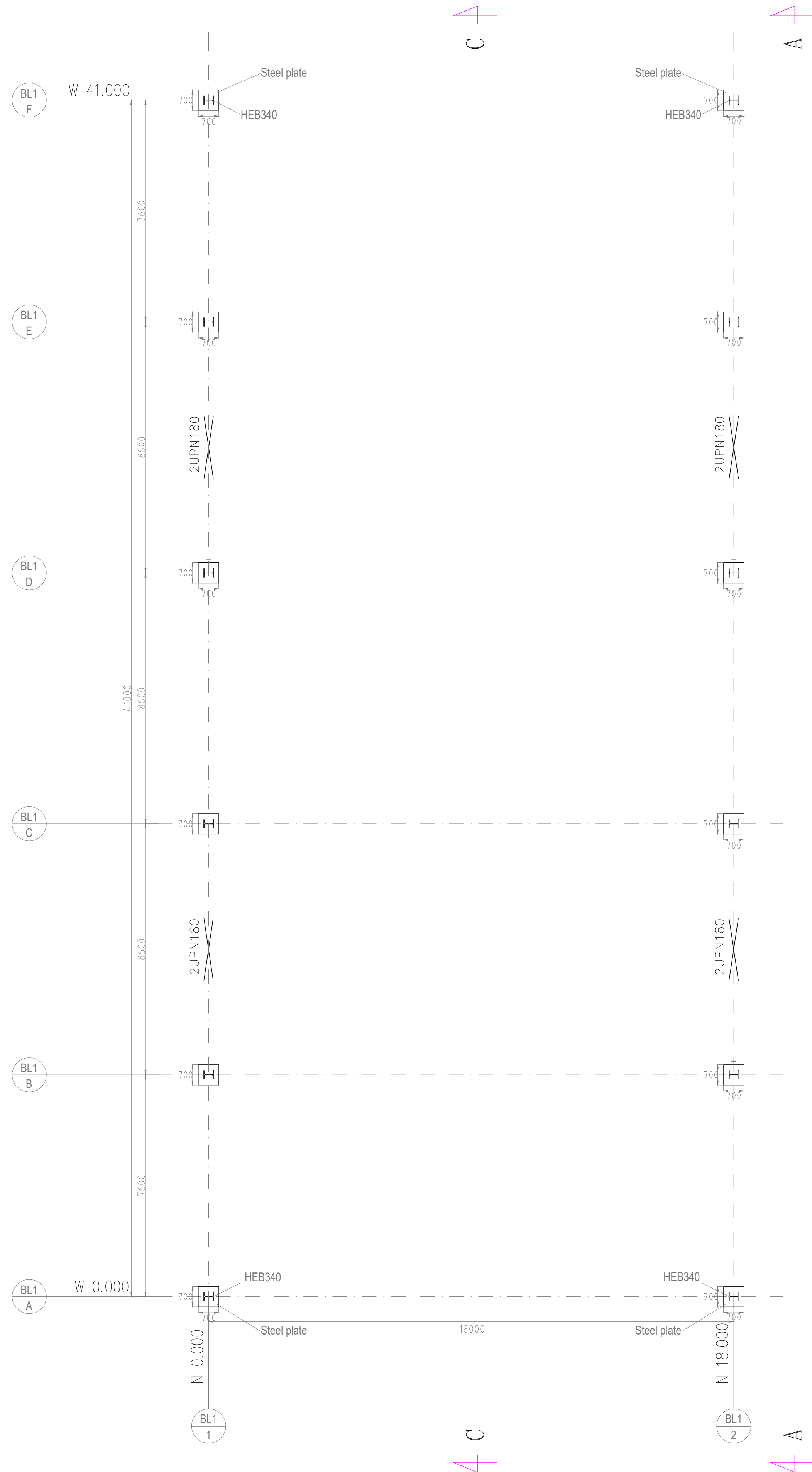
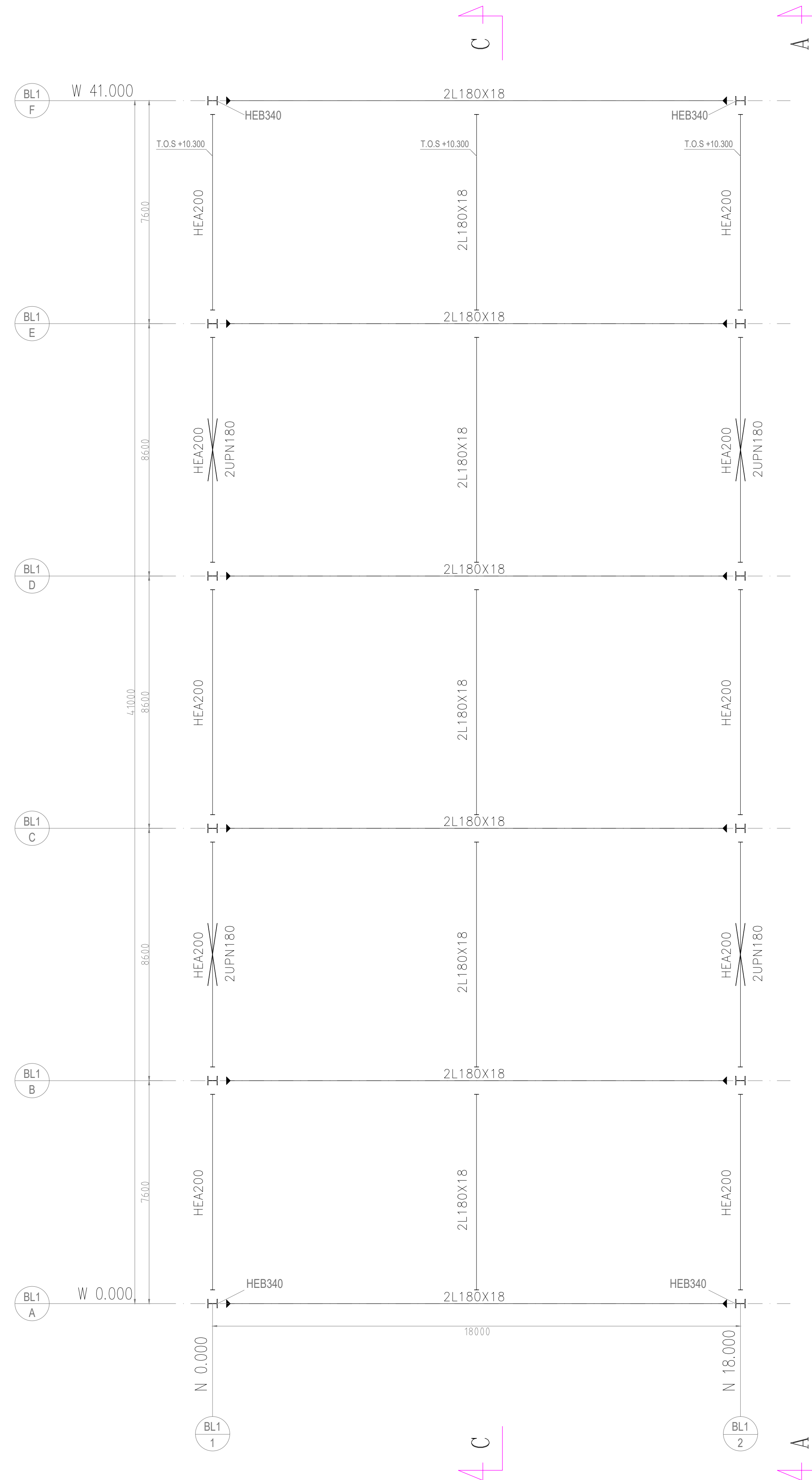


PLAN VIEW - EL. +1.600  
SCALE 1:100



PLAN VIEW - EL. +10.300  
SCALE 1:100



REFERENCE DRAWINGS / DISEGNI DI RIFERIMENTO

DWG. N° / N° DIS	DESCRIPTIONS / DESCRIZIONE
0469-TITA-P-PP-000-001	GENERAL PLOT PLAN
.....	.....
.....	.....
.....	.....
.....	.....

NOTES

- 1 - ALL DIMENSIONS AND ELEVATIONS ARE IN M.
- 2 - THE REFERENCE ELEVATION ± 0.000 M CORRESPONDES TO +2.500 M A.S.L.
- 3 - FOR BUILDING FOUNDATION REFER TO DOC. 0469-TITA-C-GD-000-001 GENERAL FOUNDATION PLAN

MATERIAL LIST

STEEL PROFILES S275JR  
HIGH STRENGTH BOLTS CI.8.8 ; NUT CI.8

LEGEND

- B.O.P. = BOTTOM OF PLATE
- B.O.S = BOTTOM OF STEEL
- T.O.S = TOP OF STEEL
- C.F.F = COMPRESSOR FLOOR FINISH
- ▶ MOMENT CONNECTION IN THE PLAN
- ▲ MOMENT CONNECTION IN THE ELEVATION
- ┌ SHEAR CONNECTION

THE INFORMATION CONTAINED IN THIS DRAWING IS TO BE CONSIDERED PRELIMINARY AND SHALL BE DULY VERIFIED DURING THE DETAIL DESIGN PHASE

REV.	DESCRIPTION - Descrizione	PREP'D - Red.	CHK'D - Contr.	APPR'D - Appr.	REV APPR'D - Appr.	DATE - Data
00	FOR COMMENTS	LRG	GCA	DMR	CMA	05/05/20

REVISIONS - Modifiche

CONTRACTOR	COMPANY
	<b>TECHINT</b> Engineering & Construction

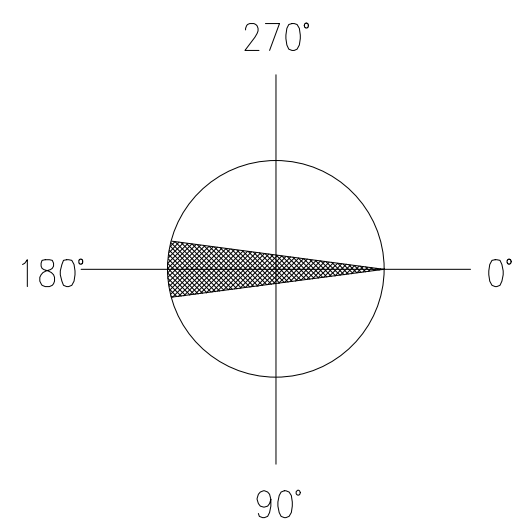
JOB NUMBER: COMPANY DOC. N° \_\_\_\_\_ REV. REVISIONE: \_\_\_\_\_

PROJECT TITLE: VENICE LNG  
FEED - VENICE LNG TERMINAL (PORTO MARGHERA)

TITLE: COMPRESSOR BUILDING  
STEEL STRUCTURES  
PLAN, VIEW AND SECTION

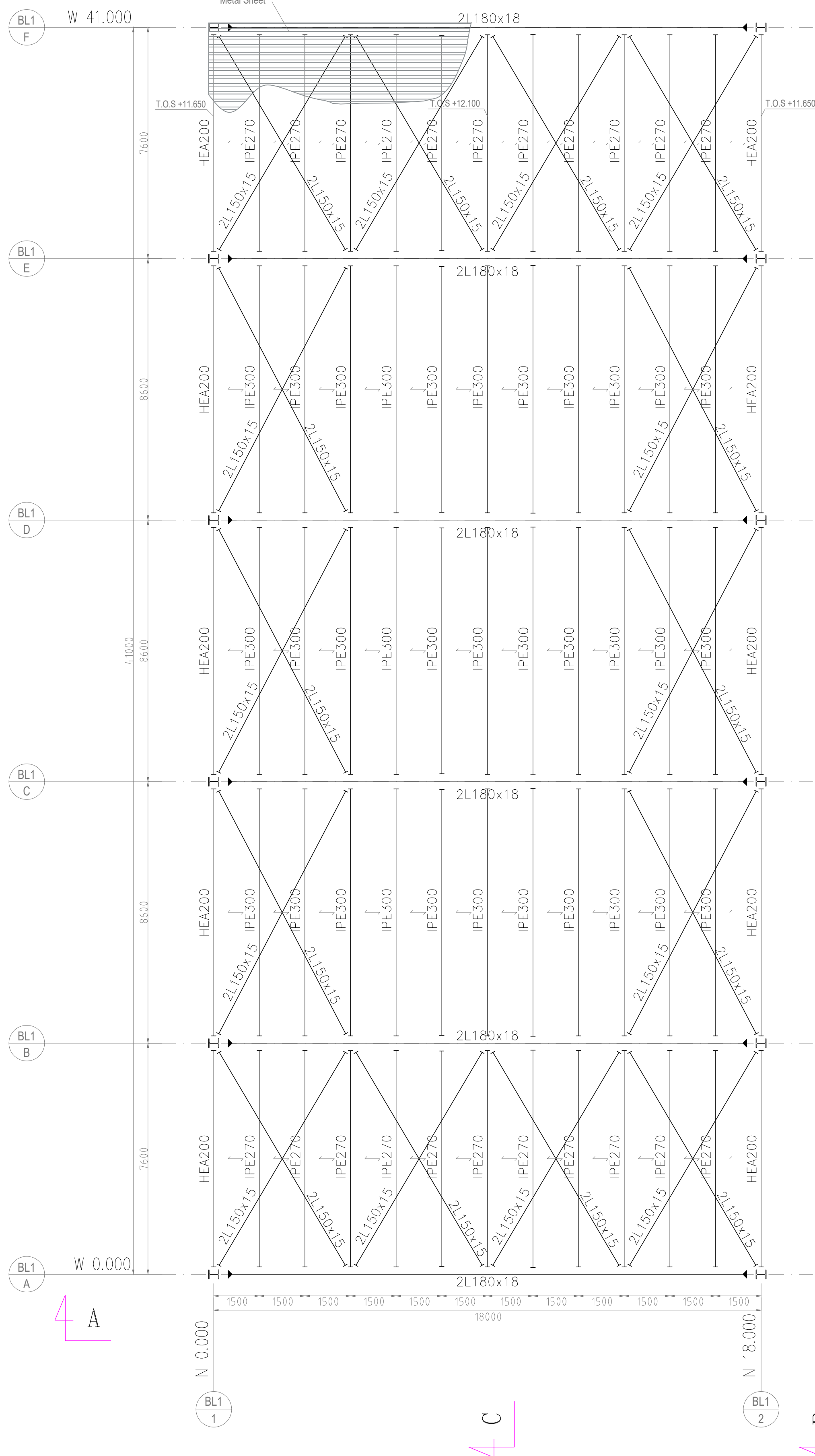
SCALE: 1:100	FORM: A1	CONTRACTOR DOC. N°: 0469-TITA-S-DD-001-004	REV. 00	SHT. OF 1 di 3
--------------	----------	--	---------	----------------

CAD FILE N° \_\_\_\_\_  
La TECHINT si riserva la proprietà di questo disegno con la proibizione di riprodurlo o trasferirlo a terzi senza autorizzazione scritta. This document is property of TECHINT. Reproduction and divulgation forbidden without written permission.



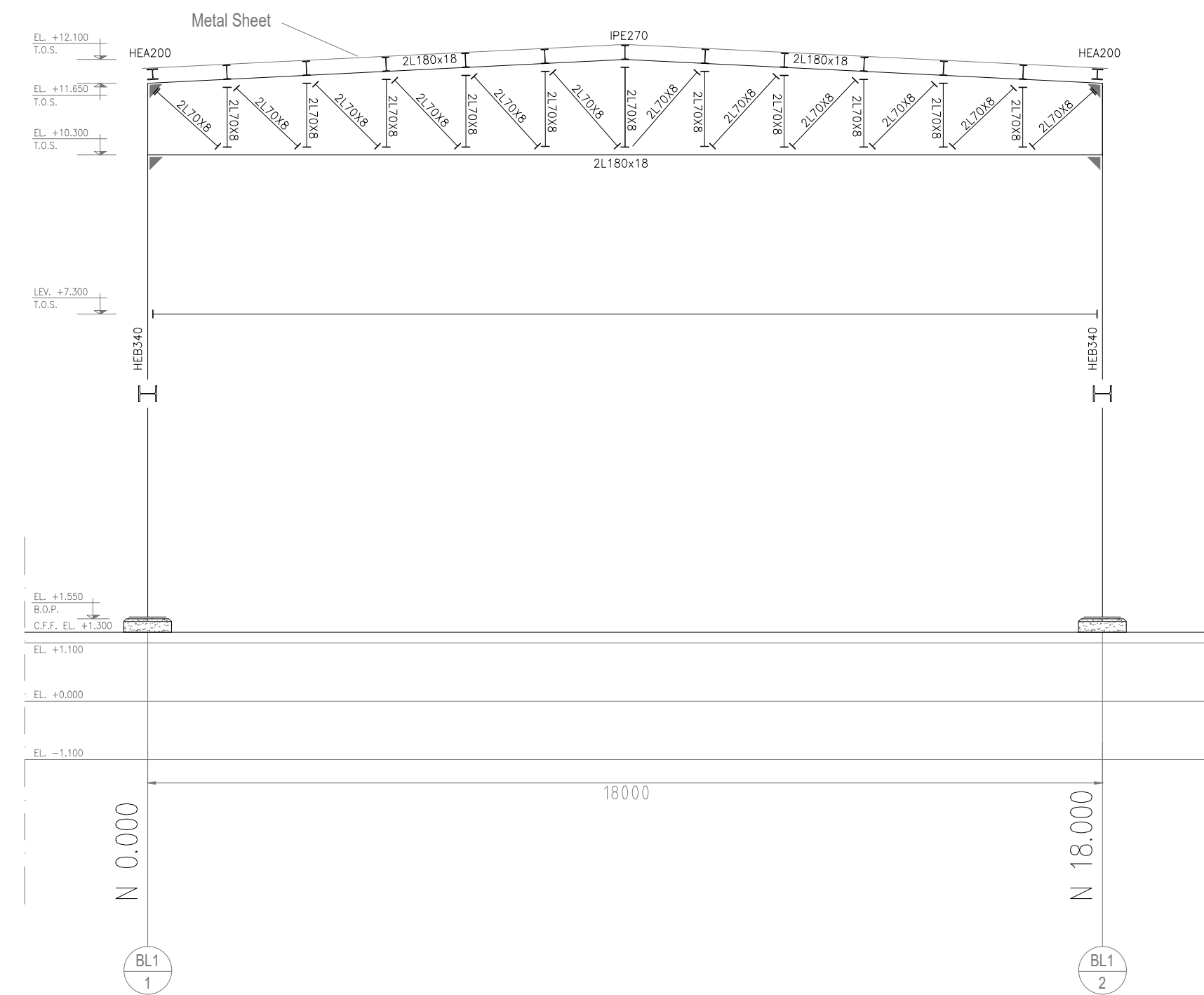
PLAN VIEW - EL. +12.600

SCALE 1:100



VIEW A-A

SCALE 1:100



REFERENCE DRAWINGS / DISEGNI DI RIFERIMENTO

DWG. N° / N° DIS	DESCRIPTIONS / DESCRIZIONE
0469-TITA-P-PP-000-001	GENERAL PLOT PLAN
.....	.....
.....	.....
.....	.....
.....	.....

NOTES

- 1 - ALL DIMENSIONS AND ELEVATIONS ARE IN M.
- 2 - THE REFERENCE ELEVATION ± 0.000 M CORRESPONDES TO +2.500 M A.S.L.
- 3 - FOR BUILDING FOUNDATION REFER TO DOC. 0469-TITA-C-GD-000-001 GENERAL FOUNDATION PLAN

MATERIAL LIST

STEEL PROFILES S275JR  
HIGH STRENGTH BOLTS CI.8.8 ; NUT CI.8

LEGEND

- B.O.P. = BOTTOM OF PLATE
- B.O.S = BOTTOM OF STEEL
- T.O.S = TOP OF STEEL
- C.F.F = COMPRESSOR FLOOR FINISH
- ▶ MOMENT CONNECTION IN THE PLAN
- ▲ MOMENT CONNECTION IN THE ELEVATION
- ┆ SHEAR CONNECTION

THE INFORMATION CONTAINED IN THIS DRAWING IS TO BE CONSIDERED PRELIMINARY AND SHALL BE DULY VERIFIED DURING THE DETAIL DESIGN PHASE

REV.	DESCRIPTION - Descrizione	PREP'D - Red.	CHK'D - Contr.	APP'D - Appr.	REV APP'D - Appr.	DATE - Data
00	FOR COMMENTS	LRG	GCA	DMR	CMA	05/05/20

REVISIONS - Modifiche

CONTRACTOR		COMPANY	
------------	--	---------	--

JOB NUMBER: COMPANY DOC. N° \_\_\_\_\_ REV. \_\_\_\_\_

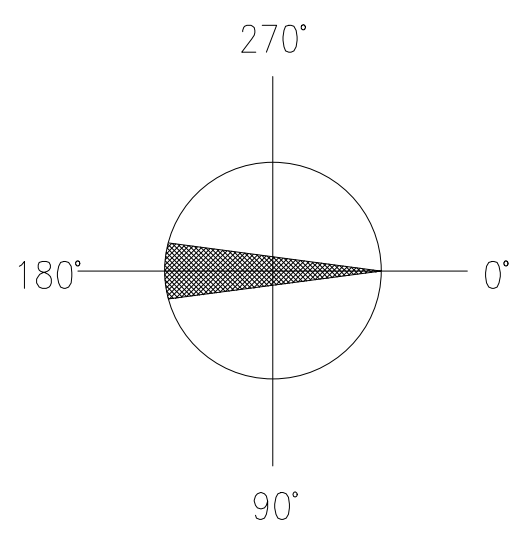
PROJECT TITLE: VENICE LNG  
FEED - VENICE LNG TERMINAL (PORTO MARGHERA)

TITLE: COMPRESSOR BUILDING  
STEEL STRUCTURES  
PLAN, VIEW AND SECTION

SCALE: 1:100	FORM: A1	CONTRACTOR DOC. N°: 0469-TITA-S-DD-001-004	REV. 00	SHT. OF 3
--------------	----------	--	---------	-----------

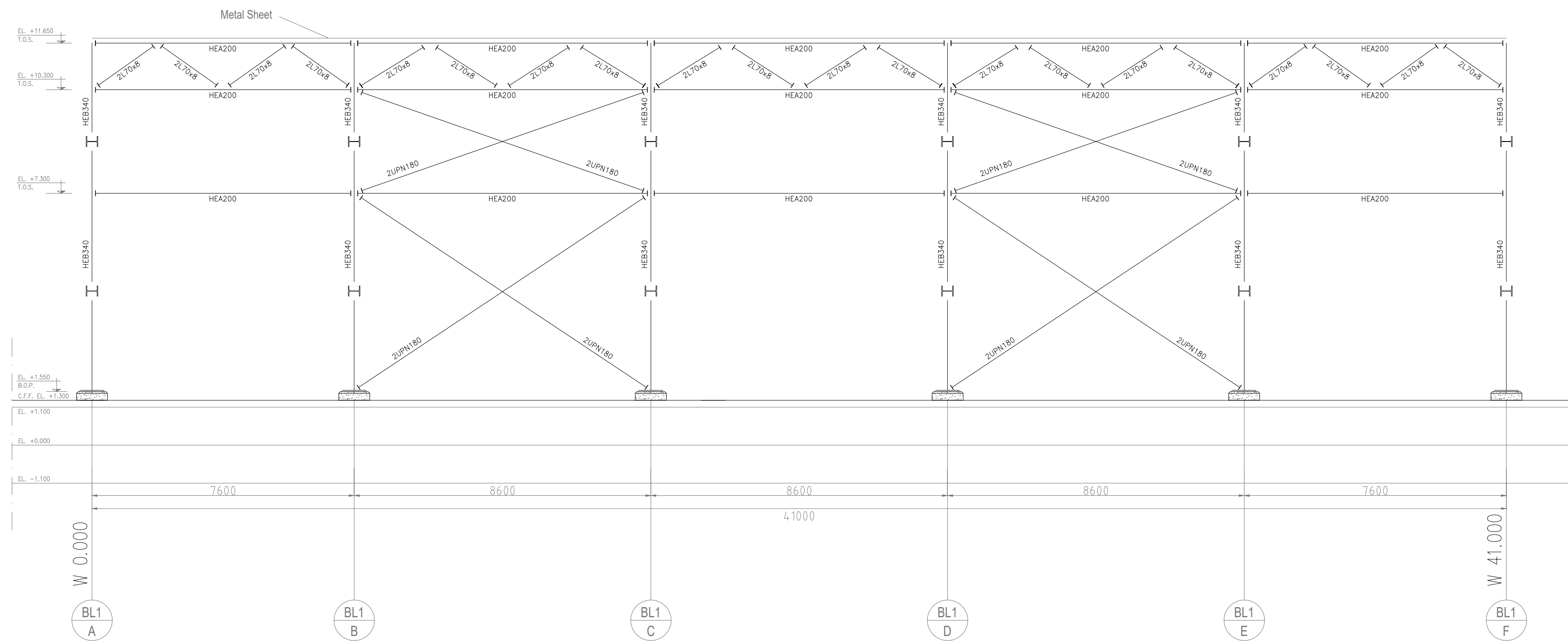
CAD FILE N° \_\_\_\_\_

La TECHINT si riserva la proprietà di questo disegno con la proibizione di riprodurlo o trasferirlo a terzi senza autorizzazione scritta. This document is property of TECHINT. Reproduction and divulgation forbidden without written permission.



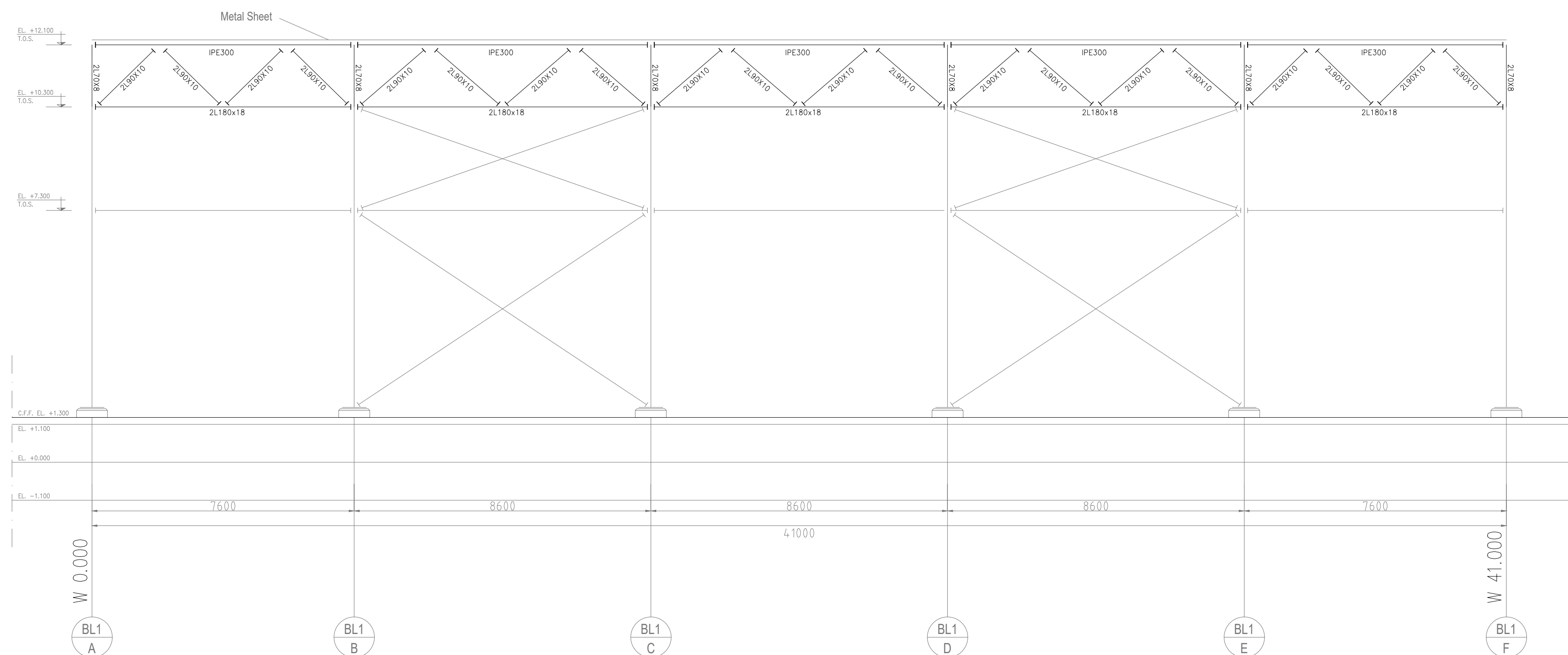
VIEW B-B

SCALE 1:100



VIEW C-C

SCALE 1:100



REFERENCE DRAWINGS / DISEGNI DI RIFERIMENTO

DWG. N° / N° DIS	DESCRIPTIONS / DESCRIZIONE
0469-TITA-P-PP-000-001	GENERAL PLOT PLAN
.....	.....
.....	.....
.....	.....
.....	.....

NOTES

- 1 - ALL DIMENSIONS AND ELEVATIONS ARE IN M.
- 2 - THE REFERENCE ELEVATION ± 0.000 M CORRESPONDES TO +2.500 M A.S.L.
- 3 - FOR BUILDING FOUNDATION REFER TO DOC. 0469-TITA-C-GD-000-001 GENERAL FOUNDATION PLAN

MATERIAL LIST

STEEL PROFILES S275JR  
HIGH STRENGTH BOLTS CI.8.8 ; NUT CI.8

LEGEND

- B.O.P. = BOTTOM OF PLATE
- B.O.S = BOTTOM OF STEEL
- T.O.S = TOP OF STEEL
- C.F.F = COMPRESSOR FLOOR FINISH
- ▶ MOMENT CONNECTION IN THE PLAN
- ▶ MOMENT CONNECTION IN THE ELEVATION
- | SHEAR CONNECTION

THE INFORMATION CONTAINED IN THIS DRAWING IS TO BE CONSIDERED PRELIMINARY AND SHALL BE DULY VERIFIED DURING THE DETAIL DESIGN PHASE

---						
---						
---						
---						
OO	FOR COMMENTS	LRG	GCA	DMR	CMA	05/05/20
REV.	DESCRIPTION - Descrizione	PREP'D - Red.	CHK'D - Contr.	APPR'D - Appr.	PER APPR'D - Appr.	DATE - Data

REVISIONS - Modifiche

CONTRACTOR		COMPANY	
JOB NUMBER:	COMPANY DOC. N°	REV.	REVISIONE

PROJECT TITLE / PROGETTO: VENICE LNG  
FEED - VENICE LNG TERMINAL (PORTO MARGHERA)

TITLE / TITOLO: COMPRESSOR BUILDING  
STEEL STRUCTURES  
PLAN, VIEW AND SECTION

SCALE / SCALA:	FORM / FORMATO:	CONTRACTOR DOC. N°	REV.	SHT. OF
VARIABLES	A1	0469-TITA-S-DD-001-004	00	Fg. 3 di 3
CAD FILE N°				