

REFERENCE DRAWINGS / DISEGNI DI RIFERIMENTO	
DWG. N° / N° DIS	DESCRIPTIONS / DESCRIZIONE
0469-TITA-P-PP-000-001	General Plot Plan
0469-TITA-S-DD-001-001	LNG berth Loading platform - Steel structures - Plan and sections
.....	.....
.....	.....
.....	.....

**NOTES**

1 - ALL DIMENSIONS ARE IN MM AND ALL ELEVATIONS ARE IN M.  
2 - THE REFERENCE ELEVATION ± 0.000 M CORRESPONDES TO +2.500 M A.S.L.

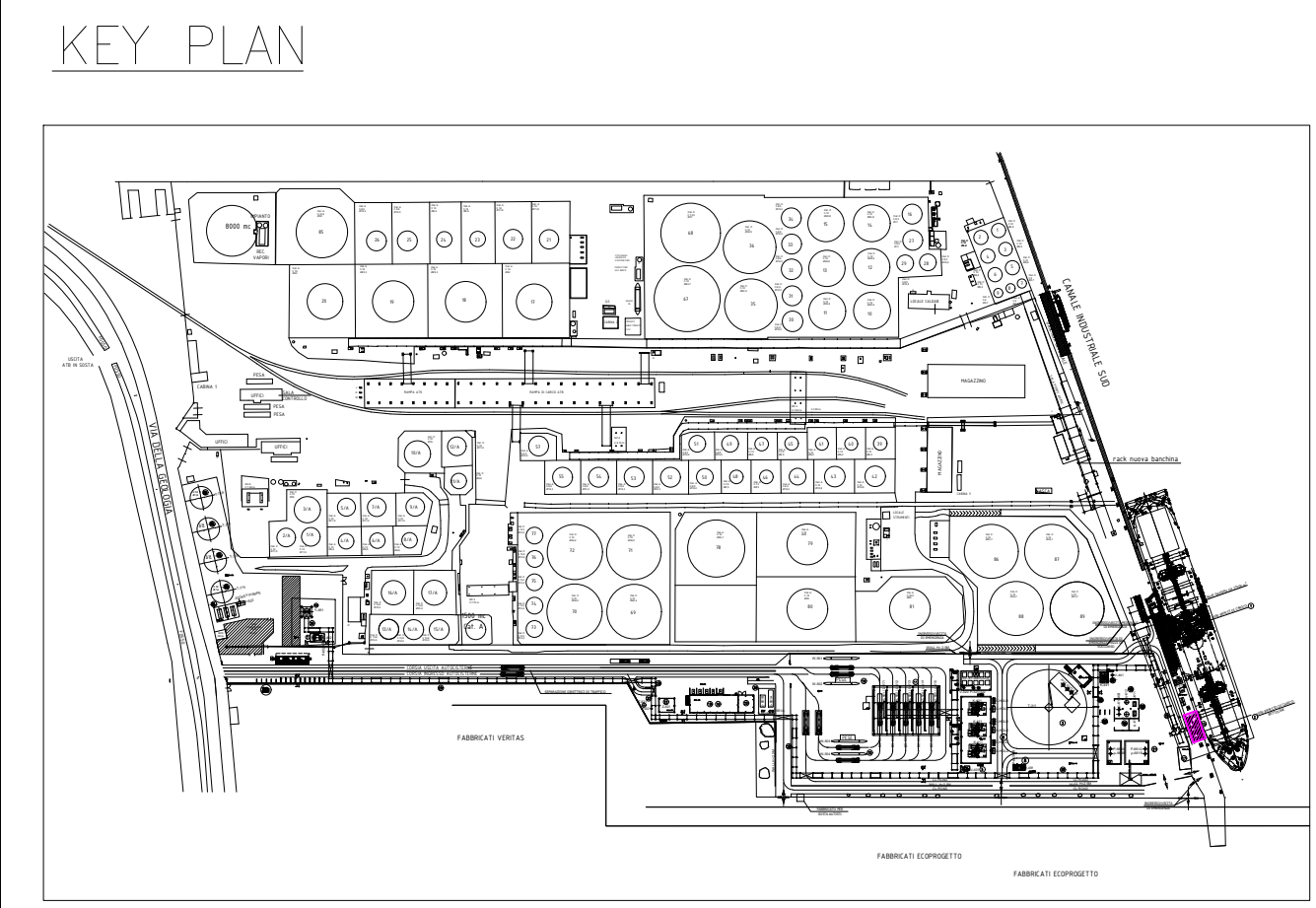
**MATERIAL LIST**

- LEAN CONCRETE  
RESISTANCE CLASS C12/15, Rck ≥ 15 N/mm<sup>2</sup>
- CONCRETE FOUNDATIONS  
EXPOSURE CLASS= XA2, XS1  
RESISTANCE CLASS MIN. C35/45, Rck ≥ 45 N/mm<sup>2</sup>;  
CONSISTENCY CLASS S4;  
RATIO (WATER/CEMENT)<sub>max</sub> = 0.45;  
CEMENT DOSAGE min. = 360 kg/m<sup>3</sup>;  
MINIMUM CONCRETE COVER= 35 mm + 10 mm = 45 mm
- GROUT  
GROUT SHALL BE NON-SHRINK CEMENTITIOUS GROUT  
50 mm FOR PLATES, STRIPS, BASE RINGS, ETC.

**LEGEND**

B.O.C. = BOTTOM OF CONCRETE  
T.O.C. = TOP OF CONCRETE  
H.P.P. = HIGH PAVEMENT POINT

THE INFORMATION CONTAINED IN THIS DRAWING IS TO BE CONSIDERED PRELIMINARY AND SHALL BE DULY VERIFIED DURING THE DETAIL DESIGN PHASE



NO	DESCRIPTION - Descrizione	PRP/D-Req.	CH/D - Contr.	APP/D - Appr.	REV APP/D - Appr.	DATE - Data
00	FOR COMMENTS	SQL	CCA	DMR	CMA	31/07/20

CONTRACTOR: **TECHINT** Engineering & Construction

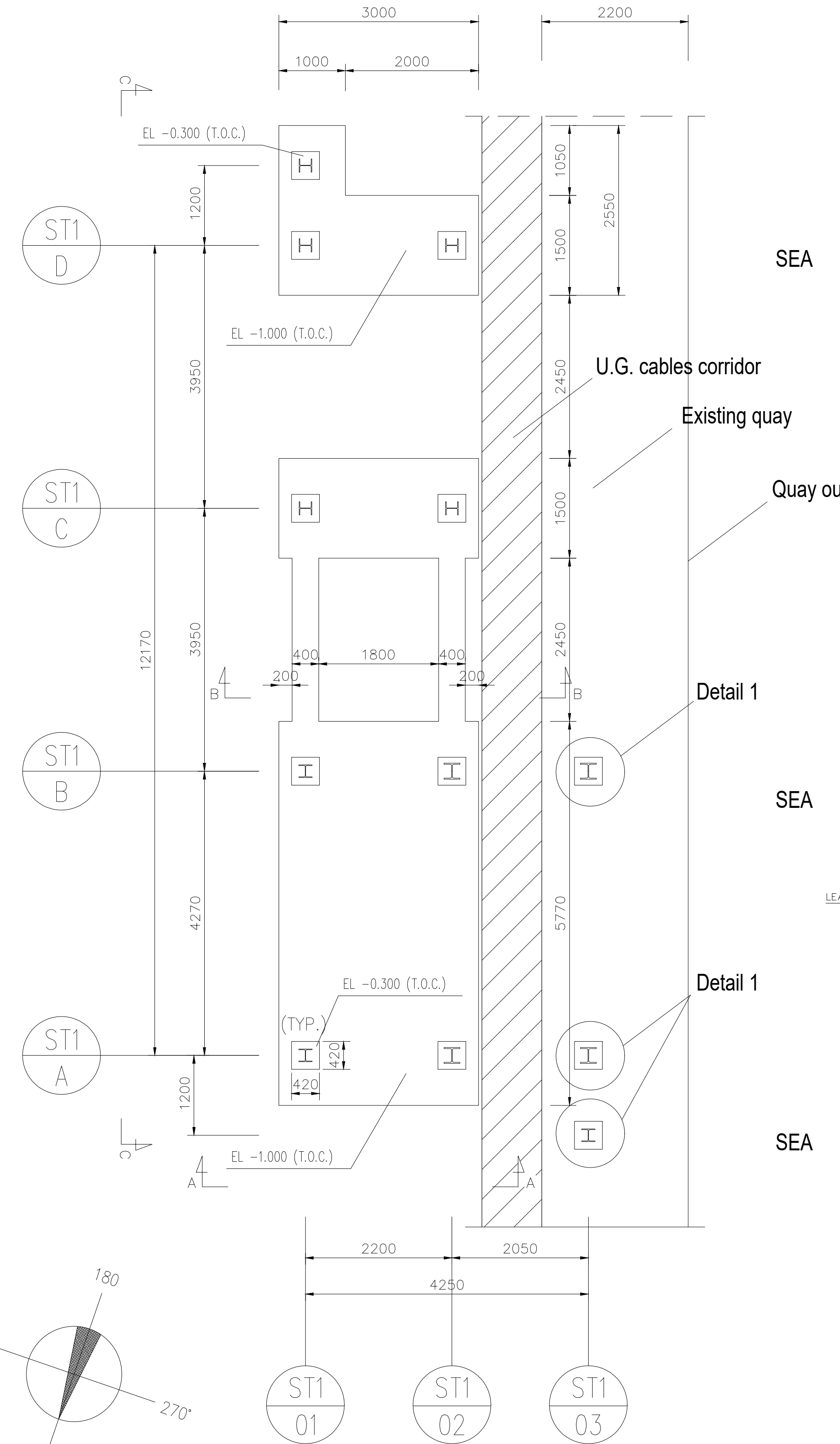
COMPANY: **VeniceLNG**

PROJECT TITLE: **VENICE LNG FEED - VENICE LNG TERMINAL (PORTO MARGHERA) LNG BERTH LOADING PLATFORM FOUNDATION FORMWORK**

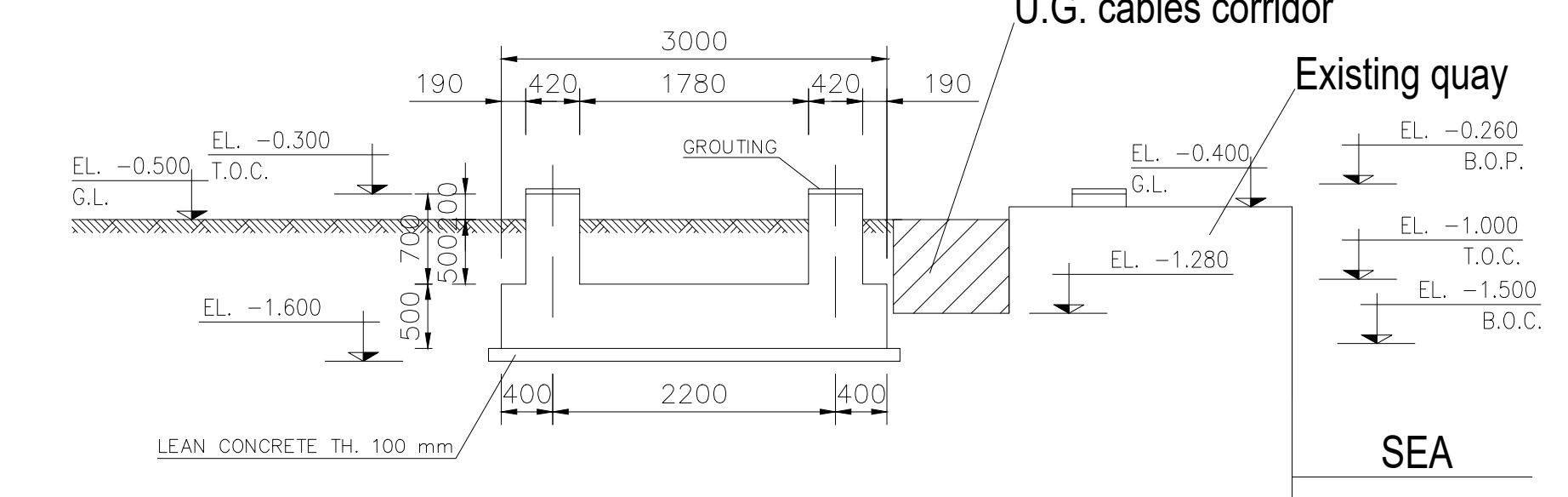
SCALE:	FORM:	CONTRACTOR DOC. N°:	REV.	SHT.	OF
VARIES	A1	0469-TITA-C-FO-001-001	00	Fg.	1 di 1

La TECHINT si riserva la proprietà di questo disegno con la proibizione di riprodurlo o trasferirlo a terzi senza autorizzazione scritta. This document is property of TECHINT. Reproduction and divulgation forbidden without written permission.

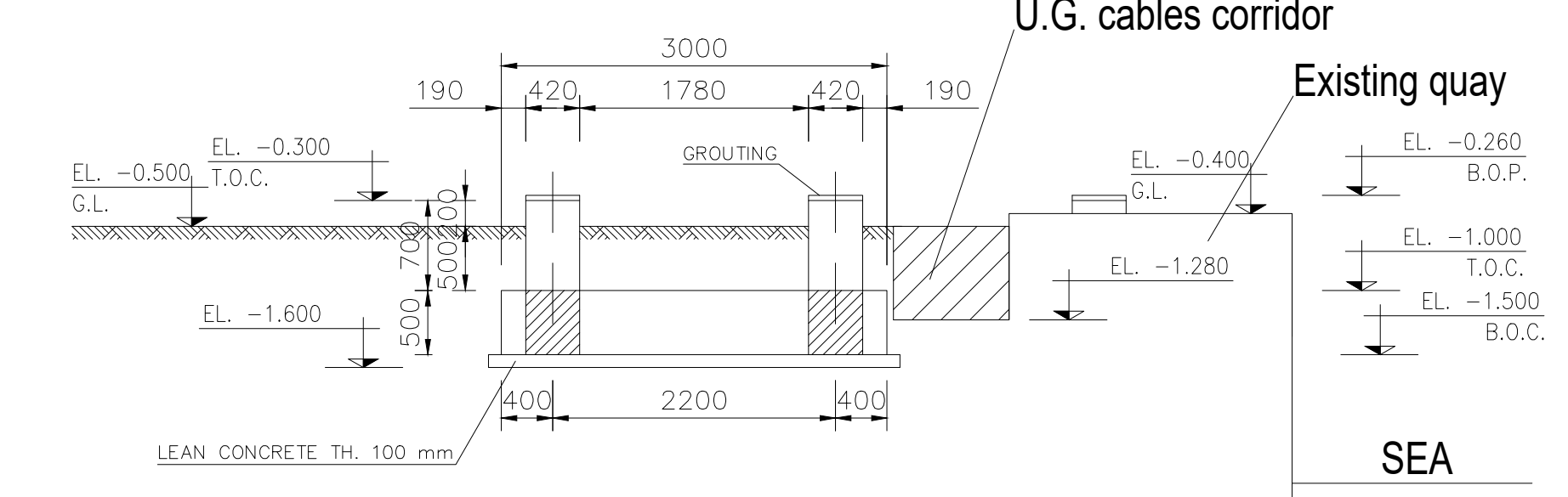
**PLAN**  
SCALE 1:50



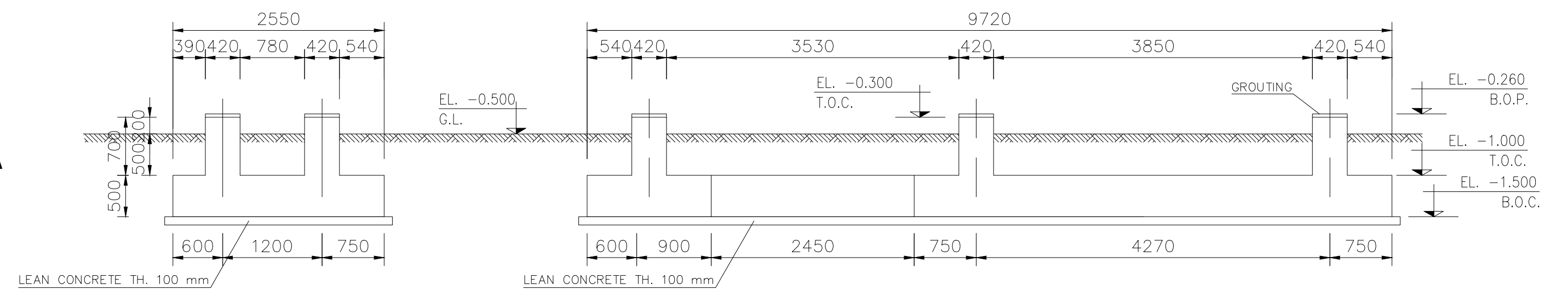
**VIEW A-A**  
SCALE 1:50



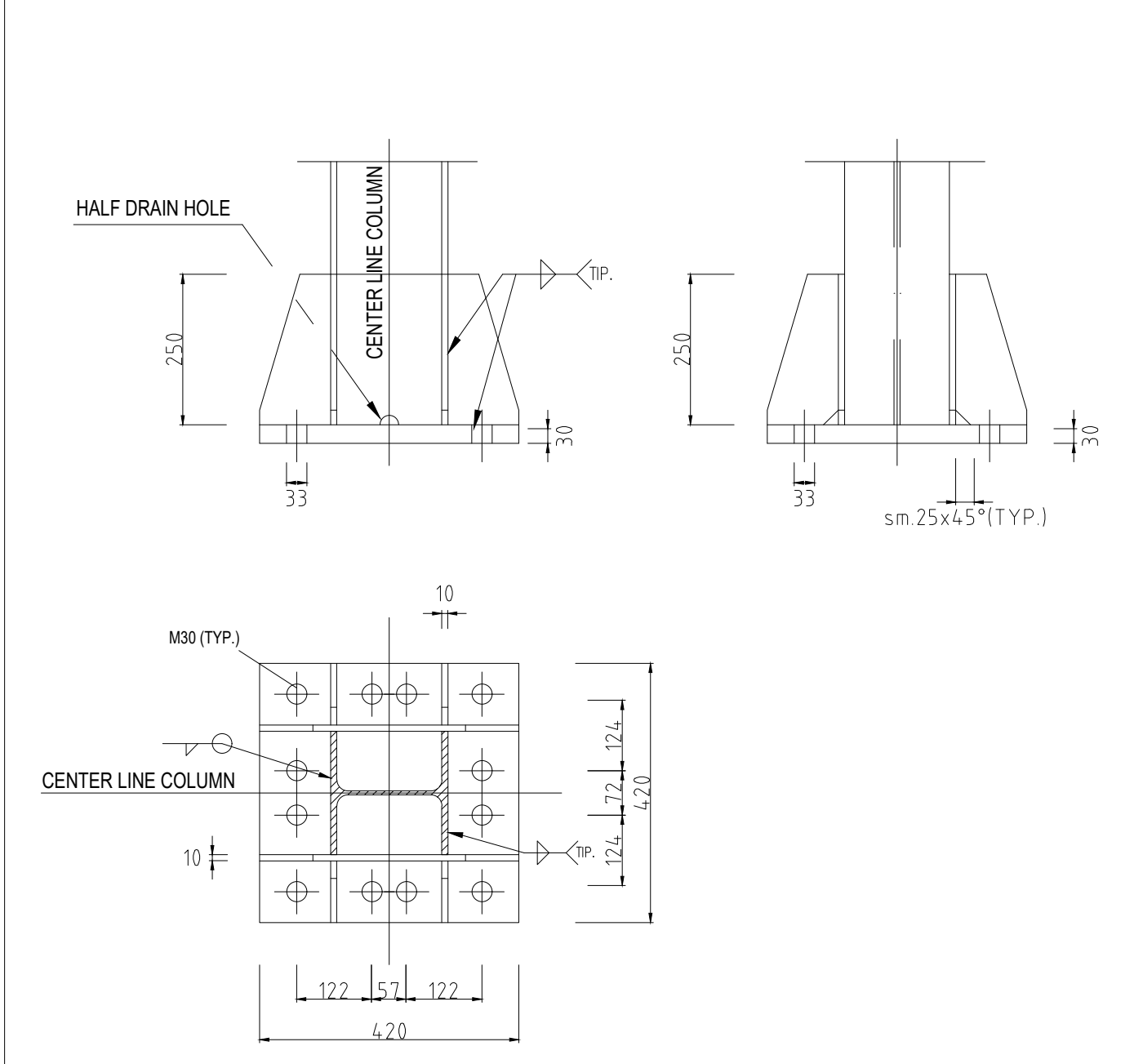
**VIEW B-B**  
SCALE 1:50



**VIEW C-C**  
SCALE 1:50



**DETAIL 1**  
SCALE 1:10



**ANCHORAGE DETAIL**  
SCALE 1:10

