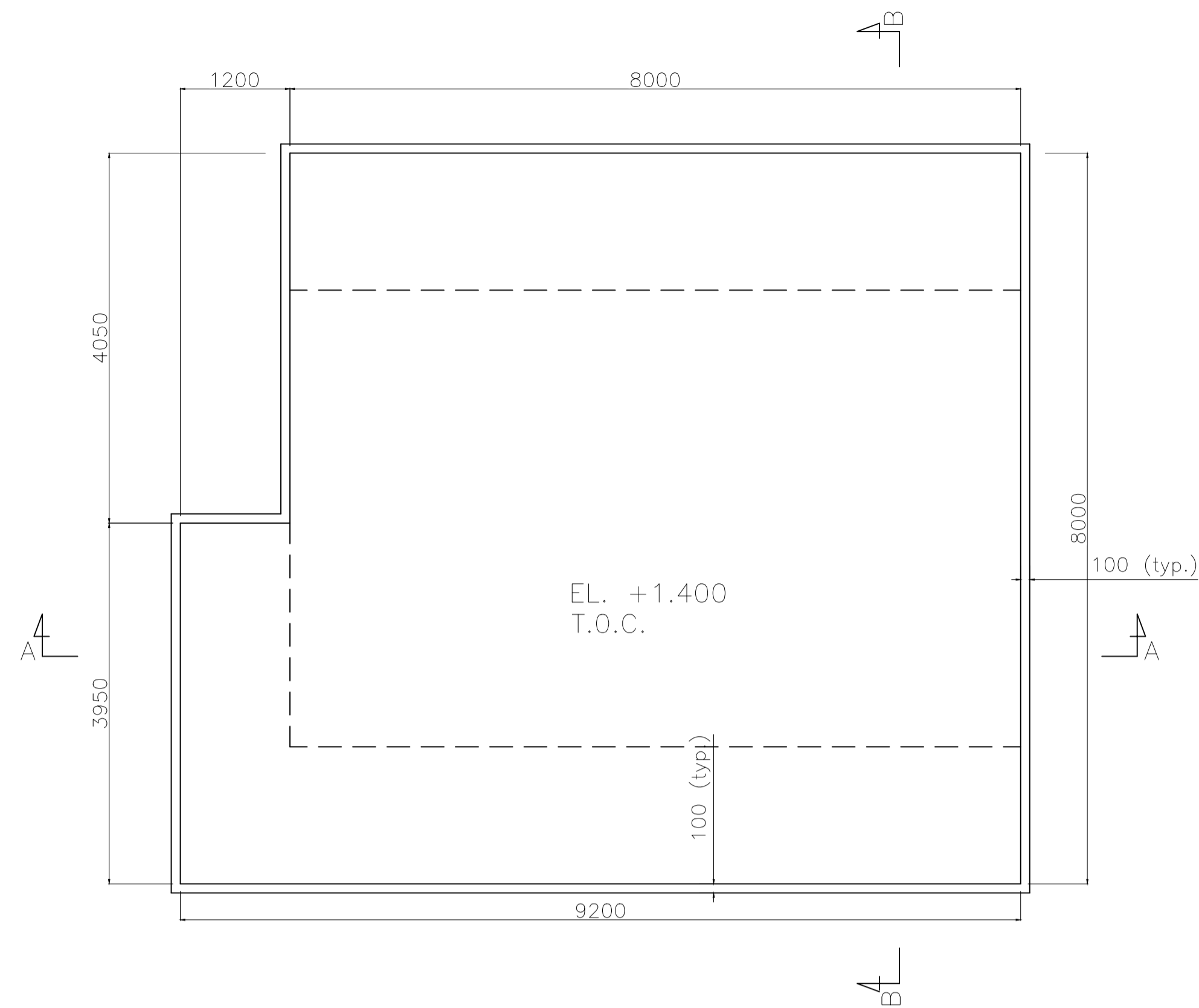
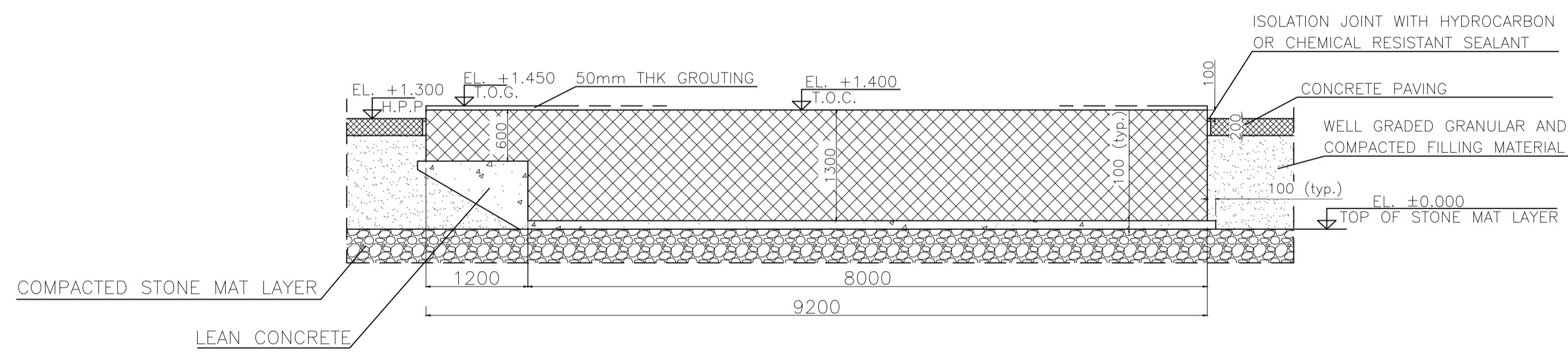


BOG COMPRESSOR K-411, K-421, K-431 FOUNDATION PLAN



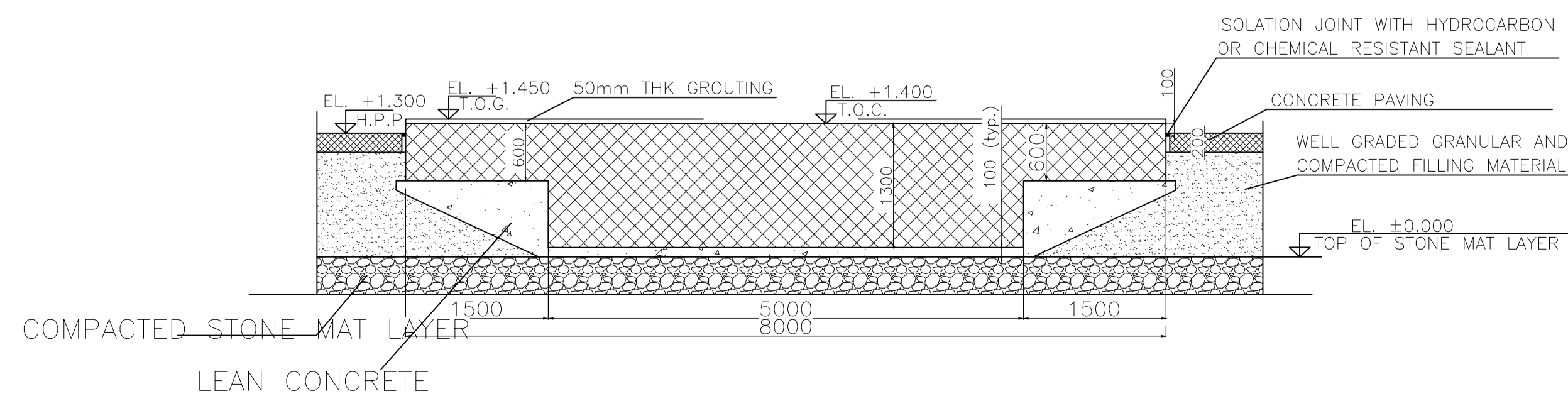
SECTION A-A

FOR DETAIL ABOUT SITE PREPARATION / SOIL IMPROVEMENT
BENEATH COMPRESSOR FOUNDATION
REFER TO DOC. NO. 0469-TITA-C-GD-001-001



SECTION B-B

FOR DETAIL ABOUT SITE PREPARATION / SOIL IMPROVEMENT
BENEATH COMPRESSOR FOUNDATION
REFER TO DOC. NO. 0469-TITA-C-GD-001-001



REFERENCE DRAWINGS / DISEGNI DI RIFERIMENTO	
DWG. N° / N° DIS	DESCRIPTIONS / DESCRIZIONE
0469-TITA-P-PP-000-001	GENERAL PLOT PLAN
.....
.....
.....
.....

NOTES

- 1 - ALL DIMENSIONS ARE IN MM AND ALL ELEVATIONS ARE IN M.
- 2 - THE REFERENCE ELEVATION ± 0.000 M CORRESPONDES TO +2.500 M A.S.L.
- 3 - FOR BASES POSITION AND ORIENTATION SEE FOUNDATION PLAN

MATERIAL LIST

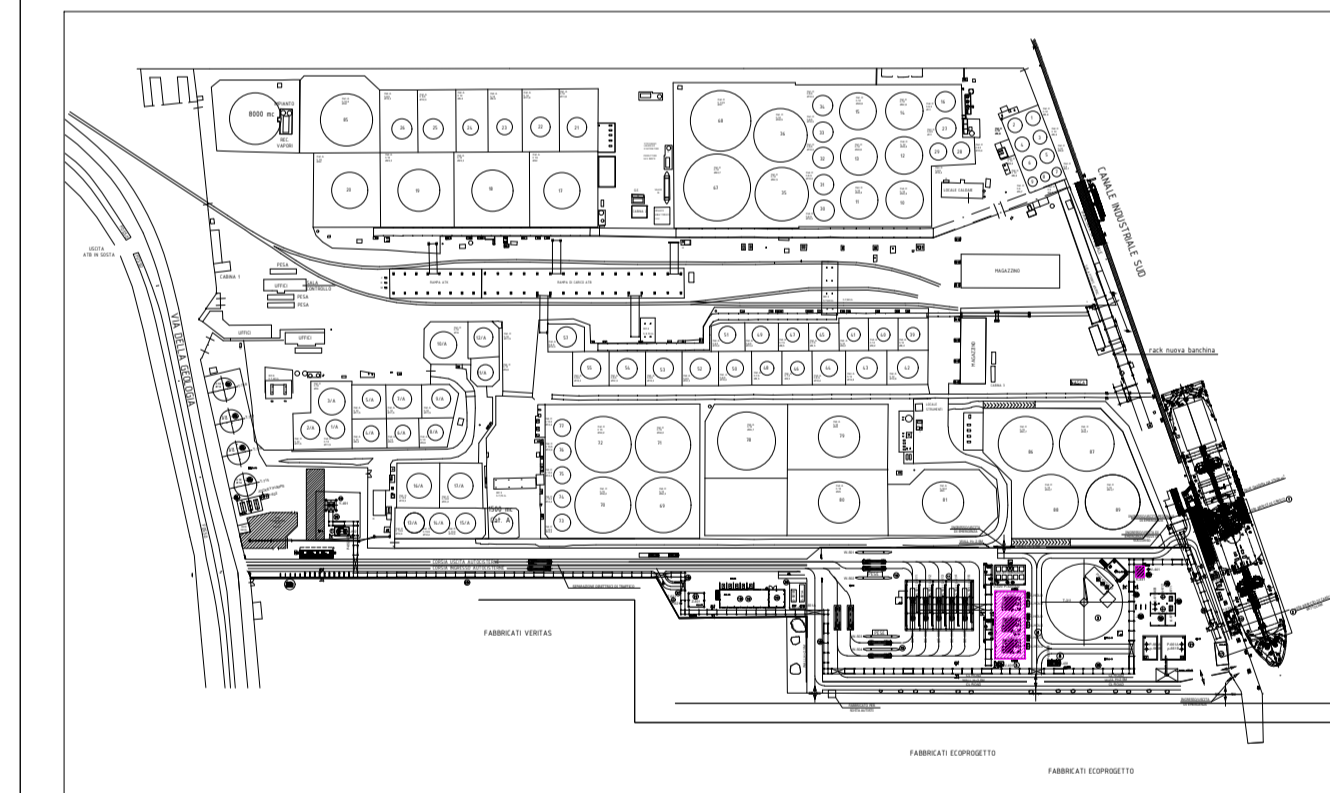
- LEAN CONCRETE
RESISTANCE CLASS C12/15, Rck ≥ 15 N/mm²
- CONCRETE FOUNDATIONS
EXPOSURE CLASS= XA2, XS1
RESISTANCE CLASS MIN. C35/45, Rck ≥ 45 N/mm²;
CONSISTENCY CLASS S4;
RATIO (WATER/CEMENT)_{max}= 0.45;
CEMENT DOSAGE min. = 360 kg/m³;
MINIMUM CONCRETE COVER= 35 mm + 10 mm= 45 mm
- GROUT
GROUT SHALL BE NON-SHRINK CEMENTITIOUS GROUT
50 mm FOR PLATES, STRIPS, BASE RINGS, ETC.

LEGEND

- B.O.C. = BOTTOM OF CONCRETE
- G.L. = GRADE LEVEL
- T.O.C. = TOP OF CONCRETE
- T.O.G. = TOP OF GROUTING

THE INFORMATION CONTAINED IN THIS
DRAWING IS TO BE CONSIDERED
PRELIMINARY AND SHALL BE DULY VERIFIED
DURING THE DETAIL DESIGN PHASE

KEY PLAN



REV.	DESCRIPTION - Descrizione	PREP'D - Red.	CHK'D - Contr.	APPR'D - Appr.	REV APPR'D - Appr.	DATE - Data
01	FOR USE	SGI	GCA	DMR	CMA	07/09/20
00	FOR COMMENTS	SGI	GCA	DMR	CMA	30/07/20

CONTRACTOR: **TECHINT** Engineering & Construction

COMPANY: **VeniceLNG**

PROJECT TITLE: VENICE LNG
FEED - VENICE LNG TERMINAL (PORTO MARGHERA)
BOG AND HD COMPRESSOR FOUNDATION
FORMWORK

SCALE: 1:50

FORM: A1

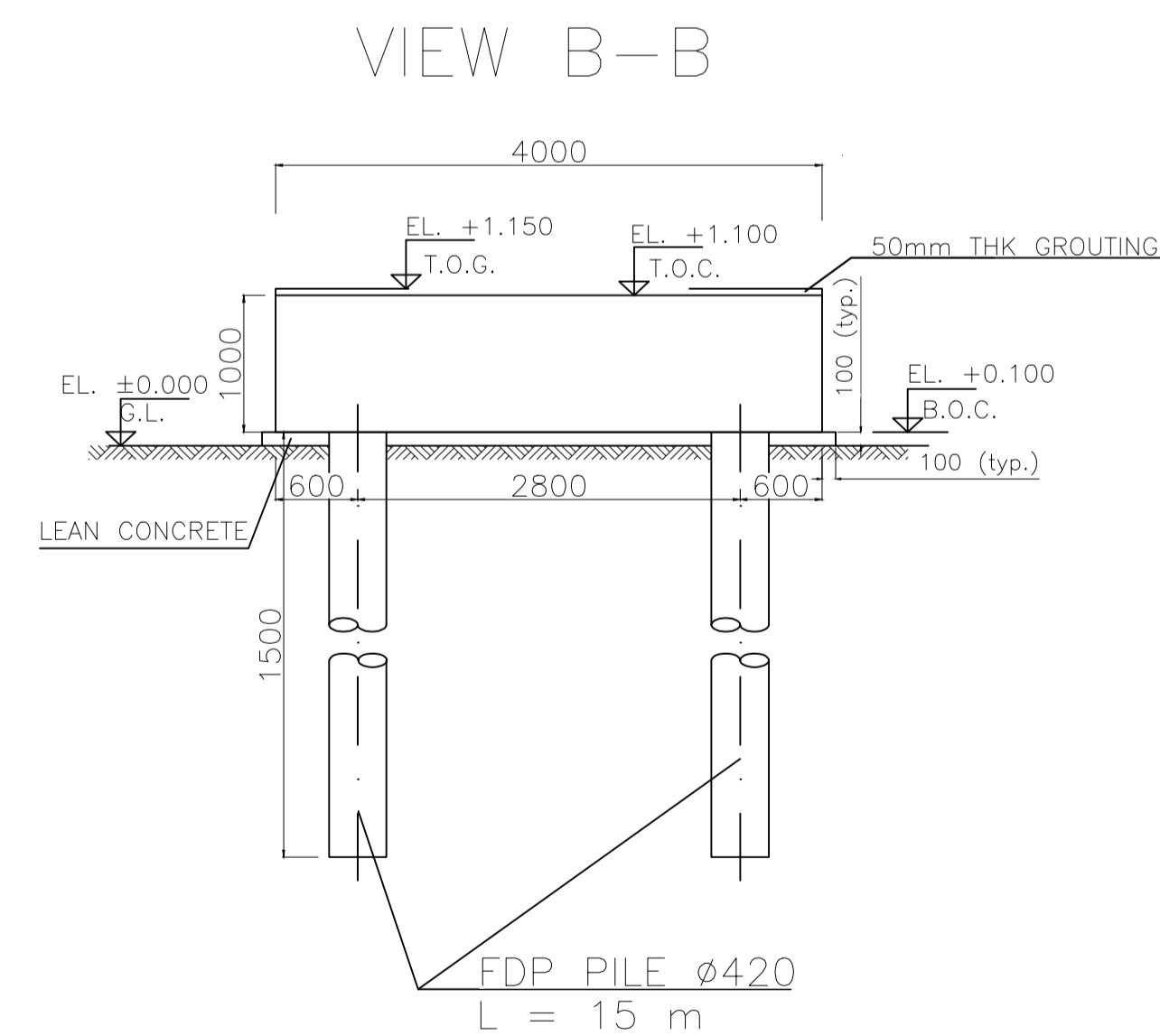
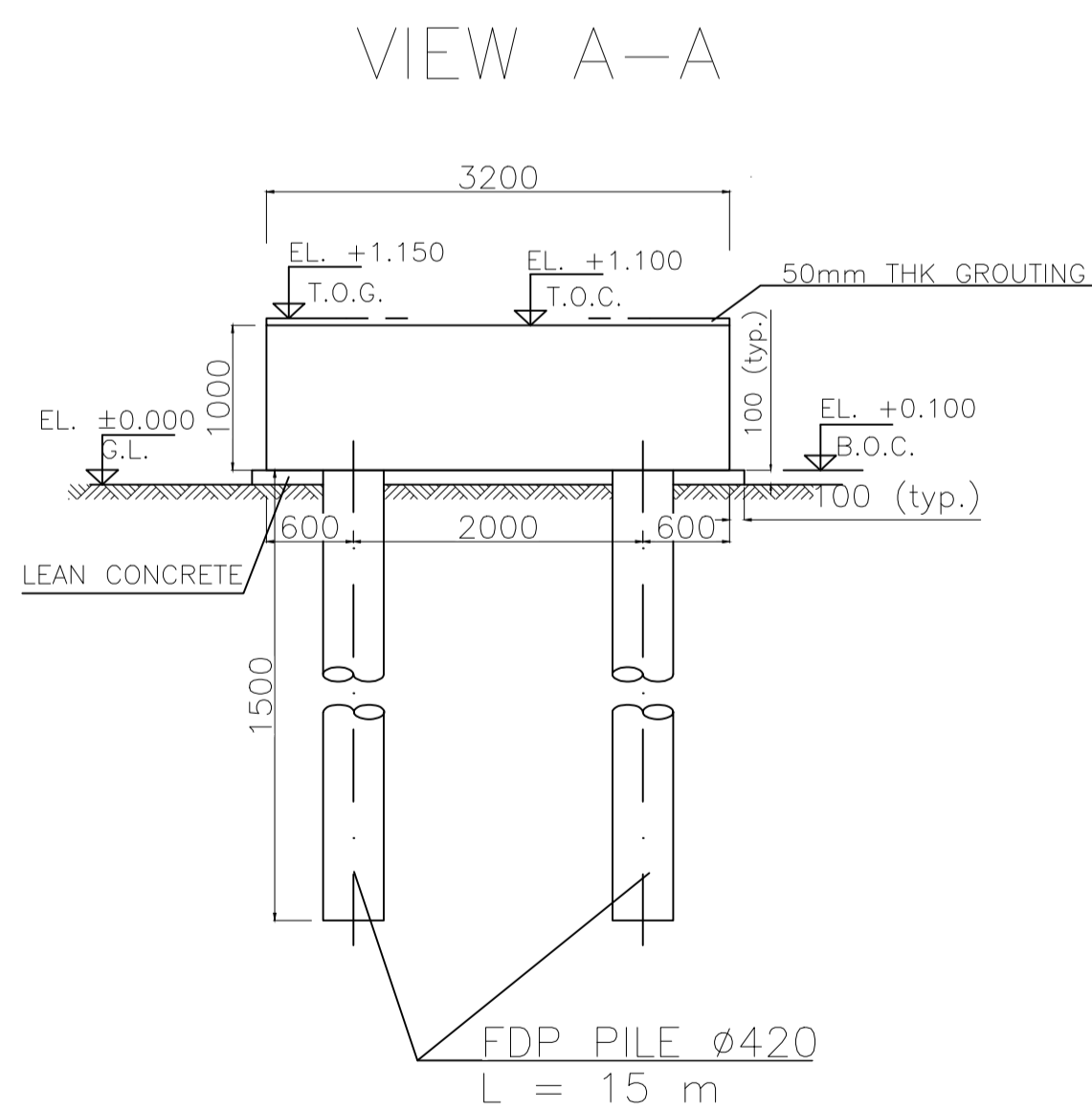
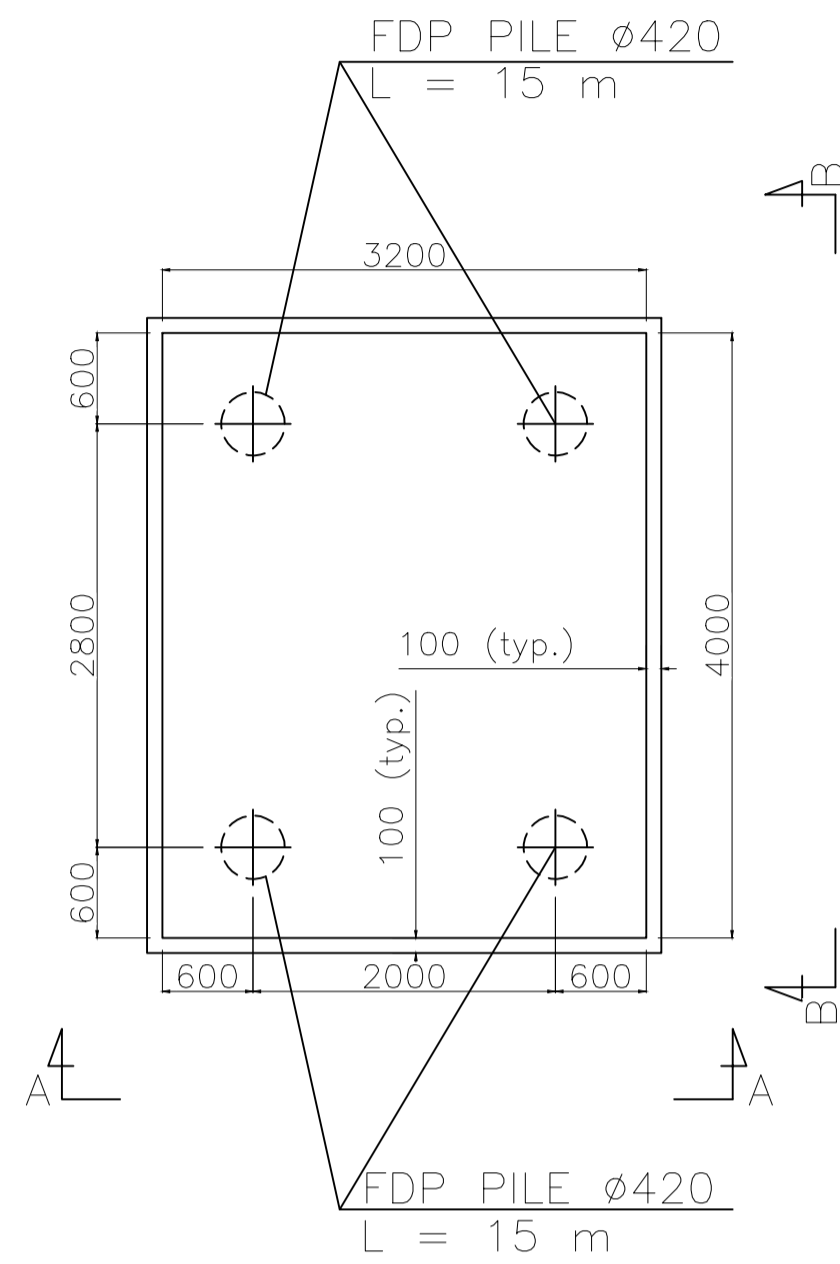
CONTRACTOR DOC. N°: 0469-TITA-C-FO-001-002

REV. 01

SHT. OF 1 di 2

CAD FILE N°

HD COMPRESSOR K-441 FOUNDATION PLAN



REFERENCE DRAWINGS / DISEGNI DI RIFERIMENTO

DWG. N° / N° DIS	DESCRIPTIONS / DESCRIZIONE
0469-TITA-P-PP-000-001	GENERAL PLOT PLAN
.....
.....
.....
.....

NOTES

- 1 - ALL DIMENSIONS ARE IN MM AND ALL ELEVATIONS ARE IN M.
- 2 - THE REFERENCE ELEVATION ± 0.000 M CORRESPONDES TO +2.500 M A.S.L.
- 3 - FOR BASES POSITION AND ORIENTATION SEE FOUNDATION PLAN

MATERIAL LIST

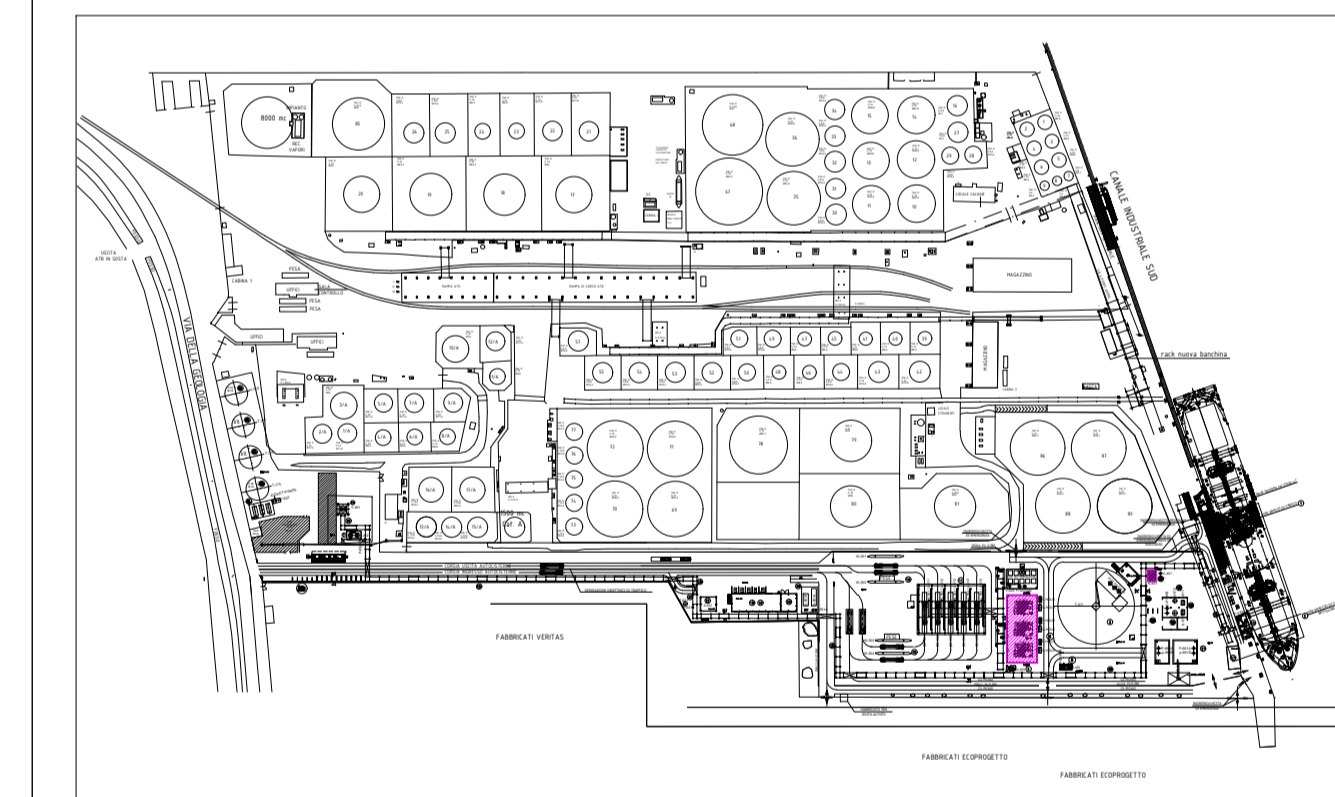
- LEAN CONCRETE
RESISTANCE CLASS C12/15, Rck ≥ 15 N/mm²
- CONCRETE FOUNDATIONS
EXPOSURE CLASS= XA2, XS1
RESISTANCE CLASS MIN. C35/45, Rck ≥ 45 N/mm²;
CONSISTENCY CLASS S4;
RATIO (WATER/CEMENT)_{max}= 0.45;
CEMENT DOSAGE min. = 360 kg/m³;
MINIMUM CONCRETE COVER= 35 mm + 10 mm= 45 mm
- GROUT
GROUT SHALL BE NON-SHRINK CEMENTITIOUS GROUT
50 mm FOR PLATES, STRIPS, BASE RINGS, ETC.

LEGEND

- B.O.C. = BOTTOM OF CONCRETE
- G.L. = GRADE LEVEL
- T.O.C. = TOP OF CONCRETE
- T.O.G. = TOP OF GROUTING

THE INFORMATION CONTAINED IN THIS DRAWING IS TO BE CONSIDERED PRELIMINARY AND SHALL BE DULY VERIFIED DURING THE DETAIL DESIGN PHASE

KEY PLAN



REV.	DESCRIPTION - Descrizione	PREP'D - Red.	CHK'D - Contr.	APPR'D - Appr.	REV APPR'D - Appr.	DATE - Data
02	FOR USE	SGL	GCA	DMR	CMA	07/09/20
00	FOR COMMENTS	SGL	GCA	DMR	CMA	30/07/20

CONTRACTOR	COMPANY
TECHINT Engineering & Construction	VeniceLNG

PROJECT TITLE / PROGETTO:	TITLE / TITOLO:
VENICE LNG FEED - VENICE LNG TERMINAL (PORTO MARGHERA)	BOG AND HD COMPRESSOR FOUNDATION FORMWORK

SCALE / Scala:	FORM / Formato:	CONTRACTOR DOC. N°:	REV.	SHT. OF
1:50	A1	0469-TITA-C-FO-001-002	01	Fg. 2 di 2

La TECHINT si riserva la proprietà di questo disegno con la proibizione di riprodurlo o trasferirlo a terzi senza autorizzazione scritta.
This document is property of TECHINT. Reproduction and divulgation forbidden without written permission.