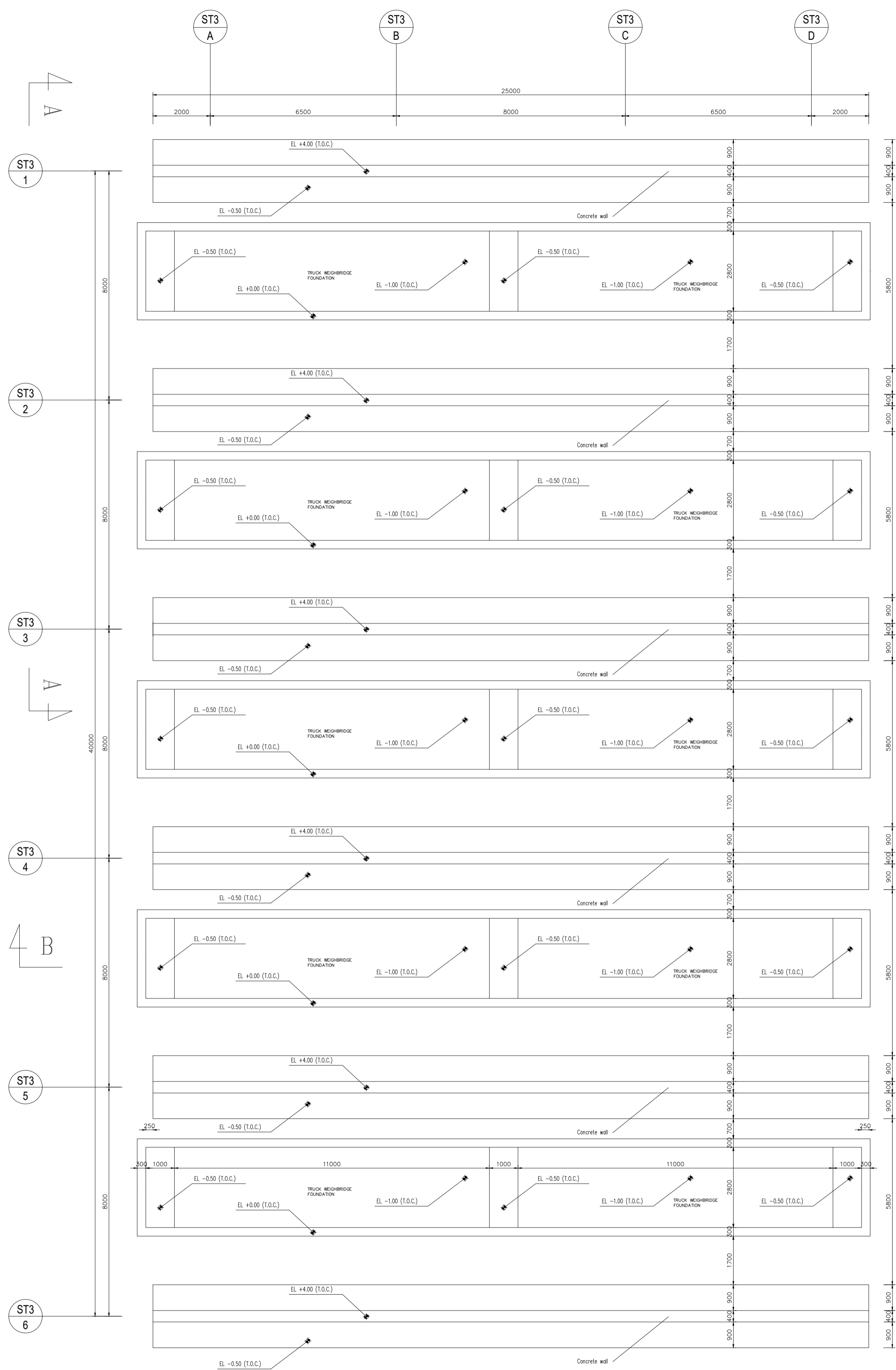


PLAN VIEW - EL. +0.00
SCALE 1:100



| REFERENCE DRAWINGS / DISEGNI DI RIFERIMENTO | |
|---|--|
| DWG. N° / N° DIS | DESCRIPTIONS / DESCRIZIONE |
| 0469-TITA-P-PP-000-001 | General Plot Plan |
| 0469-TITA-S-DD-001-002 | Truck loading station - Steel structures - Plan and sections |
| | |
| | |
| | |

NOTES

- 1 - ALL DIMENSIONS AND ELEVATIONS ARE IN M.
- 2 - THE REFERENCE ELEVATION ± 0.000 M CORRESPONDES TO +2.500 M A.S.L.

MATERIAL LIST

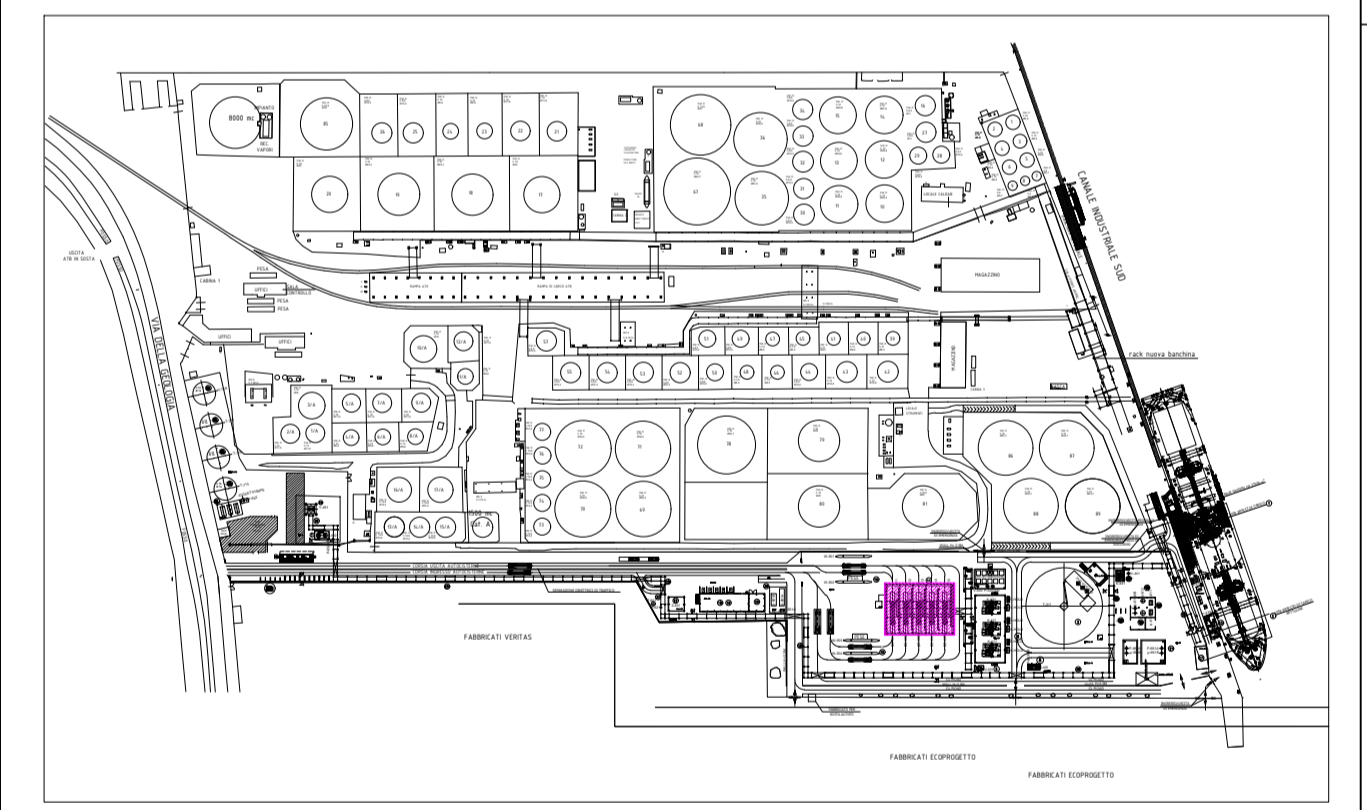
- LEAN CONCRETE
RESISTANCE CLASS C12/15, Rck ≥ 15 N/mm2
- CONCRETE FOUNDATIONS
EXPOSURE CLASS= XA2, XS1
RESISTANCE CLASS MIN. C35/45, Rck ≥ 45 N/mm2;
CONSISTENCY CLASS S4;
RATIO (WATER/CEMENT)_{max} = 0.45;
CEMENT DOSAGE min. = 360 kg/m3;
MINIMUM CONCRETE COVER= 35 mm + 10 mm = 45 mm
- GROUT
GROUT SHALL BE NON-SHRINK CEMENTITIOUS GROUT
50 mm FOR PLATES, STRIPS, BASE RINGS, ETC.

LEGEND

- B.O.C. = BOTTOM OF CONCRETE
- T.O.C. = TOP OF CONCRETE
- H.P.P. = HIGH PAVEMENT POINT

THE INFORMATION CONTAINED IN THIS DRAWING IS TO BE CONSIDERED PRELIMINARY AND SHALL BE DULY VERIFIED DURING THE DETAIL DESIGN PHASE

KEY PLAN



| REV. | DESCRIPTION - Descrizione | PREP'D - Red. | CHK'D - Contr. | APPR'D - Appr. | REV APPR'D - Appr. | DATE - Data |
|------|---------------------------|---------------|----------------|----------------|--------------------|-------------|
| 01 | FOR USE | SQL | GCA | DMR | CMA | 07/09/20 |
| 00 | FOR COMMENTS | SQL | GCA | DMR | CMA | 17/08/20 |

CONTRACTOR: **TECHINT** Engineering & Construction

COMPANY: **VeniceLNG**

PROJECT TITLE: VENICE LNG FEED - VENICE LNG TERMINAL (PORTO MARGHERA)

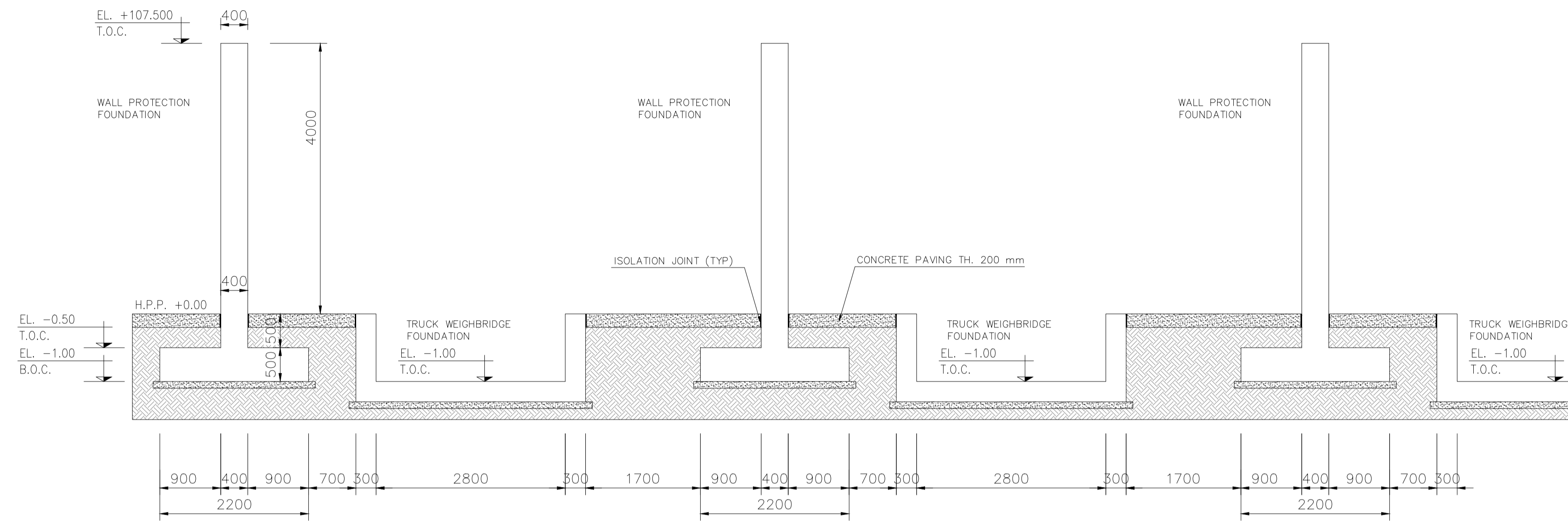
TITLE: TRUCK LOADING STATION FOUNDATION FORMWORK

| | | | | | |
|--------------|----------|--|---------|--------|------|
| SCALE: 1:100 | FORM: A1 | CONTRACTOR DOC. N°: 0469-TITA-C-FO-001-003 | REV. 01 | SHT. 1 | OF 2 |
|--------------|----------|--|---------|--------|------|

La TECHINT si riserva la proprietà di questo disegno con la proibizione di riprodurlo o trasferirlo a terzi senza autorizzazione scritta. This document is property of TECHINT. Reproduction and divulgation forbidden without written permission.

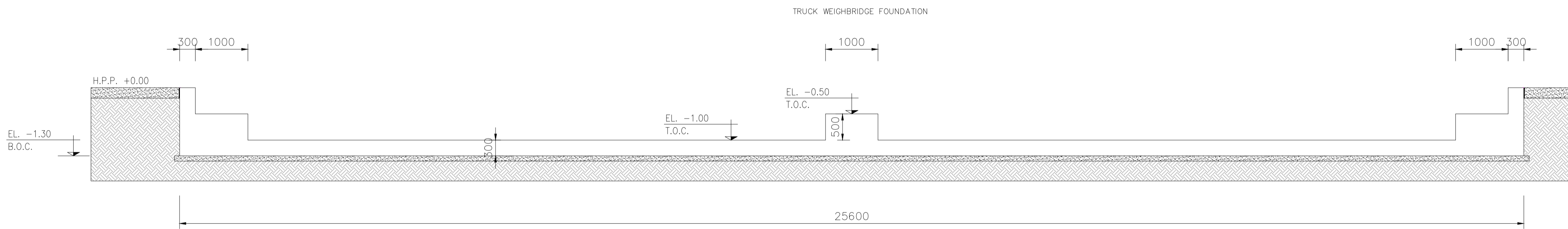
SECTION A-A

SCALE 1:50



SECTION B-B

SCALE 1:50



REFERENCE DRAWINGS / DISEGNI DI RIFERIMENTO

| DWG. N° / N° DIS | DESCRIPTIONS / DESCRIZIONE |
|------------------------|--|
| 0469-TITA-P-PP-000-001 | General Plot Plan |
| 0469-TITA-S-DD-001-002 | Truck loading station - Steel structures - Plan and sections |
| | |
| | |
| | |

NOTES

- 1 - ALL DIMENSIONS AND ELEVATIONS ARE IN M.
- 2 - THE REFERENCE ELEVATION ± 0.000 M CORRESPONDES TO +2.500 M A.S.L.

MATERIAL LIST

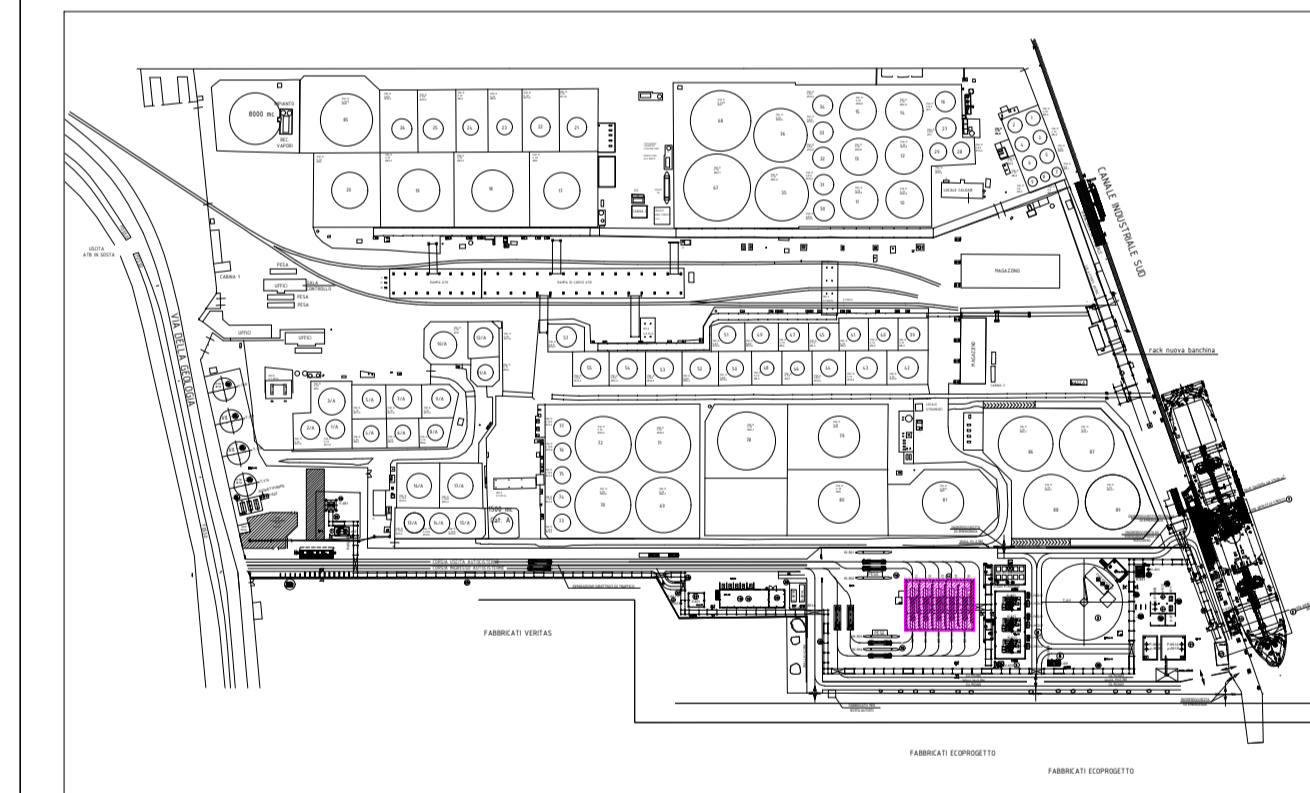
- LEAN CONCRETE
RESISTANCE CLASS C12/15, Rck ≥ 15 N/mm²
- CONCRETE FOUNDATIONS
EXPOSURE CLASS= XA2, XS1
RESISTANCE CLASS MIN. C35/45, Rck ≥ 45 N/mm²;
CONSISTENCY CLASS S4;
RATIO (WATER/CEMENT)_{max} = 0.45;
CEMENT DOSAGE min. = 360 kg/m³;
MINIMUM CONCRETE COVER= 35 mm + 10 mm = 45 mm
- GROUT
GROUT SHALL BE NON-SHRINK CEMENTITIOUS GROUT
50 mm FOR PLATES, STRIPS, BASE RINGS, ETC.

LEGEND

- B.O.C. = BOTTOM OF CONCRETE
- T.O.C. = TOP OF CONCRETE
- H.P.P. = HIGH PAVEMENT POINT

THE INFORMATION CONTAINED IN THIS DRAWING IS TO BE CONSIDERED PRELIMINARY AND SHALL BE DULY VERIFIED DURING THE DETAIL DESIGN PHASE

KEY PLAN



| REV. | DESCRIPTION - Descrizione | PREP'D - Red. | CHK'D - Contr. | APPR'D - Appr. | REV APPR'D - Appr. | DATE - Data |
|------|---------------------------|---------------|----------------|----------------|--------------------|-------------|
| 01 | FOR USE | SGL | GCA | DMR | CMA | 07/09/20 |
| 00 | FOR COMMENTS | SGL | GCA | DMR | CMA | 17/08/20 |

| CONTRACTOR | | COMPANY | |
|-------------|------------------|---|-------------|
| | | | |
| JOB NUMBER: | COMPANY DOC. N°: | PROJECT TITLE: | PROGETTO: |
| | | VENICE LNG FEED - VENICE LNG TERMINAL (PORTO MARGHERA) | |
| TITLE: | | TRUCK LOADING STATION FOUNDATION FORMWORK | |
| SCALE: | FORM: | CONTRACTOR DOC. N°: | REV. SH. OF |
| 1:100 | A1 | 0469-TITA-C-FO-001-003 | 01 2 di 2 |
| CAD FILE N° | | | |