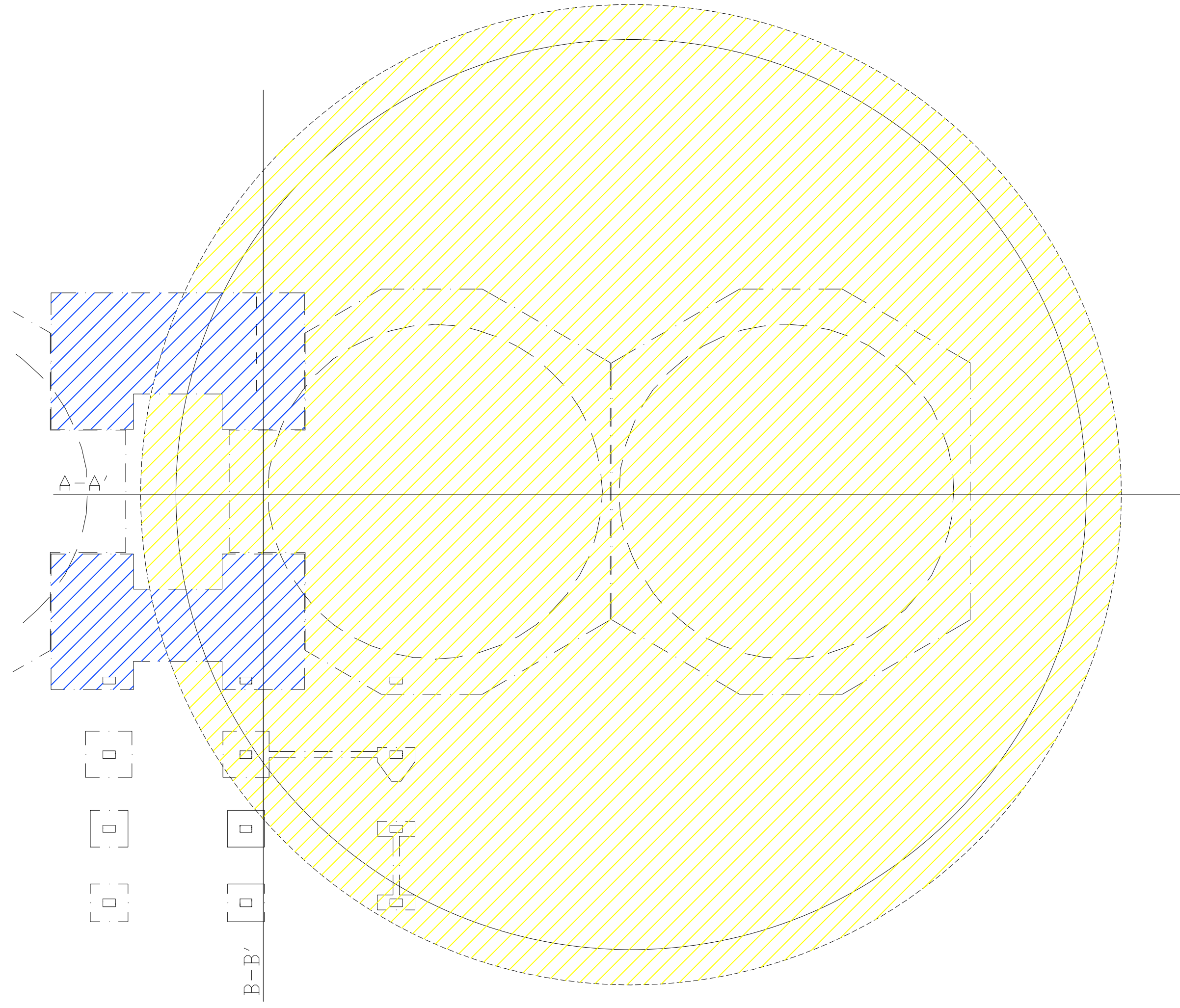


GENERAL EXCAVATION/DEMOLITION (PHASE 1)



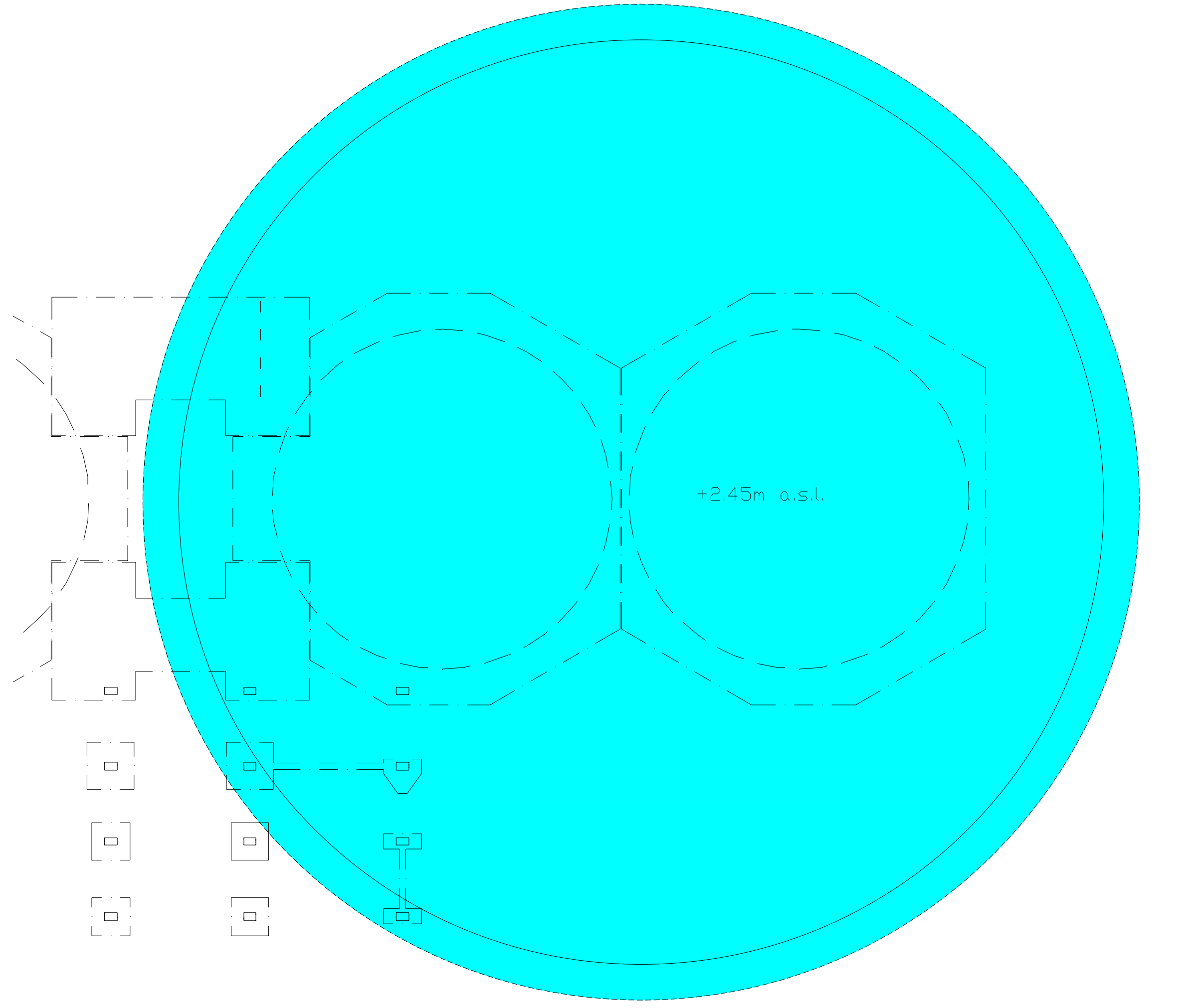
LEGEND FOR EXCAVATION (PHASE 1) AND BACKFILLING (PHASE 2)

- Zone 1 - Ground level after excavation and demolition of pile cap = + 0.95 m a.s.l.
- Zone 2 - Ground level after excavation and demolition of pile cap = - 1.20 m a.s.l.
- Backfilling to +2.45m a.s.l.
- Foundations to be demolished

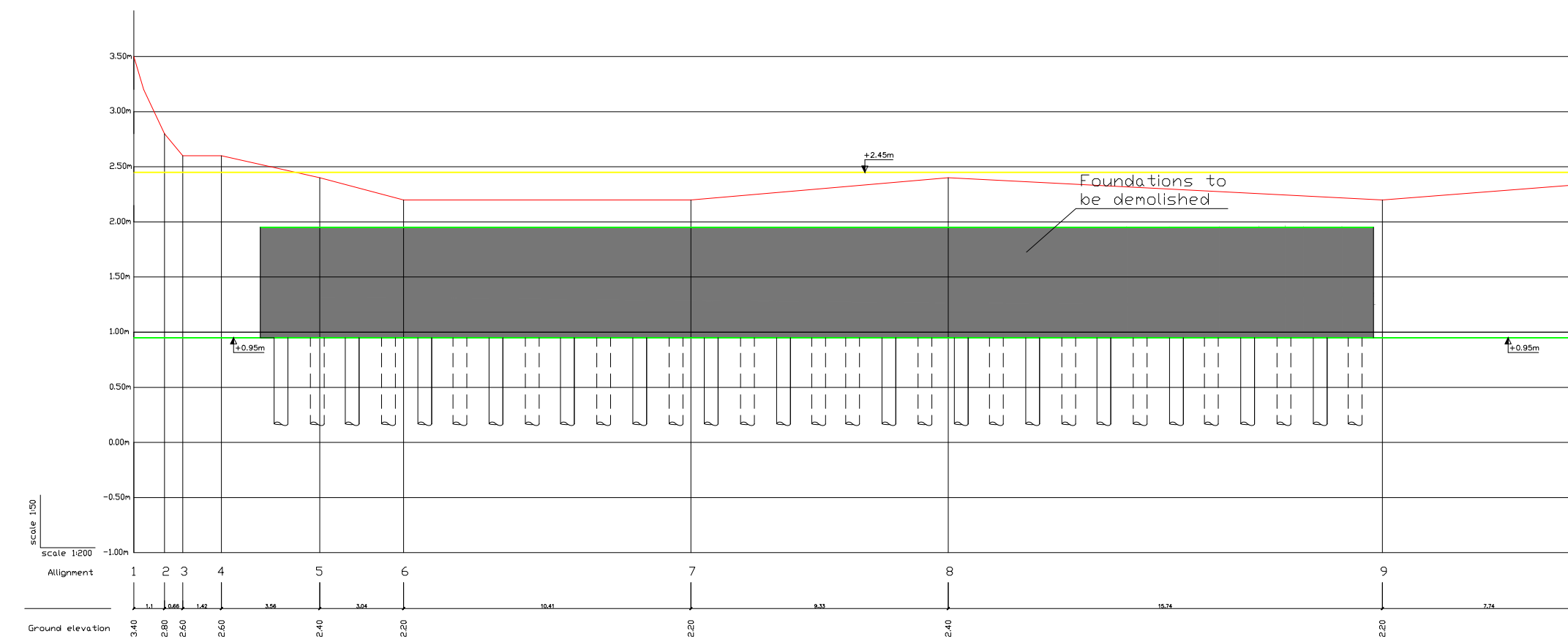
LEGEND

- ground elevation after backfilling +2.45m
- current ground level
- ground level after excavation +0.95m/-1.20m

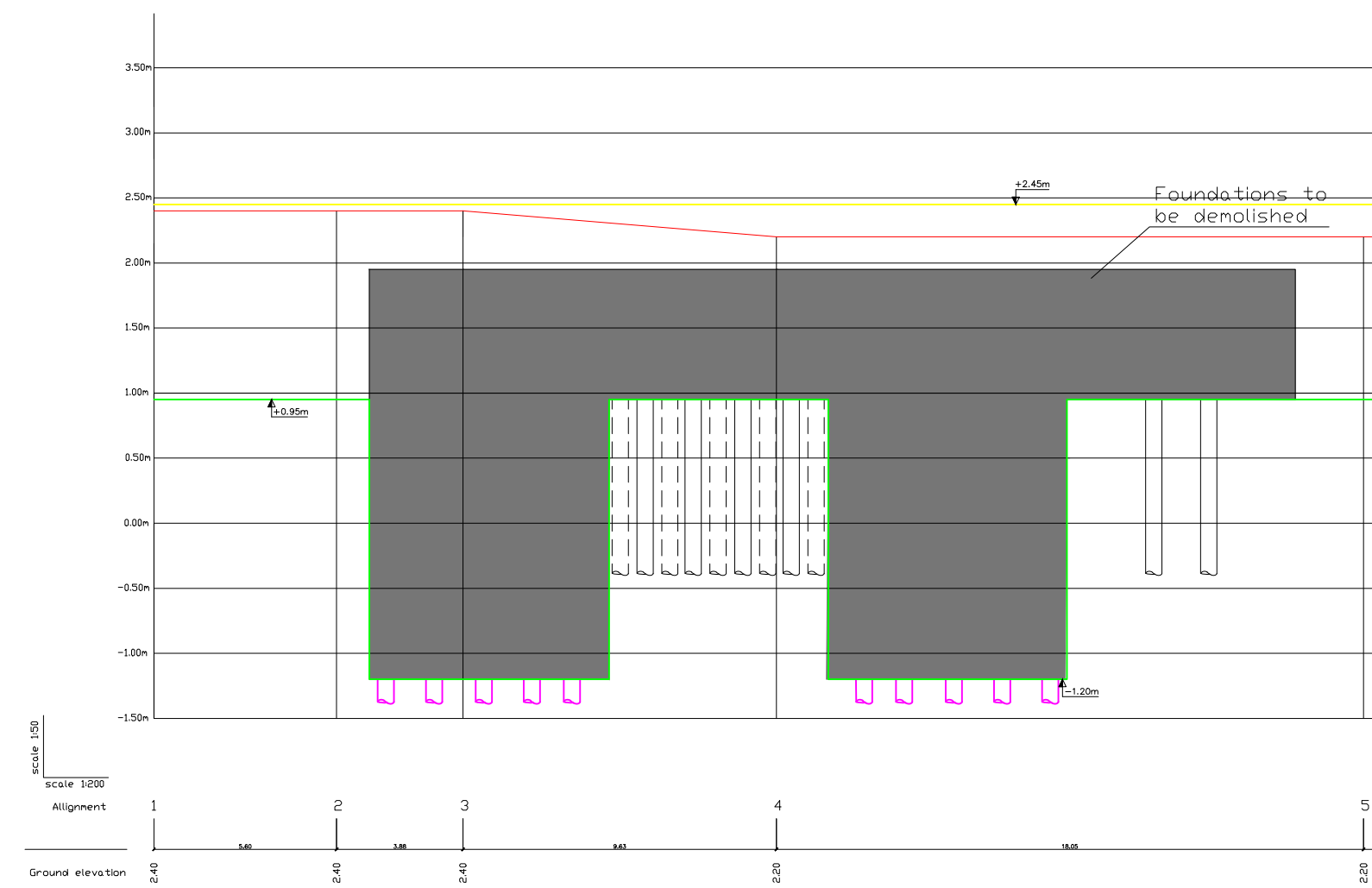
GENERAL FILLING (PHASE 2)



SECTION A-A'



SECTION B-B'



REFERENCE DRAWINGS / DISEGNI DI RIFERIMENTO	
DWG. N° / N° DIS	DESCRIPTORS / DESCRIZIONE
0469-TITA-P-PP-000-001	GENERAL PLOT PLAN
.....	L171085_di_planimetria 2017-12-07 - Standard
.....	667_Rilievo-Nuova-Recinzione
.....
.....

NOTES

1 - ALL DIMENSIONS AND ELEVATIONS ARE IN M.

REV.	DESCRIPTION - Descrizione	PREP'D - Red.	CHK'D - Contr.	APPR'D - Appr.	REV APPR'D - Appr.	DATE - Data
0	FOR COMMENTS	SGL	GCA	DMR	CMA	22/04/20

CONTRACTOR: **VeniceLNG** COMPANY: **TECHINT Engineering & Construction**

PROJECT TITLE: VENICE LNG FEED - VENICE LNG TERMINAL (PORTO MARGHERA)

TITLE: LNG TANK - SOIL PREPARATION AND UNDERGROUND

SCALE: 1:200 FORM: A1 CONTRACTOR DOC. N°: 0469-TITA-C-FO-002-001 REV. 0 SH. 1 OF 3

CAD FILE N°

La TECHINT si riserva la proprietà di questo disegno con la proibizione di riprodurlo o trasferirlo a terzi senza autorizzazione scritta. This document is property of TECHINT. Reproduction and divulgation forbidden without written permission.

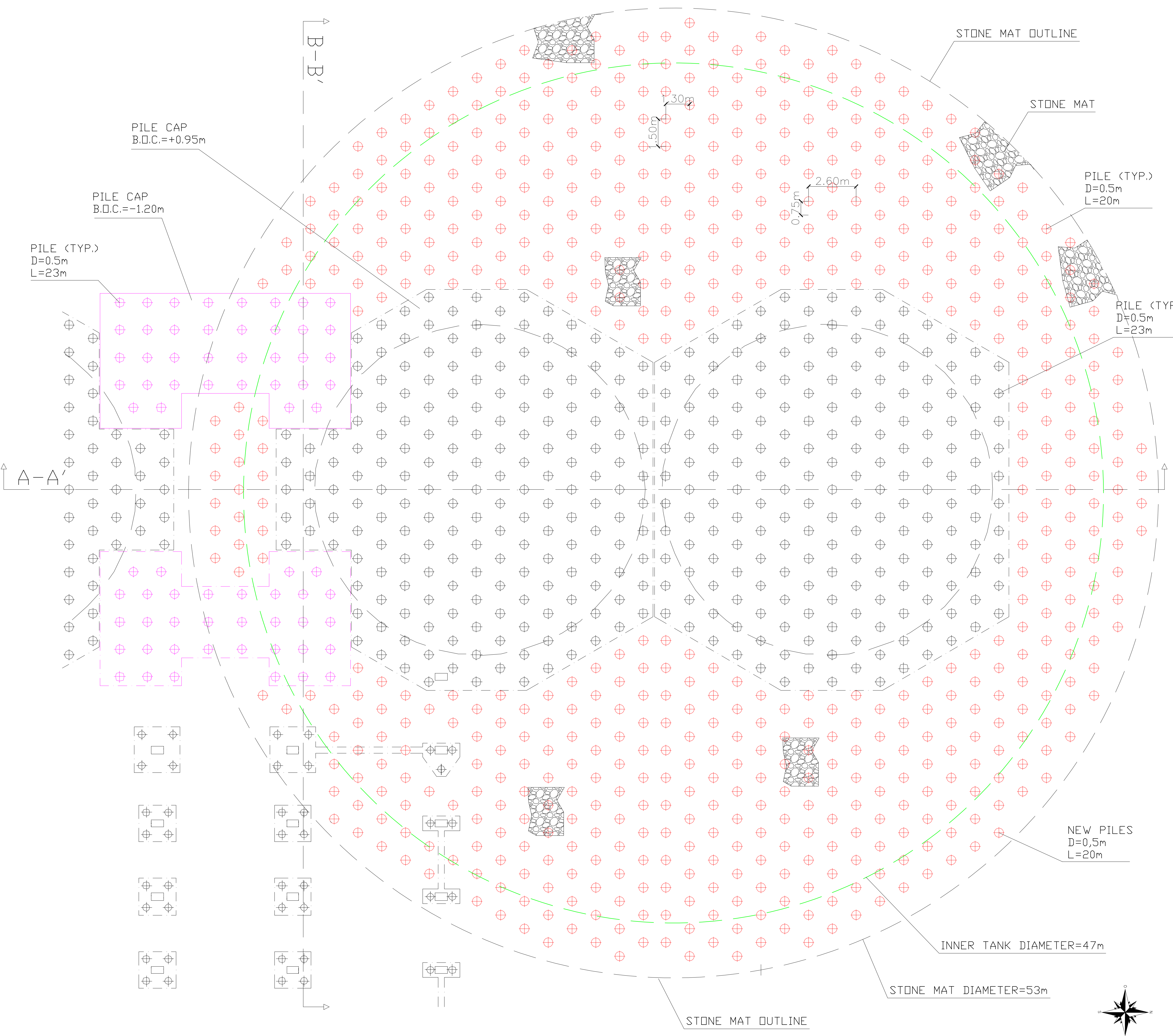
REFERENCE DRAWINGS / DISEGNI DI RIFERIMENTO	
DWG. N° / N° DIS	DESCRIPTIONS / DESCRIZIONE
0469-TITA-PP-000-001	GENERAL PLOT PLAN
.....	L171085_di_planimetria 2017-12-07 - Standard
.....	667_Rilievo-Nuova-Reinzione
.....
.....

NOTES

- 1 - ALL DIMENSIONS AND ELEVATIONS ARE IN M.
- 2 - B.O.C.=BOTTOM OF CONCRETE

LEGEND

- Existing piles / Pile cap B.O.C.=+0,95m/D=0,5m L=23m to be considered as rigid inclusions (existing pile caps to be demolished)
- Existing piles / Pile cap B.O.C.=-1,20m/D=0,5m L=23m to be considered as rigid inclusions (existing pile caps to be demolished)
- New piles D=0,5m L=20m to be considered as rigid inclusions (N°=636)
- Stone mat outline
- - - - Foundations to be demolished
- Inner Tank Diameter=47m



REV.	DESCRIPTION - Descrizione	PREP'D - Red.	CHK'D - Contr.	APPR'D - Appr.	REV APPR'D - Appr.	DATE - Data
0	FOR COMMENTS	SGL	GCA	DMR	CMA	22/04/20

CONTRACTOR	COMPANY
JOB NUMBER: COMPANY DOC. N°	REV. REVISIONE:

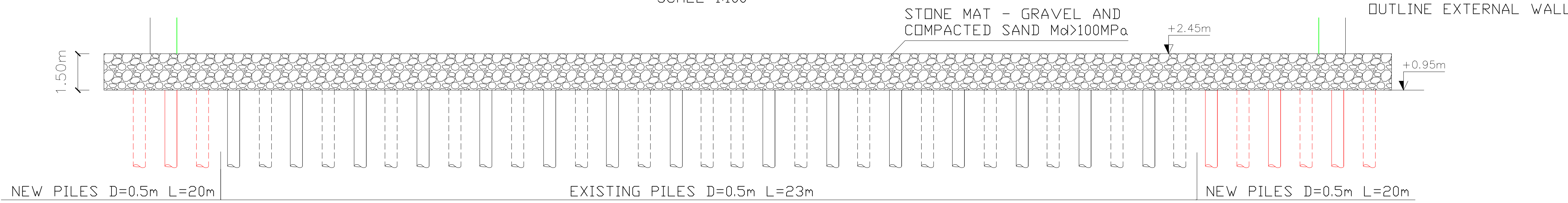
PROJECT TITLE / PROGETTO: VENICE LNG FEED - VENICE LNG TERMINAL (PORTO MARGHERA)

TITLE / TITOLO: LNG TANK - SOIL PREPARATION AND UNDERGROUND

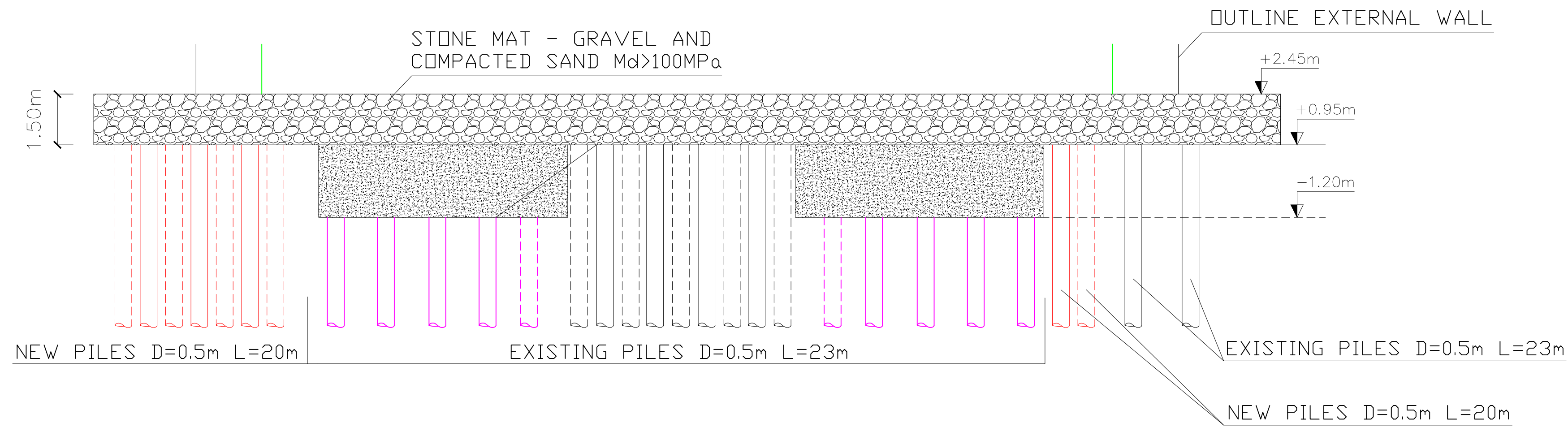
SCALE / SCALA: 1:100	FORM / FORMATO: A1	CONTRACTOR DOC. N°: 0469-TITA-C-FO-002-001	REV. 0	SHT. 2	OF 3
CAD FILE N°					

La TECHINT si riserva la proprietà di questo disegno con la proibizione di riprodurlo o trasferirlo a terzi senza autorizzazione scritta. This document is property of TECHINT. Reproduction and divulgation forbidden without written permission.

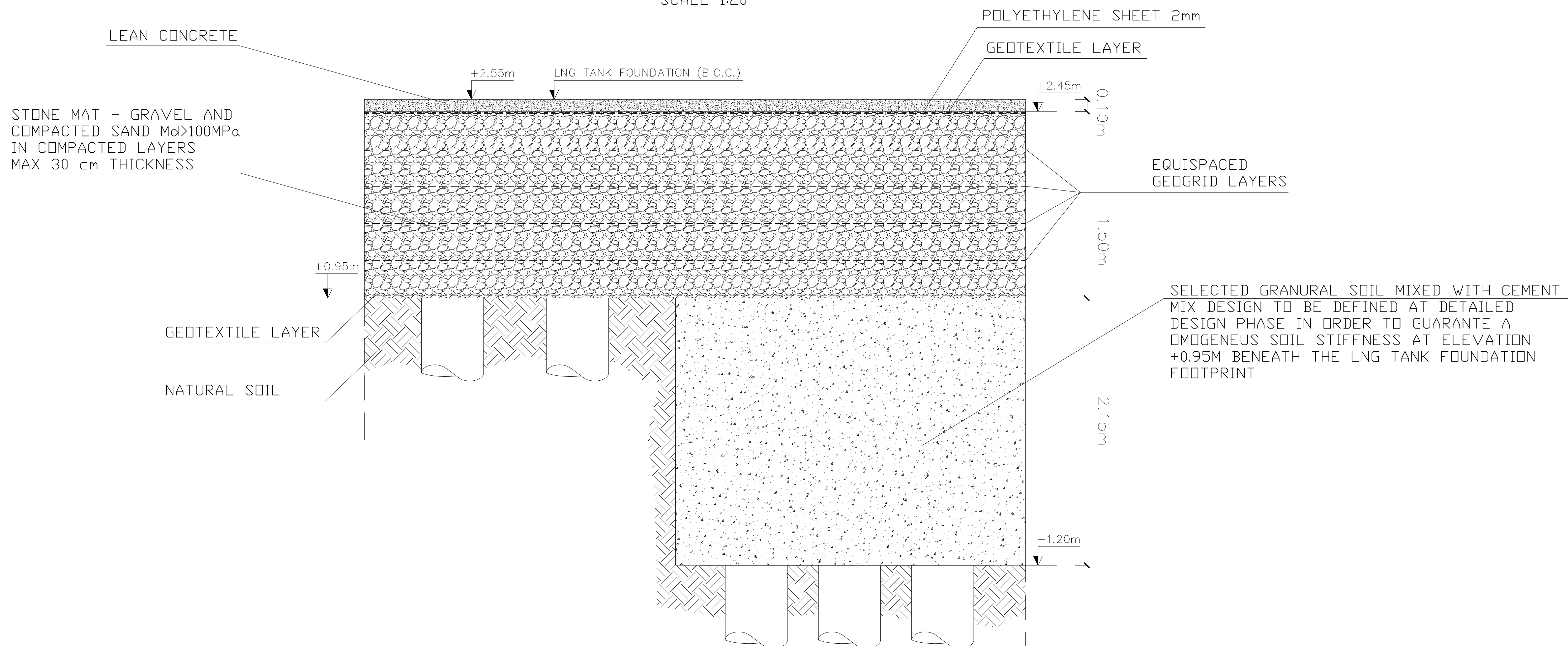
SECTION A-A'
SCALE 1:100



SECTION B-B'
SCALE 1:100



STONE MAT AND ABOVE LAYERS CONSTRUCTION
SCALE 1:20



REFERENCE DRAWINGS / DISEGNI DI RIFERIMENTO

DWG. N° / N° DIS	DESCRIPTIONS / DESCRIZIONE
0469-TITA-P-PP-000-001	GENERAL PLOT PLAN
.....	L171085_di_planimetria 2017-12-07 - Standard
.....	667_Rilievo-Nuova-Reinzione
.....
.....

NOTES

- 1 - ALL DIMENSIONS AND ELEVATIONS ARE IN M.
- 2 - B.O.C.=BOTTOM OF CONCRETE

LEGEND

- ⊕ Existing piles /Pile cap B.O.C.=+0,95m/D=0,5m L=23m to be considered as rigid inclusions (existing pile caps to be demolished)
- ⊕ Existing piles /Pile cap B.O.C.=-1,20m/D=0,5m L=23m to be considered as rigid inclusions (existing pile caps to be demolished)
- ⊕ New piles D=0,5m L=20m to be considered as rigid inclusions (N°=636)
- Stone mat outline
- Foundations to be demolished
- Inner Tank Diameter=47m

REV.	DESCRIPTION - Descrizione	PREP'D - Red.	CHK'D - Contr.	APPR'D - Appr.	REV APPR'D - Appr.	DATE - Data
0	FOR COMMENTS	SGL	GCA	DMR	CMA	22/04/20

CONTRACTOR: **VeniceLNG** COMPANY: **TECHINT Engineering & Construction**

PROJECT TITLE: VENICE LNG FEED - VENICE LNG TERMINAL (PORTO MARGHERA)

TITLE: LNG TANK - SOIL PREPARATION AND UNDERGROUND

SCALE: VARIES	FORM: A1	CONTRACTOR DOC. N°: 0469-TITA-C-FO-002-001	REV: 0	SHT. OF: 3
---------------	----------	--	--------	------------

CAD FILE N°

La TECHINT si riserva la proprietà di questo disegno con la proibizione di riprodurlo o trasferirlo a terzi senza autorizzazione scritta. This document is property of TECHINT. Reproduction and divulgation forbidden without written permission.