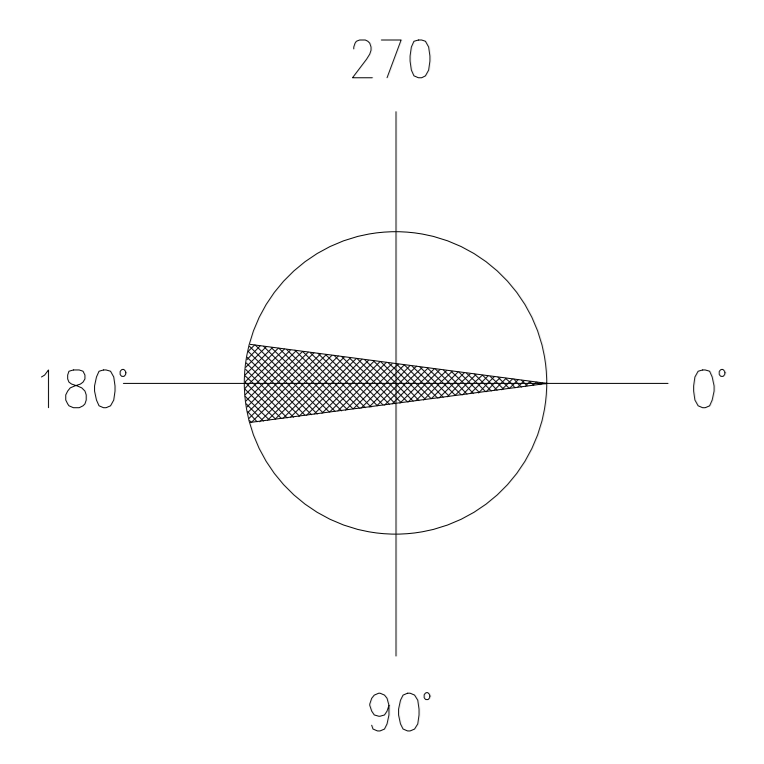


REFERENCE DRAWINGS / DISEGNI DI RIFERIMENTO	
DWG. N° / N° DIS	DESCRIPTIONS / DESCRIZIONE
D469-TITA-P-KP-000-001	KEY PLAN FOR UNIT PLOT PLAN
.....
.....
.....
.....

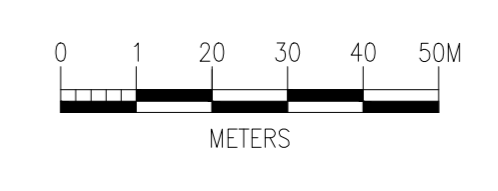
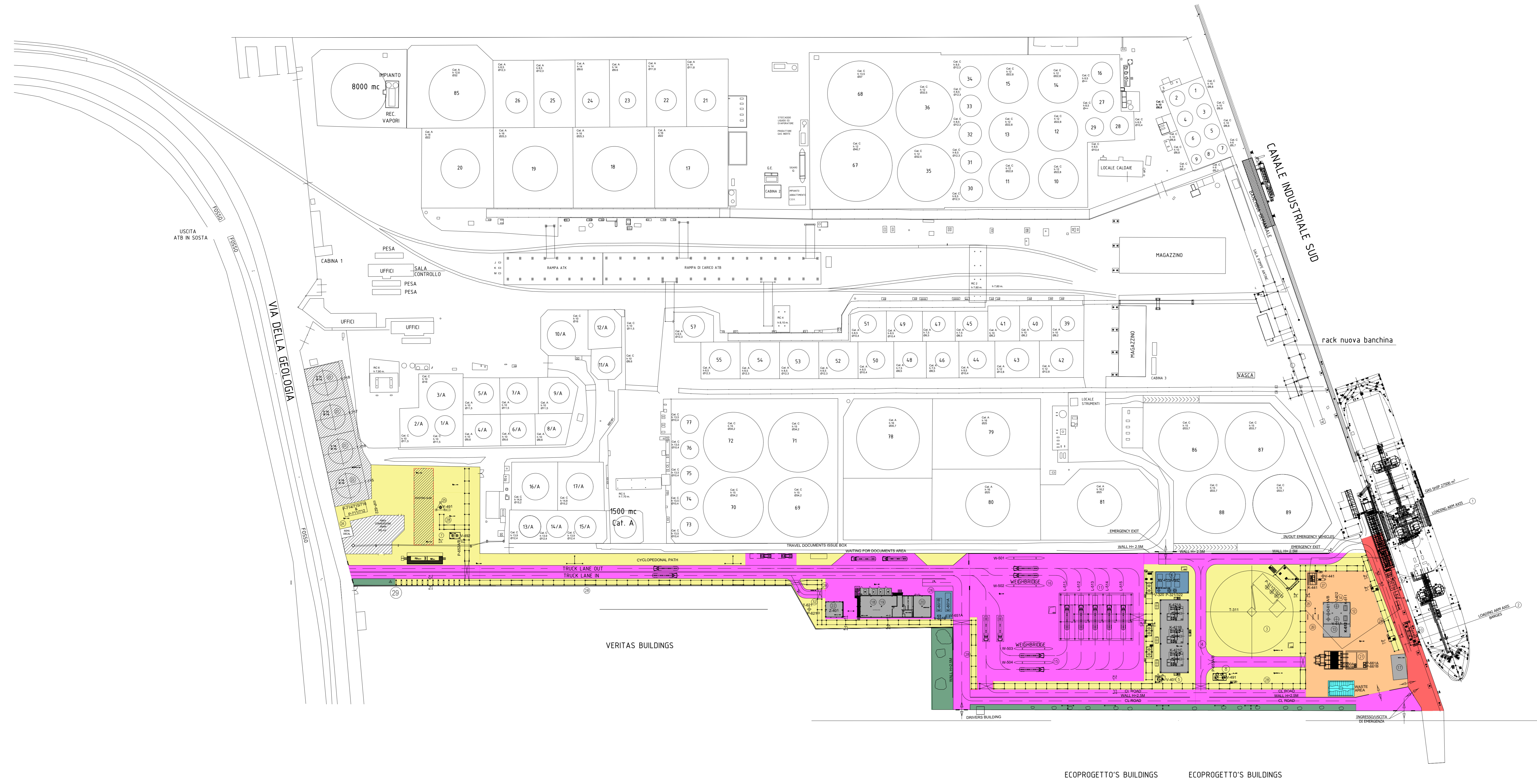


LEGEND

- ROADS AREA
- GRAVELLED AREA
- GRAVELLED AREA WITH GEOCELLS (CARRIAGEABLE)
- PAVED AREA
- PAVED AREA (KERBED)
- GREEN AREA (LANDSCAPE)
- BUILDINGS AND SHELTER AREA
- EXISTING SLAB
- EXISTING QUAY (NO ACTIVITIES TO BE CONSIDERED FOR THE EXISTING R.C. PAVING)

NOTES

- 1 - ALL DIMENSIONS AND ELEVATIONS ARE IN M.
- 2 - THE REFERENCE ELEVATION ± 0.000 M CORRESPONDES TO +2.500 M A.S.L.



REV.	DESCRIPTION	Author	CHKD	DATE	APPV	DATE
2	ISSUED FOR USE	SQL	GCA	DMR	OMA	07/09/20
1	FOR USE	SQL	GCA	DMR	OMA	10/06/20
0	ISSUED FOR APPROVAL	SQL	GCA	DMR	OMA	05/06/20

CONTRACTOR: **TECHINT** Engineering & Construction

COMPANY: **VeniceLNG**

PROJECT TITLE: **VENICE LNG FEED - VENICE LNG TERMINAL (PORTO MARGHERA)**

TITLE: **ROADS AND PAVED AREAS**

SCALE: 1:1000	FORM: AO	CONTRACTOR DOC. N°: 0469-TITA-C-GD-001-006	REV: 2	SHEET: 1 of 2
---------------	----------	--	--------	---------------

La TECHINT si riserva la proprietà di questo disegno con la proibizione di riprodurlo o trasferirlo a terzi senza autorizzazione scritta. This document is property of TECHINT. Reproduction and distribution forbidden without written permission.

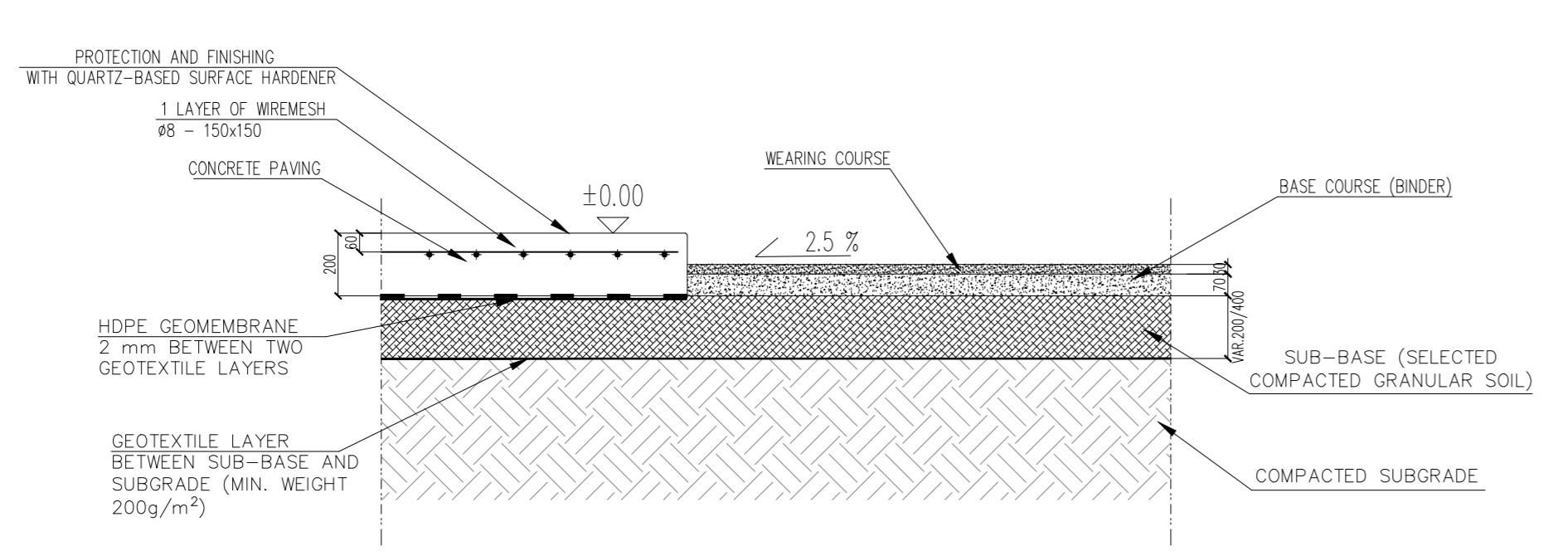
DWG. N° / N° DIS	DESCRIPTIONS / DESCRIZIONE
0469-TITA-P-KP-000-001	KEY PLAN FOR UNIT PLOT PLAN
.....
.....
.....
.....

NOTES

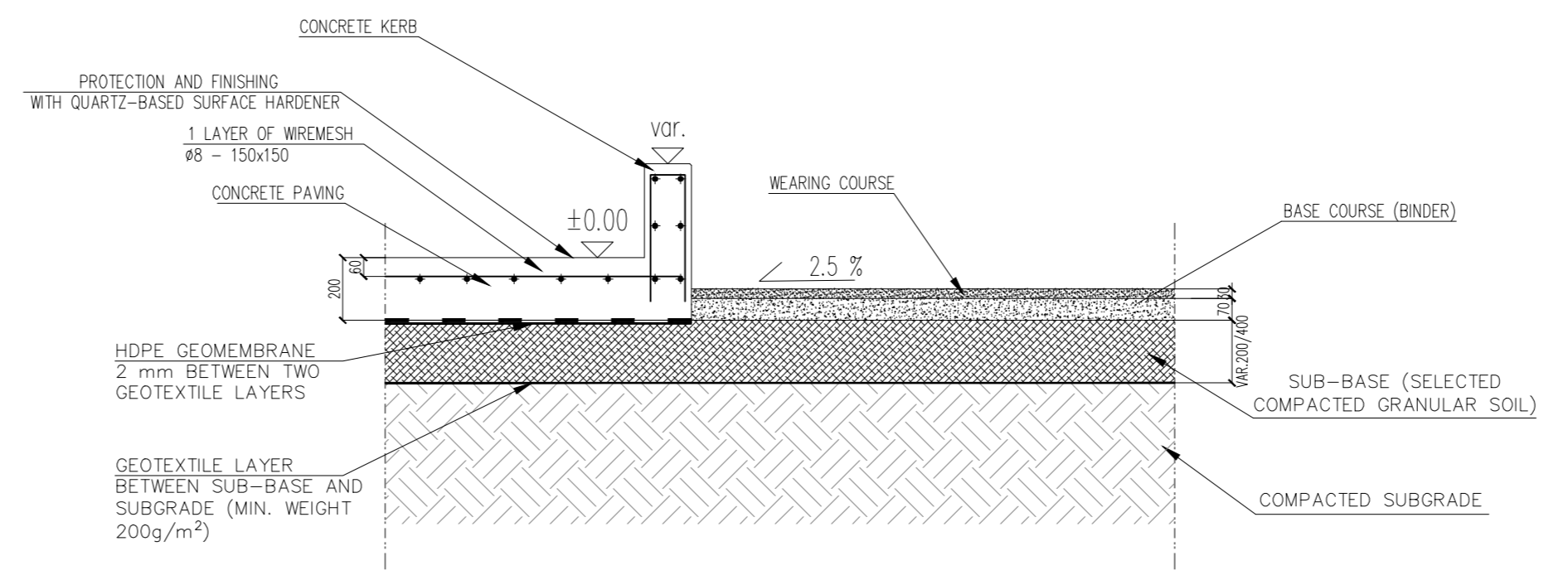
1 - ALL DIMENSIONS AND ELEVATIONS ARE IN MILLIMETERS

2 - THE REFERENCE ELEVATION ± 0.000 M CORRESPONDES TO +2.500 M A.S.L.

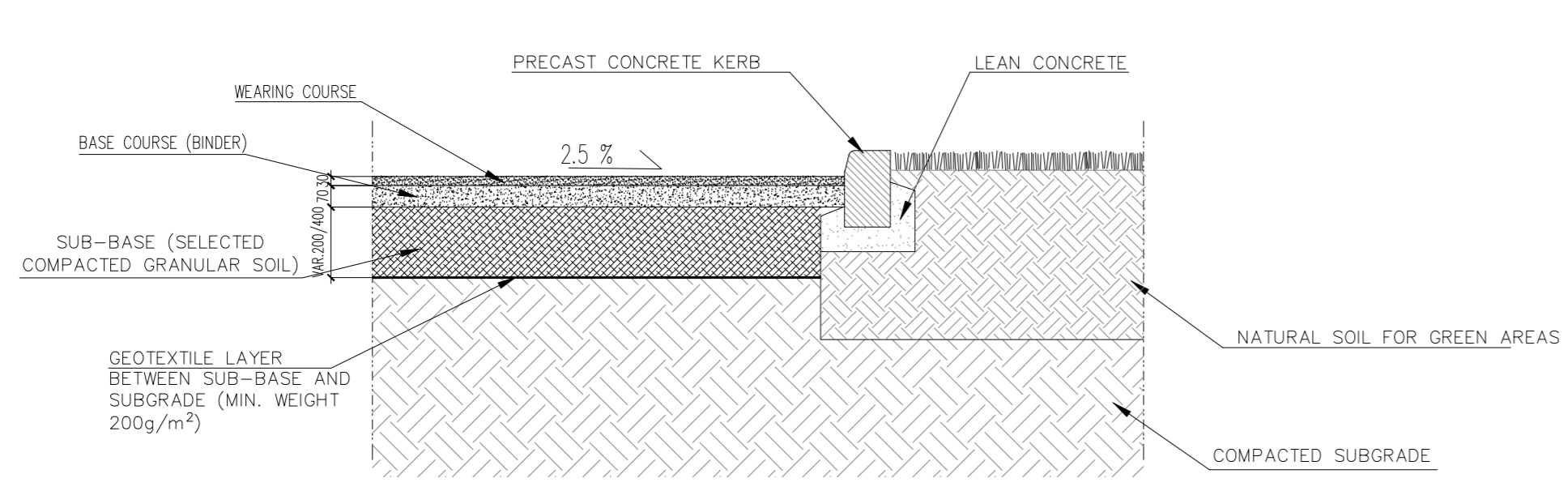
CONCRETE PAVING - ROAD CONSTRUCTION
SCALE 1:20



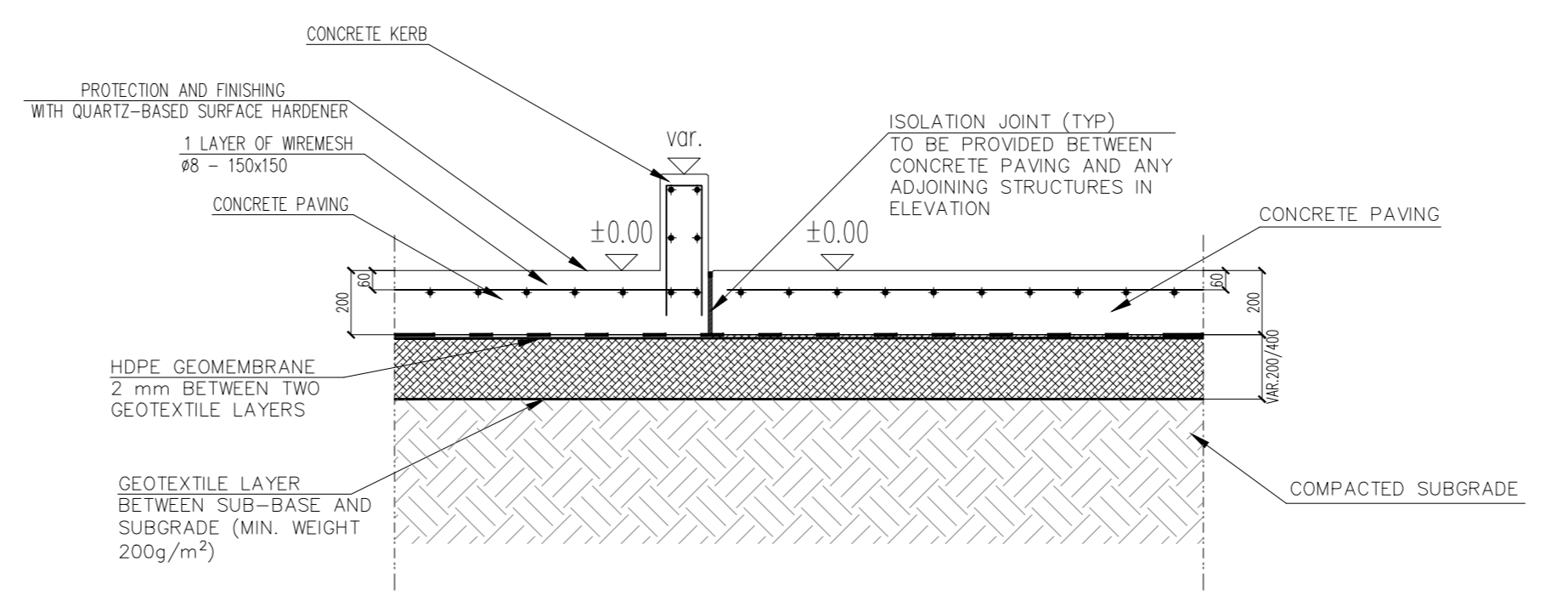
KERBED PAVED AREA - ROAD CONSTRUCTION
SCALE 1:20



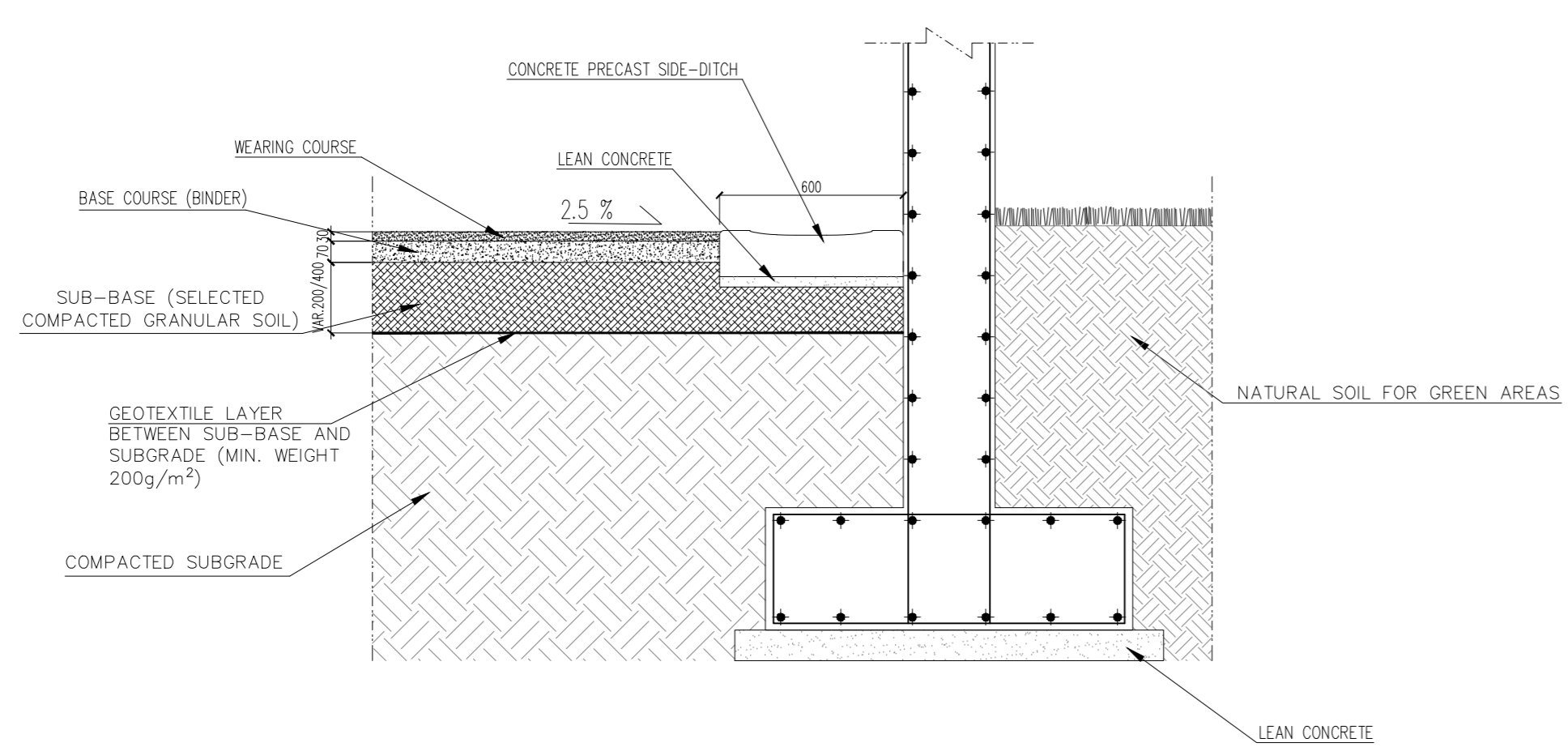
ROAD CONSTRUCTION - GREEN AREA
SCALE 1:20



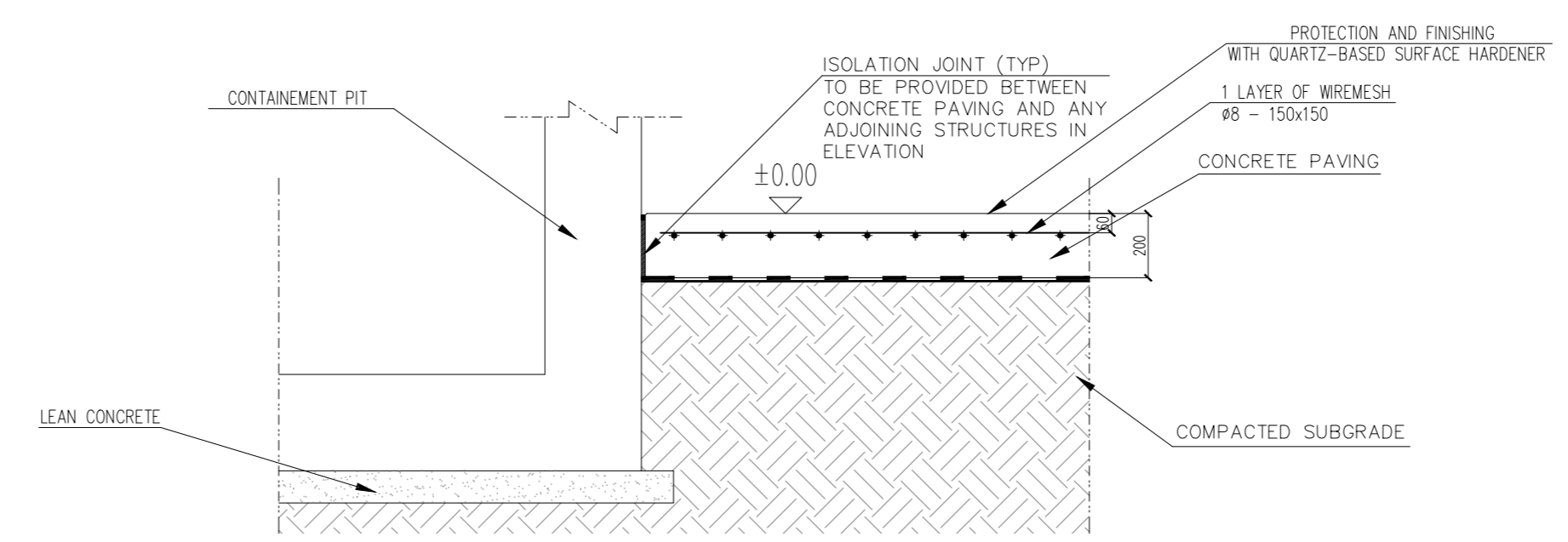
KERBED PAVED AREA - CONCRETE PAVING
SCALE 1:20



ROAD CONSTRUCTION - PERIMETER WALL
SCALE 1:20



CONTAINEMENT PIT - CONCRETE PAVING
SCALE 1:20



REV.	DESCRIPTION - Descrizione	PROF. Aut.	DMG	DMG	DMG	DMG	DMG	DMG	DMG
2	ISSUED FOR USE	SQL	GCA	DMR	OMA	OMA	OMA	OMA	07/09/20
1	FOR USE	SQL	GCA	DMR	OMA	OMA	OMA	OMA	10/06/20
0	ISSUED FOR APPROVAL	SQL	GCA	DMR	OMA	OMA	OMA	OMA	05/06/20

REVISIONS - Modifiche

CONTRACTOR: **TECHINT** Engineering & Construction

COMPANY: **VeniceLNG**

PROJECT TITLE: VENICE LNG
FEED - VENICE LNG TERMINAL (PORTO MARGHERA)

TITLE: ROADS AND PAVED AREAS

SCALE: 1:20	FORM: AO	CONTRACTOR DOC. N°: 0469-TITA-C-GD-001-006	REV: 2	SHT. OF: 2
-------------	----------	--	--------	------------

La TECHINT si riserva la proprietà di questo disegno con la proibizione di riprodurlo o trasferirlo a terzi senza autorizzazione scritta. This document is property of TECHINT. Reproduction and divulgation forbidden without written permission.