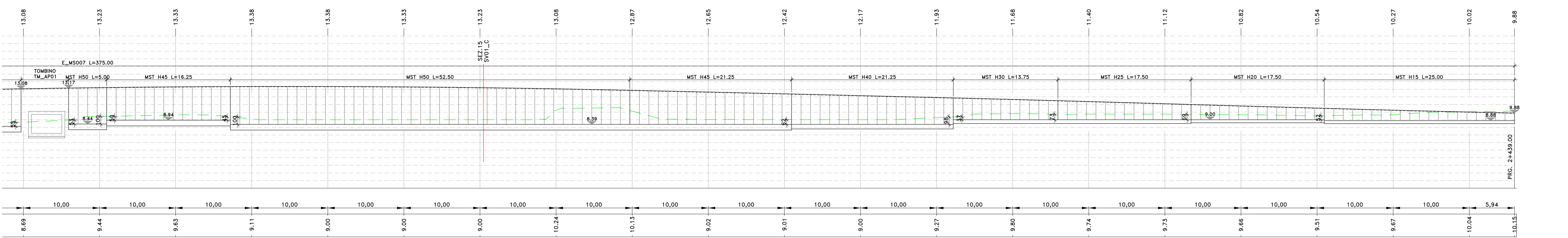
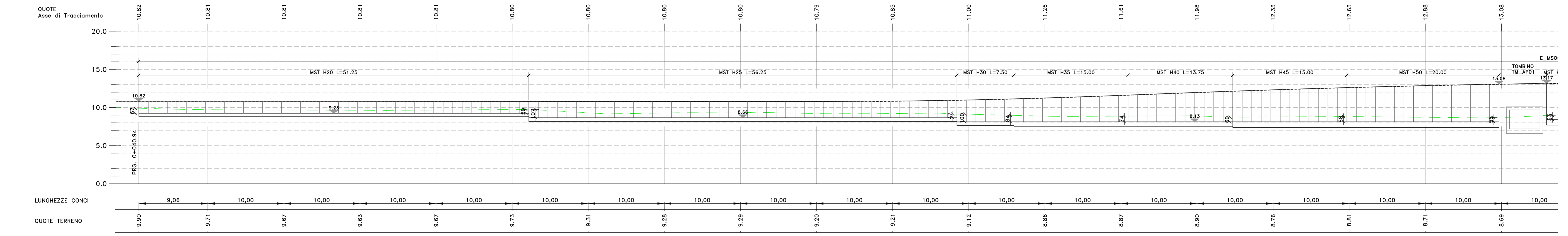
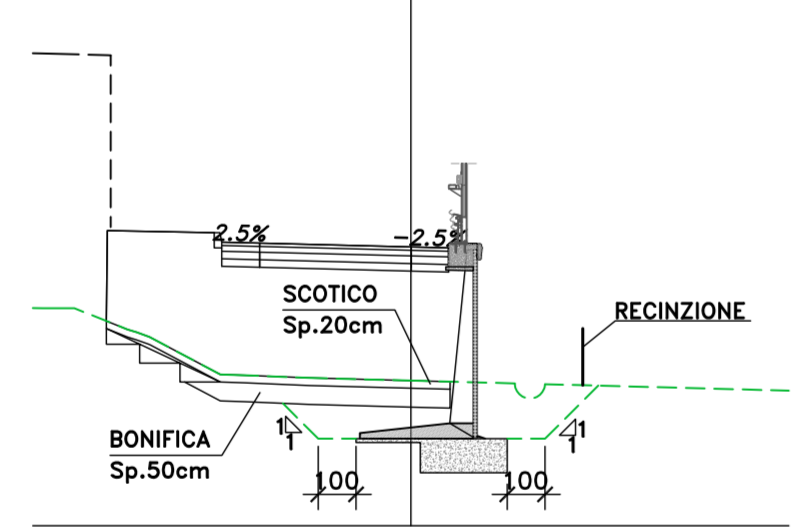


E_MSO10_SV01_C
Km 0+038.00 - 0+416.00
Scala : 200/200
Q.Rif. : 0.00

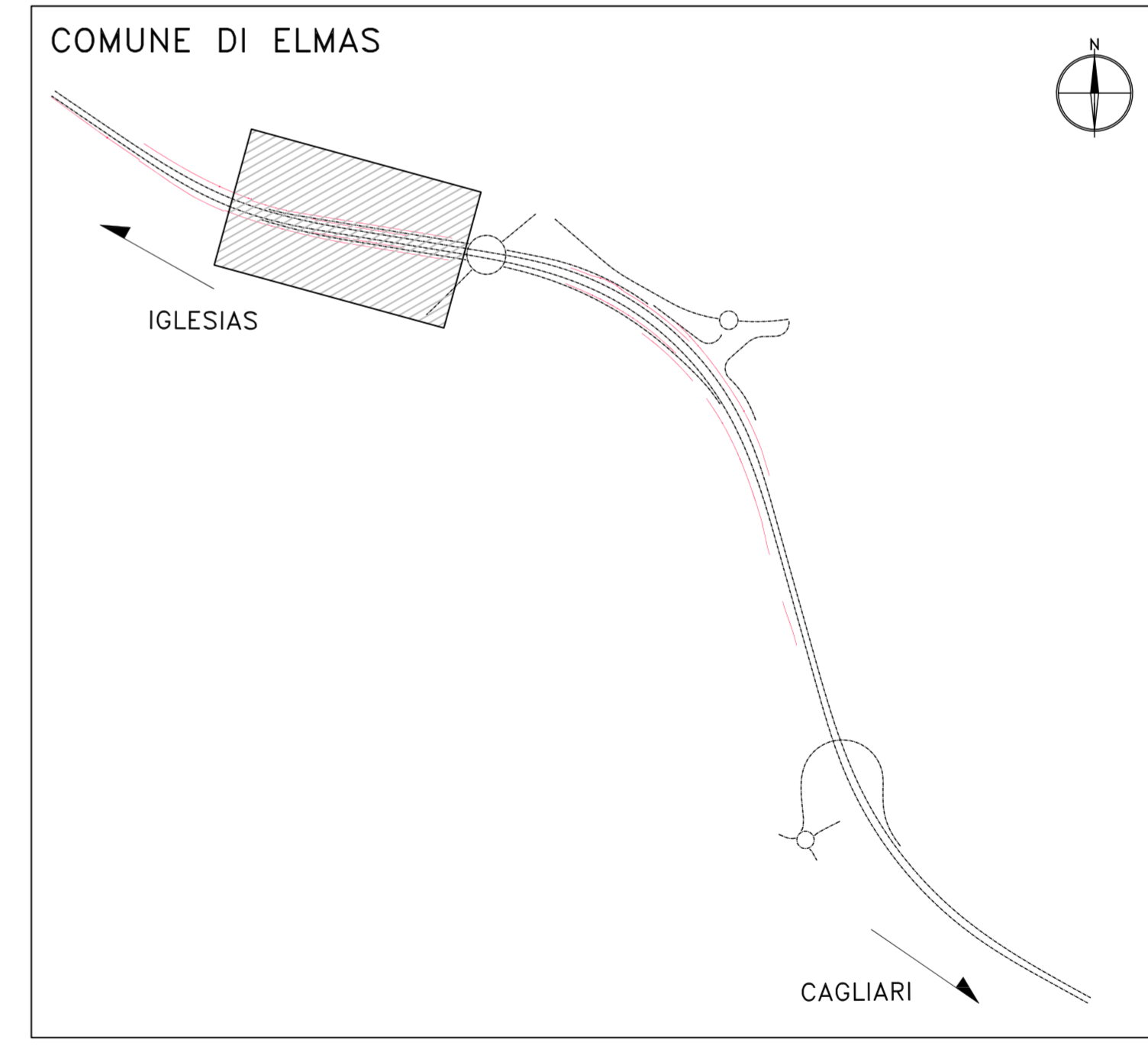


Materiali - Progr.0+320.00			
Materiali	Area (m²)	Vol. (m³)	Vol. (m³)
Stipato	28.43	822.81	
Scavo	0.00	0.00	
Scalfice	1.82	26.37	
Terrino vegetale	0.00	0.00	
Gradinatura	0.72	1.43.33	

SV01_D
Sez. 15
Progr.: 0+320.00
Scala : 1:200
Q.Rif. : 5.00



PROGRESSIVE TERRENO	PARZIALI TERRENO	QUOTE TERRENO	PROGRESSIVE PROGETTO	PARZIALI PROGETTO	QUOTE PROGETTO	QUOTE SOTTOFONDO
-10.00	3.41	10.76	-10.00	10.81	10.41	10.81
-9.41	0.57	10.75	-9.41	12.61	12.61	11.86
-8.84	1.41	10.75	-8.84	12.61	12.61	11.86
-8.43	1.86	10.75	-8.43	12.61	12.61	11.86
-8.00	1.86	10.75	-8.00	12.61	12.61	11.86
-7.57	1.70	10.75	-7.57	12.61	12.61	11.86
-7.14	2.69	10.75	-7.14	12.61	12.61	11.86
-6.71	0.88	10.75	-6.71	12.61	12.61	11.86
-6.28	10.00	10.75	-6.28	12.61	12.61	11.86
-5.85		10.75	-5.85	12.61	12.61	11.86
-5.42		10.75	-5.42	12.61	12.61	11.86
-4.99		10.75	-4.99	12.61	12.61	11.86
-4.56		10.75	-4.56	12.61	12.61	11.86
-4.13		10.75	-4.13	12.61	12.61	11.86
-3.70		10.75	-3.70	12.61	12.61	11.86
-3.27		10.75	-3.27	12.61	12.61	11.86
-2.84		10.75	-2.84	12.61	12.61	11.86
-2.41		10.75	-2.41	12.61	12.61	11.86
-1.98		10.75	-1.98	12.61	12.61	11.86
-1.55		10.75	-1.55	12.61	12.61	11.86
-1.12		10.75	-1.12	12.61	12.61	11.86
-0.69		10.75	-0.69	12.61	12.61	11.86
-0.26		10.75	-0.26	12.61	12.61	11.86
0.17		10.75	0.17	12.61	12.61	11.86
0.60		10.75	0.60	12.61	12.61	11.86
1.03		10.75	1.03	12.61	12.61	11.86
1.46		10.75	1.46	12.61	12.61	11.86
1.89		10.75	1.89	12.61	12.61	11.86
2.32		10.75	2.32	12.61	12.61	11.86
2.75		10.75	2.75	12.61	12.61	11.86
3.18		10.75	3.18	12.61	12.61	11.86
3.61		10.75	3.61	12.61	12.61	11.86
4.04		10.75	4.04	12.61	12.61	11.86
4.47		10.75	4.47	12.61	12.61	11.86
4.90		10.75	4.90	12.61	12.61	11.86
5.33		10.75	5.33	12.61	12.61	11.86
5.76		10.75	5.76	12.61	12.61	11.86
6.19		10.75	6.19	12.61	12.61	11.86
6.62		10.75	6.62	12.61	12.61	11.86
7.05		10.75	7.05	12.61	12.61	11.86
7.48		10.75	7.48	12.61	12.61	11.86
7.91		10.75	7.91	12.61	12.61	11.86
8.34		10.75	8.34	12.61	12.61	11.86
8.77		10.75	8.77	12.61	12.61	11.86
9.20		10.75	9.20	12.61	12.61	11.86
9.63		10.75	9.63	12.61	12.61	11.86
10.06		10.75	10.06	12.61	12.61	11.86
10.49		10.75	10.49	12.61	12.61	11.86
10.92		10.75	10.92	12.61	12.61	11.86
11.35		10.75	11.35	12.61	12.61	11.86
11.78		10.75	11.78	12.61	12.61	11.86
12.21		10.75	12.21	12.61	12.61	11.86
12.64		10.75	12.64	12.61	12.61	11.86
13.07		10.75	13.07	12.61	12.61	11.86
13.50		10.75	13.50	12.61	12.61	11.86
13.93		10.75	13.93	12.61	12.61	11.86
14.36		10.75	14.36	12.61	12.61	11.86
14.79		10.75	14.79	12.61	12.61	11.86
15.22		10.75	15.22	12.61	12.61	11.86
15.65		10.75	15.65	12.61	12.61	11.86
16.08		10.75	16.08	12.61	12.61	11.86
16.51		10.75	16.51	12.61	12.61	11.86
16.94		10.75	16.94	12.61	12.61	11.86
17.37		10.75	17.37	12.61	12.61	11.86
17.80		10.75	17.80	12.61	12.61	11.86
18.23		10.75	18.23	12.61	12.61	11.86
18.66		10.75	18.66	12.61	12.61	11.86
19.09		10.75	19.09	12.61	12.61	11.86
19.52		10.75	19.52	12.61	12.61	11.86
19.95		10.75	19.95	12.61	12.61	11.86
20.38		10.75	20.38	12.61	12.61	11.86
20.81		10.75	20.81	12.61	12.61	11.86
21.24		10.75	21.24	12.61	12.61	11.86
21.67		10.75	21.67	12.61	12.61	11.86
22.10		10.75	22.10	12.61	12.61	11.86
22.53		10.75	22.53	12.61	12.61	11.86
22.96		10.75	22.96	12.61	12.61	11.86
23.39		10.75	23.39	12.61	12.61	11.86
23.82		10.75	23.82	12.61	12.61	11.86
24.25		10.75	24.25	12.61	12.61	11.86
24.68		10.75	24.68	12.61	12.61	11.86
25.11		10.75	25.11	12.61	12.61	11.86
25.54		10.75	25.54	12.61	12.61	11.86
25.97		10.75	25.97	12.61	12.61	11.86
26.40		10.75	26.40	12.61	12.61	11.86
26.83		10.75	26.83	12.61	12.61	11.86
27.26		10.75	27.26	12.61	12.61	11.86
27.69		10.75	27.69	12.61	12.61	11.86
28.12		10.75	28.12	12.61	12.61	11.86
28.55		10.75	28.55	12.61	12.61	11.86
28.98		10.75	28.98	12.61	12.61	11.86
29.41		10.75	29.41	12.61	12.61	11.86
29.84		10.75	29.84	12.61	12.61	11.86
30.27		10.75	30.27	12.61	12.61	11.86
30.70		10.75	30.70	12.61	12.61	11.86
31.13		10.75	31.13	12.61	12.61	11.86
31.56		10.75	31.56	12.61	12.61	11.86
31.99		10.75	31.99	12.61	12.61	11.86
32.42		10.75	32.42	12.61	12.61	11.86
32.85		10.75	32.85	12.61	12.61	11.86
33.28		10.75	33.28	12.61	12.61	11.86
33.71		10.75	33.71	12.61	12.61	11.86
34.14		10.75	34.14	12.61	12.61	11.86
34.57		10.75	34.57	12.61	12.61	11.86



E_MSO10	L (m)	Volume Scavo sbancamento (m³)	Volume Scavo a sezione obbligata (m³)	mq rivestimento h: 0-2m	mq rivestimento h: 2-4m	mq rivestimento h: 4-6m	Volume fondazione (m³)	Volume magrone (m³)	Volume cordolo (m³)	Volume veletta (m³)
MST 20	51,25	75,003	52,275	102,500			52,275	6,406		
MST 25	56,25	140,648	57,375		140,625		57,375	7,031		
MST 30	7,5	25,901	9,975		22,500		9,975	0,863		
MST 35	15	41,087	19,950		52,500		19,950	1,950		
MST 40	13,75	29,355	23,100		55,000		23,100	1,925		
MST 45	15	19,392	25,200			67,500	25,200	2,400		
MST 45	16,25	50,141	51,750			125,000	51,750	4,250		
MST 50	52,5	14,955	27,300			73,125	27,300	2,600		
MST 50	52,5	285,469	108,675			262,500	108,675	8,925		
MST 45	21,25	81,443	35,700			95,625	35,700	3,400		
MST 40	21,25	43,669	35,700		85,000		35,700	2,975		
MST 30	13,75	14,180	18,288		41,250		18,288	1,581		
MST 25	17,5	23,636	17,850		43,750		17,850	2,188		
MST 20	17,5	19,084	17,850	35,000			17,850	2,188		
MST 15	25	38,890	18,750	37,500			18,750	3,375		
TOTALI	368,75	902,85	519,74	175,00	440,63	623,75	519,74	52,06	184,38	14,75

Sanas
GRUPPO FS ITALIANE
Direzione Progettazione e Realizzazione Lavori

S.S. n.130 "Iglesiente"
Eliminazione degli incroci a raso da Cagliari a Decimomannu da km 3+000 a 15+600

PROGETTO DEFINITIVO

PROGETTAZIONE: **ATI VIA - LOTTI - SERING - VDP - BRENG**

PROGETTISTA E RESPONSABILE DELL'INTEGRAZIONE DELLE PRESTAZIONI SPECIALISTICHE:
 Dott. Ing. Francesco Acciari (Ord. Ing. Prov. Roma 14711)

GRUPPO DI PROGETTAZIONE AMMINISTRATIVO:
VIA INGEGNERIA
LOTTI INGEGNERIA
SERING INGEGNERIA
VDP
BRENG

RESPONSABILI D'AREA:
 Responsabile Topografia: Dott. Ing. Massimo Capasso (Ord. Ing. Prov. Roma 26371)
 Responsabile Stradale: Dott. Ing. Giovanni Pizzari (Ord. Ing. Prov. Roma 27261)
 Responsabile Stradale, Geotecnica e Impianti: Dott. Ing. Sergio Di Masi (Ord. Ing. Prov. Palermo 2872)
 Responsabile Ambiente: Dott. Ing. Francesco Ventura (Ord. Ing. Prov. Roma 14660)

GEOLOGO:
 Dott. Geol. Enrico Curcuruto (Ord. Geol. Regione Sicilia 946)

COORDINATORE SICUREZZA IN FASE DI PROGETTAZIONE:
 Dott. Ing. Sergio Di Masi (Ord. Ing. Prov. Palermo 2872)

RESPONSABILE SIA:
 Dott. Ing. Francesco Ventura (Ord. Ing. Prov. Roma 14660)

VEDI: IL RESPONSABILE DEL PROCEDIMENTO:
 Dott. Ing. Francesco Curcio

OPERE D'ARTE MINORI
OPERE DI SOSTEGNO
 Sezioni
Muro E_MSO10

CODICE PROGETTO: CA316/351
 NOME FILE: CA316_P010S00STRSL01-13A
 REVISIONE: A
 SCALA: 1:200

PROGETTO: CA316/351
 LIV. PROG. ANNO: D 19
 CODICE ELAB.: P010S00STRSL10

REV.	DESCRIZIONE	DATA	REDATTO	VERIFICATO	APPROVATO
A	EMMISSIONE	MAR. 2020	G. BERNARDINI	G. PIZZI	F. NICCOLARELLI

</