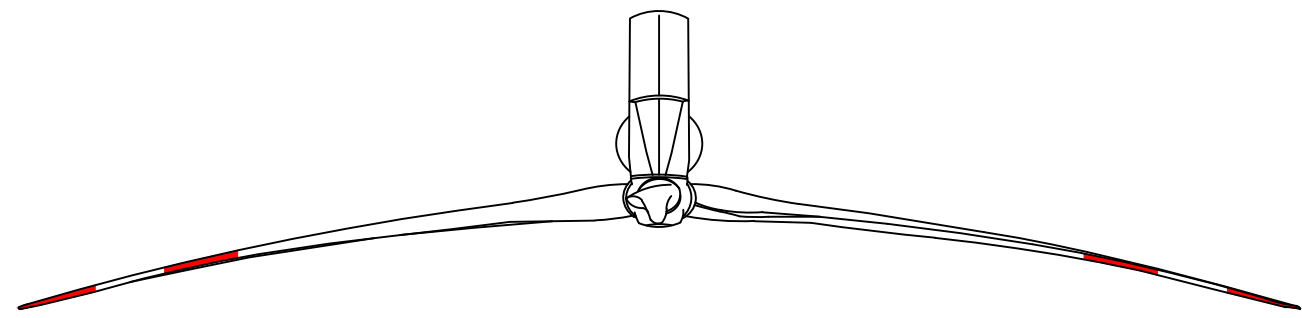


Luce bianca
intermittente (2000 cd)

TUTTI GLI AEROGENERATORI SARANNO
PROVVISTI DI SEGNALAZIONE CROMATICA
(DIURNA) E LUMINOSA (NOTTURNA)



00	24/11/2020	EMISSIONE	BFP	BFP	BFP
REV.	DATE	DESCRIPTION	ZINGARELLI	MIGLIONICO	BISCOTTI
			PREPARED	CHECKED	APPROVED

CONTRACTOR'S LOGO

 Via Napoli, 36/37 - 70132 Bari - Italy
 tel (+39) 0805546361 - fax (+39) 0805619384
 www.bfpgroup.net - info@bfpgroup.net

PROJECT: SALICE SALENTINO-VEGLIE

FILE NAME: GRE.EEC.D.73.IT.W.15000.00.101.00_SCHEMA AEROGENERATORE TIPO

CLASSIFICATION: **FORMAT:** A2 **SCALE:** 1:1.000 **PLOT SCALE:** **SHEET:** 1 di / of 1

UTILIZATION SCOPE: **TITLE:** SCHEMA AEROGENERATORE TIPO

Engineering & Construction

GRE VALIDATION

VALIDATED BY: TAMMA
 VERIFIED BY: MIRRA
 COLLABORATORS: TAMMA

GRE CODE

GROUP	FUNCTION	TYPE	ISSUER	COUNTRY	TEC.	PLANT	SYSTEM	PROGRESSIVE	REVISION
GRE	EEC	D	73	I	TW	15000	0000	010	100

This document is property of Enel Green Power SpA. It is strictly forbidden to reproduce this document, in whole or in part, and to provide to others any related information without the previous written consent by Enel Green Power SpA.