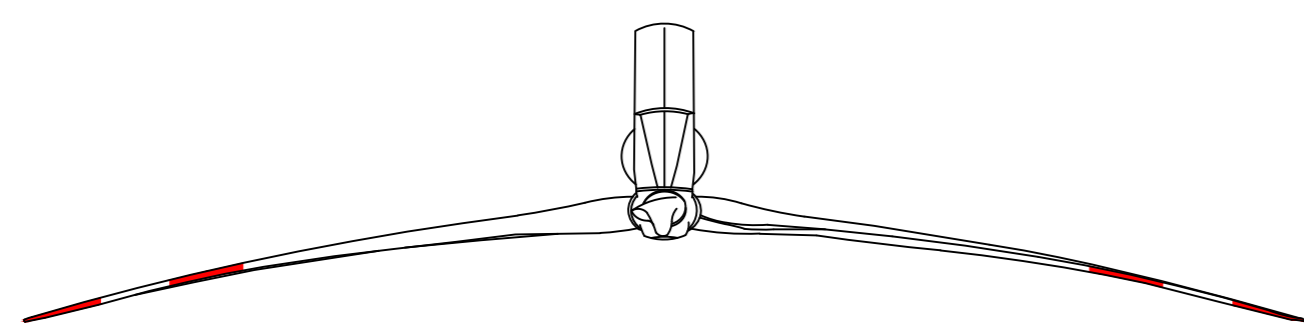


Luce bianca
intermittente (2000 cd)

TUTTI GLI AEROGENERATORI
SARANNO PROVISTI DI SEGNALAZIONE
CROMATICA (DIURNA) E LUMINOSA (NOTTURNA)



00	20/11/2020	first issue	BFP	BFP	BFP
			ZINGARELLI	MIGLIONICO	BISCOTTI
			PREPARED	CHECKED	APPROVED

CONTRACTOR'S LOGO

 Via Napoli, 36/37 - 79132 Bari - Italy
 tel (+39) 0805462632 - fax (+39) 0805612294
 www.bfpgroup.net - info@bfpgroup.net

PROJECT: **CANDELA**
 FILE NAME: **GRE.EEC.D.73.IT.W.15001.00.052.00_SCHEMA AEROGENERATORE TIPO**

Engineering & Construction
 GRE VALIDATION

CLASSIFICATION: **A2** FORMAT: **1:1.000** PLOT SCALE: **1 di / of 1**

UTILIZATION SCOPE: **SCHEMA AEROGENERATORE TIPO**

VALIDATED BY: **Pansini**
 VERIFIED BY: **Mirra**
 COLLABORATORS: **Pansini**

GRE CODE									
GROUP	FUNCTION	TYPE	ISSUER	COUNTRY	TEC.	PLANT	SYSTEM	PROGRESSIVE	REVISION
GRE	EEC	D	73	I	TW	15001	1000	5200	

This document is property of Enel Green Power SpA. It is strictly forbidden to reproduce this document, in whole or in part, and to provide to others any related information without the previous written consent by Enel Green Power SpA.