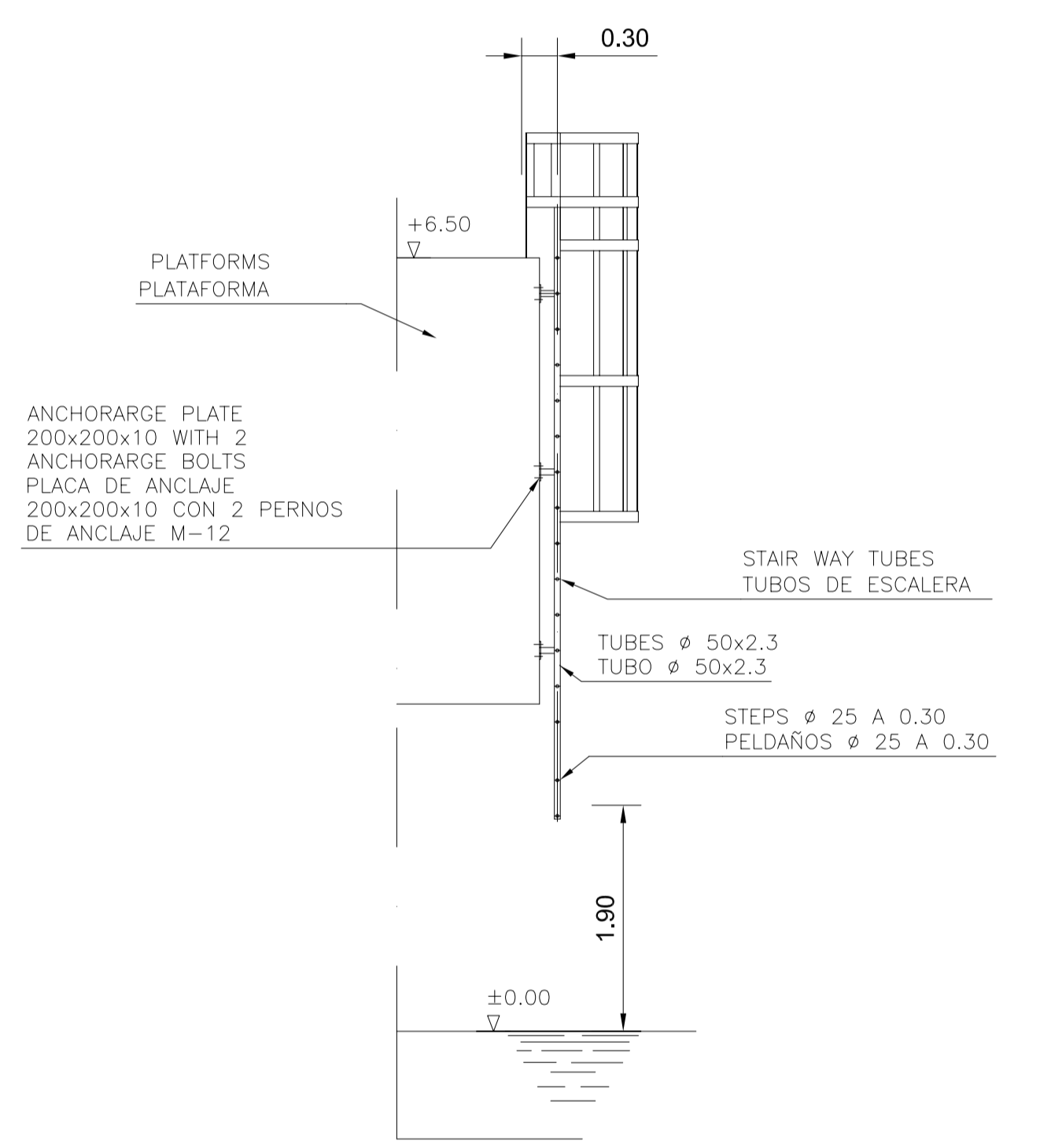
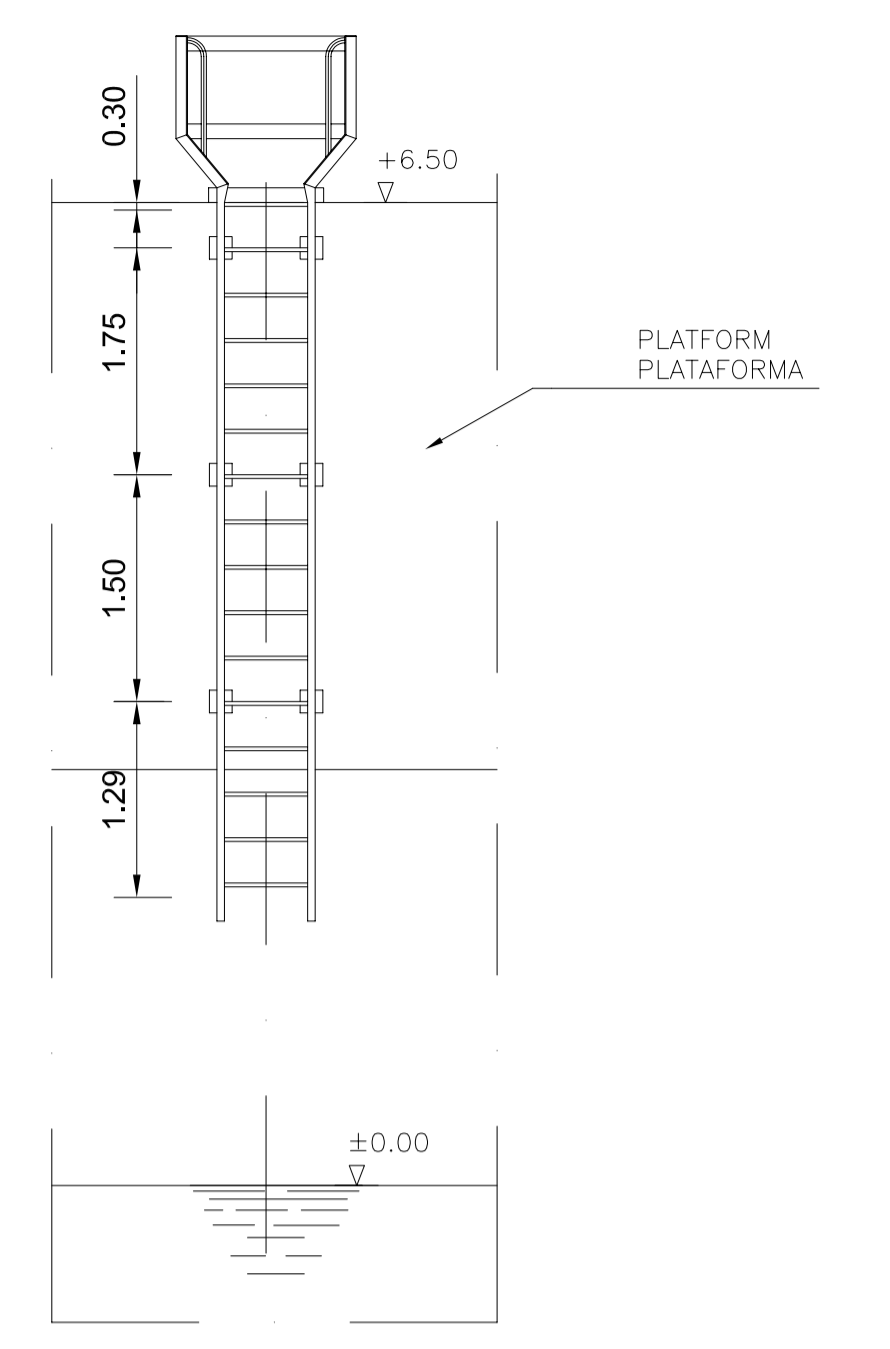
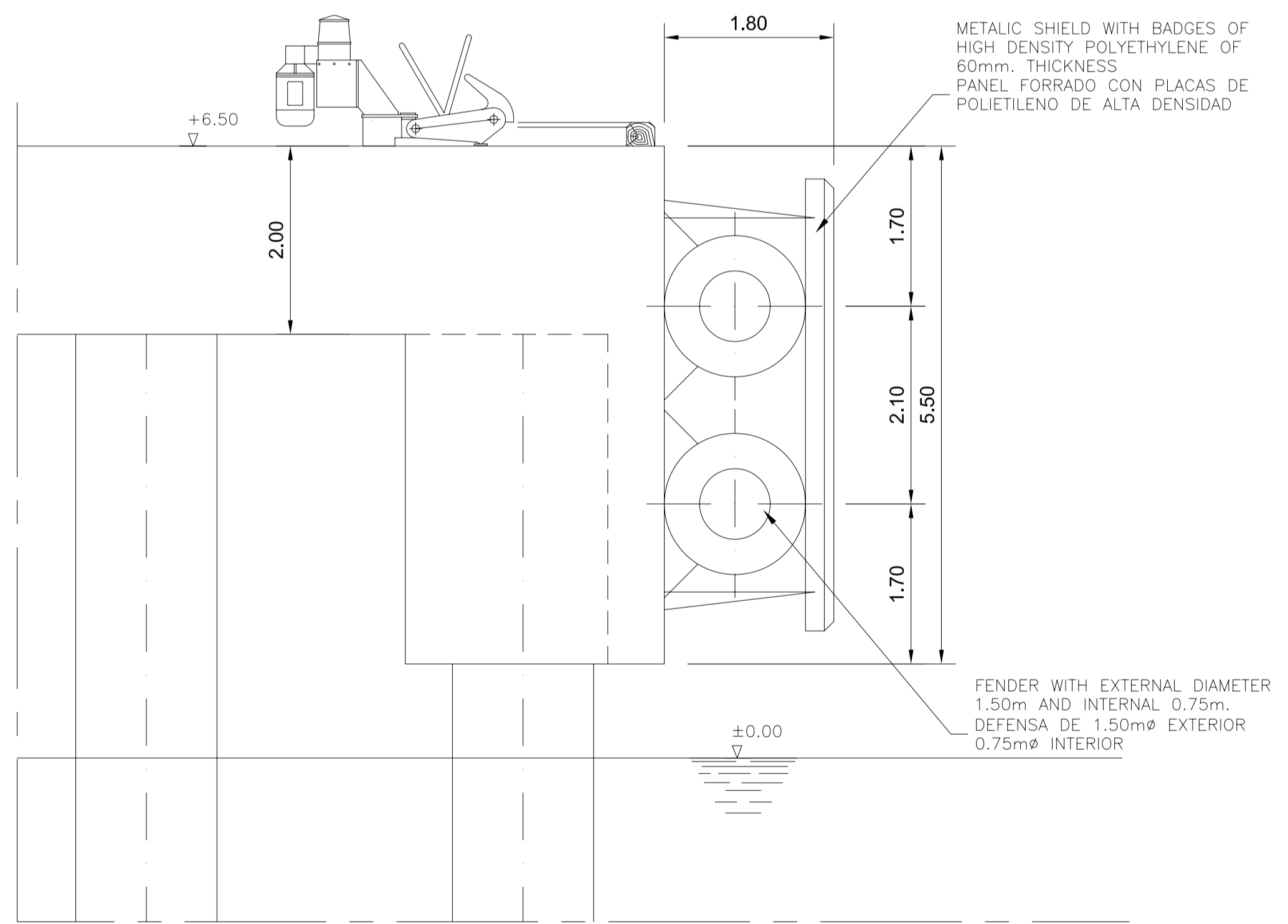


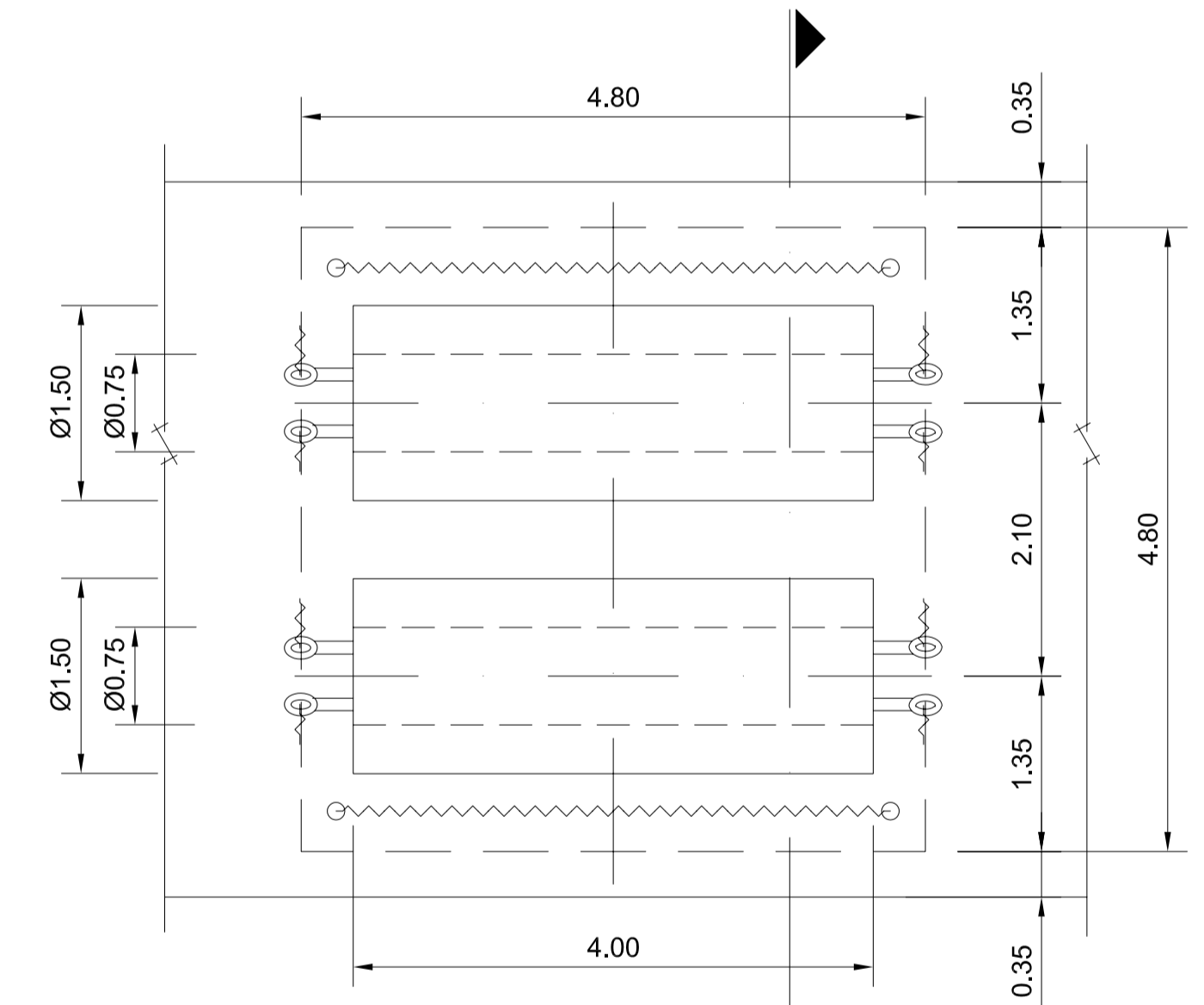
QUICK RELEASE HOOKS SITUATION PLAN
SCALE 1/750
PLANTA SITUACION GANCHOS ESCAPE RAPIDO
ESCALA 1/750



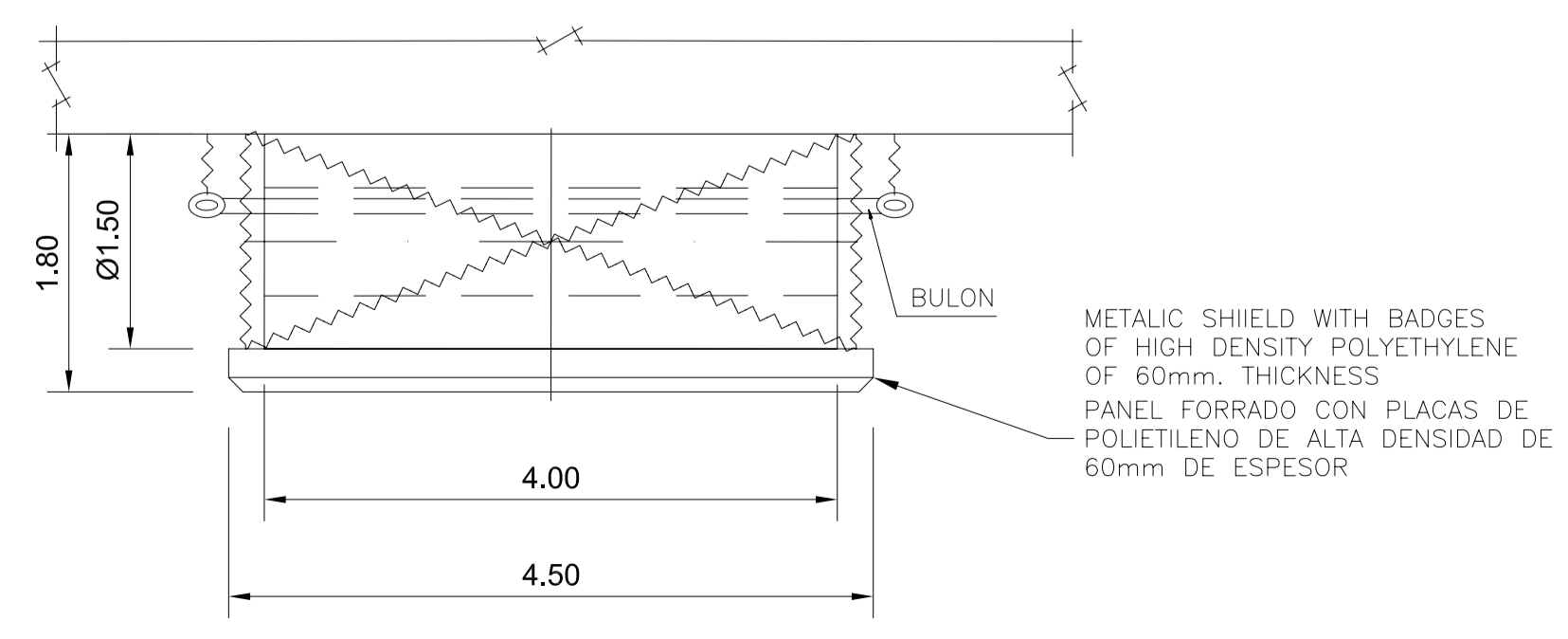
GEOMETRICAL STAIR
SCALE: 1/50
ESCALERA DE PATES
ESCALA: 1/50



SECTION A FENDERS
SCALE: 1/50
SECCION A DEFENSAS
ESCALA: 1/50



CILINDRICAL FENDERS FRONT
SCALE: 1/50
ALZADO DEFENSAS
ESCALA: 1/50



CILINDRICAL FENDERS PLAN
SCALE: 1/50
PLANTA DE LAS DEFENSAS
ESCALA: 1/50



TITLE OF PROJECT: BASIC PROJECT FOR THE NEW REGASIFICATION TERMINAL FOR LIQUEFIED NATURAL GAS IN THE PORT OF TARANTO (ITALY)			ENGINEERING CONSULTANTS: grupo alatec Ingenieros consultores y arquitectos
PLANE N°: 14	PLANE NAME: QUICK RELEASE HOOKS AND GENERIC DETAILS FOR PLATFORM	DATE: MARCH 2005	
SHEET: 1 de 1	REVISION N°: 0	THE CIVIL ENGINEER AUTHOR OF DE PROJECT: <i>Miguel Ángel Gómez-Caldito</i> D. Miguel Ángel Gómez-Caldito	
SCALES: 1/750 1/50	GRAPHICS SCALES: 	CAD PLANE DO NOT REVIEW MANUALLY	