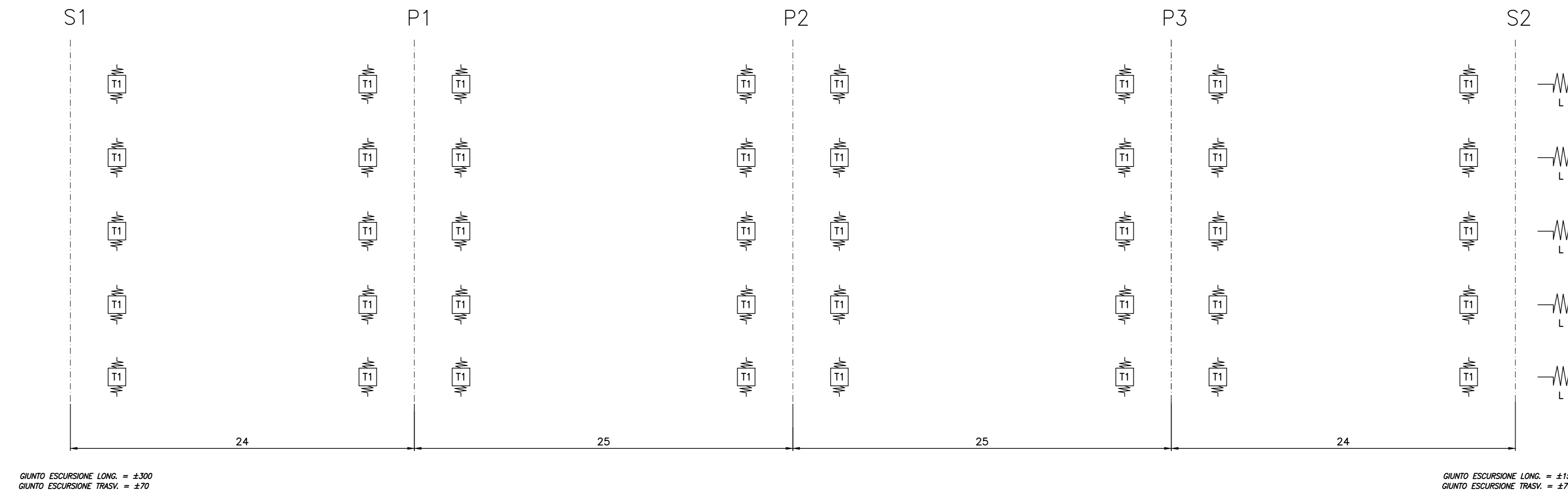


SCHEMA DI VINCOLO



LEGENDA: APPOGGI UNIDIREZIONALE LONGITUDINALE A REAZIONE ELASTOPLASTICA TRASVERSALE, RITEGNO SISMICO ELASTOPLASTICO

Table with 10 columns: SOTTOSTRUTTURE, SIGLA, CARICHI [kN], ESCURS. [mm], F1 [kN], F2 [kN], d1 [mm], d2 [mm]. Rows include S1 and S1-P1-P2-P3-S2.

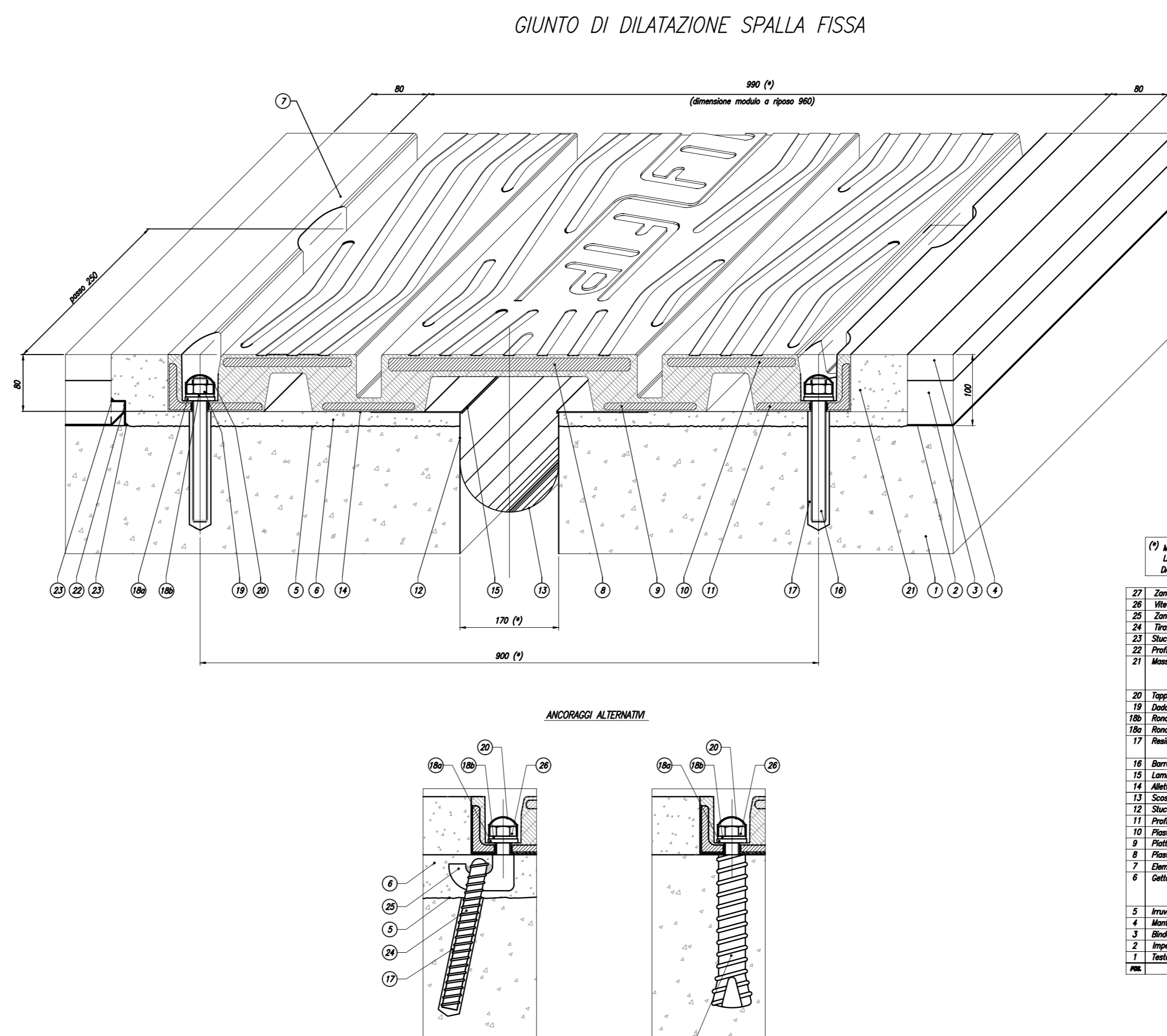
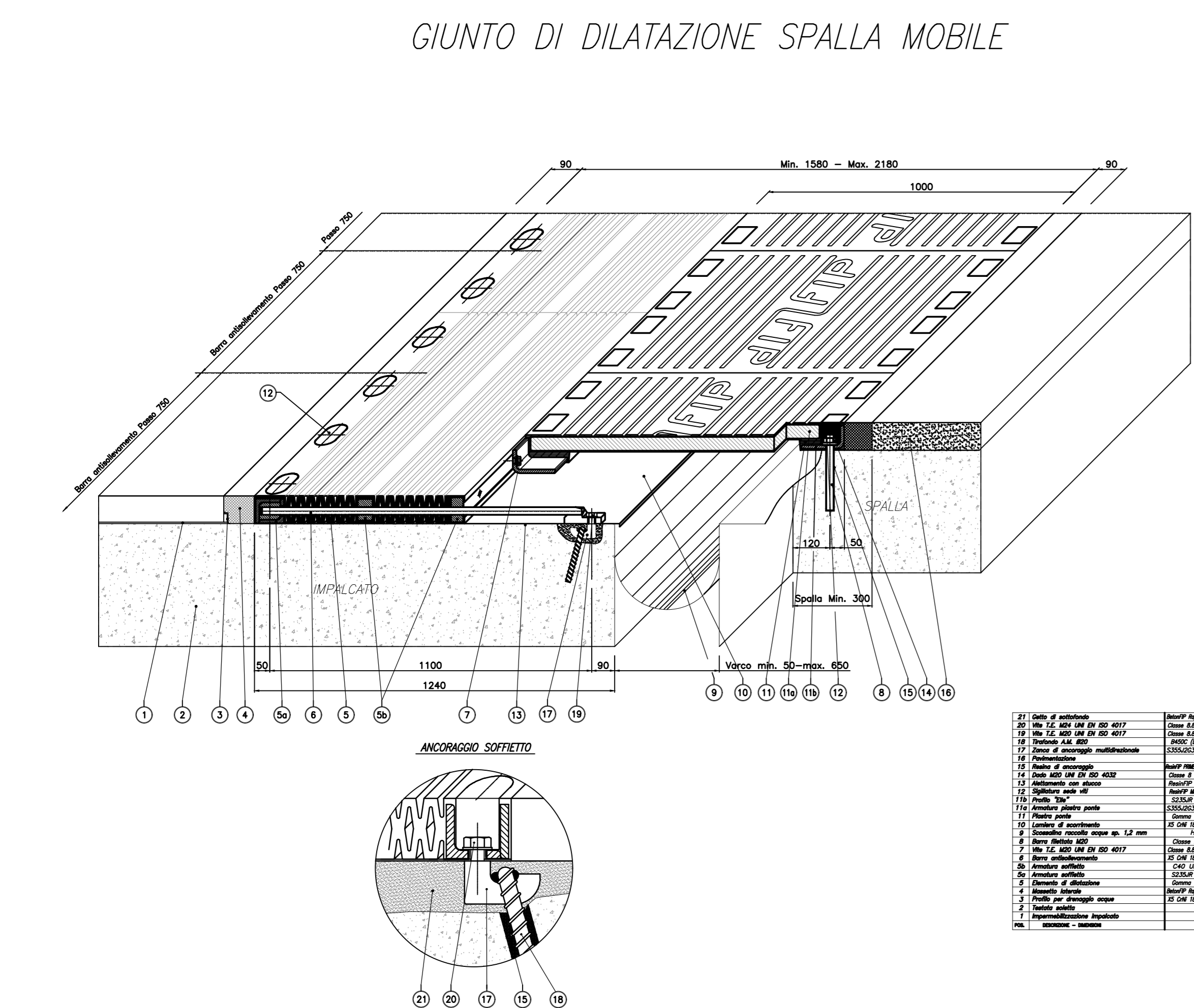
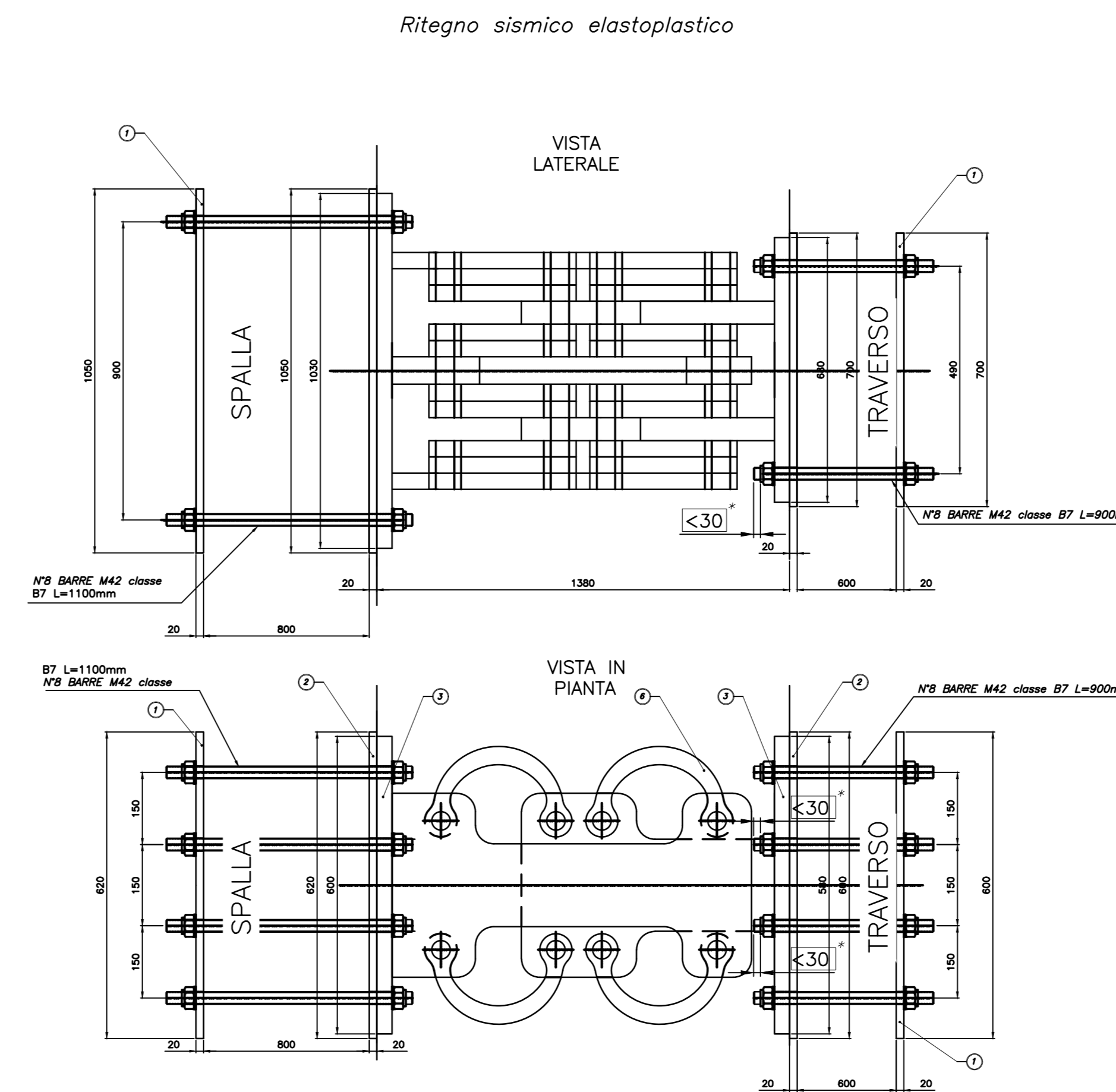
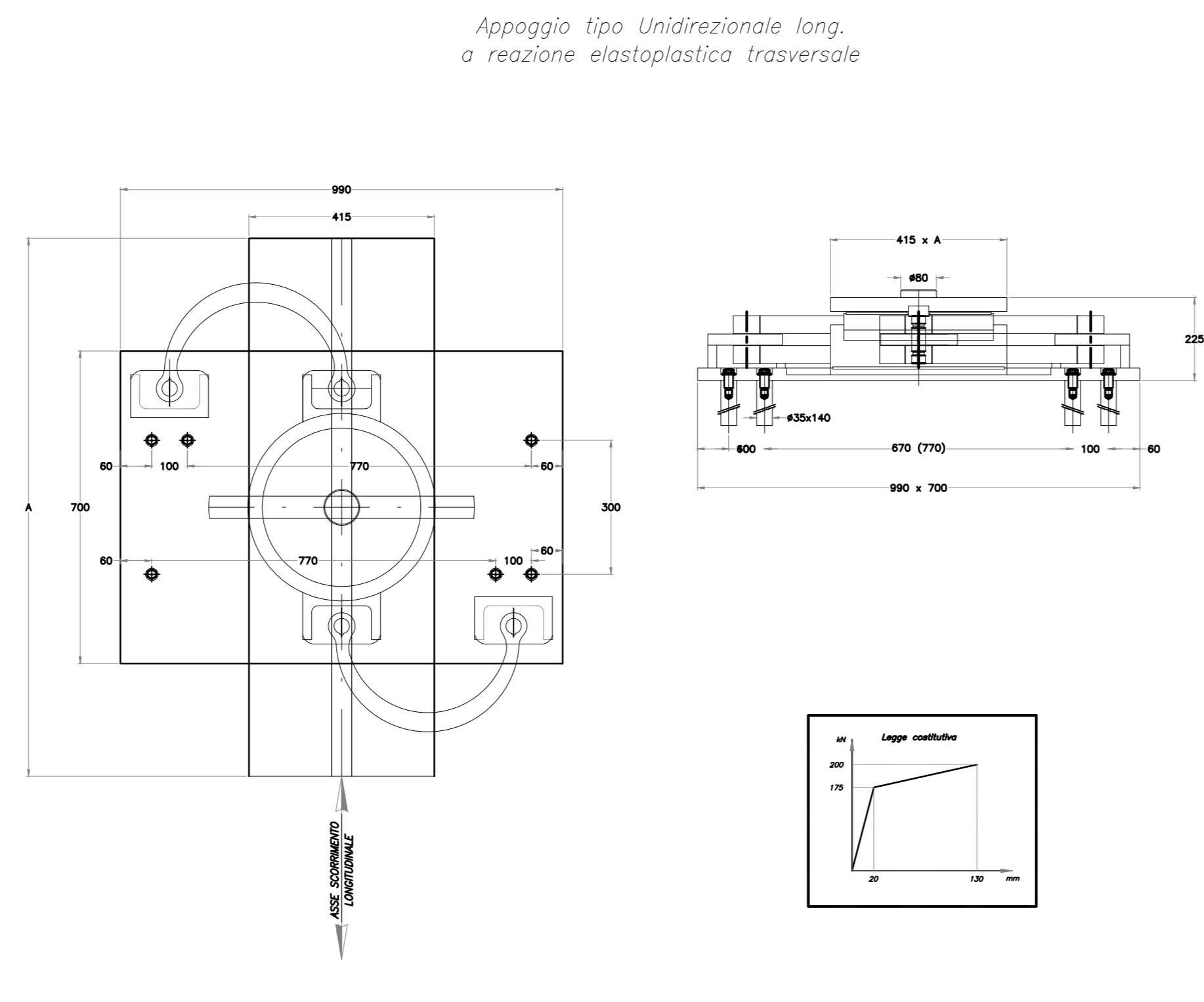
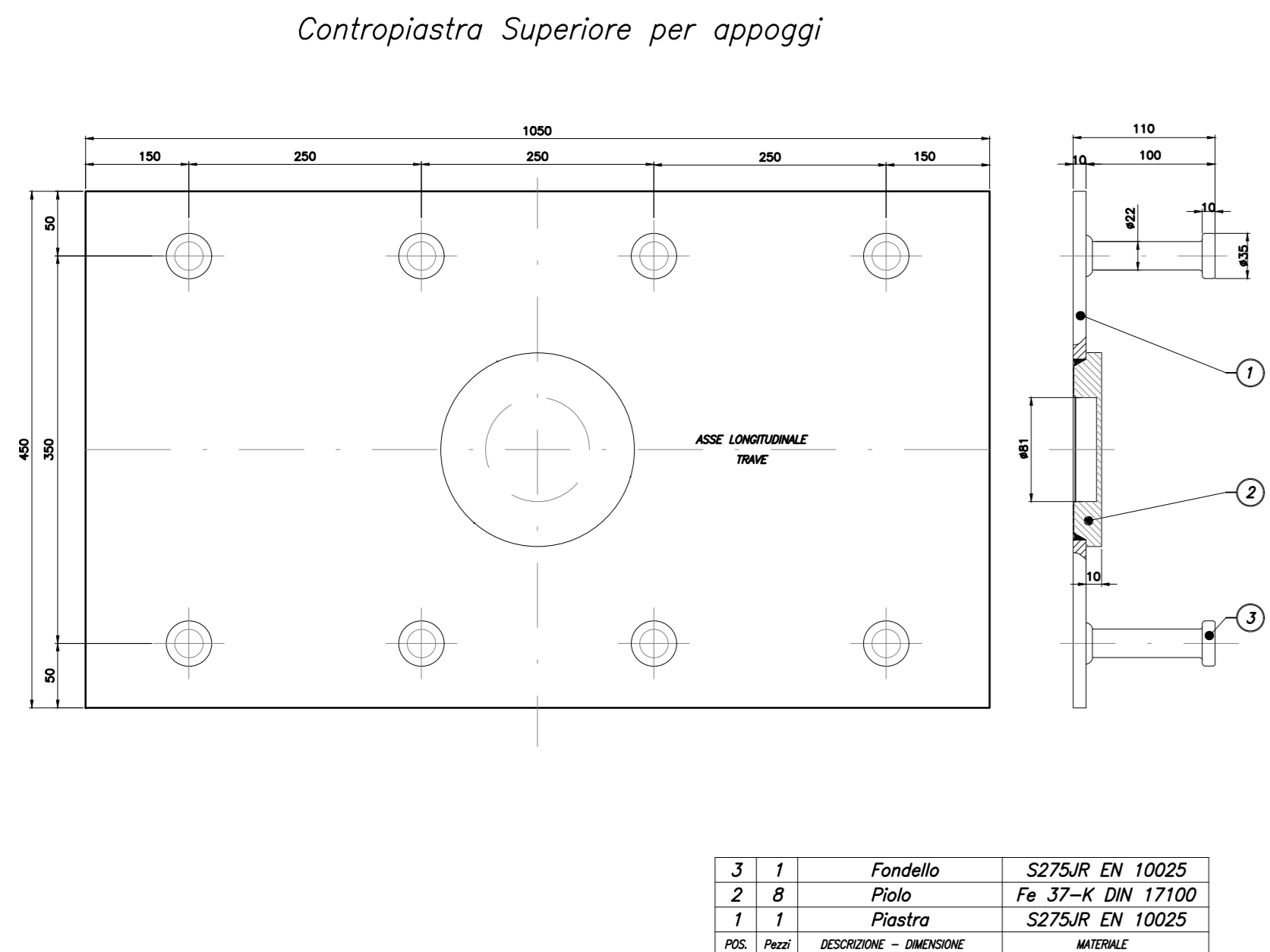


Table of notes (NOTE) and material specifications (MATERIE) for the expansion joints, including material types and quantities.

Project information block for 'ASSE VIARIO MARCHE-UMBRIA E QUADRILATERO DI PENETRAZIONE INTERNA'. Includes logo of Quadilatero Marche Umbria S.p.A., project location, design team (Dirpa 2, etc.), and a revision table.