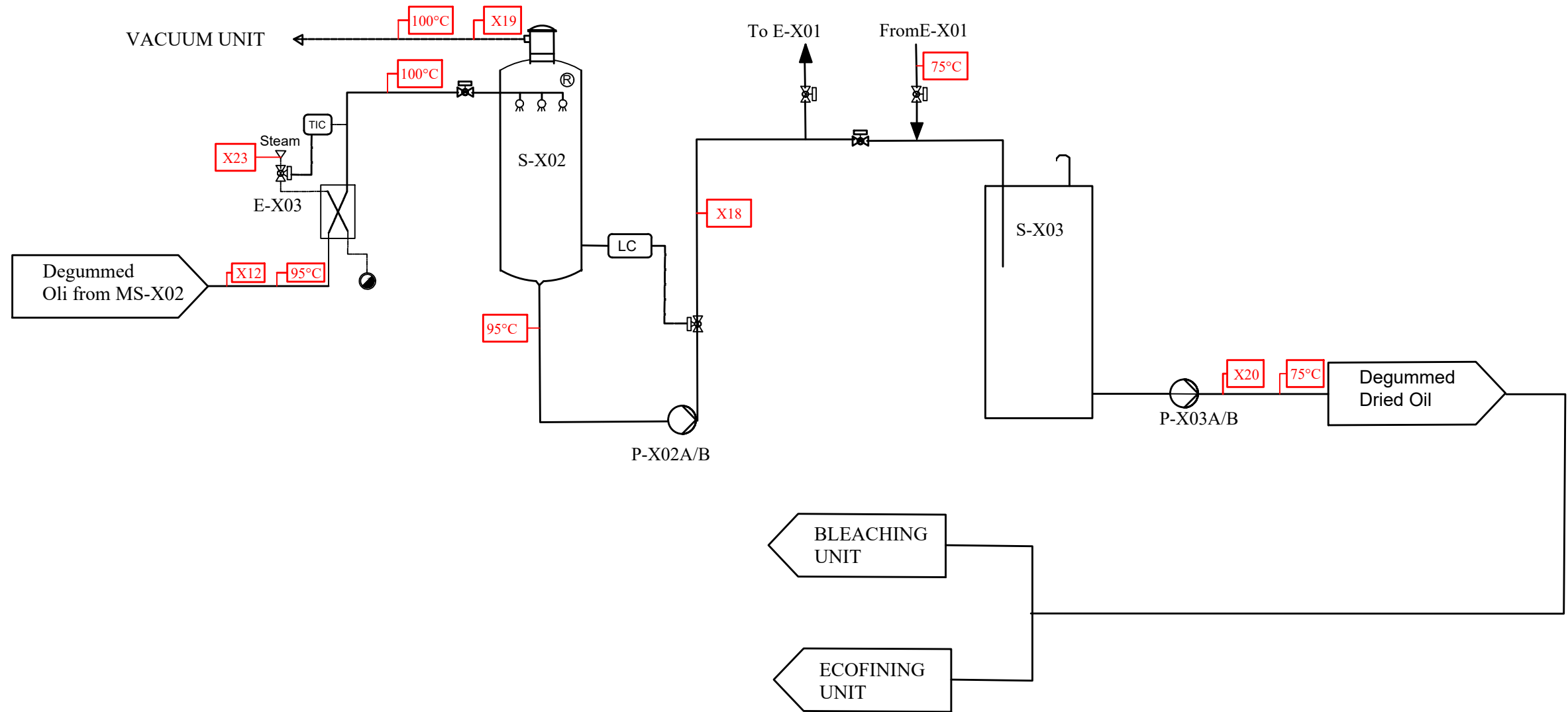
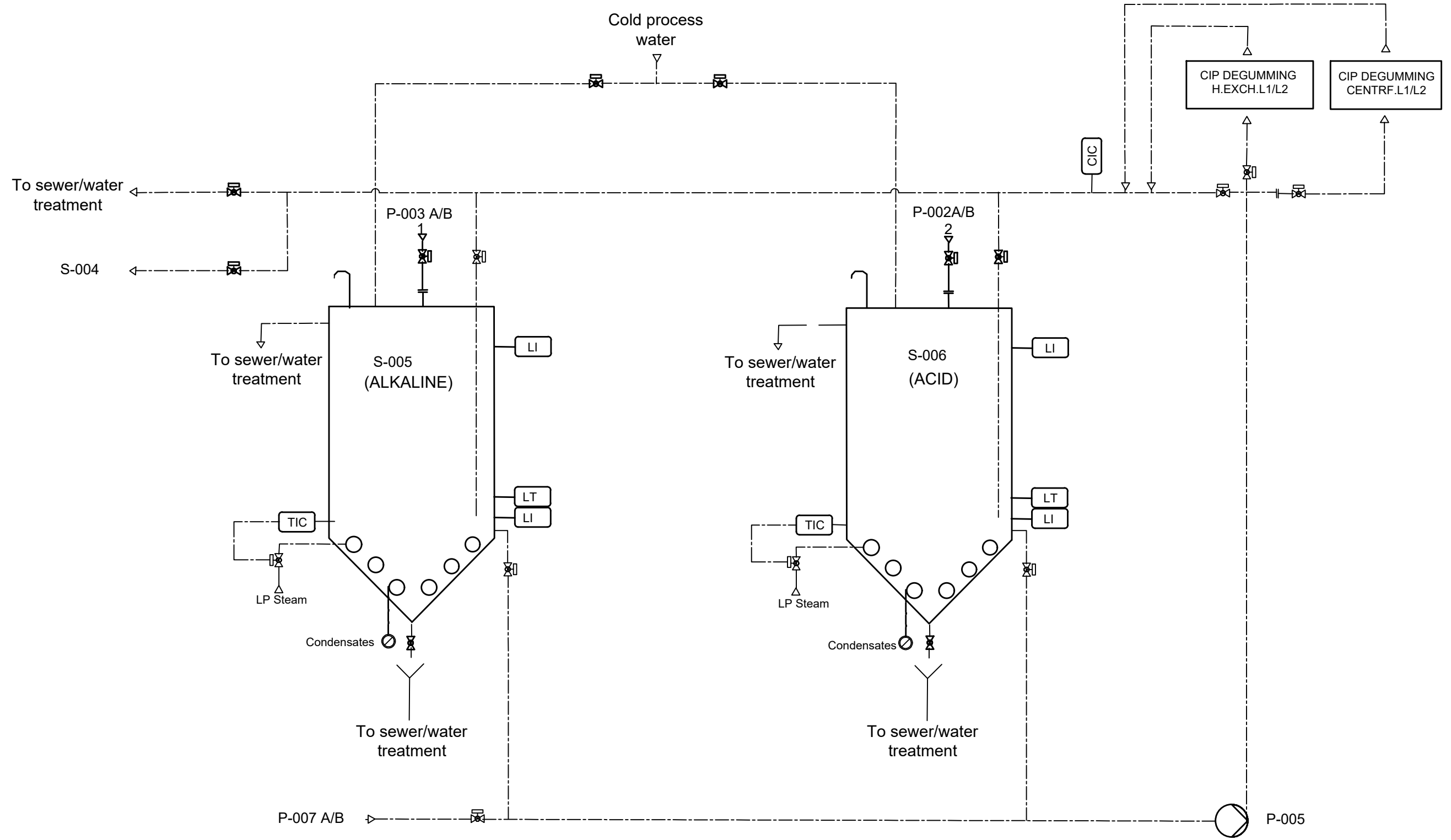




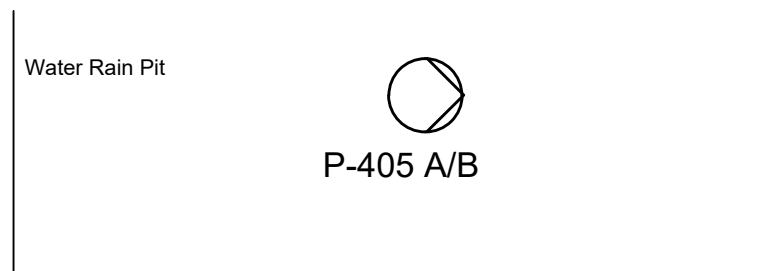
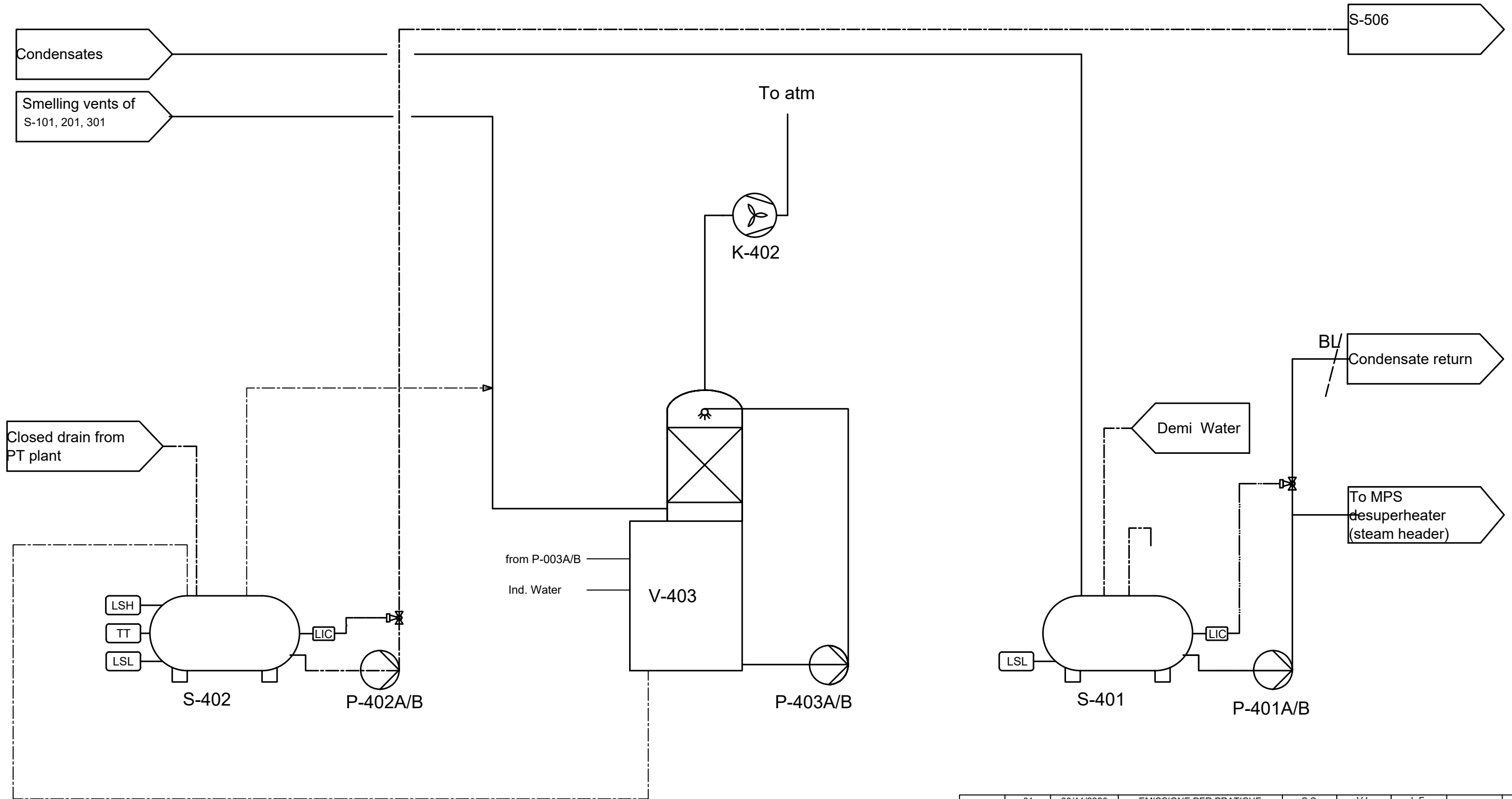
	01	30/11/2020	EMISSIONE PER PRATICHE AUTORIZZATIVE	S.S.	V.L.	L.F.		
	00	12/11/2020	EMISSIONE PER PRATICHE AUTORIZZATIVE	S.S.	V.L.	L.F.		
Validity Status	Revision Number	Date	Description	Contractor Prepared	Contractor Verified	Contractor Approved	Company Checked	Company Approved
Index Revision				Project Name		Company Document ID:		
Eni S.p.A. Green/Traditional Refining & Marketing Raffineria di Venezia				power project consulting		Job N. _____ Contractor Document ID: _____ Job N. _____		
Facility and Sub Facility Name REVAMPING POT						Scale	Sheet of Sheets	
Document Title SCHEMA DI FLUSSO - DEGUMMING CHEMICAL DOSING - REACTION AND WASHING						n.a.	1/12	
Superseded N.						Superseded by N.		
Plant Area						Unit		
n.a.						xxx		



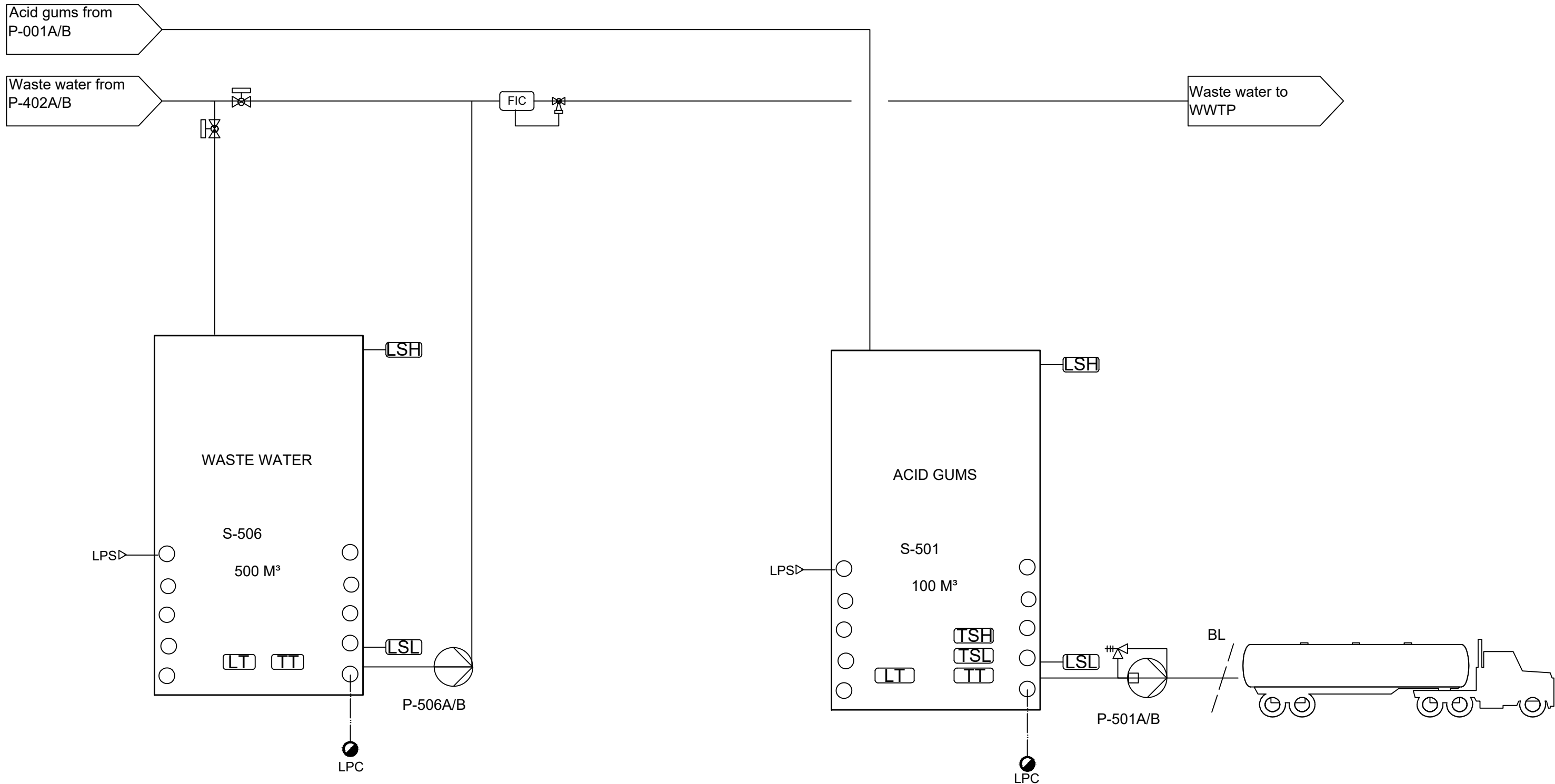
	01	30/11/2020	EMISSIONE PER PRATICHE AUTORIZZATIVE	S.S.	V.L.	L.F.		
	00	12/11/2020	EMISSIONE PER PRATICHE AUTORIZZATIVE	S.S.	V.L.	L.F.		
Validity Status	Revision Number	Date	Description	Contractor Prepared	Contractor Verified	Contractor Approved	Company Checked	Company Approved
Company Logo and Business Name				Project Name		Company Document ID:		
Eni S.p.A. Green/Traditional Refining & Marketing Raffineria di Venezia						_____ Job N.		
Contractor Logo and Business Name				Contractor Document ID:		Job N.		
power project consulting						_____ Job N.		
Facility and Sub Facility Name						Scale	Sheet of Sheets	
REVAMPING POT						n.a	2/12	
Document Title						Superseded N.		
SCHEMA DI FLUSSO DEGUMMING - OIL DRYING						Superseded by N.		
						Plant Area	Unit	
						n.a.	xxx	



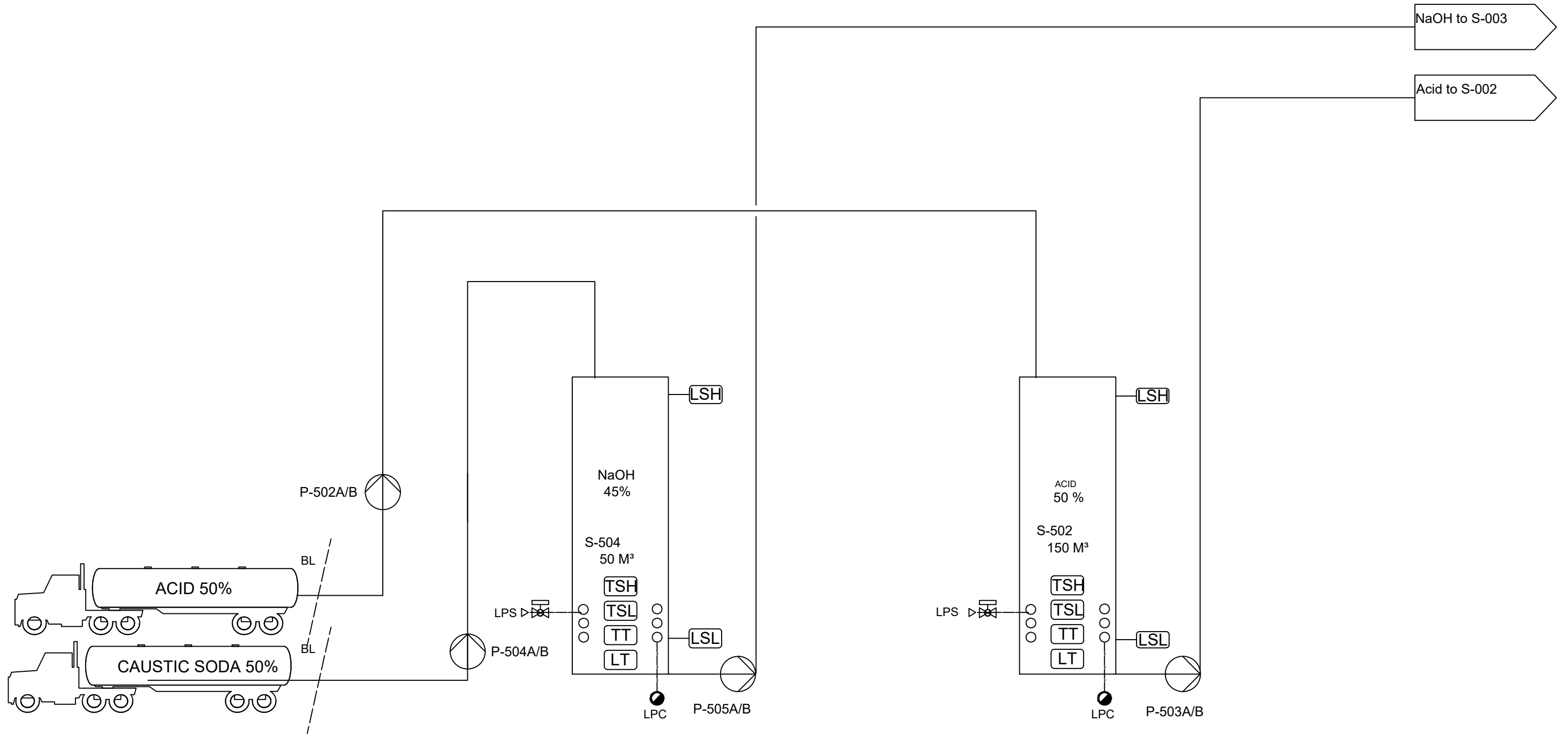
	01	30/11/2020	EMISSIONE PER PRATICHE AUTORIZZATIVE	S.S.	V.L.	L.F.		
	00	12/11/2020	EMISSIONE PER PRATICHE AUTORIZZATIVE	S.S.	V.L.	L.F.		
Validity Status	Revision Number	Date	Description	Contractor Prepared	Contractor Verified	Contractor Approved	Company Checked	Company Approved
Company Logo and Business Name				Project Name		Company Document ID:		
 Eni S.p.A. Green/Traditional Refining & Marketing Raffineria di Venezia						_____ Job N.		
Contractor Logo and Business Name				Contractor Document ID:		Job N.		
 power project consulting						_____ Job N.		
Facility and Sub Facility Name						Scale	Sheet of Sheets	
REVAMPING POT						n.a	3/12	
Document Title						Superseded N.		
SCHEMA DI FLUSSO - DEGUMMING CIP SYSTEM						Superseded by N.		
						Plant Area	Unit	
						n.a.	XXX	



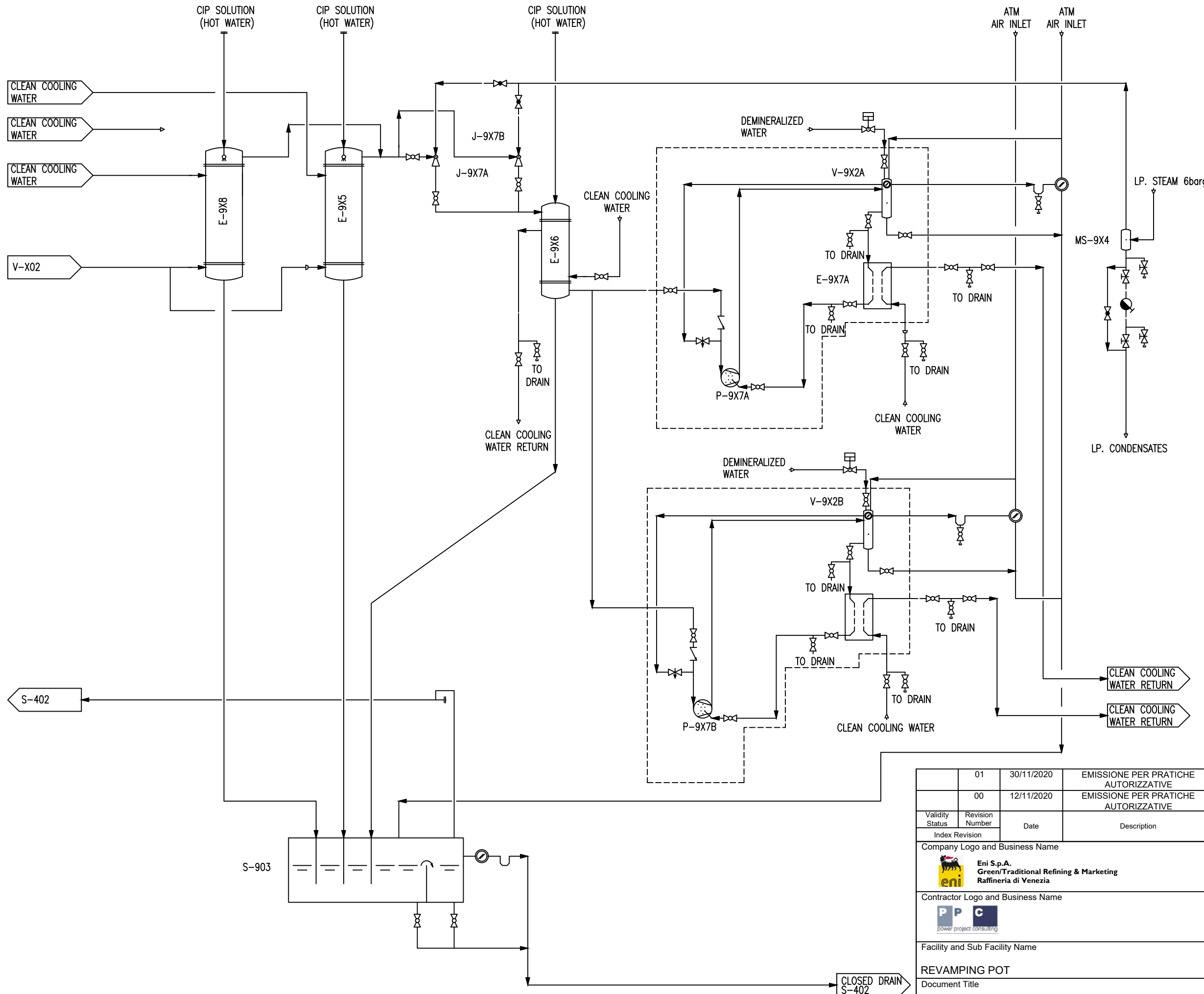
	01	30/11/2020	EMISSIONE PER PRATICHE AUTORIZZATIVE	S.S.	V.L.	L.F.		
	00	12/11/2020	EMISSIONE PER PRATICHE AUTORIZZATIVE	S.S.	V.L.	L.F.		
Validity Status	Revision Number	Date	Description	Contractor Prepared	Contractor Verified	Contractor Approved	Company Checked	Company Approved
Company Logo and Business Name				Project Name		Company Document ID:		
Eni S.p.A. Green/Traditional Refining & Marketing Raffineria di Venezia						_____ Job N.		
Contractor Logo and Business Name				Contractor Document ID:		Job N.		
power project consulting						Scale	Sheet of Sheets	
REVAMPING POT						n.a	4/12	
Document Title				Superseded N.		Superseded by N.		
SCHEMA DI FLUSSO - DEGUMMING UTILITIES				Plant Area		Unit		
				n.a.		XXX		





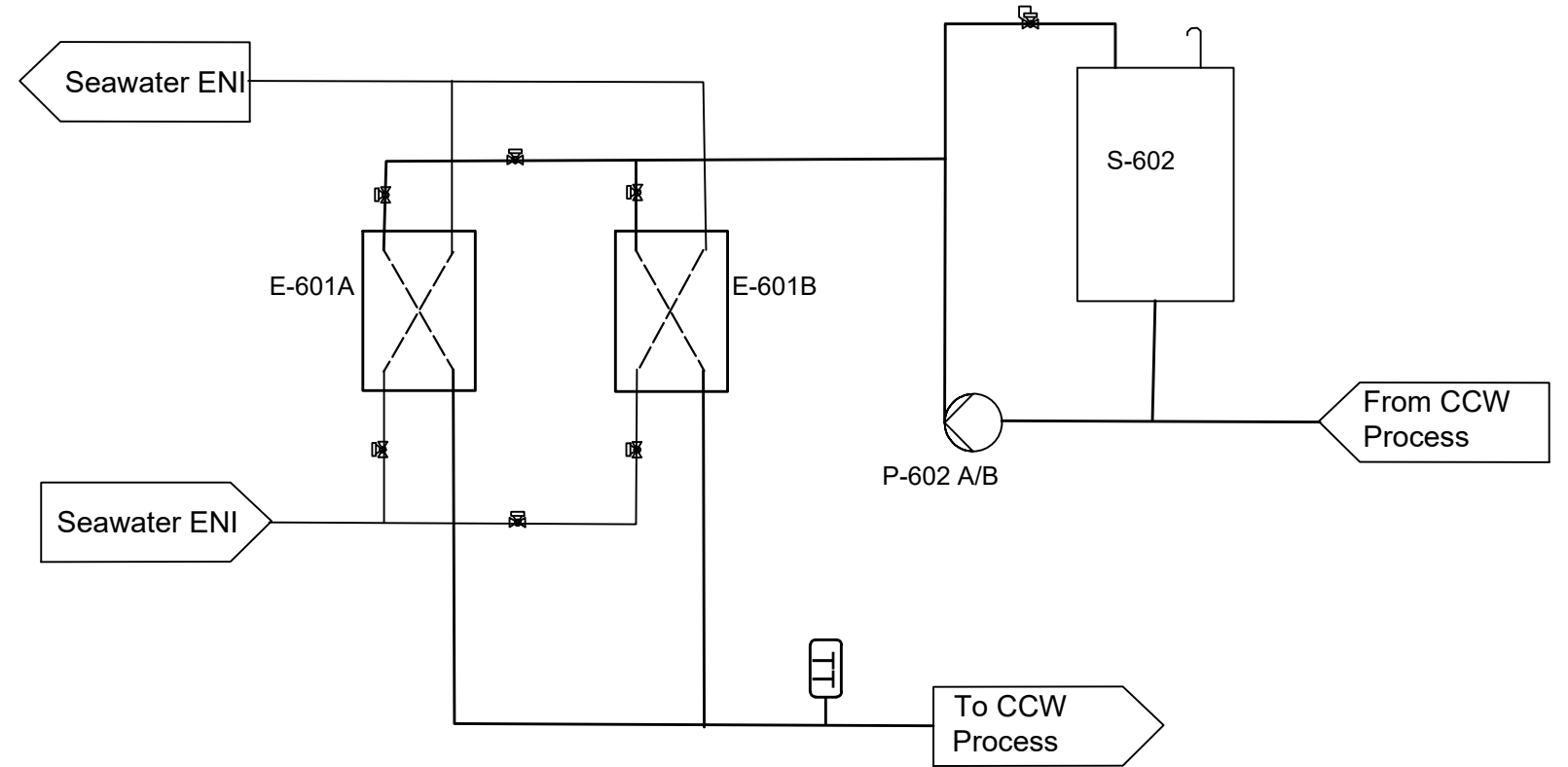
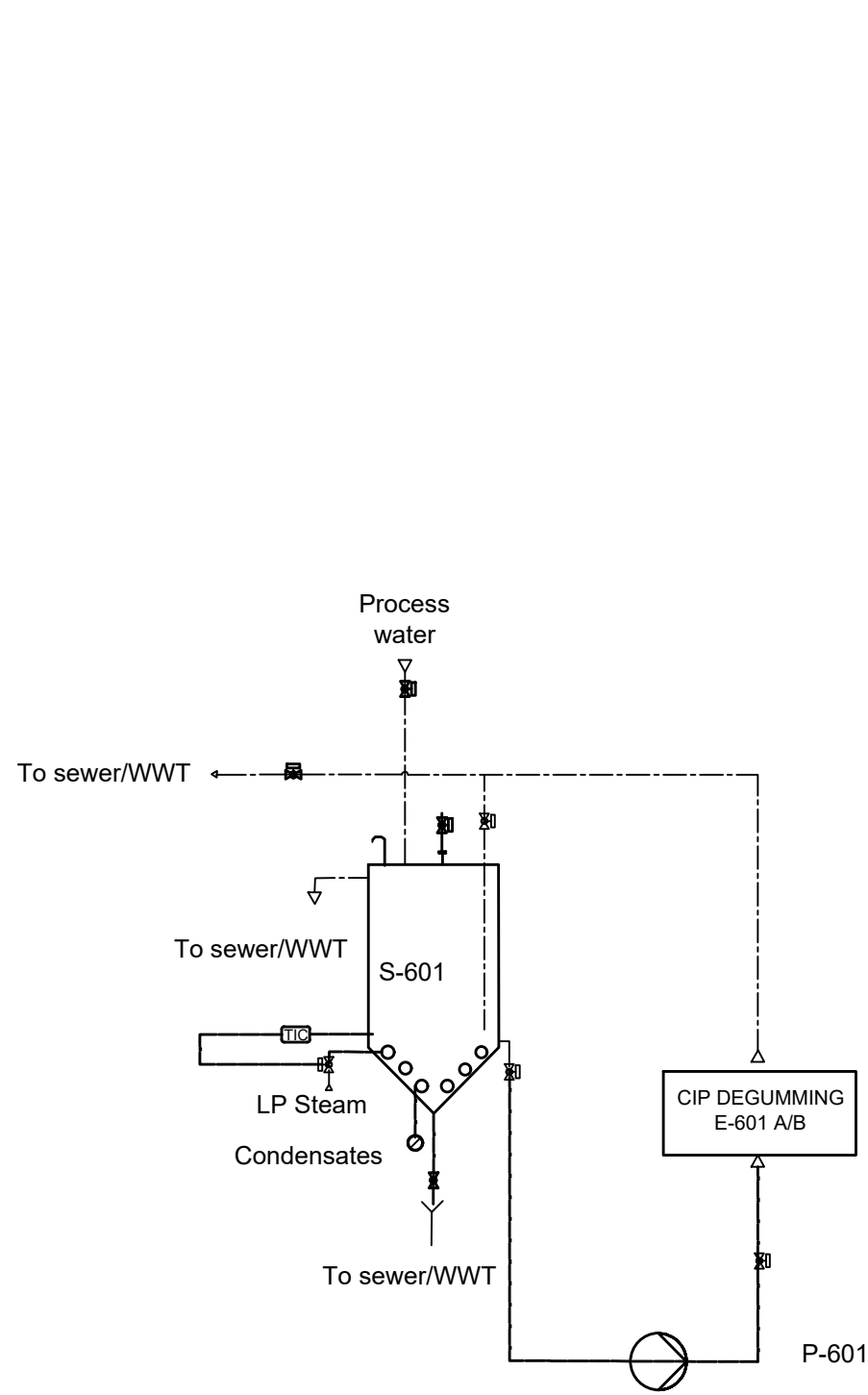
	01	30/11/2020	EMISSIONE PER PRATICHE AUTORIZZATIVE	S.S.	V.L.	L.F.		
	00	12/11/2020	EMISSIONE PER PRATICHE AUTORIZZATIVE	S.S.	V.L.	L.F.		
Validity Status	Revision Number	Date	Description	Contractor Prepared	Contractor Verified	Contractor Approved	Company Checked	Company Approved
Company Logo and Business Name				Project Name		Company Document ID:		
Eni S.p.A. Green/Traditional Refining & Marketing Raffineria di Venezia						_____ Job N.		
Contractor Logo and Business Name power project consulting						Contractor Document ID: _____ Job N.		
Facility and Sub Facility Name						Scale	Sheet of Sheets	
REVAMPING POT						n.a	5/12	
Document Title						Superseded N.		
SCHEMA DI FLUSSO - DEGUMMING WASTE STORAGE						Superseded by N.		
						Plant Area	Unit	
						n.a.	XXX	



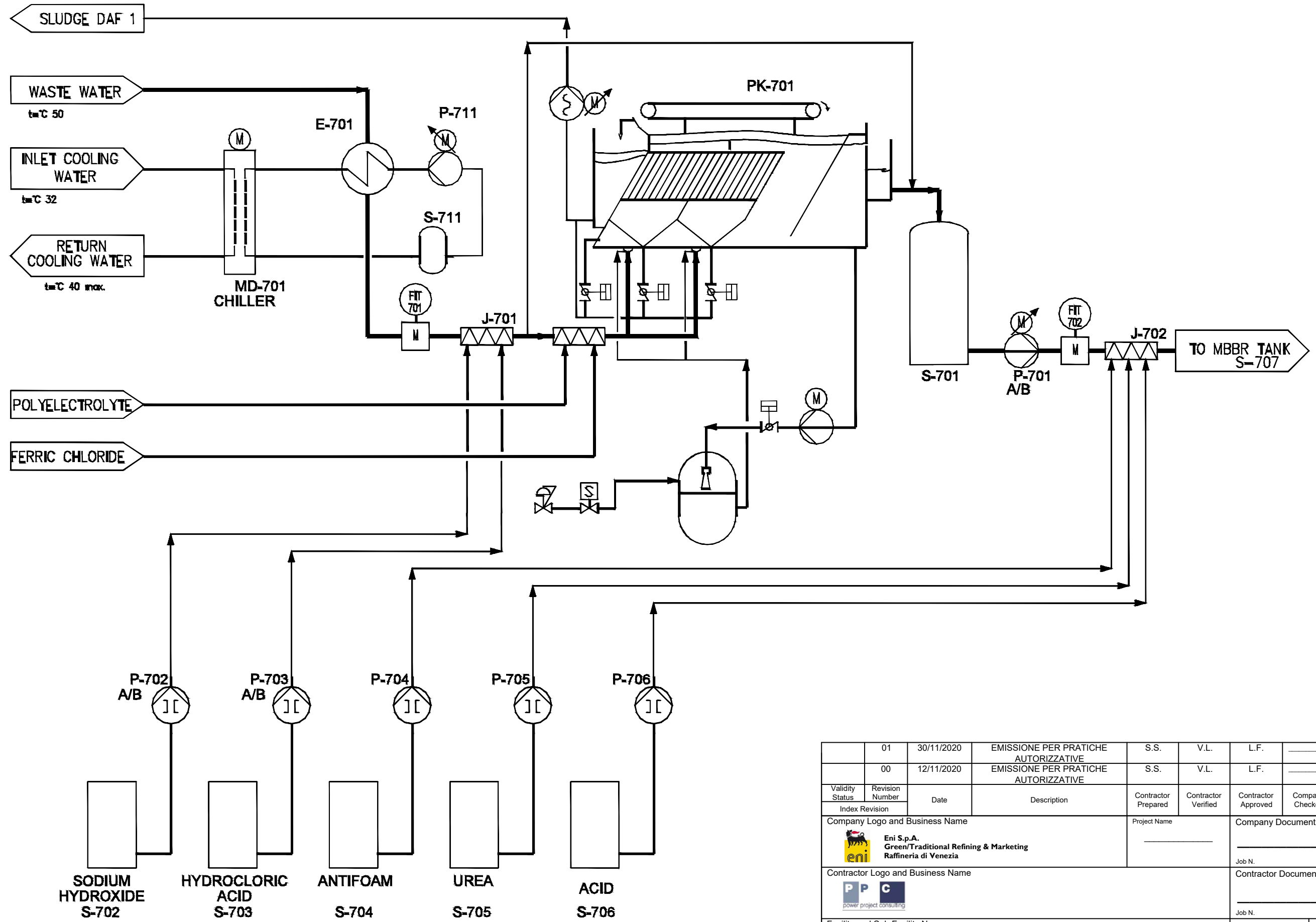
	01	30/11/2020	EMISSIONE PER PRATICHE AUTORIZZATIVE	S.S.	V.L.	L.F.	_____	_____
	00	12/11/2020	EMISSIONE PER PRATICHE AUTORIZZATIVE	S.S.	V.L.	L.F.	_____	_____
Validity Status	Revision Number	Date	Description	Contractor Prepared	Contractor Verified	Contractor Approved	Company Checked	Company Approved
Index Revision								
Company Logo and Business Name				Project Name		Company Document ID:		
 Eni S.p.A. Green/Traditional Refining & Marketing Raffineria di Venezia				_____		_____		
Contractor Logo and Business Name				Contractor Document ID:		Job N.		
 PPC power project consulting				_____		_____		
Facility and Sub Facility Name						Scale	Sheet of Sheets	
REVAMPING POT						n.a.	6/12	
Document Title						Superseded N.		
SCHEMA DI FLUSSO - DEGUMMING CHEMICALS STORAGE						Superseded by N.		
						Plant Area	Unit	
						n.a.	xxx	



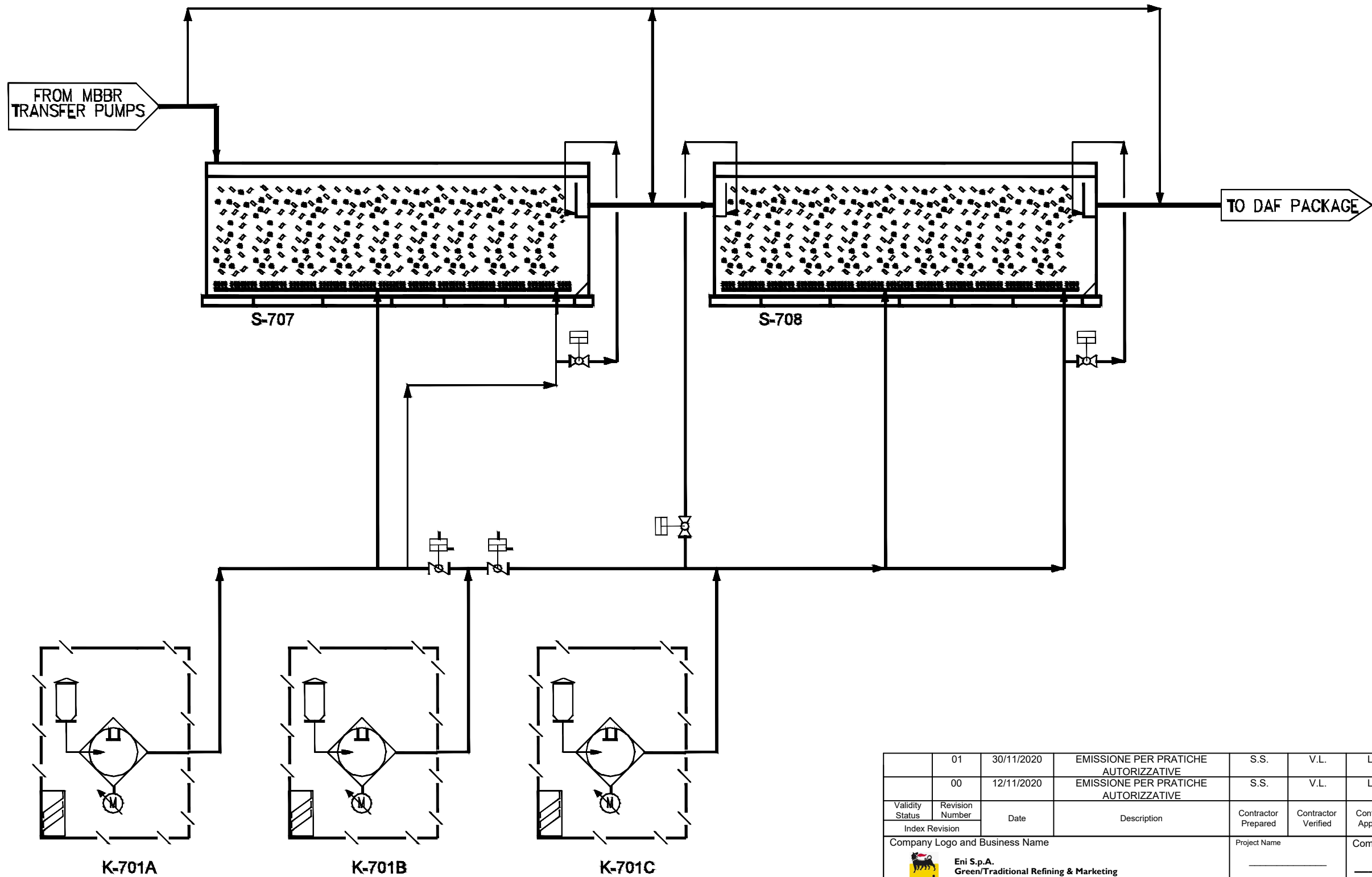
	01	30/11/2020	EMISSIONE PER PRATICHE AUTORIZZATIVE	S.S.	V.L.	L.F.		
	00	12/11/2020	EMISSIONE PER PRATICHE AUTORIZZATIVE	S.S.	V.L.	L.F.		
Validity Status	Revision Number	Date	Description	Contractor Prepared	Contractor Verified	Contractor Approved	Company Checked	Company Approved
Company Logo and Business Name				Project Name		Company Document ID:		
 Eni S.p.A. Green/Traditional Refining & Marketing Raffineria di Venezia								
Contractor Logo and Business Name				Contractor Document ID:		Job N.		
 PPC power project consulting								
Facility and Sub Facility Name						Scale	Sheet of Sheets	
REVAMPING POT						n.a.	7/12	
Document Title						Superseded N.		
VACUUM PRODUCTION SYSTEM						Superseded by N.		
						Plant Area	Unit	
						n.a.	xxx	





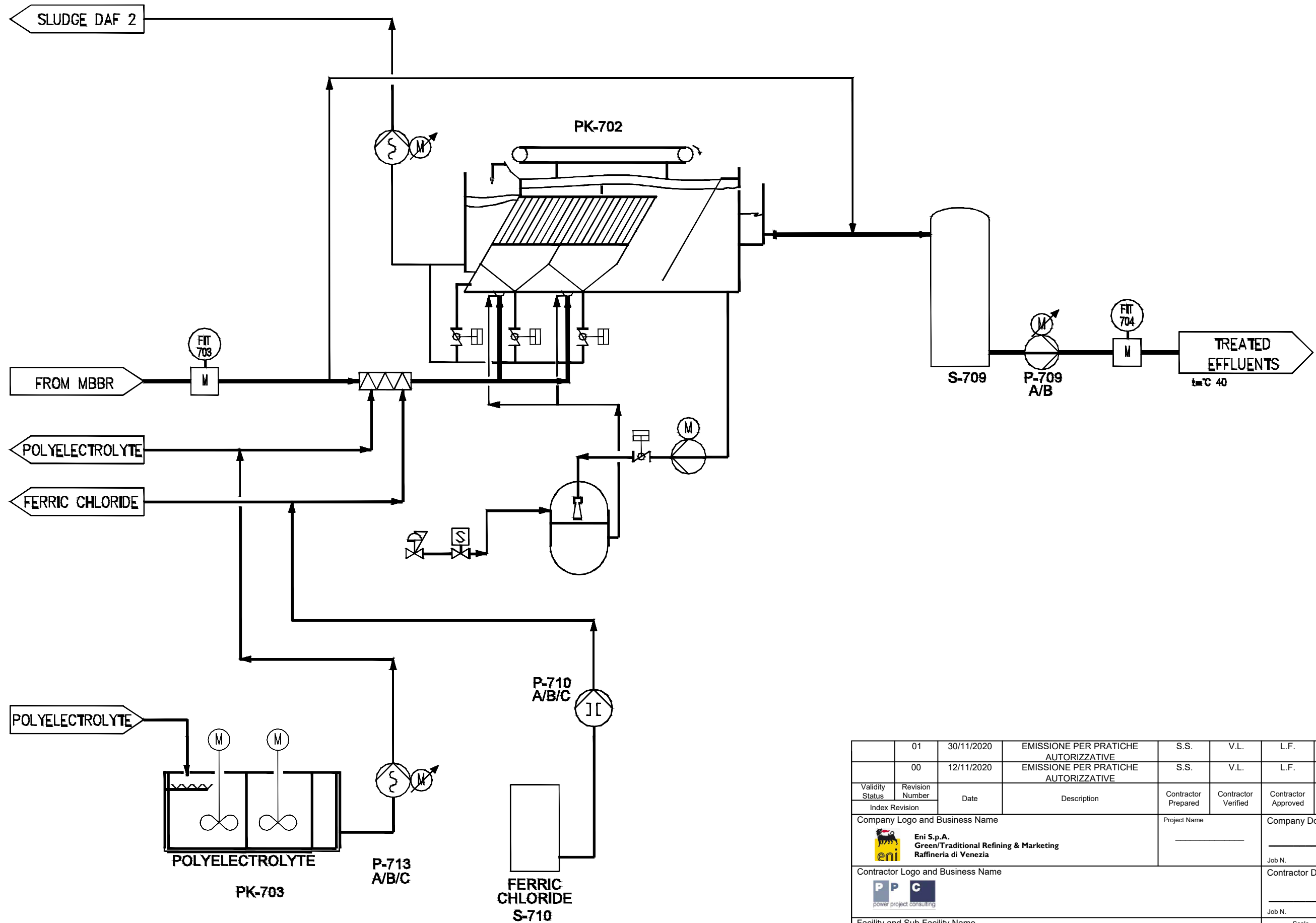
	01	30/11/2020	EMISSIONE PER PRATICHE AUTORIZZATIVE	S.S.	V.L.	L.F.		
	00	12/11/2020	EMISSIONE PER PRATICHE AUTORIZZATIVE	S.S.	V.L.	L.F.		
Validity Status	Revision Number	Date	Description	Contractor Prepared	Contractor Verified	Contractor Approved	Company Checked	Company Approved
Company Logo and Business Name				Project Name		Company Document ID:		
 Eni S.p.A. Green/Traditional Refining & Marketing Raffineria di Venezia						_____ Job N.		
Contractor Logo and Business Name				Contractor Document ID:		Contractor Document ID:		
 power project consulting						_____ Job N.		
Facility and Sub Facility Name						Scale	Sheet of Sheets	
REVAMPING POT						n.a.	8/12	
Document Title						Superseded N.		
SCHEMA DI FLUSSO - DEGUMMING UTILITIES - CLOSE COOLING SYSTEM & CIP						Superseded by N.		
						Plant Area	Unit	
						n.a.	xxx	



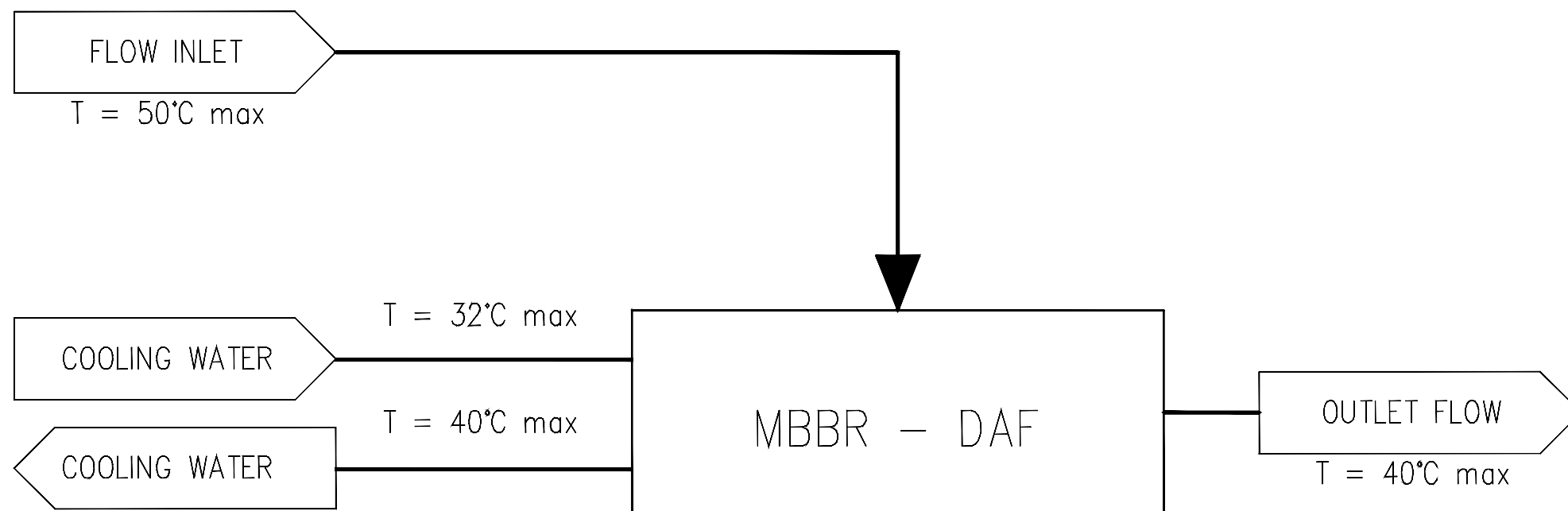
	01	30/11/2020	EMISSIONE PER PRATICHE AUTORIZZATIVE	S.S.	V.L.	L.F.		
	00	12/11/2020	EMISSIONE PER PRATICHE AUTORIZZATIVE	S.S.	V.L.	L.F.		
Validity Status	Revision Number	Date	Description	Contractor Prepared	Contractor Verified	Contractor Approved	Company Checked	Company Approved
Company Logo and Business Name				Project Name		Company Document ID:		
Eni S.p.A. Green/Traditional Refining & Marketing Raffineria di Venezia								
Contractor Logo and Business Name				Contractor Document ID:		Job N.		
power project consulting								
Facility and Sub Facility Name						Scale	Sheet of Sheets	
REVAMPING POT						n.a.	9/12	
Document Title						Superseded N.		
SCHEMA DI FLUSSO DEGUMMING - WWTP						Superseded by N.		
						Plant Area	Unit	
						n.a.	xxx	





	01	30/11/2020	EMISSIONE PER PRATICHE AUTORIZZATIVE	S.S.	V.L.	L.F.		
	00	12/11/2020	EMISSIONE PER PRATICHE AUTORIZZATIVE	S.S.	V.L.	L.F.		
Validity Status	Revision Number	Date	Description	Contractor Prepared	Contractor Verified	Contractor Approved	Company Checked	Company Approved
Index Revision								
Company Logo and Business Name				Project Name		Company Document ID:		
 Eni S.p.A. Green/Traditional Refining & Marketing Raffineria di Venezia						_____ Job N.		
Contractor Logo and Business Name				Contractor Document ID:				
 power project consulting						_____ Job N.		
Facility and Sub Facility Name						Scale	Sheet of Sheets	
REVAMPING POT						n.a	10/12	
Document Title						Superseded N.		
SCHEMA DI FLUSSO DEGUMMING - WWTP						Superseded by N.		
						Plant Area	Unit	
						n.a.	xxx	



	01	30/11/2020	EMISSIONE PER PRATICHE AUTORIZZATIVE	S.S.	V.L.	L.F.		
	00	12/11/2020	EMISSIONE PER PRATICHE AUTORIZZATIVE	S.S.	V.L.	L.F.		
Validity Status	Revision Number	Date	Description	Contractor Prepared	Contractor Verified	Contractor Approved	Company Checked	Company Approved
Index Revision								
Company Logo and Business Name				Project Name		Company Document ID:		
Eni S.p.A. Green/Traditional Refining & Marketing Raffineria di Venezia								
Contractor Logo and Business Name				Contractor Document ID:		Job N.		
power project consulting								
Facility and Sub Facility Name						Scale	Sheet of Sheets	
REVAMPING POT						n.a.	11/12	
Document Title						Superseded N.		
SCHEMA DI FLUSSO DEGUMMING - OIL DRYING						Superseded by N.		
						Plant Area	Unit	
						n.a.	xxx	



BALANCE COOLING WATER

	01	30/11/2020	EMISSIONE PER PRATICHE AUTORIZZATIVE	S.S.	V.L.	L.F.	_____	_____
	00	12/11/2020	EMISSIONE PER PRATICHE AUTORIZZATIVE	S.S.	V.L.	L.F.	_____	_____
Validity Status	Revision Number	Date	Description	Contractor Prepared	Contractor Verified	Contractor Approved	Company Checked	Company Approved
Company Logo and Business Name				Project Name		Company Document ID:		
 Eni S.p.A. Green/Traditional Refining & Marketing Raffineria di Venezia				_____		_____		
Contractor Logo and Business Name				Contractor Document ID:		Job N.		
 power project consulting				_____		_____		
Facility and Sub Facility Name						Scale	Sheet of Sheets	
REVAMPING POT						n.a	12/12	
Document Title						Superseded N.		
SCHEMA DI FLUSSO DEGUMMING - WWTP						Superseded by N.		
						Plant Area	Unit	
						n.a.	xxx	