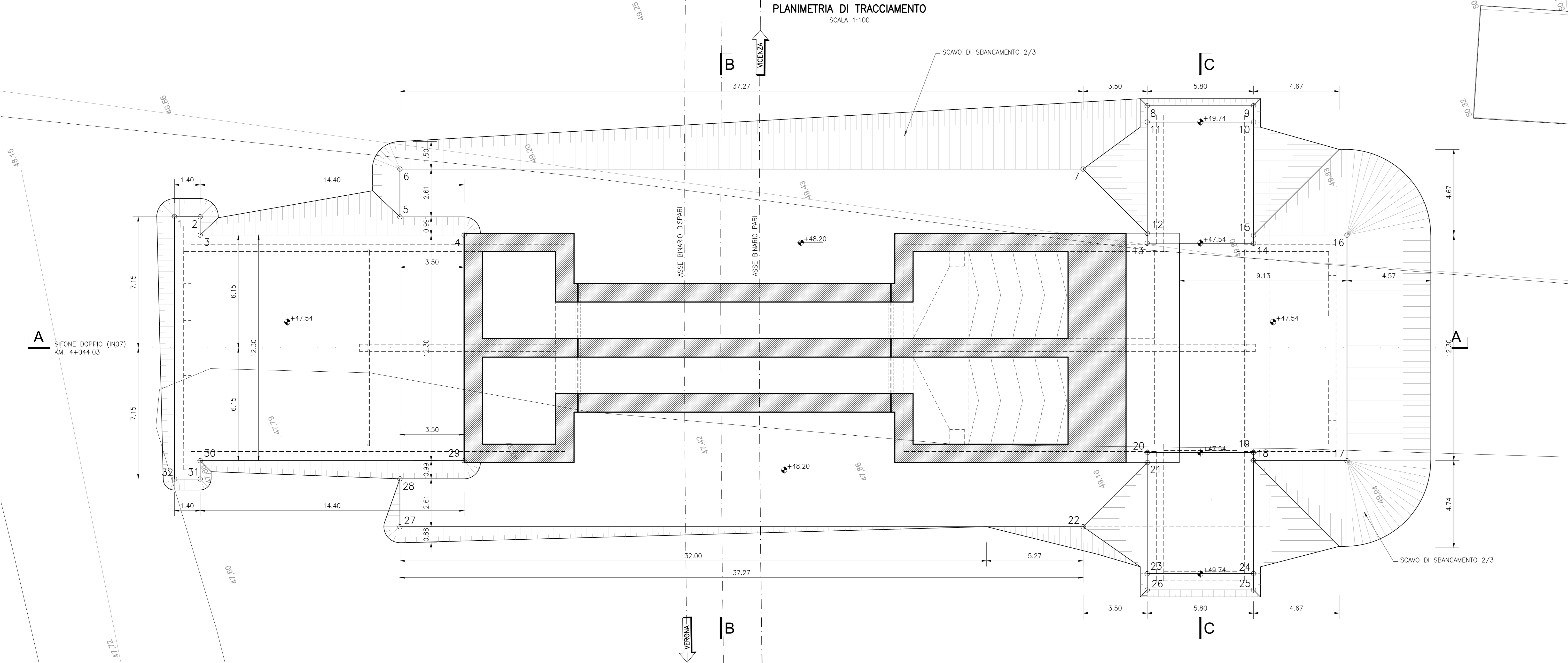


PLANIMETRIA DI TRACCIAMENTO
SCALA 1:100



COORDINATE DI TRACCIAMENTO DIARRAMI IN C.A.

N° PUNTO	COORDINATA EST	COORDINATA NORD
1	820242,041	147141,815
2	820241,496	147140,525
3	820240,575	147140,915
4	820234,971	147127,650
5	820237,245	147130,488
6	820239,649	147129,473
7	820225,144	147095,137
8	820226,960	147090,570
9	820224,703	147085,227
10	820223,886	147085,572
11	820226,144	147090,915
12	820220,558	147093,275
13	820220,058	147093,486
14	820217,801	147088,143
15	820218,209	147087,971
16	820216,224	147083,273
17	820204,894	147088,059
18	820206,678	147092,757
19	820207,287	147092,585
20	820209,544	147097,928
21	820209,043	147098,139
22	820207,181	147102,725
23	820203,458	147100,499
24	820201,201	147095,156
25	820200,384	147095,501
26	820202,641	147100,844
27	820221,687	147137,061
28	820224,091	147136,046
29	820223,641	147132,436
30	820229,245	147145,701
31	820228,323	147146,090
32	820228,868	147147,380

DESEGNI DI RIFERIMENTO

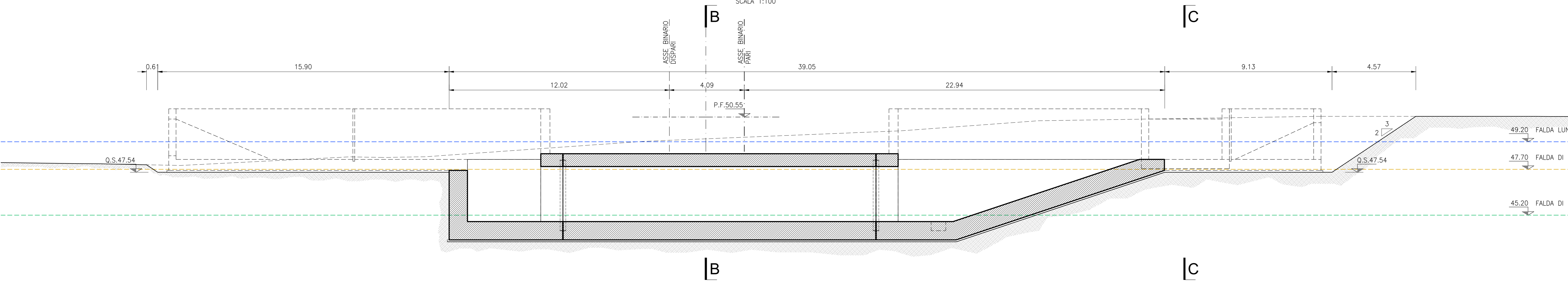
SIFONE COSTITUITO DA UN DOPPIO SCATOLARE 2X3 AL KM 4+044,03 Relazione tecnica generale e struttura	IN1711E2DRIN0700001A
SIFONE COSTITUITO DA UN DOPPIO SCATOLARE 2X3 AL KM 4+044,03 Relazione di confronto P.D./P.E.	IN1711E2DRIN0700002A
SIFONE COSTITUITO DA UN DOPPIO SCATOLARE 2X3 AL KM 4+044,03 Profilo e sezioni longitudinali - Stato di progetto	IN1711E2DPZIN0700001A
SIFONE COSTITUITO DA UN DOPPIO SCATOLARE 2X3 AL KM 4+044,03 Pianimetria di progetto, stato di fatto e opere provvisoria	IN1711E2DPZIN0700002A
SIFONE COSTITUITO DA UN DOPPIO SCATOLARE 2X3 AL KM 4+044,03 Copertorio - Parte e sezione longitudinali	IN1711E2QAN0700001A
SIFONE COSTITUITO DA UN DOPPIO SCATOLARE 2X3 AL KM 4+044,03 Copertorio - Sezioni trasversali	IN1711E2QAN0700001A
SIFONE COSTITUITO DA UN DOPPIO SCATOLARE 2X3 AL KM 4+044,03 Pianta scavi prima fase e opere provvisoria	IN1711E2PAN0701001A
SIFONE COSTITUITO DA UN DOPPIO SCATOLARE 2X3 AL KM 4+044,03 Pianta scavi seconda fase	IN1711E2PAN0701002A
SIFONE COSTITUITO DA UN DOPPIO SCATOLARE 2X3 AL KM 4+044,03 Particolari costruttivi Tav. 1	IN1711E2BZIN0709001A
SIFONE COSTITUITO DA UN DOPPIO SCATOLARE 2X3 AL KM 4+044,03 Particolari costruttivi Tav. 2	IN1711E2BZIN0709002A
SIFONE COSTITUITO DA UN DOPPIO SCATOLARE 2X3 AL KM 4+044,03 Armatura Tav. 1	IN1711E2BZIN0700001A
SIFONE COSTITUITO DA UN DOPPIO SCATOLARE 2X3 AL KM 4+044,03 Armatura Tav. 2	IN1711E2BZIN0700002A
SIFONE COSTITUITO DA UN DOPPIO SCATOLARE 2X3 AL KM 4+044,03 Armatura Tav. 3	IN1711E2BZIN0700003A
SIFONE COSTITUITO DA UN DOPPIO SCATOLARE 2X3 AL KM 4+044,03 Armatura Tav. 4	IN1711E2BZIN0700004A
SIFONE COSTITUITO DA UN DOPPIO SCATOLARE 2X3 AL KM 4+044,03 Relazione di calcolo statico	IN1711E2CLIN0700001A
SIFONE COSTITUITO DA UN DOPPIO SCATOLARE 2X3 AL KM 4+044,03 Relazione di calcolo opere provvisoria	IN1711E2CLIN0701002A

NOTE GENERALI

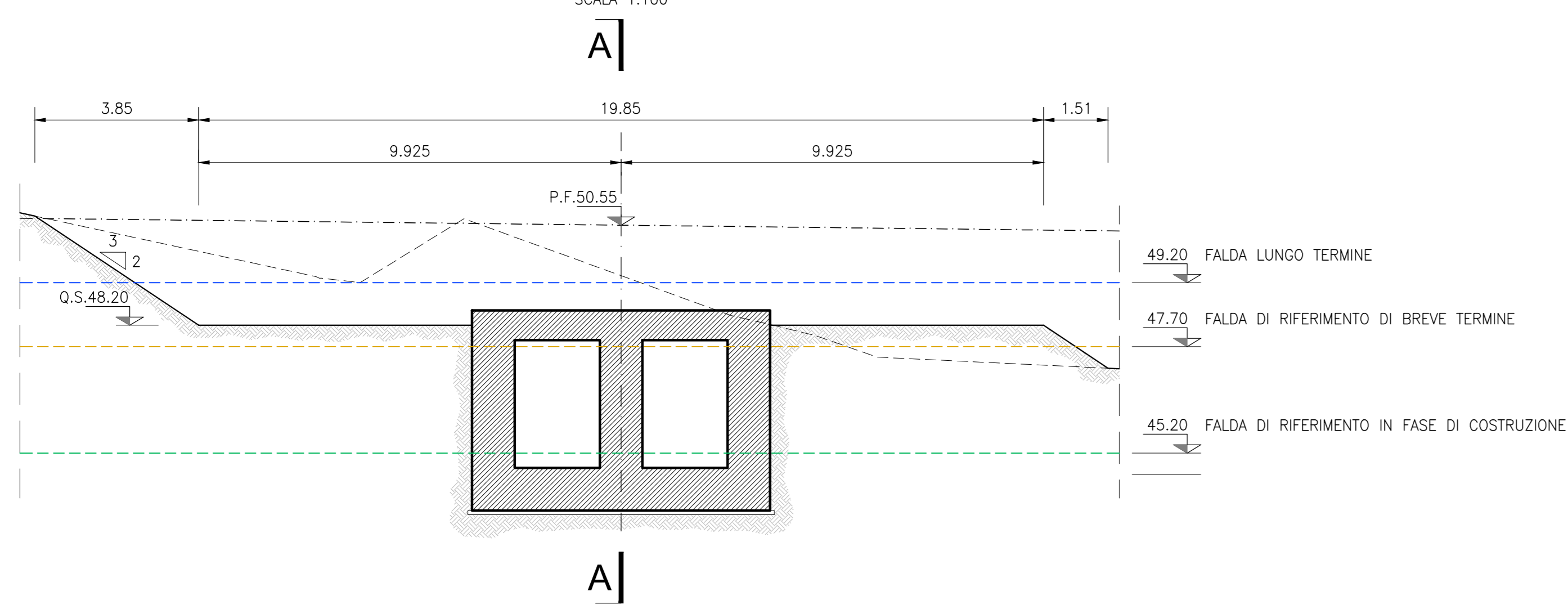
CARATTERISTICHE DEI MATERIALI

DESCRIZIONE	CODICE
Tabella Materiali	IN1710E124TIN0000001A

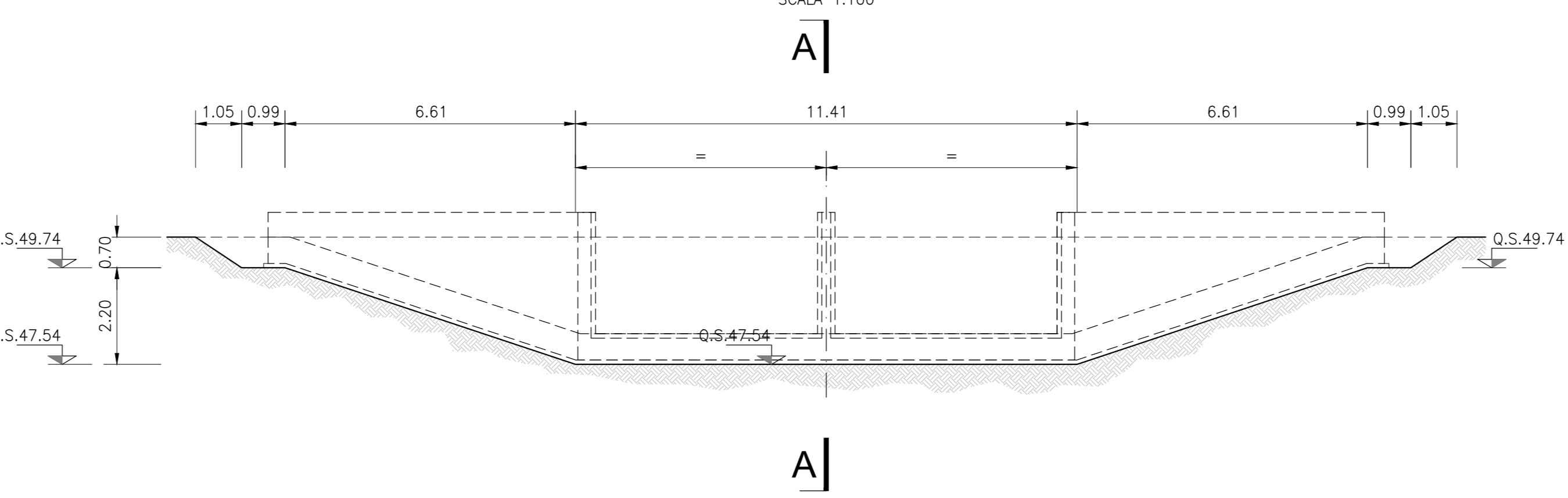
SEZIONE LONGITUDINALE A-A
SCALA 1:100



SEZIONE TRASVERSALE B-B
SCALA 1:100



SEZIONE TRASVERSALE C-C
SCALA 1:100



COMMITTENTE:

ALTA SOVRIGLIANZA:

GENERAL CONTRACTOR:

INFRASTRUTTURE FERROVIARIE STRATEGICHE DEFINITE DALLA LEGGE OBIETTIVO N. 443/01
LINEA A.V./A.C. TORINO-VENEZIA Tratta VERONA-PADOVA
Lotto funzionale Verona-Bivio Vicenza
PROGETTO ESECUTIVO
INTERFERENZE IDRAULICHE ED OPERE IDRAULICHE
SIFONE COSTITUITO DA UN DOPPIO SCATOLARE 2X3 AL KM 4+044,03
GENERALE

Pianta scavi seconda fase

PROGETTISTA	GENERAL CONTRACTOR	DIRETTORE LAVORI	SCALA:
Ing. Luca ZACCARIA	Consorzio Irico-IV Due	Ing. Luca ZACCARIA	1:100
Ing. Guido RATTI			

PROGETTAZIONE:

Rev.	Descrizione	Redatto	Data	Verificato	Data	Approvato	Data
A	DEFINIZIONE	L.BICO	31/03/21	L.AZER	31/03/21	P. GAZZONI	31/03/21
B							
C							

CC: 83779001 | CUP: J41E1100000009 | File: 1011_1012_1013_1014_1015_1016_1017_1018_1019_1020_1021_1022_1023_1024_1025_1026_1027_1028_1029_1030_1031_1032_1033_1034_1035_1036_1037_1038_1039_1040_1041_1042_1043_1044_1045_1046_1047_1048_1049_1050_1051_1052_1053_1054_1055_1056_1057_1058_1059_1060_1061_1062_1063_1064_1065_1066_1067_1068_1069_1070_1071_1072_1073_1074_1075_1076_1077_1078_1079_1080_1081_1082_1083_1084_1085_1086_1087_1088_1089_1090_1091_1092_1093_1094_1095_1096_1097_1098_1099_1100_1101_1102_1103_1104_1105_1106_1107_1108_1109_1110_1111_1112_1113_1114_1115_1116_1117_1118_1119_1120_1121_1122_1123_1124_1125_1126_1127_1128_1129_1130_1131_1132_1133_1134_1135_1136_1137_1138_1139_1140_1141_1142_1143_1144_1145_1146_1147_1148_1149_1150_1151_1152_1153_1154_1155_1156_1157_1158_1159_1160_1161_1162_1163_1164_1165_1166_1167_1168_1169_1170_1171_1172_1173_1174_1175_1176_1177_1178_1179_1180_1181_1182_1183_1184_1185_1186_1187_1188_1189_1190_1191_1192_1193_1194_1195_1196_1197_1198_1199_1200_1201_1202_1203_1204_1205_1206_1207_1208_1209_1210_1211_1212_1213_1214_1215_1216_1217_1218_1219_1220_1221_1222_1223_1224_1225_1226_1227_1228_1229_1230_1231_1232_1233_1234_1235_1236_1237_1238_1239_1240_1241_1242_1243_1244_1245_1246_1247_1248_1249_1250_1251_1252_1253_1254_1255_1256_1257_1258_1259_1260_1261_1262_1263_1264_1265_1266_1267_1268_1269_1270_1271_1272_1273_1274_1275_1276_1277_1278_1279_1280_1281_1282_1283_1284_1285_1286_1287_1288_1289_1290_1291_1292_1293_1294_1295_1296_1297_1298_1299_1300_1301_1302_1303_1304_1305_1306_1307_1308_1309_1310_1311_1312_1313_1314_1315_1316_1317_1318_1319_1320_1321_1322_1323_1324_1325_1326_1327_1328_1329_1330_1331_1332_1333_1334_1335_1336_1337_1338_1339_1340_1341_1342_1343_1344_1345_1346_1347_1348_1349_1350_1351_1352_1353_1354_1355_1356_1357_1358_1359_1360_1361_1362_1363_1364_1365_1366_1367_1368_1369_1370_1371_1372_1373_1374_1375_1376_1377_1378_1379_1380_1381_1382_1383_1384_1385_1386_1387_1388_1389_1390_1391_1392_1393_1394_1395_1396_1397_1398_1399_1400_1401_1402_1403_1404_1405_1406_1407_1408_1409_1410_1411_1412_1413_1414_1415_1416_1417_1418_1419_1420_1421_1422_1423_1424_1425_1426_1427_1428_1429_1430_1431_1432_1433_1434_1435_1436_1437_1438_1439_1440_1441_1442_1443_1444_1445_1446_1447_1448_1449_1450_1451_1452_1453_1454_1455_1456_1457_1458_1459_1460_1461_1462_1463_1464_1465_1466_1467_1468_1469_1470_1471_1472_1473_1474_1475_1476_1477_1478_1479_1480_1481_1482_1483_1484_1485_1486_1487_1488_1489_1490_1491_1492_1493_1494_1495_1496_1497_1498_1499_1500_1501_1502_1503_1504_1505_1506_1507_1508_1509_1510_1511_1512_1513_1514_1515_1516_1517_1518_1519_1520_1521_1522_1523_1524_1525_1526_1527_1528_1529_1530_1531_1532_1533_1534_1535_1536_1537_1538_1539_1540_1541_1542_1543_1544_1545_1546_1547_1548_1549_1550_1551_1552_1553_1554_1555_1556_1557_1558_1559_1560_1561_1562_1563_1564_1565_1566_1567_1568_1569_1570_1571_1572_1573_1574_1575_1576_1577_1578_1579_1580_1581_1582_1583_1584_1585_1586_1587_1588_1589_1590_1591_1592_1593_1594_1595_1596_1597_1598_1599_1600_1601_1602_1603_1604_1605_1606_1607_1608_1609_1610_1611_1612_1613_1614_1615_1616_1617_1618_1619_1620_1621_1622_1623_1624_1625_1626_1627_1628_1629_1630_1631_1632_1633_1634_1635_1636_1637_1638_1639_1640_1641_1642_1643_1644_1645_1646_1647_1648_1649_1650_1651_1652_1653_1654_1655_1656_1657_1658_1659_1660_1661_1662_1663_1664_1665_1666_1667_1668_1669_1670_1671_1672_1673_1674_1675_1676_1677_1678_1679_1680_1681_1682_1683_1684_1685_1686_1687_1688_1689_1690_1691_1692_1693_1694_1695_1696_1697_1698_1699_1700_1701_1702_1703_1704_1705_1706_1707_1708_1709_1710_1711_1712_1713_1714_1715_1716_1717_1718_1719_1720_1721_1722_1723_1724_1725_1726_1727_1728_1729_1730_1731_1732_1733_1734_1735_1736_1737_1738_1739_1740_1741_1742_1743_1744_1745_1746_1747_1748_1749_1750_1751_1752_1753_1754_1755_1756_1757_1758_1759_1760_1761_1762_1763_1764_1765_1766_1767_1768_1769_1770_1771_1772_1773_1774_1775_1776_1777_1778_1779_1780_1781_1782_1783_1784_1785_1786_1787_1788_1789_1790_1791_1792_1793_1794_1795_1796_1797_1798_1799_1800_1801_1802_1803_1804_1805_1806_1807_1808_1809_1810_1811_1812_1813_1814_1815_1816_1817_1818_1819_1820_1821_1822_1823_1824_1825_1826_1827_1828_1829_1830_1831_1832_1833_1834_1835_1836_1837_1838_1839_1840_1841_1842_1843_1844_1845_1846_1847_1848_1849_1850_1851_1852_1853_1854_1855_1856_1857_1858_1859_1860_1861_1862_1863_1864_1865_1866_1867_1868_1869_1870_1871_1872_1873_1874_1875_1876_1877_1878_1879_1880_1881_1882_1883_1884_1885_1886_1887_1888_1889_1890_1891_1892_1893_1894_1895_1896_1897_1898_1899_1900_1901_1902_1903_1904_1905_1906_1907_1908_1909_1910_1911_1912_1913_1914_1915_1916_1917_1918_1919_1920_1921_1922_1923_1924_1925_1926_1927_1928_1929_1930_1931_1932_1933_1934_1935_1936_1937_1938_1939_1940_1941_1942_1943_1944_1945_1946_1947_1948_1949_1950_1951_1952_1953_1954_1955_1956_1957_1958_1959_1960_1961_1962_1963_1964_1965_1966_1967_1968_1969_1970_1971_1972_1973_1974_1975_1976_1977_1978_1979_1980_1981_1982_1983_1984_1985_1986_1987_1988_1989_1990_1991_1992_1993_1994_1995_1996_1997_1998_1999_2000_2001_2002_2003_2004_2005_2006_2007_2008_2009_2010_2011_2012_2013_2014_2015_2016_2017_2018_2019_2020_2021_2022_2023_2024_2025_2026_2027_2028_2029_2030_2031_2032_2033_2034_2035_2036_2037_2038_2039_2040_2041_2042_2043_2044_2045_2046_2047_2048_2049_2050_2051_2052_2053_2054_2055_2056_2057_2058_2059_2060_2061_2062_2063_2064_2065_2066_2067_2068_2069_2070_2071_2072_2073_2074_2075_2076_2077_2078_2079_2080_2081_2082_2083_2084_2085_2086_2087_2088_2089_2090_2091_2092_2093_2094_2095_2096_2097_2098_2099_2100_2101_2102_2103_2104_2105_2106_2107_2108_2109_2110_2111_2112_2113_2114_2115_2116_2117_2118_2119_2120_2121_2122_2123_2124_2125_2126_2127_2128_2129_2130_2131_2132_2133_2134_2135_2136_2137_2138_2139_2140_2141_2142_2143_2144_2145_2146_2147_2148_2149_2150_2151_2152_2153_2154_2155_2156_2157_2158_2159_2160_2161_2162_2163_2164_2165_2166_2167_2168_2169_2170_2171_2172_2173_2174_2175_2176_2177_2178_2179_2180_2181_2182_2183_2184_2185_2186_2187_2188_2189_2190_2191_2192_2193_2194_2195_2196_2197_2198_2199_2200_2201_2202_2203_2204_2205_2206_2207_2208_2209_2210_2211_2212_2213_2214_2215_2216_2217_2218_2219_2220_2221_2222_2223_2224_2225_2226_2227_2228_2229_2230_2231_2232_2233_2234_2235_2236_2237_2238_2239_2240_2241_2242_2243_2244_2245_2246_2247_2248_2249_2250_2251_2252_2253_2254_2255_2256_2257_2258_2259_2260_2261_2262_2263_2264_2265_2266_2267_2268_2269_2270_2271_2272_2273_2274_2275_2276_2277_2278_2279_2280_2281_2282_2283_2284_2285_2286_2287_2288_2289_2290_2291_2292_2293_2294_2295_2296_2297_2298_2299_2300_2301_2302_2303_2304_2305_2306_2307_2308_2309_2310_2311_2312_2313_2314_2315_2316_2317_2318_2319_2320_2321_2322_2323_2324_2325_2326_2327_2328_2329_2330_2331_2332_2333_2334_2335_2336_2337_2338_2339_2340_2341_2342_2343_2344_2345_2346_2347_2348_2349_2350_2351_2352_2353_2354_2355_2356_2357_2358_2359_2360_2361_2362_2363_2364_2365_2366_2367_2368_2369_2370_2371_2372_2373_2374_2375_2376_2377_2378_2379_2380_2381_2382_2383_2384_2385_2386_2387_2388_2389_2390_2391_2392_2393_2394_2395_2396_2397_2398_2399_2400_2401_2402_2403_2404_2405_2406_2407_2408_2409_2410_2411_2412_2413_2414_2415_2416_2417_2418_2419_2420_2421_2422_2423_2424_2425_2426_2427_2428_2429_2430_2431_2432_2433_2434_2435_2436_2437_2438_2439_2440_2441_2442_2443_2444_2445_2446_2447_2448_2449_2450_2451_2452_2453_2454_2455_2456_2457_2458_2459_2460_2461_2462_2463_2464_2465_2466_2467_2468_2469_2470_2471_2472_2473_2474_2475_2476_2477_2478_2479_2480_2481_2482_2483_2484_2485_2486_2487_2488_2489_2490_2491_2492_2493_2494_2495_2496_2497_2498_2499_2500_2501_2502_2503_2504_2505_2506_2507_2508_2509_2510_2511_2512_2513_2514_2515_2516_2517_2518_2519_2520_2521_2522_2523_2524_2525_2526_2527_2528_2529_2530_2531_2532_2533_2534_2535_2536_2537_2538_2539_2540_2541_2542_2543_2544_2545_2546_2547_2548_2549_2550_2551_2552_2553_2554_2555_2556_2557_2558_2559_2560_2561_2562_2563_2564_2565_2566_2567_2568_2569_2570_2571_2572_2573_2574_2575_2576_2577_2578_2579_2580_2581_2582_2583_2584_2585_2586_2587_2588_2589_2590_2591_2592_2593_2594_2595_2596_2597_2598_2599_2600_2601_2602_2603_2604_2605_2606_2607_2608_2609_2610_2611_2612_2613_2614_2615_2616_2617_2618_2619_2620_2621_2622_2623_2624_2625_2626_2627_2628_2629_2630_263