

S.S. 131 di "Carlo Felice"
Adeguamento e messa in sicurezza della S.S.131
Risoluzione dei nodi critici - 2° stralcio
dal km 108+300 al km 158+000

PROGETTO ESECUTIVO

CA284

R.T.I. di PROGETTAZIONE:

Mandataria



**PRO
ITER**
Progetto
Infrastrutture
Territorio s.r.l.

Via G.B. Sammartini n°5
20125 - Milano
Tel. 02 6787911
email: mail@proiter.it

Mandante



Via Artemide n°3
92100 Agrigento
Tel. 0922 421007
email: deltaingegneria@pec.it

PROGETTISTI:

Ing. Riccardo Formichi - Pro Iter srl (Integratore prestazioni specialistiche)
Ordine Ing. di Milano n. 18045

Ing. Riccardo Formichi
Ordine Ing. di Milano n. 18045

IL GEOLOGO

Dott. Geol. Massimo Mezzanatica - Pro Iter srl
Albo Geol. Lombardia n. A762

COORDINATORE PER LA SICUREZZA IN FASE DI PROGETTAZIONE

Ing. Diego Ceccherelli
Ordine Ing. di Milano n. 15813

VISTO: IL RESP. DEL PROCEDIMENTO

Dott. Ing. Salvatore FRASCA



PROTOCOLLO

DATA

DOCUMENTAZIONE TECNICO-ECONOMICA

COMPUTO METRICO

Allegato 4 di 8

CODICE PROGETTO

NOME FILE
T00CM00CMSEC07A.pdf

REVISIONE

SCALA:

PROGETTO LIV. PROG. N. PROG.

L O P L S Q E 1901

CODICE ELAB. T00 CM00 CMS EC07

A

D

C

B

A

REV.

Revisione per istruttoria, verifica e controlli D.Lgs. 35/11

Aprile 2021

Franzo

Vacchelli

Formichi

DESCRIZIONE

DATA

REDATTO

VERIFICATO

APPROVATO

ADEGUAMENTO SVINCOLI ESISTENTI

V11

Adeguamento svincolo di Campeda al Km 152+000

CORSIA B

RIEPILOGO QUANTITA'

Pagina: 1 / 1

Codice	Descrizione	Quantità
CANAL	CANALETTA	5,905 m ³
FONDA	STRATO DI FONDAZIONE	405,621 m ³
GRAD	SCAVO A GRADONI	1689,389 m ²
RI	RILEVATO	175,846 m ³
SCOT	SCOTICO	334,086 m ²
ST	STERRO	856,362 m ³
TVEG	TERRENO VEGETALE	594,188 m ²
USURA	STRATI LEGATI	1328,717 m ²
MISTO CEMENTATO	Misto cementato	1328.717-319.072= 1009,645 m²

STRATO DI FONDAZIONE (FONDA)

Sezione	Distanza progressiva	Area	Area Media	Distanza parziale	Volume	
					Parziale	Totale
1	0,000	1,390 m ²				
Sx			1,309 m ²	25,000	35,775 m ³	35,775 m ³
2	25,000	1,229 m ²				
1	0,000	0,590 m ²	0,590 m ²	25,000	14,132 m ³	49,907 m ³
Dx						
2	25,000	0,590 m ²				
2	25,000	1,229 m ²	1,229 m ²	2,190	2,926 m ³	52,833 m ³
Sx						
3	27,190	1,229 m ²				
2	25,000	0,590 m ²	0,590 m ²	2,190	1,238 m ³	54,071 m ³
Dx						
3	27,190	0,590 m ²				
3	27,190	1,229 m ²	1,008 m ²	22,810	24,629 m ³	78,700 m ³
Sx						
4	50,000	0,786 m ²				
3	27,190	0,590 m ²	0,554 m ²	22,810	12,137 m ³	90,837 m ³
Dx						
4	50,000	0,518 m ²				
4	50,000	0,786 m ²	0,754 m ²	4,380	3,479 m ³	94,316 m ³
Sx						
5	54,380	0,721 m ²				
4	50,000	0,518 m ²	0,504 m ²	4,380	2,128 m ³	96,444 m ³
Dx						
5	54,380	0,490 m ²				
5	54,380	1,211 m ²	1,223 m ²	20,620	25,215 m ³	121,659 m ³
6	75,000	1,234 m ²				
6	75,000	1,234 m ²	1,237 m ²	25,000	30,930 m ³	152,589 m ³
7	100,000	1,240 m ²				
7	100,000	1,240 m ²	1,240 m ²	25,000	31,000 m ³	183,589 m ³
8	125,000	1,240 m ²				
8	125,000	1,240 m ²	1,243 m ²	25,000	31,072 m ³	214,661 m ³
9	150,000	1,246 m ²				
9	150,000	1,246 m ²	1,251 m ²	25,000	31,270 m ³	245,931 m ³
10	175,000	1,256 m ²				
10	175,000	1,256 m ²	1,261 m ²	25,000	31,524 m ³	277,455 m ³
11	200,000	1,266 m ²				
11	200,000	1,266 m ²	1,276 m ²	25,000	31,899 m ³	309,354 m ³
12	225,000	1,286 m ²				
12	225,000	1,286 m ²	1,241 m ²	25,000	31,013 m ³	340,367 m ³
13	250,000	1,195 m ²				
13	250,000	1,195 m ²	1,184 m ²	4,377	5,184 m ³	345,551 m ³
14	254,377	1,173 m ²				
14	254,377	1,173 m ²	1,074 m ²	20,623	22,143 m ³	367,694 m ³
15	275,000	0,974 m ²				
15	275,000	0,974 m ²	0,853 m ²	25,000	21,323 m ³	389,017 m ³
16	300,000	0,732 m ²				

STRATO DI FONDAZIONE (FONDA)

Sezione	Distanza progressiva	Area	Area Media	Distanza parziale	Volume	
					Parziale	Totale
16	300,000	0,732 m ²	0,590 m ²	25,000	14,753 m ³	403,770 m ³
17	325,000	0,448 m ²				
17	325,000	0,448 m ²	0,423 m ²	4,372	1,851 m ³	405,621 m ³
18	329,372	0,398 m ²				

					RILEVATO (RI)	
Sezione	Distanza progressiva	Area	Area Media	Distanza parziale	Volume	
					Parziale	Totale
1	0,000	0,000 m ²				
Sx			0,016 m ²	25,000	0,431 m ³	0,431 m ³
2	25,000	0,032 m ²				
1	0,000	0,000 m ²				
Dx			0,589 m ²	25,000	14,217 m ³	14,648 m ³
2	25,000	1,178 m ²				
2	25,000	0,032 m ²				
Sx			0,032 m ²	2,190	0,082 m ³	14,730 m ³
3	27,190	0,032 m ²				
2	25,000	1,178 m ²				
Dx			1,169 m ²	2,190	2,383 m ³	17,113 m ³
3	27,190	1,160 m ²				
3	27,190	0,032 m ²				
Sx			0,016 m ²	22,810	0,395 m ³	17,508 m ³
4	50,000	0,000 m ²				
3	27,190	1,160 m ²				
Dx			0,580 m ²	22,810	12,773 m ³	30,281 m ³
4	50,000	0,000 m ²				
4	50,000	0,000 m ²				
			0,154 m ²	4,380	0,670 m ³	30,951 m ³
5	54,380	0,308 m ²				
5	54,380	0,308 m ²				
			0,462 m ²	20,620	9,521 m ³	40,472 m ³
6	75,000	0,615 m ²				
6	75,000	0,615 m ²				
			0,453 m ²	25,000	11,319 m ³	51,791 m ³
7	100,000	0,290 m ²				
7	100,000	0,290 m ²				
			0,290 m ²	25,000	7,250 m ³	59,041 m ³
8	125,000	0,290 m ²				
8	125,000	0,290 m ²				
			0,290 m ²	25,000	7,250 m ³	66,291 m ³
9	150,000	0,290 m ²				
9	150,000	0,290 m ²				
			0,290 m ²	25,000	7,250 m ³	73,541 m ³
10	175,000	0,290 m ²				
10	175,000	0,290 m ²				
			0,954 m ²	25,000	23,859 m ³	97,400 m ³
11	200,000	1,619 m ²				
11	200,000	1,619 m ²				
			1,196 m ²	25,000	29,894 m ³	127,294 m ³
12	225,000	0,773 m ²				
12	225,000	0,773 m ²				
			0,685 m ²	25,000	17,121 m ³	144,415 m ³
13	250,000	0,597 m ²				
13	250,000	0,597 m ²				
			0,724 m ²	4,377	3,168 m ³	147,583 m ³
14	254,377	0,851 m ²				
14	254,377	0,851 m ²				
			1,277 m ²	20,623	26,341 m ³	173,924 m ³
15	275,000	1,704 m ²				
15	275,000	1,704 m ²				
			1,625 m ²	25,000	40,614 m ³	214,538 m ³
16	300,000	1,545 m ²				
16	300,000	1,545 m ²				
			1,036 m ²	25,000	25,899 m ³	240,437 m ³
17	325,000	0,527 m ²				

RILEVATO (RI)

Sezione	Distanza progressiva	Area	Area Media	Distanza parziale	Volume	
					Parziale	Totale
17	325,000	0,527 m ²	0,335 m ²	4,372	1,463 m ³	241,900 m ³
18	329,372	0,142 m ²				

SCOTICO (SCOT)

Sezione	Distanza progressiva	Sviluppo	Sviluppo Media	Distanza parziale	Area	
					Parziale	Totale
1	0,000	0,000 m				
Sx			0,589 m	25,000	16,190 m ²	16,190 m ²
2	25,000	1,179 m				
1	0,000	0,000 m				
Dx			1,537 m	25,000	36,977 m ²	53,167 m ²
2	25,000	3,074 m				
2	25,000	1,179 m				
Sx			1,157 m	2,190	3,033 m ²	56,200 m ²
3	27,190	1,135 m				
2	25,000	3,074 m				
Dx			3,063 m	2,190	6,204 m ²	62,404 m ²
3	27,190	3,053 m				
3	27,190	1,135 m				
Sx			0,568 m	22,810	14,216 m ²	76,620 m ²
4	50,000	0,000 m				
3	27,190	3,053 m				
Dx			1,526 m	22,810	33,508 m ²	110,128 m ²
4	50,000	0,000 m				
5	54,380	0,000 m				
			0,654 m	20,620	13,493 m ²	123,621 m ²
6	75,000	1,309 m				
6	75,000	1,309 m				
			0,654 m	25,000	16,360 m ²	139,981 m ²
7	100,000	0,000 m				
10	175,000	0,000 m				
			1,404 m	25,000	35,091 m ²	175,072 m ²
11	200,000	2,807 m				
11	200,000	2,807 m				
			1,484 m	25,000	37,088 m ²	212,160 m ²
12	225,000	0,160 m				
12	225,000	0,160 m				
			0,141 m	25,000	3,522 m ²	215,682 m ²
13	250,000	0,122 m				
13	250,000	0,122 m				
			0,135 m	4,377	0,591 m ²	216,273 m ²
14	254,377	0,148 m				
14	254,377	0,148 m				
			2,210 m	20,623	45,580 m ²	261,853 m ²
15	275,000	4,272 m				
15	275,000	4,272 m				
			3,716 m	25,000	92,903 m ²	354,756 m ²
16	300,000	3,160 m				
16	300,000	3,160 m				
			2,392 m	25,000	59,797 m ²	414,553 m ²
17	325,000	1,624 m				
17	325,000	1,624 m				
			0,812 m	4,372	3,550 m ²	418,103 m ²
18	329,372	0,000 m				

					STERRO (ST)	
Sezione	Distanza progressiva	Area	Area Media	Distanza parziale	Volume	
					Parziale	Totale
1	0,000	4,206 m ²				
Sx			3,835 m ²	25,000	105,083 m ³	105,083 m ³
2	25,000	3,464 m ²				
1	0,000	2,110 m ²				
Dx			1,167 m ²	25,000	28,281 m ³	133,364 m ³
2	25,000	0,224 m ²				
2	25,000	3,464 m ²				
Sx			3,485 m ²	2,190	8,313 m ³	141,677 m ³
3	27,190	3,506 m ²				
2	25,000	0,224 m ²				
Dx			0,217 m ²	2,190	0,469 m ³	142,146 m ³
3	27,190	0,209 m ²				
3	27,190	3,506 m ²				
Sx			2,981 m ²	22,810	72,962 m ³	215,108 m ³
4	50,000	2,457 m ²				
3	27,190	0,209 m ²				
Dx			0,536 m ²	22,810	12,036 m ³	227,144 m ³
4	50,000	0,863 m ²				
4	50,000	2,457 m ²				
Sx			2,303 m ²	4,380	10,629 m ³	237,773 m ³
5	54,380	2,150 m ²				
4	50,000	0,863 m ²				
Dx			0,848 m ²	4,380	3,634 m ³	241,407 m ³
5	54,380	0,833 m ²				
5	54,380	2,982 m ²				
			2,848 m ²	20,620	58,733 m ³	300,140 m ³
6	75,000	2,714 m ²				
6	75,000	2,714 m ²				
			2,957 m ²	25,000	73,926 m ³	374,066 m ³
7	100,000	3,200 m ²				
7	100,000	3,200 m ²				
			3,656 m ²	25,000	91,410 m ³	465,476 m ³
8	125,000	4,113 m ²				
8	125,000	4,113 m ²				
			4,233 m ²	25,000	105,828 m ³	571,304 m ³
9	150,000	4,353 m ²				
9	150,000	4,353 m ²				
			4,097 m ²	25,000	102,413 m ³	673,717 m ³
10	175,000	3,840 m ²				
10	175,000	3,840 m ²				
			2,612 m ²	25,000	65,295 m ³	739,012 m ³
11	200,000	1,384 m ²				
11	200,000	1,384 m ²				
			1,298 m ²	25,000	32,455 m ³	771,467 m ³
12	225,000	1,213 m ²				
12	225,000	1,213 m ²				
			1,283 m ²	25,000	32,077 m ³	803,544 m ³
13	250,000	1,354 m ²				
13	250,000	1,354 m ²				
			1,207 m ²	4,377	5,281 m ³	808,825 m ³
14	254,377	1,060 m ²				
14	254,377	1,060 m ²				
			0,811 m ²	20,623	16,731 m ³	825,556 m ³
15	275,000	0,563 m ²				
15	275,000	0,563 m ²				
			0,554 m ²	25,000	13,840 m ³	839,396 m ³
16	300,000	0,544 m ²				

STERRO (ST)

Sezione	Distanza progressiva	Area	Area Media	Distanza parziale	Volume	
					Parziale	Totale
16	300,000	0,544 m ²	0,564 m ²	25,000	14,106 m ³	853,502 m ³
17	325,000	0,584 m ²	0,608 m ²	4,372	2,657 m ³	856,159 m ³
17	325,000	0,584 m ²				
18	329,372	0,631 m ²				

					TERRENO VEGETALE (TVEG)	
Sezione	Distanza progressiva	Sviluppo	Sviluppo Media	Distanza parziale	Area	
					Parziale	Totale
1	0,000	3,315 m				
2	25,000	3,128 m	3,222 m	25,000	85,740 m ²	85,740 m ²
2	25,000	3,128 m	3,128 m	2,190	7,315 m ²	93,055 m ²
3	27,190	3,128 m				
3	27,190	3,128 m	2,364 m	22,810	54,662 m ²	147,717 m ²
4	50,000	1,599 m				
4	50,000	1,599 m	1,599 m	4,380	6,737 m ²	154,454 m ²
5	54,380	1,599 m				
5	54,380	1,599 m	1,599 m	20,620	32,973 m ²	187,427 m ²
6	75,000	1,599 m				
6	75,000	1,599 m	1,599 m	25,000	39,977 m ²	227,404 m ²
7	100,000	1,599 m				
7	100,000	1,599 m	1,599 m	25,000	39,977 m ²	267,381 m ²
8	125,000	1,599 m				
8	125,000	1,599 m	1,599 m	25,000	39,977 m ²	307,358 m ²
9	150,000	1,599 m				
9	150,000	1,599 m	1,599 m	25,000	39,977 m ²	347,335 m ²
10	175,000	1,599 m				
10	175,000	1,599 m	1,599 m	25,000	39,977 m ²	387,312 m ²
11	200,000	1,599 m				
11	200,000	1,599 m	1,599 m	25,000	39,977 m ²	427,289 m ²
12	225,000	1,599 m				
12	225,000	1,599 m	1,599 m	25,000	39,977 m ²	467,266 m ²
13	250,000	1,599 m				
13	250,000	1,599 m	1,599 m	4,377	6,999 m ²	474,265 m ²
14	254,377	1,599 m				
14	254,377	1,599 m	1,599 m	20,623	32,978 m ²	507,243 m ²
15	275,000	1,599 m				
15	275,000	1,599 m	1,599 m	25,000	39,977 m ²	547,220 m ²
16	300,000	1,599 m				
16	300,000	1,599 m	1,599 m	25,000	39,977 m ²	587,197 m ²
17	325,000	1,599 m				
17	325,000	1,599 m	1,599 m	4,372	6,991 m ²	594,188 m ²
18	329,372	1,599 m				

Corsia B					Data: 28/04/2021		
					Ora: 09:42:15		
COMPUTO DELLE QUANTITA'					Pagina: 9 / 10		
					STRATO DI USURA (USURA)		
Sezione	Distanza progressiva	Sviluppo	Sviluppo Media	Distanza parziale	Area		
					Parziale	Totale	
1	Sx	0,000	5,000 m	5,000 m	25,000	133,872 m ²	133,872 m ²
2		25,000	5,000 m				
1	Dx	0,000	1,000 m	1,000 m	25,000	24,645 m ²	158,517 m ²
2		25,000	1,000 m				
2	Sx	25,000	5,000 m	5,000 m	2,190	11,727 m ²	170,244 m ²
3		27,190	5,000 m				
2	Dx	25,000	1,000 m	1,000 m	2,190	2,159 m ²	172,403 m ²
3		27,190	1,000 m				
3	Sx	27,190	5,000 m	4,466 m	22,810	108,328 m ²	280,731 m ²
4		50,000	3,932 m				
3	Dx	27,190	1,000 m	0,820 m	22,810	18,475 m ²	299,206 m ²
4		50,000	0,639 m				
4	Sx	50,000	3,932 m	3,769 m	4,380	17,392 m ²	316,598 m ²
5		54,380	3,606 m				
4	Dx	50,000	0,639 m	0,570 m	4,380	2,474 m ²	319,072 m ²
5		54,380	0,500 m				
5		54,380	4,106 m	4,164 m	20,620	85,863 m ²	404,935 m ²
6		75,000	4,222 m				
6		75,000	4,222 m	4,236 m	25,000	105,899 m ²	510,834 m ²
7		100,000	4,250 m				
7		100,000	4,250 m	4,250 m	25,000	106,250 m ²	617,084 m ²
8		125,000	4,250 m				
8		125,000	4,250 m	4,264 m	25,000	106,611 m ²	723,695 m ²
9		150,000	4,279 m				
9		150,000	4,279 m	4,304 m	25,000	107,599 m ²	831,294 m ²
10		175,000	4,329 m				
10		175,000	4,329 m	4,355 m	25,000	108,868 m ²	940,162 m ²
11		200,000	4,380 m				
11		200,000	4,380 m	4,430 m	25,000	110,745 m ²	1050,907 m ²
12		225,000	4,479 m				
12		225,000	4,479 m	4,253 m	25,000	106,315 m ²	1157,222 m ²
13		250,000	4,026 m				
13		250,000	4,026 m	3,971 m	4,377	17,383 m ²	1174,605 m ²
14		254,377	3,917 m				
14		254,377	3,917 m	3,418 m	20,623	70,497 m ²	1245,102 m ²
15		275,000	2,920 m				
15		275,000	2,920 m	2,315 m	25,000	57,871 m ²	1302,973 m ²
16		300,000	1,710 m				

STRATO DI USURA (USURA)

Sezione	Distanza progressiva	Sviluppo	Sviluppo Media	Distanza parziale	Area	
					Parziale	Totale
16	300,000	1,710 m	1,001 m	25,000	25,017 m ²	1327,990 m ²
17	325,000	0,292 m				
17	325,000	0,292 m	0,166 m	4,372	0,727 m ²	1328,717 m ²
18	329,372	0,041 m				

CORSIA D

Codice	Descrizione	Quantità
BON	BONIFICA	7,148 m ³
CANAL	CANALETTA	5,029 m ³
FONDA	STRATO DI FONDAZIONE	240,669 m ³
GRAD	SCAVO A GRADONI	1130,360 m ²
RI	RILEVATO	354,599 m ³
SCOT	SCOTICO	371,946 m ²
ST	STERRO	580,256 m ³
TVEG	TERRENO VEGETALE	315,128 m ²
USURA	STRATI LEGATI	791,510 m ²

MISTO CEMENTATO

Misto cementato

791,510-199,348= **592,162 m²**

COMPUTO DELLE QUANTITA'

Pagina: 1 / 9

BONIFICA (BON)

Sezione	Distanza progressiva	Area	Area Media	Distanza parziale	Volume	
					Parziale	Totale
1	0,000	0,230 m ²	0,115 m ²	17,164	1,895 m ³	1,895 m ³
2	17,164	0,000 m ²				
3	25,000	0,000 m ²	0,213 m ²	9,329	1,919 m ³	3,814 m ³
4	34,329	0,425 m ²				
4	34,329	0,425 m ²	0,213 m ²	15,671	3,334 m ³	7,148 m ³
5	50,000	0,000 m ²				

CANALETTA (CANAL)

Sezione	Distanza progressiva	Area	Area Media	Distanza parziale	Volume	
					Parziale	Totale
1	0,000	0,209 m ²	0,209 m ²	17,164	4,147 m ³	4,147 m ³
2	17,164	0,208 m ²	0,104 m ²	7,836	0,882 m ³	5,029 m ³
2	17,164	0,208 m ²				
3	25,000	0,000 m ²				

STRATO DI FONDAZIONE (FONDA)

Sezione	Distanza progressiva	Area	Area Media	Distanza parziale	Volume	
					Parziale	Totale
1	0,000	1,229 m ²				
Sx			1,229 m ²	17,164	22,947 m ³	22,947 m ³
2	17,164	1,229 m ²				
1	0,000	0,590 m ²				
Dx			0,590 m ²	17,164	9,698 m ³	32,645 m ³
2	17,164	0,590 m ²				
2	17,164	1,229 m ²				
Sx			1,110 m ²	7,836	9,391 m ³	42,036 m ³
3	25,000	0,992 m ²				
2	17,164	0,590 m ²				
Dx			0,567 m ²	7,836	4,263 m ³	46,299 m ³
3	25,000	0,544 m ²				
3	25,000	0,992 m ²				
Sx			0,846 m ²	9,329	8,368 m ³	54,667 m ³
4	34,329	0,700 m ²				
3	25,000	0,544 m ²				
Dx			0,517 m ²	9,329	4,645 m ³	59,312 m ³
4	34,329	0,490 m ²				
4	34,329	1,190 m ²				
			1,199 m ²	15,671	18,791 m ³	78,103 m ³
5	50,000	1,208 m ²				
5	50,000	1,208 m ²				
			1,223 m ²	25,000	30,564 m ³	108,667 m ³
6	75,000	1,237 m ²				
6	75,000	1,237 m ²				
			1,237 m ²	25,000	30,921 m ³	139,588 m ³
7	100,000	1,237 m ²				
7	100,000	1,237 m ²				
			1,227 m ²	25,000	30,688 m ³	170,276 m ³
8	125,000	1,218 m ²				
8	125,000	1,218 m ²				
			1,209 m ²	25,000	30,229 m ³	200,505 m ³
9	150,000	1,200 m ²				
9	150,000	1,200 m ²				
			1,199 m ²	3,550	4,257 m ³	204,762 m ³
10	153,550	1,198 m ²				
10	153,550	1,198 m ²				
			1,008 m ²	21,450	21,616 m ³	226,378 m ³
11	175,000	0,817 m ²				
11	175,000	0,817 m ²				
			0,604 m ²	23,677	14,291 m ³	240,669 m ³
12	198,677	0,390 m ²				

SCAVO A GRADONI (GRAD)

Sezione	Distanza progressiva	Sviluppo	Sviluppo Media	Distanza parziale	Area	
					Parziale	Totale
4	34,329	0,000 m	2,976 m	15,671	46,634 m ²	46,634 m ²
5	50,000	5,952 m	5,922 m	25,000	148,044 m ²	194,678 m ²
5	50,000	5,952 m	5,840 m	25,000	146,002 m ²	340,680 m ²
6	75,000	5,892 m	6,169 m	25,000	154,222 m ²	494,902 m ²
6	75,000	5,892 m	9,009 m	25,000	225,229 m ²	720,131 m ²
7	100,000	5,788 m	11,194 m	3,550	39,739 m ²	759,870 m ²
7	100,000	5,788 m	10,480 m	21,450	224,790 m ²	984,660 m ²
8	125,000	6,549 m	10,040 m	6,154 m	145,700 m ²	1130,360 m ²
8	125,000	6,549 m	198,677	2,267 m		

COMPUTO DELLE QUANTITA'

Pagina: 5 / 9

					RILEVATO (RI)	
Sezione	Distanza progressiva	Area	Area Media	Distanza parziale	Volume	
					Parziale	Totale
1	0,000	0,068 m ²				
Sx	17,164	0,066 m ²	0,067 m ²	17,164	1,362 m ³	1,362 m ³
2	0,000	0,264 m ²				
Dx	17,164	0,002 m ²	0,133 m ²	17,164	2,111 m ³	3,473 m ³
2	17,164	0,066 m ²				
Sx	25,000	0,000 m ²	0,033 m ²	7,836	0,273 m ³	3,746 m ³
3	17,164	0,002 m ²				
Dx	25,000	0,020 m ²	0,011 m ²	7,836	0,082 m ³	3,828 m ³
3	25,000	0,020 m ²				
	34,329	0,755 m ²	0,388 m ²	9,329	3,346 m ³	7,174 m ³
4	34,329	0,755 m ²				
	50,000	0,261 m ²	0,508 m ²	15,671	7,957 m ³	15,131 m ³
5	50,000	0,261 m ²				
	75,000	0,198 m ²	0,229 m ²	25,000	5,732 m ³	20,863 m ³
6	75,000	0,198 m ²				
	100,000	0,002 m ²	0,100 m ²	25,000	2,494 m ³	23,357 m ³
7	100,000	0,002 m ²				
	125,000	0,177 m ²	0,089 m ²	25,000	2,226 m ³	25,583 m ³
8	125,000	0,177 m ²				
	150,000	5,754 m ²	2,965 m ²	25,000	74,126 m ³	99,709 m ³
9	150,000	5,754 m ²				
	153,550	6,582 m ²	6,168 m ²	3,550	21,895 m ³	121,604 m ³
10	153,550	6,582 m ²				
	175,000	7,192 m ²	6,887 m ²	21,450	147,726 m ³	269,330 m ³
11	175,000	7,192 m ²				
	198,677	0,011 m ²	3,601 m ²	23,677	85,269 m ³	354,599 m ³

SCOTICO (SCOT)

Sezione	Distanza progressiva	Sviluppo	Sviluppo Media	Distanza parziale	Area	
					Parziale	Totale
3	25,000	0,000 m				
4	34,329	0,812 m	0,406 m	9,329	3,643 m ²	3,643 m ²
4	34,329	0,812 m				
5	50,000	0,000 m	0,406 m	15,671	6,364 m ²	10,007 m ²
7	100,000	0,000 m				
8	125,000	0,356 m	0,178 m	25,000	4,450 m ²	14,457 m ²
8	125,000	0,356 m				
9	150,000	6,748 m	3,552 m	25,000	88,801 m ²	103,258 m ²
9	150,000	6,748 m				
10	153,550	6,160 m	6,454 m	3,550	22,911 m ²	126,169 m ²
10	153,550	6,160 m				
11	175,000	7,965 m	7,062 m	21,450	151,486 m ²	277,655 m ²
11	175,000	7,965 m				
12	198,677	0,000 m	3,982 m	23,677	94,291 m ²	371,946 m ²

					STERRO (ST)	
Sezione	Distanza progressiva	Area	Area Media	Distanza parziale	Volume	
					Parziale	Totale
1	0,000	4,020 m ²				
Sx	17,164	3,854 m ²	3,937 m ²	17,164	73,719 m ³	73,719 m ³
2	0,000	1,473 m ²				
Dx	17,164	0,993 m ²	1,233 m ²	17,164	20,514 m ³	94,233 m ³
2	17,164	3,854 m ²				
Sx	25,000	3,096 m ²	3,475 m ²	7,836	29,396 m ³	123,629 m ³
3	17,164	0,993 m ²				
Dx	17,164	0,993 m ²	1,120 m ²	7,836	8,540 m ³	132,169 m ³
3	25,000	1,246 m ²				
Sx	25,000	3,096 m ²	2,557 m ²	9,329	25,302 m ³	157,471 m ³
4	34,329	2,018 m ²				
3	25,000	1,246 m ²				
Dx	25,000	1,246 m ²	1,125 m ²	9,329	10,204 m ³	167,675 m ³
4	34,329	1,003 m ²				
4	34,329	3,020 m ²				
			3,087 m ²	15,671	48,374 m ³	216,049 m ³
5	50,000	3,153 m ²				
5	50,000	3,153 m ²				
			3,305 m ²	25,000	82,613 m ³	298,662 m ³
6	75,000	3,456 m ²				
6	75,000	3,456 m ²				
			3,372 m ²	25,000	84,310 m ³	382,972 m ³
7	100,000	3,289 m ²				
7	100,000	3,289 m ²				
			3,098 m ²	25,000	77,452 m ³	460,424 m ³
8	125,000	2,907 m ²				
8	125,000	2,907 m ²				
			2,523 m ²	25,000	63,084 m ³	523,508 m ³
9	150,000	2,139 m ²				
9	150,000	2,139 m ²				
			2,098 m ²	3,550	7,450 m ³	530,958 m ³
10	153,550	2,058 m ²				
10	153,550	2,058 m ²				
			1,349 m ²	21,450	28,932 m ³	559,890 m ³
11	175,000	0,640 m ²				
11	175,000	0,640 m ²				
			0,860 m ²	23,677	20,366 m ³	580,256 m ³
12	198,677	1,080 m ²				

					TERRENO VEGETALE (TVEG)	
Sezione	Distanza progressiva	Sviluppo	Sviluppo Media	Distanza parziale	Area	
					Parziale	Totale
1	0,000	1,599 m				
2	17,164	1,599 m	1,599 m	17,164	26,056 m ²	26,056 m ²
2	17,164	1,599 m	1,599 m	7,836	11,936 m ²	37,992 m ²
3	25,000	1,599 m				
3	25,000	1,599 m	1,599 m	9,329	14,318 m ²	52,310 m ²
4	34,329	1,599 m				
4	34,329	1,599 m	1,599 m	15,671	25,059 m ²	77,369 m ²
5	50,000	1,599 m				
5	50,000	1,599 m	1,599 m	25,000	39,977 m ²	117,346 m ²
6	75,000	1,599 m				
6	75,000	1,599 m	1,599 m	25,000	39,977 m ²	157,323 m ²
7	100,000	1,599 m				
7	100,000	1,599 m	1,599 m	25,000	39,977 m ²	197,300 m ²
8	125,000	1,599 m				
8	125,000	1,599 m	1,599 m	25,000	39,977 m ²	237,277 m ²
9	150,000	1,599 m				
9	150,000	1,599 m	1,600 m	3,550	5,679 m ²	242,956 m ²
10	153,550	1,600 m				
10	153,550	1,600 m	1,600 m	21,450	34,311 m ²	277,267 m ²
11	175,000	1,599 m				
11	175,000	1,599 m	1,599 m	23,677	37,861 m ²	315,128 m ²
12	198,677	1,599 m				

STRATI LEGATI (USURA)

Sezione	Distanza progressiva	Sviluppo	Sviluppo Media	Distanza parziale	Area	
					Parziale	Totale
1	0,000	5,000 m				
Sx			5,000 m	17,164	91,956 m ²	91,956 m ²
2	17,164	5,000 m				
1	0,000	1,000 m	1,000 m	17,164	16,911 m ²	108,867 m ²
Dx						
2	17,164	0,999 m				
2	17,164	5,000 m	4,979 m	7,836	41,793 m ²	150,660 m ²
Sx						
3	25,000	4,958 m				
2	17,164	0,999 m	0,885 m	7,836	6,848 m ²	157,508 m ²
Dx						
3	25,000	0,771 m				
3	25,000	4,958 m	4,229 m	9,329	41,840 m ²	199,348 m ²
Sx						
4	34,329	3,500 m				
3	25,000	0,771 m	0,636 m	9,329	5,876 m ²	205,224 m ²
Dx						
4	34,329	0,500 m				
4	34,329	4,000 m	4,046 m	15,671	63,398 m ²	268,622 m ²
Sx						
5	50,000	4,091 m				
5	50,000	4,091 m	4,163 m	25,000	104,068 m ²	372,690 m ²
Sx						
6	75,000	4,235 m				
6	75,000	4,235 m	4,234 m	25,000	105,853 m ²	478,543 m ²
Sx						
7	100,000	4,233 m				
7	100,000	4,233 m	4,188 m	25,000	104,689 m ²	583,232 m ²
Sx						
8	125,000	4,142 m				
8	125,000	4,142 m	4,096 m	25,000	102,396 m ²	685,628 m ²
Sx						
9	150,000	4,050 m				
9	150,000	4,050 m	4,045 m	3,550	14,359 m ²	699,987 m ²
Sx						
10	153,550	4,040 m				
10	153,550	4,040 m	3,088 m	21,450	66,237 m ²	766,224 m ²
Sx						
11	175,000	2,136 m				
11	175,000	2,136 m	1,068 m	23,677	25,286 m ²	791,510 m ²
Sx						
12	198,677	0,000 m				

ROTATORIA CAMPEDA

Codice	Descrizione	Quantità
BON	BONIFICA	207,494 m ³
FONDA	STRATO DI FONDAZIONE	156,892 m ³
RI	RILEVATO	1440,996 m ³
SCOT	SCOTICO	1037,470 m ²
TVEG	TERRENO VEGETALE	564,282 m ²
USURA	STRATO DI USURA	578,056 m ²

					BONIFICA (BON)		
Sezione	Distanza progressiva	Area	Area Media	Distanza parziale	Volume		
					Parziale	Totale	
1	Sx	0,000	3,296 m ²	3,296 m ²	1,001	0,935 m ³	0,935 m ³
2		1,001	3,296 m ²				
1	Dx	0,000	1,301 m ²	1,293 m ²	1,001	1,658 m ³	2,593 m ³
2		1,001	1,285 m ²				
2	Sx	1,001	3,296 m ²	3,296 m ²	1,742	1,627 m ³	4,220 m ³
3		2,743	3,296 m ²				
2	Dx	1,001	1,285 m ²	1,273 m ²	1,742	2,832 m ³	7,052 m ³
3		2,743	1,262 m ²				
3	Sx	2,743	3,296 m ²	3,296 m ²	2,314	2,163 m ³	9,215 m ³
4		5,057	3,296 m ²				
3	Dx	2,743	1,262 m ²	1,250 m ²	2,314	3,679 m ³	12,894 m ³
4		5,057	1,238 m ²				
4	Sx	5,057	3,296 m ²	3,296 m ²	3,423	3,202 m ³	16,096 m ³
5		8,480	3,296 m ²				
4	Dx	5,057	1,238 m ²	1,222 m ²	3,423	5,292 m ³	21,388 m ³
5		8,480	1,205 m ²				
5	Sx	8,480	3,296 m ²	3,296 m ²	0,911	0,851 m ³	22,239 m ³
6		9,392	3,296 m ²				
5	Dx	8,480	1,205 m ²	1,202 m ²	0,911	1,381 m ³	23,620 m ³
6		9,392	1,200 m ²				
6	Sx	9,392	3,296 m ²	3,296 m ²	1,057	0,987 m ³	24,607 m ³
7		10,448	3,296 m ²				
6	Dx	9,392	1,200 m ²	1,202 m ²	1,057	1,602 m ³	26,209 m ³
7		10,448	1,204 m ²				
7	Sx	10,448	3,296 m ²	3,296 m ²	4,034	3,770 m ³	29,979 m ³
8		14,482	3,296 m ²				
7	Dx	10,448	1,204 m ²	1,244 m ²	4,034	6,375 m ³	36,354 m ³
8		14,482	1,284 m ²				
8	Sx	14,482	3,296 m ²	3,296 m ²	3,582	3,348 m ³	39,702 m ³
9		18,064	3,296 m ²				
8	Dx	14,482	1,284 m ²	1,308 m ²	3,582	6,015 m ³	45,717 m ³
9		18,064	1,332 m ²				
9	Sx	18,064	3,296 m ²	3,296 m ²	0,282	0,263 m ³	45,980 m ³
10		18,346	3,296 m ²				
9	Dx	18,064	1,332 m ²	1,334 m ²	0,282	0,485 m ³	46,465 m ³
10		18,346	1,336 m ²				
10	Sx	18,346	3,296 m ²	3,296 m ²	0,352	0,329 m ³	46,794 m ³
11		18,698	3,296 m ²				

					BONIFICA (BON)		
Sezione	Distanza progressiva	Area	Area Media	Distanza parziale	Volume		
					Parziale	Totale	
10	Dx	18,346	1,336 m ²	1,339 m ²	0,352	0,608 m ³	47,402 m ³
11		18,698	1,342 m ²				
11	Sx	18,698	3,296 m ²	3,296 m ²	5,461	5,100 m ³	52,502 m ³
12		24,159	3,296 m ²				
11	Dx	18,698	1,342 m ²	1,408 m ²	5,461	10,046 m ³	62,548 m ³
12		24,159	1,475 m ²				
12	Sx	24,159	3,296 m ²	3,296 m ²	1,501	1,402 m ³	63,950 m ³
13		25,660	3,296 m ²				
12	Dx	24,159	1,475 m ²	1,495 m ²	1,501	2,972 m ³	66,922 m ³
13		25,660	1,514 m ²				
13	Sx	25,660	3,296 m ²	3,296 m ²	0,020	0,019 m ³	66,941 m ³
14		25,680	3,296 m ²				
13	Dx	25,660	1,514 m ²	1,515 m ²	0,020	0,040 m ³	66,981 m ³
14		25,680	1,515 m ²				
14	Sx	25,680	3,296 m ²	3,296 m ²	5,789	5,410 m ³	72,391 m ³
15		31,469	3,296 m ²				
14	Dx	25,680	1,515 m ²	1,552 m ²	5,789	12,019 m ³	84,410 m ³
15		31,469	1,589 m ²				
15	Sx	31,469	3,296 m ²	3,296 m ²	2,406	2,250 m ³	86,660 m ³
16		33,875	3,296 m ²				
15	Dx	31,469	1,589 m ²	1,595 m ²	2,406	5,170 m ³	91,830 m ³
16		33,875	1,601 m ²				
16	Sx	33,875	3,296 m ²	3,296 m ²	2,051	1,918 m ³	93,748 m ³
17		35,926	3,296 m ²				
16	Dx	33,875	1,601 m ²	1,612 m ²	2,051	4,466 m ³	98,214 m ³
17		35,926	1,623 m ²				
17	Sx	35,926	3,296 m ²	3,296 m ²	0,202	0,189 m ³	98,403 m ³
18		36,128	3,296 m ²				
17	Dx	35,926	1,623 m ²	1,624 m ²	0,202	0,444 m ³	98,847 m ³
18		36,128	1,626 m ²				
18	Sx	36,128	3,296 m ²	3,296 m ²	2,257	2,111 m ³	100,958 m ³
19		38,385	3,296 m ²				
18	Dx	36,128	1,626 m ²	1,630 m ²	2,257	4,983 m ³	105,941 m ³
19		38,385	1,634 m ²				
19	Sx	38,385	3,296 m ²	3,296 m ²	10,621	9,919 m ³	115,860 m ³
20		49,006	3,296 m ²				
19	Dx	38,385	1,634 m ²	1,633 m ²	10,621	23,502 m ³	139,362 m ³
20		49,006	1,632 m ²				

					BONIFICA (BON)		
Sezione	Distanza progressiva	Area	Area Media	Distanza parziale	Volume		
					Parziale	Totale	
20	Sx	49,006	3,296 m ²	3,296 m ²	3,765	3,519 m ³	142,881 m ³
21		52,771	3,296 m ²				
20	Dx	49,006	1,632 m ²	1,634 m ²	3,765	8,336 m ³	151,217 m ³
21		52,771	1,635 m ²				
21	Sx	52,771	3,296 m ²	3,296 m ²	1,421	1,329 m ³	152,546 m ³
22		54,192	3,296 m ²				
21	Dx	52,771	1,635 m ²	1,630 m ²	1,421	3,138 m ³	155,684 m ³
22		54,192	1,625 m ²				
22	Sx	54,192	3,296 m ²	3,296 m ²	5,808	5,428 m ³	161,112 m ³
23		60,000	3,296 m ²				
22	Dx	54,192	1,625 m ²	1,583 m ²	5,808	12,360 m ³	173,472 m ³
23		60,000	1,541 m ²				
23	Sx	60,000	3,296 m ²	3,296 m ²	3,395	3,173 m ³	176,645 m ³
24		63,395	3,296 m ²				
23	Dx	60,000	1,541 m ²	1,490 m ²	3,395	6,697 m ³	183,342 m ³
24		63,395	1,438 m ²				
24	Sx	63,395	3,296 m ²	3,296 m ²	2,599	2,429 m ³	185,771 m ³
25		65,994	3,296 m ²				
24	Dx	63,395	1,438 m ²	1,427 m ²	2,599	4,858 m ³	190,629 m ³
25		65,994	1,415 m ²				
25	Sx	65,994	3,296 m ²	3,296 m ²	5,108	4,767 m ³	195,396 m ³
26		71,102	3,296 m ²				
25	Dx	65,994	1,415 m ²	1,369 m ²	5,108	9,073 m ³	204,469 m ³
26		71,102	1,323 m ²				
26	Sx	71,102	3,296 m ²	3,296 m ²	1,155	1,078 m ³	205,547 m ³
27		72,257	3,296 m ²				
26	Dx	71,102	1,323 m ²	1,312 m ²	1,155	1,947 m ³	207,494 m ³
27		72,257	1,301 m ²				

STRATO DI FONDAZIONE (FONDA)

Sezione	Distanza progressiva	Area	Area Media	Distanza parziale	Volume		
					Parziale	Totale	
1	Sx	0,000	0,929 m ²	0,929 m ²	1,001	0,742 m ³	0,742 m ³
2		1,001	0,929 m ²				
1	Dx	0,000	1,145 m ²	1,145 m ²	1,001	1,431 m ³	2,173 m ³
2		1,001	1,145 m ²				
2	Sx	1,001	0,929 m ²	0,929 m ²	1,742	1,292 m ³	3,465 m ³
3		2,743	0,929 m ²				
2	Dx	1,001	1,145 m ²	1,145 m ²	1,742	2,490 m ³	5,955 m ³
3		2,743	1,145 m ²				
3	Sx	2,743	0,929 m ²	0,929 m ²	2,314	1,716 m ³	7,671 m ³
4		5,057	0,929 m ²				
3	Dx	2,743	1,145 m ²	1,145 m ²	2,314	3,308 m ³	10,979 m ³
4		5,057	1,145 m ²				
4	Sx	5,057	0,929 m ²	0,929 m ²	3,423	2,537 m ³	13,516 m ³
5		8,480	0,929 m ²				
4	Dx	5,057	1,145 m ²	1,145 m ²	3,423	4,895 m ³	18,411 m ³
5		8,480	1,145 m ²				
5	Sx	8,480	0,929 m ²	0,929 m ²	0,911	0,675 m ³	19,086 m ³
6		9,392	0,929 m ²				
5	Dx	8,480	1,145 m ²	1,145 m ²	0,911	1,303 m ³	20,389 m ³
6		9,392	1,145 m ²				
6	Sx	9,392	0,929 m ²	0,929 m ²	1,057	0,784 m ³	21,173 m ³
7		10,448	0,929 m ²				
6	Dx	9,392	1,145 m ²	1,145 m ²	1,057	1,511 m ³	22,684 m ³
7		10,448	1,145 m ²				
7	Sx	10,448	0,929 m ²	0,929 m ²	4,034	2,991 m ³	25,675 m ³
8		14,482	0,929 m ²				
7	Dx	10,448	1,145 m ²	1,145 m ²	4,034	5,769 m ³	31,444 m ³
8		14,482	1,145 m ²				
8	Sx	14,482	0,929 m ²	0,929 m ²	3,582	2,655 m ³	34,099 m ³
9		18,064	0,929 m ²				
8	Dx	14,482	1,145 m ²	1,145 m ²	3,582	5,122 m ³	39,221 m ³
9		18,064	1,145 m ²				
9	Sx	18,064	0,929 m ²	0,929 m ²	0,282	0,209 m ³	39,430 m ³
10		18,346	0,929 m ²				
9	Dx	18,064	1,145 m ²	1,145 m ²	0,282	0,403 m ³	39,833 m ³
10		18,346	1,145 m ²				
10	Sx	18,346	0,929 m ²	0,929 m ²	0,352	0,261 m ³	40,094 m ³
11		18,698	0,929 m ²				

STRATO DI FONDAZIONE (FONDA)

Sezione	Distanza progressiva	Area	Area Media	Distanza parziale	Volume		
					Parziale	Totale	
10	Dx	18,346	1,145 m ²	1,145 m ²	0,352	0,503 m ³	40,597 m ³
11		18,698	1,145 m ²				
11	Sx	18,698	0,929 m ²	0,929 m ²	5,461	4,049 m ³	44,646 m ³
12		24,159	0,929 m ²				
11	Dx	18,698	1,145 m ²	1,145 m ²	5,461	7,808 m ³	52,454 m ³
12		24,159	1,145 m ²				
12	Sx	24,159	0,929 m ²	0,929 m ²	1,501	1,113 m ³	53,567 m ³
13		25,660	0,929 m ²				
12	Dx	24,159	1,145 m ²	1,145 m ²	1,501	2,147 m ³	55,714 m ³
13		25,660	1,145 m ²				
13	Sx	25,660	0,929 m ²	0,929 m ²	0,020	0,015 m ³	55,729 m ³
14		25,680	0,929 m ²				
13	Dx	25,660	1,145 m ²	1,145 m ²	0,020	0,029 m ³	55,758 m ³
14		25,680	1,145 m ²				
14	Sx	25,680	0,929 m ²	0,929 m ²	5,789	4,292 m ³	60,050 m ³
15		31,469	0,929 m ²				
14	Dx	25,680	1,145 m ²	1,145 m ²	5,789	8,278 m ³	68,328 m ³
15		31,469	1,145 m ²				
15	Sx	31,469	0,929 m ²	0,929 m ²	2,406	1,783 m ³	70,111 m ³
16		33,875	0,929 m ²				
15	Dx	31,469	1,145 m ²	1,145 m ²	2,406	3,441 m ³	73,552 m ³
16		33,875	1,145 m ²				
16	Sx	33,875	0,929 m ²	0,929 m ²	2,051	1,521 m ³	75,073 m ³
17		35,926	0,929 m ²				
16	Dx	33,875	1,145 m ²	1,145 m ²	2,051	2,933 m ³	78,006 m ³
17		35,926	1,145 m ²				
17	Sx	35,926	0,929 m ²	0,929 m ²	0,202	0,150 m ³	78,156 m ³
18		36,128	0,929 m ²				
17	Dx	35,926	1,145 m ²	1,145 m ²	0,202	0,289 m ³	78,445 m ³
18		36,128	1,145 m ²				
18	Sx	36,128	0,929 m ²	0,929 m ²	2,257	1,673 m ³	80,118 m ³
19		38,385	0,929 m ²				
18	Dx	36,128	1,145 m ²	1,145 m ²	2,257	3,227 m ³	83,345 m ³
19		38,385	1,145 m ²				
19	Sx	38,385	0,929 m ²	0,929 m ²	10,621	7,874 m ³	91,219 m ³
20		49,006	0,929 m ²				
19	Dx	38,385	1,145 m ²	1,145 m ²	10,621	15,187 m ³	106,406 m ³
20		49,006	1,145 m ²				

STRATO DI FONDAZIONE (FONDA)

Sezione	Distanza progressiva	Area	Area Media	Distanza parziale	Volume	
					Parziale	Totale
20	49,006	0,929 m ²	0,929 m ²	3,765	2,791 m ³	109,197 m ³
21	52,771	0,929 m ²	0,929 m ²			
20	49,006	1,145 m ²	1,145 m ²	3,765	5,384 m ³	114,581 m ³
21	52,771	1,145 m ²	1,145 m ²			
21	52,771	0,929 m ²	0,929 m ²	1,421	1,053 m ³	115,634 m ³
22	54,192	0,929 m ²	0,929 m ²			
21	52,771	1,145 m ²	1,145 m ²	1,421	2,032 m ³	117,666 m ³
22	54,192	1,145 m ²	1,145 m ²			
22	54,192	0,929 m ²	0,929 m ²	5,808	4,306 m ³	121,972 m ³
23	60,000	0,929 m ²	0,929 m ²			
22	54,192	1,145 m ²	1,145 m ²	5,808	8,306 m ³	130,278 m ³
23	60,000	1,145 m ²	1,145 m ²			
23	60,000	0,929 m ²	0,929 m ²	3,395	2,517 m ³	132,795 m ³
24	63,395	0,929 m ²	0,929 m ²			
23	60,000	1,145 m ²	1,145 m ²	3,395	4,855 m ³	137,650 m ³
24	63,395	1,145 m ²	1,145 m ²			
24	63,395	0,929 m ²	0,929 m ²	2,599	1,927 m ³	139,577 m ³
25	65,994	0,929 m ²	0,929 m ²			
24	63,395	1,145 m ²	1,145 m ²	2,599	3,717 m ³	143,294 m ³
25	65,994	1,145 m ²	1,145 m ²			
25	65,994	0,929 m ²	0,929 m ²	5,108	3,787 m ³	147,081 m ³
26	71,102	0,929 m ²	0,929 m ²			
25	65,994	1,145 m ²	1,145 m ²	5,108	7,304 m ³	154,385 m ³
26	71,102	1,145 m ²	1,145 m ²			
26	71,102	0,929 m ²	0,929 m ²	1,155	0,856 m ³	155,241 m ³
27	72,257	0,929 m ²	0,929 m ²			
26	71,102	1,145 m ²	1,145 m ²	1,155	1,651 m ³	156,892 m ³
27	72,257	1,145 m ²	1,145 m ²			

					RILEVATO (RI)		
Sezione	Distanza progressiva	Area	Area Media	Distanza parziale	Volume		
					Parziale	Totale	
1	Sx	0,000	30,561 m ²	30,514 m ²	1,001	5,842 m ³	5,842 m ³
2		1,001	30,468 m ²				
1	Dx	0,000	6,189 m ²	6,052 m ²	1,001	7,626 m ³	13,468 m ³
2		1,001	5,915 m ²				
2	Sx	1,001	30,468 m ²	30,383 m ²	1,742	9,973 m ³	23,441 m ³
3		2,743	30,298 m ²				
2	Dx	1,001	5,915 m ²	5,676 m ²	1,742	12,398 m ³	35,839 m ³
3		2,743	5,438 m ²				
3	Sx	2,743	30,298 m ²	30,160 m ²	2,314	12,832 m ³	48,671 m ³
4		5,057	30,021 m ²				
3	Dx	2,743	5,438 m ²	5,181 m ²	2,314	14,967 m ³	63,638 m ³
4		5,057	4,924 m ²				
4	Sx	5,057	30,021 m ²	29,950 m ²	3,423	18,378 m ³	82,016 m ³
5		8,480	29,879 m ²				
4	Dx	5,057	4,924 m ²	4,467 m ²	3,423	18,973 m ³	100,989 m ³
5		8,480	4,010 m ²				
5	Sx	8,480	29,879 m ²	29,897 m ²	0,911	4,847 m ³	105,836 m ³
6		9,392	29,916 m ²				
5	Dx	8,480	4,010 m ²	3,938 m ²	0,911	4,428 m ³	110,264 m ³
6		9,392	3,865 m ²				
6	Sx	9,392	29,916 m ²	29,953 m ²	1,057	5,678 m ³	115,942 m ³
7		10,448	29,991 m ²				
6	Dx	9,392	3,865 m ²	3,845 m ²	1,057	5,010 m ³	120,952 m ³
7		10,448	3,824 m ²				
7	Sx	10,448	29,991 m ²	30,290 m ²	4,034	22,833 m ³	143,785 m ³
8		14,482	30,589 m ²				
7	Dx	10,448	3,824 m ²	4,810 m ²	4,034	24,168 m ³	167,953 m ³
8		14,482	5,796 m ²				
8	Sx	14,482	30,589 m ²	30,996 m ²	3,582	22,423 m ³	190,376 m ³
9		18,064	31,403 m ²				
8	Dx	14,482	5,796 m ²	6,549 m ²	3,582	29,632 m ³	220,008 m ³
9		18,064	7,303 m ²				
9	Sx	18,064	31,403 m ²	31,424 m ²	0,282	1,869 m ³	221,877 m ³
10		18,346	31,446 m ²				
9	Dx	18,064	7,303 m ²	7,362 m ²	0,282	2,632 m ³	224,509 m ³
10		18,346	7,422 m ²				
10	Sx	18,346	31,446 m ²	31,472 m ²	0,352	2,347 m ³	226,856 m ³
11		18,698	31,498 m ²				

					RILEVATO (RI)		
Sezione	Distanza progressiva	Area	Area Media	Distanza parziale	Volume		
					Parziale	Totale	
10	Dx	18,346	7,422 m ²	7,495 m ²	0,352	3,347 m ³	230,203 m ³
11		18,698	7,568 m ²				
11	Sx	18,698	31,498 m ²	31,949 m ²	5,461	38,688 m ³	268,891 m ³
12		24,159	32,401 m ²				
11	Dx	18,698	7,568 m ²	8,505 m ²	5,461	59,499 m ³	328,390 m ³
12		24,159	9,443 m ²				
12	Sx	24,159	32,401 m ²	32,525 m ²	1,501	11,411 m ³	339,801 m ³
13		25,660	32,649 m ²				
12	Dx	24,159	9,443 m ²	9,849 m ²	1,501	19,193 m ³	358,994 m ³
13		25,660	10,255 m ²				
13	Sx	25,660	32,649 m ²	32,650 m ²	0,020	0,154 m ³	359,148 m ³
14		25,680	32,652 m ²				
13	Dx	25,660	10,255 m ²	10,261 m ²	0,020	0,267 m ³	359,415 m ³
14		25,680	10,266 m ²				
14	Sx	25,680	32,652 m ²	33,066 m ²	5,789	46,914 m ³	406,329 m ³
15		31,469	33,479 m ²				
14	Dx	25,680	10,266 m ²	11,177 m ²	5,789	84,464 m ³	490,793 m ³
15		31,469	12,087 m ²				
15	Sx	31,469	33,479 m ²	33,605 m ²	2,406	20,713 m ³	511,506 m ³
16		33,875	33,732 m ²				
15	Dx	31,469	12,087 m ²	12,564 m ²	2,406	39,649 m ³	551,155 m ³
16		33,875	13,041 m ²				
16	Sx	33,875	33,732 m ²	33,851 m ²	2,051	18,106 m ³	569,261 m ³
17		35,926	33,969 m ²				
16	Dx	33,875	13,041 m ²	13,188 m ²	2,051	35,636 m ³	604,897 m ³
17		35,926	13,335 m ²				
17	Sx	35,926	33,969 m ²	33,980 m ²	0,202	1,806 m ³	606,703 m ³
18		36,128	33,991 m ²				
17	Dx	35,926	13,335 m ²	13,364 m ²	0,202	3,560 m ³	610,263 m ³
18		36,128	13,393 m ²				
18	Sx	36,128	33,991 m ²	34,001 m ²	2,257	20,243 m ³	630,506 m ³
19		38,385	34,011 m ²				
18	Dx	36,128	13,393 m ²	13,399 m ²	2,257	39,901 m ³	670,407 m ³
19		38,385	13,404 m ²				
19	Sx	38,385	34,011 m ²	33,877 m ²	10,621	94,240 m ³	764,647 m ³
20		49,006	33,743 m ²				
19	Dx	38,385	13,404 m ²	13,378 m ²	10,621	187,711 m ³	952,358 m ³
20		49,006	13,352 m ²				

					RILEVATO (RI)	
Sezione	Distanza progressiva	Area	Area Media	Distanza parziale	Volume	
					Parziale	Totale
20	Sx	49,006	33,743 m ²			
21		52,771	33,377 m ²			
20	Dx	49,006	13,352 m ²			
21		52,771	13,298 m ²			
21	Sx	52,771	33,377 m ²			
22		54,192	33,239 m ²			
21	Dx	52,771	13,298 m ²			
22		54,192	13,071 m ²			
22	Sx	54,192	33,239 m ²			
23		60,000	32,529 m ²			
22	Dx	54,192	13,071 m ²			
23		60,000	11,262 m ²			
23	Sx	60,000	32,529 m ²			
24		63,395	31,927 m ²			
23	Dx	60,000	11,262 m ²			
24		63,395	9,067 m ²			
24	Sx	63,395	31,927 m ²			
25		65,994	31,440 m ²			
24	Dx	63,395	9,067 m ²			
25		65,994	8,526 m ²			
25	Sx	65,994	31,440 m ²			
26		71,102	30,686 m ²			
25	Dx	65,994	8,526 m ²			
26		71,102	6,491 m ²			
26	Sx	71,102	30,686 m ²			
27		72,257	30,561 m ²			
26	Dx	71,102	6,491 m ²			
27		72,257	6,189 m ²			

					SCOTICO (SCOT)		
Sezione	Distanza progressiva	Sviluppo	Sviluppo Media	Distanza parziale	Area		
					Parziale	Totale	
1	Sx	0,000	16,479 m	16,479 m	1,001	4,678 m ²	4,678 m ²
2		1,001	16,479 m				
1	Dx	0,000	6,504 m	6,465 m	1,001	8,290 m ²	12,968 m ²
2		1,001	6,426 m				
2	Sx	1,001	16,479 m	16,479 m	1,742	8,134 m ²	21,102 m ²
3		2,743	16,479 m				
2	Dx	1,001	6,426 m	6,367 m	1,742	14,162 m ²	35,264 m ²
3		2,743	6,309 m				
3	Sx	2,743	16,479 m	16,479 m	2,314	10,813 m ²	46,077 m ²
4		5,057	16,479 m				
3	Dx	2,743	6,309 m	6,251 m	2,314	18,392 m ²	64,469 m ²
4		5,057	6,192 m				
4	Sx	5,057	16,479 m	16,479 m	3,423	16,008 m ²	80,477 m ²
5		8,480	16,479 m				
4	Dx	5,057	6,192 m	6,109 m	3,423	26,458 m ²	106,935 m ²
5		8,480	6,025 m				
5	Sx	8,480	16,479 m	16,479 m	0,911	4,254 m ²	111,189 m ²
6		9,392	16,479 m				
5	Dx	8,480	6,025 m	6,011 m	0,911	6,906 m ²	118,095 m ²
6		9,392	5,998 m				
6	Sx	9,392	16,479 m	16,479 m	1,057	4,935 m ²	123,030 m ²
7		10,448	16,479 m				
6	Dx	9,392	5,998 m	6,010 m	1,057	8,012 m ²	131,042 m ²
7		10,448	6,021 m				
7	Sx	10,448	16,479 m	16,479 m	4,034	18,851 m ²	149,893 m ²
8		14,482	16,479 m				
7	Dx	10,448	6,021 m	6,220 m	4,034	31,878 m ²	181,771 m ²
8		14,482	6,419 m				
8	Sx	14,482	16,479 m	16,479 m	3,582	16,738 m ²	198,509 m ²
9		18,064	16,479 m				
8	Dx	14,482	6,419 m	6,539 m	3,582	30,080 m ²	228,589 m ²
9		18,064	6,659 m				
9	Sx	18,064	16,479 m	16,479 m	0,282	1,318 m ²	229,907 m ²
10		18,346	16,479 m				
9	Dx	18,064	6,659 m	6,669 m	0,282	2,426 m ²	232,333 m ²
10		18,346	6,680 m				
10	Sx	18,346	16,479 m	16,479 m	0,352	1,644 m ²	233,977 m ²
11		18,698	16,479 m				

SCOTICO (SCOT)

Sezione	Distanza progressiva	Sviluppo	Sviluppo Media	Distanza parziale	Area	
					Parziale	Totale
10	18,346	6,680 m				
Dx			6,694 m	0,352	3,042 m ²	237,019 m ²
11	18,698	6,708 m				
11	18,698	16,479 m	16,479 m	5,461	25,499 m ²	262,518 m ²
12	24,159	16,479 m				
11	18,698	6,708 m	7,041 m	5,461	50,232 m ²	312,750 m ²
12	24,159	7,374 m				
12	24,159	16,479 m	16,479 m	1,501	7,009 m ²	319,759 m ²
13	25,660	16,479 m				
12	24,159	7,374 m	7,473 m	1,501	14,865 m ²	334,624 m ²
13	25,660	7,571 m				
13	25,660	16,479 m	16,479 m	0,020	0,094 m ²	334,718 m ²
14	25,680	16,479 m				
13	25,660	7,571 m	7,573 m	0,020	0,201 m ²	334,919 m ²
14	25,680	7,574 m				
14	25,680	16,479 m	16,479 m	5,789	27,052 m ²	361,971 m ²
15	31,469	16,479 m				
14	25,680	7,574 m	7,760 m	5,789	60,094 m ²	422,065 m ²
15	31,469	7,947 m				
15	31,469	16,479 m	16,479 m	2,406	11,252 m ²	433,317 m ²
16	33,875	16,479 m				
15	31,469	7,947 m	7,976 m	2,406	25,851 m ²	459,168 m ²
16	33,875	8,005 m				
16	33,875	16,479 m	16,479 m	2,051	9,592 m ²	468,760 m ²
17	35,926	16,479 m				
16	33,875	8,005 m	8,060 m	2,051	22,329 m ²	491,089 m ²
17	35,926	8,114 m				
17	35,926	16,479 m	16,479 m	0,202	0,945 m ²	492,034 m ²
18	36,128	16,479 m				
17	35,926	8,114 m	8,122 m	0,202	2,221 m ²	494,255 m ²
18	36,128	8,130 m				
18	36,128	16,479 m	16,479 m	2,257	10,553 m ²	504,808 m ²
19	38,385	16,479 m				
18	36,128	8,130 m	8,150 m	2,257	24,912 m ²	529,720 m ²
19	38,385	8,170 m				
19	38,385	16,479 m	16,479 m	10,621	49,585 m ²	579,305 m ²
20	49,006	16,479 m				
19	38,385	8,170 m	8,165 m	10,621	117,512 m ²	696,817 m ²
20	49,006	8,160 m				

					SCOTICO (SCOT)	
Sezione	Distanza progressiva	Sviluppo	Sviluppo Media	Distanza parziale	Area	
					Parziale	Totale
20		49,006	16,479 m			
Sx			16,479 m	3,765	17,594 m ²	714,411 m ²
21		52,771	16,479 m			
20	Dx	49,006	8,160 m	8,169 m	3,765	41,682 m ²
21		52,771	8,177 m			756,093 m ²
21	Sx	52,771	16,479 m	16,479 m	1,421	6,645 m ²
22		54,192	16,479 m			762,738 m ²
21	Dx	52,771	8,177 m	8,151 m	1,421	15,689 m ²
22		54,192	8,126 m			778,427 m ²
22	Sx	54,192	16,479 m	16,479 m	5,808	27,140 m ²
23		60,000	16,479 m			805,567 m ²
22	Dx	54,192	8,126 m	7,916 m	5,808	61,802 m ²
23		60,000	7,706 m			867,369 m ²
23	Sx	60,000	16,479 m	16,479 m	3,395	15,865 m ²
24		63,395	16,479 m			883,234 m ²
23	Dx	60,000	7,706 m	7,449 m	3,395	33,481 m ²
24		63,395	7,191 m			916,715 m ²
24	Sx	63,395	16,479 m	16,479 m	2,599	12,145 m ²
25		65,994	16,479 m			928,860 m ²
24	Dx	63,395	7,191 m	7,134 m	2,599	24,290 m ²
25		65,994	7,076 m			953,150 m ²
25	Sx	65,994	16,479 m	16,479 m	5,108	23,833 m ²
26		71,102	16,479 m			976,983 m ²
25	Dx	65,994	7,076 m	6,845 m	5,108	45,363 m ²
26		71,102	6,614 m			1022,346 m ²
26	Sx	71,102	16,479 m	16,479 m	1,155	5,389 m ²
27		72,257	16,479 m			1027,735 m ²
26	Dx	71,102	6,614 m	6,559 m	1,155	9,735 m ²
27		72,257	6,504 m			1037,470 m ²

					TERRENO VEGETALE (TVEG)	
Sezione	Distanza progressiva	Sviluppo	Sviluppo Media	Distanza parziale	Area	
					Parziale	Totale
1	0,000	15,766 m	15,723 m	1,001	6,079 m ²	6,079 m ²
2	1,001	15,679 m	15,610 m	1,742	10,265 m ²	16,344 m ²
2	1,001	15,679 m	15,610 m	1,742	10,265 m ²	16,344 m ²
3	2,743	15,540 m	15,462 m	2,314	13,094 m ²	29,438 m ²
3	2,743	15,540 m	15,462 m	2,314	13,094 m ²	29,438 m ²
4	5,057	15,383 m	15,293 m	3,423	18,457 m ²	47,895 m ²
4	5,057	15,383 m	15,293 m	3,423	18,457 m ²	47,895 m ²
5	8,480	15,202 m	15,185 m	0,911	4,759 m ²	52,654 m ²
5	8,480	15,202 m	15,185 m	0,911	4,759 m ²	52,654 m ²
6	9,392	15,168 m	15,193 m	1,057	5,535 m ²	58,189 m ²
6	9,392	15,168 m	15,193 m	1,057	5,535 m ²	58,189 m ²
7	10,448	15,218 m	15,438 m	4,034	22,669 m ²	80,858 m ²
7	10,448	15,218 m	15,438 m	4,034	22,669 m ²	80,858 m ²
8	14,482	15,658 m	15,780 m	3,582	22,083 m ²	102,941 m ²
8	14,482	15,658 m	15,780 m	3,582	22,083 m ²	102,941 m ²
9	18,064	15,902 m	15,915 m	0,282	1,800 m ²	104,741 m ²
9	18,064	15,902 m	15,915 m	0,282	1,800 m ²	104,741 m ²
10	18,346	15,928 m	15,945 m	0,352	2,264 m ²	107,005 m ²
10	18,346	15,928 m	15,945 m	0,352	2,264 m ²	107,005 m ²
11	18,698	15,962 m	16,386 m	5,461	39,001 m ²	146,006 m ²
11	18,698	15,962 m	16,386 m	5,461	39,001 m ²	146,006 m ²
12	24,159	16,809 m	16,930 m	1,501	12,090 m ²	158,096 m ²
12	24,159	16,809 m	16,930 m	1,501	12,090 m ²	158,096 m ²
13	25,660	17,051 m	17,052 m	0,020	0,165 m ²	158,261 m ²
13	25,660	17,051 m	17,052 m	0,020	0,165 m ²	158,261 m ²
14	25,680	17,054 m	17,273 m	5,789	49,990 m ²	208,251 m ²
14	25,680	17,054 m	17,273 m	5,789	49,990 m ²	208,251 m ²
15	31,469	17,491 m	17,451 m	2,406	21,519 m ²	229,770 m ²
15	31,469	17,491 m	17,451 m	2,406	21,519 m ²	229,770 m ²
16	33,875	17,412 m	17,577 m	2,051	18,788 m ²	248,558 m ²
16	33,875	17,412 m	17,577 m	2,051	18,788 m ²	248,558 m ²
17	35,926	17,743 m	17,753 m	0,202	1,912 m ²	250,470 m ²
17	35,926	17,743 m	17,753 m	0,202	1,912 m ²	250,470 m ²
18	36,128	17,763 m	17,792 m	2,257	21,518 m ²	271,988 m ²
18	36,128	17,763 m	17,792 m	2,257	21,518 m ²	271,988 m ²
19	38,385	17,821 m	17,815 m	10,621	101,698 m ²	373,686 m ²
19	38,385	17,821 m	17,815 m	10,621	101,698 m ²	373,686 m ²
20	49,006	17,810 m				

					TERRENO VEGETALE (TVEG)	
Sezione	Distanza progressiva	Sviluppo	Sviluppo Media	Distanza parziale	Area	
					Parziale	Totale
20	49,006	17,810 m	17,815 m	3,765	36,047 m ²	409,733 m ²
21	52,771	17,820 m	17,788 m	1,421	13,538 m ²	423,271 m ²
21	52,771	17,820 m	17,491 m	5,808	52,332 m ²	475,603 m ²
22	54,192	17,756 m	16,922 m	3,395	27,292 m ²	502,895 m ²
22	54,192	17,756 m	16,544 m	2,599	19,260 m ²	522,155 m ²
23	60,000	17,227 m	16,194 m	5,108	34,893 m ²	557,048 m ²
23	60,000	17,227 m	15,841 m	1,155	7,234 m ²	564,282 m ²
24	63,395	16,618 m				
24	63,395	16,618 m				
25	65,994	16,471 m				
25	65,994	16,471 m				
26	71,102	15,917 m				
26	71,102	15,917 m				
27	72,257	15,766 m				

					STRATO DI USURA (USURA)		
Sezione	Distanza progressiva	Sviluppo	Sviluppo Media	Distanza parziale	Area		
					Parziale	Totale	
1	Sx	0,000	4,000 m	4,000 m	1,001	3,308 m ²	3,308 m ²
2		1,001	4,000 m				
1	Dx	0,000	4,000 m	4,000 m	1,001	4,700 m ²	8,008 m ²
2		1,001	4,000 m				
2	Sx	1,001	4,000 m	4,000 m	1,742	5,756 m ²	13,764 m ²
3		2,743	4,000 m				
2	Dx	1,001	4,000 m	4,000 m	1,742	8,180 m ²	21,944 m ²
3		2,743	4,000 m				
3	Sx	2,743	4,000 m	4,000 m	2,314	7,646 m ²	29,590 m ²
4		5,057	4,000 m				
3	Dx	2,743	4,000 m	4,000 m	2,314	10,866 m ²	40,456 m ²
4		5,057	4,000 m				
4	Sx	5,057	4,000 m	4,000 m	3,423	11,311 m ²	51,767 m ²
5		8,480	4,000 m				
4	Dx	5,057	4,000 m	4,000 m	3,423	16,073 m ²	67,840 m ²
5		8,480	4,000 m				
5	Sx	8,480	4,000 m	4,000 m	0,911	3,010 m ²	70,850 m ²
6		9,392	4,000 m				
5	Dx	8,480	4,000 m	4,000 m	0,911	4,278 m ²	75,128 m ²
6		9,392	4,000 m				
6	Sx	9,392	4,000 m	4,000 m	1,057	3,493 m ²	78,621 m ²
7		10,448	4,000 m				
6	Dx	9,392	4,000 m	4,000 m	1,057	4,963 m ²	83,584 m ²
7		10,448	4,000 m				
7	Sx	10,448	4,000 m	4,000 m	4,034	13,330 m ²	96,914 m ²
8		14,482	4,000 m				
7	Dx	10,448	4,000 m	4,000 m	4,034	18,942 m ²	115,856 m ²
8		14,482	4,000 m				
8	Sx	14,482	4,000 m	4,000 m	3,582	11,836 m ²	127,692 m ²
9		18,064	4,000 m				
8	Dx	14,482	4,000 m	4,000 m	3,582	16,820 m ²	144,512 m ²
9		18,064	4,000 m				
9	Sx	18,064	4,000 m	4,000 m	0,282	0,932 m ²	145,444 m ²
10		18,346	4,000 m				
9	Dx	18,064	4,000 m	4,000 m	0,282	1,324 m ²	146,768 m ²
10		18,346	4,000 m				
10	Sx	18,346	4,000 m	4,000 m	0,352	1,163 m ²	147,931 m ²
11		18,698	4,000 m				

STRATO DI USURA (USURA)

Sezione	Distanza progressiva	Sviluppo	Sviluppo Media	Distanza parziale	Area	
					Parziale	Totale
10	18,346	4,000 m				
Dx			4,000 m	0,352	1,653 m ²	149,584 m ²
11	18,698	4,000 m				
11	18,698	4,000 m	4,000 m	5,461	18,045 m ²	167,629 m ²
12	24,159	4,000 m				
11	18,698	4,000 m	4,000 m	5,461	25,643 m ²	193,272 m ²
12	24,159	4,000 m				
12	24,159	4,000 m	4,000 m	1,501	4,960 m ²	198,232 m ²
13	25,660	4,000 m				
12	24,159	4,000 m	4,000 m	1,501	7,048 m ²	205,280 m ²
13	25,660	4,000 m				
13	25,660	4,000 m	4,000 m	0,020	0,066 m ²	205,346 m ²
14	25,680	4,000 m				
13	25,660	4,000 m	4,000 m	0,020	0,094 m ²	205,440 m ²
14	25,680	4,000 m				
14	25,680	4,000 m	4,000 m	5,789	19,129 m ²	224,569 m ²
15	31,469	4,000 m				
14	25,680	4,000 m	4,000 m	5,789	27,183 m ²	251,752 m ²
15	31,469	4,000 m				
15	31,469	4,000 m	4,000 m	2,406	7,950 m ²	259,702 m ²
16	33,875	4,000 m				
15	31,469	4,000 m	4,000 m	2,406	11,298 m ²	271,000 m ²
16	33,875	4,000 m				
16	33,875	4,000 m	4,000 m	2,051	6,777 m ²	277,777 m ²
17	35,926	4,000 m				
16	33,875	4,000 m	4,000 m	2,051	9,631 m ²	287,408 m ²
17	35,926	4,000 m				
17	35,926	4,000 m	4,000 m	0,202	0,667 m ²	288,075 m ²
18	36,128	4,000 m				
17	35,926	4,000 m	4,000 m	0,202	0,949 m ²	289,024 m ²
18	36,128	4,000 m				
18	36,128	4,000 m	4,000 m	2,257	7,458 m ²	296,482 m ²
19	38,385	4,000 m				
18	36,128	4,000 m	4,000 m	2,257	10,598 m ²	307,080 m ²
19	38,385	4,000 m				
19	38,385	4,000 m	4,000 m	10,621	35,095 m ²	342,175 m ²
20	49,006	4,000 m				
19	38,385	4,000 m	4,000 m	10,621	49,873 m ²	392,048 m ²
20	49,006	4,000 m				

					STRATO DI USURA (USURA)	
Sezione	Distanza progressiva	Sviluppo	Sviluppo Media	Distanza parziale	Area	
					Parziale	Totale
20		49,006	4,000 m			
Sx			4,000 m	3,765	12,441 m ²	404,489 m ²
21		52,771	4,000 m			
20		49,006	4,000 m			
Dx			4,000 m	3,765	17,679 m ²	422,168 m ²
21		52,771	4,000 m			
21		52,771	4,000 m			
Sx			4,000 m	1,421	4,695 m ²	426,863 m ²
22		54,192	4,000 m			
21		52,771	4,000 m			
Dx			4,000 m	1,421	6,673 m ²	433,536 m ²
22		54,192	4,000 m			
22		54,192	4,000 m			
Sx			4,000 m	5,808	19,192 m ²	452,728 m ²
23		60,000	4,000 m			
22		54,192	4,000 m			
Dx			4,000 m	5,808	27,272 m ²	480,000 m ²
23		60,000	4,000 m			
23		60,000	4,000 m			
Sx			4,000 m	3,395	11,218 m ²	491,218 m ²
24		63,395	4,000 m			
23		60,000	4,000 m			
Dx			4,000 m	3,395	15,942 m ²	507,160 m ²
24		63,395	4,000 m			
24		63,395	4,000 m			
Sx			4,000 m	2,599	8,588 m ²	515,748 m ²
25		65,994	4,000 m			
24		63,395	4,000 m			
Dx			4,000 m	2,599	12,204 m ²	527,952 m ²
25		65,994	4,000 m			
25		65,994	4,000 m			
Sx			4,000 m	5,108	16,879 m ²	544,831 m ²
26		71,102	4,000 m			
25		65,994	4,000 m			
Dx			4,000 m	5,108	23,985 m ²	568,816 m ²
26		71,102	4,000 m			
26		71,102	4,000 m			
Sx			4,000 m	1,155	3,817 m ²	572,633 m ²
27		72,257	4,000 m			
26		71,102	4,000 m			
Dx			4,000 m	1,155	5,423 m ²	578,056 m ²
27		72,257	4,000 m			

USCITA NORD

Codice	Descrizione	Quantità
BON	BONIFICA	53,276 m ³
FONDA	STRATO DI FONDAZIONE	95,576 m ³
RI	RILEVATO	106,439 m ³
ST	STERRO	82,190 m ³
TVEG	TERRENO VEGETALE	273,459 m ²
USURA	STRATO DI USURA	305,763 m ²

COMPUTO DELLE QUANTITA'

Pagina: 1 / 6

BONIFICA (BON)

Sezione	Distanza progressiva	Area	Area Media	Distanza parziale	Volume	
					Parziale	Totale
1	0,000	0,000 m ²	1,956 m ²	10,000	19,556 m ³	19,556 m ³
2	10,000	3,911 m ²	3,794 m ²	7,842	29,753 m ³	49,309 m ³
2	10,000	3,911 m ²	1,838 m ²	2,158	3,967 m ³	53,276 m ³
3	17,842	3,677 m ²				
3	17,842	3,677 m ²				
4	20,000	0,000 m ²				

COMPUTO DELLE QUANTITA'

Pagina: 2 / 6

STRATO DI FONDAZIONE (FONDA)

Sezione	Distanza progressiva	Area	Area Media	Distanza parziale	Volume	
					Parziale	Totale
1	0,000	4,144 m ²	3,419 m ²	10,000	34,195 m ³	34,195 m ³
2	10,000	2,695 m ²	2,511 m ²	7,842	19,690 m ³	53,885 m ³
2	10,000	2,695 m ²	1,594 m ²	2,158	3,440 m ³	57,325 m ³
3	17,842	2,326 m ²	0,863 m ²	10,000	8,626 m ³	65,951 m ³
3	17,842	2,326 m ²	0,862 m ²	10,000	8,624 m ³	74,575 m ³
4	20,000	0,863 m ²	0,862 m ²	10,000	8,624 m ³	74,575 m ³
4	20,000	0,863 m ²	0,850 m ²	10,000	8,499 m ³	83,074 m ³
5	30,000	0,862 m ²	0,795 m ²	10,000	7,952 m ³	91,026 m ³
5	30,000	0,862 m ²	0,749 m ²	4,332	3,243 m ³	94,269 m ³
6	40,000	0,862 m ²	0,744 m ²	3,510	1,307 m ³	95,576 m ³
6	40,000	0,862 m ²	0,372 m ²	3,510	1,307 m ³	95,576 m ³
7	50,000	0,838 m ²				
7	50,000	0,838 m ²				
8	60,000	0,753 m ²				
8	60,000	0,753 m ²				
9	64,332	0,744 m ²				
9	64,332	0,744 m ²				
10	67,842	0,000 m ²				

					RILEVATO (RI)	
Sezione	Distanza progressiva	Area	Area Media	Distanza parziale	Volume	
					Parziale	Totale
1	0,000	0,000 m ²	2,166 m ²	10,000	21,660 m ³	21,660 m ³
2	10,000	4,332 m ²	4,593 m ²	7,842	36,017 m ³	57,677 m ³
2	10,000	4,332 m ²	2,427 m ²	2,158	5,237 m ³	62,914 m ³
3	17,842	4,854 m ²	0,067 m ²	10,000	0,673 m ³	63,587 m ³
3	17,842	4,854 m ²	0,464 m ²	10,000	4,636 m ³	68,223 m ³
4	20,000	0,000 m ²	0,793 m ²	10,000	9,907 m ³	78,130 m ³
4	20,000	0,000 m ²	0,991 m ²	10,000	9,907 m ³	78,130 m ³
5	30,000	0,135 m ²	1,189 m ²	10,000	15,557 m ³	93,687 m ³
5	30,000	0,135 m ²	1,556 m ²	10,000	15,557 m ³	93,687 m ³
6	40,000	0,793 m ²	2,056 m ²	4,332	8,909 m ³	102,596 m ³
6	40,000	0,793 m ²	1,095 m ²	3,510	3,843 m ³	106,439 m ³
7	50,000	1,189 m ²				
7	50,000	1,189 m ²				
8	60,000	1,923 m ²				
8	60,000	1,923 m ²				
9	64,332	2,190 m ²				
9	64,332	2,190 m ²				
10	67,842	0,000 m ²				

COMPUTO DELLE QUANTITA'

Pagina: 4 / 6

					STERRO (ST)	
Sezione	Distanza progressiva	Area	Area Media	Distanza parziale	Volume	
					Parziale	Totale
1	0,000	8,174 m ²	5,514 m ²	10,000	55,144 m ³	55,144 m ³
2	10,000	2,855 m ²	2,137 m ²	7,842	16,757 m ³	71,901 m ³
2	10,000	2,855 m ²	1,151 m ²	2,158	2,483 m ³	74,384 m ³
3	17,842	1,419 m ²	0,505 m ²	10,000	5,054 m ³	79,438 m ³
3	17,842	1,419 m ²	0,142 m ²	10,000	1,417 m ³	80,855 m ³
4	20,000	0,883 m ²	0,106 m ²	10,000	1,056 m ³	81,911 m ³
4	20,000	0,883 m ²	0,028 m ²	10,000	0,279 m ³	82,190 m ³
5	30,000	0,128 m ²				
5	30,000	0,128 m ²				
6	40,000	0,155 m ²				
6	40,000	0,155 m ²				
7	50,000	0,056 m ²				
7	50,000	0,056 m ²				
8	60,000	0,000 m ²				

TERRENO VEGETALE (TVEG)

Sezione	Distanza progressiva	Sviluppo	Sviluppo Media	Distanza parziale	Area	
					Parziale	Totale
1	0,000	3,591 m				
			3,401 m	10,000	34,015 m ²	34,015 m ²
2	10,000	3,212 m				
2	10,000	3,212 m	3,168 m	7,842	24,847 m ²	58,862 m ²
3	17,842	3,125 m				
3	17,842	3,125 m	3,047 m	2,158	6,574 m ²	65,436 m ²
4	20,000	2,968 m				
4	20,000	2,968 m	3,213 m	10,000	32,125 m ²	97,561 m ²
5	30,000	3,457 m				
5	30,000	3,457 m	3,837 m	10,000	38,370 m ²	135,931 m ²
6	40,000	4,217 m				
6	40,000	4,217 m	4,119 m	10,000	41,187 m ²	177,118 m ²
7	50,000	4,021 m				
7	50,000	4,021 m	4,620 m	10,000	46,204 m ²	223,322 m ²
8	60,000	5,220 m				
8	60,000	5,220 m	5,422 m	4,332	23,490 m ²	246,812 m ²
9	64,332	5,625 m				
9	64,332	5,625 m	7,592 m	3,510	26,647 m ²	273,459 m ²
10	67,842	9,559 m				

STRATO DI USURA (USURA)

Sezione	Distanza progressiva	Sviluppo	Sviluppo Media	Distanza parziale	Area	
					Parziale	Totale
1	0,000	17,656 m	14,411 m	10,000	144,109 m ²	144,109 m ²
2	10,000	11,166 m	10,242 m	7,842	80,320 m ²	224,429 m ²
2	10,000	11,166 m	5,660 m	2,158	12,216 m ²	236,645 m ²
3	17,842	9,319 m	2,001 m	10,000	20,012 m ²	256,657 m ²
3	17,842	9,319 m	2,000 m	10,000	20,000 m ²	276,657 m ²
4	20,000	2,002 m	1,955 m	10,000	19,553 m ²	296,210 m ²
4	20,000	2,002 m	0,955 m	10,000	9,553 m ²	305,763 m ²
5	30,000	2,000 m				
5	30,000	2,000 m				
6	40,000	2,000 m				
6	40,000	2,000 m				
7	50,000	1,911 m				
7	50,000	1,911 m				
8	60,000	0,000 m				

V12

Adeguamento Svincolo Badde Salighes al km 155+000

CORSIA B

RIEPILOGO QUANTITA'

Pagina: 1 / 1

Codice	Descrizione	Quantità
FONDA	STRATO DI FONDAZIONE	416,774 m ³
GRAD	SCAVO A GRADONI	2906,504 m ²
RI	RILEVATO	656,738 m ³
SCOT	SCOTICO	587,103 m ²
ST	STERRO	1035,638 m ³
TVEG	TERRENO VEGETALE	644,047 m ²
USURA	STRATI LEGATI	1347,886 m ²

MISTO CEMENTATO

Misto cementato

1347,886-472,993= **874,893 m²**

STRATO DI FONDAZIONE (FONDA)

Sezione	Distanza progressiva	Area	Area Media	Distanza parziale	Volume	
					Parziale	Totale
1	0,000	1,390 m ²				
Sx			1,309 m ²	25,000	34,797 m ³	34,797 m ³
2	25,000	1,229 m ²				
1	0,000	0,590 m ²	0,590 m ²	25,000	14,331 m ³	49,128 m ³
Dx						
2	25,000	0,590 m ²				
2	25,000	1,229 m ²	1,229 m ²	15,835	20,610 m ³	69,738 m ³
Sx						
3	40,835	1,229 m ²				
2	25,000	0,590 m ²	0,590 m ²	15,835	9,077 m ³	78,815 m ³
Dx						
3	40,835	0,590 m ²				
3	40,835	1,229 m ²	1,214 m ²	9,165	11,780 m ³	90,595 m ³
Sx						
4	50,000	1,200 m ²				
3	40,835	0,590 m ²	0,575 m ²	9,165	5,124 m ³	95,719 m ³
Dx						
4	50,000	0,560 m ²				
4	50,000	1,200 m ²	0,988 m ²	25,000	25,870 m ³	121,589 m ³
Sx						
5	75,000	0,776 m ²				
4	50,000	0,560 m ²	0,541 m ²	25,000	13,170 m ³	134,759 m ³
Dx						
5	75,000	0,522 m ²				
5	75,000	0,776 m ²	0,729 m ²	6,671	5,032 m ³	139,791 m ³
Sx						
6	81,671	0,682 m ²				
5	75,000	0,522 m ²	0,506 m ²	6,671	3,297 m ³	143,088 m ³
Dx						
6	81,671	0,491 m ²				
6	81,671	1,173 m ²	1,172 m ²	18,329	21,490 m ³	164,578 m ³
7	100,000	1,172 m ²				
7	100,000	1,172 m ²	1,172 m ²	25,000	29,302 m ³	193,880 m ³
8	125,000	1,172 m ²				
8	125,000	1,172 m ²	1,172 m ²	25,000	29,309 m ³	223,189 m ³
9	150,000	1,172 m ²				
9	150,000	1,172 m ²	1,173 m ²	25,000	29,315 m ³	252,504 m ³
10	175,000	1,173 m ²				
10	175,000	1,173 m ²	1,173 m ²	25,000	29,322 m ³	281,826 m ³
11	200,000	1,173 m ²				
11	200,000	1,173 m ²	1,173 m ²	25,000	29,328 m ³	311,154 m ³
12	225,000	1,173 m ²				
12	225,000	1,173 m ²	1,173 m ²	25,000	29,335 m ³	340,489 m ³
13	250,000	1,174 m ²				
13	250,000	1,174 m ²	1,174 m ²	11,674	13,702 m ³	354,191 m ³
14	261,674	1,174 m ²				
14	261,674	1,174 m ²	1,114 m ²	13,326	14,840 m ³	369,031 m ³
15	275,000	1,053 m ²				

STRATO DI FONDAZIONE (FONDA)

Sezione	Distanza progressiva	Area	Area Media	Distanza parziale	Volume	
					Parziale	Totale
15	275,000	1,053 m ²	0,940 m ²	25,000	23,499 m ³	392,530 m ³
16	300,000	0,827 m ²				
16	300,000	0,827 m ²	0,713 m ²	25,000	17,827 m ³	410,357 m ³
17	325,000	0,600 m ²				
17	325,000	0,600 m ²	0,546 m ²	11,746	6,417 m ³	416,774 m ³
18	336,746	0,493 m ²				

SCAVO A GRADONI (GRAD)

Sezione	Distanza progressiva	Sviluppo	Sviluppo Media	Distanza parziale	Area	
					Parziale	Totale
1	0,000	8,590 m				
			9,280 m	25,000	233,603 m ²	233,603 m ²
2	25,000	9,969 m				
2	25,000	9,969 m	9,205 m	15,835	146,883 m ²	380,486 m ²
3	40,835	8,442 m				
3	40,835	8,442 m	4,221 m	9,165	38,975 m ²	419,461 m ²
4	50,000	0,000 m				
4	50,000	0,000 m	5,397 m	25,000	132,955 m ²	552,416 m ²
5	75,000	10,794 m				
5	75,000	10,794 m	10,092 m	6,671	65,509 m ²	617,925 m ²
6	81,671	9,390 m				
6	81,671	9,390 m	9,623 m	18,329	176,377 m ²	794,302 m ²
7	100,000	9,855 m				
7	100,000	9,855 m	14,377 m	25,000	359,425 m ²	1153,727 m ²
8	125,000	18,899 m				
8	125,000	18,899 m	14,460 m	25,000	361,508 m ²	1515,235 m ²
9	150,000	10,022 m				
9	150,000	10,022 m	9,479 m	25,000	236,964 m ²	1752,199 m ²
10	175,000	8,935 m				
10	175,000	8,935 m	8,794 m	25,000	219,840 m ²	1972,039 m ²
11	200,000	8,652 m				
11	200,000	8,652 m	8,494 m	25,000	212,346 m ²	2184,385 m ²
12	225,000	8,336 m				
12	225,000	8,336 m	7,215 m	25,000	180,382 m ²	2364,767 m ²
13	250,000	6,095 m				
13	250,000	6,095 m	7,119 m	11,674	83,103 m ²	2447,870 m ²
14	261,674	8,142 m				
14	261,674	8,142 m	7,544 m	13,326	100,525 m ²	2548,395 m ²
15	275,000	6,945 m				
15	275,000	6,945 m	6,574 m	25,000	164,347 m ²	2712,742 m ²
16	300,000	6,203 m				
16	300,000	6,203 m	5,581 m	25,000	139,536 m ²	2852,278 m ²
17	325,000	4,960 m				
17	325,000	4,960 m	4,617 m	11,746	54,226 m ²	2906,504 m ²
18	336,746	4,273 m				

					RILEVATO (RI)	
Sezione	Distanza progressiva	Area	Area Media	Distanza parziale	Volume	
					Parziale	Totale
1	0,000	0,053 m ²	0,827 m ²	25,000	19,357 m ³	19,357 m ³
2	25,000	1,601 m ²	0,817 m ²	15,835	12,114 m ³	31,471 m ³
2	25,000	1,601 m ²	0,817 m ²	15,835	12,114 m ³	31,471 m ³
3	40,835	0,033 m ²	0,147 m ²	9,165	1,540 m ³	33,011 m ³
3	40,835	0,000 m ²	0,147 m ²	9,165	1,540 m ³	33,011 m ³
4	50,000	0,294 m ²	0,016 m ²	9,165	0,172 m ³	33,183 m ³
3	40,835	0,033 m ²	0,016 m ²	9,165	0,172 m ³	33,183 m ³
4	50,000	0,294 m ²	0,280 m ²	25,000	9,283 m ³	42,466 m ³
4	50,000	0,294 m ²	0,280 m ²	25,000	9,283 m ³	42,466 m ³
5	75,000	0,266 m ²	1,080 m ²	25,000	30,536 m ³	73,002 m ³
4	50,000	0,000 m ²	1,080 m ²	25,000	30,536 m ³	73,002 m ³
5	75,000	2,161 m ²	0,193 m ²	6,671	1,674 m ³	74,676 m ³
5	75,000	0,266 m ²	0,193 m ²	6,671	1,674 m ³	74,676 m ³
6	81,671	0,120 m ²	1,326 m ²	6,671	8,017 m ³	82,693 m ³
5	75,000	2,161 m ²	1,326 m ²	6,671	8,017 m ³	82,693 m ³
6	81,671	0,492 m ²	1,866 m ²	18,329	34,207 m ³	116,900 m ³
6	81,671	0,612 m ²	1,866 m ²	18,329	34,207 m ³	116,900 m ³
7	100,000	3,121 m ²	2,721 m ²	25,000	68,029 m ³	184,929 m ³
7	100,000	3,121 m ²	2,721 m ²	25,000	68,029 m ³	184,929 m ³
8	125,000	2,321 m ²	2,297 m ²	25,000	57,418 m ³	242,347 m ³
8	125,000	2,321 m ²	2,297 m ²	25,000	57,418 m ³	242,347 m ³
9	150,000	2,272 m ²	1,909 m ²	25,000	47,720 m ³	290,067 m ³
9	150,000	2,272 m ²	1,909 m ²	25,000	47,720 m ³	290,067 m ³
10	175,000	1,546 m ²	2,353 m ²	25,000	58,825 m ³	348,892 m ³
10	175,000	1,546 m ²	2,353 m ²	25,000	58,825 m ³	348,892 m ³
11	200,000	3,160 m ²	2,837 m ²	25,000	70,929 m ³	419,821 m ³
11	200,000	3,160 m ²	2,837 m ²	25,000	70,929 m ³	419,821 m ³
12	225,000	2,514 m ²	1,667 m ²	25,000	41,664 m ³	461,485 m ³
12	225,000	2,514 m ²	1,667 m ²	25,000	41,664 m ³	461,485 m ³
13	250,000	0,819 m ²	1,335 m ²	11,674	15,590 m ³	477,075 m ³
13	250,000	0,819 m ²	1,335 m ²	11,674	15,590 m ³	477,075 m ³
14	261,674	1,852 m ²	2,023 m ²	13,326	26,961 m ³	504,036 m ³
14	261,674	1,852 m ²	2,023 m ²	13,326	26,961 m ³	504,036 m ³
15	275,000	2,195 m ²	2,572 m ²	25,000	64,291 m ³	568,327 m ³
15	275,000	2,195 m ²	2,572 m ²	25,000	64,291 m ³	568,327 m ³
16	300,000	2,949 m ²	2,686 m ²	25,000	67,157 m ³	635,484 m ³
16	300,000	2,949 m ²	2,686 m ²	25,000	67,157 m ³	635,484 m ³
17	325,000	2,424 m ²				

RILEVATO (RI)

Sezione	Distanza progressiva	Area	Area Media	Distanza parziale	Volume	
					Parziale	Totale
17	325,000	2,424 m ²	1,809 m ²	11,746	21,254 m ³	656,738 m ³
18	336,746	1,195 m ²				

SCOTICO (SCOT)

Sezione	Distanza progressiva	Sviluppo	Sviluppo Media	Distanza parziale	Area	
					Parziale	Totale
1	0,000	0,000 m				
			1,431 m	25,000	34,562 m ²	34,562 m ²
2	25,000	2,862 m				
2	25,000	2,862 m	1,431 m	15,835	21,892 m ²	56,454 m ²
3	40,835	0,000 m				
9	150,000	0,000 m	1,765 m	25,000	44,125 m ²	100,579 m ²
10	175,000	3,530 m				
10	175,000	3,530 m	3,648 m	25,000	91,190 m ²	191,769 m ²
11	200,000	3,765 m				
11	200,000	3,765 m	3,773 m	25,000	94,329 m ²	286,098 m ²
12	225,000	3,781 m				
12	225,000	3,781 m	1,891 m	25,000	47,263 m ²	333,361 m ²
13	250,000	0,000 m				
13	250,000	0,000 m	1,293 m	11,674	15,093 m ²	348,454 m ²
14	261,674	2,586 m				
14	261,674	2,586 m	3,016 m	13,326	40,196 m ²	388,650 m ²
15	275,000	3,447 m				
15	275,000	3,447 m	3,755 m	25,000	93,866 m ²	482,516 m ²
16	300,000	4,062 m				
16	300,000	4,062 m	3,495 m	25,000	87,387 m ²	569,903 m ²
17	325,000	2,929 m				
17	325,000	2,929 m	1,464 m	11,746	17,200 m ²	587,103 m ²
18	336,746	0,000 m				

					STERRO (ST)	
Sezione	Distanza progressiva	Area	Area Media	Distanza parziale	Volume	
					Parziale	Totale
1	0,000	3,918 m ²				
Sx			3,553 m ²	25,000	94,440 m ³	94,440 m ³
2	25,000	3,188 m ²				
1	0,000	1,110 m ²				
Dx			1,041 m ²	25,000	25,552 m ³	119,992 m ³
2	25,000	0,971 m ²				
2	25,000	3,188 m ²				
Sx			3,372 m ²	15,835	56,497 m ³	176,489 m ³
3	40,835	3,556 m ²				
2	25,000	0,971 m ²				
Dx			1,127 m ²	15,835	17,512 m ³	194,001 m ³
3	40,835	1,282 m ²				
3	40,835	3,556 m ²				
Sx			3,565 m ²	9,165	34,603 m ³	228,604 m ³
4	50,000	3,575 m ²				
3	40,835	1,282 m ²				
Dx			1,591 m ²	9,165	14,243 m ³	242,847 m ³
4	50,000	1,901 m ²				
4	50,000	3,575 m ²				
Sx			3,226 m ²	25,000	84,826 m ³	327,673 m ³
5	75,000	2,876 m ²				
4	50,000	1,901 m ²				
Dx			1,633 m ²	25,000	39,925 m ³	367,598 m ³
5	75,000	1,365 m ²				
5	75,000	2,876 m ²				
Sx			2,597 m ²	6,671	18,070 m ³	385,668 m ³
6	81,671	2,318 m ²				
5	75,000	1,365 m ²				
Dx			1,471 m ²	6,671	9,598 m ³	395,266 m ³
6	81,671	1,577 m ²				
6	81,671	3,895 m ²				
			3,610 m ²	18,329	66,164 m ³	461,430 m ³
7	100,000	3,325 m ²				
7	100,000	3,325 m ²				
			3,321 m ²	25,000	83,015 m ³	544,445 m ³
8	125,000	3,316 m ²				
8	125,000	3,316 m ²				
			3,657 m ²	25,000	91,433 m ³	635,878 m ³
9	150,000	3,998 m ²				
9	150,000	3,998 m ²				
			3,349 m ²	25,000	83,734 m ³	719,612 m ³
10	175,000	2,700 m ²				
10	175,000	2,700 m ²				
			2,573 m ²	25,000	64,319 m ³	783,931 m ³
11	200,000	2,445 m ²				
11	200,000	2,445 m ²				
			2,321 m ²	25,000	58,029 m ³	841,960 m ³
12	225,000	2,197 m ²				
12	225,000	2,197 m ²				
			2,819 m ²	25,000	70,468 m ³	912,428 m ³
13	250,000	3,440 m ²				
13	250,000	3,440 m ²				
			3,171 m ²	11,674	37,023 m ³	949,451 m ³
14	261,674	2,903 m ²				
14	261,674	2,903 m ²				
			2,217 m ²	13,326	29,546 m ³	978,997 m ³
15	275,000	1,532 m ²				

STERRO (ST)

Sezione	Distanza progressiva	Area	Area Media	Distanza parziale	Volume	
					Parziale	Totale
15	275,000	1,532 m ²	1,101 m ²	25,000	27,524 m ³	1006,521 m ³
16	300,000	0,670 m ²	0,789 m ²	25,000	19,732 m ³	1026,253 m ³
16	300,000	0,670 m ²	0,799 m ²	11,746	9,385 m ³	1035,638 m ³
17	325,000	0,908 m ²				
17	325,000	0,908 m ²				
18	336,746	0,690 m ²				

					TERRENO VEGETALE (TVEG)	
Sezione	Distanza progressiva	Sviluppo	Sviluppo Media	Distanza parziale	Area	
					Parziale	Totale
1	0,000	3,434 m	3,281 m	25,000	85,354 m ²	85,354 m ²
2	25,000	3,128 m	3,128 m	15,835	51,342 m ²	136,696 m ²
2	25,000	3,128 m	3,128 m	9,165	29,716 m ²	166,412 m ²
3	40,835	3,128 m	3,128 m	25,000	59,356 m ²	225,768 m ²
3	40,835	3,128 m	3,128 m	6,671	10,389 m ²	236,157 m ²
4	50,000	3,128 m	2,364 m	18,329	29,309 m ²	265,466 m ²
4	50,000	3,128 m	1,599 m	25,000	39,977 m ²	305,443 m ²
5	75,000	1,599 m	1,599 m	25,000	39,977 m ²	345,420 m ²
5	75,000	1,599 m	1,599 m	25,000	39,977 m ²	385,397 m ²
6	81,671	1,599 m	1,599 m	25,000	39,977 m ²	425,374 m ²
6	81,671	1,599 m	1,599 m	25,000	39,977 m ²	465,351 m ²
7	100,000	1,599 m	1,599 m	25,000	39,977 m ²	505,328 m ²
7	100,000	1,599 m	1,599 m	11,674	18,670 m ²	523,998 m ²
8	125,000	1,599 m	1,599 m	13,326	21,312 m ²	545,310 m ²
8	125,000	1,599 m	1,599 m	25,000	39,977 m ²	585,287 m ²
9	150,000	1,599 m	1,599 m	25,000	39,977 m ²	625,264 m ²
9	150,000	1,599 m	1,599 m	11,746	18,783 m ²	644,047 m ²
10	175,000	1,599 m	1,599 m			
10	175,000	1,599 m	1,599 m			
11	200,000	1,599 m	1,599 m			
11	200,000	1,599 m	1,599 m			
12	225,000	1,599 m	1,599 m			
12	225,000	1,599 m	1,599 m			
13	250,000	1,599 m	1,599 m			
13	250,000	1,599 m	1,599 m			
14	261,674	1,599 m	1,599 m			
14	261,674	1,599 m	1,599 m			
15	275,000	1,599 m	1,599 m			
15	275,000	1,599 m	1,599 m			
16	300,000	1,599 m	1,599 m			
16	300,000	1,599 m	1,599 m			
17	325,000	1,599 m	1,599 m			
17	325,000	1,599 m	1,599 m			
18	336,746	1,599 m	1,599 m			

STRATI LEGATI (USURA)

Sezione	Distanza progressiva	Sviluppo	Sviluppo Media	Distanza parziale	Area	
					Parziale	Totale
1	0,000	5,000 m				
Sx			5,000 m	25,000	131,010 m ²	131,010 m ²
2	25,000	5,000 m				
1	0,000	1,000 m	1,000 m	25,000	24,760 m ²	155,770 m ²
Dx						
2	25,000	1,000 m				
2	25,000	5,000 m	5,000 m	15,835	82,981 m ²	238,751 m ²
Sx						
3	40,835	5,000 m				
2	25,000	1,000 m	1,000 m	15,835	15,683 m ²	254,434 m ²
Dx						
3	40,835	1,000 m				
3	40,835	5,000 m	5,000 m	9,165	48,028 m ²	302,462 m ²
Sx						
4	50,000	5,000 m				
3	40,835	1,000 m	1,000 m	9,165	9,077 m ²	311,539 m ²
Dx						
4	50,000	1,000 m				
4	50,000	5,000 m	4,439 m	25,000	115,723 m ²	427,262 m ²
Sx						
5	75,000	3,879 m				
4	50,000	1,000 m	0,829 m	25,000	20,572 m ²	447,834 m ²
Dx						
5	75,000	0,659 m				
5	75,000	3,879 m	3,644 m	6,671	25,159 m ²	472,993 m ²
Sx						
6	81,671	3,409 m				
5	75,000	0,659 m	0,582 m	6,671	3,863 m ²	476,856 m ²
Dx						
6	81,671	0,506 m				
6	81,671	3,915 m	3,912 m	18,329	71,706 m ²	548,562 m ²
7	100,000	3,910 m				
7	100,000	3,910 m	3,910 m	25,000	97,760 m ²	646,322 m ²
8	125,000	3,911 m				
8	125,000	3,911 m	3,912 m	25,000	97,793 m ²	744,115 m ²
9	150,000	3,912 m				
9	150,000	3,912 m	3,913 m	25,000	97,825 m ²	841,940 m ²
10	175,000	3,914 m				
10	175,000	3,914 m	3,914 m	25,000	97,858 m ²	939,798 m ²
11	200,000	3,915 m				
11	200,000	3,915 m	3,916 m	25,000	97,891 m ²	1037,689 m ²
12	225,000	3,916 m				
12	225,000	3,916 m	3,917 m	25,000	97,924 m ²	1135,613 m ²
13	250,000	3,918 m				
13	250,000	3,918 m	3,918 m	11,674	45,744 m ²	1181,357 m ²
14	261,674	3,919 m				
14	261,674	3,919 m	3,618 m	13,326	48,215 m ²	1229,572 m ²
15	275,000	3,317 m				

STRATI LEGATI (USURA)

Sezione	Distanza progressiva	Sviluppo	Sviluppo Media	Distanza parziale	Area	
					Parziale	Totale
15	275,000	3,317 m	2,750 m	25,000	68,746 m ²	1298,318 m ²
16	300,000	2,183 m	1,615 m	25,000	40,386 m ²	1338,704 m ²
16	300,000	2,183 m	0,782 m	11,746	9,182 m ²	1347,886 m ²
17	325,000	1,048 m				
17	325,000	1,048 m				
18	336,746	0,515 m				

CORSIA D

RIEPILOGO QUANTITA'

Pagina: 1 / 1

Codice	Descrizione	Quantità
CANAL	CANALETTA	4,195 m³
FONDA	STRATO DI FONDAZIONE	395,435 m³
GRAD	SCAVO A GRADONI	1445,331 m²
RI	RILEVATO	188,332 m³
SCOT	SCOTICO	269,973 m²
ST	STERRO	1001,287 m³
TVEG	TERRENO VEGETALE	677,802 m²
USURA	STRATI LEGATI	1248,268 m²
MISTO CEMENTATO	Misto cementato	1248,268-379,219= 869,049 m²

STRATO DI FONDAZIONE (FONDA)

Sezione	Distanza progressiva	Area	Area Media	Distanza parziale	Volume	
					Parziale	Totale
1	0,000	1,390 m ²				
Sx			1,389 m ²	25,000	37,149 m ³	37,149 m ³
2	25,000	1,389 m ²				
1	0,000	0,590 m ²				
Dx			0,590 m ²	25,000	14,315 m ³	51,464 m ³
2	25,000	0,590 m ²				
2	25,000	1,389 m ²				
Sx			1,389 m ²	13,116	19,482 m ³	70,946 m ³
3	38,116	1,389 m ²				
2	25,000	0,590 m ²				
Dx			0,590 m ²	13,116	7,510 m ³	78,456 m ³
3	38,116	0,590 m ²				
3	38,116	1,389 m ²				
Sx			1,389 m ²	11,884	17,652 m ³	96,108 m ³
4	50,000	1,389 m ²				
3	38,116	0,590 m ²				
Dx			0,590 m ²	11,884	6,804 m ³	102,912 m ³
4	50,000	0,590 m ²				
4	50,000	1,389 m ²				
Sx			0,694 m ²	26,232	18,850 m ³	121,762 m ³
5	76,232	0,000 m ²				
4	50,000	0,590 m ²				
Dx			0,295 m ²	26,232	7,624 m ³	129,386 m ³
5	76,232	0,000 m ²				
5	76,232	0,000 m ²				
			0,578 m ²	23,768	13,733 m ³	143,119 m ³
6	100,000	1,156 m ²				
6	100,000	1,156 m ²				
			1,163 m ²	25,000	29,068 m ³	172,187 m ³
7	125,000	1,170 m ²				
7	125,000	1,170 m ²				
			1,177 m ²	25,000	29,423 m ³	201,610 m ³
8	150,000	1,184 m ²				
8	150,000	1,184 m ²				
			1,191 m ²	25,000	29,778 m ³	231,388 m ³
9	175,000	1,198 m ²				
9	175,000	1,198 m ²				
			1,205 m ²	25,000	30,133 m ³	261,521 m ³
10	200,000	1,212 m ²				
10	200,000	1,212 m ²				
			1,220 m ²	25,000	30,488 m ³	292,009 m ³
11	225,000	1,227 m ²				
11	225,000	1,227 m ²				
			1,234 m ²	25,000	30,843 m ³	322,852 m ³
12	250,000	1,241 m ²				
12	250,000	1,241 m ²				
			1,243 m ²	6,221	7,731 m ³	330,583 m ³
13	256,221	1,245 m ²				
13	256,221	1,245 m ²				
			1,149 m ²	18,779	21,586 m ³	352,169 m ³
14	275,000	1,054 m ²				
14	275,000	1,054 m ²				
			0,927 m ²	25,000	23,183 m ³	375,352 m ³
15	300,000	0,800 m ²				
15	300,000	0,800 m ²				
			0,673 m ²	25,000	16,834 m ³	392,186 m ³
16	325,000	0,546 m ²				

STRATO DI FONDAZIONE (FONDA)

Sezione	Distanza progressiva	Area	Area Media	Distanza parziale	Volume	
					Parziale	Totale
16	325,000	0,546 m ²	0,514 m ²	6,316	3,249 m ³	395,435 m ³
17	331,316	0,482 m ²				

SCAVO A GRADONI (GRAD)

Sezione	Distanza progressiva	Sviluppo	Sviluppo Media	Distanza parziale	Area	
					Parziale	Totale
1	0,000	6,546 m	5,792 m	25,000	136,412 m ²	136,412 m ²
2	25,000	5,038 m	5,548 m	13,116	69,730 m ²	206,142 m ²
2	25,000	5,038 m	5,548 m	13,116	69,730 m ²	206,142 m ²
3	38,116	6,058 m	5,618 m	11,884	64,794 m ²	270,936 m ²
3	38,116	6,058 m	5,618 m	11,884	64,794 m ²	270,936 m ²
4	50,000	5,177 m	2,589 m	26,232	67,028 m ²	337,964 m ²
4	50,000	5,177 m	2,589 m	26,232	67,028 m ²	337,964 m ²
5	76,232	0,000 m	1,947 m	23,768	46,285 m ²	384,249 m ²
5	76,232	0,000 m	1,947 m	23,768	46,285 m ²	384,249 m ²
6	100,000	3,895 m	1,947 m	25,000	48,684 m ²	432,933 m ²
6	100,000	3,895 m	1,947 m	25,000	48,684 m ²	432,933 m ²
7	125,000	0,000 m	3,462 m	25,000	86,559 m ²	519,492 m ²
8	150,000	0,000 m	6,720 m	25,000	168,006 m ²	687,498 m ²
9	175,000	6,925 m	6,757 m	25,000	168,920 m ²	1027,338 m ²
9	175,000	6,925 m	6,757 m	25,000	168,920 m ²	1027,338 m ²
10	200,000	6,516 m	6,837 m	25,000	170,920 m ²	858,418 m ²
10	200,000	6,516 m	6,837 m	25,000	170,920 m ²	858,418 m ²
11	225,000	7,158 m	9,389 m	6,221	58,409 m ²	1085,747 m ²
11	225,000	7,158 m	9,389 m	6,221	58,409 m ²	1085,747 m ²
12	250,000	6,356 m	9,293 m	18,779	174,512 m ²	1260,259 m ²
12	250,000	6,356 m	9,293 m	18,779	174,512 m ²	1260,259 m ²
13	256,221	12,422 m	5,242 m	25,000	131,059 m ²	1391,318 m ²
13	256,221	12,422 m	5,242 m	25,000	131,059 m ²	1391,318 m ²
14	275,000	6,164 m	2,161 m	25,000	54,013 m ²	1445,331 m ²
14	275,000	6,164 m	2,161 m	25,000	54,013 m ²	1445,331 m ²
15	300,000	4,321 m				
15	300,000	4,321 m				
16	325,000	0,000 m				

					RILEVATO (RI)	
Sezione	Distanza progressiva	Area	Area Media	Distanza parziale	Volume	
					Parziale	Totale
1	0,000	0,029 m ²				
Sx			0,030 m ²	25,000	0,857 m ³	0,857 m ³
2	25,000	0,031 m ²				
1	0,000	1,969 m ²	2,090 m ²	25,000	48,241 m ³	49,098 m ³
Dx						
2	25,000	2,212 m ²				
2	25,000	0,031 m ²	0,030 m ²	13,116	0,458 m ³	49,556 m ³
Sx						
3	38,116	0,030 m ²				
2	25,000	2,212 m ²	2,016 m ²	13,116	24,844 m ³	74,400 m ³
Dx						
3	38,116	1,820 m ²				
3	38,116	0,030 m ²	0,015 m ²	11,884	0,185 m ³	74,585 m ³
Sx						
4	50,000	0,000 m ²				
3	38,116	1,820 m ²	1,449 m ²	11,884	16,270 m ³	90,855 m ³
Dx						
4	50,000	1,078 m ²				
4	50,000	1,078 m ²	0,539 m ²	26,232	13,768 m ³	104,623 m ³
5	76,232	0,000 m ²				
5	76,232	0,000 m ²	0,055 m ²	23,768	1,304 m ³	105,927 m ³
6	100,000	0,110 m ²				
6	100,000	0,110 m ²	0,055 m ²	25,000	1,371 m ³	107,298 m ³
7	125,000	0,000 m ²				
8	150,000	0,000 m ²	0,174 m ²	25,000	4,353 m ³	111,651 m ³
9	175,000	0,348 m ²				
9	175,000	0,348 m ²	0,174 m ²	25,000	4,353 m ³	116,004 m ³
10	200,000	0,000 m ²				
10	200,000	0,000 m ²	0,259 m ²	25,000	6,467 m ³	122,471 m ³
11	225,000	0,517 m ²				
11	225,000	0,517 m ²	0,667 m ²	25,000	16,676 m ³	139,147 m ³
12	250,000	0,817 m ²				
12	250,000	0,817 m ²	1,434 m ²	6,221	8,920 m ³	148,067 m ³
13	256,221	2,051 m ²				
13	256,221	2,051 m ²	1,284 m ²	18,779	24,105 m ³	172,172 m ³
14	275,000	0,516 m ²				
14	275,000	0,516 m ²	0,452 m ²	25,000	11,307 m ³	183,479 m ³
15	300,000	0,388 m ²				
15	300,000	0,388 m ²	0,194 m ²	25,000	4,853 m ³	188,332 m ³
16	325,000	0,000 m ²				

SCOTICO (SCOT)

Sezione	Distanza progressiva	Sviluppo	Sviluppo Media	Distanza parziale	Area	
					Parziale	Totale
1	0,000	3,953 m				
			3,828 m	25,000	88,281 m ²	88,281 m ²
2	25,000	3,703 m				
2	25,000	3,703 m	3,692 m	13,116	45,506 m ²	133,787 m ²
3	38,116	3,680 m				
3	38,116	3,680 m	1,840 m	11,884	21,247 m ²	155,034 m ²
4	50,000	0,000 m				
10	200,000	0,000 m	0,407 m	25,000	10,167 m ²	165,201 m ²
11	225,000	0,813 m				
11	225,000	0,813 m	0,904 m	25,000	22,610 m ²	187,811 m ²
12	250,000	0,995 m				
12	250,000	0,995 m	1,843 m	6,221	11,465 m ²	199,276 m ²
13	256,221	2,690 m				
13	256,221	2,690 m	1,801 m	18,779	33,827 m ²	233,103 m ²
14	275,000	0,912 m				
14	275,000	0,912 m	0,965 m	25,000	24,136 m ²	257,239 m ²
15	300,000	1,019 m				
15	300,000	1,019 m	0,509 m	25,000	12,734 m ²	269,973 m ²
16	325,000	0,000 m				

					STERRO (ST)	
Sezione	Distanza progressiva	Area	Area Media	Distanza parziale	Volume	
					Parziale	Totale
1	0,000	3,746 m ²				
Sx			3,877 m ²	25,000	103,903 m ³	103,903 m ³
2	25,000	4,008 m ²				
1	0,000	1,268 m ²				
Dx			0,824 m ²	25,000	20,294 m ³	124,197 m ³
2	25,000	0,381 m ²				
2	25,000	4,008 m ²				
Sx			4,109 m ²	13,116	57,981 m ³	182,178 m ³
3	38,116	4,211 m ²				
2	25,000	0,381 m ²				
Dx			0,299 m ²	13,116	3,892 m ³	186,070 m ³
3	38,116	0,218 m ²				
3	38,116	4,211 m ²				
Sx			4,374 m ²	11,884	56,014 m ³	242,084 m ³
4	50,000	4,537 m ²				
3	38,116	0,218 m ²				
Dx			0,270 m ²	11,884	3,185 m ³	245,269 m ³
4	50,000	0,322 m ²				
4	50,000	4,537 m ²				
Sx			2,268 m ²	26,232	61,805 m ³	307,074 m ³
5	76,232	0,000 m ²				
4	50,000	0,322 m ²				
Dx			0,161 m ²	26,232	4,211 m ³	311,285 m ³
5	76,232	0,000 m ²				
5	76,232	0,000 m ²				
			1,646 m ²	23,768	39,116 m ³	350,401 m ³
6	100,000	3,291 m ²				
6	100,000	3,291 m ²				
			4,012 m ²	25,000	100,303 m ³	450,704 m ³
7	125,000	4,733 m ²				
7	125,000	4,733 m ²				
			4,081 m ²	25,000	102,036 m ³	552,740 m ³
8	150,000	3,430 m ²				
8	150,000	3,430 m ²				
			3,143 m ²	25,000	78,575 m ³	631,315 m ³
9	175,000	2,856 m ²				
9	175,000	2,856 m ²				
			3,423 m ²	25,000	85,566 m ³	716,881 m ³
10	200,000	3,989 m ²				
10	200,000	3,989 m ²				
			3,130 m ²	25,000	78,241 m ³	795,122 m ³
11	225,000	2,270 m ²				
11	225,000	2,270 m ²				
			2,080 m ²	25,000	52,003 m ³	847,125 m ³
12	250,000	1,890 m ²				
12	250,000	1,890 m ²				
			1,876 m ²	6,221	11,672 m ³	858,797 m ³
13	256,221	1,862 m ²				
13	256,221	1,862 m ²				
			2,083 m ²	18,779	39,114 m ³	897,911 m ³
14	275,000	2,304 m ²				
14	275,000	2,304 m ²				
			1,836 m ²	25,000	45,891 m ³	943,802 m ³
15	300,000	1,367 m ²				
15	300,000	1,367 m ²				
			1,791 m ²	25,000	44,778 m ³	988,580 m ³
16	325,000	2,215 m ²				

STERRO (ST)

Sezione	Distanza progressiva	Area	Area Media	Distanza parziale	Volume	
					Parziale	Totale
16	325,000	2,215 m ²	2,012 m ²	6,316	12,707 m ³	1001,287 m ³
17	331,316	1,809 m ²				

					TERRENO VEGETALE (TVEG)	
Sezione	Distanza progressiva	Sviluppo	Sviluppo Media	Distanza parziale	Area	
					Parziale	Totale
1	0,000	3,483 m				
			3,377 m	25,000	88,223 m ²	88,223 m ²
2	25,000	3,272 m				
2	25,000	3,272 m	3,206 m	13,116	43,747 m ²	131,970 m ²
3	38,116	3,141 m				
3	38,116	3,141 m	3,162 m	11,884	39,234 m ²	171,204 m ²
4	50,000	3,184 m				
4	50,000	3,184 m	3,092 m	26,232	82,043 m ²	253,247 m ²
5	76,232	3,000 m				
5	76,232	3,000 m	2,300 m	23,768	54,657 m ²	307,904 m ²
6	100,000	1,599 m				
6	100,000	1,599 m	1,599 m	25,000	39,977 m ²	347,881 m ²
7	125,000	1,599 m				
7	125,000	1,599 m	1,599 m	25,000	39,977 m ²	387,858 m ²
8	150,000	1,599 m				
8	150,000	1,599 m	1,599 m	25,000	39,977 m ²	427,835 m ²
9	175,000	1,599 m				
9	175,000	1,599 m	1,599 m	25,000	39,977 m ²	467,812 m ²
10	200,000	1,599 m				
10	200,000	1,599 m	1,599 m	25,000	39,977 m ²	507,789 m ²
11	225,000	1,599 m				
11	225,000	1,599 m	1,599 m	25,000	39,977 m ²	547,766 m ²
12	250,000	1,599 m				
12	250,000	1,599 m	1,599 m	6,221	9,949 m ²	557,715 m ²
13	256,221	1,599 m				
13	256,221	1,599 m	1,599 m	18,779	30,033 m ²	587,748 m ²
14	275,000	1,599 m				
14	275,000	1,599 m	1,599 m	25,000	39,977 m ²	627,725 m ²
15	300,000	1,599 m				
15	300,000	1,599 m	1,599 m	25,000	39,977 m ²	667,702 m ²
16	325,000	1,599 m				
16	325,000	1,599 m	1,599 m	6,316	10,100 m ²	677,802 m ²
17	331,316	1,599 m				

STRATI LEGATI (USURA)

Sezione	Distanza progressiva	Sviluppo	Sviluppo Media	Distanza parziale	Area	
					Parziale	Totale
1	0,000	5,000 m				
Sx			5,000 m	25,000	131,250 m ²	131,250 m ²
2	25,000	5,000 m				
1	0,000	1,000 m	1,000 m	25,000	24,750 m ²	156,000 m ²
Dx						
2	25,000	1,000 m				
2	25,000	5,000 m	5,000 m	13,116	68,859 m ²	224,859 m ²
Sx						
3	38,116	5,000 m				
2	25,000	1,000 m	1,000 m	13,116	12,985 m ²	237,844 m ²
Dx						
3	38,116	1,000 m				
3	38,116	5,000 m	5,000 m	11,884	62,391 m ²	300,235 m ²
Sx						
4	50,000	5,000 m				
3	38,116	1,000 m	1,000 m	11,884	11,765 m ²	312,000 m ²
Dx						
4	50,000	1,000 m				
4	50,000	5,000 m	2,500 m	26,232	67,219 m ²	379,219 m ²
Sx						
5	76,232	0,000 m				
4	50,000	1,000 m	0,500 m	26,232	13,050 m ²	392,269 m ²
Dx						
5	76,232	0,000 m				
5	76,232	0,000 m	1,914 m	23,768	45,492 m ²	437,761 m ²
6	100,000	3,828 m				
6	100,000	3,828 m	3,864 m	25,000	96,589 m ²	534,350 m ²
7	125,000	3,899 m				
7	125,000	3,899 m	3,935 m	25,000	98,364 m ²	632,714 m ²
8	150,000	3,970 m				
8	150,000	3,970 m	4,006 m	25,000	100,139 m ²	732,853 m ²
9	175,000	4,041 m				
9	175,000	4,041 m	4,077 m	25,000	101,915 m ²	834,768 m ²
10	200,000	4,112 m				
10	200,000	4,112 m	4,148 m	25,000	103,690 m ²	938,458 m ²
11	225,000	4,183 m				
11	225,000	4,183 m	4,219 m	25,000	105,465 m ²	1043,923 m ²
12	250,000	4,254 m				
12	250,000	4,254 m	4,263 m	6,221	26,523 m ²	1070,446 m ²
13	256,221	4,273 m				
13	256,221	4,273 m	3,797 m	18,779	71,307 m ²	1141,753 m ²
14	275,000	3,322 m				
14	275,000	3,322 m	2,687 m	25,000	67,167 m ²	1208,920 m ²
15	300,000	2,052 m				
15	300,000	2,052 m	1,417 m	25,000	35,422 m ²	1244,342 m ²
16	325,000	0,782 m				

STRATI LEGATI (USURA)

Sezione	Distanza progressiva	Sviluppo	Sviluppo Media	Distanza parziale	Area	
					Parziale	Totale
16	325,000	0,782 m	0,622 m	6,316	3,926 m ²	1248,268 m ²
17	331,316	0,461 m				

V13

Adeguamento Svincolo Accesso Galleria FS al km 156+260

CORSIA A

Codice	Descrizione	Quantità
FONDA	STRATO DI FONDAZIONE	140,139 m ³
ST	STERRO	1543,825 m ³
TVEG	TERRENO VEGETALE	166,074 m ²
USURA	STRATI LEGATI	539,961 m ²

COMPUTO DELLE QUANTITA'

Pagina: 1 / 4

STRATO DI FONDAZIONE (FONDA)

Sezione	Distanza progressiva	Area	Area Media	Distanza parziale	Volume	
					Parziale	Totale
1	0,000	0,518 m ²	0,723 m ²	25,000	18,074 m ³	18,074 m ³
2	25,000	0,928 m ²	0,989 m ²	5,160	5,102 m ³	23,176 m ³
2	25,000	0,928 m ²	1,055 m ²	19,840	20,929 m ³	44,105 m ³
3	30,160	1,049 m ²	1,056 m ²	25,000	26,398 m ³	70,503 m ³
3	30,160	1,049 m ²	1,043 m ²	25,000	26,072 m ³	96,575 m ³
4	50,000	1,061 m ²	1,026 m ²	25,000	25,661 m ³	122,236 m ³
4	50,000	1,061 m ²	1,018 m ²	16,160	17,903 m ³	140,139 m ³
5	75,000	1,051 m ²				
5	75,000	1,051 m ²				
6	100,000	1,035 m ²				
6	100,000	1,035 m ²				
7	125,000	1,018 m ²				
7	125,000	1,018 m ²				
8	141,160	1,198 m ²				

STERRO (ST)

Sezione	Distanza progressiva	Area	Area Media	Distanza parziale	Volume	
					Parziale	Totale
1	0,000	4,622 m ²	9,834 m ²	25,000	245,861 m ³	245,861 m ³
2	25,000	15,047 m ²	16,059 m ²	5,160	82,866 m ³	328,727 m ³
2	25,000	15,047 m ²	14,282 m ²	19,840	283,360 m ³	612,087 m ³
3	30,160	17,072 m ²	15,176 m ²	25,000	379,389 m ³	991,476 m ³
3	30,160	17,072 m ²	13,291 m ²	25,000	332,277 m ³	1323,753 m ³
4	50,000	11,493 m ²	5,880 m ²	25,000	147,005 m ³	1470,758 m ³
4	50,000	11,493 m ²	4,521 m ²	16,160	73,067 m ³	1543,825 m ³
5	75,000	18,859 m ²				
5	75,000	18,859 m ²				
6	100,000	7,724 m ²				
6	100,000	7,724 m ²				
7	125,000	4,037 m ²				
7	125,000	4,037 m ²				
8	141,160	5,006 m ²				

TERRENO VEGETALE (TVEG)

Sezione	Distanza progressiva	Sviluppo	Sviluppo Media	Distanza parziale	Area	
					Parziale	Totale
1	0,000	4,554 m	2,652 m	25,000	66,299 m ²	66,299 m ²
2	25,000	0,750 m	0,750 m	5,160	3,871 m ²	70,170 m ²
2	25,000	0,750 m	0,750 m	19,840	14,885 m ²	85,055 m ²
3	30,160	0,751 m	0,750 m	25,000	18,741 m ²	103,796 m ²
3	30,160	0,751 m	0,750 m	25,000	18,741 m ²	122,537 m ²
4	50,000	0,750 m	0,750 m	25,000	18,741 m ²	141,278 m ²
4	50,000	0,750 m	0,750 m	16,160	24,796 m ²	166,074 m ²
5	75,000	0,750 m	1,534 m			
5	75,000	0,750 m				
6	100,000	0,750 m				
6	100,000	0,750 m				
7	125,000	0,750 m				
7	125,000	0,750 m				
8	141,160	2,319 m				

STRATI LEGATI (USURA)

Sezione	Distanza progressiva	Sviluppo	Sviluppo Media	Distanza parziale	Area	
					Parziale	Totale
1	0,000	0,638 m	2,140 m	25,000	53,497 m ²	53,497 m ²
2	25,000	3,642 m	3,943 m	5,160	20,344 m ²	73,841 m ²
2	25,000	3,642 m	4,273 m	19,840	84,784 m ²	158,625 m ²
3	30,160	4,243 m	4,280 m	25,000	106,990 m ²	265,615 m ²
3	30,160	4,243 m	4,214 m	25,000	105,361 m ²	370,976 m ²
4	50,000	4,304 m	4,132 m	25,000	103,304 m ²	474,280 m ²
4	50,000	4,304 m	4,064 m	16,160	65,681 m ²	539,961 m ²
5	75,000	4,256 m				
5	75,000	4,256 m				
6	100,000	4,173 m				
6	100,000	4,173 m				
7	125,000	4,091 m				
7	125,000	4,091 m				
8	141,160	4,038 m				

CORSIA B

Codice	Descrizione	Quantità
FONDA	STRATO DI FONDAZIONE	278,645 m ³
ST	STERRO	3083,856 m ³
TVEG	TERRENO VEGETALE	620,784 m ²
USURA	STRATI LEGATI	998,060 m ²

STRATO DI FONDAZIONE (FONDA)

Sezione	Distanza progressiva	Area	Area Media	Distanza parziale	Volume	
					Parziale	Totale
1	0,000	1,100 m ²	1,105 m ²	25,000	27,622 m ³	27,622 m ³
2	25,000	1,109 m ²	1,019 m ²	25,000	25,476 m ³	53,098 m ³
2	25,000	1,109 m ²	1,028 m ²	25,000	25,704 m ³	78,802 m ³
3	50,000	0,929 m ²	1,128 m ²	25,000	25,933 m ³	104,735 m ³
3	50,000	0,929 m ²	0,951 m ²	25,000	23,787 m ³	128,522 m ³
4	75,000	1,128 m ²	0,956 m ²	25,000	24,015 m ³	152,537 m ³
4	75,000	1,128 m ²	0,961 m ²	25,000	24,015 m ³	152,537 m ³
5	100,000	0,947 m ²	0,970 m ²	25,000	24,244 m ³	176,781 m ³
5	100,000	0,947 m ²	0,979 m ²	25,000	24,473 m ³	201,254 m ³
6	125,000	0,956 m ²	0,988 m ²	25,000	24,705 m ³	225,959 m ³
6	125,000	0,956 m ²	0,993 m ²	25,000	21,609 m ³	247,568 m ³
7	150,000	0,965 m ²	0,736 m ²	25,000	17,552 m ³	265,120 m ³
7	150,000	0,965 m ²	0,702 m ²	25,000	17,552 m ³	265,120 m ³
8	175,000	0,974 m ²	0,539 m ²	25,082	13,525 m ³	278,645 m ³
8	175,000	0,974 m ²				
9	200,000	0,983 m ²				
9	200,000	0,983 m ²				
10	225,000	0,993 m ²				
10	225,000	0,993 m ²				
11	250,000	0,736 m ²				
11	250,000	0,736 m ²				
12	275,000	0,668 m ²				
12	275,000	0,668 m ²				
13	300,082	0,410 m ²				

					STERRO (ST)	
Sezione	Distanza progressiva	Area	Area Media	Distanza parziale	Volume	
					Parziale	Totale
1	0,000	3,381 m ²	3,306 m ²	25,000	82,653 m ³	82,653 m ³
2	25,000	3,231 m ²	3,026 m ²	25,000	75,644 m ³	158,297 m ³
2	25,000	3,231 m ²	2,862 m ²	25,000	71,551 m ³	229,848 m ³
3	50,000	2,820 m ²	2,862 m ²	25,000	71,551 m ³	229,848 m ³
3	50,000	2,820 m ²	3,168 m ²	25,000	79,189 m ³	309,037 m ³
4	75,000	2,904 m ²	5,734 m ²	25,000	143,356 m ³	452,393 m ³
4	75,000	2,904 m ²	8,077 m ²	25,000	201,917 m ³	654,310 m ³
5	100,000	3,431 m ²	9,547 m ²	25,000	238,680 m ³	892,990 m ³
5	100,000	3,431 m ²	13,385 m ²	25,000	334,627 m ³	1227,617 m ³
6	125,000	8,037 m ²	17,814 m ²	25,000	445,349 m ³	1672,966 m ³
6	125,000	8,037 m ²	17,814 m ²	25,000	445,349 m ³	1672,966 m ³
7	150,000	8,116 m ²	18,422 m ²	25,000	460,551 m ³	2580,495 m ³
7	150,000	8,116 m ²	18,422 m ²	25,000	460,551 m ³	2580,495 m ³
8	175,000	10,978 m ²	20,069 m ²	25,082	503,361 m ³	3083,856 m ³
8	175,000	10,978 m ²	20,069 m ²	25,082	503,361 m ³	3083,856 m ³
9	200,000	15,792 m ²				
9	200,000	15,792 m ²				
10	225,000	19,836 m ²				
10	225,000	19,836 m ²				
11	250,000	15,922 m ²				
11	250,000	15,922 m ²				
12	275,000	20,922 m ²				
12	275,000	20,922 m ²				
13	300,082	19,215 m ²				

					TERRENO VEGETALE (TVEG)	
Sezione	Distanza progressiva	Sviluppo	Sviluppo Media	Distanza parziale	Area	
					Parziale	Totale
1	0,000	1,767 m	1,698 m	25,000	42,456 m ²	42,456 m ²
2	25,000	1,629 m	1,059 m	25,000	26,467 m ²	68,923 m ²
2	25,000	1,629 m	1,265 m	25,000	31,629 m ²	100,552 m ²
3	50,000	0,488 m	0,488 m	25,000	12,200 m ²	144,381 m ²
3	50,000	0,488 m	0,488 m	25,000	12,200 m ²	156,581 m ²
4	75,000	2,042 m	1,265 m	25,000	31,629 m ²	132,181 m ²
4	75,000	2,042 m	0,488 m	25,000	12,200 m ²	144,381 m ²
5	100,000	0,488 m	0,488 m	25,000	12,200 m ²	156,581 m ²
5	100,000	0,488 m	0,488 m	25,000	12,200 m ²	168,781 m ²
6	125,000	0,488 m	0,488 m	25,000	12,200 m ²	180,981 m ²
6	125,000	0,488 m	0,488 m	25,000	12,200 m ²	180,981 m ²
7	150,000	0,488 m	0,488 m	25,000	12,200 m ²	193,183 m ²
7	150,000	0,488 m	0,488 m	25,000	12,202 m ²	193,183 m ²
8	175,000	0,488 m	0,488 m	25,000	12,202 m ²	205,385 m ²
8	175,000	0,488 m	0,488 m	25,000	12,202 m ²	205,385 m ²
9	200,000	0,488 m	5,558 m	25,000	138,948 m ²	344,333 m ²
9	200,000	0,488 m	11,022 m	25,082	276,451 m ²	620,784 m ²
10	225,000	0,488 m				
10	225,000	0,488 m				
11	250,000	0,488 m				
11	250,000	0,488 m				
12	275,000	10,628 m				
12	275,000	10,628 m				
13	300,082	11,416 m				

STRATI LEGATI (USURA)

Sezione	Distanza progressiva	Sviluppo	Sviluppo Media	Distanza parziale	Area	
					Parziale	Totale
1	0,000	3,552 m				
			3,574 m	25,000	89,360 m ²	89,360 m ²
2	25,000	3,597 m				
2	25,000	3,597 m	3,620 m	25,000	90,503 m ²	179,863 m ²
3	50,000	3,643 m				
3	50,000	3,643 m	3,666 m	25,000	91,647 m ²	271,510 m ²
4	75,000	3,689 m				
4	75,000	3,689 m	3,712 m	25,000	92,790 m ²	364,300 m ²
5	100,000	3,734 m				
5	100,000	3,734 m	3,757 m	25,000	93,934 m ²	458,234 m ²
6	125,000	3,780 m				
6	125,000	3,780 m	3,803 m	25,000	95,077 m ²	553,311 m ²
7	150,000	3,826 m				
7	150,000	3,826 m	3,849 m	25,000	96,221 m ²	649,532 m ²
8	175,000	3,872 m				
8	175,000	3,872 m	3,895 m	25,000	97,364 m ²	746,896 m ²
9	200,000	3,917 m				
9	200,000	3,917 m	3,941 m	25,000	98,520 m ²	845,416 m ²
10	225,000	3,964 m				
10	225,000	3,964 m	3,322 m	25,000	83,042 m ²	928,458 m ²
11	250,000	2,679 m				
11	250,000	2,679 m	2,036 m	25,000	50,889 m ²	979,347 m ²
12	275,000	1,392 m				
12	275,000	1,392 m	0,746 m	25,082	18,713 m ²	998,060 m ²
13	300,082	0,100 m				

NUOVE PIAZZOLE DI SOSTA

P01

PIAZZOLA DI SOSTA ALLA PROGR.121+450 SUD

Codice	Descrizione	Quantità
FONDA	STRATO DI FONDAZIONE	76,542 m³
GRAD	SCAVO A GRADONI	256,426 m²
MURO	MURO	192,494 m³
RI	RILEVATO	99,708 m³
SCOT	SCOTICO	184,686 m²
ST	STERRO	102,398 m³
TVEG	TERRENO VEGETALE	189,557 m²
USURA	STRATI LEGATI	189,993 m²
CFT	COMPATTAZIONE FONDO TRINCEE	185,050 m²
GRAD	GRADONATURA	329,790 m²

COMPUTO DELLE QUANTITA'

Pagina: 1 / 8

STRATO DI FONDAZIONE (FONDA)

Sezione	Distanza progressiva	Area	Area Media	Distanza parziale	Volume	
					Parziale	Totale
1	0,000	0,572 m ²	1,009 m ²	20,000	20,187 m ³	20,187 m ³
2	20,000	1,447 m ²	1,447 m ²	12,499	18,084 m ³	38,271 m ³
2	20,000	1,447 m ²	1,447 m ²	12,501	18,087 m ³	56,358 m ³
3	32,499	1,447 m ²	1,447 m ²	19,997	20,184 m ³	76,542 m ³
3	32,499	1,447 m ²	1,447 m ²			
4	45,000	1,447 m ²	1,009 m ²			
4	45,000	1,447 m ²				
5	64,997	0,572 m ²				

COMPUTO DELLE QUANTITA'

Pagina: 2 / 8

SCAVO A GRADONI (GRAD)

Sezione	Distanza progressiva	Sviluppo	Sviluppo Media	Distanza parziale	Area	
					Parziale	Totale
1	0,000	0,000 m				
			2,672 m	20,000	53,443 m ²	53,443 m ²
2	20,000	5,344 m				
2	20,000	5,344 m	5,983 m	12,499	74,785 m ²	128,228 m ²
3	32,499	6,622 m				
3	32,499	6,622 m	6,189 m	12,501	77,366 m ²	205,594 m ²
4	45,000	5,755 m				
4	45,000	5,755 m	2,878 m	19,997	57,544 m ²	263,138 m ²
5	64,997	0,000 m				

MURO (MURO)

Sezione	Distanza progressiva	Area	Area Media	Distanza parziale	Volume	
					Parziale	Totale
1	0,000	0,000 m ²	1,500 m ²	20,000	30,000 m ³	30,000 m ³
2	20,000	3,000 m ²	4,000 m ²	12,499	49,996 m ³	79,996 m ³
2	20,000	3,000 m ²	5,000 m ²	12,501	62,505 m ³	142,501 m ³
3	32,499	5,000 m ²	2,500 m ²	19,997	49,993 m ³	192,494 m ³
3	32,499	5,000 m ²	0,000 m ²			
4	45,000	5,000 m ²				
4	45,000	5,000 m ²				
5	64,997	0,000 m ²				

COMPUTO DELLE QUANTITA'

Pagina: 4 / 8

					RILEVATO (RI)	
Sezione	Distanza progressiva	Area	Area Media	Distanza parziale	Volume	
					Parziale	Totale
1	0,000	0,000 m ²	1,006 m ²	20,000	20,120 m ³	20,120 m ³
2	20,000	2,012 m ²	1,942 m ²	12,499	24,279 m ³	44,399 m ³
2	20,000	2,012 m ²	2,278 m ²	12,501	28,479 m ³	72,878 m ³
3	32,499	1,873 m ²	1,342 m ²	19,997	26,830 m ³	99,708 m ³
3	32,499	1,873 m ²				
4	45,000	2,683 m ²				
4	45,000	2,683 m ²				
5	64,997	0,000 m ²				

SCOTICO (SCOT)

Sezione	Distanza progressiva	Sviluppo	Sviluppo Media	Distanza parziale	Area	
					Parziale	Totale
1	0,000	0,000 m	1,509 m	20,000	30,178 m ²	30,178 m ²
2	20,000	3,018 m	4,071 m	12,499	50,879 m ²	81,057 m ²
2	20,000	3,018 m	4,765 m	12,501	59,568 m ²	140,625 m ²
3	32,499	5,123 m	2,203 m	19,997	44,061 m ²	184,686 m ²
3	32,499	5,123 m				
4	45,000	4,407 m				
4	45,000	4,407 m				
5	64,997	0,000 m				

STERRO (ST)

Sezione	Distanza progressiva	Area	Area Media	Distanza parziale	Volume	
					Parziale	Totale
1	0,000	1,377 m ²	1,525 m ²	20,000	30,498 m ³	30,498 m ³
2	20,000	1,672 m ²	1,691 m ²	12,499	21,142 m ³	51,640 m ³
2	20,000	1,672 m ²	1,671 m ²	12,501	20,894 m ³	72,534 m ³
3	32,499	1,711 m ²	1,493 m ²	19,997	29,864 m ³	102,398 m ³
3	32,499	1,711 m ²				
4	45,000	1,632 m ²				
4	45,000	1,632 m ²				
5	64,997	1,355 m ²				

TERRENO VEGETALE (TVEG)

Sezione	Distanza progressiva	Sviluppo	Sviluppo Media	Distanza parziale	Area	
					Parziale	Totale
1	0,000	1,617 m	2,876 m	20,000	57,511 m ²	57,511 m ²
2	20,000	4,134 m	3,395 m	12,499	42,431 m ²	99,942 m ²
2	20,000	4,134 m	3,074 m	12,501	38,432 m ²	138,374 m ²
3	32,499	2,656 m	2,560 m	19,997	51,183 m ²	189,557 m ²
3	32,499	2,656 m				
4	45,000	3,493 m				
4	45,000	3,493 m				
5	64,997	1,626 m				

STRATI LEGATI (USURA)

Sezione	Distanza progressiva	Sviluppo	Sviluppo Media	Distanza parziale	Area	
					Parziale	Totale
1	0,000	0,500 m	2,250 m	20,000	45,000 m ²	45,000 m ²
2	20,000	4,000 m	4,000 m	12,499	49,996 m ²	94,996 m ²
2	20,000	4,000 m	4,000 m	12,501	50,004 m ²	145,000 m ²
3	32,499	4,000 m	4,000 m	19,997	44,993 m ²	189,993 m ²
3	32,499	4,000 m	4,000 m			
4	45,000	4,000 m				
4	45,000	4,000 m	2,250 m			
5	64,997	0,500 m				

P02

PIAZZOLA DI SOSTA ALLA PROGR.132+800 SUD

Codice	Descrizione	Quantità
BON	BONIFICA	3,224 m³
FONDA	STRATO DI FONDAZIONE	76,405 m³
GRAD	SCAVO A GRADONI	326,091 m²
RI	RILEVATO	119,041 m³
SCOT	SCOTICO	118,103 m²
ST	STERRO	104,745 m³
TVEG	TERRENO VEGETALE	215,694 m²
USURA	STRATI LEGATI	189,771 m²
CFT	COMPATTAZIONE FONDO TRINCEE	49,510 m²

COMPUTO DELLE QUANTITA'

Pagina: 1 / 8

BONIFICA (BON)

Sezione	Distanza progressiva	Area	Area Media	Distanza parziale	Volume	
					Parziale	Totale
1	0,000	0,116 m ²	0,058 m ²	20,004	1,157 m ³	1,157 m ³
2	20,004	0,000 m ²				
4	44,999	0,000 m ²	0,038 m ²	20,009	0,750 m ³	1,907 m ³
5	65,008	0,075 m ²				
4	44,999	0,000 m ²	0,066 m ²	20,009	1,317 m ³	3,224 m ³
5	65,008	0,132 m ²				

COMPUTO DELLE QUANTITA'

Pagina: 2 / 8

STRATO DI FONDAZIONE (FONDA)

Sezione	Distanza progressiva	Area	Area Media	Distanza parziale	Volume	
					Parziale	Totale
1	0,000	0,572 m ²	1,009 m ²	20,004	20,159 m ³	20,159 m ³
2	20,004	1,447 m ²	1,447 m ²	12,500	18,045 m ³	38,204 m ³
2	20,004	1,447 m ²	1,447 m ²	12,495	18,037 m ³	56,241 m ³
3	32,504	1,447 m ²	1,447 m ²	20,009	20,164 m ³	76,405 m ³
3	32,504	1,447 m ²	1,447 m ²			
4	44,999	1,447 m ²	1,009 m ²			
4	44,999	1,447 m ²	1,009 m ²			
5	65,008	0,572 m ²				

COMPUTO DELLE QUANTITA'

Pagina: 3 / 8

SCAVO A GRADONI (GRAD)

Sezione	Distanza progressiva	Sviluppo	Sviluppo Media	Distanza parziale	Area	
					Parziale	Totale
1	0,000	0,000 m				
			3,598 m	20,004	71,866 m ²	71,866 m ²
2	20,004	7,195 m				
2	20,004	7,195 m	7,242 m	12,500	90,266 m ²	162,132 m ²
3	32,504	7,289 m				
3	32,504	7,289 m	7,299 m	12,495	90,938 m ²	253,070 m ²
4	44,999	7,309 m				
4	44,999	7,309 m	3,655 m	20,009	73,021 m ²	326,091 m ²
5	65,008	0,000 m				

COMPUTO DELLE QUANTITA'

Pagina: 4 / 8

					RILEVATO (RI)	
Sezione	Distanza progressiva	Area	Area Media	Distanza parziale	Volume	
					Parziale	Totale
1	0,000	0,133 m ²	1,393 m ²	20,004	27,782 m ³	27,782 m ³
2	20,004	2,654 m ²	2,741 m ²	12,500	34,112 m ³	61,894 m ³
3	32,504	2,827 m ²	2,590 m ²	12,495	32,218 m ³	94,112 m ³
4	44,999	2,352 m ²	1,250 m ²	20,009	24,929 m ³	119,041 m ³
5	65,008	0,148 m ²				

SCOTICO (SCOT)

Sezione	Distanza progressiva	Sviluppo	Sviluppo Media	Distanza parziale	Area	
					Parziale	Totale
1	0,000	0,000 m				
			1,597 m	20,004	31,884 m ²	31,884 m ²
2	20,004	3,194 m				
2	20,004	3,194 m	2,222 m	12,500	27,674 m ²	59,558 m ²
3	32,504	1,250 m				
3	32,504	1,250 m	2,114 m	12,495	26,316 m ²	85,874 m ²
4	44,999	2,978 m				
4	44,999	0,000 m	0,125 m	20,009	2,496 m ²	88,370 m ²
5	65,008	0,250 m				
4	44,999	2,978 m	1,489 m	20,009	29,733 m ²	118,103 m ²
5	65,008	0,000 m				

COMPUTO DELLE QUANTITA'

Pagina: 6 / 8

STERRO (ST)

Sezione	Distanza progressiva	Area	Area Media	Distanza parziale	Volume	
					Parziale	Totale
1	0,000	1,311 m ²	1,522 m ²	20,004	30,412 m ³	30,412 m ³
2	20,004	1,733 m ²	1,707 m ²	12,500	21,296 m ³	51,708 m ³
2	20,004	1,733 m ²	1,742 m ²	12,495	21,731 m ³	73,439 m ³
3	32,504	1,680 m ²	1,567 m ²	20,009	31,306 m ³	104,745 m ³
3	32,504	1,680 m ²				
4	44,999	1,805 m ²				
4	44,999	1,805 m ²				
5	65,008	1,329 m ²				

TERRENO VEGETALE (TVEG)

Sezione	Distanza progressiva	Sviluppo	Sviluppo Media	Distanza parziale	Area	
					Parziale	Totale
1	0,000	1,644 m	2,821 m	20,004	56,272 m ²	56,272 m ²
2	20,004	3,998 m	4,052 m	12,500	50,418 m ²	106,690 m ²
2	20,004	3,998 m	4,111 m	12,495	51,132 m ²	157,822 m ²
3	32,504	4,107 m	4,111 m	12,495	51,132 m ²	157,822 m ²
3	32,504	4,107 m	4,111 m	12,495	51,132 m ²	157,822 m ²
4	44,999	4,116 m	2,901 m	20,009	57,872 m ²	215,694 m ²
4	44,999	4,116 m	2,901 m	20,009	57,872 m ²	215,694 m ²
5	65,008	1,685 m				

STRATI LEGATI (USURA)

Sezione	Distanza progressiva	Sviluppo	Sviluppo Media	Distanza parziale	Area	
					Parziale	Totale
1	0,000	0,500 m	2,250 m	20,004	44,969 m ²	44,969 m ²
2	20,004	4,000 m	4,000 m	12,500	49,921 m ²	94,890 m ²
2	20,004	4,000 m	4,000 m	12,495	49,901 m ²	144,791 m ²
3	32,504	4,000 m	4,000 m	20,009	44,980 m ²	189,771 m ²
3	32,504	4,000 m	4,000 m			
4	44,999	4,000 m				
4	44,999	4,000 m	2,250 m			
5	65,008	0,500 m				

P03

PIAZZOLA DI SOSTA ALLA PROGR.136+050 SUD

Codice	Descrizione	Quantità
BON	BONIFICA	19,499 m ³
FONDA	STRATO DI FONDAZIONE	80,102 m ³
RI	RILEVATO	44,671 m ³
SCOT	SCOTICO	61,787 m ²
ST	STERRO	98,374 m ³
USURA	STRATI LEGATI	190,155 m ²

CFT	COMPATTAZIONE FONDO TRINCEE	440,960 m ²
-----	-----------------------------	------------------------

COMPUTO DELLE QUANTITA'

Pagina: 1 / 6

BONIFICA (BON)

Sezione	Distanza progressiva	Area	Area Media	Distanza parziale	Volume	
					Parziale	Totale
3	32,501	0,000 m ²	0,599 m ²	12,499	7,499 m ³	7,499 m ³
4	45,001	1,198 m ²	0,599 m ²	20,002	12,000 m ³	19,499 m ³
5	65,003	0,000 m ²				

COMPUTO DELLE QUANTITA'

Pagina: 2 / 6

STRATO DI FONDAZIONE (FONDA)

Sezione	Distanza progressiva	Area	Area Media	Distanza parziale	Volume	
					Parziale	Totale
1	0,000	0,625 m ²	1,063 m ²	20,000	21,272 m ³	21,272 m ³
2	20,000	1,500 m ²	1,500 m ²	12,501	18,780 m ³	40,052 m ³
2	20,000	1,500 m ²	1,500 m ²	12,499	18,776 m ³	58,828 m ³
3	32,501	1,500 m ²	1,500 m ²	20,002	21,274 m ³	80,102 m ³
3	32,501	1,500 m ²	1,500 m ²			
4	45,001	1,500 m ²	1,062 m ²			
4	45,001	1,500 m ²				
5	65,003	0,625 m ²				

COMPUTO DELLE QUANTITA'

Pagina: 3 / 6

					RILEVATO (RI)	
Sezione	Distanza progressiva	Area	Area Media	Distanza parziale	Volume	
					Parziale	Totale
3	32,501	0,000 m ²	1,373 m ²	12,499	17,179 m ³	17,179 m ³
4	45,001	2,746 m ²				
4	45,001	2,746 m ²	1,373 m ²	20,002	27,492 m ³	44,671 m ³
5	65,003	0,000 m ²				

SCOTICO (SCOT)

Sezione	Distanza progressiva	Sviluppo	Sviluppo Media	Distanza parziale	Area	
					Parziale	Totale
3	32,501	0,000 m	1,899 m	12,499	23,762 m ²	23,762 m ²
4	45,001	3,798 m	1,899 m	20,002	38,025 m ²	61,787 m ²
4	45,001	3,798 m	1,899 m	20,002	38,025 m ²	61,787 m ²
5	65,003	0,000 m				

COMPUTO DELLE QUANTITA'

Pagina: 5 / 6

STERRO (ST)

Sezione	Distanza progressiva	Area	Area Media	Distanza parziale	Volume	
					Parziale	Totale
1	0,000	1,124 m ²	1,773 m ²	20,000	35,490 m ³	35,490 m ³
2	20,000	2,422 m ²				
2	20,000	2,422 m ²	2,002 m ²	12,501	25,054 m ³	60,544 m ³
3	32,501	1,581 m ²				
3	32,501	1,581 m ²	1,312 m ²	12,499	16,407 m ³	76,951 m ³
4	45,001	1,042 m ²				
4	45,001	1,042 m ²	1,070 m ²	20,002	21,423 m ³	98,374 m ³
5	65,003	1,099 m ²				

STRATI LEGATI (USURA)

Sezione	Distanza progressiva	Sviluppo	Sviluppo Media	Distanza parziale	Area	
					Parziale	Totale
1	0,000	0,500 m	2,250 m	20,000	45,025 m ²	45,025 m ²
2	20,000	4,000 m	4,000 m	12,501	50,054 m ²	95,079 m ²
2	20,000	4,000 m	4,000 m	12,499	50,046 m ²	145,125 m ²
3	32,501	4,000 m	4,000 m	20,002	45,030 m ²	190,155 m ²
3	32,501	4,000 m	4,000 m			
4	45,001	4,000 m				
4	45,001	4,000 m				
5	65,003	0,500 m				

Compattazione delle trincee

	Dist.			Superfici	
	Sez.	Progr.	Parz.		ml.
P03 - Piazzola Km 136+050 Sud	1	0,00	0,00	4,679	
	2	20,00	20,00	7,762	124,41
	3	32,50	12,50	7,678	96,51
	4	45,00	12,50	7,258	93,34
	5	65,00	20,00	5,411	126,70
					0,00
					0,00
					0,00
					0,00
					0,00
					0,00
					0,00
					0,00
					0,00
					0,00
					0,00
					0,00
					0,00
					0,00

Sommano mq. 440,96

P04

PIAZZOLA DI SOSTA ALLA PROGR.140+630 SUD

Codice	Descrizione	Quantità
FONDA	STRATO DI FONDAZIONE	81,689 m ³
SCOT	SCOTICO	4,999 m ²
ST	STERRO	308,055 m ³
TVEG	TERRENO VEGETALE	34,252 m ²
USURA	STRATI LEGATI	189,989 m ²
CFT	COMPATTAZIONE FONDO TRINCEE	334,000 m ²

COMPUTO DELLE QUANTITA'

Pagina: 1 / 5

STRATO DI FONDAZIONE (FONDA)

Sezione	Distanza progressiva	Area	Area Media	Distanza parziale	Volume	
					Parziale	Totale
1	0,000	0,654 m ²	1,092 m ²	20,000	21,832 m ³	21,832 m ³
2	20,000	1,529 m ²	1,529 m ²	12,498	19,108 m ³	40,940 m ³
2	20,000	1,529 m ²	1,523 m ²	12,502	19,042 m ³	59,982 m ³
3	32,498	1,529 m ²	1,518 m ²	19,995	21,707 m ³	81,689 m ³
3	32,498	1,529 m ²	1,086 m ²	19,995	21,707 m ³	81,689 m ³
4	45,000	1,518 m ²	1,086 m ²	19,995	21,707 m ³	81,689 m ³
4	45,000	1,518 m ²	1,086 m ²	19,995	21,707 m ³	81,689 m ³
5	64,995	0,654 m ²				

SCOTICO (SCOT)

Sezione	Distanza progressiva	Sviluppo	Sviluppo Media	Distanza parziale	Area	
					Parziale	Totale
1	0,000	0,250 m	0,125 m	20,000	2,500 m ²	2,500 m ²
2	20,000	0,000 m				
4	45,000	0,000 m	0,125 m	19,995	2,499 m ²	4,999 m ²
5	64,995	0,250 m				

COMPUTO DELLE QUANTITA'

Pagina: 3 / 5

STERRO (ST)

Sezione	Distanza progressiva	Area	Area Media	Distanza parziale	Volume	
					Parziale	Totale
1	0,000	1,582 m ²	4,235 m ²	20,000	84,706 m ³	84,706 m ³
2	20,000	6,889 m ²	6,755 m ²	12,498	84,421 m ³	169,127 m ³
2	20,000	6,889 m ²	5,827 m ²	12,502	72,850 m ³	241,977 m ³
3	32,498	6,620 m ²	3,305 m ²	19,995	66,078 m ³	308,055 m ³
3	32,498	6,620 m ²				
4	45,000	5,034 m ²				
4	45,000	5,034 m ²				
5	64,995	1,576 m ²				

COMPUTO DELLE QUANTITA'

Pagina: 4 / 5

TERRENO VEGETALE (TVEG)

Sezione	Distanza progressiva	Sviluppo	Sviluppo Media	Distanza parziale	Area	
					Parziale	Totale
1	0,000	0,862 m	0,688 m	20,000	13,768 m ²	13,768 m ²
2	20,000	0,515 m	0,514 m	12,498	6,430 m ²	20,198 m ²
2	20,000	0,515 m	0,514 m	12,498	6,430 m ²	20,198 m ²
3	32,498	0,514 m	0,431 m	12,502	5,394 m ²	25,592 m ²
3	32,498	0,514 m	0,431 m	12,502	5,394 m ²	25,592 m ²
4	45,000	0,349 m	0,433 m	19,995	8,660 m ²	34,252 m ²
4	45,000	0,349 m	0,433 m	19,995	8,660 m ²	34,252 m ²
5	64,995	0,518 m				

COMPUTO DELLE QUANTITA'

Pagina: 5 / 5

STRATI LEGATI (USURA)

Sezione	Distanza progressiva	Sviluppo	Sviluppo Media	Distanza parziale	Area	
					Parziale	Totale
1	0,000	0,500 m	2,250 m	20,000	45,000 m ²	45,000 m ²
2	20,000	4,000 m	4,000 m	12,498	49,992 m ²	94,992 m ²
2	20,000	4,000 m	4,000 m	12,502	50,008 m ²	145,000 m ²
3	32,498	4,000 m	4,000 m	19,995	44,989 m ²	189,989 m ²
3	32,498	4,000 m	4,000 m			
4	45,000	4,000 m				
4	45,000	4,000 m	2,250 m			
5	64,995	0,500 m				

P05

PIAZZOLA DI SOSTA ALLA PROGR.153+120 SUD

Codice	Descrizione	Quantità
FONDA	STRATO DI FONDAZIONE	76,327 m ³
GRAD	SCAVO A GRADONI	320,965 m ²
RI	RILEVATO	56,905 m ³
SCOT	SCOTICO	149,033 m ²
ST	STERRO	64,683 m ³
TVEG	TERRENO VEGETALE	205,521 m ²
USURA	STRATI LEGATI	189,660 m ²
CFT	COMPATTAZIONE FONDO TRINCEE	346,980 m ²

COMPUTO DELLE QUANTITA'

Pagina: 1 / 7

STRATO DI FONDAZIONE (FONDA)

Sezione	Distanza progressiva	Area	Area Media	Distanza parziale	Volume	
					Parziale	Totale
1	0,000	0,572 m ²	1,009 m ²	19,995	20,120 m ³	20,120 m ³
2	19,995	1,446 m ²	1,446 m ²	12,518	18,038 m ³	38,158 m ³
2	19,995	1,446 m ²	1,446 m ²	12,510	18,032 m ³	56,190 m ³
3	32,513	1,447 m ²	1,447 m ²	20,003	20,137 m ³	76,327 m ³
3	32,513	1,447 m ²	1,447 m ²			
4	45,023	1,447 m ²	1,009 m ²			
4	45,023	1,447 m ²				
5	65,026	0,572 m ²				

COMPUTO DELLE QUANTITA'

Pagina: 2 / 7

SCAVO A GRADONI (GRAD)

Sezione	Distanza progressiva	Sviluppo	Sviluppo Media	Distanza parziale	Area	
					Parziale	Totale
1	0,000	0,000 m				
2	19,995	6,825 m	3,413 m	19,995	68,087 m ²	68,087 m ²
2	19,995	6,825 m	6,704 m	12,518	83,557 m ²	151,644 m ²
3	32,513	6,583 m				
3	32,513	6,583 m	6,402 m	12,510	79,754 m ²	231,398 m ²
4	45,023	6,221 m				
4	45,023	6,221 m	4,491 m	20,003	89,567 m ²	320,965 m ²
5	65,026	2,761 m				

					RILEVATO (RI)	
Sezione	Distanza progressiva	Area	Area Media	Distanza parziale	Volume	
					Parziale	Totale
1	0,000	0,000 m ²	0,646 m ²	19,995	12,878 m ³	12,878 m ³
2	19,995	1,293 m ²	1,184 m ²	12,518	14,719 m ³	27,597 m ³
2	19,995	1,293 m ²	1,170 m ²	12,510	14,549 m ³	42,146 m ³
3	32,513	1,075 m ²	0,741 m ²	20,003	14,759 m ³	56,905 m ³
3	32,513	1,075 m ²				
4	45,023	1,265 m ²				
4	45,023	1,265 m ²				
5	65,026	0,217 m ²				

COMPUTO DELLE QUANTITA'

Pagina: 4 / 7

SCOTICO (SCOT)

Sezione	Distanza progressiva	Sviluppo	Sviluppo Media	Distanza parziale	Area	
					Parziale	Totale
1	0,000	0,000 m				
2	19,995	2,879 m	1,440 m	19,995	28,686 m ²	28,686 m ²
2	19,995	0,000 m				
Sx	32,513	0,250 m	0,125 m	12,518	1,560 m ²	30,246 m ²
3	19,995	2,879 m				
Dx	32,513	3,086 m	2,983 m	12,518	37,074 m ²	67,320 m ²
3	32,513	0,250 m				
Sx	45,023	0,000 m	0,125 m	12,510	1,560 m ²	68,880 m ²
4	32,513	3,086 m				
Dx	45,023	3,416 m	3,251 m	12,510	40,409 m ²	109,289 m ²
4	45,023	3,416 m				
4	45,023	3,416 m	1,996 m	20,003	39,744 m ²	149,033 m ²
5	65,026	0,576 m				

COMPUTO DELLE QUANTITA'

Pagina: 5 / 7

STERRO (ST)

Sezione	Distanza progressiva	Area	Area Media	Distanza parziale	Volume	
					Parziale	Totale
1	0,000	0,765 m ²	1,019 m ²	19,995	20,354 m ³	20,354 m ³
2	19,995	1,274 m ²	1,202 m ²	12,518	15,024 m ³	35,378 m ³
2	19,995	1,274 m ²	1,034 m ²	12,510	12,914 m ³	48,292 m ³
3	32,513	1,131 m ²	0,820 m ²	20,003	16,391 m ³	64,683 m ³
3	32,513	1,131 m ²				
4	45,023	0,937 m ²				
4	45,023	0,937 m ²				
5	65,026	0,704 m ²				

TERRENO VEGETALE (TVEG)

Sezione	Distanza progressiva	Sviluppo	Sviluppo Media	Distanza parziale	Area	
					Parziale	Totale
1	0,000	2,725 m				
			3,235 m	19,995	64,371 m ²	64,371 m ²
2	19,995	3,745 m				
			3,569 m	12,518	44,345 m ²	108,716 m ²
3	32,513	3,392 m				
			3,110 m	12,510	38,635 m ²	147,351 m ²
4	45,023	2,829 m				
			2,922 m	20,003	58,170 m ²	205,521 m ²
5	65,026	3,015 m				

STRATI LEGATI (USURA)

Sezione	Distanza progressiva	Sviluppo	Sviluppo Media	Distanza parziale	Area	
					Parziale	Totale
1	0,000	0,500 m				
			2,248 m	19,995	44,889 m ²	44,889 m ²
2	19,995	3,997 m				
2	19,995	3,997 m	3,998 m	12,518	49,920 m ²	94,809 m ²
3	32,513	4,000 m				
3	32,513	4,000 m	4,000 m	12,510	49,910 m ²	144,719 m ²
4	45,023	4,000 m				
4	45,023	4,000 m	2,250 m	20,003	44,941 m ²	189,660 m ²
5	65,026	0,500 m				

PROGETTO ESECUTIVO

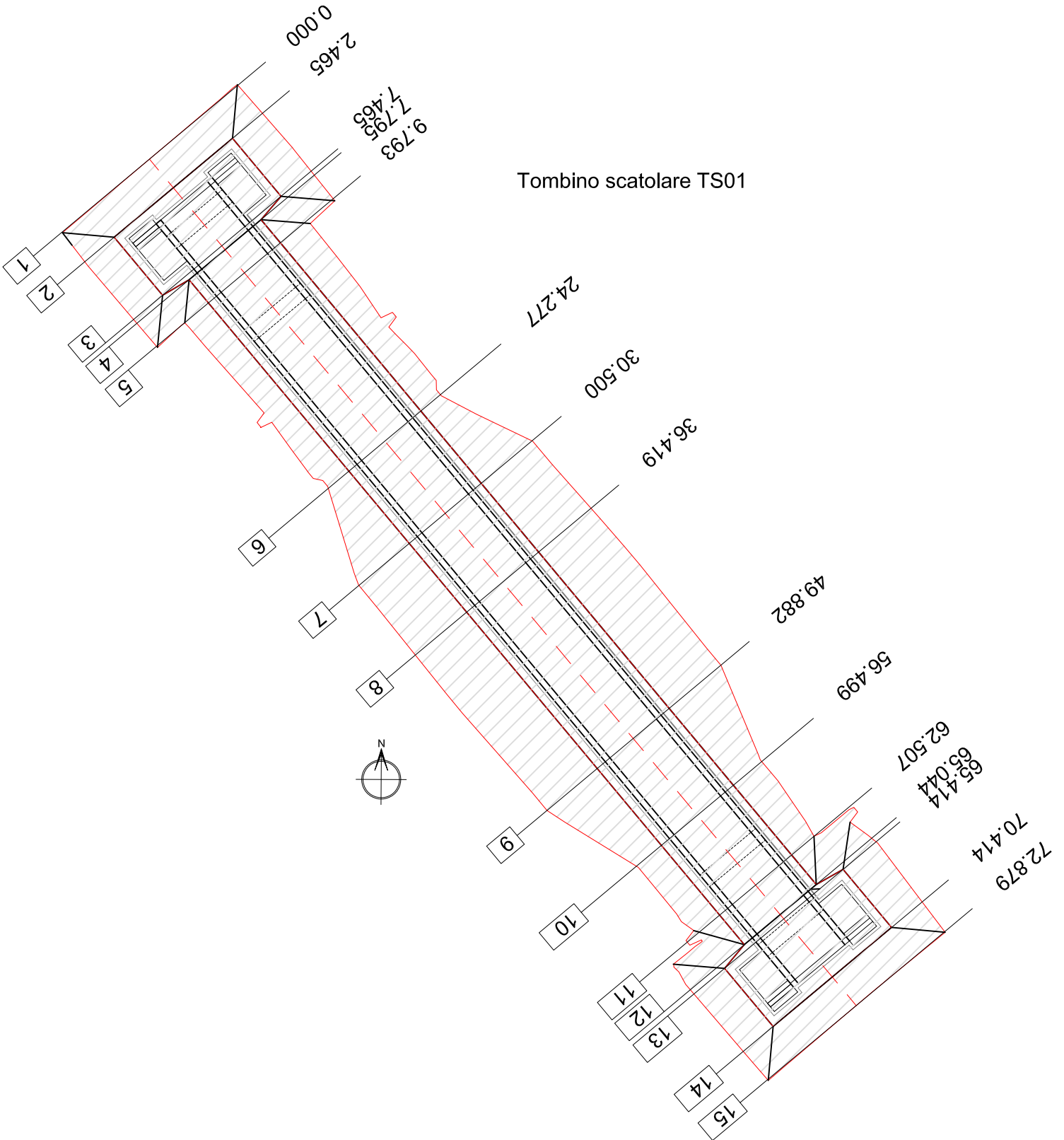
S.S. 131 di "Carlo Felice"
Adeguamento e messa in sicurezza della S.S.131
Risoluzione dei nodi critici – 2° stralcio
Dal km 108+300 al km 158+000

TABELLE RIEPILOGATIVE MOVIMENTI DI TERRA TOMBINI SCATOLARI

**TOMBINI
SCATOLARI**

TOMBINO SCATOLARE TS.01

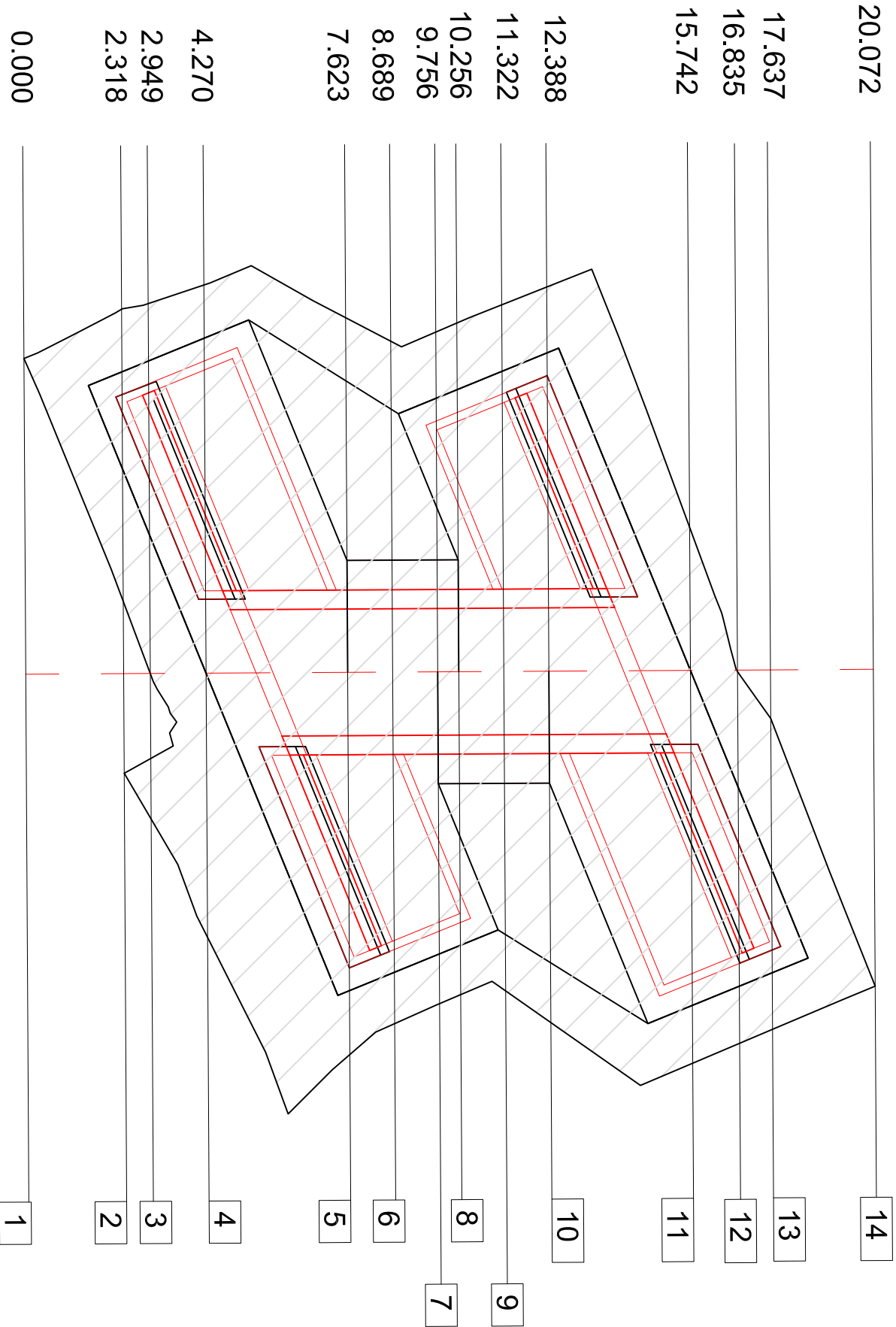
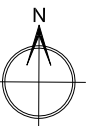
Tombino scatolare TS01



Sezione	Distanze Progressive	Area	Area Media	Distanze Parziale	VOLUMI	
					Parziale	Totale
1	0.000	0.198	15.902	2.465	39.20	39.20
2	2.465	31.605	32.358	5.000	161.79	200.99
2	2.465	31.605	28.800	0.330	9.50	210.49
3	7.465	33.110	22.268	1.999	44.51	255.00
3	7.465	33.110	16.841	14.484	243.93	498.93
4	7.795	24.491	29.859	6.223	185.82	684.75
4	7.795	24.491	46.898	5.919	277.59	962.34
5	9.793	20.045	47.093	13.463	634.01	1596.35
5	9.793	20.045	32.912	6.617	217.79	1814.14
6	24.277	13.637	19.311	6.008	116.02	1930.16
6	24.277	13.637	24.803	2.536	62.90	1993.06
7	30.500	46.082	32.453	0.370	12.01	2005.07
7	30.500	46.082	33.532	5.000	167.66	2172.73
8	36.419	47.714	16.423	2.466	40.50	2213.23
8	36.419	47.714	0.352			
9	49.882	46.472				
9	49.882	46.472				
10	56.499	19.353				
10	56.499	19.353				
11	62.507	19.268				
11	62.507	19.268				
12	65.044	30.338				
12	65.044	30.338				
13	65.414	34.569				
13	65.414	34.569				
14	70.414	32.494				
14	70.414	32.494				
15	72.879	0.352				
Totale						2213.23

TOMBINO SCATOLARE TS.04

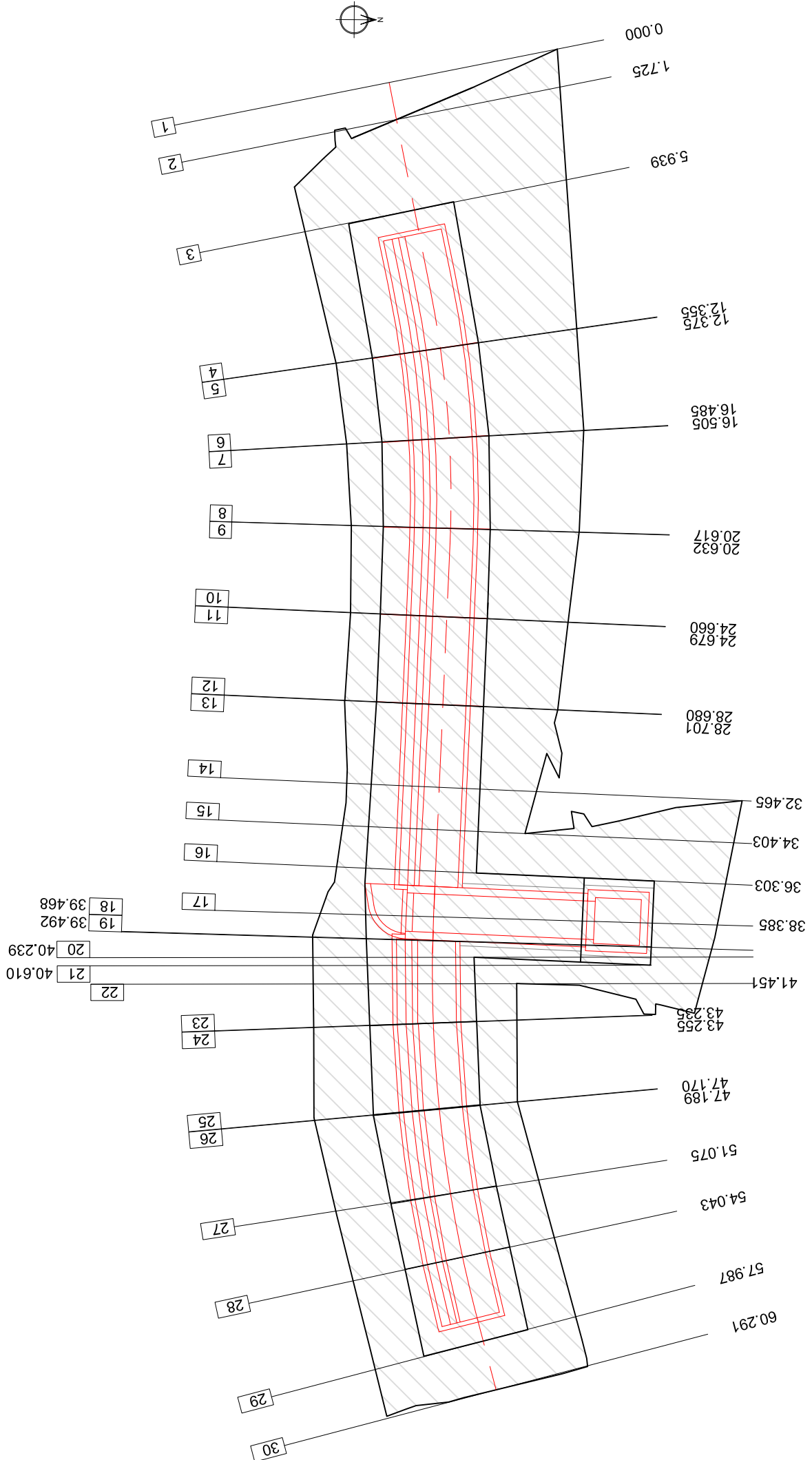
Tombino scatolare TS04



Sezione	Distanze Progressive	Area	Area Media	Distanze Parziale	VOLUMI	
					Parziale	Totale
1	0.000	0.000	2.775	2.318	6.43	6.43
2	2.318	5.551	6.891	0.631	4.35	10.78
2	2.318	5.551	11.650	1.321	15.39	26.17
3	2.949	8.231	17.602	3.353	59.02	85.19
3	2.949	8.231	19.348	1.066	20.62	105.81
4	4.270	15.069	18.537	1.067	19.78	125.59
4	4.270	15.069	18.579	0.500	9.29	134.88
5	7.623	20.135	19.027	1.066	20.28	155.16
5	7.623	20.135	20.283	1.066	21.62	176.78
6	8.689	18.561	17.086	3.353	57.29	234.07
6	8.689	18.561	11.021	1.093	12.05	246.12
7	9.756	18.512	7.609	0.802	6.10	252.22
7	9.756	18.512	3.095	2.436	7.54	259.76
8	10.256	18.646				
8	10.256	18.646				
9	11.322	19.408				
9	11.322	19.408				
10	12.388	21.159				
10	12.388	21.159				
11	15.742	13.014				
11	15.742	13.014				
12	16.835	9.028				
12	16.835	9.028				
13	17.637	6.190				
13	17.637	6.190				
14	20.072	0.000				
Totale						259.76

TOMBINO SCATOLARE TS.05

Tombino scatorale TS05



Tomino scatolare TS05

COMPUTO DEI VOLUMI

Ri .to Dis.:

Pagina Nr.

1

STERRO

U.Misura :

mc

Sezione	Distanze Progressive	Area	Area Media	Distanze Parziali	VOLUMI	
					Parziale	Totale
1	0.000	0.000	2.146	1.725	3.70	3.70
2	1.725	4.292	17.049	4.214	71.84	75.54
2	1.725	4.292	25.446	6.417	163.29	238.83
3	5.939	29.805	22.900	0.020	0.46	239.29
3	5.939	29.805	22.188	4.110	91.19	330.48
4	12.355	21.087	21.415	0.020	0.43	330.91
4	12.355	21.087	20.966	4.112	86.21	417.12
5	12.375	24.712	20.716	0.015	0.31	417.43
5	12.375	24.712	18.463	4.028	74.37	491.80
6	16.485	19.664	16.038	0.019	0.30	492.10
6	16.485	19.664	14.917	4.001	59.69	551.79
7	16.505	23.166	13.903	0.021	0.29	552.08
7	16.505	23.166	13.154	3.764	49.51	601.59
8	20.617	18.766	12.855	1.938	24.91	626.50
8	20.617	18.766	20.618	1.900	39.18	665.68
9	20.632	22.667	24.360	2.082	50.72	716.40
9	20.632	22.667	22.240	1.083	24.09	740.49
10	24.660	14.259	23.896	0.024	0.57	741.06
10	24.660	14.259				
11	24.679	17.817				
11	24.679	17.817				
12	28.680	12.018				
12	28.680	12.018				
13	28.701	15.789				
13	28.701	15.789				
14	32.465	10.519				
14	32.465	10.519				
15	34.403	15.191				
15	34.403	15.191				
16	36.303	26.046				
16	36.303	26.046				
17	38.385	22.674				
17	38.385	22.674				
18	39.468	21.807				
18	39.468	21.807				
19	39.492	25.986				

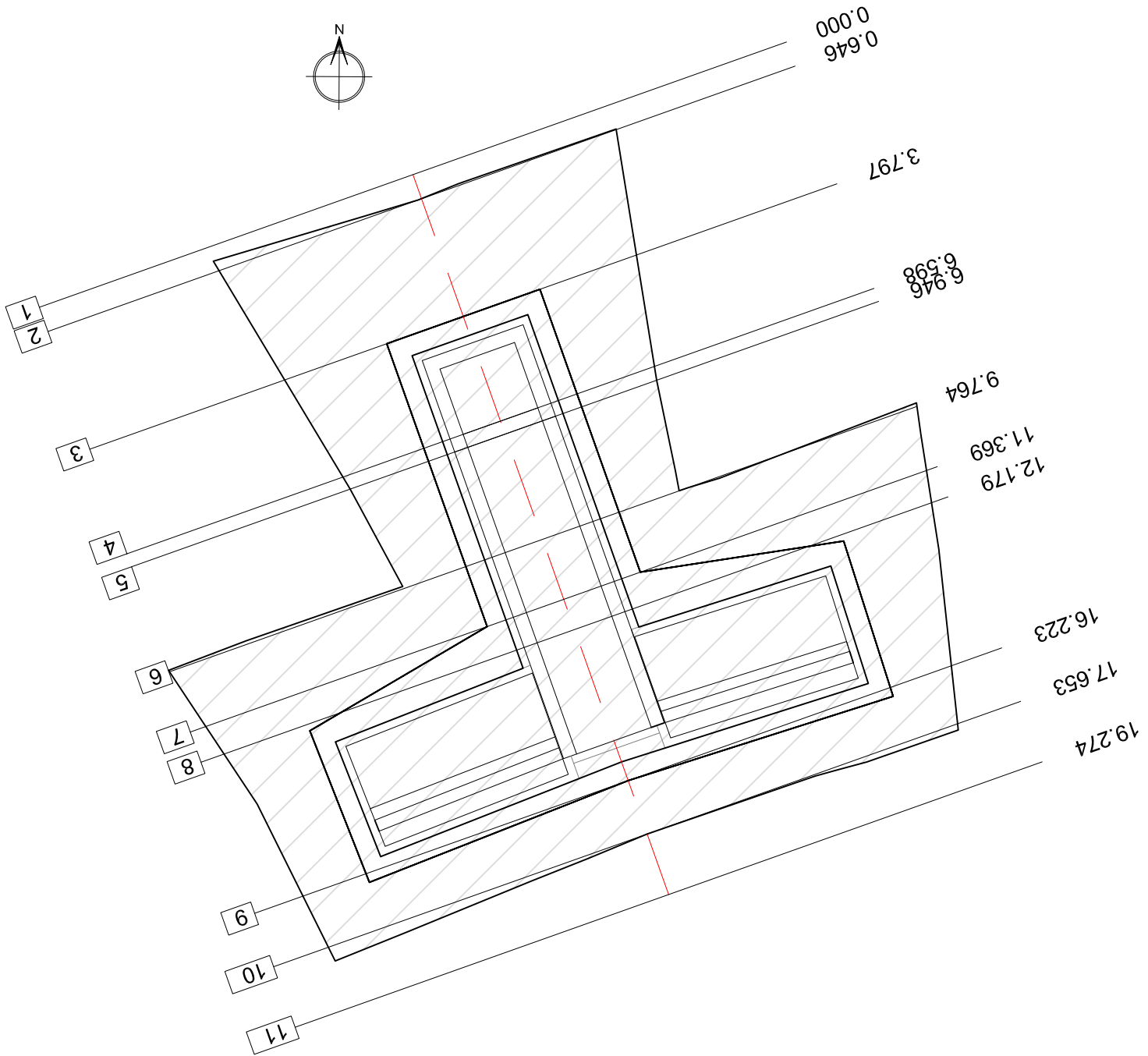
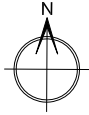
A Riportare

741.06

Sezione	Distanze Progressive	Area	Area Media	Distanze Parziale	VOLUMI	
					Parziale	Totale
19	39.492	25.986	25.687	0.747	19.19	760.25
20	40.239	25.387	24.801	0.372	9.23	769.48
21	40.610	24.215	20.156	0.841	16.95	786.43
22	41.451	16.096	13.720	1.784	24.48	810.91
23	43.235	11.343	12.676	0.020	0.25	811.16
24	43.255	14.009	13.507	3.915	52.88	864.04
25	47.170	13.005	14.378	0.019	0.27	864.31
26	47.189	15.752	15.172	3.886	58.96	923.27
27	51.075	14.591	14.922	2.967	44.27	967.54
28	54.043	15.253	15.691	3.945	61.90	1029.44
29	57.987	16.128	8.139	2.304	18.75	1048.19
30	60.291	0.149				
Totale						1048.19

TOMBINO SCATOLARE TS.06

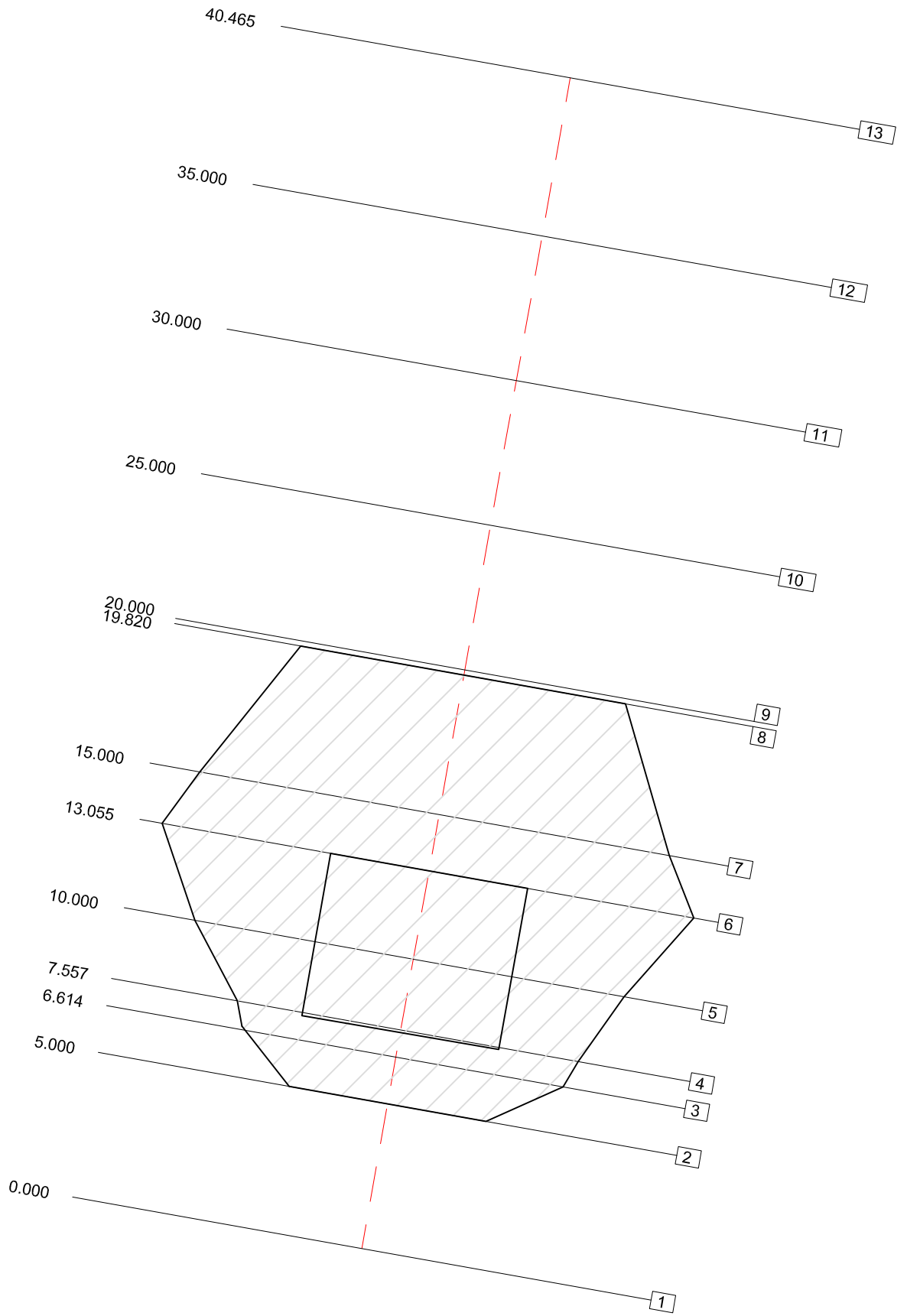
Tombino scatolare TS06



Tomino scatolare TS06						
COMPUTO DEI VOLUMI				Ri .to Dis.:	Pagina Nr. 1	
STERRO				U.Misura :		mc
Sezione	Distanze Progressive	Area	Area Media	Distanze Parziale	VOLUMI	
					Parziale	Totale
1	0.000	0.000	0.338	0.646	0.22	0.22
2	0.646	0.676	9.090	3.152	28.65	28.87
2	0.646	0.676	15.111	2.800	42.31	71.18
3	3.797	17.503	12.440	0.348	4.33	75.51
3	3.797	17.503	10.770	2.818	30.35	105.86
4	6.598	12.718	16.719	1.605	26.84	132.70
4	6.598	12.718	29.013	0.810	23.50	156.20
5	6.946	12.161	29.497	4.044	119.29	275.49
5	6.946	12.161	13.712	1.430	19.61	295.10
6	9.764	9.378	1.198	1.621	1.94	297.04
6	9.764	9.378				
7	11.369	24.061				
7	11.369	24.061				
8	12.179	33.966				
8	12.179	33.966				
9	16.223	25.028				
9	16.223	25.028				
10	17.653	2.395				
10	17.653	2.395				
11	19.274	0.000				
					Totale	297.04

TOMBINO SCATOLARE TS.07

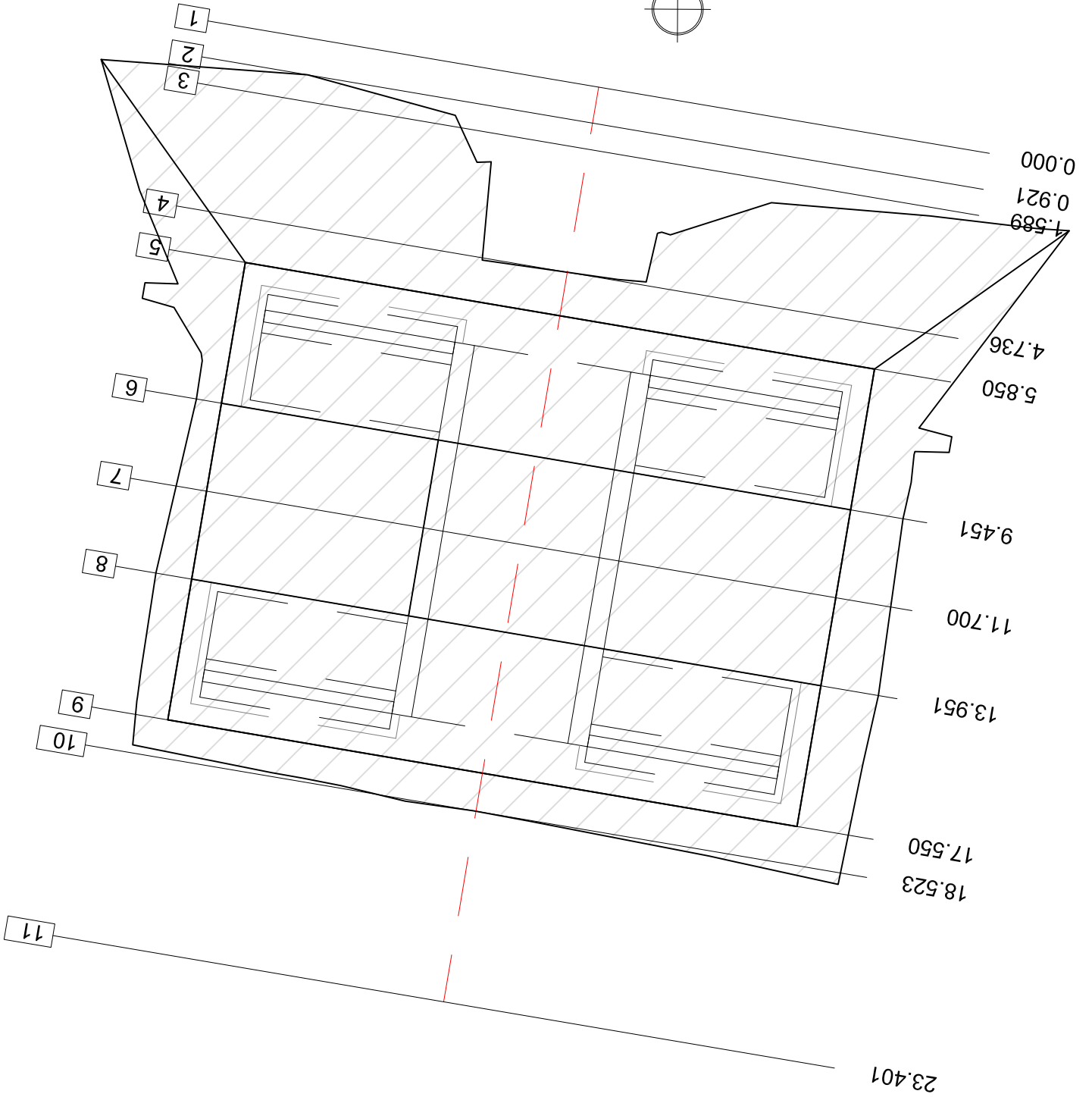
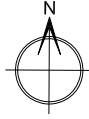
Tombino scatolare TS07



Sezione	Distanze Progressive	Area	Area Media	Distanze Parziale	VOLUMI	
					Parziale	Totale
2	5.000	0.000	2.806	1.614	4.53	4.53
3	6.614	5.612	9.493	0.943	8.95	13.48
3	6.614	5.612	20.815	2.443	50.85	64.33
4	7.557	13.374	48.188	3.055	147.22	211.55
4	7.557	13.374	60.586	1.945	117.84	329.39
5	10.000	28.257	36.595	4.820	176.39	505.78
5	10.000	28.257	10.069	0.180	1.81	507.59
6	13.055	68.120				
6	13.055	68.120				
7	15.000	53.053				
7	15.000	53.053				
8	19.820	20.138				
8	19.820	20.138				
9	20.000	0.000				
					Totale	507.59

TOMBINO SCATOLARE TS.08

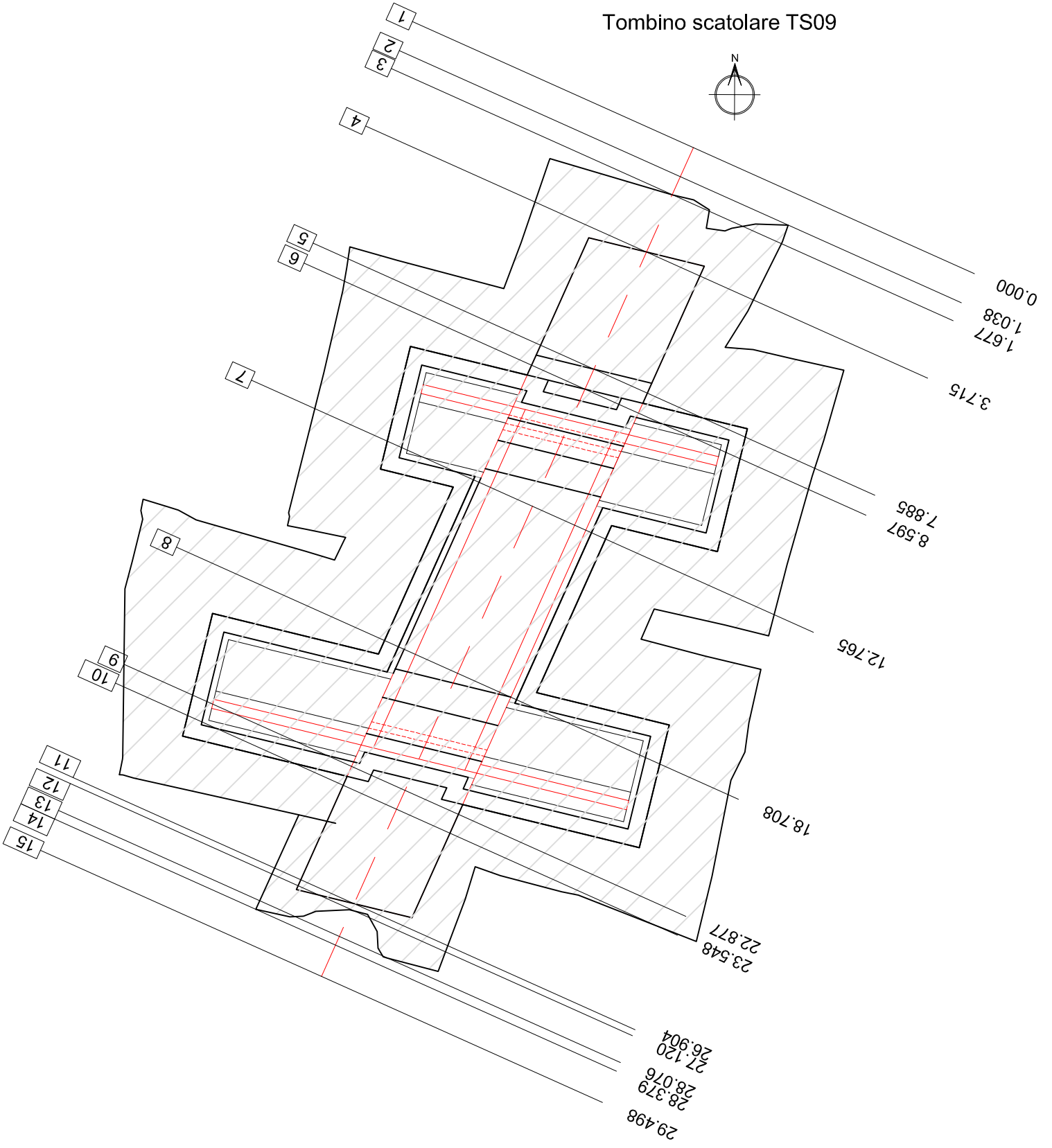
Tombino scatolare TS08



Sezione	Distanze Progressive	Area	Area Media	Distanze Parziale	VOLUMI		
					Parziale	Totale	
2	0.921	0.000	0.897	0.668	0.60	0.60	
3	1.589	1.795	11.347	3.147	35.71	36.31	
3	1.589	1.795	25.636	1.114	28.56	64.87	
4	4.736	20.898	22.903	3.601	82.47	147.34	
4	4.736	20.898	16.438	2.249	36.97	184.31	
5	5.850	30.374	18.462	2.251	41.56	225.87	
5	5.850	30.374	18.455	3.599	66.42	292.29	
6	9.451	15.432	9.290	0.973	9.04	301.33	
6	9.451	15.432	0.575	4.877	2.80	304.13	
7	11.700	17.444					
7	11.700	17.444					
8	13.951	19.480					
8	13.951	19.480					
9	17.550	17.431					
9	17.550	17.431					
10	18.523	1.150					
10	18.523	1.150					
11	23.401	0.000					
						Totale	304.13

TOMBINO SCATOLARE TS.09

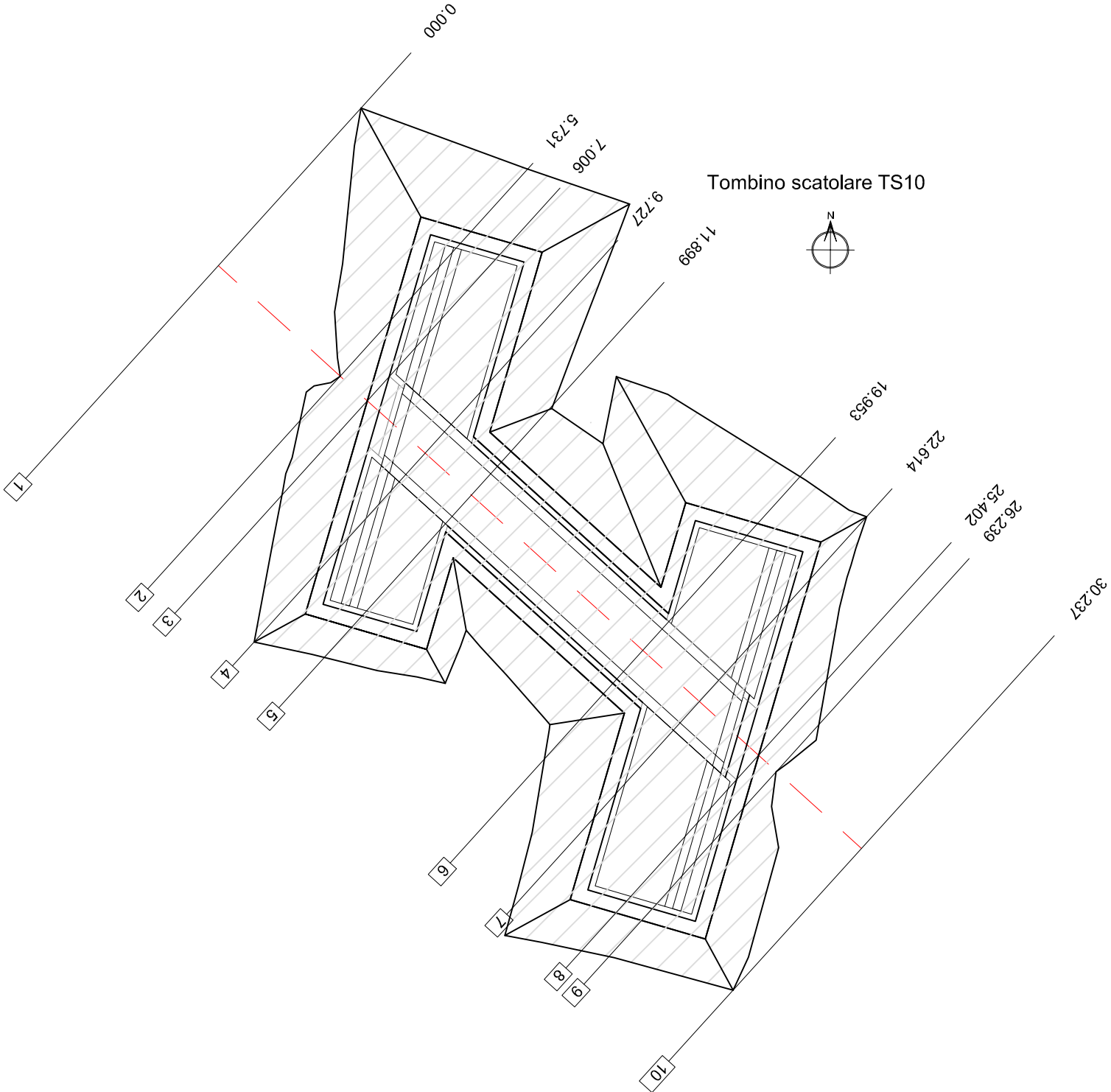
Tombino scatolare TS09



Sezione	Distanze Progressive	Area	Area Media	Distanze Parziale	VOLUMI	
					Parziale	Totale
2	1.038	0.000	0.206	0.638	0.13	0.13
3	1.677	0.412	4.808	2.038	9.80	9.93
3	1.677	0.412	15.725	4.170	65.57	75.50
4	3.715	9.204	25.354	0.712	18.05	93.55
4	3.715	9.204	28.858	4.168	120.28	213.83
5	7.885	22.246	35.078	5.943	208.47	422.30
5	7.885	22.246	34.326	4.169	143.11	565.41
6	8.597	28.463	23.193	0.671	15.56	580.97
6	8.597	28.463	11.130	3.356	37.35	618.32
7	12.765	29.254	3.301	0.216	0.71	619.03
7	12.765	29.254	1.575	0.956	1.51	620.54
8	18.708	40.902	0.087	0.303	0.03	620.57
8	18.708	40.902				
9	22.877	27.750				
9	22.877	27.750				
10	23.548	18.635				
10	23.548	18.635				
11	26.904	3.625				
11	26.904	3.625				
12	27.120	2.978				
12	27.120	2.978				
13	28.076	0.173				
13	28.076	0.173				
14	28.379	0.000				
					Totale	620.57

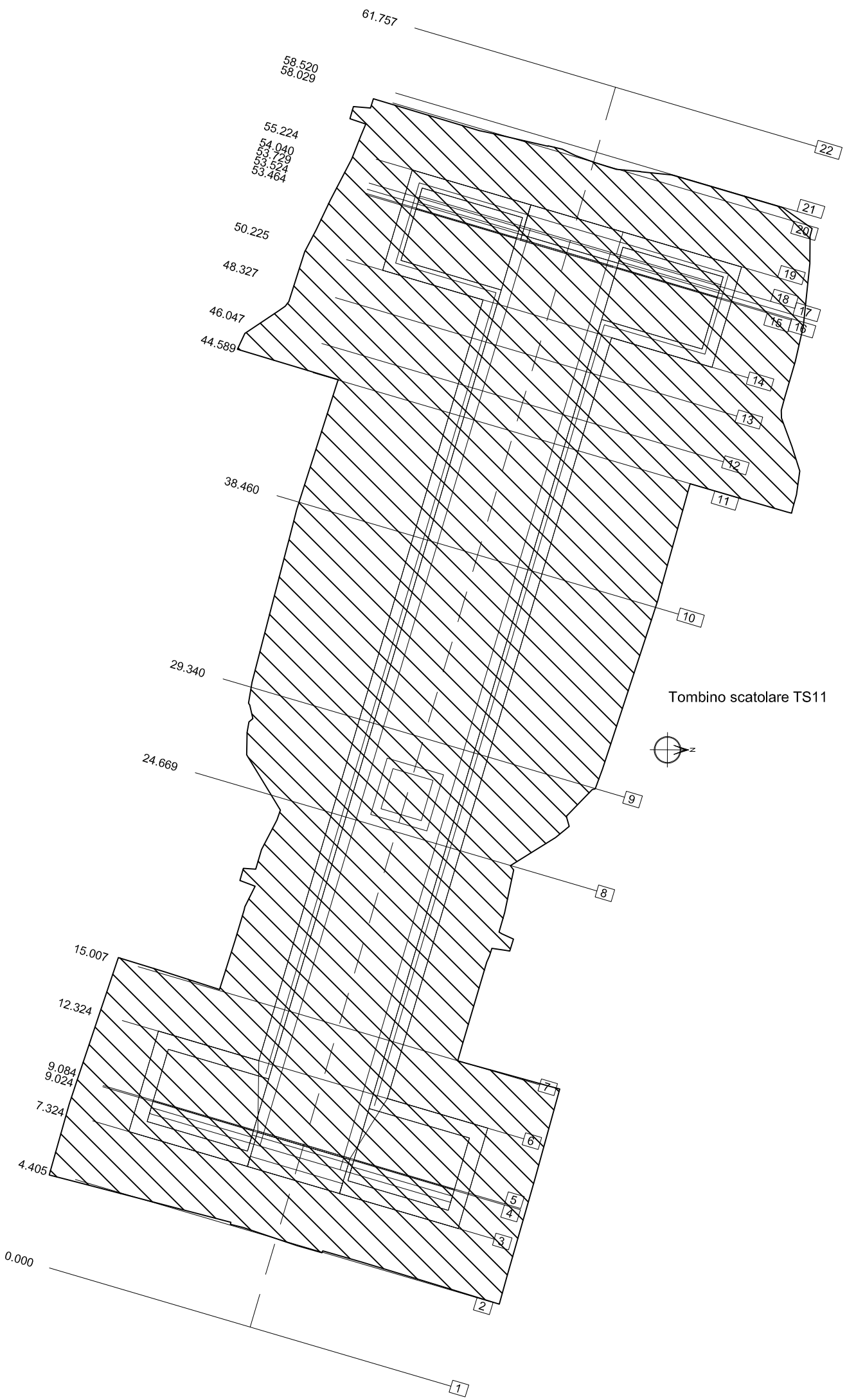
TOMBINO SCATOLARE TS.10

Tombino scatolare TS10



Sezione	Distanze Progressive	Area	Area Media	Distanze Parziale	VOLUMI	
					Parziale	Totale
1	0.000	0.000	8.241	5.731	47.23	47.23
2	5.731	16.482	19.437	1.275	24.78	72.01
2	5.731	16.482	23.500	2.721	63.94	135.95
3	7.006	22.391	19.460	2.172	42.27	178.22
3	7.006	22.391	17.552	8.054	141.36	319.58
4	9.727	24.609	23.633	2.661	62.89	382.47
4	9.727	24.609	21.508	2.788	59.97	442.44
5	11.899	14.312	14.386	0.837	12.04	454.48
5	11.899	14.312	6.114	3.998	24.44	478.92
6	19.953	20.792				
6	19.953	20.792				
7	22.614	26.473				
7	22.614	26.473				
8	25.402	16.544				
8	25.402	16.544				
9	26.239	12.228				
9	26.239	12.228				
10	30.237	0.000				
					Totale	478.92

TOMBINO SCATOLARE TS.11



Tombino scatolare TS11



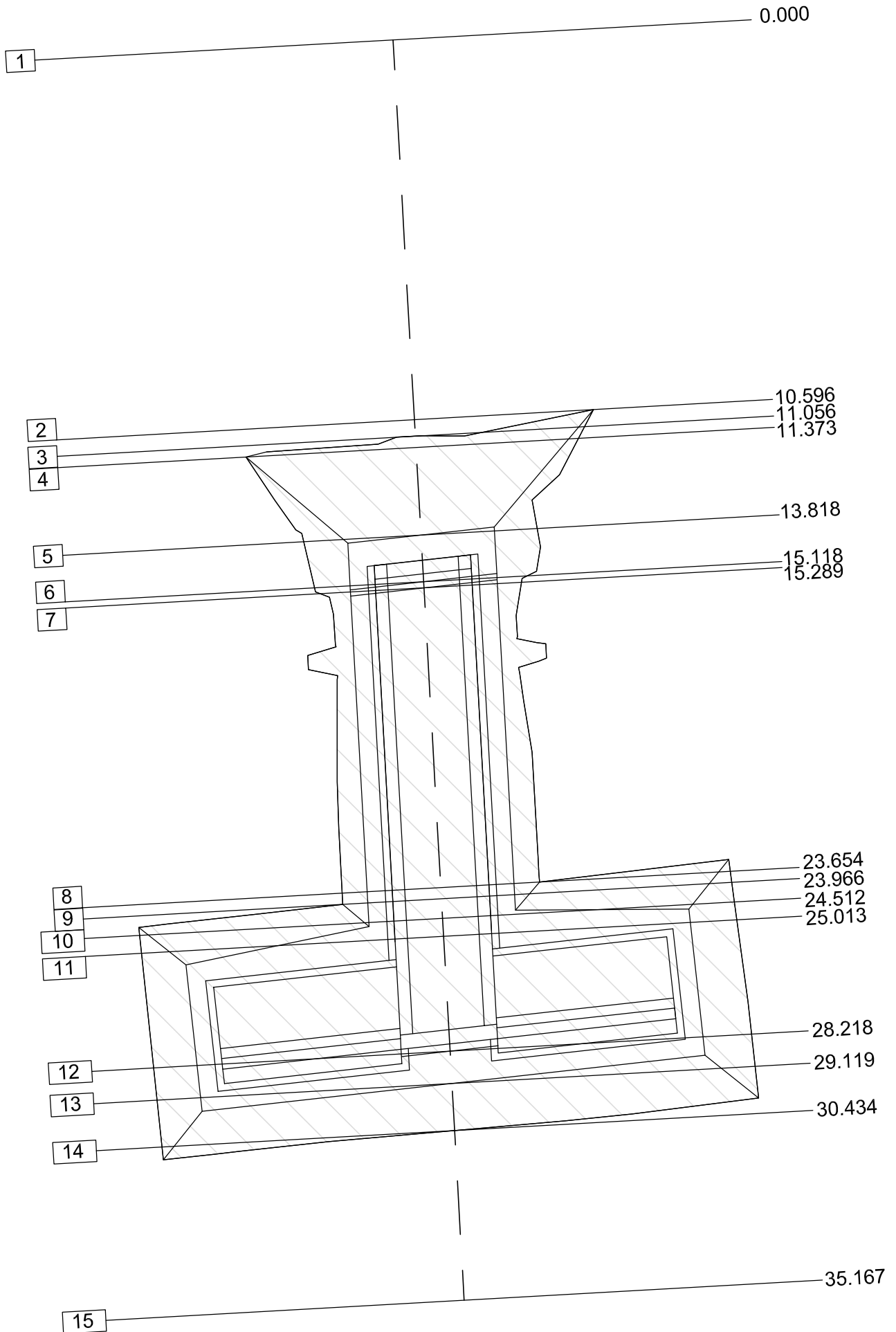
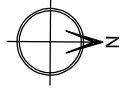
Sezione	Distanze Progressive	Area	Area Media	Distanze Parziale	VOLUMI	
					Parziale	Totale
1	0.000	0.000	0.195	4.405	0.86	0.86
2	4.405	0.389	27.951	2.919	81.59	82.45
2	4.405	0.389	55.313	1.700	94.03	176.48
3	7.324	55.514	54.863	0.060	3.29	179.77
3	7.324	55.514	53.827	3.240	174.40	354.17
4	9.024	55.112	39.200	2.683	105.17	459.34
4	9.024	55.112	25.004	9.662	241.59	700.93
5	9.084	54.613	43.992	4.671	205.49	906.42
5	9.084	54.613	66.021	9.120	602.12	1508.54
6	12.324	53.040	67.780	6.129	415.42	1923.96
6	12.324	53.040	70.735	1.458	103.13	2027.09
7	15.007	25.359	68.546	2.280	156.29	2183.38
7	15.007	25.359	69.833	1.898	132.54	2315.92
8	24.669	24.648	77.191	3.239	232.35	2548.27
8	24.669	24.648	66.277	0.060	3.98	2552.25
9	29.340	63.336	66.476	0.205	13.54	2565.79
9	29.340	63.336	65.602	0.311	20.11	2585.90
10	38.460	68.707	64.669	0.311	20.11	2585.90
10	38.460	68.707	60.324	1.184	71.42	2657.32
11	44.589	66.853	55.224	56.912		
11	44.589	66.853				
12	46.047	74.617				
12	46.047	74.617				
13	48.327	62.476				
13	48.327	62.476				
14	50.225	77.191				
14	50.225	77.191				
15	53.464	66.277				
15	53.464	66.277				
16	53.524	66.476				
16	53.524	66.476				
17	53.729	65.602				
17	53.729	65.602				
18	54.040	63.736				
18	54.040	63.736				
19	55.224	56.912				
Totale						2657.32

Sezione	Distanze Progressive	Area	Area Media	Distanze Parziale	VOLUMI		
					Parziale	Totale	
19	55.224	56.912	30.173	2.805	84.64	2741.96	
20	58.029	3.435					
20	58.029	3.435	1.717	0.490	0.84	2742.80	
21	58.520	0.000					
						Totale	2742.80

**TOMBINO SCATOLARE TS.12
CARREGGIATA NORD**

Tombino scatolare TS12

Carreggiata Nord

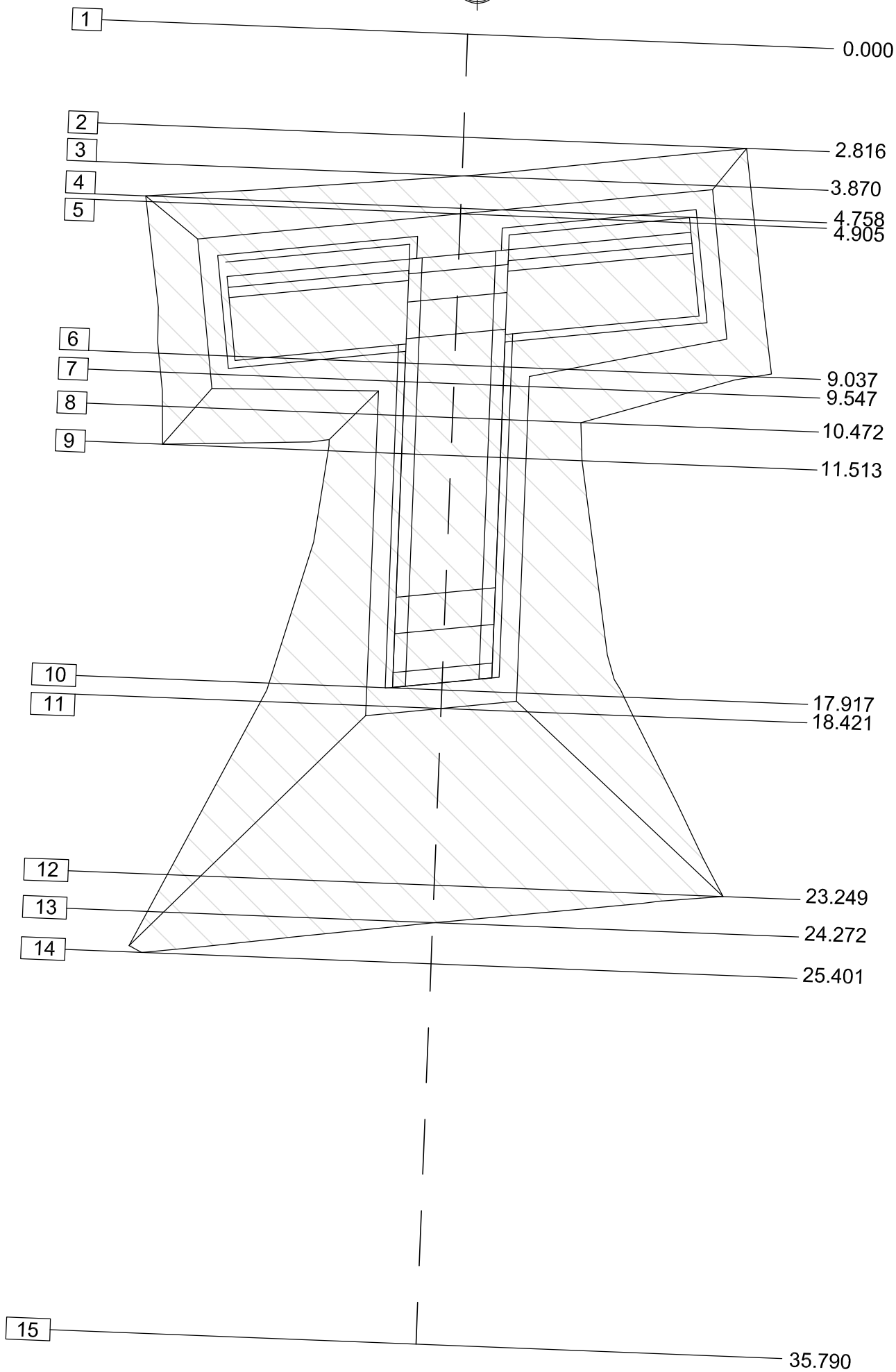
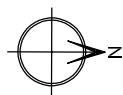


Sezione	Distanze Progressive	Area	Area Media	Distanze Parziale	VOLUMI	
					Parziale	Totale
2	10.596	0.000	0.117	0.460	0.05	0.05
3	11.056	0.234	0.613	0.316	0.19	0.24
3	11.056	0.234	2.983	2.445	7.30	7.54
4	11.373	0.992	4.457	1.300	5.79	13.33
4	11.373	0.992	3.406	0.171	0.58	13.91
5	13.818	4.975	3.552	8.365	29.72	43.63
5	13.818	4.975	5.046	0.312	1.57	45.20
6	15.118	3.939	8.529	0.546	4.66	49.86
6	15.118	3.939	14.271	0.501	7.15	57.01
7	15.289	2.873	18.510	3.205	59.33	116.34
7	15.289	2.873	19.059	0.901	17.17	133.51
8	23.654	4.232	9.824	1.315	12.92	146.43
8	23.654	4.232	0.603	4.734	2.85	149.28
9	23.966	5.860				
9	23.966	5.860				
10	24.512	11.197				
10	24.512	11.197				
11	25.013	17.345				
11	25.013	17.345				
12	28.218	19.676				
12	28.218	19.676				
13	29.119	18.443				
13	29.119	18.443				
14	30.434	1.205				
14	30.434	1.205				
15	35.167	0.000				
Totale						149.28

**TOMBINO SCATOLARE TS.12
CARREGGIATA SUD**

Tombino scatolare TS12

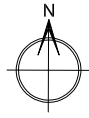
Carreggiata Sud



Sezione	Distanze Progressive	Area	Area Media	Distanze Parziale	VOLUMI	
					Parziale	Totale
2	2.816	0.000	1.841	1.053	1.94	1.94
3	3.870	3.683	7.534	0.888	6.69	8.63
3	3.870	3.683	12.067	0.147	1.77	10.40
4	4.758	11.384	15.001	4.132	61.98	72.38
4	4.758	11.384	15.924	0.510	8.12	80.50
5	4.905	12.749	12.423	0.925	11.49	91.99
5	4.905	12.749	8.569	1.040	8.91	100.90
6	9.037	17.252	11.513	6.404	82.75	183.65
6	9.037	17.252	20.024	0.504	10.09	193.74
7	9.547	14.596	13.983	4.828	67.51	261.25
7	9.547	14.596	4.356	1.023	4.46	265.71
8	10.472	10.249	24.272	1.842	1.04	266.75
8	10.472	10.249	0.921	1.129		
9	11.513	6.890				
9	11.513	6.890				
10	17.917	18.952				
10	17.917	18.952				
11	18.421	21.096				
11	18.421	21.096				
12	23.249	6.870				
12	23.249	6.870				
13	24.272	1.842				
13	24.272	1.842				
14	25.401	0.000				
Totale						266.75

**TOMBINO SCATOLARE TS.13
CARREGGIATA NORD**

Tombino scatolare TS13 Carreggiata Nord



28.184

26.142
25.556

23.531

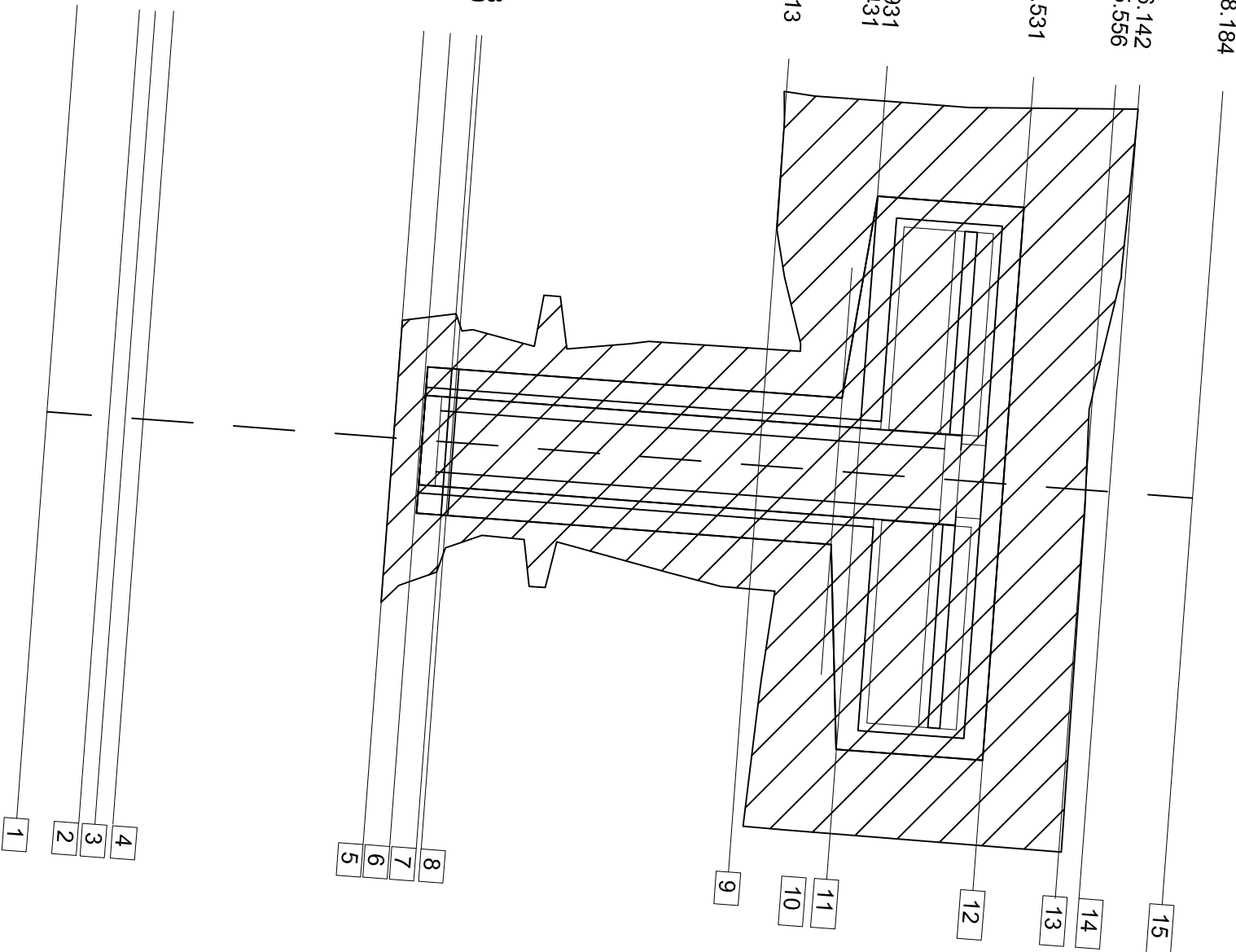
19.931
19.431

17.513

9.953
9.780
9.180
8.527

2.367
1.924
1.529

0.000



15

14

13

12

11

10

9

8

7

6

5

4

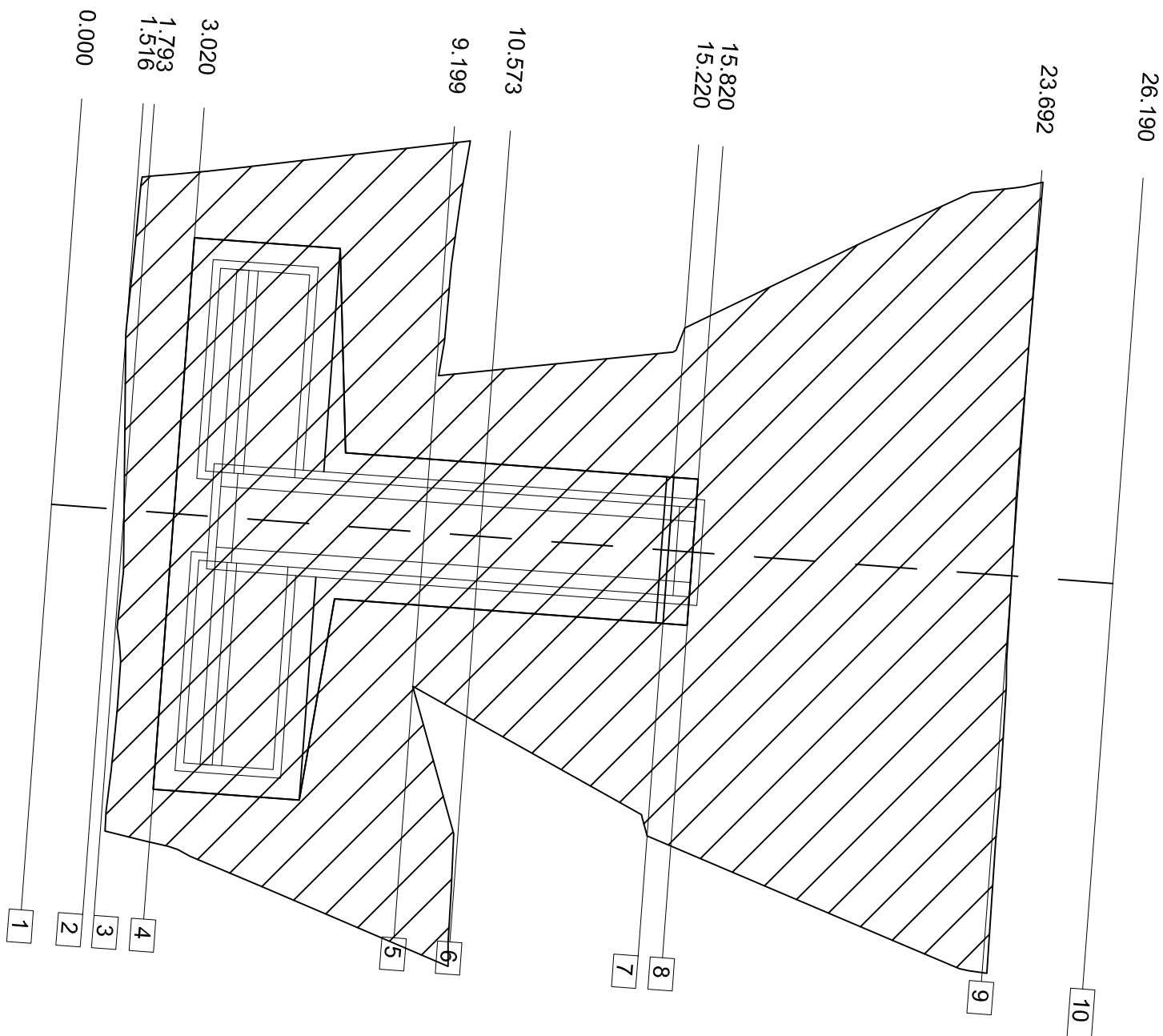
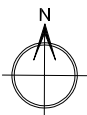
3

2

1

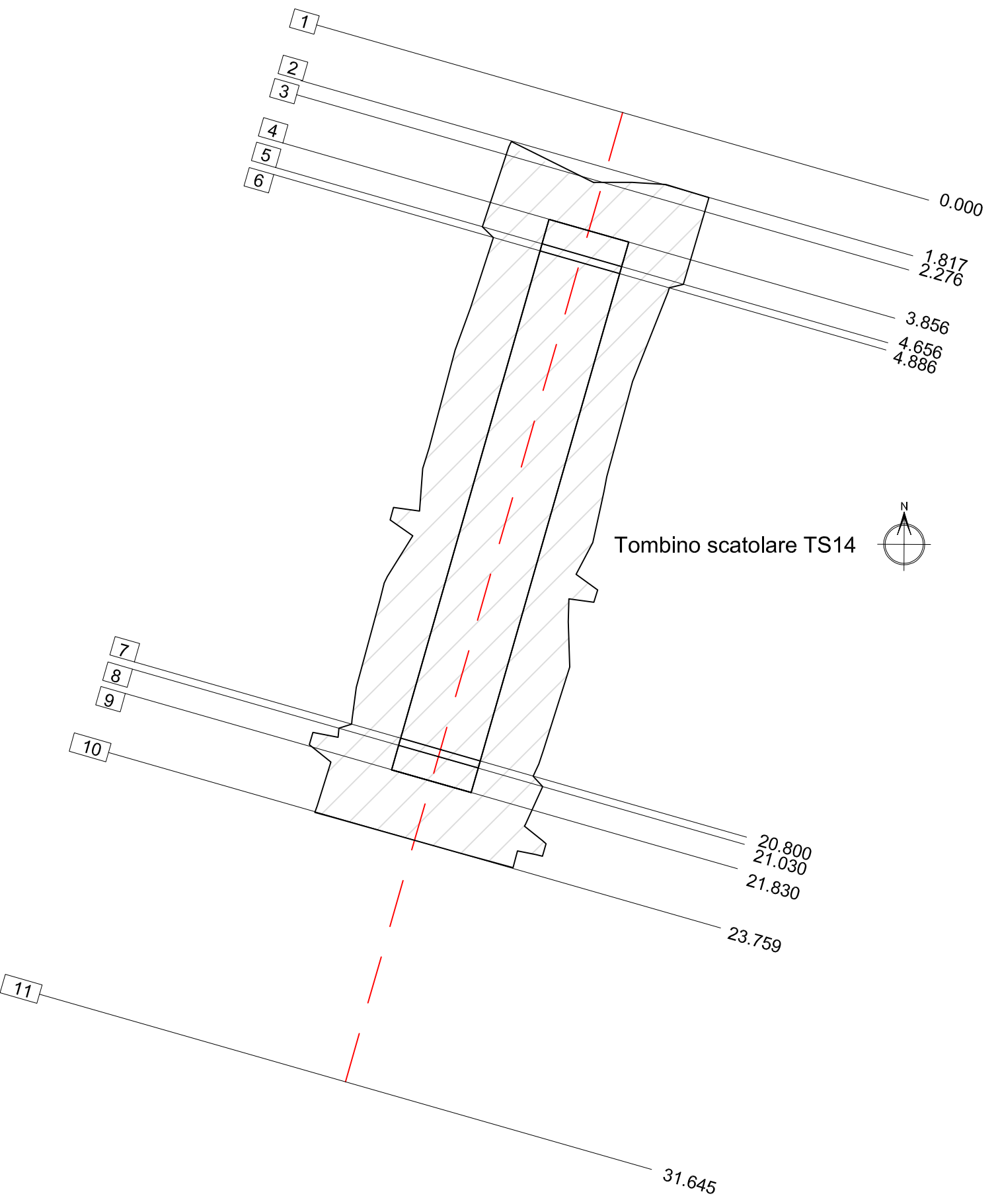
**TOMBINO SCATOLARE TS.13
CARREGGIATA SUD**

Tombino scatolare TS13
Carreggiata Sud

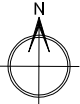


Sezione	Distanze Progressive	Area	Area Media	Distanze Parziale	VOLUMI	
					Parziale	Totale
2	1.516	0.000	0.571	0.277	0.16	0.16
3	1.793	1.142	7.855	1.227	9.64	9.80
3	1.793	1.142	13.272	6.179	82.01	91.81
4	3.020	14.567	11.442	1.374	15.72	107.53
4	3.020	14.567	16.562	4.646	76.95	184.48
5	9.199	11.976	23.246	0.600	13.95	198.43
5	9.199	11.976	12.401	7.872	97.63	296.06
6	10.573	10.907	0.263	2.498	0.66	296.72
6	10.573	10.907				
7	15.220	22.216				
7	15.220	22.216				
8	15.820	24.277				
8	15.820	24.277				
9	23.692	0.526				
9	23.692	0.526				
10	26.190	0.000				
					Totale	296.72

TOMBINO SCATOLARE TS.14

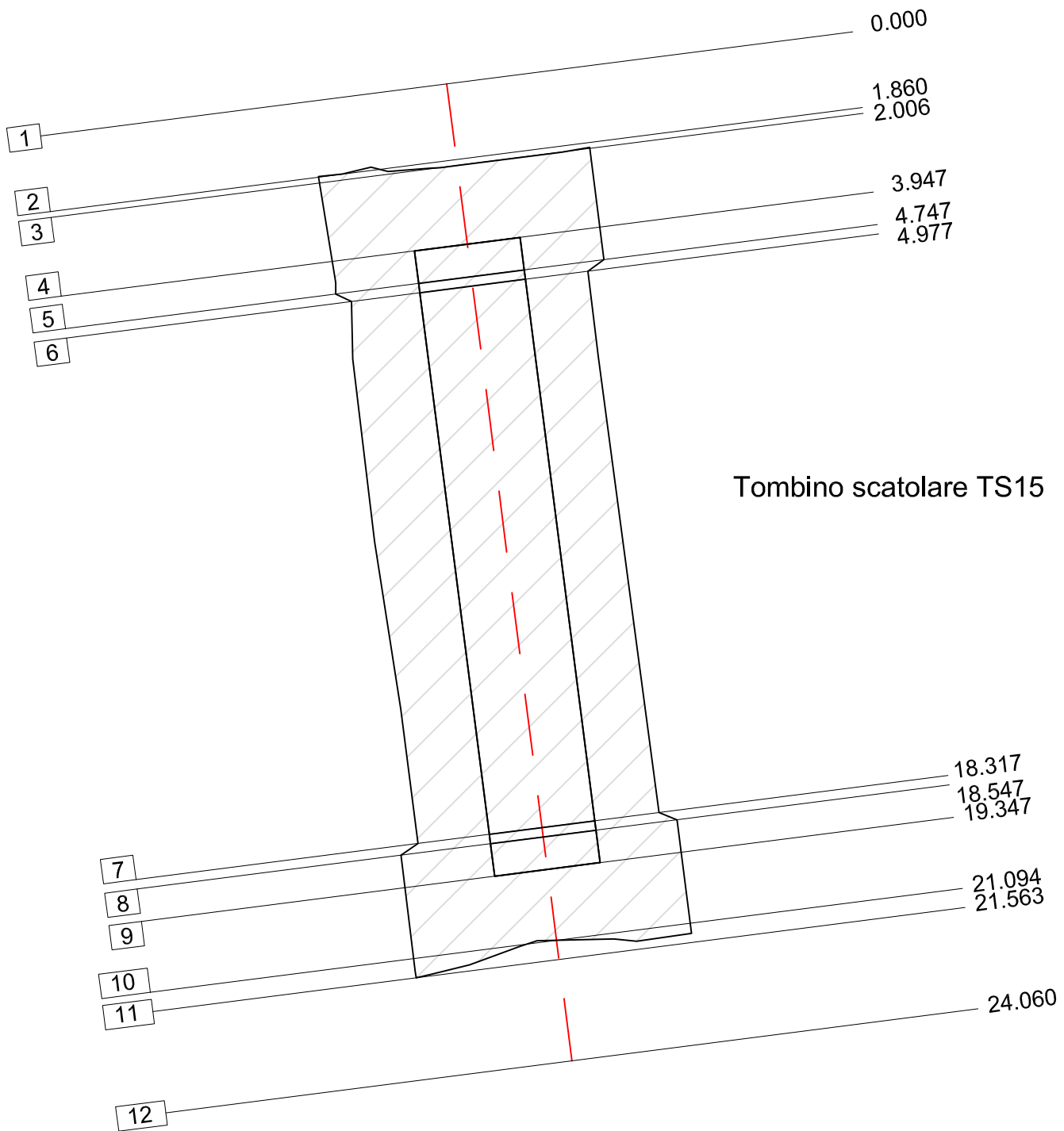


Tombino scatolare TS14



Sezione	Distanze Progressive	Area	Area Media	Distanze Parziale	VOLUMI	
					Parziale	Totale
1	0.000	0.000	0.007	1.817	0.01	0.01
2	1.817	0.015	0.690	0.459	0.32	0.33
2	1.817	0.015	4.638	1.580	7.33	7.66
3	2.276	1.365	7.910	0.800	6.33	13.99
3	2.276	1.365	6.677	0.230	1.54	15.53
4	3.856	7.911	6.277	15.914	99.89	115.42
4	3.856	7.911	8.260	0.230	1.90	117.32
5	4.656	7.909	10.204	0.800	8.16	125.48
5	4.656	7.909	5.512	1.929	10.63	136.11
6	4.886	5.445	0.013	7.886	0.10	136.21
6	4.886	5.445				
7	20.800	7.109				
7	20.800	7.109				
8	21.030	9.411				
8	21.030	9.411				
9	21.830	10.997				
9	21.830	10.997				
10	23.759	0.026				
10	23.759	0.026				
11	31.645	0.000				
					Totale	136.21

TOMBINO SCATOLARE TS.15



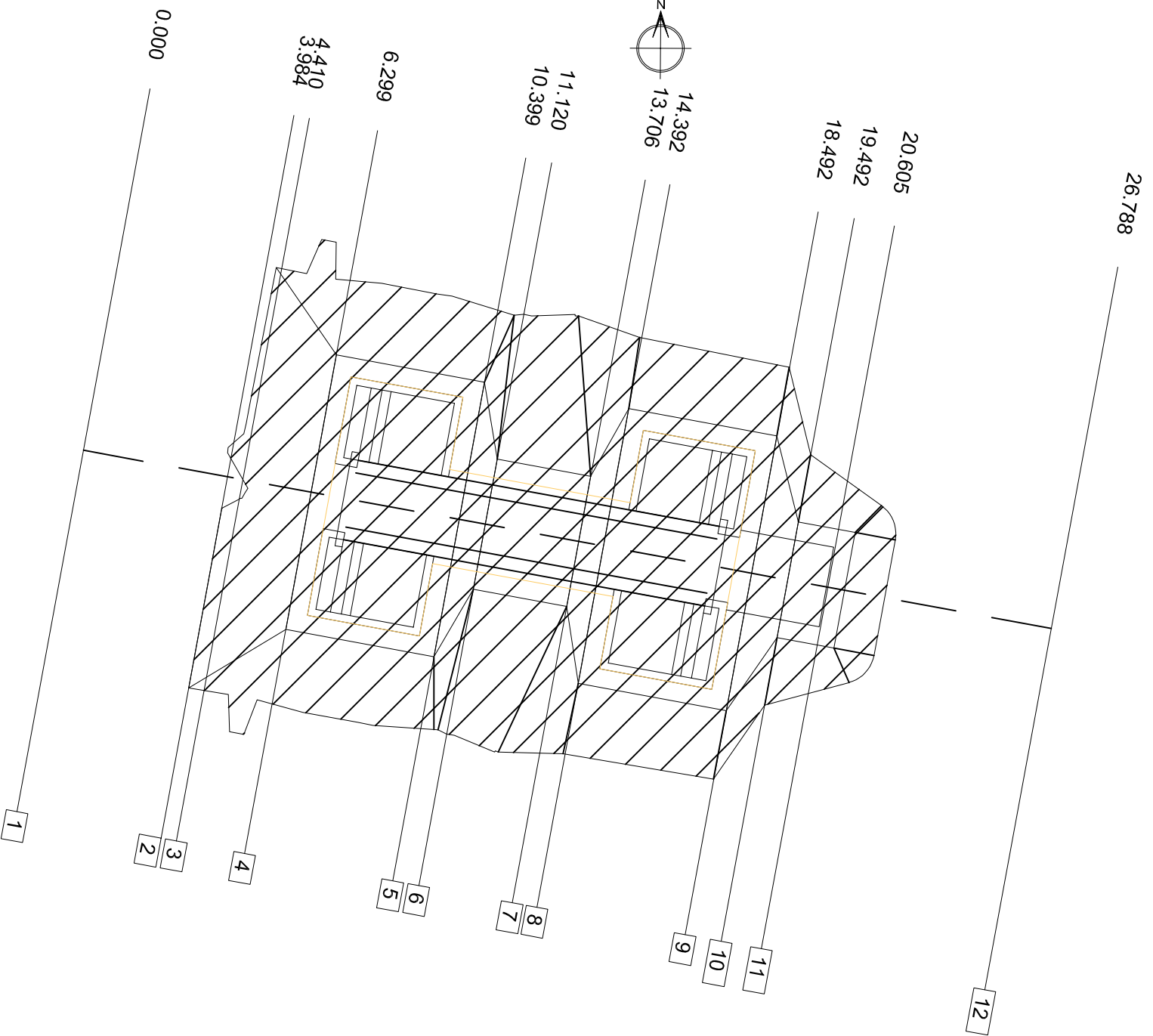
Tombino scatolare TS15



Sezione	Distanze Progressive	Area	Area Media	Distanze Parziale	VOLUMI	
					Parziale	Totale
1	0.000	0.000	0.019	1.860	0.04	0.04
2	1.860	0.038	0.169	0.146	0.02	0.06
2	1.860	0.038	4.609	1.941	8.95	9.01
3	2.006	0.300	8.945	0.800	7.16	16.17
3	2.006	0.300	7.738	0.230	1.78	17.95
4	3.947	8.918	6.325	13.340	84.38	102.33
4	3.947	8.918	7.419	0.230	1.71	104.04
5	4.747	8.971	8.699	0.800	6.96	111.00
5	4.747	8.971	4.937	1.747	8.63	119.63
6	4.977	6.505	0.585	0.470	0.27	119.90
6	4.977	6.505				
7	18.317	6.145				
7	18.317	6.145				
8	18.547	8.692				
8	18.547	8.692				
9	19.347	8.706				
9	19.347	8.706				
10	21.094	1.169				
10	21.094	1.169				
11	21.563	0.000				
					Totale	119.90

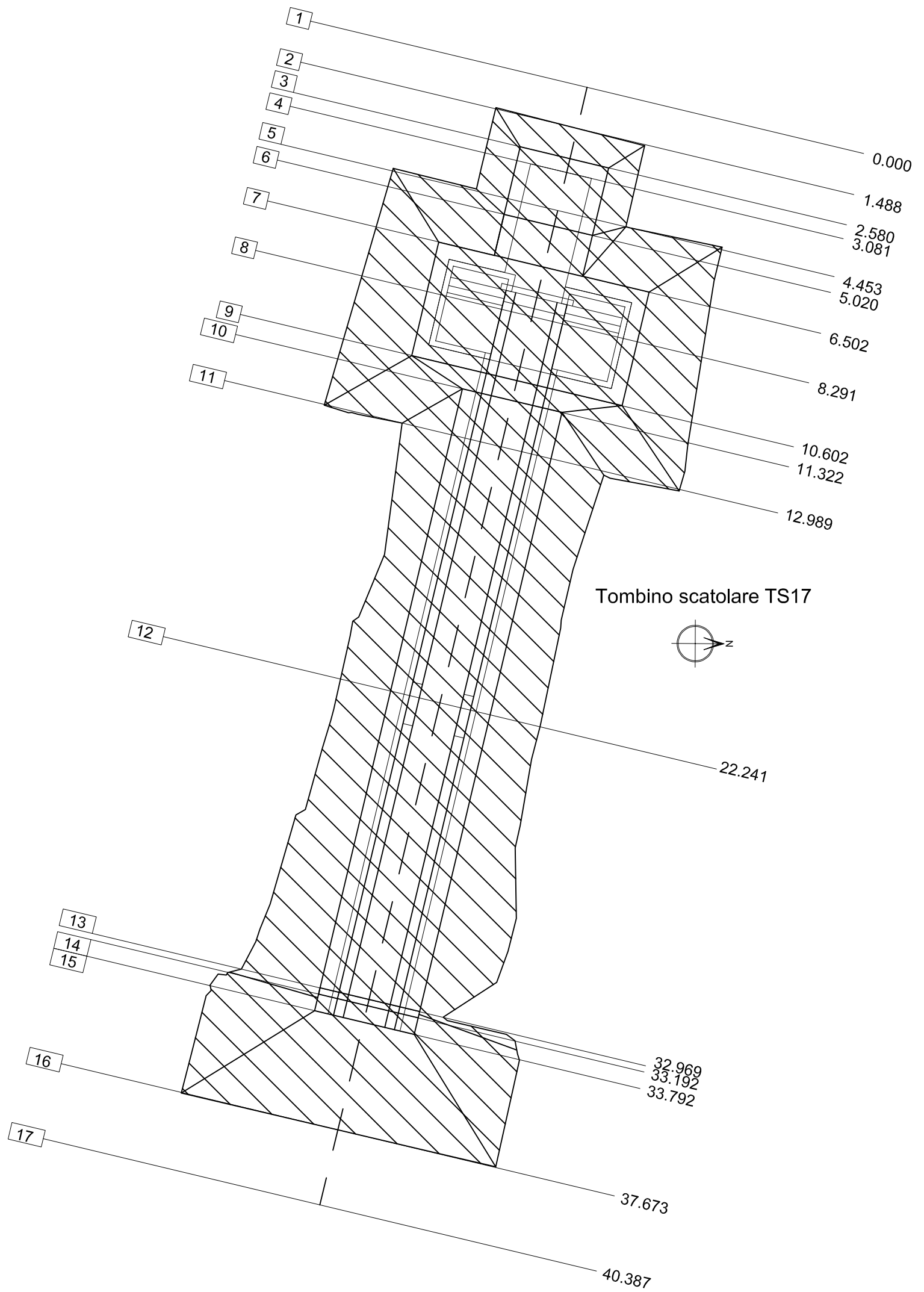
TOMBINO SCATOLARE TS.16

Tombino scatolare TS16



Sezione	Distanze Progressive	Area	Area Media	Distanze Parziale	VOLUMI	
					Parziale	Totale
2	3.984	0.000	1.638	0.426	0.70	0.70
3	4.410	3.276				
3	4.410	3.276	11.850	1.889	22.38	23.08
4	6.299	20.423				
4	6.299	20.423	20.596	4.100	84.44	107.52
5	10.399	20.769				
5	10.399	20.769	16.184	0.720	11.65	119.17
6	11.120	11.600				
6	11.120	11.600	11.360	2.586	29.38	148.55
7	13.706	11.120				
7	13.706	11.120	15.521	0.686	10.65	159.20
8	14.392	19.921				
8	14.392	19.921	19.942	4.100	81.76	240.96
9	18.492	19.963				
9	18.492	19.963	12.301	0.999	12.29	253.25
10	19.492	4.638				
10	19.492	4.638	2.333	1.113	2.60	255.85
11	20.605	0.029				
11	20.605	0.029	0.015	6.183	0.09	255.94
12	26.788	0.000				
					Totale	255.94

TOMBINO SCATOLARE TS.17



Tom ino Scatolare TS17						
COMPUTO DEI VOLUMI				Ri .to Dis.:	Pagina Nr. 1	
STERRO						U.Misura : mc
Sezione	Distanze Progressive	Area	Area Media	Distanze Parziale	VOLUMI	
					Parziale	Totale
1	0.000	0.000	0.036	1.488	0.05	0.05
2	1.488	0.071	2.244	1.092	2.45	2.50
2	1.488	0.071	4.592	0.500	2.30	4.80
3	2.580	4.417	4.982	1.373	6.84	11.64
3	2.580	4.417	6.991	0.567	3.96	15.60
4	3.081	4.767	14.575	1.482	21.60	37.20
4	3.081	4.767	20.891	1.789	37.38	74.58
5	4.453	5.197	22.867	2.311	52.85	127.43
5	4.453	5.197	21.750	0.720	15.66	143.09
6	5.020	8.786	14.512	1.667	24.19	167.28
6	5.020	8.786	9.860	9.252	91.22	258.50
7	6.502	20.364	9.170	10.728	98.39	356.89
7	6.502	20.364	15.964	0.223	3.56	360.45
8	8.291	21.419	25.279	0.600	15.17	375.62
8	8.291	21.419	13.576	3.881	52.69	428.31
9	10.602	24.314	0.032	2.714	0.09	428.40
9	10.602	24.314				
10	11.322	19.185				
10	11.322	19.185				
11	12.989	9.839				
11	12.989	9.839				
12	22.241	9.881				
12	22.241	9.881				
13	32.969	8.460				
13	32.969	8.460				
14	33.192	23.468				
14	33.192	23.468				
15	33.792	27.090				
15	33.792	27.090				
16	37.673	0.063				
16	37.673	0.063				
17	40.387	0.000				
Totale						428.40

PROGETTO ESECUTIVO

S.S. 131 di "Carlo Felice"
Adeguamento e messa in sicurezza della S.S.131
Risoluzione dei nodi critici – 2° stralcio
Dal km 108+300 al km 158+000

TABELLE RIEPILOGATIVE MOVIMENTI DI TERRA PISTE DI CANTIERE

**PISTE DI
CANTIERE**

PISTA PT.01

Codice	Descrizione	Quantità
FONDA	STRATO DI FONDAZIONE	257,604 m ³
RI	RILEVATO	408,957 m ³
ST	STERRO	364,722 m ³

COMPUTO DELLE QUANTITA'

STRATO DI FONDAZIONE (FONDA)

Sezione	Distanza progressiva	Area	Area Media	Distanza parziale	Volume	
					Parziale	Totale
1	0,000	1,800 m ²	1,800 m ²	25,000	45,000 m ³	45,000 m ³
2	25,000	1,800 m ²	1,800 m ²	25,000	45,000 m ³	90,000 m ³
2	25,000	1,800 m ²	1,800 m ²	25,000	45,000 m ³	135,000 m ³
3	50,000	1,800 m ²	1,800 m ²	25,000	45,000 m ³	180,000 m ³
3	50,000	1,800 m ²	1,800 m ²	25,000	45,000 m ³	189,016 m ³
4	75,000	1,800 m ²	1,800 m ²	25,000	45,000 m ³	197,831 m ³
4	75,000	1,800 m ²	1,800 m ²	25,000	45,000 m ³	203,259 m ³
5	100,000	1,800 m ²	1,800 m ²	5,009	9,016 m ³	212,074 m ³
5	100,000	1,800 m ²	1,800 m ²	5,009	9,016 m ³	217,502 m ³
6	105,009	1,800 m ²	1,800 m ²	5,009	9,016 m ³	221,510 m ³
6	105,009	1,050 m ²	1,050 m ²	7,720	8,815 m ³	223,737 m ³
6	105,009	1,050 m ²	1,050 m ²	7,720	8,815 m ³	225,589 m ³
7	112,729	1,050 m ²	1,050 m ²	7,720	8,815 m ³	230,152 m ³
7	112,729	0,750 m ²	0,750 m ²	7,720	5,428 m ³	233,946 m ³
7	112,729	0,750 m ²	0,750 m ²	7,720	5,428 m ³	240,736 m ³
8	120,449	1,050 m ²	1,050 m ²	7,720	8,815 m ³	246,383 m ³
8	120,449	0,750 m ²	0,750 m ²	7,720	5,428 m ³	257,604 m ³
8	120,449	0,750 m ²	0,750 m ²	7,720	5,428 m ³	
8	120,449	1,800 m ²	1,800 m ²	2,227	4,008 m ³	
9	122,676	1,800 m ²	1,800 m ²	2,227	4,008 m ³	
9	122,676	1,050 m ²	1,050 m ²	2,324	2,227 m ³	
9	122,676	0,750 m ²	0,750 m ²	2,324	1,852 m ³	
10	125,000	1,050 m ²	1,050 m ²	2,324	1,852 m ³	
10	125,000	0,750 m ²	0,750 m ²	2,324	1,852 m ³	
10	125,000	1,050 m ²	1,050 m ²	4,763	4,563 m ³	
10	125,000	0,750 m ²	0,750 m ²	4,763	3,794 m ³	
11	129,763	1,050 m ²	1,050 m ²	4,763	3,794 m ³	
11	129,763	0,750 m ²	0,750 m ²	4,763	3,794 m ³	
11	129,763	1,050 m ²	1,050 m ²	7,087	6,790 m ³	
11	129,763	0,750 m ²	0,750 m ²	7,087	5,647 m ³	
12	136,849	1,050 m ²	1,050 m ²	7,087	5,647 m ³	
12	136,849	0,750 m ²	0,750 m ²	7,087	5,647 m ³	
12	136,849	1,800 m ²	1,800 m ²	6,234	11,221 m ³	
13	143,084	1,800 m ²	1,800 m ²	6,234	11,221 m ³	

					RILEVATO (RI)	
Sezione	Distanza progressiva	Area	Area Media	Distanza parziale	Volume	
					Parziale	Totale
1	0,000	0,171 m ²	8,032 m ²	25,000	200,813 m ³	200,813 m ³
2	25,000	15,894 m ²	8,011 m ²	25,000	200,283 m ³	401,096 m ³
2	25,000	15,894 m ²	8,011 m ²	25,000	200,283 m ³	401,096 m ³
3	50,000	0,128 m ²	0,064 m ²	25,000	1,604 m ³	402,700 m ³
3	50,000	0,128 m ²	0,064 m ²	25,000	1,604 m ³	402,700 m ³
4	75,000	0,000 m ²	0,155 m ²	25,000	3,864 m ³	406,564 m ³
4	75,000	0,000 m ²	0,155 m ²	25,000	3,864 m ³	406,564 m ³
5	100,000	0,309 m ²	0,270 m ²	5,009	1,352 m ³	407,916 m ³
5	100,000	0,309 m ²	0,270 m ²	5,009	1,352 m ³	407,916 m ³
6	105,009	0,230 m ²	0,115 m ²	7,720	0,980 m ³	408,896 m ³
6	105,009	0,230 m ²	0,115 m ²	7,720	0,980 m ³	408,896 m ³
7	112,729	0,000 m ²	0,002 m ²	2,227	0,004 m ³	408,900 m ³
8	120,449	0,000 m ²	0,002 m ²	2,227	0,004 m ³	408,900 m ³
9	122,676	0,004 m ²	0,008 m ²	2,324	0,023 m ³	408,923 m ³
9	122,676	0,004 m ²	0,008 m ²	2,324	0,023 m ³	408,923 m ³
10	125,000	0,013 m ²	0,007 m ²	4,763	0,034 m ³	408,957 m ³
10	125,000	0,013 m ²	0,007 m ²	4,763	0,034 m ³	408,957 m ³
11	129,763	0,000 m ²				

					STERRO (ST)	
Sezione	Distanza progressiva	Area	Area Media	Distanza parziale	Volume	
					Parziale	Totale
1	0,000	1,955 m ²	0,977 m ²	25,000	24,433 m ³	24,433 m ³
2	25,000	0,000 m ²				
2	25,000	0,000 m ²	0,808 m ²	25,000	20,189 m ³	44,622 m ³
3	50,000	1,615 m ²				
3	50,000	1,615 m ²	2,791 m ²	25,000	69,772 m ³	114,394 m ³
4	75,000	3,967 m ²				
4	75,000	3,967 m ²	2,535 m ²	25,000	63,383 m ³	177,777 m ³
5	100,000	1,104 m ²				
5	100,000	1,104 m ²	1,350 m ²	5,009	6,761 m ³	184,538 m ³
6	105,009	1,596 m ²				
6	105,009	0,640 m ²	1,225 m ²	7,720	10,266 m ³	194,804 m ³
7	112,729	1,810 m ²				
6	105,009	0,956 m ²	3,038 m ²	7,720	20,589 m ³	215,393 m ³
7	112,729	5,121 m ²				
7	112,729	1,810 m ²	3,970 m ²	7,720	33,456 m ³	248,849 m ³
8	120,449	6,131 m ²				
7	112,729	5,121 m ²	3,304 m ²	7,720	22,741 m ³	271,590 m ³
8	120,449	1,487 m ²				
8	120,449	7,617 m ²	7,978 m ²	2,227	17,766 m ³	289,356 m ³
9	122,676	8,338 m ²				
9	122,676	7,255 m ²	6,697 m ²	2,324	13,264 m ³	302,620 m ³
10	125,000	6,139 m ²				
9	122,676	1,083 m ²	1,031 m ²	2,324	2,539 m ³	305,159 m ³
10	125,000	0,978 m ²				
10	125,000	6,139 m ²	4,697 m ²	4,763	18,487 m ³	323,646 m ³
11	129,763	3,254 m ²				
10	125,000	0,978 m ²	1,009 m ²	4,763	5,106 m ³	328,752 m ³
11	129,763	1,039 m ²				
11	129,763	3,254 m ²	2,253 m ²	7,087	13,823 m ³	342,575 m ³
12	136,849	1,251 m ²				
11	129,763	1,039 m ²	1,136 m ²	7,087	8,627 m ³	351,202 m ³
12	136,849	1,233 m ²				
12	136,849	2,484 m ²	2,169 m ²	6,234	13,520 m ³	364,722 m ³
13	143,084	1,853 m ²				

PISTA PT.02

Pista PT.02

Data: 20/04/2021

Ora: 17:07:30

RIEPILOGO QUANTITA'

Pagina: 1 / 1

Codice	Descrizione	Quantità
FONDA	STRATO DI FONDAZIONE	185,505 m ³
RI	RILEVATO	68,523 m ³
ST	STERRO	277,689 m ³

COMPUTO DELLE QUANTITA'

Pagina: 1 / 3

STRATO DI FONDAZIONE (FONDA)

Sezione	Distanza progressiva	Area	Area Media	Distanza parziale	Volume	
					Parziale	Totale
1	0,000	1,800 m ²	1,800 m ²	25,000	45,000 m ³	45,000 m ³
2	25,000	1,800 m ²	1,800 m ²	12,594	22,669 m ³	67,669 m ³
2	25,000	1,800 m ²	1,800 m ²	2,866	2,833 m ³	70,502 m ³
3	37,594	1,800 m ²	1,800 m ²	2,866	2,833 m ³	75,575 m ³
3	37,594	1,050 m ²	1,050 m ²	2,866	2,240 m ³	72,742 m ³
4	40,461	1,050 m ²	1,050 m ²	2,866	2,833 m ³	75,575 m ³
3	37,594	0,750 m ²	0,750 m ²	2,866	2,240 m ³	77,815 m ³
4	40,461	0,750 m ²	0,750 m ²	2,866	2,240 m ³	77,815 m ³
4	40,461	1,050 m ²	1,050 m ²	6,673	12,012 m ³	89,827 m ³
5	43,327	1,050 m ²	1,050 m ²	14,053	25,296 m ³	115,123 m ³
4	40,461	0,750 m ²	0,750 m ²	9,175	10,477 m ³	125,600 m ³
5	43,327	0,750 m ²	0,750 m ²	9,175	6,451 m ³	132,051 m ³
5	43,327	0,750 m ²	0,750 m ²	9,175	10,477 m ³	142,528 m ³
5	43,327	1,800 m ²	1,800 m ²	0,526	0,946 m ³	149,925 m ³
6	50,000	1,800 m ²	1,800 m ²	4,397	4,348 m ³	154,273 m ³
6	50,000	1,800 m ²	1,800 m ²	4,397	3,435 m ³	157,708 m ³
7	64,053	1,800 m ²	1,800 m ²	4,397	4,348 m ³	162,056 m ³
7	64,053	1,050 m ²	1,050 m ²	4,397	3,435 m ³	165,491 m ³
7	64,053	0,750 m ²	0,750 m ²	4,397	3,435 m ³	165,491 m ³
8	73,228	1,050 m ²	1,050 m ²	8,276	14,897 m ³	180,388 m ³
8	73,228	0,750 m ²	0,750 m ²	2,843	5,117 m ³	185,505 m ³
8	73,228	0,750 m ²	0,750 m ²			
8	73,228	1,050 m ²	1,050 m ²			
9	82,404	1,050 m ²	1,050 m ²			
9	82,404	0,750 m ²	0,750 m ²			
9	82,404	0,750 m ²	0,750 m ²			
9	82,404	1,800 m ²	1,800 m ²			
10	82,930	1,800 m ²	1,800 m ²			
10	82,930	1,050 m ²	1,050 m ²			
10	82,930	0,750 m ²	0,750 m ²			
10	82,930	0,750 m ²	0,750 m ²			
11	87,327	1,050 m ²	1,050 m ²			
11	87,327	1,050 m ²	1,050 m ²			
11	87,327	0,750 m ²	0,750 m ²			
11	87,327	0,750 m ²	0,750 m ²			
11	87,327	1,050 m ²	1,050 m ²			
12	91,724	1,050 m ²	1,050 m ²			
12	91,724	0,750 m ²	0,750 m ²			
12	91,724	0,750 m ²	0,750 m ²			
12	91,724	1,800 m ²	1,800 m ²			
13	100,000	1,800 m ²	1,800 m ²			
13	100,000	1,800 m ²	1,800 m ²			
14	102,843	1,800 m ²	1,800 m ²			

					RILEVATO (RI)	
Sezione	Distanza progressiva	Area	Area Media	Distanza parziale	Volume	
					Parziale	Totale
1	0,000	0,490 m ²	0,510 m ²	25,000	12,756 m ³	12,756 m ³
2	25,000	0,531 m ²	0,463 m ²	12,594	5,837 m ³	18,593 m ³
2	25,000	0,531 m ²	0,376 m ²	2,866	0,929 m ³	19,522 m ³
3	37,594	0,396 m ²	0,369 m ²	2,866	0,910 m ³	20,432 m ³
3	37,594	0,396 m ²	0,514 m ²	6,673	3,432 m ³	23,864 m ³
4	40,461	0,357 m ²	0,522 m ²	14,053	7,342 m ³	31,206 m ³
4	40,461	0,357 m ²	0,301 m ²	9,175	3,333 m ³	34,539 m ³
5	43,327	0,381 m ²	0,102 m ²	9,175	1,035 m ³	35,574 m ³
5	43,327	0,381 m ²	0,252 m ²	4,397	1,172 m ³	36,746 m ³
6	50,000	0,647 m ²	1,521 m ²	4,397	7,502 m ³	44,248 m ³
6	50,000	0,647 m ²	2,403 m ²	8,276	19,888 m ³	64,136 m ³
7	64,053	0,397 m ²	2,269 m ²	2,843	4,387 m ³	68,523 m ³
7	64,053	0,397 m ²	0,818 m ²			
8	73,228	0,205 m ²				
8	73,228	0,205 m ²				
9	82,404	0,000 m ²				
10	82,930	0,000 m ²				
11	87,327	0,505 m ²				
11	87,327	0,505 m ²				
12	91,724	2,537 m ²				
12	91,724	2,537 m ²				
13	100,000	2,269 m ²				
13	100,000	2,269 m ²				
14	102,843	0,818 m ²				

					STERRO (ST)	
Sezione	Distanza progressiva	Area	Area Media	Distanza parziale	Volume	
					Parziale	Totale
1	0,000	2,153 m ²	1,851 m ²	25,000	46,268 m ³	46,268 m ³
2	25,000	1,548 m ²				
2	25,000	1,548 m ²	2,039 m ²	12,594	25,682 m ³	71,950 m ³
3	37,594	2,530 m ²				
3	37,594	0,678 m ²	0,720 m ²	2,866	1,978 m ³	73,928 m ³
4	40,461	0,762 m ²				
3	37,594	1,852 m ²	1,921 m ²	2,866	5,893 m ³	79,821 m ³
4	40,461	1,990 m ²				
4	40,461	0,762 m ²	0,754 m ²	2,866	2,066 m ³	81,887 m ³
5	43,327	0,746 m ²				
4	40,461	1,990 m ²	1,988 m ²	2,866	6,103 m ³	87,990 m ³
5	43,327	1,987 m ²				
5	43,327	2,733 m ²	2,537 m ²	6,673	16,932 m ³	104,922 m ³
6	50,000	2,341 m ²				
6	50,000	2,341 m ²	2,246 m ²	14,053	31,567 m ³	136,489 m ³
7	64,053	2,151 m ²				
7	64,053	0,606 m ²	0,739 m ²	9,175	7,216 m ³	143,705 m ³
8	73,228	0,871 m ²				
7	64,053	1,545 m ²	2,003 m ²	9,175	16,607 m ³	160,312 m ³
8	73,228	2,461 m ²				
8	73,228	0,871 m ²	2,018 m ²	9,175	20,206 m ³	180,518 m ³
9	82,404	3,165 m ²				
8	73,228	2,461 m ²	2,655 m ²	9,175	22,005 m ³	202,523 m ³
9	82,404	2,848 m ²				
9	82,404	6,013 m ²	5,902 m ²	0,526	3,105 m ³	205,628 m ³
10	82,930	5,791 m ²				
10	82,930	3,077 m ²	3,025 m ²	4,397	12,274 m ³	217,902 m ³
11	87,327	2,972 m ²				
10	82,930	2,713 m ²	1,923 m ²	4,397	8,866 m ³	226,768 m ³
11	87,327	1,132 m ²				
11	87,327	2,972 m ²	3,329 m ²	4,397	13,438 m ³	240,206 m ³
12	91,724	3,686 m ²				
11	87,327	1,132 m ²	0,899 m ²	4,397	4,106 m ³	244,312 m ³
12	91,724	0,667 m ²				
12	91,724	4,353 m ²	3,259 m ²	8,276	26,975 m ³	271,287 m ³
13	100,000	2,166 m ²				
13	100,000	2,166 m ²	2,252 m ²	2,843	6,402 m ³	277,689 m ³
14	102,843	2,338 m ²				

PISTA PT.04

Codice	Descrizione	Quantità
FONDA	STRATO DI FONDAZIONE	29,923 m ³
RI	RILEVATO	1,779 m ³
ST	STERRO	33,181 m ³

COMPUTO DELLE QUANTITA'

STRATO DI FONDAZIONE (FONDA)

Sezione	Distanza progressiva	Area	Area Media	Distanza parziale	Volume	
					Parziale	Totale
1	0,000	0,000 m ²	0,900 m ²	6,868	6,182 m ³	6,182 m ³
2	6,868	1,800 m ²	1,800 m ²	6,494	11,690 m ³	17,872 m ³
2	6,868	1,800 m ²	1,800 m ²	6,695	12,051 m ³	29,923 m ³
3	13,362	1,800 m ²	1,800 m ²			
3	13,362	1,800 m ²	1,800 m ²			
4	20,057	1,800 m ²				

					RILEVATO (RI)	
Sezione	Distanza progressiva	Area	Area Media	Distanza parziale	Volume	
					Parziale	Totale
1	0,000	0,000 m ²	0,068 m ²	6,868	0,466 m ³	0,466 m ³
2	6,868	0,136 m ²	0,106 m ²	6,494	0,689 m ³	1,155 m ³
2	6,868	0,136 m ²	0,093 m ²	6,695	0,624 m ³	1,779 m ³
3	13,362	0,077 m ²				
3	13,362	0,077 m ²				
4	20,057	0,110 m ²				

STERRO (ST)

Sezione	Distanza progressiva	Area	Area Media	Distanza parziale	Volume	
					Parziale	Totale
1	0,000	0,000 m ²	1,131 m ²	6,868	7,770 m ³	7,770 m ³
2	6,868	2,263 m ²	2,070 m ²	6,494	13,442 m ³	21,212 m ³
2	6,868	2,263 m ²	1,788 m ²	6,695	11,969 m ³	33,181 m ³
3	13,362	1,877 m ²				
3	13,362	1,877 m ²				
4	20,057	1,698 m ²				

Codice	Descrizione	Quantità
FONDA	STRATO DI FONDAZIONE	493,292 m ³
RI	RILEVATO	737,095 m ³
ST	STERRO	609,092 m ³

PISTA PT.05

Pista PT.05

Data: 20/04/2021

Ora: 18:51:43

RIEPILOGO QUANTITA'

Pagina: 1 / 1

Codice	Descrizione	Quantità
FONDA	STRATO DI FONDAZIONE	493,292 m ³
RI	RILEVATO	737,095 m ³
ST	STERRO	609,092 m ³

STRATO DI FONDAZIONE (FONDA)

Sezione	Distanza progressiva	Area	Area Media	Distanza parziale	Volume	
					Parziale	Totale
1	0,000	0,000 m ²				
			0,900 m ²	24,511	22,060 m ³	22,060 m ³
2	24,511	1,800 m ²				
2	24,511	1,050 m ²	1,050 m ²	4,925	4,945 m ³	27,005 m ³
3	29,436	1,050 m ²				
2	24,511	0,750 m ²	0,750 m ²	4,925	3,809 m ³	30,814 m ³
3	29,436	0,750 m ²				
3	29,436	1,050 m ²	1,050 m ²	4,925	4,945 m ³	35,759 m ³
4	34,361	1,050 m ²				
3	29,436	0,750 m ²	0,750 m ²	4,925	3,809 m ³	39,568 m ³
4	34,361	0,750 m ²				
4	34,361	1,800 m ²	1,800 m ²	15,639	28,150 m ³	67,718 m ³
5	50,000	1,800 m ²				
5	50,000	1,800 m ²	1,800 m ²	22,101	39,782 m ³	107,500 m ³
6	72,101	1,800 m ²				
6	72,101	1,050 m ²	1,050 m ²	1,803	1,976 m ³	109,476 m ³
7	73,904	1,050 m ²				
6	72,101	0,750 m ²	0,750 m ²	1,803	1,310 m ³	110,786 m ³
7	73,904	0,750 m ²				
7	73,904	1,050 m ²	1,050 m ²	1,803	1,976 m ³	112,762 m ³
8	75,707	1,050 m ²				
7	73,904	0,750 m ²	0,750 m ²	1,803	1,310 m ³	114,072 m ³
8	75,707	0,750 m ²				
8	75,707	1,800 m ²	1,800 m ²	23,397	42,115 m ³	156,187 m ³
9	99,105	1,800 m ²				
9	99,105	1,050 m ²	1,050 m ²	5,201	5,700 m ³	161,887 m ³
10	104,306	1,050 m ²				
9	99,105	0,750 m ²	0,750 m ²	5,201	3,779 m ³	165,666 m ³
10	104,306	0,750 m ²				
10	104,306	1,050 m ²	1,050 m ²	5,201	5,700 m ³	171,366 m ³
11	109,507	1,050 m ²				
10	104,306	0,750 m ²	0,750 m ²	5,201	3,779 m ³	175,145 m ³
11	109,507	0,750 m ²				
11	109,507	1,800 m ²	1,800 m ²	6,647	11,964 m ³	187,109 m ³
12	116,154	1,800 m ²				
12	116,154	1,050 m ²	1,050 m ²	8,846	8,882 m ³	195,991 m ³
13	125,000	1,050 m ²				
12	116,154	0,750 m ²	0,750 m ²	8,846	6,842 m ³	202,833 m ³
13	125,000	0,750 m ²				

STRATO DI FONDAZIONE (FONDA)

Sezione	Distanza progressiva	Area	Area Media	Distanza parziale	Volume	
					Parziale	Totale
13 Sx	125,000	1,050 m ²	1,050 m ²	4,700	4,719 m ³	207,552 m ³
14	129,700	1,050 m ²				
13 Dx	125,000	0,750 m ²	0,750 m ²	4,700	3,635 m ³	211,187 m ³
14	129,700	0,750 m ²				
14 Sx	129,700	1,050 m ²	1,050 m ²	13,546	13,601 m ³	224,788 m ³
15	143,245	1,050 m ²				
14 Dx	129,700	0,750 m ²	0,750 m ²	13,546	10,476 m ³	235,264 m ³
15	143,245	0,750 m ²				
15	143,245	1,800 m ²	1,800 m ²	6,755	12,159 m ³	247,423 m ³
16	150,000	1,800 m ²				
16	150,000	1,800 m ²	1,800 m ²	25,000	45,000 m ³	292,423 m ³
17	175,000	1,800 m ²				
17	175,000	1,800 m ²	1,800 m ²	25,000	45,000 m ³	337,423 m ³
18	200,000	1,800 m ²				
18	200,000	1,800 m ²	1,800 m ²	25,000	45,000 m ³	382,423 m ³
19	225,000	1,800 m ²				
19	225,000	1,800 m ²	1,800 m ²	5,401	9,722 m ³	392,145 m ³
20	230,401	1,800 m ²				
20 Sx	230,401	1,050 m ²	1,050 m ²	7,444	8,158 m ³	400,303 m ³
21	237,845	1,050 m ²				
20 Dx	230,401	0,750 m ²	0,750 m ²	7,444	5,409 m ³	405,712 m ³
21	237,845	0,750 m ²				
21 Sx	237,845	1,050 m ²	1,050 m ²	7,444	8,158 m ³	413,870 m ³
22	245,288	1,050 m ²				
21 Dx	237,845	0,750 m ²	0,750 m ²	7,444	5,409 m ³	419,279 m ³
22	245,288	0,750 m ²				
22	245,288	1,800 m ²	1,800 m ²	2,120	3,816 m ³	423,095 m ³
23	247,409	1,800 m ²				
23 Sx	247,409	1,050 m ²	1,050 m ²	2,591	2,840 m ³	425,935 m ³
24	250,000	1,050 m ²				
23 Dx	247,409	0,750 m ²	0,750 m ²	2,591	1,882 m ³	427,817 m ³
24	250,000	0,750 m ²				
24 Sx	250,000	1,050 m ²	1,050 m ²	15,963	17,494 m ³	445,311 m ³
25	265,963	1,050 m ²				
24 Dx	250,000	0,750 m ²	0,750 m ²	15,963	11,598 m ³	456,909 m ³
25	265,963	0,750 m ²				
25 Sx	265,963	1,050 m ²	1,050 m ²	9,037	9,904 m ³	466,813 m ³
26	275,000	1,050 m ²				

STRATO DI FONDAZIONE (FONDA)

Sezione	Distanza progressiva	Area	Area Media	Distanza parziale	Volume	
					Parziale	Totale
25 Dx	265,963	0,750 m ²	0,750 m ²	9,037	6,566 m ³	473,379 m ³
26	275,000	0,750 m ²				
26 Sx	275,000	1,050 m ²	1,050 m ²	9,517	10,430 m ³	483,809 m ³
27	284,517	1,050 m ²				
26 Dx	275,000	0,750 m ²	0,750 m ²	9,517	6,915 m ³	490,724 m ³
27	284,517	0,750 m ²				
27	284,517	1,800 m ²	1,800 m ²	1,427	2,568 m ³	493,292 m ³
28	285,943	1,800 m ²				

					RILEVATO (RI)	
Sezione	Distanza progressiva	Area	Area Media	Distanza parziale	Volume	
					Parziale	Totale
1	0,000	0,000 m ²	5,984 m ²	24,511	146,678 m ³	146,678 m ³
2	24,511	11,968 m ²				
2	24,511	9,018 m ²	7,369 m ²	4,925	33,139 m ³	179,817 m ³
3	29,436	5,721 m ²				
2	24,511	2,950 m ²	2,068 m ²	4,925	10,642 m ³	190,459 m ³
3	29,436	1,185 m ²				
3	29,436	5,721 m ²	4,517 m ²	4,925	20,310 m ³	210,769 m ³
4	34,361	3,313 m ²				
3	29,436	1,185 m ²	0,629 m ²	4,925	3,189 m ³	213,958 m ³
4	34,361	0,073 m ²				
4	34,361	3,387 m ²	2,250 m ²	15,639	35,191 m ³	249,149 m ³
5	50,000	1,114 m ²				
5	50,000	1,114 m ²	0,918 m ²	22,101	20,278 m ³	269,427 m ³
6	72,101	0,721 m ²				
6	72,101	0,721 m ²	0,748 m ²	1,803	1,488 m ³	270,915 m ³
7	73,904	0,776 m ²				
7	73,904	0,776 m ²	0,799 m ²	1,803	1,589 m ³	272,504 m ³
8	75,707	0,823 m ²				
8	75,707	0,823 m ²	1,969 m ²	23,397	46,066 m ³	318,570 m ³
9	99,105	3,115 m ²				
9	99,105	3,115 m ²	2,845 m ²	5,201	16,192 m ³	334,762 m ³
10	104,306	2,575 m ²				
10	104,306	2,575 m ²	2,093 m ²	5,201	11,968 m ³	346,730 m ³
11	109,507	1,611 m ²				
11	109,507	1,611 m ²	1,377 m ²	6,647	9,152 m ³	355,882 m ³
12	116,154	1,142 m ²				
12	116,154	1,142 m ²	0,891 m ²	8,846	7,060 m ³	362,942 m ³
13	125,000	0,640 m ²				
13	125,000	0,640 m ²	0,522 m ²	4,700	2,194 m ³	365,136 m ³
14	129,700	0,404 m ²				
14	129,700	0,404 m ²	0,204 m ²	13,546	2,477 m ³	367,613 m ³
15	143,245	0,005 m ²				
15	143,245	0,005 m ²	0,337 m ²	6,755	2,274 m ³	369,887 m ³
16	150,000	0,669 m ²				
16	150,000	0,669 m ²	0,930 m ²	25,000	23,244 m ³	393,131 m ³
17	175,000	1,191 m ²				
17	175,000	1,191 m ²	1,243 m ²	25,000	31,087 m ³	424,218 m ³
18	200,000	1,296 m ²				

					RILEVATO (RI)	
Sezione	Distanza progressiva	Area	Area Media	Distanza parziale	Volume	
					Parziale	Totale
18	200,000	1,296 m ²	2,149 m ²	25,000	53,719 m ³	477,937 m ³
19	225,000	3,001 m ²				
19	225,000	3,001 m ²	3,369 m ²	5,401	18,197 m ³	496,134 m ³
20	230,401	3,737 m ²				
20	230,401	3,729 m ²	4,481 m ²	7,444	36,485 m ³	532,619 m ³
21	237,845	5,233 m ²				
20	230,401	0,008 m ²	0,516 m ²	7,444	3,754 m ³	536,373 m ³
21	237,845	1,024 m ²				
21	237,845	5,233 m ²	6,271 m ²	7,444	50,801 m ³	587,174 m ³
22	245,288	7,310 m ²				
21	237,845	1,024 m ²	1,948 m ²	7,444	13,811 m ³	600,985 m ³
22	245,288	2,872 m ²				
22	245,288	10,181 m ²	10,843 m ²	2,120	22,986 m ³	623,971 m ³
23	247,409	11,504 m ²				
23	247,409	8,446 m ²	8,127 m ²	2,591	22,928 m ³	646,899 m ³
24	250,000	7,808 m ²				
23	247,409	3,058 m ²	2,680 m ²	2,591	6,606 m ³	653,505 m ³
24	250,000	2,302 m ²				
24	250,000	7,808 m ²	3,904 m ²	15,963	65,145 m ³	718,650 m ³
25	265,963	0,000 m ²				
24	250,000	2,302 m ²	1,151 m ²	15,963	17,932 m ³	736,582 m ³
25	265,963	0,000 m ²				
25	265,963	0,000 m ²	0,015 m ²	9,037	0,144 m ³	736,726 m ³
26	275,000	0,030 m ²				
26	275,000	0,030 m ²	0,015 m ²	9,517	0,146 m ³	736,872 m ³
27	284,517	0,000 m ²				
26	275,000	0,000 m ²	0,018 m ²	9,517	0,171 m ³	737,043 m ³
27	284,517	0,036 m ²				
27	284,517	0,036 m ²	0,036 m ²	1,427	0,052 m ³	737,095 m ³
28	285,943	0,037 m ²				

STERRO (ST)

Sezione	Distanza progressiva	Area	Area Media	Distanza parziale	Volume	
					Parziale	Totale
3	29,436	0,000 m ²	0,116 m ²	4,925	0,587 m ³	0,587 m ³
4	34,361	0,232 m ²	1,277 m ²	15,639	19,971 m ³	20,558 m ³
4	34,361	0,232 m ²	2,321 m ²	22,101	51,291 m ³	71,849 m ³
5	50,000	2,322 m ²	2,321 m ²	22,101	51,291 m ³	71,849 m ³
5	50,000	2,322 m ²	2,321 m ²	22,101	51,291 m ³	71,849 m ³
6	72,101	2,320 m ²	0,244 m ²	1,803	0,448 m ³	72,297 m ³
6 Sx	72,101	0,243 m ²	0,244 m ²	1,803	0,448 m ³	72,297 m ³
7	73,904	0,246 m ²	2,001 m ²	1,803	3,406 m ³	75,703 m ³
6 Dx	72,101	2,077 m ²	2,001 m ²	1,803	3,406 m ³	75,703 m ³
7	73,904	1,924 m ²	0,232 m ²	1,803	0,426 m ³	76,129 m ³
7 Sx	73,904	0,246 m ²	0,232 m ²	1,803	0,426 m ³	76,129 m ³
8	75,707	0,219 m ²	1,885 m ²	1,803	3,213 m ³	79,342 m ³
7 Dx	73,904	1,924 m ²	1,885 m ²	1,803	3,213 m ³	79,342 m ³
8	75,707	1,845 m ²	2,068 m ²	23,397	48,375 m ³	127,717 m ³
8	75,707	2,064 m ²	2,068 m ²	23,397	48,375 m ³	127,717 m ³
9	99,105	2,071 m ²	0,008 m ²	5,201	0,040 m ³	127,757 m ³
9 Sx	99,105	0,001 m ²	0,008 m ²	5,201	0,040 m ³	127,757 m ³
10	104,306	0,015 m ²	1,680 m ²	5,201	8,192 m ³	135,949 m ³
9 Dx	99,105	2,071 m ²	1,680 m ²	5,201	8,192 m ³	135,949 m ³
10	104,306	1,289 m ²	0,119 m ²	5,201	0,623 m ³	136,572 m ³
10 Sx	104,306	0,015 m ²	0,119 m ²	5,201	0,623 m ³	136,572 m ³
11	109,507	0,223 m ²	1,750 m ²	5,201	8,586 m ³	145,158 m ³
10 Dx	104,306	1,289 m ²	1,750 m ²	5,201	8,586 m ³	145,158 m ³
11	109,507	2,211 m ²	2,897 m ²	6,647	19,260 m ³	164,418 m ³
11	109,507	2,433 m ²	2,897 m ²	6,647	19,260 m ³	164,418 m ³
12	116,154	3,361 m ²	0,396 m ²	8,846	3,438 m ³	167,856 m ³
12 Sx	116,154	0,282 m ²	0,396 m ²	8,846	3,438 m ³	167,856 m ³
13	125,000	0,511 m ²	3,088 m ²	8,846	29,066 m ³	196,922 m ³
12 Dx	116,154	3,079 m ²	3,088 m ²	8,846	29,066 m ³	196,922 m ³
13	125,000	3,097 m ²	0,832 m ²	4,700	3,802 m ³	200,724 m ³
13 Sx	125,000	0,511 m ²	0,832 m ²	4,700	3,802 m ³	200,724 m ³
14	129,700	1,153 m ²	3,291 m ²	4,700	16,384 m ³	217,108 m ³
13 Dx	125,000	3,097 m ²	3,291 m ²	4,700	16,384 m ³	217,108 m ³
14	129,700	3,485 m ²	1,794 m ²	13,546	23,430 m ³	240,538 m ³
14 Sx	129,700	1,153 m ²	1,794 m ²	13,546	23,430 m ³	240,538 m ³
15	143,245	2,436 m ²	3,618 m ²	13,546	51,626 m ³	292,164 m ³
14 Dx	129,700	3,485 m ²	3,618 m ²	13,546	51,626 m ³	292,164 m ³
15	143,245	3,751 m ²				

					STERRO (ST)	
Sezione	Distanza progressiva	Area	Area Media	Distanza parziale	Volume	
					Parziale	Totale
15	143,245	6,187 m ²	4,592 m ²	6,755	31,016 m ³	323,180 m ³
16	150,000	2,996 m ²	2,556 m ²	25,000	63,909 m ³	387,089 m ³
16	150,000	2,996 m ²	2,687 m ²	25,000	67,182 m ³	454,271 m ³
17	175,000	2,117 m ²	2,532 m ²	25,000	63,313 m ³	517,584 m ³
17	175,000	2,117 m ²	1,229 m ²	5,401	6,637 m ³	524,221 m ³
18	200,000	3,258 m ²	0,325 m ²	7,444	2,353 m ³	526,574 m ³
18	200,000	3,258 m ²	0,000 m ²			
19	225,000	1,807 m ²	1,105 m ²	15,963	18,085 m ³	544,659 m ³
19	225,000	1,807 m ²	0,938 m ²	15,963	14,665 m ³	559,324 m ³
20	230,401	0,651 m ²	1,598 m ²	9,037	15,114 m ³	574,438 m ³
20	230,401	0,651 m ²	1,479 m ²	9,037	12,830 m ³	587,268 m ³
21	237,845	0,000 m ²	1,077 m ²	9,517	10,706 m ³	597,974 m ³
24	250,000	0,000 m ²	0,916 m ²	9,517	8,408 m ³	606,382 m ³
24	250,000	0,000 m ²	1,899 m ²	1,427	2,710 m ³	609,092 m ³
25	265,963	2,210 m ²				
24	250,000	0,000 m ²				
25	265,963	2,210 m ²				
25	265,963	1,876 m ²				
25	265,963	2,210 m ²				
26	275,000	0,986 m ²				
25	265,963	1,876 m ²				
26	275,000	1,082 m ²				
26	275,000	0,986 m ²				
26	275,000	0,986 m ²				
27	284,517	1,168 m ²				
26	275,000	1,082 m ²				
27	284,517	0,749 m ²				
27	284,517	1,916 m ²				
27	284,517	1,916 m ²				
28	285,943	1,882 m ²				

PISTA PT.06

Codice	Descrizione	Quantità
FONDA	STRATO DI FONDAZIONE	1080,068 m ³
RI	RILEVATO	323,146 m ³
ST	STERRO	890,029 m ³

STRATO DI FONDAZIONE (FONDA)

Sezione	Distanza progressiva	Area	Area Media	Distanza parziale	Volume	
					Parziale	Totale
1	0,000	1,800 m ²	1,800 m ²	3,977	7,159 m ³	7,159 m ³
2	3,977	1,800 m ²	1,800 m ²	9,133	8,299 m ³	15,458 m ³
2 Sx	3,977	1,050 m ²	1,050 m ²	9,133	8,299 m ³	15,458 m ³
3	13,109	1,050 m ²	1,050 m ²	9,133	7,509 m ³	22,967 m ³
2 Dx	3,977	0,750 m ²	0,750 m ²	9,133	7,509 m ³	22,967 m ³
3	13,109	0,750 m ²	0,750 m ²	9,133	8,299 m ³	31,266 m ³
3 Sx	13,109	1,050 m ²	1,050 m ²	9,133	8,299 m ³	31,266 m ³
4	22,242	1,050 m ²	1,050 m ²	9,133	7,509 m ³	38,775 m ³
3 Dx	13,109	0,750 m ²	0,750 m ²	9,133	7,509 m ³	38,775 m ³
4	22,242	0,750 m ²	0,750 m ²	2,758	4,965 m ³	43,740 m ³
5	25,000	1,800 m ²	1,800 m ²	25,000	45,000 m ³	88,740 m ³
5	25,000	1,800 m ²	1,800 m ²	25,000	45,000 m ³	133,740 m ³
6	50,000	1,800 m ²	1,800 m ²	25,000	45,000 m ³	178,740 m ³
6	50,000	1,800 m ²	1,800 m ²	25,000	45,000 m ³	223,740 m ³
7	75,000	1,800 m ²	1,800 m ²	25,000	45,000 m ³	268,740 m ³
7	75,000	1,800 m ²	1,800 m ²	25,000	45,000 m ³	313,740 m ³
8	100,000	1,800 m ²	1,800 m ²	25,000	45,000 m ³	358,740 m ³
8	100,000	1,800 m ²	1,800 m ²	25,000	45,000 m ³	403,740 m ³
9	125,000	1,800 m ²	1,800 m ²	25,000	45,000 m ³	448,740 m ³
9	125,000	1,800 m ²	1,800 m ²	25,000	45,000 m ³	490,624 m ³
10	150,000	1,800 m ²	1,800 m ²	25,000	45,000 m ³	493,967 m ³
10	150,000	1,800 m ²	1,800 m ²	25,000	45,000 m ³	496,391 m ³
11	175,000	1,800 m ²	1,800 m ²	25,000	45,000 m ³	499,734 m ³
11	175,000	1,800 m ²	1,800 m ²	25,000	45,000 m ³	
12	200,000	1,800 m ²	1,800 m ²	25,000	45,000 m ³	
12	200,000	1,800 m ²	1,800 m ²	25,000	45,000 m ³	
13	225,000	1,800 m ²	1,800 m ²	25,000	45,000 m ³	
13	225,000	1,800 m ²	1,800 m ²	25,000	45,000 m ³	
14	250,000	1,800 m ²	1,800 m ²	25,000	45,000 m ³	
14	250,000	1,800 m ²	1,800 m ²	25,000	45,000 m ³	
15	273,269	1,800 m ²	1,800 m ²	23,269	41,884 m ³	
15 Sx	273,269	1,050 m ²	1,050 m ²	3,212	3,343 m ³	
16	276,481	1,050 m ²	1,050 m ²	3,212	3,343 m ³	
15 Dx	273,269	0,750 m ²	0,750 m ²	3,212	2,424 m ³	
16	276,481	0,750 m ²	0,750 m ²	3,212	2,424 m ³	
16 Sx	276,481	1,050 m ²	1,050 m ²	3,212	3,343 m ³	
17	279,693	1,050 m ²	1,050 m ²	3,212	3,343 m ³	

STRATO DI FONDAZIONE (FONDA)

Sezione	Distanza progressiva	Area	Area Media	Distanza parziale	Volume	
					Parziale	Totale
16	276,481	0,750 m ²	0,750 m ²	3,212	2,424 m ³	502,158 m ³
Dx	279,693	0,750 m ²	1,800 m ²	20,307	36,552 m ³	538,710 m ³
17	279,693	1,800 m ²	1,800 m ²	25,000	45,000 m ³	583,710 m ³
18	300,000	1,800 m ²	1,800 m ²	25,000	45,000 m ³	628,710 m ³
18	300,000	1,800 m ²	1,800 m ²	25,000	45,000 m ³	673,710 m ³
19	325,000	1,800 m ²	1,800 m ²	25,000	45,000 m ³	718,710 m ³
19	325,000	1,800 m ²	1,800 m ²	25,000	45,000 m ³	763,710 m ³
20	350,000	1,800 m ²	1,800 m ²	25,000	45,000 m ³	808,710 m ³
20	350,000	1,800 m ²	1,800 m ²	25,000	45,000 m ³	853,710 m ³
21	375,000	1,800 m ²	1,800 m ²	25,000	45,000 m ³	898,710 m ³
21	375,000	1,800 m ²	1,800 m ²	25,000	45,000 m ³	943,710 m ³
22	400,000	1,800 m ²	1,800 m ²	25,000	45,000 m ³	988,710 m ³
22	400,000	1,800 m ²	1,800 m ²	25,000	45,000 m ³	1033,710 m ³
23	425,000	1,800 m ²	1,800 m ²	25,000	45,000 m ³	1080,068 m ³
23	425,000	1,800 m ²	1,800 m ²	25,000	45,000 m ³	
24	450,000	1,800 m ²	1,800 m ²	25,000	45,000 m ³	
24	450,000	1,800 m ²	1,800 m ²	25,000	45,000 m ³	
25	475,000	1,800 m ²	1,800 m ²	25,000	45,000 m ³	
25	475,000	1,800 m ²	1,800 m ²	25,000	45,000 m ³	
26	500,000	1,800 m ²	1,800 m ²	25,000	45,000 m ³	
26	500,000	1,800 m ²	1,800 m ²	25,000	45,000 m ³	
27	525,000	1,800 m ²	1,800 m ²	25,000	45,000 m ³	
27	525,000	1,800 m ²	1,800 m ²	25,000	45,000 m ³	
28	550,000	1,800 m ²	1,800 m ²	25,000	45,000 m ³	
28	550,000	1,800 m ²	1,800 m ²	25,000	45,000 m ³	
29	575,000	1,800 m ²	1,800 m ²	25,754	46,358 m ³	
29	575,000	1,800 m ²	1,800 m ²	25,754	46,358 m ³	
30	600,754	1,800 m ²				

					RILEVATO (RI)	
Sezione	Distanza progressiva	Area	Area Media	Distanza parziale	Volume	
					Parziale	Totale
1	0,000	0,042 m ²	0,049 m ²	3,977	0,195 m ³	0,195 m ³
2	3,977	0,056 m ²				
2	3,977	0,056 m ²	0,131 m ²	9,133	0,822 m ³	1,017 m ³
3	13,109	0,206 m ²				
2	3,977	0,000 m ²	0,005 m ²	9,133	0,043 m ³	1,060 m ³
3	13,109	0,010 m ²				
3	13,109	0,206 m ²	0,130 m ²	9,133	0,815 m ³	1,875 m ³
4	22,242	0,054 m ²				
3	13,109	0,010 m ²	0,005 m ²	9,133	0,043 m ³	1,918 m ³
4	22,242	0,000 m ²				
4	22,242	0,054 m ²	0,027 m ²	2,758	0,075 m ³	1,993 m ³
5	25,000	0,000 m ²				
5	25,000	0,000 m ²	0,048 m ²	25,000	1,193 m ³	3,186 m ³
6	50,000	0,095 m ²				
6	50,000	0,095 m ²	0,298 m ²	25,000	7,441 m ³	10,627 m ³
7	75,000	0,500 m ²				
7	75,000	0,500 m ²	0,270 m ²	25,000	6,746 m ³	17,373 m ³
8	100,000	0,040 m ²				
8	100,000	0,040 m ²	0,047 m ²	25,000	1,173 m ³	18,546 m ³
9	125,000	0,054 m ²				
9	125,000	0,054 m ²	0,255 m ²	25,000	6,368 m ³	24,914 m ³
10	150,000	0,455 m ²				
10	150,000	0,455 m ²	0,228 m ²	25,000	5,693 m ³	30,607 m ³
11	175,000	0,000 m ²				
13	225,000	0,000 m ²	0,160 m ²	25,000	4,003 m ³	34,610 m ³
14	250,000	0,320 m ²				
14	250,000	0,320 m ²	0,559 m ²	23,269	13,006 m ³	47,616 m ³
15	273,269	0,798 m ²				
15	273,269	0,623 m ²	0,534 m ²	3,212	1,680 m ³	49,296 m ³
16	276,481	0,444 m ²				
15	273,269	0,174 m ²	0,118 m ²	3,212	0,386 m ³	49,682 m ³
16	276,481	0,062 m ²				
16	276,481	0,444 m ²	0,379 m ²	3,212	1,191 m ³	50,873 m ³
17	279,693	0,313 m ²				
16	276,481	0,062 m ²	0,031 m ²	3,212	0,100 m ³	50,973 m ³
17	279,693	0,000 m ²				
17	279,693	0,313 m ²	0,416 m ²	20,307	8,454 m ³	59,427 m ³
18	300,000	0,519 m ²				

					RILEVATO (RI)	
Sezione	Distanza progressiva	Area	Area Media	Distanza parziale	Volume	
					Parziale	Totale
18	300,000	0,519 m ²	2,504 m ²	25,000	62,597 m ³	122,024 m ³
19	325,000	4,489 m ²				
19	325,000	4,489 m ²	2,329 m ²	25,000	58,228 m ³	180,252 m ³
20	350,000	0,170 m ²				
20	350,000	0,170 m ²	0,085 m ²	25,000	2,120 m ³	182,372 m ³
21	375,000	0,000 m ²				
22	400,000	0,000 m ²	0,809 m ²	25,000	20,230 m ³	202,602 m ³
23	425,000	1,618 m ²				
23	425,000	1,618 m ²	1,424 m ²	25,000	35,598 m ³	238,200 m ³
24	450,000	1,229 m ²				
24	450,000	1,229 m ²	1,087 m ²	25,000	27,177 m ³	265,377 m ³
25	475,000	0,945 m ²				
25	475,000	0,945 m ²	0,785 m ²	25,000	19,628 m ³	285,005 m ³
26	500,000	0,626 m ²				
26	500,000	0,626 m ²	0,728 m ²	25,000	18,192 m ³	303,197 m ³
27	525,000	0,830 m ²				
27	525,000	0,830 m ²	0,500 m ²	25,000	12,500 m ³	315,697 m ³
28	550,000	0,170 m ²				
28	550,000	0,170 m ²	0,174 m ²	25,000	4,356 m ³	320,053 m ³
29	575,000	0,178 m ²				
29	575,000	0,178 m ²	0,120 m ²	25,754	3,093 m ³	323,146 m ³
30	600,754	0,062 m ²				

					STERRO (ST)	
Sezione	Distanza progressiva	Area	Area Media	Distanza parziale	Volume	
					Parziale	Totale
1	0,000	1,757 m ²	1,870 m ²	3,977	7,437 m ³	7,437 m ³
2	3,977	1,983 m ²				
2	3,977	0,919 m ²	0,672 m ²	9,133	5,379 m ³	12,816 m ³
3	13,109	0,424 m ²				
2	3,977	1,064 m ²	0,846 m ²	9,133	8,605 m ³	21,421 m ³
3	13,109	0,628 m ²				
3	13,109	0,424 m ²	0,785 m ²	9,133	6,294 m ³	27,715 m ³
4	22,242	1,146 m ²				
3	13,109	0,628 m ²	1,058 m ²	9,133	10,783 m ³	38,498 m ³
4	22,242	1,488 m ²				
4	22,242	2,634 m ²	3,005 m ²	2,758	8,288 m ³	46,786 m ³
5	25,000	3,377 m ²				
5	25,000	3,377 m ²	2,689 m ²	25,000	67,231 m ³	114,017 m ³
6	50,000	2,002 m ²				
6	50,000	2,002 m ²	1,201 m ²	25,000	30,021 m ³	144,038 m ³
7	75,000	0,400 m ²				
7	75,000	0,400 m ²	1,060 m ²	25,000	26,492 m ³	170,530 m ³
8	100,000	1,720 m ²				
8	100,000	1,720 m ²	1,769 m ²	25,000	44,233 m ³	214,763 m ³
9	125,000	1,819 m ²				
9	125,000	1,819 m ²	1,197 m ²	25,000	29,930 m ³	244,693 m ³
10	150,000	0,575 m ²				
10	150,000	0,575 m ²	2,840 m ²	25,000	70,994 m ³	315,687 m ³
11	175,000	5,104 m ²				
11	175,000	5,104 m ²	4,072 m ²	25,000	101,796 m ³	417,483 m ³
12	200,000	3,039 m ²				
12	200,000	3,039 m ²	2,572 m ²	25,000	64,309 m ³	481,792 m ³
13	225,000	2,105 m ²				
13	225,000	2,105 m ²	1,474 m ²	25,000	36,848 m ³	518,640 m ³
14	250,000	0,843 m ²				
14	250,000	0,843 m ²	0,515 m ²	23,269	11,988 m ³	530,628 m ³
15	273,269	0,188 m ²				
15	273,269	0,004 m ²	0,070 m ²	3,212	0,224 m ³	530,852 m ³
16	276,481	0,136 m ²				
15	273,269	0,184 m ²	0,305 m ²	3,212	0,987 m ³	531,839 m ³
16	276,481	0,426 m ²				
16	276,481	0,136 m ²	0,293 m ²	3,212	0,937 m ³	532,776 m ³
17	279,693	0,451 m ²				

					STERRO (ST)	
Sezione	Distanza progressiva	Area	Area Media	Distanza parziale	Volume	
					Parziale	Totale
16	276,481	0,426 m ²	0,565 m ²	3,212	1,828 m ³	534,604 m ³
Dx	279,693	0,704 m ²				
17	279,693	1,155 m ²	0,792 m ²	20,307	16,093 m ³	550,697 m ³
18	300,000	0,430 m ²				
18	300,000	0,430 m ²	0,957 m ²	25,000	23,934 m ³	574,631 m ³
19	325,000	1,485 m ²				
19	325,000	1,485 m ²	1,283 m ²	25,000	32,080 m ³	606,711 m ³
20	350,000	1,082 m ²				
20	350,000	1,082 m ²	2,067 m ²	25,000	51,677 m ³	658,388 m ³
21	375,000	3,052 m ²				
21	375,000	3,052 m ²	3,167 m ²	25,000	79,165 m ³	737,553 m ³
22	400,000	3,281 m ²				
22	400,000	3,281 m ²	1,994 m ²	25,000	49,854 m ³	787,407 m ³
23	425,000	0,707 m ²				
23	425,000	0,707 m ²	0,493 m ²	25,000	12,327 m ³	799,734 m ³
24	450,000	0,279 m ²				
24	450,000	0,279 m ²	0,143 m ²	25,000	3,575 m ³	803,309 m ³
25	475,000	0,007 m ²				
25	475,000	0,007 m ²	0,004 m ²	25,000	0,098 m ³	803,407 m ³
26	500,000	0,001 m ²				
26	500,000	0,001 m ²	0,032 m ²	25,000	0,803 m ³	804,210 m ³
27	525,000	0,064 m ²				
27	525,000	0,064 m ²	0,742 m ²	25,000	18,562 m ³	822,772 m ³
28	550,000	1,421 m ²				
28	550,000	1,421 m ²	1,254 m ²	25,000	31,355 m ³	854,127 m ³
29	575,000	1,087 m ²				
29	575,000	1,087 m ²	1,394 m ²	25,754	35,902 m ³	890,029 m ³
30	600,754	1,701 m ²				

PISTA PT.07

Codice	Descrizione	Quantità
FONDA	STRATO DI FONDAZIONE	2467,509 m ³
RI	RILEVATO	196,882 m ³
ST	STERRO	2647,747 m ³

STRATO DI FONDAZIONE (FONDA)

Sezione	Distanza progressiva	Area	Area Media	Distanza parziale	Volume	
					Parziale	Totale
1	0,000	1,800 m ²	1,800 m ²	25,000	45,000 m ³	45,000 m ³
2	25,000	1,800 m ²	1,800 m ²	19,087	34,356 m ³	79,356 m ³
2	25,000	1,800 m ²	1,800 m ²	19,087	34,356 m ³	79,356 m ³
3	44,087	1,800 m ²	1,800 m ²	19,087	34,356 m ³	79,356 m ³
3	44,087	1,050 m ²	1,050 m ²	5,457	5,780 m ³	85,136 m ³
4	49,544	1,050 m ²	1,050 m ²	5,457	5,780 m ³	85,136 m ³
3	44,087	0,750 m ²	0,750 m ²	5,457	4,067 m ³	89,203 m ³
4	49,544	0,750 m ²	0,750 m ²	5,457	4,067 m ³	89,203 m ³
4	49,544	1,050 m ²	1,050 m ²	5,457	5,780 m ³	94,983 m ³
5	55,001	1,050 m ²	1,050 m ²	5,457	5,780 m ³	94,983 m ³
4	49,544	0,750 m ²	0,750 m ²	5,457	4,067 m ³	99,050 m ³
5	55,001	0,750 m ²	0,750 m ²	5,457	4,067 m ³	99,050 m ³
5	55,001	1,800 m ²	1,800 m ²	19,999	35,998 m ³	135,048 m ³
6	75,000	1,800 m ²	1,800 m ²	19,999	35,998 m ³	135,048 m ³
6	75,000	1,800 m ²	1,800 m ²	13,487	24,276 m ³	159,324 m ³
7	88,487	1,800 m ²	1,800 m ²	13,487	24,276 m ³	159,324 m ³
7	88,487	1,050 m ²	1,050 m ²	2,948	3,068 m ³	162,392 m ³
8	91,435	1,050 m ²	1,050 m ²	2,948	3,068 m ³	162,392 m ³
7	88,487	0,750 m ²	0,750 m ²	2,948	2,225 m ³	164,617 m ³
8	91,435	0,750 m ²	0,750 m ²	2,948	2,225 m ³	164,617 m ³
8	91,435	1,050 m ²	1,050 m ²	2,948	3,068 m ³	167,685 m ³
9	94,383	1,050 m ²	1,050 m ²	2,948	3,068 m ³	167,685 m ³
8	91,435	0,750 m ²	0,750 m ²	2,948	2,225 m ³	169,910 m ³
9	94,383	0,750 m ²	0,750 m ²	2,948	2,225 m ³	169,910 m ³
9	94,383	1,800 m ²	1,800 m ²	5,617	10,111 m ³	180,021 m ³
10	100,000	1,800 m ²	1,800 m ²	5,617	10,111 m ³	180,021 m ³
10	100,000	1,800 m ²	1,800 m ²	25,000	45,000 m ³	225,021 m ³
11	125,000	1,800 m ²	1,800 m ²	25,000	45,000 m ³	225,021 m ³
11	125,000	1,800 m ²	1,800 m ²	25,000	45,000 m ³	270,021 m ³
12	150,000	1,800 m ²	1,800 m ²	25,000	45,000 m ³	270,021 m ³
12	150,000	1,800 m ²	1,800 m ²	24,852	44,734 m ³	314,755 m ³
13	174,852	1,800 m ²	1,800 m ²	24,852	44,734 m ³	314,755 m ³
13	174,852	1,050 m ²	1,050 m ²	3,576	3,742 m ³	318,497 m ³
14	178,427	1,050 m ²	1,050 m ²	3,576	3,742 m ³	318,497 m ³
13	174,852	0,750 m ²	0,750 m ²	3,576	2,689 m ³	321,186 m ³
14	178,427	0,750 m ²	0,750 m ²	3,576	2,689 m ³	321,186 m ³
14	178,427	1,050 m ²	1,050 m ²	3,576	3,742 m ³	324,928 m ³
15	182,003	1,050 m ²	1,050 m ²	3,576	3,742 m ³	324,928 m ³

STRATO DI FONDAZIONE (FONDA)

Sezione	Distanza progressiva	Area	Area Media	Distanza parziale	Volume	
					Parziale	Totale
14	178,427	0,750 m ²	0,750 m ²	3,576	2,689 m ³	327,617 m ³
Dx	182,003	0,750 m ²	1,800 m ²	17,997	32,395 m ³	360,012 m ³
15	182,003	1,800 m ²	1,800 m ²	25,000	45,000 m ³	405,012 m ³
16	200,000	1,800 m ²	1,800 m ²	25,000	45,000 m ³	450,012 m ³
16	200,000	1,800 m ²	1,800 m ²	21,297	38,335 m ³	488,347 m ³
17	225,000	1,800 m ²	1,800 m ²	3,703	3,922 m ³	492,269 m ³
17	225,000	1,800 m ²	1,800 m ²	3,703	2,760 m ³	495,029 m ³
18	250,000	1,800 m ²	1,050 m ²	3,359	3,558 m ³	498,587 m ³
18	250,000	1,800 m ²	1,050 m ²	3,359	2,503 m ³	501,090 m ³
19	271,297	1,800 m ²	1,050 m ²	7,062	7,480 m ³	508,570 m ³
19	271,297	1,050 m ²	1,050 m ²	7,062	5,264 m ³	513,834 m ³
19	271,297	0,750 m ²	1,800 m ²	14,579	26,242 m ³	540,076 m ³
20	275,000	1,050 m ²	1,800 m ²	25,000	45,000 m ³	585,076 m ³
20	275,000	1,050 m ²	1,800 m ²	25,000	45,000 m ³	630,076 m ³
20	275,000	0,750 m ²	1,800 m ²	12,801	23,042 m ³	653,118 m ³
21	278,359	1,050 m ²	1,050 m ²	1,659	1,757 m ³	654,875 m ³
21	278,359	0,750 m ²	0,750 m ²	1,659	1,236 m ³	656,111 m ³
21	278,359	1,050 m ²	1,050 m ²	1,659	1,757 m ³	657,868 m ³
22	285,421	1,050 m ²	1,050 m ²	1,659	1,757 m ³	657,868 m ³
22	285,421	0,750 m ²	0,750 m ²	1,659	1,236 m ³	659,104 m ³
22	285,421	1,800 m ²	1,800 m ²	1,659	1,236 m ³	659,104 m ³
23	300,000	1,800 m ²	1,800 m ²			
23	300,000	1,800 m ²	1,800 m ²			
24	325,000	1,800 m ²	1,800 m ²			
24	325,000	1,800 m ²	1,800 m ²			
25	350,000	1,800 m ²	1,800 m ²			
25	350,000	1,800 m ²	1,800 m ²			
26	362,801	1,800 m ²	1,800 m ²			
26	362,801	1,050 m ²	1,050 m ²			
26	362,801	0,750 m ²	0,750 m ²			
27	364,461	1,050 m ²	1,050 m ²			
27	364,461	0,750 m ²	0,750 m ²			
27	364,461	1,050 m ²	1,050 m ²			
28	366,120	1,050 m ²	1,050 m ²			
27	364,461	0,750 m ²	0,750 m ²			
28	366,120	0,750 m ²	0,750 m ²			

STRATO DI FONDAZIONE (FONDA)

Sezione	Distanza progressiva	Area	Area Media	Distanza parziale	Volume	
					Parziale	Totale
28	366,120	1,800 m ²	1,800 m ²	8,880	15,984 m ³	675,088 m ³
29	375,000	1,800 m ²	1,800 m ²	25,000	45,000 m ³	720,088 m ³
29	375,000	1,800 m ²	1,800 m ²	22,136	39,845 m ³	759,933 m ³
30	400,000	1,800 m ²	1,800 m ²	18,460	33,228 m ³	810,047 m ³
30	400,000	1,800 m ²	1,800 m ²	23,363	42,053 m ³	852,100 m ³
31	422,136	1,800 m ²	1,800 m ²	16,504	29,707 m ³	900,091 m ³
31	422,136	1,050 m ²	1,050 m ²	5,066	5,366 m ³	857,466 m ³
32	426,838	1,050 m ²	1,050 m ²	5,066	3,776 m ³	861,242 m ³
31	422,136	0,750 m ²	0,750 m ²	5,066	5,366 m ³	866,608 m ³
32	426,838	0,750 m ²	0,750 m ²	5,066	3,776 m ³	870,384 m ³
32	426,838	1,050 m ²	1,050 m ²	16,504	29,707 m ³	900,091 m ³
33	431,540	1,050 m ²	1,050 m ²	25,000	45,000 m ³	945,091 m ³
32	426,838	0,750 m ²	0,750 m ²	25,000	45,000 m ³	990,091 m ³
33	431,540	0,750 m ²	0,750 m ²	22,190	39,942 m ³	1030,033 m ³
33	431,540	1,800 m ²	1,800 m ²	22,190	39,942 m ³	1030,033 m ³
34	450,000	1,800 m ²	1,800 m ²	3,344	3,542 m ³	1033,575 m ³
34	450,000	1,800 m ²	1,800 m ²	3,344	2,492 m ³	1036,067 m ³
35	473,363	1,800 m ²	1,800 m ²			
35	473,363	1,050 m ²	1,050 m ²			
36	478,430	1,050 m ²	1,050 m ²			
35	473,363	0,750 m ²	0,750 m ²			
36	478,430	0,750 m ²	0,750 m ²			
36	478,430	1,050 m ²	1,050 m ²			
37	483,496	1,050 m ²	1,050 m ²			
36	478,430	0,750 m ²	0,750 m ²			
37	483,496	0,750 m ²	0,750 m ²			
37	483,496	1,800 m ²	1,800 m ²			
38	500,000	1,800 m ²	1,800 m ²			
38	500,000	1,800 m ²	1,800 m ²			
39	525,000	1,800 m ²	1,800 m ²			
39	525,000	1,800 m ²	1,800 m ²			
40	550,000	1,800 m ²	1,800 m ²			
40	550,000	1,800 m ²	1,800 m ²			
41	572,190	1,800 m ²	1,800 m ²			
41	572,190	1,050 m ²	1,050 m ²			
42	575,534	1,050 m ²	1,050 m ²			
41	572,190	0,750 m ²	0,750 m ²			
42	575,534	0,750 m ²	0,750 m ²			

STRATO DI FONDAZIONE (FONDA)

Sezione	Distanza progressiva	Area	Area Media	Distanza parziale	Volume		
					Parziale	Totale	
42	Sx	575,534	1,050 m ²	1,050 m ²	3,344	3,542 m ³	1039,609 m ³
43		578,879	1,050 m ²				
42	Dx	575,534	0,750 m ²	0,750 m ²	3,344	2,492 m ³	1042,101 m ³
43		578,879	0,750 m ²				
43		578,879	1,800 m ²	1,800 m ²	21,121	38,018 m ³	1080,119 m ³
44		600,000	1,800 m ²				
44		600,000	1,800 m ²	1,800 m ²	25,000	45,000 m ³	1125,119 m ³
45		625,000	1,800 m ²				
45		625,000	1,800 m ²	1,800 m ²	4,067	7,320 m ³	1132,439 m ³
46		629,067	1,800 m ²				
46	Sx	629,067	1,050 m ²	1,050 m ²	5,168	5,379 m ³	1137,818 m ³
47		634,234	1,050 m ²				
46	Dx	629,067	0,750 m ²	0,750 m ²	5,168	3,900 m ³	1141,718 m ³
47		634,234	0,750 m ²				
47	Sx	634,234	1,050 m ²	1,050 m ²	5,168	5,379 m ³	1147,097 m ³
48		639,402	1,050 m ²				
47	Dx	634,234	0,750 m ²	0,750 m ²	5,168	3,900 m ³	1150,997 m ³
48		639,402	0,750 m ²				
48		639,402	1,800 m ²	1,800 m ²	10,598	19,077 m ³	1170,074 m ³
49		650,000	1,800 m ²				
49		650,000	1,800 m ²	1,800 m ²	25,000	45,000 m ³	1215,074 m ³
50		675,000	1,800 m ²				
50		675,000	1,800 m ²	1,800 m ²	13,777	24,799 m ³	1239,873 m ³
51		688,777	1,800 m ²				
51	Sx	688,777	1,050 m ²	1,050 m ²	11,223	11,681 m ³	1251,554 m ³
52		700,000	1,050 m ²				
51	Dx	688,777	0,750 m ²	0,750 m ²	11,223	8,470 m ³	1260,024 m ³
52		700,000	0,750 m ²				
52	Sx	700,000	1,050 m ²	1,050 m ²	4,556	4,742 m ³	1264,766 m ³
53		704,556	1,050 m ²				
52	Dx	700,000	0,750 m ²	0,750 m ²	4,556	3,438 m ³	1268,204 m ³
53		704,556	0,750 m ²				
53	Sx	704,556	1,050 m ²	1,050 m ²	15,779	16,423 m ³	1284,627 m ³
54		720,334	1,050 m ²				
53	Dx	704,556	0,750 m ²	0,750 m ²	15,779	11,908 m ³	1296,535 m ³
54		720,334	0,750 m ²				
54		720,334	1,800 m ²	1,800 m ²	5,186	9,334 m ³	1305,869 m ³
55		725,521	1,800 m ²				

STRATO DI FONDAZIONE (FONDA)

Sezione	Distanza progressiva	Area	Area Media	Distanza parziale	Volume	
					Parziale	Totale
55 Sx	725,521	1,050 m ²	1,050 m ²	11,866	12,568 m ³	1318,437 m ³
56	737,386	1,050 m ²				
55 Dx	725,521	0,750 m ²	0,750 m ²	11,866	8,843 m ³	1327,280 m ³
56	737,386	0,750 m ²				
56 Sx	737,386	1,050 m ²	1,050 m ²	11,866	12,568 m ³	1339,848 m ³
57	749,252	1,050 m ²				
56 Dx	737,386	0,750 m ²	0,750 m ²	11,866	8,844 m ³	1348,692 m ³
57	749,252	0,750 m ²				
57	749,252	1,800 m ²	1,800 m ²	25,748	46,346 m ³	1395,038 m ³
58	775,000	1,800 m ²				
58	775,000	1,800 m ²	1,800 m ²	25,000	45,000 m ³	1440,038 m ³
59	800,000	1,800 m ²				
59	800,000	1,800 m ²	1,800 m ²	6,460	11,628 m ³	1451,666 m ³
60	806,460	1,800 m ²				
60 Sx	806,460	1,050 m ²	1,050 m ²	6,666	7,060 m ³	1458,726 m ³
61	813,126	1,050 m ²				
60 Dx	806,460	0,750 m ²	0,750 m ²	6,666	4,968 m ³	1463,694 m ³
61	813,126	0,750 m ²				
61 Sx	813,126	1,050 m ²	1,050 m ²	6,666	7,060 m ³	1470,754 m ³
62	819,792	1,050 m ²				
61 Dx	813,126	0,750 m ²	0,750 m ²	6,666	4,969 m ³	1475,723 m ³
62	819,792	0,750 m ²				
62	819,792	1,800 m ²	1,800 m ²	5,208	9,374 m ³	1485,097 m ³
63	825,000	1,800 m ²				
63	825,000	1,800 m ²	1,800 m ²	25,000	45,000 m ³	1530,097 m ³
64	850,000	1,800 m ²				
64	850,000	1,800 m ²	1,800 m ²	8,193	14,748 m ³	1544,845 m ³
65	858,193	1,800 m ²				
65 Sx	858,193	1,050 m ²	1,050 m ²	4,804	5,088 m ³	1549,933 m ³
66	862,997	1,050 m ²				
65 Dx	858,193	0,750 m ²	0,750 m ²	4,804	3,580 m ³	1553,513 m ³
66	862,997	0,750 m ²				
66 Sx	862,997	1,050 m ²	1,050 m ²	4,804	5,088 m ³	1558,601 m ³
67	867,801	1,050 m ²				
66 Dx	862,997	0,750 m ²	0,750 m ²	4,804	3,580 m ³	1562,181 m ³
67	867,801	0,750 m ²				
67	867,801	1,800 m ²	1,800 m ²	7,199	12,958 m ³	1575,139 m ³
68	875,000	1,800 m ²				

STRATO DI FONDAZIONE (FONDA)

Sezione	Distanza progressiva	Area	Area Media	Distanza parziale	Volume	
					Parziale	Totale
68	875,000	1,800 m ²	1,800 m ²	21,000	37,800 m ³	1612,939 m ³
69	896,000	1,800 m ²				
69 Sx	896,000	1,050 m ²	1,050 m ²	4,000	4,237 m ³	1617,176 m ³
70	900,000	1,050 m ²				
69 Dx	896,000	0,750 m ²	0,750 m ²	4,000	2,981 m ³	1620,157 m ³
70	900,000	0,750 m ²				
70 Sx	900,000	1,050 m ²	1,050 m ²	3,849	4,076 m ³	1624,233 m ³
71	903,849	1,050 m ²				
70 Dx	900,000	0,750 m ²	0,750 m ²	3,849	2,869 m ³	1627,102 m ³
71	903,849	0,750 m ²				
71 Sx	903,849	1,050 m ²	1,050 m ²	7,849	8,313 m ³	1635,415 m ³
72	911,698	1,050 m ²				
71 Dx	903,849	0,750 m ²	0,750 m ²	7,849	5,850 m ³	1641,265 m ³
72	911,698	0,750 m ²				
72	911,698	1,800 m ²	1,800 m ²	13,302	23,944 m ³	1665,209 m ³
73	925,000	1,800 m ²				
73	925,000	1,800 m ²	1,800 m ²	25,000	45,000 m ³	1710,209 m ³
74	950,000	1,800 m ²				
74	950,000	1,800 m ²	1,800 m ²	10,991	19,784 m ³	1729,993 m ³
75	960,991	1,800 m ²				
75 Sx	960,991	1,050 m ²	1,050 m ²	12,685	13,202 m ³	1743,195 m ³
76	973,676	1,050 m ²				
75 Dx	960,991	0,750 m ²	0,750 m ²	12,685	9,573 m ³	1752,768 m ³
76	973,676	0,750 m ²				
76 Sx	973,676	1,050 m ²	1,050 m ²	12,685	13,202 m ³	1765,970 m ³
77	986,361	1,050 m ²				
76 Dx	973,676	0,750 m ²	0,750 m ²	12,685	9,573 m ³	1775,543 m ³
77	986,361	0,750 m ²				
77	986,361	1,800 m ²	1,800 m ²	13,639	24,550 m ³	1800,093 m ³
78	1000,000	1,800 m ²				
78	1000,000	1,800 m ²	1,800 m ²	19,239	34,630 m ³	1834,723 m ³
79	1019,239	1,800 m ²				
79 Sx	1019,239	1,050 m ²	1,050 m ²	5,138	5,348 m ³	1840,071 m ³
80	1024,376	1,050 m ²				
79 Dx	1019,239	0,750 m ²	0,750 m ²	5,138	3,878 m ³	1843,949 m ³
80	1024,376	0,750 m ²				
80 Sx	1024,376	1,050 m ²	1,050 m ²	5,138	5,348 m ³	1849,297 m ³
81	1029,514	1,050 m ²				

STRATO DI FONDAZIONE (FONDA)

Sezione	Distanza progressiva	Area	Area Media	Distanza parziale	Volume	
					Parziale	Totale
80	1024,376	0,750 m ²	0,750 m ²	5,138	3,878 m ³	1853,175 m ³
81	1029,514	0,750 m ²	0,750 m ²			
81	1029,514	1,800 m ²	1,800 m ²	20,486	36,874 m ³	1890,049 m ³
82	1050,000	1,800 m ²	1,800 m ²			
82	1050,000	1,800 m ²	1,800 m ²	25,000	45,000 m ³	1935,049 m ³
83	1075,000	1,800 m ²	1,800 m ²			
83	1075,000	1,800 m ²	1,800 m ²	25,000	45,000 m ³	1980,049 m ³
84	1100,000	1,800 m ²	1,800 m ²			
84	1100,000	1,800 m ²	1,800 m ²	12,352	22,234 m ³	2002,283 m ³
85	1112,352	1,800 m ²	1,800 m ²			
85	1112,352	1,050 m ²	1,050 m ²	12,648	12,764 m ³	2015,047 m ³
86	1125,000	1,050 m ²	1,050 m ²			
85	1112,352	0,750 m ²	0,750 m ²	12,648	9,750 m ³	2024,797 m ³
86	1125,000	0,750 m ²	0,750 m ²			
86	1125,000	1,050 m ²	1,050 m ²	9,202	9,286 m ³	2034,083 m ³
87	1134,202	1,050 m ²	1,050 m ²			
86	1125,000	0,750 m ²	0,750 m ²	9,202	7,094 m ³	2041,177 m ³
87	1134,202	0,750 m ²	0,750 m ²			
87	1134,202	1,050 m ²	1,050 m ²	15,798	15,943 m ³	2057,120 m ³
88	1150,000	1,050 m ²	1,050 m ²			
87	1134,202	0,750 m ²	0,750 m ²	15,798	12,178 m ³	2069,298 m ³
88	1150,000	0,750 m ²	0,750 m ²			
88	1150,000	1,050 m ²	1,050 m ²	6,053	6,109 m ³	2075,407 m ³
89	1156,053	1,050 m ²	1,050 m ²			
88	1150,000	0,750 m ²	0,750 m ²	6,053	4,666 m ³	2080,073 m ³
89	1156,053	0,750 m ²	0,750 m ²			
89	1156,053	1,800 m ²	1,800 m ²	18,947	34,104 m ³	2114,177 m ³
90	1175,000	1,800 m ²	1,800 m ²			
90	1175,000	1,800 m ²	1,800 m ²	18,353	33,036 m ³	2147,213 m ³
91	1193,353	1,800 m ²	1,800 m ²			
91	1193,353	1,050 m ²	1,050 m ²	5,224	5,698 m ³	2152,911 m ³
92	1198,578	1,050 m ²	1,050 m ²			
91	1193,353	0,750 m ²	0,750 m ²	5,224	3,809 m ³	2156,720 m ³
92	1198,578	0,750 m ²	0,750 m ²			
92	1198,578	1,050 m ²	1,050 m ²	5,224	5,698 m ³	2162,418 m ³
93	1203,802	1,050 m ²	1,050 m ²			
92	1198,578	0,750 m ²	0,750 m ²	5,224	3,809 m ³	2166,227 m ³
93	1203,802	0,750 m ²	0,750 m ²			

STRATO DI FONDAZIONE (FONDA)

Sezione	Distanza progressiva	Area	Area Media	Distanza parziale	Volume	
					Parziale	Totale
93	1203,802	1,800 m ²	1,800 m ²	15,199	27,358 m ³	2193,585 m ³
94	1219,001	1,800 m ²				
94 Sx	1219,001	1,050 m ²	1,050 m ²	7,200	7,854 m ³	2201,439 m ³
95	1226,201	1,050 m ²				
94 Dx	1219,001	0,750 m ²	0,750 m ²	7,200	5,250 m ³	2206,689 m ³
95	1226,201	0,750 m ²				
95 Sx	1226,201	1,050 m ²	1,050 m ²	7,200	7,854 m ³	2214,543 m ³
96	1233,401	1,050 m ²				
95 Dx	1226,201	0,750 m ²	0,750 m ²	7,200	5,250 m ³	2219,793 m ³
96	1233,401	0,750 m ²				
96	1233,401	1,800 m ²	1,800 m ²	16,599	29,878 m ³	2249,671 m ³
97	1250,000	1,800 m ²				
97	1250,000	1,800 m ²	1,800 m ²	3,061	5,510 m ³	2255,181 m ³
98	1253,061	1,800 m ²				
98 Sx	1253,061	1,050 m ²	1,050 m ²	4,439	4,842 m ³	2260,023 m ³
99	1257,500	1,050 m ²				
98 Dx	1253,061	0,750 m ²	0,750 m ²	4,439	3,237 m ³	2263,260 m ³
99	1257,500	0,750 m ²				
99 Sx	1257,500	1,050 m ²	1,050 m ²	4,439	4,842 m ³	2268,102 m ³
100	1261,939	1,050 m ²				
99 Dx	1257,500	0,750 m ²	0,750 m ²	4,439	3,237 m ³	2271,339 m ³
100	1261,939	0,750 m ²				
100	1261,939	1,800 m ²	1,800 m ²	13,061	23,510 m ³	2294,849 m ³
101	1275,000	1,800 m ²				
101	1275,000	1,800 m ²	1,800 m ²	25,000	45,000 m ³	2339,849 m ³
102	1300,000	1,800 m ²				
102	1300,000	1,800 m ²	1,800 m ²	16,118	29,013 m ³	2368,862 m ³
103	1316,118	1,800 m ²				
103 Sx	1316,118	1,050 m ²	1,050 m ²	1,476	1,564 m ³	2370,426 m ³
104	1317,594	1,050 m ²				
103 Dx	1316,118	0,750 m ²	0,750 m ²	1,476	1,100 m ³	2371,526 m ³
104	1317,594	0,750 m ²				
104 Sx	1317,594	1,050 m ²	1,050 m ²	1,476	1,564 m ³	2373,090 m ³
105	1319,070	1,050 m ²				
104 Dx	1317,594	0,750 m ²	0,750 m ²	1,476	1,100 m ³	2374,190 m ³
105	1319,070	0,750 m ²				
105	1319,070	1,800 m ²	1,800 m ²	5,930	10,675 m ³	2384,865 m ³
106	1325,000	1,800 m ²				

STRATO DI FONDAZIONE (FONDA)

Sezione	Distanza progressiva	Area	Area Media	Distanza parziale	Volume	
					Parziale	Totale
106	1325,000	1,800 m ²	1,800 m ²	19,250	34,649 m ³	2419,514 m ³
107	1344,250	1,800 m ²				
107 Sx	1344,250	1,050 m ²	1,050 m ²	5,670	6,006 m ³	2425,520 m ³
108	1349,920	1,050 m ²				
107 Dx	1344,250	0,750 m ²	0,750 m ²	5,670	4,226 m ³	2429,746 m ³
108	1349,920	0,750 m ²				
108 Sx	1349,920	1,050 m ²	1,050 m ²	5,670	6,006 m ³	2435,752 m ³
109	1355,590	1,050 m ²				
108 Dx	1349,920	0,750 m ²	0,750 m ²	5,670	4,226 m ³	2439,978 m ³
109	1355,590	0,750 m ²				
109	1355,590	1,800 m ²	1,800 m ²	15,295	27,531 m ³	2467,509 m ³
110	1370,884	1,800 m ²				

COMPUTO DELLE QUANTITA'

					RILEVATO (RI)	
Sezione	Distanza progressiva	Area	Area Media	Distanza parziale	Volume	
					Parziale	Totale
1	0,000	0,000 m ²	0,006 m ²	25,000	0,147 m ³	0,147 m ³
2	25,000	0,012 m ²	0,006 m ²	19,087	0,120 m ³	0,267 m ³
2	25,000	0,012 m ²	0,006 m ²	19,087	0,120 m ³	0,267 m ³
3	44,087	0,001 m ²	0,008 m ²	5,457	0,044 m ³	0,311 m ³
3	44,087	0,000 m ²	0,008 m ²	5,457	0,044 m ³	0,311 m ³
4	49,544	0,016 m ²	0,018 m ²	5,457	0,100 m ³	0,411 m ³
3	44,087	0,001 m ²	0,018 m ²	5,457	0,100 m ³	0,411 m ³
4	49,544	0,036 m ²	0,010 m ²	5,457	0,054 m ³	0,465 m ³
4	49,544	0,016 m ²	0,010 m ²	5,457	0,054 m ³	0,465 m ³
5	55,001	0,003 m ²	0,027 m ²	5,457	0,146 m ³	0,611 m ³
4	49,544	0,036 m ²	0,027 m ²	5,457	0,146 m ³	0,611 m ³
5	55,001	0,018 m ²	0,117 m ²	19,999	2,331 m ³	2,942 m ³
5	55,001	0,021 m ²	0,117 m ²	19,999	2,331 m ³	2,942 m ³
6	75,000	0,212 m ²	0,292 m ²	13,487	3,944 m ³	6,886 m ³
6	75,000	0,212 m ²	0,292 m ²	13,487	3,944 m ³	6,886 m ³
7	88,487	0,373 m ²	0,220 m ²	2,948	0,635 m ³	7,521 m ³
7	88,487	0,232 m ²	0,220 m ²	2,948	0,635 m ³	7,521 m ³
8	91,435	0,207 m ²	0,220 m ²	2,948	0,659 m ³	8,180 m ³
7	88,487	0,141 m ²	0,220 m ²	2,948	0,659 m ³	8,180 m ³
8	91,435	0,300 m ²	0,352 m ²	2,948	1,020 m ³	9,200 m ³
8	91,435	0,207 m ²	0,352 m ²	2,948	1,020 m ³	9,200 m ³
9	94,383	0,498 m ²	0,299 m ²	2,948	0,896 m ³	10,096 m ³
8	91,435	0,300 m ²	0,299 m ²	2,948	0,896 m ³	10,096 m ³
9	94,383	0,299 m ²	0,650 m ²	5,617	3,649 m ³	13,745 m ³
9	94,383	0,797 m ²	0,650 m ²	5,617	3,649 m ³	13,745 m ³
10	100,000	0,502 m ²	0,538 m ²	25,000	13,449 m ³	27,194 m ³
10	100,000	0,502 m ²	0,538 m ²	25,000	13,449 m ³	27,194 m ³
11	125,000	0,574 m ²	0,287 m ²	25,000	7,173 m ³	34,367 m ³
11	125,000	0,574 m ²	0,287 m ²	25,000	7,173 m ³	34,367 m ³
12	150,000	0,000 m ²	0,030 m ²	24,852	0,741 m ³	35,108 m ³
12	150,000	0,000 m ²	0,030 m ²	24,852	0,741 m ³	35,108 m ³
13	174,852	0,060 m ²	0,030 m ²	3,576	0,107 m ³	35,215 m ³
13	174,852	0,060 m ²	0,030 m ²	3,576	0,107 m ³	35,215 m ³
14	178,427	0,000 m ²	0,003 m ²	17,997	0,059 m ³	35,274 m ³
15	182,003	0,000 m ²	0,003 m ²	17,997	0,059 m ³	35,274 m ³
16	200,000	0,006 m ²	0,003 m ²	25,000	0,080 m ³	35,354 m ³
16	200,000	0,006 m ²	0,003 m ²	25,000	0,080 m ³	35,354 m ³
17	225,000	0,000 m ²				

					RILEVATO (RI)	
Sezione	Distanza progressiva	Area	Area Media	Distanza parziale	Volume	
					Parziale	Totale
17	225,000	0,000 m ²	0,033 m ²	25,000	0,817 m ³	36,171 m ³
18	250,000	0,065 m ²				
18	250,000	0,065 m ²	0,058 m ²	21,297	1,233 m ³	37,404 m ³
19	271,297	0,050 m ²				
19	271,297	0,050 m ²	0,055 m ²	3,703	0,209 m ³	37,613 m ³
20	275,000	0,060 m ²				
20	275,000	0,060 m ²	0,063 m ²	3,359	0,215 m ³	37,828 m ³
21	278,359	0,066 m ²				
21	278,359	0,066 m ²	0,064 m ²	7,062	0,463 m ³	38,291 m ³
22	285,421	0,063 m ²				
22	285,421	0,063 m ²	0,092 m ²	14,579	1,340 m ³	39,631 m ³
23	300,000	0,121 m ²				
23	300,000	0,121 m ²	0,060 m ²	25,000	1,508 m ³	41,139 m ³
24	325,000	0,000 m ²				
25	350,000	0,000 m ²	0,034 m ²	12,801	0,436 m ³	41,575 m ³
26	362,801	0,068 m ²				
26	362,801	0,039 m ²	0,028 m ²	1,659	0,048 m ³	41,623 m ³
27	364,461	0,017 m ²				
26	362,801	0,029 m ²	0,044 m ²	1,659	0,073 m ³	41,696 m ³
27	364,461	0,060 m ²				
27	364,461	0,017 m ²	0,008 m ²	1,659	0,014 m ³	41,710 m ³
28	366,120	0,000 m ²				
27	364,461	0,060 m ²	0,069 m ²	1,659	0,113 m ³	41,823 m ³
28	366,120	0,078 m ²				
28	366,120	0,078 m ²	0,050 m ²	8,880	0,443 m ³	42,266 m ³
29	375,000	0,022 m ²				
29	375,000	0,022 m ²	0,132 m ²	25,000	3,312 m ³	45,578 m ³
30	400,000	0,243 m ²				
30	400,000	0,243 m ²	0,122 m ²	22,136	2,693 m ³	48,271 m ³
31	422,136	0,000 m ²				
33	431,540	0,000 m ²	0,063 m ²	18,460	1,168 m ³	49,439 m ³
34	450,000	0,127 m ²				
34	450,000	0,127 m ²	0,089 m ²	23,363	2,075 m ³	51,514 m ³
35	473,363	0,051 m ²				
35	473,363	0,051 m ²	0,053 m ²	5,066	0,276 m ³	51,790 m ³
36	478,430	0,056 m ²				
36	478,430	0,056 m ²	0,064 m ²	5,066	0,330 m ³	52,120 m ³
37	483,496	0,072 m ²				

					RILEVATO (RI)	
Sezione	Distanza progressiva	Area	Area Media	Distanza parziale	Volume	
					Parziale	Totale
37	483,496	0,072 m ²	0,036 m ²	16,504	0,592 m ³	52,712 m ³
38	500,000	0,000 m ²				
38	500,000	0,000 m ²	0,040 m ²	25,000	1,004 m ³	53,716 m ³
39	525,000	0,080 m ²				
39	525,000	0,080 m ²	0,075 m ²	25,000	1,879 m ³	55,595 m ³
40	550,000	0,070 m ²				
40	550,000	0,070 m ²	0,035 m ²	22,190	0,776 m ³	56,371 m ³
41	572,190	0,000 m ²				
44	600,000	0,000 m ²	0,017 m ²	25,000	0,433 m ³	56,804 m ³
45	625,000	0,035 m ²				
45	625,000	0,035 m ²	0,033 m ²	4,067	0,136 m ³	56,940 m ³
46	629,067	0,032 m ²				
46	629,067	0,032 m ²	0,034 m ²	5,168	0,171 m ³	57,111 m ³
47	634,234	0,035 m ²				
47	634,234	0,035 m ²	0,030 m ²	5,168	0,154 m ³	57,265 m ³
48	639,402	0,026 m ²				
48	639,402	0,026 m ²	0,036 m ²	10,598	0,379 m ³	57,644 m ³
49	650,000	0,046 m ²				
49	650,000	0,046 m ²	0,031 m ²	25,000	0,766 m ³	58,410 m ³
50	675,000	0,015 m ²				
50	675,000	0,015 m ²	0,008 m ²	13,777	0,105 m ³	58,515 m ³
51	688,777	0,000 m ²				
53	704,556	0,000 m ²	0,049 m ²	15,779	0,760 m ³	59,275 m ³
54	720,334	0,097 m ²				
54	720,334	0,097 m ²	0,112 m ²	5,186	0,578 m ³	59,853 m ³
55	725,521	0,126 m ²				
55	725,521	0,126 m ²	0,142 m ²	11,866	1,718 m ³	61,571 m ³
56	737,386	0,158 m ²				
56	737,386	0,158 m ²	0,159 m ²	11,866	1,923 m ³	63,494 m ³
57	749,252	0,160 m ²				
56	737,386	0,000 m ²	0,001 m ²	11,866	0,009 m ³	63,503 m ³
57	749,252	0,001 m ²				
57	749,252	0,161 m ²	0,154 m ²	25,748	3,963 m ³	67,466 m ³
58	775,000	0,147 m ²				
58	775,000	0,147 m ²	0,355 m ²	25,000	8,885 m ³	76,351 m ³
59	800,000	0,564 m ²				
59	800,000	0,564 m ²	0,828 m ²	6,460	5,351 m ³	81,702 m ³
60	806,460	1,093 m ²				

					RILEVATO (RI)	
Sezione	Distanza progressiva	Area	Area Media	Distanza parziale	Volume	
					Parziale	Totale
60	806,460	0,654 m ²	0,327 m ²	6,666	2,178 m ³	83,880 m ³
61	813,126	0,000 m ²				
60	806,460	0,439 m ²	0,233 m ²	6,666	1,535 m ³	85,415 m ³
61	813,126	0,028 m ²				
61	813,126	0,028 m ²	0,014 m ²	6,666	0,093 m ³	85,508 m ³
62	819,792	0,000 m ²				
63	825,000	0,000 m ²	0,044 m ²	25,000	1,088 m ³	86,596 m ³
64	850,000	0,087 m ²				
64	850,000	0,087 m ²	0,048 m ²	8,193	0,389 m ³	86,985 m ³
65	858,193	0,008 m ²				
65	858,193	0,008 m ²	0,004 m ²	4,804	0,019 m ³	87,004 m ³
66	862,997	0,000 m ²				
66	862,997	0,000 m ²	0,001 m ²	4,804	0,004 m ³	87,008 m ³
67	867,801	0,002 m ²				
67	867,801	0,002 m ²	0,015 m ²	7,199	0,109 m ³	87,117 m ³
68	875,000	0,028 m ²				
68	875,000	0,028 m ²	0,024 m ²	21,000	0,499 m ³	87,616 m ³
69	896,000	0,019 m ²				
69	896,000	0,019 m ²	0,011 m ²	4,000	0,042 m ³	87,658 m ³
70	900,000	0,003 m ²				
70	900,000	0,003 m ²	0,001 m ²	3,849	0,005 m ³	87,663 m ³
71	903,849	0,000 m ²				
71	903,849	0,000 m ²	0,010 m ²	7,849	0,077 m ³	87,740 m ³
72	911,698	0,020 m ²				
72	911,698	0,020 m ²	0,127 m ²	13,302	1,694 m ³	89,434 m ³
73	925,000	0,235 m ²				
73	925,000	0,235 m ²	0,177 m ²	25,000	4,430 m ³	93,864 m ³
74	950,000	0,119 m ²				
74	950,000	0,119 m ²	0,080 m ²	10,991	0,878 m ³	94,742 m ³
75	960,991	0,041 m ²				
75	960,991	0,041 m ²	0,020 m ²	12,685	0,259 m ³	95,001 m ³
76	973,676	0,000 m ²				
76	973,676	0,000 m ²	0,031 m ²	12,685	0,390 m ³	95,391 m ³
77	986,361	0,062 m ²				
76	973,676	0,000 m ²	0,069 m ²	12,685	0,886 m ³	96,277 m ³
77	986,361	0,139 m ²				
77	986,361	0,201 m ²	0,158 m ²	13,639	2,156 m ³	98,433 m ³
78	1000,000	0,115 m ²				

					RILEVATO (RI)	
Sezione	Distanza progressiva	Area	Area Media	Distanza parziale	Volume	
					Parziale	Totale
78	1000,000	0,115 m ²	0,075 m ²	19,239	1,446 m ³	99,879 m ³
79	1019,239	0,035 m ²				
79	1019,239	0,035 m ²	0,057 m ²	5,138	0,300 m ³	100,179 m ³
80	1024,376	0,080 m ²				
80	1024,376	0,080 m ²	0,040 m ²	5,138	0,211 m ³	100,390 m ³
81	1029,514	0,001 m ²				
81	1029,514	0,001 m ²	0,001 m ²	20,486	0,030 m ³	100,420 m ³
82	1050,000	0,002 m ²				
82	1050,000	0,002 m ²	0,001 m ²	25,000	0,024 m ³	100,444 m ³
83	1075,000	0,000 m ²				
84	1100,000	0,000 m ²	0,196 m ²	12,352	2,420 m ³	102,864 m ³
85	1112,352	0,392 m ²				
85	1112,352	0,070 m ²	0,035 m ²	12,648	0,437 m ³	103,301 m ³
86	1125,000	0,000 m ²				
85	1112,352	0,322 m ²	0,167 m ²	12,648	2,257 m ³	105,558 m ³
86	1125,000	0,011 m ²				
86	1125,000	0,011 m ²	0,137 m ²	9,202	1,350 m ³	106,908 m ³
87	1134,202	0,263 m ²				
87	1134,202	0,000 m ²	0,062 m ²	15,798	0,963 m ³	107,871 m ³
88	1150,000	0,123 m ²				
87	1134,202	0,263 m ²	0,182 m ²	15,798	3,066 m ³	110,937 m ³
88	1150,000	0,100 m ²				
88	1150,000	0,123 m ²	0,085 m ²	6,053	0,469 m ³	111,406 m ³
89	1156,053	0,047 m ²				
88	1150,000	0,100 m ²	0,181 m ²	6,053	1,172 m ³	112,578 m ³
89	1156,053	0,262 m ²				
89	1156,053	0,309 m ²	0,155 m ²	18,947	2,930 m ³	115,508 m ³
90	1175,000	0,000 m ²				
90	1175,000	0,000 m ²	0,109 m ²	18,353	1,993 m ³	117,501 m ³
91	1193,353	0,217 m ²				
91	1193,353	0,217 m ²	0,109 m ²	5,224	0,548 m ³	118,049 m ³
92	1198,578	0,000 m ²				
93	1203,802	0,000 m ²	0,090 m ²	15,199	1,369 m ³	119,418 m ³
94	1219,001	0,180 m ²				
94	1219,001	0,180 m ²	0,302 m ²	7,200	2,373 m ³	121,791 m ³
95	1226,201	0,424 m ²				
95	1226,201	0,424 m ²	0,411 m ²	7,200	3,232 m ³	125,023 m ³
96	1233,401	0,399 m ²				

					RILEVATO (RI)	
Sezione	Distanza progressiva	Area	Area Media	Distanza parziale	Volume	
					Parziale	Totale
96	1233,401	0,399 m ²	0,203 m ²	16,599	3,371 m ³	128,394 m ³
97	1250,000	0,007 m ²				
97	1250,000	0,007 m ²	0,004 m ²	3,061	0,011 m ³	128,405 m ³
98	1253,061	0,000 m ²				
100	1261,939	0,000 m ²	0,447 m ²	13,061	5,839 m ³	134,244 m ³
101	1275,000	0,894 m ²				
101	1275,000	0,894 m ²	0,554 m ²	25,000	13,851 m ³	148,095 m ³
102	1300,000	0,214 m ²				
102	1300,000	0,214 m ²	0,151 m ²	16,118	2,426 m ³	150,521 m ³
103	1316,118	0,087 m ²				
103	Sx 1316,118	0,004 m ²	0,018 m ²	1,476	0,027 m ³	150,548 m ³
104	1317,594	0,032 m ²				
103	Dx 1316,118	0,083 m ²	0,063 m ²	1,476	0,093 m ³	150,641 m ³
104	1317,594	0,043 m ²				
104	Sx 1317,594	0,032 m ²	0,049 m ²	1,476	0,073 m ³	150,714 m ³
105	1319,070	0,066 m ²				
104	Dx 1317,594	0,043 m ²	0,028 m ²	1,476	0,042 m ³	150,756 m ³
105	1319,070	0,013 m ²				
105	1319,070	0,080 m ²	0,100 m ²	5,930	0,593 m ³	151,349 m ³
106	1325,000	0,120 m ²				
106	1325,000	0,120 m ²	0,404 m ²	19,250	7,770 m ³	159,119 m ³
107	1344,250	0,687 m ²				
107	Sx 1344,250	0,315 m ²	0,529 m ²	5,670	3,013 m ³	162,132 m ³
108	1349,920	0,744 m ²				
107	Dx 1344,250	0,372 m ²	0,452 m ²	5,670	2,557 m ³	164,689 m ³
108	1349,920	0,532 m ²				
108	Sx 1349,920	0,744 m ²	1,002 m ²	5,670	5,713 m ³	170,402 m ³
109	1355,590	1,261 m ²				
108	Dx 1349,920	0,532 m ²	0,999 m ²	5,670	5,634 m ³	176,036 m ³
109	1355,590	1,465 m ²				
109	1355,590	2,726 m ²	1,363 m ²	15,295	20,846 m ³	196,882 m ³
110	1370,884	0,000 m ²				

					STERRO (ST)	
Sezione	Distanza progressiva	Area	Area Media	Distanza parziale	Volume	
					Parziale	Totale
1	0,000	2,265 m ²	2,050 m ²	25,000	51,258 m ³	51,258 m ³
2	25,000	1,836 m ²	1,927 m ²	19,087	36,780 m ³	88,038 m ³
2	25,000	1,836 m ²	1,927 m ²	19,087	36,780 m ³	88,038 m ³
3	44,087	2,018 m ²	1,078 m ²	5,457	5,936 m ³	93,974 m ³
3	44,087	1,164 m ²	1,078 m ²	5,457	5,936 m ³	93,974 m ³
4	49,544	0,992 m ²	0,795 m ²	5,457	4,314 m ³	98,288 m ³
3	44,087	0,853 m ²	0,795 m ²	5,457	4,314 m ³	98,288 m ³
4	49,544	0,738 m ²	0,986 m ²	5,457	5,425 m ³	103,713 m ³
4	49,544	0,992 m ²	0,986 m ²	5,457	5,425 m ³	103,713 m ³
5	55,001	0,979 m ²	0,732 m ²	5,457	3,969 m ³	107,682 m ³
4	49,544	0,738 m ²	0,732 m ²	5,457	3,969 m ³	107,682 m ³
5	55,001	0,726 m ²	1,541 m ²	19,999	30,811 m ³	138,493 m ³
5	55,001	1,705 m ²	1,541 m ²	19,999	30,811 m ³	138,493 m ³
6	75,000	1,376 m ²	1,022 m ²	13,487	13,788 m ³	152,281 m ³
6	75,000	1,376 m ²	1,022 m ²	13,487	13,788 m ³	152,281 m ³
7	88,487	0,669 m ²	0,259 m ²	2,948	0,757 m ³	153,038 m ³
7	88,487	0,318 m ²	0,259 m ²	2,948	0,757 m ³	153,038 m ³
8	91,435	0,201 m ²	0,230 m ²	2,948	0,682 m ³	153,720 m ³
7	88,487	0,351 m ²	0,230 m ²	2,948	0,682 m ³	153,720 m ³
8	91,435	0,108 m ²	0,101 m ²	2,948	0,296 m ³	154,016 m ³
8	91,435	0,201 m ²	0,101 m ²	2,948	0,296 m ³	154,016 m ³
9	94,383	0,000 m ²	0,073 m ²	2,948	0,218 m ³	154,234 m ³
8	91,435	0,108 m ²	0,073 m ²	2,948	0,218 m ³	154,234 m ³
9	94,383	0,039 m ²	0,129 m ²	5,617	0,724 m ³	154,958 m ³
9	94,383	0,039 m ²	0,129 m ²	5,617	0,724 m ³	154,958 m ³
10	100,000	0,219 m ²	0,238 m ²	25,000	5,959 m ³	160,917 m ³
10	100,000	0,219 m ²	0,238 m ²	25,000	5,959 m ³	160,917 m ³
11	125,000	0,258 m ²	1,464 m ²	25,000	36,612 m ³	197,529 m ³
11	125,000	0,258 m ²	1,464 m ²	25,000	36,612 m ³	197,529 m ³
12	150,000	2,671 m ²	2,415 m ²	24,852	60,005 m ³	257,534 m ³
12	150,000	2,671 m ²	2,415 m ²	24,852	60,005 m ³	257,534 m ³
13	174,852	2,158 m ²	1,236 m ²	3,576	4,404 m ³	261,938 m ³
13	174,852	1,352 m ²	1,236 m ²	3,576	4,404 m ³	261,938 m ³
14	178,427	1,121 m ²	0,847 m ²	3,576	3,035 m ³	264,973 m ³
13	174,852	0,806 m ²	0,847 m ²	3,576	3,035 m ³	264,973 m ³
14	178,427	0,887 m ²	1,062 m ²	3,576	3,784 m ³	268,757 m ³
14	178,427	1,121 m ²	1,062 m ²	3,576	3,784 m ³	268,757 m ³
15	182,003	1,003 m ²				

					STERRO (ST)	
Sezione	Distanza progressiva	Area	Area Media	Distanza parziale	Volume	
					Parziale	Totale
14	178,427	0,887 m ²	0,838 m ²	3,576	3,004 m ³	271,761 m ³
Dx	182,003	0,788 m ²				
15	182,003	1,791 m ²	1,853 m ²	17,997	33,341 m ³	305,102 m ³
16	200,000	1,914 m ²				
16	200,000	1,914 m ²	2,115 m ²	25,000	52,870 m ³	357,972 m ³
17	225,000	2,316 m ²				
17	225,000	2,316 m ²	1,983 m ²	25,000	49,570 m ³	407,542 m ³
18	250,000	1,650 m ²				
18	250,000	1,650 m ²	1,800 m ²	21,297	38,328 m ³	445,870 m ³
19	271,297	1,949 m ²				
19	271,297	1,001 m ²	0,985 m ²	3,703	3,678 m ³	449,548 m ³
Sx	275,000	0,969 m ²				
20	271,297	0,948 m ²	1,034 m ²	3,703	3,802 m ³	453,350 m ³
Dx	275,000	1,120 m ²				
20	275,000	0,969 m ²	0,960 m ²	3,359	3,251 m ³	456,601 m ³
Sx	278,359	0,951 m ²				
21	275,000	1,120 m ²	1,009 m ²	3,359	3,365 m ³	459,966 m ³
Dx	278,359	0,898 m ²				
21	278,359	0,951 m ²	0,953 m ²	7,062	6,788 m ³	466,754 m ³
Sx	285,421	0,956 m ²				
21	278,359	0,898 m ²	0,893 m ²	7,062	6,261 m ³	473,015 m ³
Dx	285,421	0,887 m ²				
22	285,421	1,843 m ²	1,663 m ²	14,579	24,242 m ³	497,257 m ³
23	300,000	1,483 m ²				
23	300,000	1,483 m ²	2,501 m ²	25,000	62,537 m ³	559,794 m ³
24	325,000	3,520 m ²				
24	325,000	3,520 m ²	3,318 m ²	25,000	82,944 m ³	642,738 m ³
25	350,000	3,115 m ²				
25	350,000	3,115 m ²	2,399 m ²	12,801	30,704 m ³	673,442 m ³
26	362,801	1,682 m ²				
26	362,801	0,947 m ²	0,984 m ²	1,659	1,646 m ³	675,088 m ³
Sx	364,461	1,021 m ²				
27	362,801	0,735 m ²	0,732 m ²	1,659	1,207 m ³	676,295 m ³
Dx	364,461	0,729 m ²				
27	364,461	1,021 m ²	1,046 m ²	1,659	1,750 m ³	678,045 m ³
Sx	366,120	1,071 m ²				
28	364,461	0,729 m ²	0,701 m ²	1,659	1,156 m ³	679,201 m ³
Dx	366,120	0,674 m ²				
28						

					STERRO (ST)	
Sezione	Distanza progressiva	Area	Area Media	Distanza parziale	Volume	
					Parziale	Totale
28	366,120	1,745 m ²	1,637 m ²	8,880	14,536 m ³	693,737 m ³
29	375,000	1,529 m ²				
29	375,000	1,529 m ²	1,320 m ²	25,000	32,996 m ³	726,733 m ³
30	400,000	1,111 m ²				
30	400,000	1,111 m ²	1,776 m ²	22,136	39,307 m ³	766,040 m ³
31	422,136	2,441 m ²				
31	422,136	1,309 m ²	1,433 m ²	4,702	6,677 m ³	772,717 m ³
32	426,838	1,558 m ²				
31	422,136	1,132 m ²	1,187 m ²	4,702	5,623 m ³	778,340 m ³
32	426,838	1,242 m ²				
32	426,838	1,558 m ²	1,521 m ²	4,702	7,083 m ³	785,423 m ³
33	431,540	1,483 m ²				
32	426,838	1,242 m ²	1,270 m ²	4,702	6,017 m ³	791,440 m ³
33	431,540	1,298 m ²				
33	431,540	2,781 m ²	2,205 m ²	18,460	40,696 m ³	832,136 m ³
34	450,000	1,628 m ²				
34	450,000	1,628 m ²	1,798 m ²	23,363	42,009 m ³	874,145 m ³
35	473,363	1,968 m ²				
35	473,363	0,987 m ²	0,955 m ²	5,066	4,881 m ³	879,026 m ³
36	478,430	0,924 m ²				
35	473,363	0,982 m ²	0,946 m ²	5,066	4,756 m ³	883,782 m ³
36	478,430	0,910 m ²				
36	478,430	0,924 m ²	0,963 m ²	5,066	4,922 m ³	888,704 m ³
37	483,496	1,003 m ²				
36	478,430	0,910 m ²	0,928 m ²	5,066	4,666 m ³	893,370 m ³
37	483,496	0,945 m ²				
37	483,496	1,949 m ²	2,281 m ²	16,504	37,638 m ³	931,008 m ³
38	500,000	2,613 m ²				
38	500,000	2,613 m ²	2,133 m ²	25,000	53,332 m ³	984,340 m ³
39	525,000	1,654 m ²				
39	525,000	1,654 m ²	1,769 m ²	25,000	44,223 m ³	1028,563 m ³
40	550,000	1,884 m ²				
40	550,000	1,884 m ²	2,241 m ²	22,190	49,733 m ³	1078,296 m ³
41	572,190	2,599 m ²				
41	572,190	1,235 m ²	1,331 m ²	3,344	4,487 m ³	1082,783 m ³
42	575,534	1,427 m ²				
41	572,190	1,364 m ²	1,370 m ²	3,344	4,546 m ³	1087,329 m ³
42	575,534	1,376 m ²				

					STERRO (ST)		
Sezione	Distanza progressiva	Area	Area Media	Distanza parziale	Volume		
					Parziale	Totale	
42	Sx	575,534	1,427 m ²	1,377 m ²	3,344	4,647 m ³	1091,976 m ³
43		578,879	1,328 m ²				
42	Dx	575,534	1,376 m ²	1,356 m ²	3,344	4,500 m ³	1096,476 m ³
43		578,879	1,336 m ²				
43		578,879	2,664 m ²	2,485 m ²	21,121	52,496 m ³	1148,972 m ³
44		600,000	2,307 m ²				
44		600,000	2,307 m ²	2,180 m ²	25,000	54,505 m ³	1203,477 m ³
45		625,000	2,053 m ²				
45		625,000	2,053 m ²	2,073 m ²	4,067	8,431 m ³	1211,908 m ³
46		629,067	2,092 m ²				
46	Sx	629,067	0,954 m ²	0,948 m ²	5,168	4,859 m ³	1216,767 m ³
47		634,234	0,943 m ²				
46	Dx	629,067	1,139 m ²	1,108 m ²	5,168	5,770 m ³	1222,537 m ³
47		634,234	1,076 m ²				
47	Sx	634,234	0,943 m ²	0,953 m ²	5,168	4,885 m ³	1227,422 m ³
48		639,402	0,964 m ²				
47	Dx	634,234	1,076 m ²	1,058 m ²	5,168	5,509 m ³	1232,931 m ³
48		639,402	1,039 m ²				
48		639,402	2,002 m ²	1,885 m ²	10,598	19,978 m ³	1252,909 m ³
49		650,000	1,768 m ²				
49		650,000	1,768 m ²	2,012 m ²	25,000	50,295 m ³	1303,204 m ³
50		675,000	2,256 m ²				
50		675,000	2,256 m ²	3,031 m ²	13,777	41,758 m ³	1344,962 m ³
51		688,777	3,806 m ²				
51	Sx	688,777	1,907 m ²	1,604 m ²	11,223	17,836 m ³	1362,798 m ³
52		700,000	1,301 m ²				
51	Dx	688,777	1,899 m ²	1,577 m ²	11,223	17,840 m ³	1380,638 m ³
52		700,000	1,255 m ²				
52	Sx	700,000	1,301 m ²	1,233 m ²	4,556	5,568 m ³	1386,206 m ³
53		704,556	1,164 m ²				
52	Dx	700,000	1,255 m ²	1,303 m ²	4,556	5,986 m ³	1392,192 m ³
53		704,556	1,352 m ²				
53	Sx	704,556	1,164 m ²	0,992 m ²	15,779	15,522 m ³	1407,714 m ³
54		720,334	0,819 m ²				
53	Dx	704,556	1,352 m ²	1,072 m ²	15,779	17,041 m ³	1424,755 m ³
54		720,334	0,792 m ²				
54		720,334	1,611 m ²	1,607 m ²	5,186	8,336 m ³	1433,091 m ³
55		725,521	1,604 m ²				

					STERRO (ST)		
Sezione	Distanza progressiva	Area	Area Media	Distanza parziale	Volume		
					Parziale	Totale	
55	Sx	725,521	0,734 m ²	0,690 m ²	11,866	8,254 m ³	1441,345 m ³
56		737,386	0,646 m ²				
55	Dx	725,521	0,870 m ²	0,770 m ²	11,866	9,074 m ³	1450,419 m ³
56		737,386	0,670 m ²				
56	Sx	737,386	0,646 m ²	0,645 m ²	11,866	7,718 m ³	1458,137 m ³
57		749,252	0,644 m ²				
56	Dx	737,386	0,670 m ²	0,664 m ²	11,866	7,823 m ³	1465,960 m ³
57		749,252	0,657 m ²				
57		749,252	1,301 m ²	1,363 m ²	25,748	35,093 m ³	1501,053 m ³
58		775,000	1,424 m ²				
58		775,000	1,424 m ²	0,774 m ²	25,000	19,344 m ³	1520,397 m ³
59		800,000	0,123 m ²				
59		800,000	0,123 m ²	0,064 m ²	6,460	0,415 m ³	1520,812 m ³
60		806,460	0,005 m ²				
60	Sx	806,460	0,000 m ²	0,551 m ²	6,666	3,666 m ³	1524,478 m ³
61		813,126	1,102 m ²				
60	Dx	806,460	0,005 m ²	0,364 m ²	6,666	2,403 m ³	1526,881 m ³
61		813,126	0,722 m ²				
61	Sx	813,126	1,102 m ²	1,231 m ²	6,666	8,283 m ³	1535,164 m ³
62		819,792	1,360 m ²				
61	Dx	813,126	0,722 m ²	0,967 m ²	6,666	6,398 m ³	1541,562 m ³
62		819,792	1,211 m ²				
62		819,792	2,571 m ²	2,431 m ²	5,208	12,659 m ³	1554,221 m ³
63		825,000	2,290 m ²				
63		825,000	2,290 m ²	1,890 m ²	25,000	47,244 m ³	1601,465 m ³
64		850,000	1,489 m ²				
64		850,000	1,489 m ²	1,631 m ²	8,193	13,364 m ³	1614,829 m ³
65		858,193	1,773 m ²				
65	Sx	858,193	1,051 m ²	1,078 m ²	4,804	5,229 m ³	1620,058 m ³
66		862,997	1,106 m ²				
65	Dx	858,193	0,723 m ²	0,746 m ²	4,804	3,560 m ³	1623,618 m ³
66		862,997	0,769 m ²				
66	Sx	862,997	1,106 m ²	1,094 m ²	4,804	5,305 m ³	1628,923 m ³
67		867,801	1,081 m ²				
66	Dx	862,997	0,769 m ²	0,742 m ²	4,804	3,544 m ³	1632,467 m ³
67		867,801	0,716 m ²				
67		867,801	1,797 m ²	1,737 m ²	7,199	12,506 m ³	1644,973 m ³
68		875,000	1,677 m ²				

					STERRO (ST)	
Sezione	Distanza progressiva	Area	Area Media	Distanza parziale	Volume	
					Parziale	Totale
68	875,000	1,677 m ²	1,767 m ²	21,000	37,115 m ³	1682,088 m ³
69	896,000	1,858 m ²				
69 Sx	896,000	1,120 m ²	1,199 m ²	4,000	4,844 m ³	1686,932 m ³
70	900,000	1,278 m ²				
69 Dx	896,000	0,737 m ²	0,758 m ²	4,000	3,015 m ³	1689,947 m ³
70	900,000	0,780 m ²				
70 Sx	900,000	1,278 m ²	1,366 m ²	3,849	5,311 m ³	1695,258 m ³
71	903,849	1,454 m ²				
70 Dx	900,000	0,780 m ²	0,823 m ²	3,849	3,148 m ³	1698,406 m ³
71	903,849	0,867 m ²				
71 Sx	903,849	1,454 m ²	1,288 m ²	7,849	10,209 m ³	1708,615 m ³
72	911,698	1,122 m ²				
71 Dx	903,849	0,867 m ²	0,809 m ²	7,849	6,309 m ³	1714,924 m ³
72	911,698	0,751 m ²				
72	911,698	1,873 m ²	1,471 m ²	13,302	19,573 m ³	1734,497 m ³
73	925,000	1,070 m ²				
73	925,000	1,070 m ²	1,313 m ²	25,000	32,835 m ³	1767,332 m ³
74	950,000	1,557 m ²				
74	950,000	1,557 m ²	1,810 m ²	10,991	19,889 m ³	1787,221 m ³
75	960,991	2,062 m ²				
75 Sx	960,991	1,242 m ²	1,427 m ²	12,685	17,930 m ³	1805,151 m ³
76	973,676	1,611 m ²				
75 Dx	960,991	0,820 m ²	1,030 m ²	12,685	13,150 m ³	1818,301 m ³
76	973,676	1,240 m ²				
76 Sx	973,676	1,611 m ²	1,252 m ²	12,685	15,740 m ³	1834,041 m ³
77	986,361	0,893 m ²				
76 Dx	973,676	1,240 m ²	0,931 m ²	12,685	11,885 m ³	1845,926 m ³
77	986,361	0,622 m ²				
77	986,361	1,515 m ²	1,610 m ²	13,639	21,965 m ³	1867,891 m ³
78	1000,000	1,706 m ²				
78	1000,000	1,706 m ²	1,846 m ²	19,239	35,512 m ³	1903,403 m ³
79	1019,239	1,986 m ²				
79 Sx	1019,239	1,251 m ²	1,119 m ²	5,138	5,695 m ³	1909,098 m ³
80	1024,376	0,988 m ²				
79 Dx	1019,239	0,735 m ²	0,680 m ²	5,138	3,514 m ³	1912,612 m ³
80	1024,376	0,625 m ²				
80 Sx	1024,376	0,988 m ²	1,586 m ²	5,138	8,061 m ³	1920,673 m ³
81	1029,514	2,184 m ²				

					STERRO (ST)	
Sezione	Distanza progressiva	Area	Area Media	Distanza parziale	Volume	
					Parziale	Totale
80		1024,376	0,625 m ²			
Dx			0,732 m ²	5,138	3,784 m ³	1924,457 m ³
81		1029,514	0,840 m ²			
81		1029,514	3,024 m ²	2,387 m ²	20,486	48,892 m ³
82		1050,000	1,749 m ²			
82		1050,000	1,749 m ²	1,992 m ²	25,000	49,795 m ³
83		1075,000	2,234 m ²			
83		1075,000	2,234 m ²	3,497 m ²	25,000	87,429 m ³
84		1100,000	4,760 m ²			
84		1100,000	4,760 m ²	2,697 m ²	12,352	33,311 m ³
85		1112,352	0,634 m ²			
85	Sx	1112,352	0,465 m ²	0,925 m ²	12,648	11,187 m ³
86		1125,000	1,384 m ²			
85	Dx	1112,352	0,169 m ²	0,522 m ²	12,648	6,784 m ³
86		1125,000	0,876 m ²			
86	Sx	1125,000	1,384 m ²	1,417 m ²	9,202	12,453 m ³
87		1134,202	1,451 m ²			
86	Dx	1125,000	0,876 m ²	0,700 m ²	9,202	6,609 m ³
87		1134,202	0,524 m ²			
87	Sx	1134,202	1,451 m ²	1,040 m ²	15,798	15,717 m ³
88		1150,000	0,629 m ²			
87	Dx	1134,202	0,524 m ²	0,518 m ²	15,798	8,403 m ³
88		1150,000	0,512 m ²			
88	Sx	1150,000	0,629 m ²	0,650 m ²	6,053	3,775 m ³
89		1156,053	0,671 m ²			
88	Dx	1150,000	0,512 m ²	0,413 m ²	6,053	2,569 m ³
89		1156,053	0,314 m ²			
89		1156,053	0,985 m ²	2,016 m ²	18,947	38,191 m ³
90		1175,000	3,047 m ²			
90		1175,000	3,047 m ²	3,624 m ²	18,353	66,515 m ³
91		1193,353	4,202 m ²			
91	Sx	1193,353	3,405 m ²	2,705 m ²	5,224	14,882 m ³
92		1198,578	2,006 m ²			
91	Dx	1193,353	0,797 m ²	1,187 m ²	5,224	6,018 m ³
92		1198,578	1,578 m ²			
92	Sx	1198,578	2,006 m ²	1,755 m ²	5,224	9,632 m ³
93		1203,802	1,504 m ²			
92	Dx	1198,578	1,578 m ²	1,103 m ²	5,224	5,570 m ³
93		1203,802	0,628 m ²			

					STERRO (ST)	
Sezione	Distanza progressiva	Area	Area Media	Distanza parziale	Volume	
					Parziale	Totale
93	1203,802	2,132 m ²	1,745 m ²	15,199	26,516 m ³	2378,705 m ³
94	1219,001	1,357 m ²				
94 Sx	1219,001	0,464 m ²	0,428 m ²	7,200	3,175 m ³	2381,880 m ³
95	1226,201	0,393 m ²				
94 Dx	1219,001	0,894 m ²	1,121 m ²	7,200	7,758 m ³	2389,638 m ³
95	1226,201	1,349 m ²				
95 Sx	1226,201	0,393 m ²	0,441 m ²	7,200	3,256 m ³	2392,894 m ³
96	1233,401	0,490 m ²				
95 Dx	1226,201	1,349 m ²	1,371 m ²	7,200	9,465 m ³	2402,359 m ³
96	1233,401	1,393 m ²				
96	1233,401	1,882 m ²	2,386 m ²	16,599	39,611 m ³	2441,970 m ³
97	1250,000	2,890 m ²				
97	1250,000	2,890 m ²	3,831 m ²	3,061	11,726 m ³	2453,696 m ³
98	1253,061	4,771 m ²				
98 Sx	1253,061	2,089 m ²	1,975 m ²	4,439	9,149 m ³	2462,845 m ³
99	1257,500	1,861 m ²				
98 Dx	1253,061	2,683 m ²	2,339 m ²	4,439	9,953 m ³	2472,798 m ³
99	1257,500	1,995 m ²				
99 Sx	1257,500	1,861 m ²	1,672 m ²	4,439	7,728 m ³	2480,526 m ³
100	1261,939	1,483 m ²				
99 Dx	1257,500	1,995 m ²	1,677 m ²	4,439	7,188 m ³	2487,714 m ³
100	1261,939	1,359 m ²				
100	1261,939	2,842 m ²	1,585 m ²	13,061	20,701 m ³	2508,415 m ³
101	1275,000	0,328 m ²				
101	1275,000	0,328 m ²	1,027 m ²	25,000	25,681 m ³	2534,096 m ³
102	1300,000	1,726 m ²				
102	1300,000	1,726 m ²	2,426 m ²	16,118	39,095 m ³	2573,191 m ³
103	1316,118	3,125 m ²				
103 Sx	1316,118	1,973 m ²	1,318 m ²	1,476	1,974 m ³	2575,165 m ³
104	1317,594	0,663 m ²				
103 Dx	1316,118	1,152 m ²	0,955 m ²	1,476	1,394 m ³	2576,559 m ³
104	1317,594	0,759 m ²				
104 Sx	1317,594	0,663 m ²	0,777 m ²	1,476	1,162 m ³	2577,721 m ³
105	1319,070	0,890 m ²				
104 Dx	1317,594	0,759 m ²	0,895 m ²	1,476	1,308 m ³	2579,029 m ³
105	1319,070	1,032 m ²				
105	1319,070	1,922 m ²	1,634 m ²	5,930	9,688 m ³	2588,717 m ³
106	1325,000	1,345 m ²				

					STERRO (ST)	
Sezione	Distanza progressiva	Area	Area Media	Distanza parziale	Volume	
					Parziale	Totale
106	1325,000	1,345 m ²	1,669 m ²	19,250	32,134 m ³	2620,851 m ³
107	1344,250	1,994 m ²				
107	1344,250	1,306 m ²	0,972 m ²	5,670	5,614 m ³	2626,465 m ³
108	1349,920	0,638 m ²				
107	1344,250	0,687 m ²	0,539 m ²	5,670	3,009 m ³	2629,474 m ³
108	1349,920	0,390 m ²				
108	1349,920	0,638 m ²	0,321 m ²	5,670	1,855 m ³	2631,329 m ³
109	1355,590	0,004 m ²				
108	1349,920	0,390 m ²	0,195 m ²	5,670	1,108 m ³	2632,437 m ³
109	1355,590	0,000 m ²				
109	1355,590	0,004 m ²	1,001 m ²	15,295	15,310 m ³	2647,747 m ³
110	1370,884	1,998 m ²				

PISTA PT.08

Pista PT.08

Data: 20/04/2021

Ora: 17:25:01

RIEPILOGO QUANTITA'

Pagina: 1 / 1

Codice	Descrizione	Quantità
FONDA	STRATO DI FONDAZIONE	726,468 m ³
RI	RILEVATO	98,425 m ³
ST	STERRO	627,521 m ³

STRATO DI FONDAZIONE (FONDA)

Sezione	Distanza progressiva	Area	Area Media	Distanza parziale	Volume	
					Parziale	Totale
1	0,000	1,800 m ²	1,800 m ²	11,312	20,362 m ³	20,362 m ³
2	11,312	1,800 m ²	1,800 m ²	11,312	20,362 m ³	20,362 m ³
2	11,312	1,050 m ²	1,050 m ²	11,812	10,956 m ³	31,318 m ³
3	23,124	1,050 m ²	1,050 m ²	11,812	10,956 m ³	31,318 m ³
2	11,312	0,750 m ²	0,750 m ²	11,812	9,597 m ³	40,915 m ³
3	23,124	0,750 m ²	0,750 m ²	11,812	9,597 m ³	40,915 m ³
3	23,124	1,050 m ²	1,050 m ²	11,812	10,956 m ³	51,871 m ³
4	34,935	1,050 m ²	1,050 m ²	11,812	10,956 m ³	51,871 m ³
3	23,124	0,750 m ²	0,750 m ²	11,812	9,597 m ³	61,468 m ³
4	34,935	0,750 m ²	0,750 m ²	11,812	9,597 m ³	61,468 m ³
4	34,935	1,800 m ²	1,800 m ²	15,065	27,117 m ³	88,585 m ³
5	50,000	1,800 m ²	1,800 m ²	15,065	27,117 m ³	88,585 m ³
5	50,000	1,800 m ²	1,800 m ²	25,000	45,000 m ³	133,585 m ³
6	75,000	1,800 m ²	1,800 m ²	25,000	45,000 m ³	133,585 m ³
6	75,000	1,800 m ²	1,800 m ²	25,000	45,000 m ³	178,585 m ³
7	100,000	1,800 m ²	1,800 m ²	25,000	45,000 m ³	178,585 m ³
7	100,000	1,800 m ²	1,800 m ²	25,000	45,000 m ³	223,585 m ³
8	125,000	1,800 m ²	1,800 m ²	25,000	45,000 m ³	223,585 m ³
8	125,000	1,800 m ²	1,800 m ²	25,000	45,000 m ³	268,585 m ³
9	150,000	1,800 m ²	1,800 m ²	25,000	45,000 m ³	268,585 m ³
9	150,000	1,800 m ²	1,800 m ²	25,000	45,000 m ³	313,585 m ³
10	175,000	1,800 m ²	1,800 m ²	25,000	45,000 m ³	313,585 m ³
10	175,000	1,800 m ²	1,800 m ²	25,000	45,000 m ³	358,585 m ³
11	200,000	1,800 m ²	1,800 m ²	25,000	45,000 m ³	358,585 m ³
11	200,000	1,800 m ²	1,800 m ²	25,000	45,000 m ³	403,585 m ³
12	225,000	1,800 m ²	1,800 m ²	25,000	45,000 m ³	403,585 m ³
12	225,000	1,800 m ²	1,800 m ²	25,000	45,000 m ³	448,585 m ³
13	250,000	1,800 m ²	1,800 m ²	25,000	45,000 m ³	448,585 m ³
13	250,000	1,800 m ²	1,800 m ²	25,000	45,000 m ³	493,585 m ³
14	275,000	1,800 m ²	1,800 m ²	25,000	45,000 m ³	493,585 m ³
14	275,000	1,800 m ²	1,800 m ²	25,000	45,000 m ³	538,585 m ³
15	300,000	1,800 m ²	1,800 m ²	25,000	45,000 m ³	538,585 m ³
15	300,000	1,800 m ²	1,800 m ²	25,000	45,000 m ³	583,585 m ³
16	325,000	1,800 m ²	1,800 m ²	25,000	45,000 m ³	583,585 m ³
16	325,000	1,800 m ²	1,800 m ²	25,000	45,000 m ³	628,585 m ³
17	350,000	1,800 m ²	1,800 m ²	25,000	45,000 m ³	628,585 m ³
17	350,000	1,800 m ²	1,800 m ²	24,501	44,102 m ³	672,687 m ³
18	374,501	1,800 m ²	1,800 m ²	24,501	44,102 m ³	672,687 m ³

STRATO DI FONDAZIONE (FONDA)

Sezione	Distanza progressiva	Area	Area Media	Distanza parziale	Volume	
					Parziale	Totale
18 Sx	374,501	1,050 m ²	1,050 m ²	11,781	10,927 m ³	683,614 m ³
19	386,282	1,050 m ²				
18 Dx	374,501	0,750 m ²	0,750 m ²	11,781	9,572 m ³	693,186 m ³
19	386,282	0,750 m ²				
19 Sx	386,282	1,050 m ²	1,050 m ²	11,781	10,927 m ³	704,113 m ³
20	398,063	1,050 m ²				
19 Dx	386,282	0,750 m ²	0,750 m ²	11,781	9,572 m ³	713,685 m ³
20	398,063	0,750 m ²				
20	398,063	1,800 m ²	1,800 m ²	7,102	12,783 m ³	726,468 m ³
21	405,165	1,800 m ²				

					RILEVATO (RI)	
Sezione	Distanza progressiva	Area	Area Media	Distanza parziale	Volume	
					Parziale	Totale
1	0,000	0,026 m ²	1,104 m ²	11,312	12,489 m ³	12,489 m ³
2	11,312	2,182 m ²				
2	11,312	1,388 m ²	1,488 m ²	11,812	13,820 m ³	26,309 m ³
3	23,124	1,589 m ²				
2	11,312	0,794 m ²	0,463 m ²	11,812	6,430 m ³	32,739 m ³
3	23,124	0,132 m ²				
3	23,124	1,589 m ²	1,153 m ²	11,812	10,299 m ³	43,038 m ³
4	34,935	0,718 m ²				
3	23,124	0,132 m ²	0,093 m ²	11,812	1,317 m ³	44,355 m ³
4	34,935	0,054 m ²				
4	34,935	0,771 m ²	0,475 m ²	15,065	7,161 m ³	51,516 m ³
5	50,000	0,179 m ²				
5	50,000	0,179 m ²	0,173 m ²	25,000	4,336 m ³	55,852 m ³
6	75,000	0,167 m ²				
6	75,000	0,167 m ²	0,195 m ²	25,000	4,863 m ³	60,715 m ³
7	100,000	0,222 m ²				
7	100,000	0,222 m ²	0,193 m ²	25,000	4,837 m ³	65,552 m ³
8	125,000	0,165 m ²				
8	125,000	0,165 m ²	0,117 m ²	25,000	2,920 m ³	68,472 m ³
9	150,000	0,068 m ²				
9	150,000	0,068 m ²	0,044 m ²	25,000	1,091 m ³	69,563 m ³
10	175,000	0,019 m ²				
10	175,000	0,019 m ²	0,024 m ²	25,000	0,594 m ³	70,157 m ³
11	200,000	0,028 m ²				
11	200,000	0,028 m ²	0,015 m ²	25,000	0,367 m ³	70,524 m ³
12	225,000	0,001 m ²				
12	225,000	0,001 m ²	0,022 m ²	25,000	0,560 m ³	71,084 m ³
13	250,000	0,044 m ²				
13	250,000	0,044 m ²	0,075 m ²	25,000	1,863 m ³	72,947 m ³
14	275,000	0,105 m ²				
14	275,000	0,105 m ²	0,107 m ²	25,000	2,680 m ³	75,627 m ³
15	300,000	0,109 m ²				
15	300,000	0,109 m ²	0,103 m ²	25,000	2,563 m ³	78,190 m ³
16	325,000	0,096 m ²				
16	325,000	0,096 m ²	0,173 m ²	25,000	4,315 m ³	82,505 m ³
17	350,000	0,249 m ²				
17	350,000	0,249 m ²	0,148 m ²	24,501	3,631 m ³	86,136 m ³
18	374,501	0,047 m ²				

					RILEVATO (RI)	
Sezione	Distanza progressiva	Area	Area Media	Distanza parziale	Volume	
					Parziale	Totale
18	374,501	0,047 m ²	0,102 m ²	11,781	0,878 m ³	87,014 m ³
19	386,282	0,157 m ²				
18	374,501	0,000 m ²	0,008 m ²	11,781	0,090 m ³	87,104 m ³
19	386,282	0,016 m ²				
19	386,282	0,157 m ²	0,324 m ²	11,781	2,855 m ³	89,959 m ³
20	398,063	0,491 m ²				
19	386,282	0,016 m ²	0,321 m ²	11,781	4,501 m ³	94,460 m ³
20	398,063	0,625 m ²				
20	398,063	1,117 m ²	0,558 m ²	7,102	3,965 m ³	98,425 m ³
21	405,165	0,000 m ²				

					STERRO (ST)	
Sezione	Distanza progressiva	Area	Area Media	Distanza parziale	Volume	
					Parziale	Totale
1	0,000	1,793 m ²	0,897 m ²	11,312	10,141 m ³	10,141 m ³
2	11,312	0,000 m ²				
2	11,312	0,000 m ²	0,138 m ²	11,812	1,711 m ³	11,852 m ³
3	23,124	0,275 m ²				
3	23,124	0,000 m ²	0,010 m ²	11,812	0,119 m ³	11,971 m ³
4	34,935	0,019 m ²				
3	23,124	0,275 m ²	0,306 m ²	11,812	3,985 m ³	15,956 m ³
4	34,935	0,336 m ²				
4	34,935	0,355 m ²	1,093 m ²	15,065	16,465 m ³	32,421 m ³
5	50,000	1,831 m ²				
5	50,000	1,831 m ²	1,833 m ²	25,000	45,837 m ³	78,258 m ³
6	75,000	1,836 m ²				
6	75,000	1,836 m ²	1,698 m ²	25,000	42,457 m ³	120,715 m ³
7	100,000	1,560 m ²				
7	100,000	1,560 m ²	1,589 m ²	25,000	39,724 m ³	160,439 m ³
8	125,000	1,618 m ²				
8	125,000	1,618 m ²	1,847 m ²	25,000	46,171 m ³	206,610 m ³
9	150,000	2,076 m ²				
9	150,000	2,076 m ²	1,979 m ²	25,000	49,475 m ³	256,085 m ³
10	175,000	1,882 m ²				
10	175,000	1,882 m ²	1,873 m ²	25,000	46,835 m ³	302,920 m ³
11	200,000	1,865 m ²				
11	200,000	1,865 m ²	1,871 m ²	25,000	46,783 m ³	349,703 m ³
12	225,000	1,878 m ²				
12	225,000	1,878 m ²	1,752 m ²	25,000	43,801 m ³	393,504 m ³
13	250,000	1,626 m ²				
13	250,000	1,626 m ²	1,694 m ²	25,000	42,348 m ³	435,852 m ³
14	275,000	1,761 m ²				
14	275,000	1,761 m ²	1,746 m ²	25,000	43,644 m ³	479,496 m ³
15	300,000	1,730 m ²				
15	300,000	1,730 m ²	1,681 m ²	25,000	42,027 m ³	521,523 m ³
16	325,000	1,632 m ²				
16	325,000	1,632 m ²	1,462 m ²	25,000	36,545 m ³	558,068 m ³
17	350,000	1,291 m ²				
17	350,000	1,291 m ²	1,518 m ²	24,501	37,181 m ³	595,249 m ³
18	374,501	1,744 m ²				
18	374,501	0,880 m ²	0,727 m ²	11,781	7,609 m ³	602,858 m ³
19	386,282	0,573 m ²				

STERRO (ST)

Sezione	Distanza progressiva	Area	Area Media	Distanza parziale	Volume	
					Parziale	Totale
18 Dx	374,501	0,864 m ²	0,738 m ²	11,781	9,495 m ³	612,353 m ³
19	386,282	0,613 m ²				
19 Sx	386,282	0,573 m ²	0,287 m ²	11,781	3,193 m ³	615,546 m ³
20	398,063	0,000 m ²				
19 Dx	386,282	0,613 m ²	0,307 m ²	11,781	3,769 m ³	619,315 m ³
20	398,063	0,000 m ²				
20	398,063	0,000 m ²	1,156 m ²	7,102	8,206 m ³	627,521 m ³
21	405,165	2,311 m ²				

PISTA PT.09

Codice	Descrizione	Quantità
FONDA	STRATO DI FONDAZIONE	394,585 m ³
RI	RILEVATO	35,673 m ³
ST	STERRO	758,911 m ³

COMPUTO DELLE QUANTITA'

Pagina: 1 / 5

STRATO DI FONDAZIONE (FONDA)

Sezione	Distanza progressiva	Area	Area Media	Distanza parziale	Volume	
					Parziale	Totale
1	0,000	1,800 m ²	1,800 m ²	2,917	5,251 m ³	5,251 m ³
2	2,917	1,800 m ²				
2 Sx	2,917	1,050 m ²	1,050 m ²	18,337	18,505 m ³	23,756 m ³
3	21,254	1,050 m ²				
2 Dx	2,917	0,750 m ²	0,750 m ²	18,337	14,135 m ³	37,891 m ³
3	21,254	0,750 m ²				
3 Sx	21,254	1,050 m ²	1,050 m ²	3,746	3,780 m ³	41,671 m ³
4	25,000	1,050 m ²				
3 Dx	21,254	0,750 m ²	0,750 m ²	3,746	2,887 m ³	44,558 m ³
4	25,000	0,750 m ²				
4 Sx	25,000	1,050 m ²	1,050 m ²	14,591	14,725 m ³	59,283 m ³
5	39,591	1,050 m ²				
4 Dx	25,000	0,750 m ²	0,750 m ²	14,591	11,247 m ³	70,530 m ³
5	39,591	0,750 m ²				
5	39,591	1,800 m ²	1,800 m ²	10,409	18,736 m ³	89,266 m ³
6	50,000	1,800 m ²				
6	50,000	1,800 m ²	1,800 m ²	24,751	44,552 m ³	133,818 m ³
7	74,751	1,800 m ²				
7 Sx	74,751	1,050 m ²	1,050 m ²	10,620	10,956 m ³	144,774 m ³
8	85,371	1,050 m ²				
7 Dx	74,751	0,750 m ²	0,750 m ²	10,620	8,065 m ³	152,839 m ³
8	85,371	0,750 m ²				
8 Sx	85,371	1,050 m ²	1,050 m ²	10,620	10,956 m ³	163,795 m ³
9	95,991	1,050 m ²				
8 Dx	85,371	0,750 m ²	0,750 m ²	10,620	8,065 m ³	171,860 m ³
9	95,991	0,750 m ²				
9	95,991	1,800 m ²	1,800 m ²	4,009	7,216 m ³	179,076 m ³
10	100,000	1,800 m ²				
10	100,000	1,800 m ²	1,800 m ²	5,541	9,974 m ³	189,050 m ³
11	105,541	1,800 m ²				
11 Sx	105,541	1,050 m ²	1,050 m ²	19,459	21,326 m ³	210,376 m ³
12	125,000	1,050 m ²				
11 Dx	105,541	0,750 m ²	0,750 m ²	19,459	14,138 m ³	224,514 m ³
12	125,000	0,750 m ²				
12 Sx	125,000	1,050 m ²	1,050 m ²	20,495	22,462 m ³	246,976 m ³
13	145,495	1,050 m ²				
12 Dx	125,000	0,750 m ²	0,750 m ²	20,495	14,891 m ³	261,867 m ³
13	145,495	0,750 m ²				

STRATO DI FONDAZIONE (FONDA)

Sezione	Distanza progressiva	Area	Area Media	Distanza parziale	Volume	
					Parziale	Totale
13 Sx	145,495	1,050 m ²	1,050 m ²	4,505	4,937 m ³	266,804 m ³
14	150,000	1,050 m ²				
13 Dx	145,495	0,750 m ²	0,750 m ²	4,505	3,273 m ³	270,077 m ³
14	150,000	0,750 m ²				
14 Sx	150,000	1,050 m ²	1,050 m ²	25,000	27,398 m ³	297,475 m ³
15	175,000	1,050 m ²				
14 Dx	150,000	0,750 m ²	0,750 m ²	25,000	18,164 m ³	315,639 m ³
15	175,000	0,750 m ²				
15 Sx	175,000	1,050 m ²	1,050 m ²	10,448	11,450 m ³	327,089 m ³
16	185,448	1,050 m ²				
15 Dx	175,000	0,750 m ²	0,750 m ²	10,448	7,591 m ³	334,680 m ³
16	185,448	0,750 m ²				
16	185,448	1,800 m ²	1,800 m ²	14,922	26,859 m ³	361,539 m ³
17	200,370	1,800 m ²				
17 Sx	200,370	1,050 m ²	1,050 m ²	9,312	8,877 m ³	370,416 m ³
18	209,682	1,050 m ²				
17 Dx	200,370	0,750 m ²	0,750 m ²	9,312	7,443 m ³	377,859 m ³
18	209,682	0,750 m ²				
18 Sx	209,682	1,050 m ²	1,050 m ²	9,312	8,877 m ³	386,736 m ³
19	218,993	1,050 m ²				
18 Dx	209,682	0,750 m ²	0,750 m ²	9,312	7,443 m ³	394,179 m ³
19	218,993	0,750 m ²				
19	218,993	1,800 m ²	1,800 m ²	0,226	0,406 m ³	394,585 m ³
20	219,220	1,800 m ²				

					RILEVATO (RI)	
Sezione	Distanza progressiva	Area	Area Media	Distanza parziale	Volume	
					Parziale	Totale
2	2,917	0,000 m ²	0,000 m ²	18,337	0,003 m ³	0,003 m ³
3	21,254	0,000 m ²	0,113 m ²	3,746	0,439 m ³	0,442 m ³
3	21,254	0,000 m ²	0,113 m ²	3,746	0,439 m ³	0,442 m ³
4	25,000	0,226 m ²	0,023 m ²	14,591	0,326 m ³	0,768 m ³
4	25,000	0,000 m ²	0,023 m ²	14,591	0,326 m ³	0,768 m ³
5	39,591	0,045 m ²	0,113 m ²	14,591	1,633 m ³	2,401 m ³
4	25,000	0,226 m ²	0,113 m ²	14,591	1,633 m ³	2,401 m ³
5	39,591	0,000 m ²	0,023 m ²	10,409	0,235 m ³	2,636 m ³
5	39,591	0,045 m ²	0,023 m ²	10,409	0,235 m ³	2,636 m ³
6	50,000	0,000 m ²	0,026 m ²	24,751	0,654 m ³	3,290 m ³
6	50,000	0,000 m ²	0,026 m ²	24,751	0,654 m ³	3,290 m ³
7	74,751	0,053 m ²	0,057 m ²	10,620	0,601 m ³	3,891 m ³
7	74,751	0,000 m ²	0,057 m ²	10,620	0,601 m ³	3,891 m ³
8	85,371	0,114 m ²	0,026 m ²	10,620	0,280 m ³	4,171 m ³
7	74,751	0,053 m ²	0,026 m ²	10,620	0,280 m ³	4,171 m ³
8	85,371	0,000 m ²	0,057 m ²	10,620	0,594 m ³	4,765 m ³
8	85,371	0,114 m ²	0,057 m ²	10,620	0,594 m ³	4,765 m ³
9	95,991	0,000 m ²	0,034 m ²	4,009	0,135 m ³	4,900 m ³
9	95,991	0,000 m ²	0,034 m ²	4,009	0,135 m ³	4,900 m ³
10	100,000	0,067 m ²	0,178 m ²	5,541	0,987 m ³	5,887 m ³
10	100,000	0,067 m ²	0,178 m ²	5,541	0,987 m ³	5,887 m ³
11	105,541	0,289 m ²	0,595 m ²	19,459	12,702 m ³	18,589 m ³
11	105,541	0,289 m ²	0,595 m ²	19,459	12,702 m ³	18,589 m ³
12	125,000	0,902 m ²	0,451 m ²	20,495	9,652 m ³	28,241 m ³
12	125,000	0,902 m ²	0,451 m ²	20,495	9,652 m ³	28,241 m ³
13	145,495	0,000 m ²	0,029 m ²	25,000	0,752 m ³	28,993 m ³
14	150,000	0,000 m ²	0,029 m ²	25,000	0,752 m ³	28,993 m ³
15	175,000	0,057 m ²	0,002 m ²	25,000	0,037 m ³	29,030 m ³
14	150,000	0,000 m ²	0,002 m ²	25,000	0,037 m ³	29,030 m ³
15	175,000	0,003 m ²	0,029 m ²	10,448	0,314 m ³	29,344 m ³
15	175,000	0,057 m ²	0,029 m ²	10,448	0,314 m ³	29,344 m ³
16	185,448	0,000 m ²	0,002 m ²	10,448	0,015 m ³	29,359 m ³
15	175,000	0,003 m ²	0,002 m ²	10,448	0,015 m ³	29,359 m ³
16	185,448	0,000 m ²	0,272 m ²	14,922	4,062 m ³	33,421 m ³
16	185,448	0,000 m ²	0,272 m ²	14,922	4,062 m ³	33,421 m ³
17	200,370	0,544 m ²	0,272 m ²	9,312	2,252 m ³	35,673 m ³
17	200,370	0,544 m ²	0,272 m ²	9,312	2,252 m ³	35,673 m ³
18	209,682	0,000 m ²				

					STERRO (ST)	
Sezione	Distanza progressiva	Area	Area Media	Distanza parziale	Volume	
					Parziale	Totale
1	0,000	2,432 m ²	2,592 m ²	2,917	7,560 m ³	7,560 m ³
2	2,917	2,751 m ²				
2	2,917	1,528 m ²	1,764 m ²	18,337	30,809 m ³	38,369 m ³
3	21,254	2,001 m ²				
2	2,917	1,223 m ²	1,026 m ²	18,337	19,394 m ³	57,763 m ³
3	21,254	0,830 m ²				
3	21,254	2,001 m ²	1,480 m ²	3,746	5,261 m ³	63,024 m ³
4	25,000	0,960 m ²				
3	21,254	0,830 m ²	0,571 m ²	3,746	2,196 m ³	65,220 m ³
4	25,000	0,312 m ²				
4	25,000	0,960 m ²	0,949 m ²	14,591	13,250 m ³	78,470 m ³
5	39,591	0,938 m ²				
4	25,000	0,312 m ²	0,787 m ²	14,591	11,842 m ³	90,312 m ³
5	39,591	1,262 m ²				
5	39,591	2,200 m ²	3,972 m ²	10,409	41,347 m ³	131,659 m ³
6	50,000	5,745 m ²				
6	50,000	5,745 m ²	3,829 m ²	24,751	94,761 m ³	226,420 m ³
7	74,751	1,912 m ²				
7	74,751	1,173 m ²	0,895 m ²	10,620	9,335 m ³	235,755 m ³
8	85,371	0,618 m ²				
7	74,751	0,740 m ²	0,683 m ²	10,620	7,350 m ³	243,105 m ³
8	85,371	0,627 m ²				
8	85,371	0,618 m ²	0,905 m ²	10,620	9,443 m ³	252,548 m ³
9	95,991	1,191 m ²				
8	85,371	0,627 m ²	0,955 m ²	10,620	10,294 m ³	262,842 m ³
9	95,991	1,284 m ²				
9	95,991	2,475 m ²	2,249 m ²	4,009	9,015 m ³	271,857 m ³
10	100,000	2,022 m ²				
10	100,000	2,022 m ²	1,695 m ²	5,541	9,392 m ³	281,249 m ³
11	105,541	1,367 m ²				
11	105,541	0,606 m ²	0,359 m ²	19,459	7,147 m ³	288,396 m ³
12	125,000	0,111 m ²				
11	105,541	0,761 m ²	0,975 m ²	19,459	18,217 m ³	306,613 m ³
12	125,000	1,190 m ²				
12	125,000	0,111 m ²	3,092 m ²	20,495	65,678 m ³	372,291 m ³
13	145,495	6,073 m ²				
12	125,000	1,190 m ²	2,932 m ²	20,495	57,284 m ³	429,575 m ³
13	145,495	4,673 m ²				

					STERRO (ST)		
Sezione	Distanza progressiva	Area	Area Media	Distanza parziale	Volume		
					Parziale	Totale	
13	Sx	145,495	6,073 m ²	5,966 m ²	4,505	28,624 m ³	458,199 m ³
14		150,000	5,860 m ²				
13	Dx	145,495	4,673 m ²	3,496 m ²	4,505	15,072 m ³	473,271 m ³
14		150,000	2,318 m ²				
14	Sx	150,000	5,860 m ²	3,279 m ²	25,000	86,524 m ³	559,795 m ³
15		175,000	0,698 m ²				
14	Dx	150,000	2,318 m ²	1,467 m ²	25,000	35,379 m ³	595,174 m ³
15		175,000	0,615 m ²				
15	Sx	175,000	0,698 m ²	1,189 m ²	10,448	12,987 m ³	608,161 m ³
16		185,448	1,680 m ²				
15	Dx	175,000	0,615 m ²	1,180 m ²	10,448	11,859 m ³	620,020 m ³
16		185,448	1,744 m ²				
16		185,448	3,424 m ²	4,409 m ²	14,922	65,793 m ³	685,813 m ³
17		200,370	5,394 m ²				
17	Sx	200,370	0,996 m ²	1,401 m ²	9,312	12,122 m ³	697,935 m ³
18		209,682	1,806 m ²				
17	Dx	200,370	4,398 m ²	3,218 m ²	9,312	32,954 m ³	730,889 m ³
18		209,682	2,037 m ²				
18	Sx	209,682	1,806 m ²	1,445 m ²	9,312	12,009 m ³	742,898 m ³
19		218,993	1,085 m ²				
18	Dx	209,682	2,037 m ²	1,537 m ²	9,312	15,538 m ³	758,436 m ³
19		218,993	1,037 m ²				
19		218,993	2,121 m ²	2,099 m ²	0,226	0,475 m ³	758,911 m ³
20		219,220	2,077 m ²				

PISTA PT.10

Codice	Descrizione	Quantità
FONDA	STRATO DI FONDAZIONE	175,030 m ³
RI	RILEVATO	20,132 m ³
ST	STERRO	165,867 m ³

STRATO DI FONDAZIONE (FONDA)

Sezione	Distanza progressiva	Area	Area Media	Distanza parziale	Volume	
					Parziale	Totale
1	0,000	1,800 m ²				
			1,800 m ²	10,173	18,312 m ³	18,312 m ³
2	10,173	1,800 m ²				
2	10,173	1,050 m ²	1,050 m ²	9,663	9,258 m ³	27,570 m ³
3	19,836	1,050 m ²				
2	10,173	0,750 m ²	0,750 m ²	9,663	7,700 m ³	35,270 m ³
3	19,836	0,750 m ²				
3	19,836	1,050 m ²	1,050 m ²	5,164	4,948 m ³	40,218 m ³
4	25,000	1,050 m ²				
3	19,836	0,750 m ²	0,750 m ²	5,164	4,115 m ³	44,333 m ³
4	25,000	0,750 m ²				
4	25,000	1,050 m ²	1,050 m ²	4,499	4,311 m ³	48,644 m ³
5	29,499	1,050 m ²				
4	25,000	0,750 m ²	0,750 m ²	4,499	3,585 m ³	52,229 m ³
5	29,499	0,750 m ²				
5	29,499	1,800 m ²	1,800 m ²	12,581	22,646 m ³	74,875 m ³
6	42,080	1,800 m ²				
6	42,080	1,050 m ²	1,050 m ²	7,920	8,801 m ³	83,676 m ³
7	50,000	1,050 m ²				
6	42,080	0,750 m ²	0,750 m ²	7,920	5,692 m ³	89,368 m ³
7	50,000	0,750 m ²				
7	50,000	1,050 m ²	1,050 m ²	11,190	12,435 m ³	101,803 m ³
8	61,190	1,050 m ²				
7	50,000	0,750 m ²	0,750 m ²	11,190	8,043 m ³	109,846 m ³
8	61,190	0,750 m ²				
8	61,190	1,050 m ²	1,050 m ²	13,810	15,347 m ³	125,193 m ³
9	75,000	1,050 m ²				
8	61,190	0,750 m ²	0,750 m ²	13,810	9,925 m ³	135,118 m ³
9	75,000	0,750 m ²				
9	75,000	1,050 m ²	1,050 m ²	5,300	5,890 m ³	141,008 m ³
10	80,300	1,050 m ²				
9	75,000	0,750 m ²	0,750 m ²	5,300	3,809 m ³	144,817 m ³
10	80,300	0,750 m ²				
10	80,300	1,800 m ²	1,800 m ²	16,785	30,213 m ³	175,030 m ³
11	97,085	1,800 m ²				

COMPUTO DELLE QUANTITA'

					RILEVATO (RI)	
Sezione	Distanza progressiva	Area	Area Media	Distanza parziale	Volume	
					Parziale	Totale
1	0,000	0,299 m ²	0,178 m ²	10,173	1,808 m ³	1,808 m ³
2	10,173	0,057 m ²	0,049 m ²	9,663	0,381 m ³	2,189 m ³
2	10,173	0,057 m ²	0,062 m ²	5,164	0,257 m ³	2,446 m ³
3	19,836	0,042 m ²	0,149 m ²	12,581	1,876 m ³	4,684 m ³
3	19,836	0,042 m ²	0,171 m ²	7,920	1,540 m ³	6,224 m ³
4	25,000	0,083 m ²	0,122 m ²	11,190	1,549 m ³	7,773 m ³
4	25,000	0,083 m ²	0,020 m ²	11,190	0,230 m ³	8,003 m ³
5	29,499	0,119 m ²	0,208 m ²	13,810	3,273 m ³	11,276 m ³
5	29,499	0,119 m ²	0,023 m ²	13,810	0,285 m ³	11,561 m ³
6	42,080	0,179 m ²	0,382 m ²	5,300	2,305 m ³	13,866 m ³
6	42,080	0,179 m ²	0,031 m ²	5,300	0,149 m ³	14,015 m ³
7	50,000	0,163 m ²	0,364 m ²	16,785	6,117 m ³	20,132 m ³
7	50,000	0,163 m ²				
8	61,190	0,080 m ²				
8	61,190	0,080 m ²				
8	61,190	0,080 m ²				
8	61,190	0,040 m ²				
8	61,190	0,040 m ²				
9	75,000	0,336 m ²				
9	75,000	0,005 m ²				
9	75,000	0,336 m ²				
9	75,000	0,005 m ²				
9	75,000	0,336 m ²				
10	80,300	0,428 m ²				
9	75,000	0,005 m ²				
10	80,300	0,057 m ²				
10	80,300	0,485 m ²				
11	97,085	0,244 m ²				

STERRO (ST)

Sezione	Distanza progressiva	Area	Area Media	Distanza parziale	Volume	
					Parziale	Totale
1	0,000	2,990 m ²	2,985 m ²	10,173	30,362 m ³	30,362 m ³
2	10,173	2,979 m ²				
2 Sx	10,173	1,089 m ²	1,026 m ²	9,663	9,079 m ³	39,441 m ³
3	19,836	0,962 m ²				
2 Dx	10,173	1,890 m ²	1,420 m ²	9,663	15,044 m ³	54,485 m ³
3	19,836	0,951 m ²				
3 Sx	19,836	0,962 m ²	0,939 m ²	5,164	4,446 m ³	58,931 m ³
4	25,000	0,916 m ²				
3 Dx	19,836	0,951 m ²	1,025 m ²	5,164	5,689 m ³	64,620 m ³
4	25,000	1,098 m ²				
4 Sx	25,000	0,916 m ²	0,888 m ²	4,499	3,673 m ³	68,293 m ³
5	29,499	0,859 m ²				
4 Dx	25,000	1,098 m ²	1,091 m ²	4,499	5,290 m ³	73,583 m ³
5	29,499	1,084 m ²				
5	29,499	1,944 m ²	1,808 m ²	12,581	22,749 m ³	96,332 m ³
6	42,080	1,673 m ²				
6 Sx	42,080	0,735 m ²	0,722 m ²	7,920	6,016 m ³	102,348 m ³
7	50,000	0,709 m ²				
6 Dx	42,080	0,938 m ²	0,886 m ²	7,920	6,675 m ³	109,023 m ³
7	50,000	0,835 m ²				
7 Sx	50,000	0,709 m ²	0,796 m ²	11,190	9,403 m ³	118,426 m ³
8	61,190	0,884 m ²				
7 Dx	50,000	0,835 m ²	0,745 m ²	11,190	7,957 m ³	126,383 m ³
8	61,190	0,654 m ²				
8 Sx	61,190	0,884 m ²	0,609 m ²	13,810	8,831 m ³	135,214 m ³
9	75,000	0,333 m ²				
8 Dx	61,190	0,654 m ²	0,614 m ²	13,810	8,106 m ³	143,320 m ³
9	75,000	0,573 m ²				
9 Sx	75,000	0,333 m ²	0,235 m ²	5,300	1,292 m ³	144,612 m ³
10	80,300	0,137 m ²				
9 Dx	75,000	0,573 m ²	0,504 m ²	5,300	2,552 m ³	147,164 m ³
10	80,300	0,436 m ²				
10	80,300	0,573 m ²	1,114 m ²	16,785	18,703 m ³	165,867 m ³
11	97,085	1,655 m ²				

PROGETTO ESECUTIVO

S.S. 131 di "Carlo Felice"
Adeguamento e messa in sicurezza della S.S.131
Risoluzione dei nodi critici – 2° stralcio
Dal km 108+300 al km 158+000

TABELLE RIEPILOGATIVE MOVIMENTI DI TERRA VIADOTTI PO.05 - PO.06 - PO.07

**VIADOTTI SU
RISOLUZIONE
ACCESSI PRIVATI**

VIADOTTO PO.05

VIADOTTO PO.05 SU RISOLUZIONE ACCESSI S.13

COMPUTO DEI VOLUMI				Ri .to Dis.:	Pagina Nr. 1	
STERRO				U.Misura :		mc
Sezione	Distanze Progressive	Area	Area Media	Distanze Parziale	VOLUMI	
					Parziale	Totale
1	0.000	0.000	0.391	6.105	2.39	2.39
2	6.105	0.783	40.977	6.595	270.25	272.64
2	6.105	0.783	74.149	7.100	526.46	799.10
3	12.700	81.172	63.045	3.300	208.05	1007.15
3	12.700	81.172	29.568	3.507	103.69	1110.84
4	19.800	67.126	1.071	13.539	14.50	1125.34
4	19.800	67.126	24.653	3.354	82.69	1208.03
5	23.100	58.964	49.565	3.300	163.56	1371.59
5	23.100	58.964	58.564	6.400	374.81	1746.40
6	26.607	0.172	57.461	0.050	2.87	1749.27
6	26.607	0.172	50.156	6.650	333.54	2082.81
7	40.146	1.970	59.900	50.722	164.18	2246.99
7	40.146	1.970	27.875	5.890	164.18	2246.99
8	43.500	47.336	5.028	2.514	21.60	2268.59
8	43.500	47.336	2.514	8.592	21.60	2268.59
9	46.800	51.794				
9	46.800	51.794				
10	53.200	65.333				
10	53.200	65.333				
11	53.250	49.589				
11	53.250	49.589				
12	59.900	50.722				
12	59.900	50.722				
13	65.790	5.028				
13	65.790	5.028				
14	74.382	0.000				
Totale						2268.59

VIADOTTO PO.06

VIADOTTO PO.06 SU RISOLUZIONE ACCESSI S.17

COMPUTO DEI VOLUMI				Ri .to Dis.:		Pagina Nr. 1	
STERRO						U.Misura : mc	
Sezione	Distanze Progressive	Area	Area Media	Distanze Parziale	VOLUMI		
					Parziale	Totale	
2	8.676	0.000	23.170	4.852	112.42	112.42	
3	13.528	46.339	45.707	9.407	429.97	542.39	
3	13.528	46.339	45.707	9.407	429.97	542.39	
4	22.935	45.075	22.538	3.550	80.01	622.40	
4	22.935	45.075	22.538	3.550	80.01	622.40	
5	26.485	0.000	20.000	3.915	78.30	700.70	
6	41.459	0.000	20.000	3.915	78.30	700.70	
7	45.373	40.001	45.353	9.407	426.64	1127.34	
7	45.373	40.001	45.353	9.407	426.64	1127.34	
8	54.780	50.705	25.353	5.440	137.92	1265.26	
8	54.780	50.705	25.353	5.440	137.92	1265.26	
9	60.220	0.000					
					Totale	1265.26	

VIADOTTO PO.07

VIADOTTO PO.07 SU RISOLUZIONE ACCESSI S.02

COMPUTO DEI VOLUMI				Ri .to Dis.:	Pagina Nr. 1	
STERRO				U.Misura :		mc
Sezione	Distanze Progressive	Area	Area Media	Distanze Parziale	VOLUMI	
					Parziale	Totale
1	0.000	0.000	0.012	4.782	0.06	0.06
2	4.782	0.024	16.789	4.292	72.06	72.12
2	4.782	0.024	32.716	0.500	16.36	88.48
3	9.075	33.553	24.316	7.250	176.30	264.78
3	9.075	33.553	17.777	2.050	36.44	301.22
4	9.575	31.879	10.736	7.755	83.26	384.48
4	9.575	31.879	22.762	3.445	78.42	462.90
5	16.825	16.754	44.060	2.050	90.32	553.22
5	16.825	16.754	50.030	7.250	362.72	915.94
6	18.875	18.799	30.157	4.869	146.83	1062.77
6	18.875	18.799	2.761	5.010	13.84	1076.61
7	26.629	2.673				
7	26.629	2.673				
8	30.074	42.850				
8	30.074	42.850				
9	32.124	45.269				
9	32.124	45.269				
10	39.374	54.790				
10	39.374	54.790				
11	44.244	5.523				
11	44.244	5.523				
12	49.254	0.000				
					Totale	1076.61