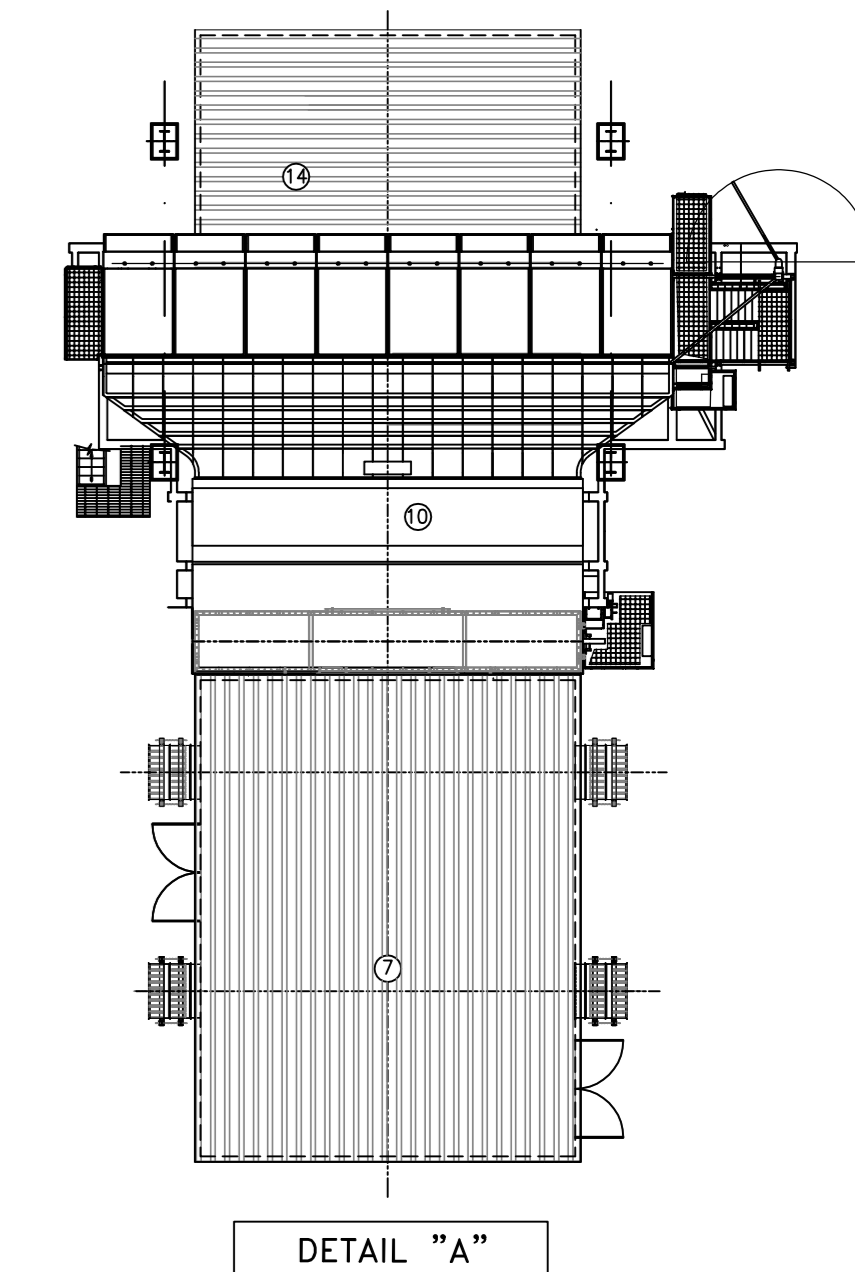
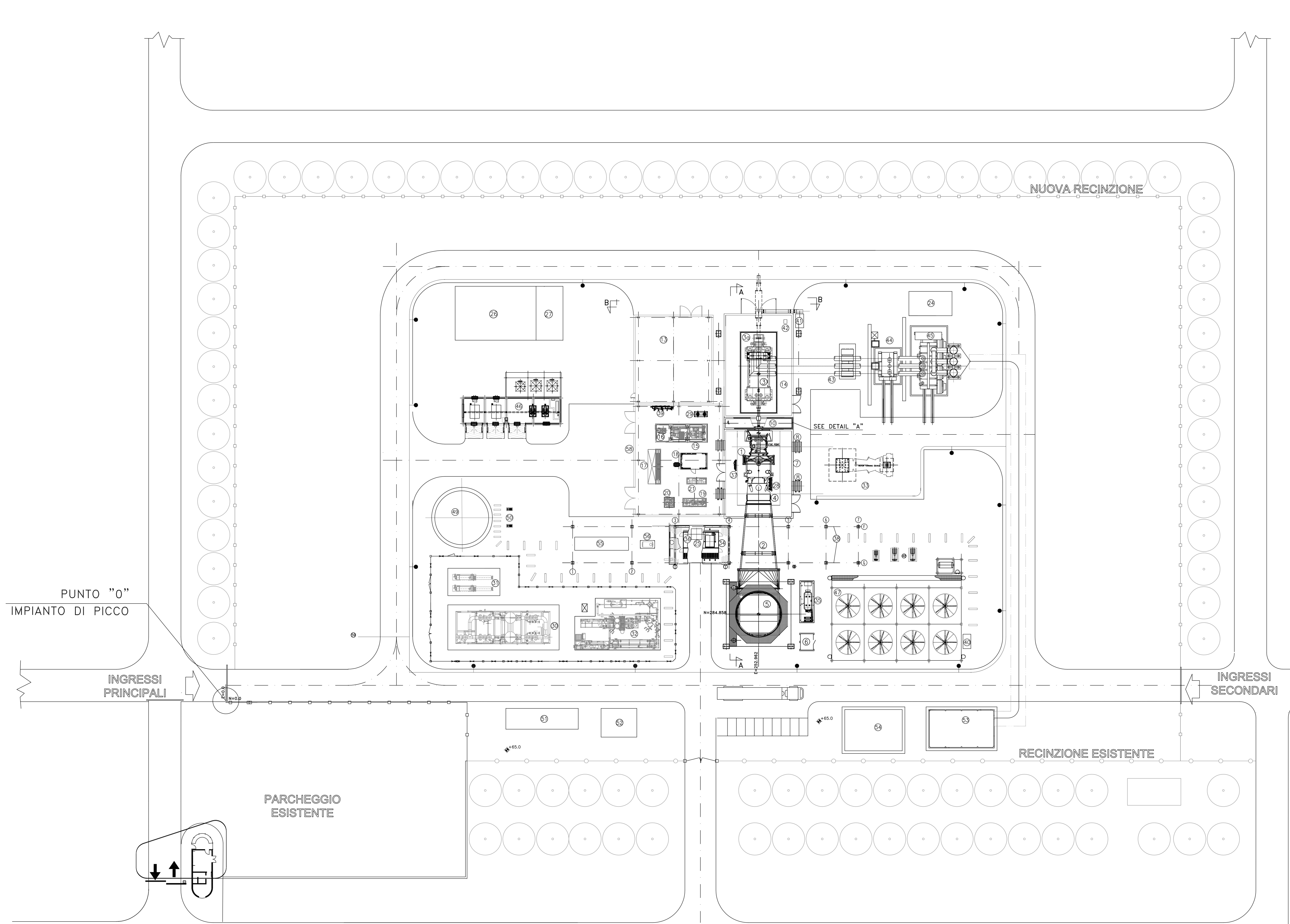


LEGEND	
POS.	
1	GAS TURBINE TYPE AE94.3A
2	EXHAUST STACK
3	GENERATOR
3a	GENERATOR HOUSING
4	FLEXIBLE JOINT
5	STACK
6	CEMS
7	GAS TURBINE ENCLOSURE
8	SOUNDPROOFING PANELS OF THE ENCLOSURE
9	EMERGENCY DIESEL GENERATOR
10	AIR INTAKE INLET DUCT
11	T / G SUCTION SILENCER AND FILTER HOUSING
12	BAR UNDER SHEATHS
13	LOCAL ELECTRICAL BUILDING (MESA)
14	GENERATOR ENCLOSURE
15	GAS TURBINE OIL TANK
16	RDS SYSTEM (ROTOR DISPLACEMENT SYSTEM)
17	LUBE OIL COOLER
18	SKID NATURAL GAS SYSTEM AND COVER
19	GT COMPRESSOR CLEANING
20	HYDRAULIC OIL SYSTEM FOR
21	PNEUMATIC SYSTEM FOR BLOW OFF VALVES
22	GT SKID WATER CLEANING
23	TURBINE SUCTION SLEEVE DRYER
24	TRANSFORMER OIL BASIN
25	TG WATER DISCHARGE BASIN
26	WAREHOUSE
27	SERVICE
28	TURBINE DRAINAGE SYSTEM
29	PNEUMATIC GAS OIL ACCUMULATORS
30	FUEL GAS REDUCING STATION
31	FUEL GAS WATER BATH HEATERS
32	GAS FINAL FILTRATION
33	BASE OF ROTOR ROTATION DEVICE
34	GAS TURBINE COVER AIR EXTRACTORS
35	TAG FIRE PROTECTION SYSTEM
36	GAS SKID COVER AIR EXTRACTOR SHEATH AND FUEL OIL
37	GT INSTRUMENT RACK
38	PIPE RACK
39	FF DELUGE VALVES
40	ELECTRICAL BLDG FIN FAN COOLER
41	GENERATOR HOUSING AIR VACUUMS
42	DEHUMIDIFIER
43	BUS DUCT
44	UNIT TRANSFORMER
45	MAIN TRANSFORMER
46	LOCAL AIR COMPRIE
47	COOLING TOWERS
48	COOLING TOWERS PUMPS
49	DEMI WATER TANK 1000 m3
50	DEMI WATER PUMPS
51	WASTE WATER/OIL PIT
52	RAIN WATER PIT
53	S/S GIS
54	OFFICE & CONTROL ROOM
55	EMERGENCY DIESEL GENERATOR
56	DIESEL TANK
57	FIRE FIGHTING RING
58	AUXILIARY BLDG
59	
60	



NEW ENTRY ↑      EXISTING ROAD OF SITE

**NOTE**

- TUTTE LE DIMENSIONI DI QUESTO DISEGNO SONO IN mm
- TUTTE LE ELEVAZIONI SONO IN mt
- TUTTE LE CORDINATE SONO IN mm
- QUOTA DI RIFERIMENTO EL. 0,00 = 65.00 mt. S.L.M.
- COORDINATE ASSOLUTE PUNTO "0" IMPIANTO DI PICCO N=5008466,039 ; E=1550112,371

Rev.	St. at.	Sc. ac.	Descrizione	Preparato	Controlato	Verificato	Verificato	Verificato	Approvato	Data
rev.	st.	sc.	kind of revision	prepare	checked	checked	checked	checked	approved	date
00			EMISSIONE	AP	EG	GLS			FS	06-14-2021
Progetto/prodotto: IMPIANTO PEAKER di BERTONICO Cliente/client:										
Compresso da: F57800183 Emittente issued by: F57800183 Classe riser. Confid. class: Tipo doc. type: Scala scale: 250 Derivato da derived from: Emittente issued by: Titolo title: Nome file / identificativo: F578 Planimetria generale impianto										
Codice struttura product breakdown structure: Codice documento: 578000183001001 Rev./rev.: Foglio sheet: 001 Segue to of:										

PLANIMETRIA GENERALE