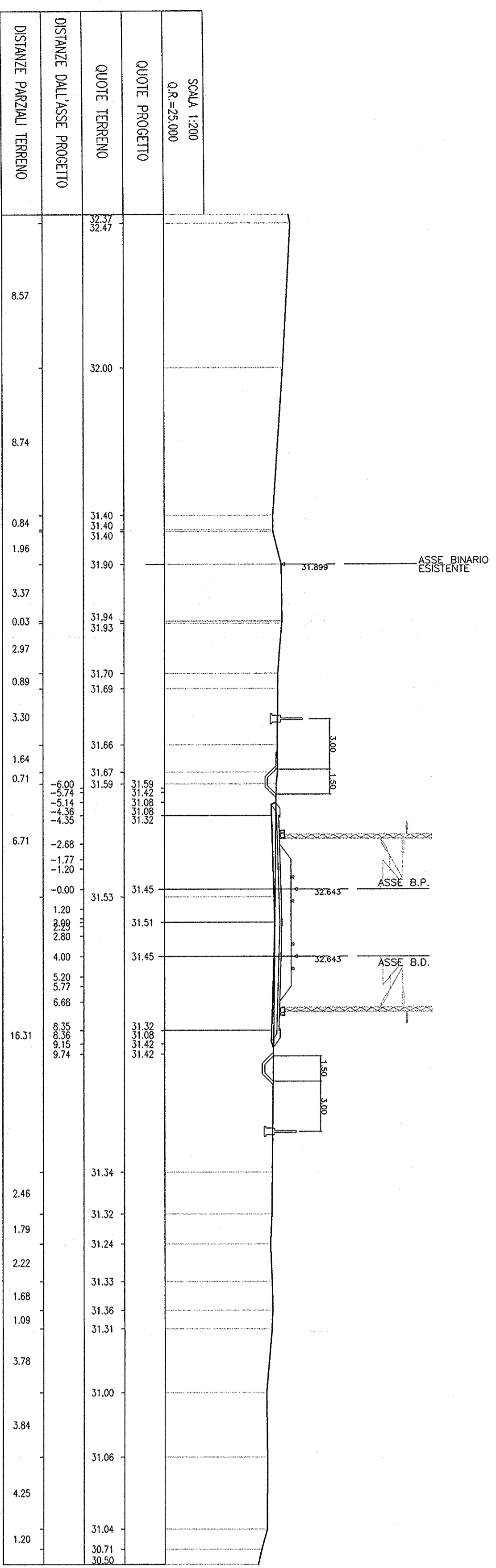
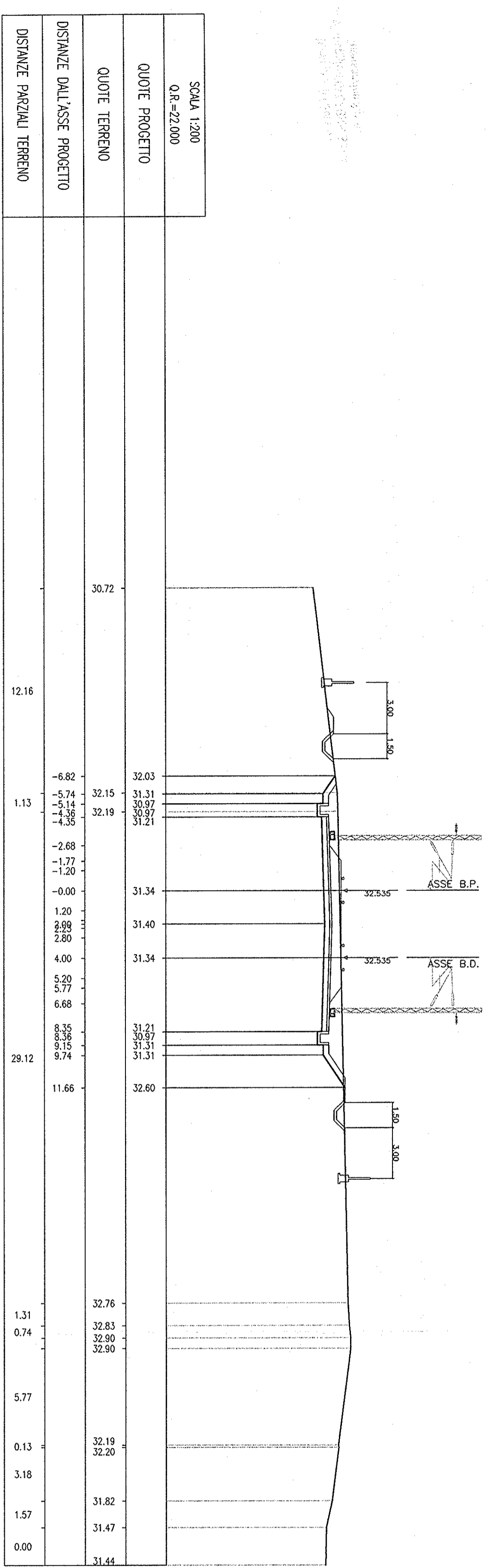


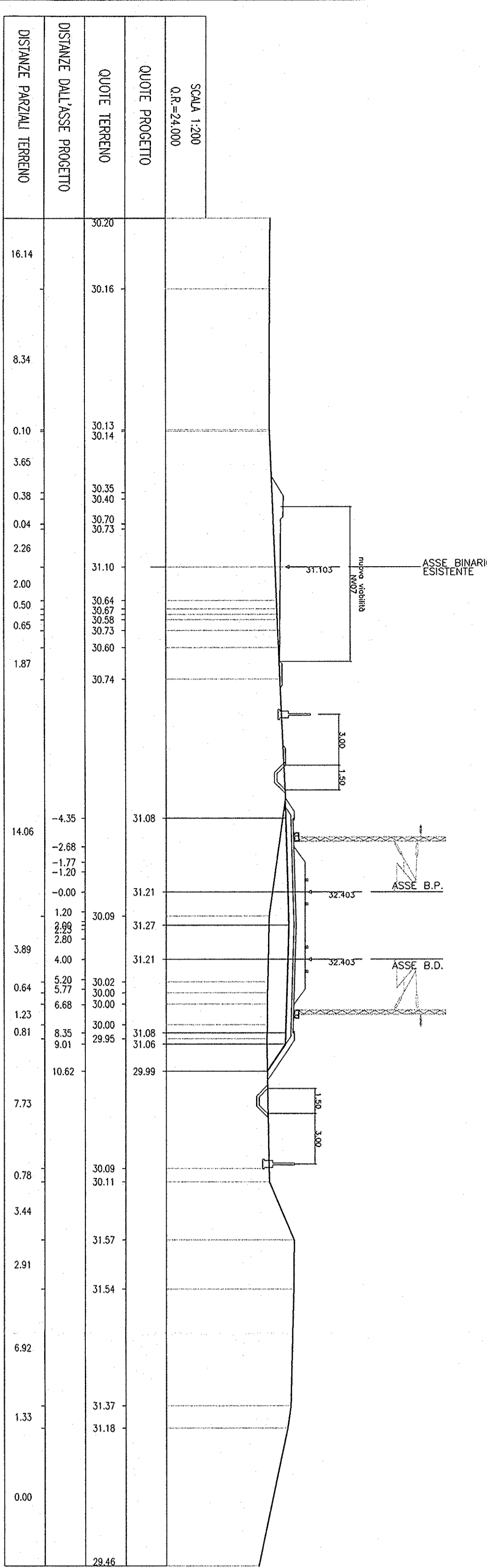
SEZ N. 201  
 PROGRESSIVA=26+900.000



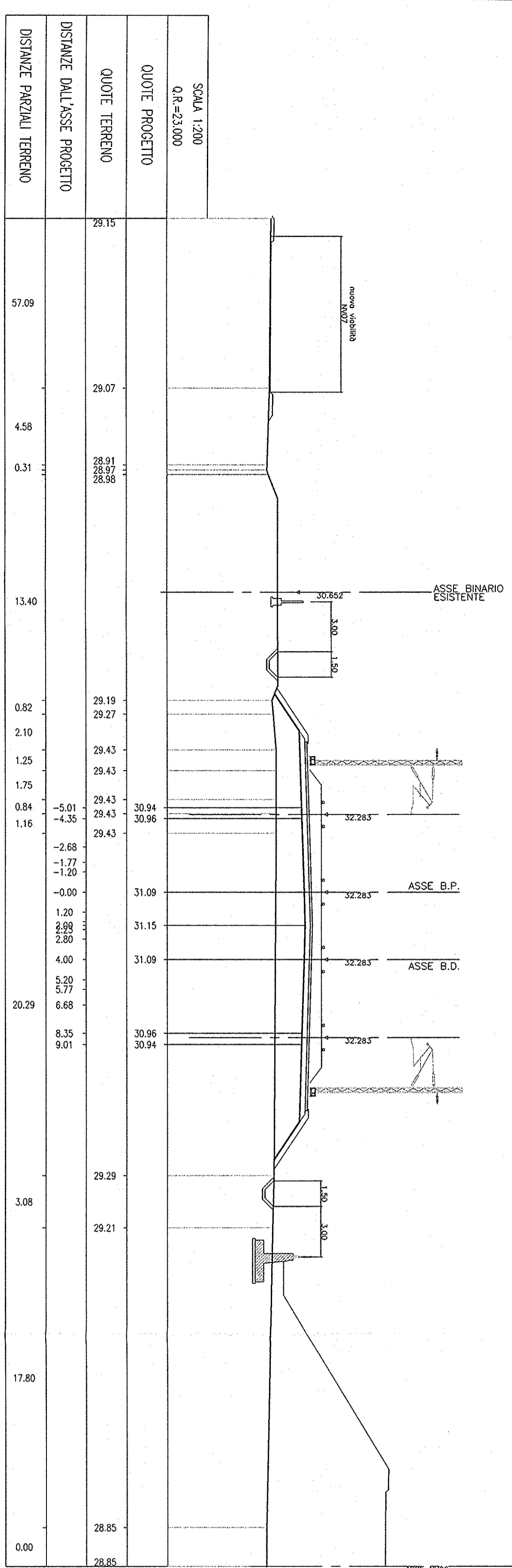
SEZ N. 202  
 PROGRESSIVA=26+990.000



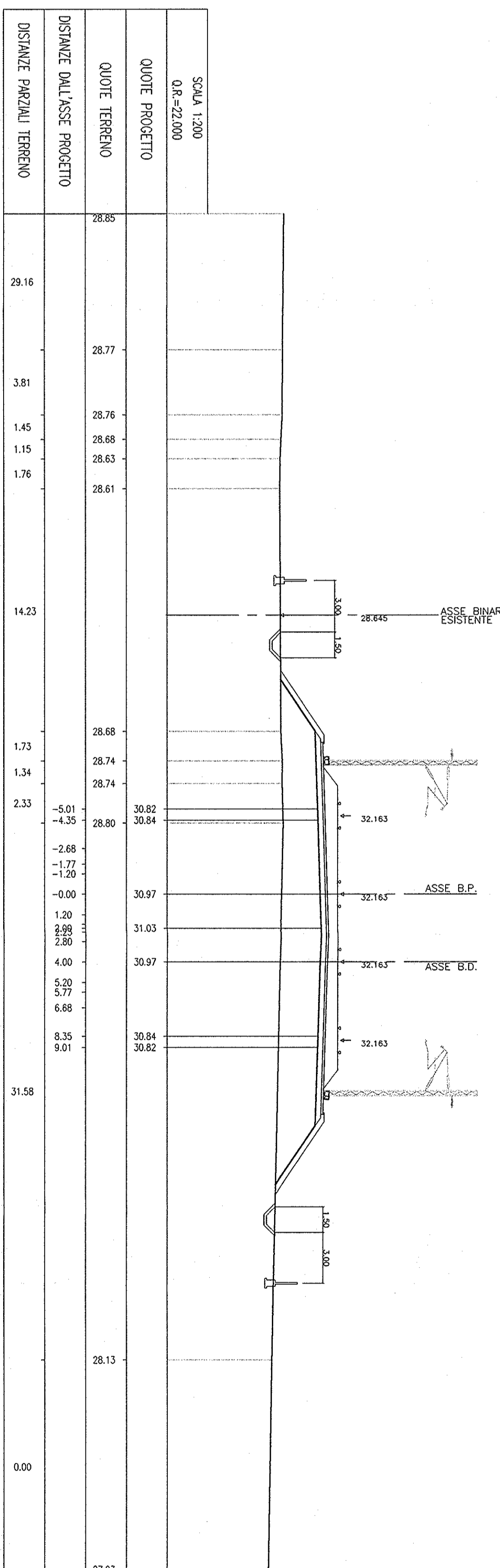
SEZ N. 203  
 PROGRESSIVA=27+100.000



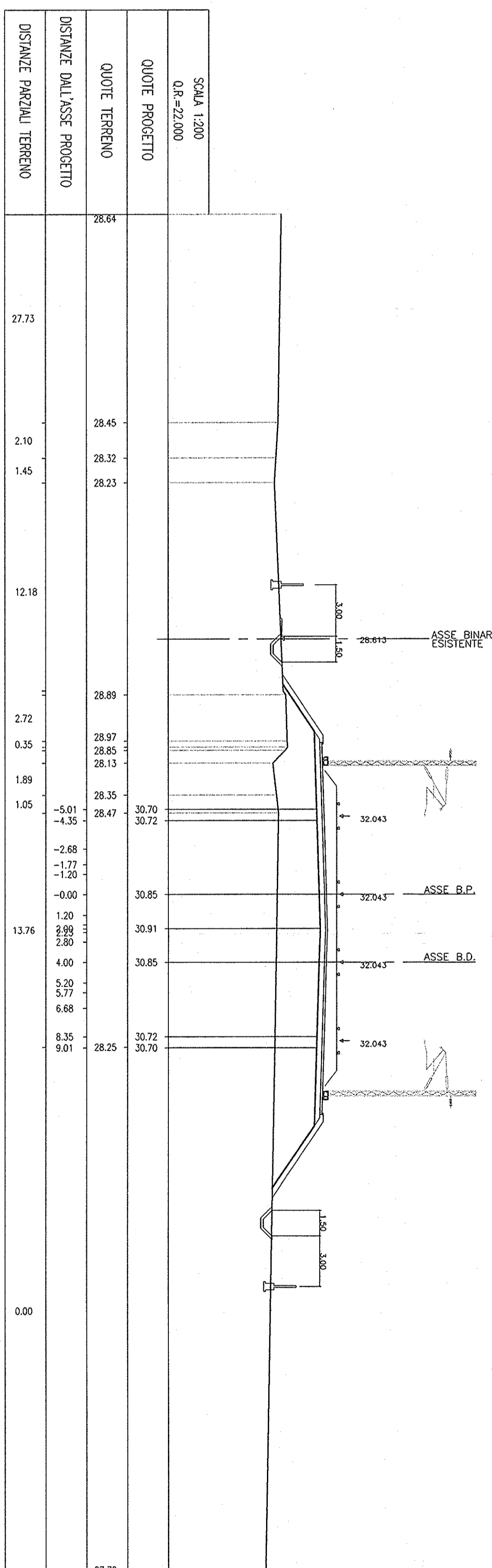
SEZ N. 204  
 PROGRESSIVA=27+200.000



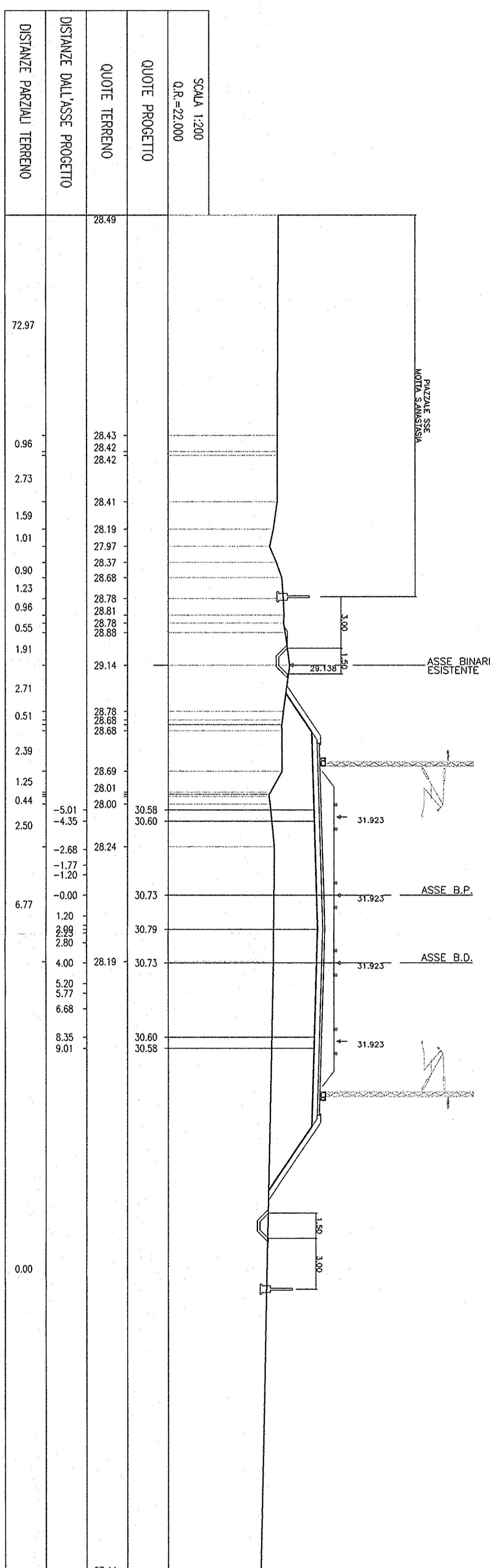
SEZ N. 205  
 PROGRESSIVA=27+300.000



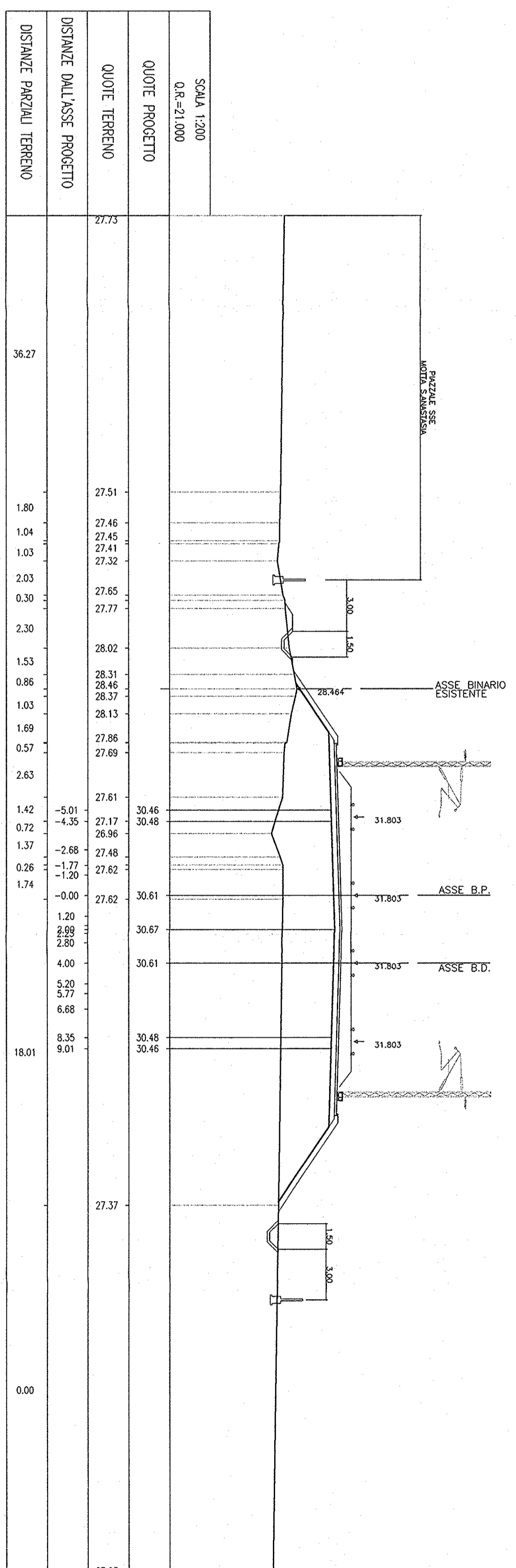
SEZ N. 206  
 PROGRESSIVA=27+400.000



SEZ N. 207  
 PROGRESSIVA=27+500.000



SEZ N. 208  
 PROGRESSIVA=27+600.000



COMMITTEE: **RFI** RAI **GRUPPO FERROVIE DELLO STATO**

PROGETTAZIONE: **ITALFER** GRUPPO FERROVIE DELLO STATO

INFRASTRUTTURE FERROVIARIE STRATEGICHE DEFINITE DALLA  
 LEGGE OBIETTIVO N. 443/01  
 PROGETTO PRELIMINARE

**NIUNO COLLEGAMENTO PALERMO - CATANIA**  
**RADDOPPIO DELLA TRATTA BICOCCA-CATENANUOVA**

Sezioni trasversali di progetto  
 Tav. 26/41

SCALA: 1:200

COMMESSA LOTTO FASE ENTE TIPO DOC. OPERAZIONE/PROGR. REVISIONI

Rev.	Descrizione	Redatto	Data	Verificato	Data	Approvato	Data
A	EMISSIONE ESISTENZA	FERRARIS	10/01/2011	FRANZONI	10/01/2011	FRANZONI	10/01/2011

R11  R12  R13  R14  R15  R16  R17  R18  R19  R20  R21  R22  R23  R24  R25  R26  R27  R28  R29  R30  R31  R32  R33  R34  R35  R36  R37  R38  R39  R40  R41  R42  R43  R44  R45  R46  R47  R48  R49  R50  R51  R52  R53  R54  R55  R56  R57  R58  R59  R60  R61  R62  R63  R64  R65  R66  R67  R68  R69  R70  R71  R72  R73  R74  R75  R76  R77  R78  R79  R80  R81  R82  R83  R84  R85  R86  R87  R88  R89  R90  R91  R92  R93  R94  R95  R96  R97  R98  R99  R100  R101  R102  R103  R104  R105  R106  R107  R108  R109  R110  R111  R112  R113  R114  R115  R116  R117  R118  R119  R120  R121  R122  R123  R124  R125  R126  R127  R128  R129  R130  R131  R132  R133  R134  R135  R136  R137  R138  R139  R140  R141  R142  R143  R144  R145  R146  R147  R148  R149  R150  R151  R152  R153  R154  R155  R156  R157  R158  R159  R160  R161  R162  R163  R164  R165  R166  R167  R168  R169  R170  R171  R172  R173  R174  R175  R176  R177  R178  R179  R180  R181  R182  R183  R184  R185  R186  R187  R188  R189  R190  R191  R192  R193  R194  R195  R196  R197  R198  R199  R200  R201  R202  R203  R204  R205  R206  R207  R208  R209  R210  R211  R212  R213  R214  R215  R216  R217  R218  R219  R220  R221  R222  R223  R224  R225  R226  R227  R228  R229  R230  R231  R232  R233  R234  R235  R236  R237  R238  R239  R240  R241  R242  R243  R244  R245  R246  R247  R248  R249  R250  R251  R252  R253  R254  R255  R256  R257  R258  R259  R260  R261  R262  R263  R264  R265  R266  R267  R268  R269  R270  R271  R272  R273  R274  R275  R276  R277  R278  R279  R280  R281  R282  R283  R284  R285  R286  R287  R288  R289  R290  R291  R292  R293  R294  R295  R296  R297  R298  R299  R300  R301  R302  R303  R304  R305  R306  R307  R308  R309  R310  R311  R312  R313  R314  R315  R316  R317  R318  R319  R320  R321  R322  R323  R324  R325  R326  R327  R328  R329  R330  R331  R332  R333  R334  R335  R336  R337  R338  R339  R340  R341  R342  R343  R344  R345  R346  R347  R348  R349  R350  R351  R352  R353  R354  R355  R356  R357  R358  R359  R360  R361  R362  R363  R364  R365  R366  R367  R368  R369  R370  R371  R372  R373  R374  R375  R376  R377  R378  R379  R380  R381  R382  R383  R384  R385  R386  R387  R388  R389  R390  R391  R392  R393  R394  R395  R396  R397  R398  R399  R400  R401  R402  R403  R404  R405  R406  R407  R408  R409  R410  R411  R412  R413  R414  R415  R416  R417  R418  R419  R420  R421  R422  R423  R424  R425  R426  R427  R428  R429  R430  R431  R432  R433  R434  R435  R436  R437  R438  R439  R440  R441  R442  R443  R444  R445  R446  R447  R448  R449  R450  R451  R452  R453  R454  R455  R456  R457  R458  R459  R460  R461  R462  R463  R464  R465  R466  R467  R468  R469  R470  R471  R472  R473  R474  R475  R476  R477  R478  R479  R480  R481  R482  R483  R484  R485  R486  R487  R488  R489  R490  R491  R492  R493  R494  R495  R496  R497  R498  R499  R500  R501  R502  R503  R504  R505  R506  R507  R508  R509  R510  R511  R512  R513  R514  R515  R516  R517  R518  R519  R520  R521  R522  R523  R524  R525  R526  R527  R528  R529  R530  R531  R532  R533  R534  R535  R536  R537  R538  R539  R540  R541  R542  R543  R544  R545  R546  R547  R548  R549  R550  R551  R552  R553  R554  R555  R556  R557  R558  R559  R560  R561  R562  R563  R564  R565  R566  R567  R568  R569  R570  R571  R572  R573  R574  R575  R576  R577  R578  R579  R580  R581  R582  R583  R584  R585  R586  R587  R588  R589  R590  R591  R592  R593  R594  R595  R596  R597  R598  R599  R600  R601  R602  R603  R604  R605  R606  R607  R608  R609  R610  R611  R612  R613  R614  R615  R616  R617  R618  R619  R620  R621  R622  R623  R624  R625  R626  R627  R628  R629  R630  R631  R632  R633  R634  R635  R636  R637  R638  R639  R640  R641  R642  R643  R644  R645  R646  R647  R648  R649  R650  R651  R652  R653  R654  R655  R656  R657  R658  R659  R660  R661  R662  R663  R664  R665  R666  R667  R668  R669  R670  R671  R672  R673  R674  R675  R676  R677  R678  R679  R680  R681  R682  R683  R684  R685  R686  R687  R688  R689  R690  R691  R692  R693  R694  R695  R696  R697  R698  R699  R700  R701  R702  R703  R704  R705  R706  R707  R708  R709  R710  R711  R712  R713  R714  R715  R716  R717  R718  R719  R720  R721  R722  R723  R724  R725  R726  R727  R728  R729  R730  R731  R732  R733  R734  R735  R736  R737  R738  R739  R740  R741  R742  R743  R744  R745  R746  R747  R748  R749  R750  R751  R752  R753  R754  R755  R756  R757  R758  R759  R760  R761  R762  R763  R764  R765  R766  R767  R768  R769  R770  R771  R772  R773  R774  R775  R776  R777  R778  R779  R780  R781  R782  R783  R784  R785  R786  R787  R788  R789  R790  R791  R792  R793  R794  R795  R796  R797  R798  R799  R800  R801  R802  R803  R804  R805  R806  R807  R808  R809  R810  R811  R812  R813  R814  R815  R816  R817  R818  R819  R820  R821  R822  R823  R824  R825  R826  R827  R828  R829  R830  R831  R832  R833  R834  R835  R836  R837  R838  R839  R840  R841  R842  R843  R844  R845  R846  R847  R848  R849  R850  R851  R852  R853  R854  R855  R856  R857  R858  R859  R860  R861  R862  R863  R864  R865  R866  R867  R868  R869  R870  R871  R872  R873  R874  R875  R876  R877  R878  R879  R880  R881  R882  R883  R884  R885  R886  R887  R888  R889  R890  R891  R892  R893  R894  R895  R896  R897  R898  R899  R900  R901  R902  R903  R904  R905  R906  R907  R908  R909  R910  R911  R912  R913  R914  R915  R916  R917  R918  R919  R920  R921  R922  R923  R924  R925  R926  R927  R928  R929  R930  R931  R932  R933  R934  R935  R936  R937  R938  R939  R940  R941  R942  R943  R944  R945  R946  R947  R948  R949  R950  R951  R952  R953  R954  R955  R956  R957  R958  R959  R960  R961  R962  R963  R964  R965  R966  R967  R968  R969  R970  R971  R972  R973  R974  R975  R976  R977  R978  R979  R980  R981  R982  R983  R984  R985  R986  R987  R988  R989  R990  R991  R992  R993  R994  R995  R996  R997  R998  R999  R1000