



# Autostrada Asti-Cuneo




TRONCO II A21 (ASTI EST) - A6 (MARENE)  
LOTTO 6 RODDI-DIGA ENEL

STRALCIO a  
TRA IL LOTTO II.7 E LA PK. 5+000

PROGETTO DEFINITIVO

03 - PROGETTO STRADALE

03.02 - Dati di progetto - Asse principale  
Sezioni trasversali di computo - Piattaforma separata dir.Cuneo

IMPRESA 	PROGETTISTA 	INTEGRATORE ATTIVITA' SPECIALISTICHE Dott. Ing. Salvatore Sguazzo Albo degli Ingegneri provincia di Salerno n. 5031 	COMMITTENTE Autostrada Asti-Cuneo S.p.A. Direzione e Coordinamento: S.A.L.T. p.A. (Gruppo ASTM) Via XX Settembre, 98/E 00187 Roma
--	--	--	---

REV.	DATA	DESCRIZIONE	REDATTO	CONTR.	APPROV.	RIESAME	DATA	SCALA
A	05-2021	EMISSIONE	Geom. Chelma	Ing. Molteni	Ing. Sguazzo	Ing. Sguazzo	MAGGIO 2021	1:200
							N. Progr.	
							03.02.20	

CODIFICA	PROGETTO	LIV	DOCUMENTO	REV	WBS
	P017	D	CAS SZ	002 A	A33126A000
					CUP
					G31B20001080005

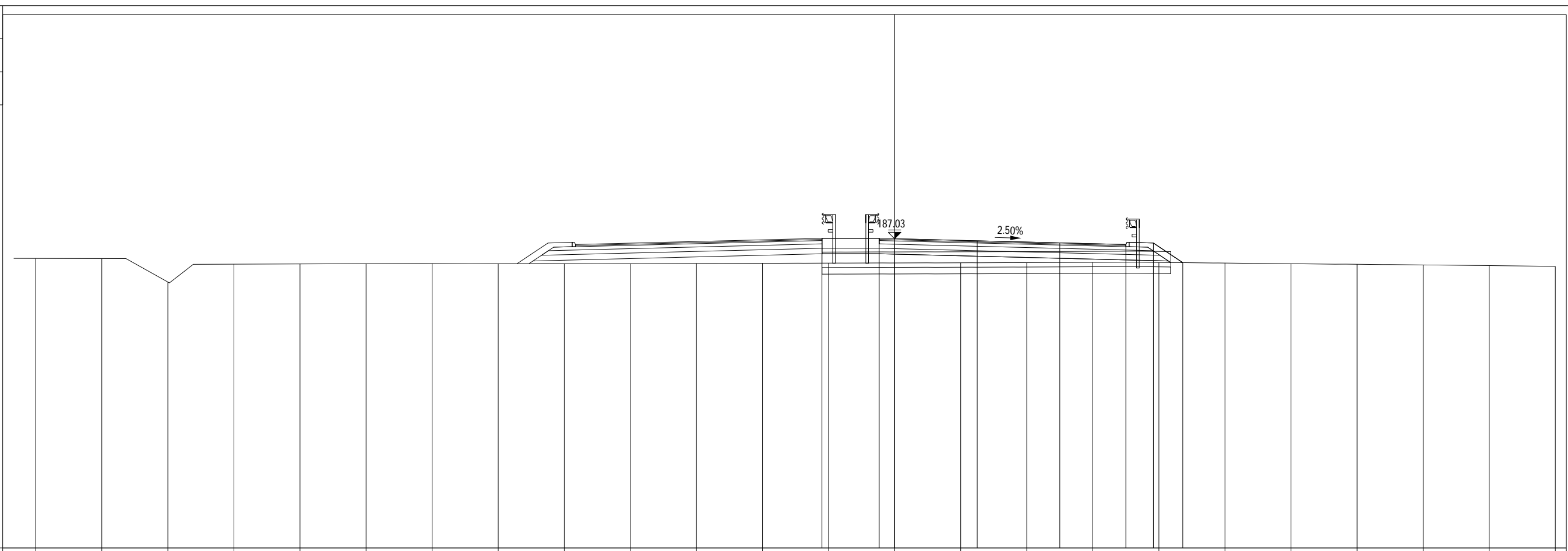
RESPONSABILE DEL PROCEDIMENTO	VISTO DELLA COMMITTENTE

PROFILO 2.6a\_CUNEO

SEZIONE 1

PROGRESSIVA 0.00

A RILEVATO	m <sup>2</sup>	4.30
AN ANTICAPILLARE	m <sup>2</sup>	7.94
C BINDER	m <sup>2</sup>	0.56
D BASE	m <sup>2</sup>	1.85
MC MISTO CEMENTATO	m <sup>2</sup>	3.68
MS MISTO STABILIZZATO	m <sup>2</sup>	3.90
VR VEGETALE RIL	m <sup>2</sup>	0.63
a USURA	m	11.20
br BONIFICA	m	15.89
sc SCOTICO	m	15.89
tn TNT	m	15.89



PROGRESSIVE TERRENO

-39.00	-36.00	-33.00	-30.00	-27.00	-24.00	-21.00	-18.00	-15.00	-12.00	-9.00	-6.00	-3.00	0.00	3.00	6.00	9.00	12.00	15.00	18.00	21.00	24.00	27.00	30.00
--------	--------	--------	--------	--------	--------	--------	--------	--------	--------	-------	-------	-------	------	------	------	------	-------	-------	-------	-------	-------	-------	-------

PARZIALI TERRENO

3.00	3.00	3.00	3.00	3.00	3.00	3.00	3.00	3.00	3.00	3.00	3.00	3.00	3.00	3.00	3.00	3.00	3.00	3.00	3.00	3.00	3.00	3.00	3.00
------	------	------	------	------	------	------	------	------	------	------	------	------	------	------	------	------	------	------	------	------	------	------	------

QUOTE TERRENO

186.13	186.13	185.06	185.87	185.88	185.89	185.90	185.89	185.90	185.90	185.90	185.91	185.92	185.93	185.94	185.94	185.96	185.95	185.92	185.89	185.87	185.84	185.81	185.78
--------	--------	--------	--------	--------	--------	--------	--------	--------	--------	--------	--------	--------	--------	--------	--------	--------	--------	--------	--------	--------	--------	--------	--------

PROGRESSIVE PROGETTO

												-3.30	-0.70	0.00	3.75	7.50	10.50	11.75	13.08				
--	--	--	--	--	--	--	--	--	--	--	--	-------	-------	------	------	------	-------	-------	-------	--	--	--	--

PARZIALI PROGETTO

												2.60	0.70	3.75	3.75	3.00	1.25	1.33					
--	--	--	--	--	--	--	--	--	--	--	--	------	------	------	------	------	------	------	--	--	--	--	--

QUOTE PROGETTO

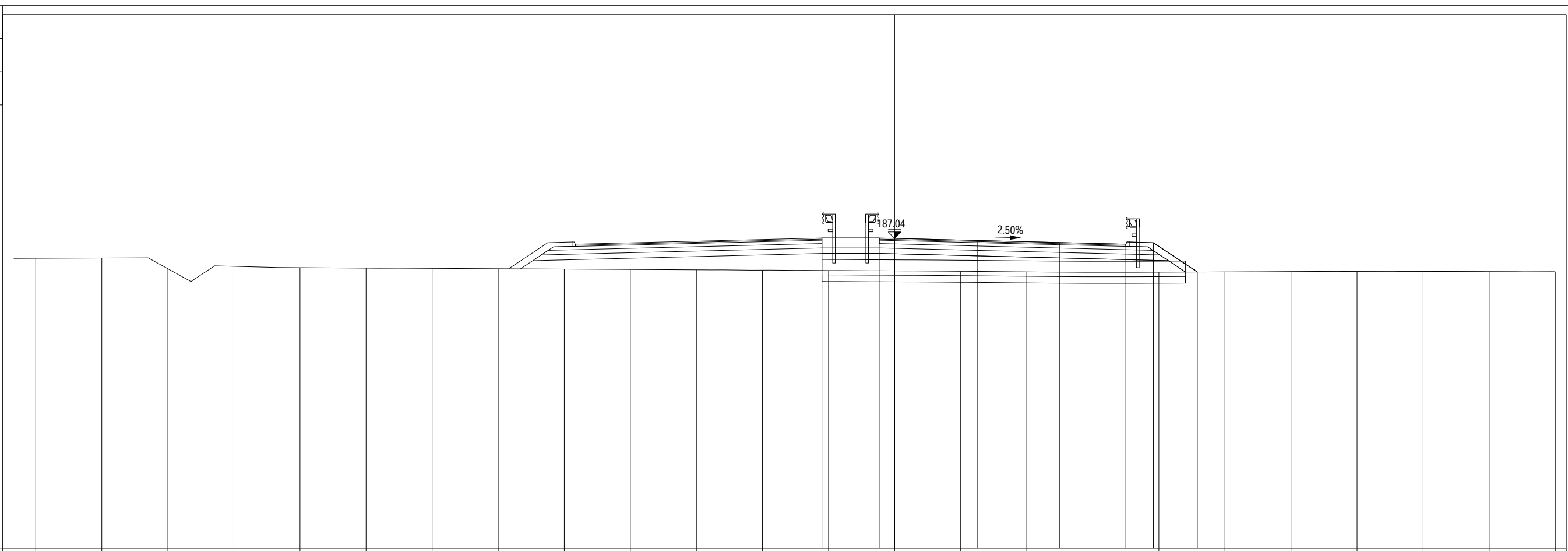
												187.04	187.05	187.03	186.93	186.84	186.77	186.83	185.94				
--	--	--	--	--	--	--	--	--	--	--	--	--------	--------	--------	--------	--------	--------	--------	--------	--	--	--	--

PROFILO 2.6a\_CUNEO

SEZIONE 2

PROGRESSIVA 14.87

A RILEVATO	m <sup>2</sup>	11.04
AN ANTICAPILLARE	m <sup>2</sup>	8.32
C BINDER	m <sup>2</sup>	0.56
D BASE	m <sup>2</sup>	1.86
MC MISTO CEMENTATO	m <sup>2</sup>	3.70
MS MISTO STABILIZZATO	m <sup>2</sup>	3.89
VR VEGETALE RIL	m <sup>2</sup>	0.88
a USURA	m	11.20
br BONIFICA	m	16.56
sc SCOTICO	m	16.56
tn TNT	m	16.56



PROGRESSIVE TERRENO

-39.00	-36.00	-33.00	-30.00	-27.00	-24.00	-21.00	-18.00	-15.00	-12.00	-9.00	-6.00	-3.00	0.00	3.00	6.00	9.00	12.00	15.00	18.00	21.00	24.00	27.00	30.00
--------	--------	--------	--------	--------	--------	--------	--------	--------	--------	-------	-------	-------	------	------	------	------	-------	-------	-------	-------	-------	-------	-------

PARZIALI TERRENO

3.00	3.00	3.00	3.00	3.00	3.00	3.00	3.00	3.00	3.00	3.00	3.00	3.00	3.00	3.00	3.00	3.00	3.00	3.00	3.00	3.00	3.00	3.00	3.00
------	------	------	------	------	------	------	------	------	------	------	------	------	------	------	------	------	------	------	------	------	------	------	------

QUOTE TERRENO

186.14	186.15	185.66	185.77	185.71	185.69	185.68	185.67	185.65	185.63	185.62	185.60	185.58	185.57	185.55	185.52	185.50	185.51	185.52	185.54	185.55	185.55	185.55	185.54	185.53
--------	--------	--------	--------	--------	--------	--------	--------	--------	--------	--------	--------	--------	--------	--------	--------	--------	--------	--------	--------	--------	--------	--------	--------	--------

PROGRESSIVE PROGETTO

												-3.30	-0.70	0.00	3.75	7.50	10.50	11.75	13.75					
--	--	--	--	--	--	--	--	--	--	--	--	-------	-------	------	------	------	-------	-------	-------	--	--	--	--	--

PARZIALI PROGETTO

												2.60	0.70	3.75	3.75	3.00	1.25	2.00						
--	--	--	--	--	--	--	--	--	--	--	--	------	------	------	------	------	------	------	--	--	--	--	--	--

QUOTE PROGETTO

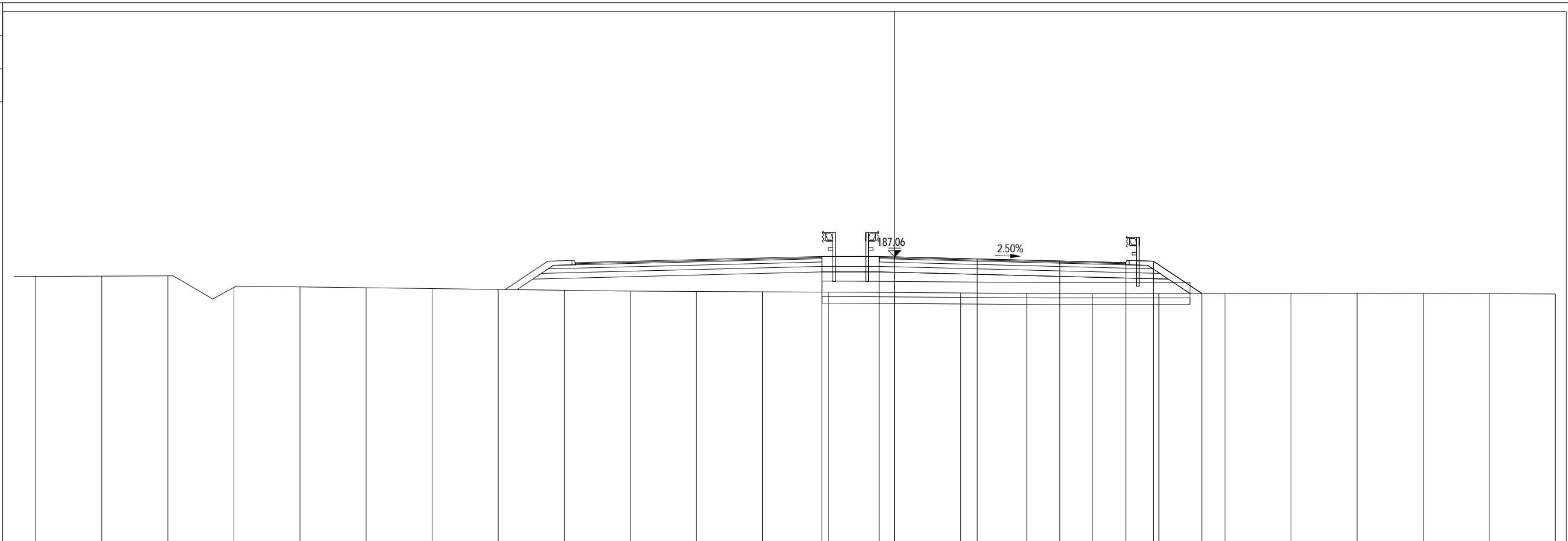
												187.06	187.06	187.04	186.95	186.86	186.78	186.85	185.52					
--	--	--	--	--	--	--	--	--	--	--	--	--------	--------	--------	--------	--------	--------	--------	--------	--	--	--	--	--

PROFILO 2.6a\_CUNEO

SEZIONE 3

PROGRESSIVA 29.87

A RILEVATO	m <sup>2</sup>	13.42
AN ANTICAPILLARE	m <sup>2</sup>	8.38
C BINDER	m <sup>2</sup>	0.56
D BASE	m <sup>2</sup>	1.86
MC MISTO CEMENTATO	m <sup>2</sup>	3.70
MS MISTO STABILIZZATO	m <sup>2</sup>	3.89
VR VEGETALE RIL	m <sup>2</sup>	0.93
a USURA	m	11.20
br BONIFICA	m	16.76
sc SCOTICO	m	16.76
tn TNT	m	16.76



174  
200

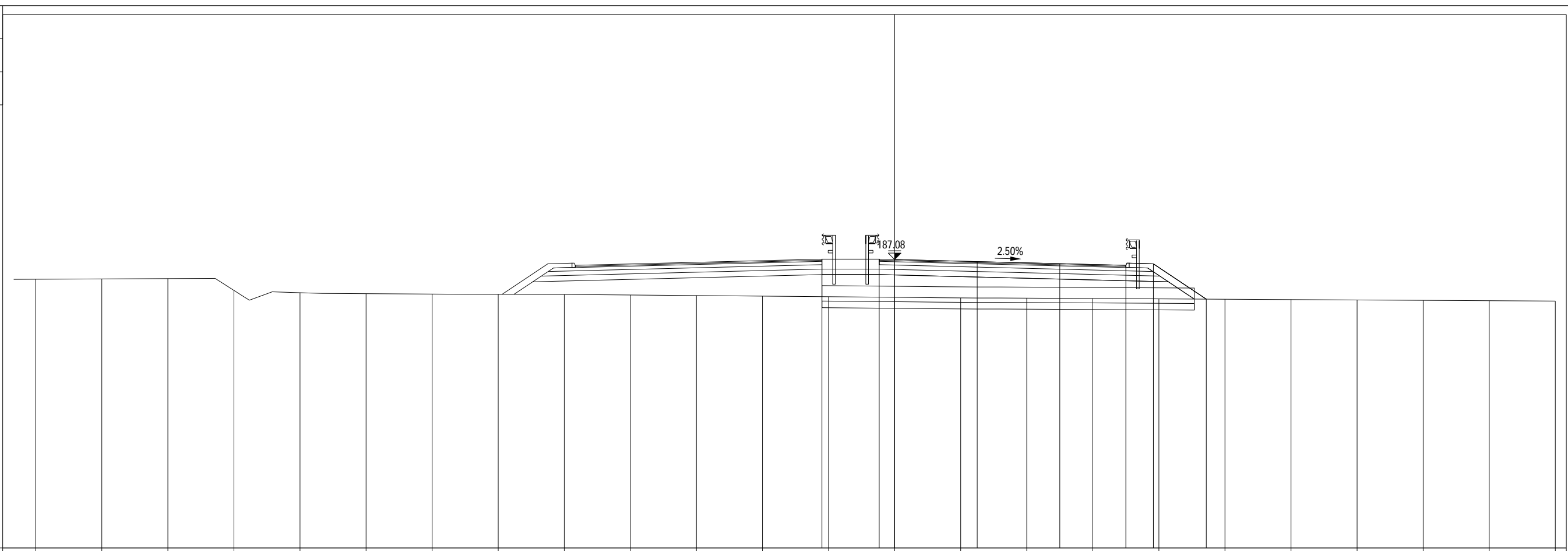
PROGRESSIVE TERRENO	-39.00	-36.00	-33.00	-30.00	-27.00	-24.00	-21.00	-18.00	-15.00	-12.00	-9.00	-6.00	-3.00	0.00	3.00	6.00	9.00	12.00	15.00	18.00	21.00	24.00	27.00	30.00
PARZIALI TERRENO		3.00	3.00	3.00	3.00	3.00	3.00	3.00	3.00	3.00	3.00	3.00	3.00	3.00	3.00	3.00	3.00	3.00	3.00	3.00	3.00	3.00	3.00	3.00
QUOTE TERRENO	186.17	186.18	186.19	185.67	185.69	185.66	185.62	185.58	185.54	185.50	185.49	185.47	185.46	185.44	185.42	185.40	185.39	185.39	185.39	185.40	185.40	185.40	185.39	185.37
PROGRESSIVE PROGETTO													-3.30	-0.70	0.00	3.75	7.50	10.50	11.75	13.95				
PARZIALI PROGETTO													2.60	0.70	3.75	3.75	3.00	1.25	2.20					
QUOTE PROGETTO													187.08	187.08	187.06	186.96	186.87	186.80	186.86	185.39				

PROFILO 2.6a\_CUNEO

SEZIONE 4

PROGRESSIVA 54.87

A RILEVATO	m <sup>2</sup>	14.98
AN ANTICAPILLARE	m <sup>2</sup>	8.47
C BINDER	m <sup>2</sup>	0.56
D BASE	m <sup>2</sup>	1.86
MC MISTO CEMENTATO	m <sup>2</sup>	3.69
MS MISTO STABILIZZATO	m <sup>2</sup>	3.90
VR VEGETALE RIL	m <sup>2</sup>	1.03
a USURA	m	11.20
br BONIFICA	m	16.95
sc SCOTICO	m	16.95
tn TNT	m	16.95



PROGRESSIVE TERRENO

-39.00	-36.00	-33.00	-30.00	-27.00	-24.00	-21.00	-18.00	-15.00	-12.00	-9.00	-6.00	-3.00	0.00	3.00	6.00	9.00	12.00	15.00	18.00	21.00	24.00	27.00	30.00
--------	--------	--------	--------	--------	--------	--------	--------	--------	--------	-------	-------	-------	------	------	------	------	-------	-------	-------	-------	-------	-------	-------

PARZIALI TERRENO

3.00	3.00	3.00	3.00	3.00	3.00	3.00	3.00	3.00	3.00	3.00	3.00	3.00	3.00	3.00	3.00	3.00	3.00	3.00	3.00	3.00	3.00	3.00	3.00
------	------	------	------	------	------	------	------	------	------	------	------	------	------	------	------	------	------	------	------	------	------	------	------

QUOTE TERRENO

186.19	186.20	186.22	185.68	185.58	185.54	185.52	185.51	185.50	185.47	185.45	185.42	185.40	185.37	185.34	185.33	185.32	185.30	185.28	185.27	185.25	185.23	185.22	185.20
--------	--------	--------	--------	--------	--------	--------	--------	--------	--------	--------	--------	--------	--------	--------	--------	--------	--------	--------	--------	--------	--------	--------	--------

PROGRESSIVE PROGETTO

												-3.30	-0.70	0.00										
--	--	--	--	--	--	--	--	--	--	--	--	-------	-------	------	--	--	--	--	--	--	--	--	--	--

PARZIALI PROGETTO

												2.60	0.70	3.75	3.75	3.00	1.25	2.40					
--	--	--	--	--	--	--	--	--	--	--	--	------	------	------	------	------	------	------	--	--	--	--	--

QUOTE PROGETTO

												187.10	187.10	187.08	186.99	186.90	186.82	186.89	185.29				
--	--	--	--	--	--	--	--	--	--	--	--	--------	--------	--------	--------	--------	--------	--------	--------	--	--	--	--

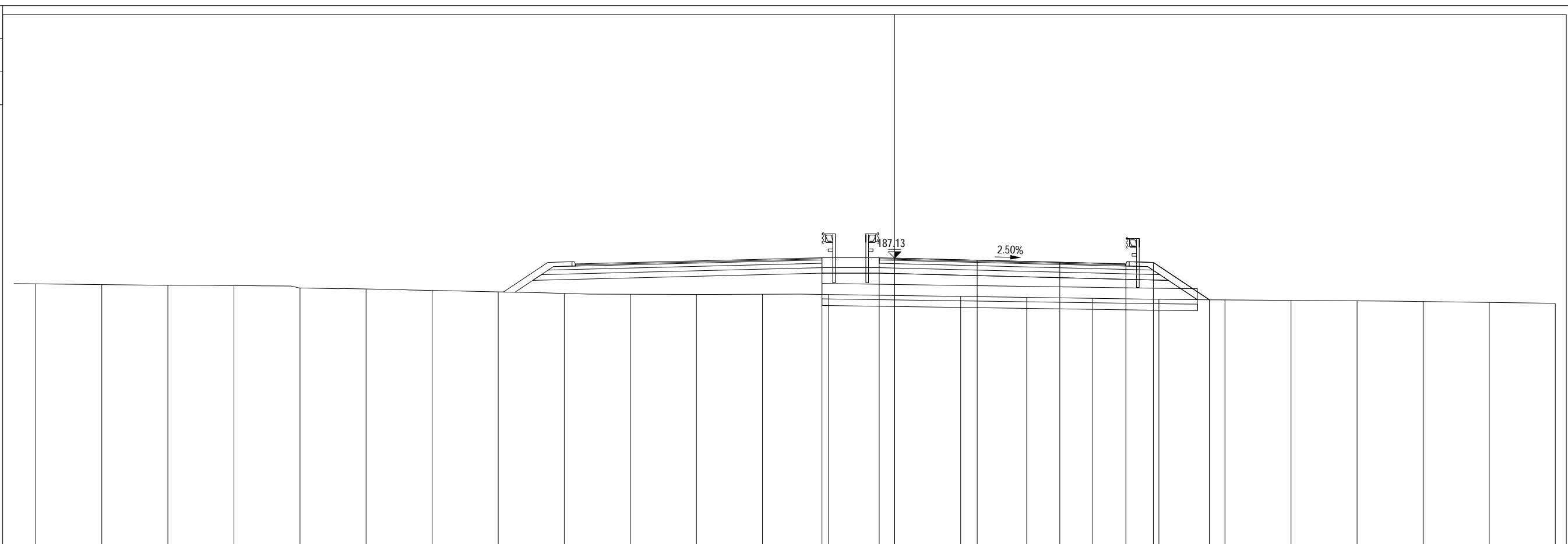


PROFILO 2.6a\_CUNEO

SEZIONE 6

PROGRESSIVA 104.87

A RILEVATO	m <sup>2</sup>	15.37
AN ANTICAPILLARE	m <sup>2</sup>	8.55
C BINDER	m <sup>2</sup>	0.56
D BASE	m <sup>2</sup>	1.87
MC MISTO CEMENTATO	m <sup>2</sup>	3.69
MS MISTO STABILIZZATO	m <sup>2</sup>	3.90
VR VEGETALE RIL	m <sup>2</sup>	1.07
a USURA	m	11.20
br BONIFICA	m	17.10
sc SCOTICO	m	17.10
tn TNT	m	17.10



PROGRESSIVE TERRENO

-39.00	-36.00	-33.00	-30.00	-27.00	-24.00	-21.00	-18.00	-15.00	-12.00	-9.00	-6.00	-3.00	0.00	3.00	6.00	9.00	12.00	15.00	18.00	21.00	24.00	27.00	30.00
--------	--------	--------	--------	--------	--------	--------	--------	--------	--------	-------	-------	-------	------	------	------	------	-------	-------	-------	-------	-------	-------	-------

PARZIALI TERRENO

3.00	3.00	3.00	3.00	3.00	3.00	3.00	3.00	3.00	3.00	3.00	3.00	3.00	3.00	3.00	3.00	3.00	3.00	3.00	3.00	3.00	3.00	3.00	3.00
------	------	------	------	------	------	------	------	------	------	------	------	------	------	------	------	------	------	------	------	------	------	------	------

QUOTE TERRENO

185.97	185.93	185.90	185.89	185.78	185.73	185.67	185.60	185.53	185.49	185.49	185.49	185.48	185.44	185.40	185.35	185.31	185.27	185.24	185.22	185.19	185.16	185.12	185.08
--------	--------	--------	--------	--------	--------	--------	--------	--------	--------	--------	--------	--------	--------	--------	--------	--------	--------	--------	--------	--------	--------	--------	--------

PROGRESSIVE PROGETTO

												-3.30	-0.70	0.00	3.75	7.50	10.50	11.75	14.29				
--	--	--	--	--	--	--	--	--	--	--	--	-------	-------	------	------	------	-------	-------	-------	--	--	--	--

PARZIALI PROGETTO

												2.60	0.70	3.75	3.75	3.00	1.25	2.54					
--	--	--	--	--	--	--	--	--	--	--	--	------	------	------	------	------	------	------	--	--	--	--	--

QUOTE PROGETTO

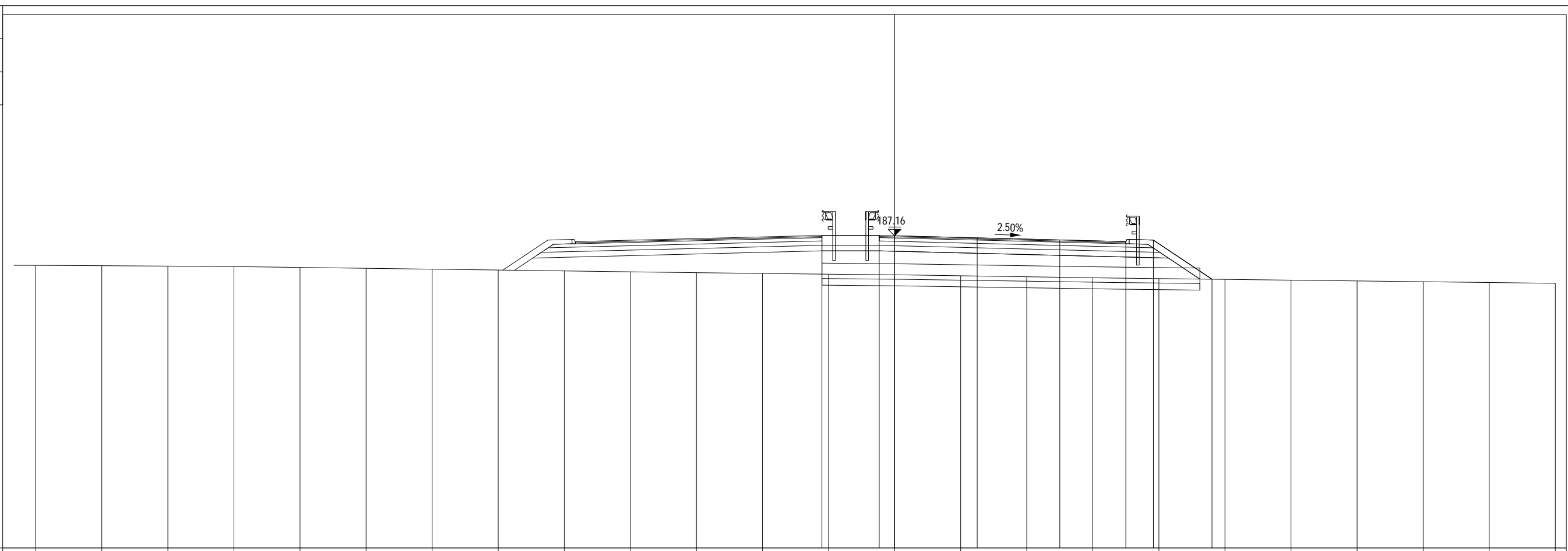
												187.15	187.15	187.13	187.04	186.95	186.87	186.94	185.24				
--	--	--	--	--	--	--	--	--	--	--	--	--------	--------	--------	--------	--------	--------	--------	--------	--	--	--	--

PROFILO 2.6a\_CUNEO

SEZIONE 7

PROGRESSIVA 129.87

A RILEVATO	m <sup>2</sup>	16.79
AN ANTICAPILLARE	m <sup>2</sup>	8.61
C BINDER	m <sup>2</sup>	0.56
D BASE	m <sup>2</sup>	1.86
MC MISTO CEMENTATO	m <sup>2</sup>	3.70
MS MISTO STABILIZZATO	m <sup>2</sup>	3.89
VR VEGETALE RIL	m <sup>2</sup>	1.09
a USURA	m	11.20
br BONIFICA	m	17.21
sc SCOTICO	m	17.21
tn TNT	m	17.21



PROGRESSIVE TERRENO

-39.00	-36.00	-33.00	-30.00	-27.00	-24.00	-21.00	-18.00	-15.00	-12.00	-9.00	-6.00	-3.00	0.00	3.00	6.00	9.00	12.00	15.00	18.00	21.00	24.00	27.00	30.00
--------	--------	--------	--------	--------	--------	--------	--------	--------	--------	-------	-------	-------	------	------	------	------	-------	-------	-------	-------	-------	-------	-------

PARZIALI TERRENO

3.00	3.00	3.00	3.00	3.00	3.00	3.00	3.00	3.00	3.00	3.00	3.00	3.00	3.00	3.00	3.00	3.00	3.00	3.00	3.00	3.00	3.00	3.00	3.00
------	------	------	------	------	------	------	------	------	------	------	------	------	------	------	------	------	------	------	------	------	------	------	------

QUOTE TERRENO

185.82	185.80	185.79	185.76	185.73	185.69	185.65	185.61	185.57	185.53	185.49	185.45	185.42	185.39	185.35	185.30	185.26	185.22	185.18	185.15	185.11	185.08	185.04	185.01
--------	--------	--------	--------	--------	--------	--------	--------	--------	--------	--------	--------	--------	--------	--------	--------	--------	--------	--------	--------	--------	--------	--------	--------

PROGRESSIVE PROGETTO

												-3.30	-0.70	0.00	3.75	7.50	10.50	11.75	14.41				
--	--	--	--	--	--	--	--	--	--	--	--	-------	-------	------	------	------	-------	-------	-------	--	--	--	--

PARZIALI PROGETTO

												2.60	0.70	3.75	3.75	3.00	1.25	2.66					
--	--	--	--	--	--	--	--	--	--	--	--	------	------	------	------	------	------	------	--	--	--	--	--

QUOTE PROGETTO

												187.18	187.18	187.16	187.07	186.97	186.90	186.96	185.19				
--	--	--	--	--	--	--	--	--	--	--	--	--------	--------	--------	--------	--------	--------	--------	--------	--	--	--	--

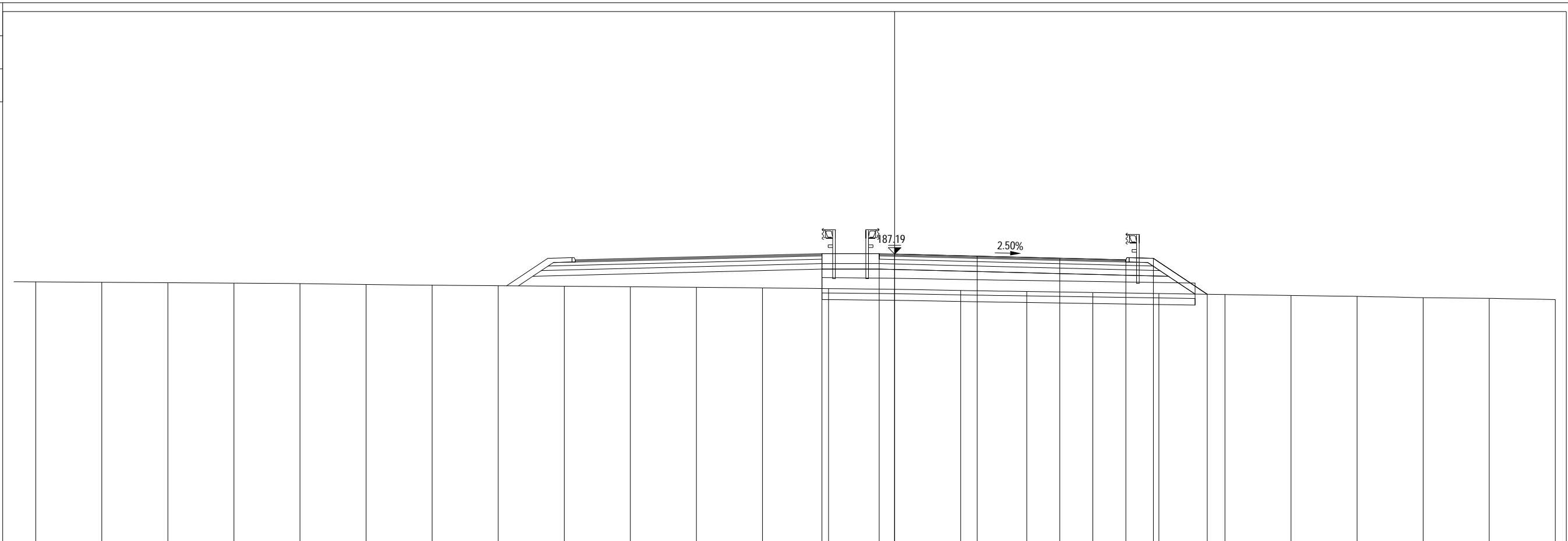


PROFILO 2.6a\_CUNEO

SEZIONE 8

PROGRESSIVA 154.87

A RILEVATO	m <sup>2</sup>	13.94
AN ANTICAPILLARE	m <sup>2</sup>	8.49
C BINDER	m <sup>2</sup>	0.56
D BASE	m <sup>2</sup>	1.85
MC MISTO CEMENTATO	m <sup>2</sup>	3.70
MS MISTO STABILIZZATO	m <sup>2</sup>	3.90
VR VEGETALE RIL	m <sup>2</sup>	1.04
a USURA	m	11.20
br BONIFICA	m	16.99
sc SCOTICO	m	16.99
tn TNT	m	16.99



PROGRESSIVE TERRENO

-39.00	-36.00	-33.00	-30.00	-27.00	-24.00	-21.00	-18.00	-15.00	-12.00	-9.00	-6.00	-3.00	0.00	3.00	6.00	9.00	12.00	15.00	18.00	21.00	24.00	27.00	30.00
--------	--------	--------	--------	--------	--------	--------	--------	--------	--------	-------	-------	-------	------	------	------	------	-------	-------	-------	-------	-------	-------	-------

PARZIALI TERRENO

3.00	3.00	3.00	3.00	3.00	3.00	3.00	3.00	3.00	3.00	3.00	3.00	3.00	3.00	3.00	3.00	3.00	3.00	3.00	3.00	3.00	3.00	3.00	3.00
------	------	------	------	------	------	------	------	------	------	------	------	------	------	------	------	------	------	------	------	------	------	------	------

QUOTE TERRENO

185.92	185.90	185.88	185.87	185.84	185.80	185.77	185.75	185.72	185.70	185.68	185.65	185.62	185.58	185.53	185.49	185.44	185.39	185.35	185.30	185.26	185.20	185.17	185.12
--------	--------	--------	--------	--------	--------	--------	--------	--------	--------	--------	--------	--------	--------	--------	--------	--------	--------	--------	--------	--------	--------	--------	--------

PROGRESSIVE PROGETTO

												-3.30	-0.70	0.00	3.75	7.50	10.50	11.75	14.20				
--	--	--	--	--	--	--	--	--	--	--	--	-------	-------	------	------	------	-------	-------	-------	--	--	--	--

PARZIALI PROGETTO

												2.60	0.70	3.75	3.75	3.00	1.25	2.45					
--	--	--	--	--	--	--	--	--	--	--	--	------	------	------	------	------	------	------	--	--	--	--	--

QUOTE PROGETTO

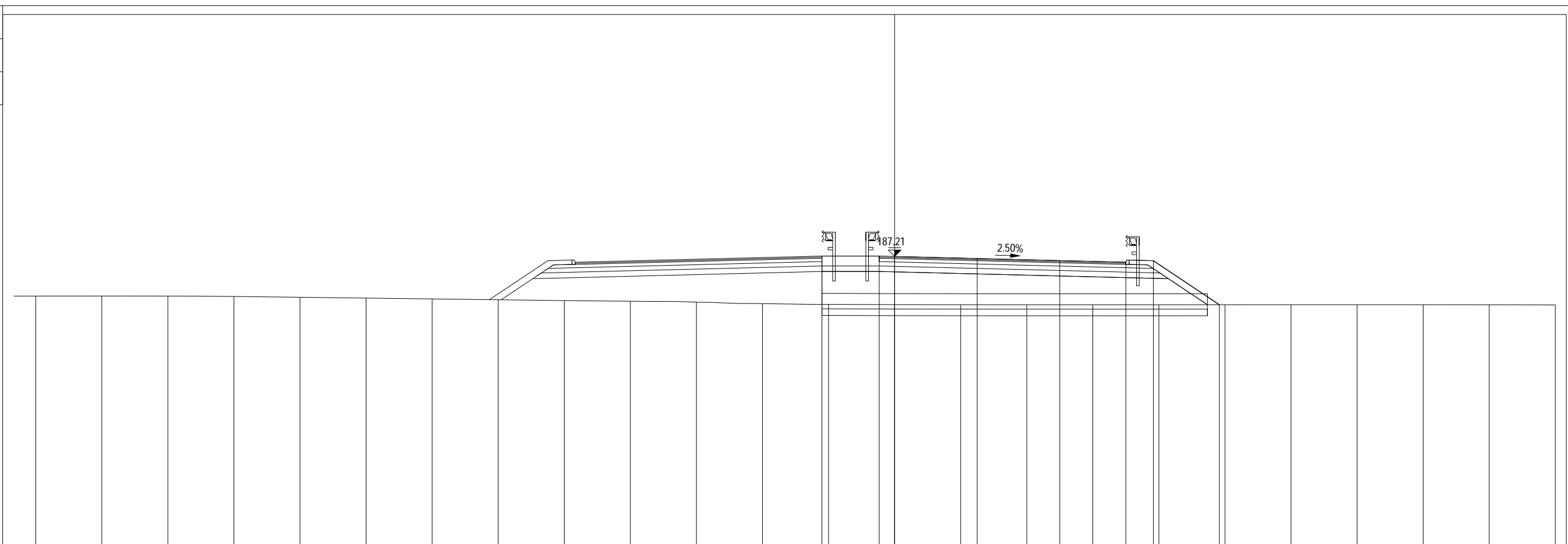
												187.20	187.20	187.19	187.09	187.00	186.92	186.99	185.36				
--	--	--	--	--	--	--	--	--	--	--	--	--------	--------	--------	--------	--------	--------	--------	--------	--	--	--	--

PROFILO 2.6a\_CUNEO

SEZIONE 9

PROGRESSIVA 179.87

A RILEVATO	m <sup>2</sup>	22.71
AN ANTICAPILLARE	m <sup>2</sup>	8.85
C BINDER	m <sup>2</sup>	0.56
D BASE	m <sup>2</sup>	1.86
MC MISTO CEMENTATO	m <sup>2</sup>	3.71
MS MISTO STABILIZZATO	m <sup>2</sup>	3.89
VR VEGETALE RIL	m <sup>2</sup>	1.21
a USURA	m	11.20
br BONIFICA	m	17.55
sc SCOTICO	m	17.55
tn TNT	m	17.55



174

200  
200

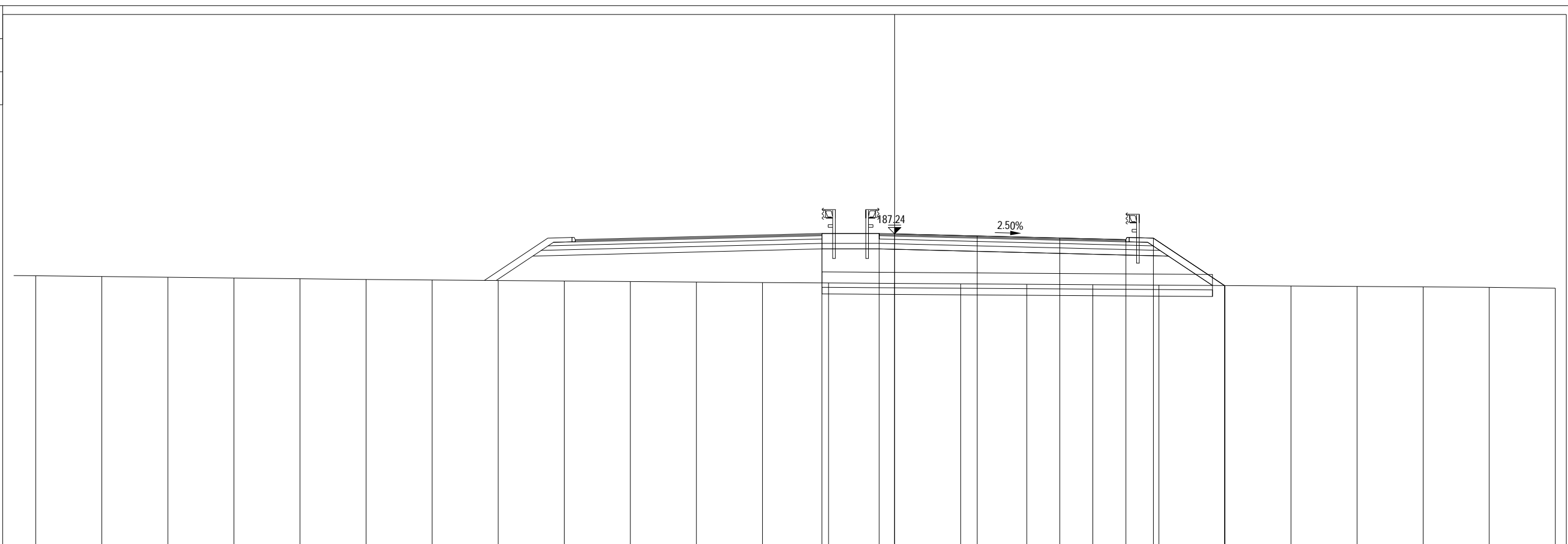
PROGRESSIVE TERRENO	-39.00	-36.00	-33.00	-30.00	-27.00	-24.00	-21.00	-18.00	-15.00	-12.00	-9.00	-6.00	-3.00	0.00	3.00	6.00	9.00	12.00	15.00	18.00	21.00	24.00	27.00	30.00	
PARZIALI TERRENO		3.00	3.00	3.00	3.00	3.00	3.00	3.00	3.00	3.00	3.00	3.00	3.00	3.00	3.00	3.00	3.00	3.00	3.00	3.00	3.00	3.00	3.00	3.00	
QUOTE TERRENO	185.41	185.41	185.41	185.39	185.36	185.32	185.28	185.24	185.21	185.18	185.13	185.07	185.03	185.02	185.02	185.02	185.02	185.02	185.02	185.02	185.02	185.02	185.02	185.02	185.01
PROGRESSIVE PROGETTO													-3.30	-0.70	0.00	3.75	7.50	10.50	11.75	14.75					
PARZIALI PROGETTO													2.60	0.70	3.75	3.75	3.00	1.25	3.00						
QUOTE PROGETTO													187.23	187.23	187.21	187.12	187.02	186.95	187.02	185.02					

PROFILO 2.6a\_CUNEO

SEZIONE 10

PROGRESSIVA 204.87

A RILEVATO	m <sup>2</sup>	24.27
AN ANTICAPILLARE	m <sup>2</sup>	8.90
C BINDER	m <sup>2</sup>	0.56
D BASE	m <sup>2</sup>	1.86
MC MISTO CEMENTATO	m <sup>2</sup>	3.70
MS MISTO STABILIZZATO	m <sup>2</sup>	3.89
VR VEGETALE RIL	m <sup>2</sup>	1.33
a USURA	m	11.20
br BONIFICA	m	17.78
sc SCOTICO	m	17.78
tn TNT	m	17.78



PROGRESSIVE TERRENO	-39.00	-36.00	-33.00	-30.00	-27.00	-24.00	-21.00	-18.00	-15.00	-12.00	-9.00	-6.00	-3.00	0.00	3.00	6.00	9.00	12.00	15.00	18.00	21.00	24.00	27.00	30.00
PARZIALI TERRENO		3.00	3.00	3.00	3.00	3.00	3.00	3.00	3.00	3.00	3.00	3.00	3.00	3.00	3.00	3.00	3.00	3.00	3.00	3.00	3.00	3.00	3.00	3.00
QUOTE TERRENO	185.33	185.30	185.27	185.23	185.20	185.17	185.14	185.12	185.09	185.07	185.05	185.03	185.01	184.99	184.97	184.95	184.93	184.91	184.89	184.87	184.85	184.83	184.81	184.77
PROGRESSIVE PROGETTO													-3.30	-0.70	0.00	3.75	7.50	10.50	11.75	14.98				
PARZIALI PROGETTO													2.60	0.70	3.75	3.75	3.00	1.25	3.23					
QUOTE PROGETTO													187.25	187.25	187.24	187.14	187.05	186.97	187.04	184.89				

173

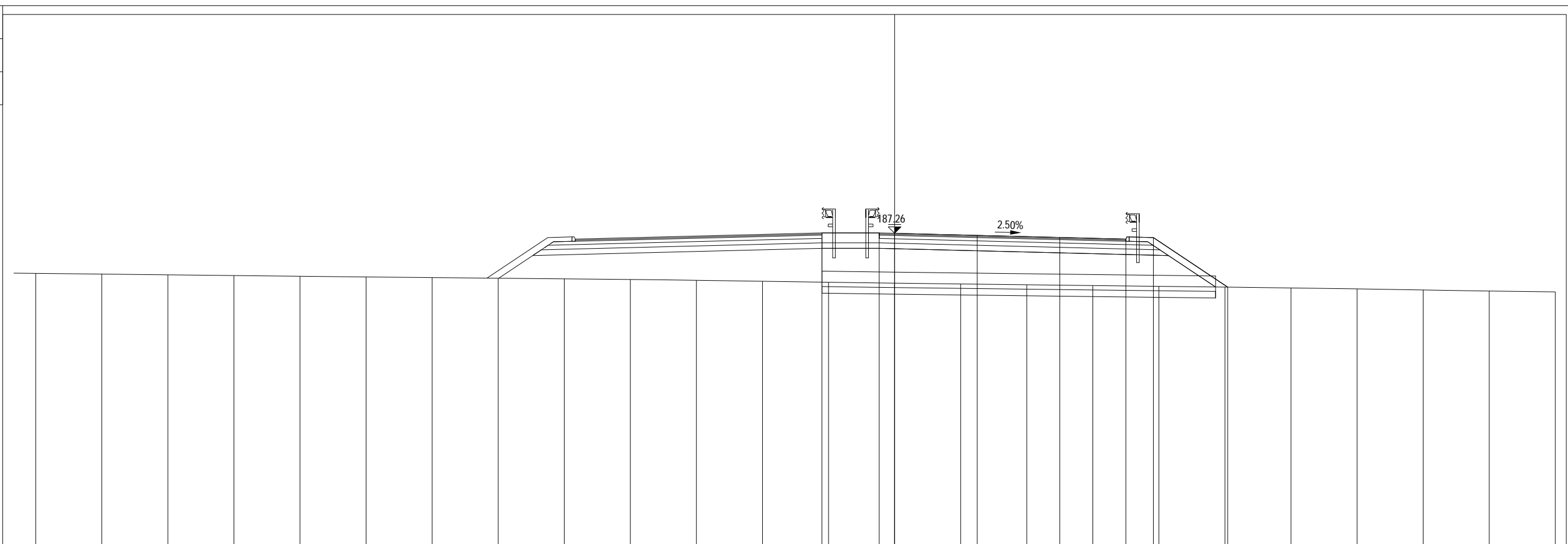
200

PROFILO 2.6a\_CUNEO

SEZIONE 11

PROGRESSIVA 229.87

A RILEVATO	m <sup>2</sup>	25.16
AN ANTICAPILLARE	m <sup>2</sup>	8.95
C BINDER	m <sup>2</sup>	0.56
D BASE	m <sup>2</sup>	1.86
MC MISTO CEMENTATO	m <sup>2</sup>	3.70
MS MISTO STABILIZZATO	m <sup>2</sup>	3.90
VR VEGETALE RIL	m <sup>2</sup>	1.39
a USURA	m	11.20
br BONIFICA	m	17.92
sc SCOTICO	m	17.92
tn TNT	m	17.92



PROGRESSIVE TERRENO

-39.00	-36.00	-33.00	-30.00	-27.00	-24.00	-21.00	-18.00	-15.00	-12.00	-9.00	-6.00	-3.00	0.00	3.00	6.00	9.00	12.00	15.00	18.00	21.00	24.00	27.00	30.00
--------	--------	--------	--------	--------	--------	--------	--------	--------	--------	-------	-------	-------	------	------	------	------	-------	-------	-------	-------	-------	-------	-------

PARZIALI TERRENO

3.00	3.00	3.00	3.00	3.00	3.00	3.00	3.00	3.00	3.00	3.00	3.00	3.00	3.00	3.00	3.00	3.00	3.00	3.00	3.00	3.00	3.00	3.00	3.00
------	------	------	------	------	------	------	------	------	------	------	------	------	------	------	------	------	------	------	------	------	------	------	------

QUOTE TERRENO

185.44	185.41	185.38	185.34	185.31	185.28	185.25	185.22	185.19	185.16	185.13	185.08	185.04	185.00	184.96	184.92	184.89	184.85	184.82	184.78	184.74	184.69	184.64	184.60
--------	--------	--------	--------	--------	--------	--------	--------	--------	--------	--------	--------	--------	--------	--------	--------	--------	--------	--------	--------	--------	--------	--------	--------

PROGRESSIVE PROGETTO

												-3.30	-0.70	0.00	3.75	7.50	10.50	11.75	15.12				
--	--	--	--	--	--	--	--	--	--	--	--	-------	-------	------	------	------	-------	-------	-------	--	--	--	--

PARZIALI PROGETTO

												2.60	0.70	3.75	3.75	3.00	1.25	3.37					
--	--	--	--	--	--	--	--	--	--	--	--	------	------	------	------	------	------	------	--	--	--	--	--

QUOTE PROGETTO

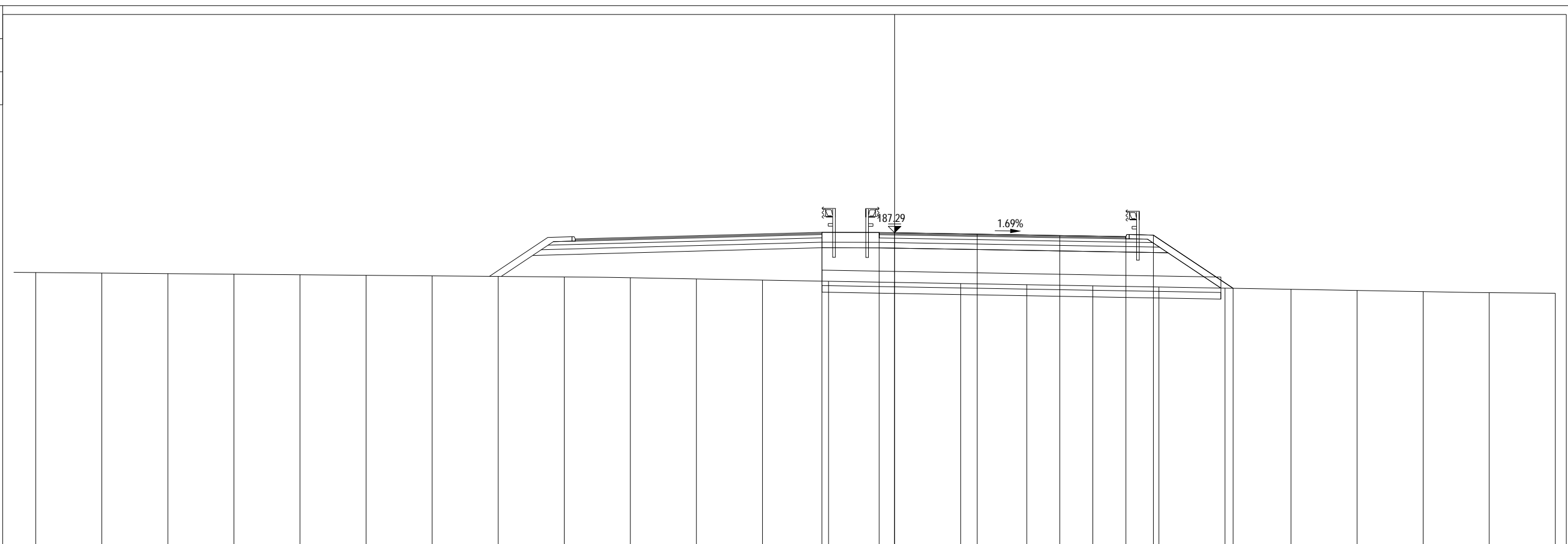
												187.28	187.28	187.26	187.17	187.07	187.00	187.07	184.82				
--	--	--	--	--	--	--	--	--	--	--	--	--------	--------	--------	--------	--------	--------	--------	--------	--	--	--	--

PROFILO 2.6a\_CUNEO

SEZIONE 12

PROGRESSIVA 254.87

A RILEVATO	m <sup>2</sup>	26.35
AN ANTICAPILLARE	m <sup>2</sup>	9.07
C BINDER	m <sup>2</sup>	0.56
D BASE	m <sup>2</sup>	1.85
MC MISTO CEMENTATO	m <sup>2</sup>	3.70
MS MISTO STABILIZZATO	m <sup>2</sup>	3.89
VR VEGETALE RIL	m <sup>2</sup>	1.45
a USURA	m	11.20
br BONIFICA	m	18.16
sc SCOTICO	m	18.16
tn TNT	m	18.16



PROGRESSIVE TERRENO

-39.00	-36.00	-33.00	-30.00	-27.00	-24.00	-21.00	-18.00	-15.00	-12.00	-9.00	-6.00	-3.00	0.00	3.00	6.00	9.00	12.00	15.00	18.00	21.00	24.00	27.00	30.00
--------	--------	--------	--------	--------	--------	--------	--------	--------	--------	-------	-------	-------	------	------	------	------	-------	-------	-------	-------	-------	-------	-------

PARZIALI TERRENO

3.00	3.00	3.00	3.00	3.00	3.00	3.00	3.00	3.00	3.00	3.00	3.00	3.00	3.00	3.00	3.00	3.00	3.00	3.00	3.00	3.00	3.00	3.00	3.00
------	------	------	------	------	------	------	------	------	------	------	------	------	------	------	------	------	------	------	------	------	------	------	------

QUOTE TERRENO

185.48	185.46	185.43	185.41	185.38	185.35	185.33	185.30	185.28	185.24	185.19	185.14	185.08	185.03	184.98	184.93	184.88	184.82	184.77	184.72	184.67	184.61	184.57	184.54
--------	--------	--------	--------	--------	--------	--------	--------	--------	--------	--------	--------	--------	--------	--------	--------	--------	--------	--------	--------	--------	--------	--------	--------

PROGRESSIVE PROGETTO

												-3.30	-0.70	0.00	3.75	7.50	10.50	11.75	15.37				
--	--	--	--	--	--	--	--	--	--	--	--	-------	-------	------	------	------	-------	-------	-------	--	--	--	--

PARZIALI PROGETTO

												2.60	0.70	3.75	3.75	3.00	1.25	3.62					
--	--	--	--	--	--	--	--	--	--	--	--	------	------	------	------	------	------	------	--	--	--	--	--

QUOTE PROGETTO

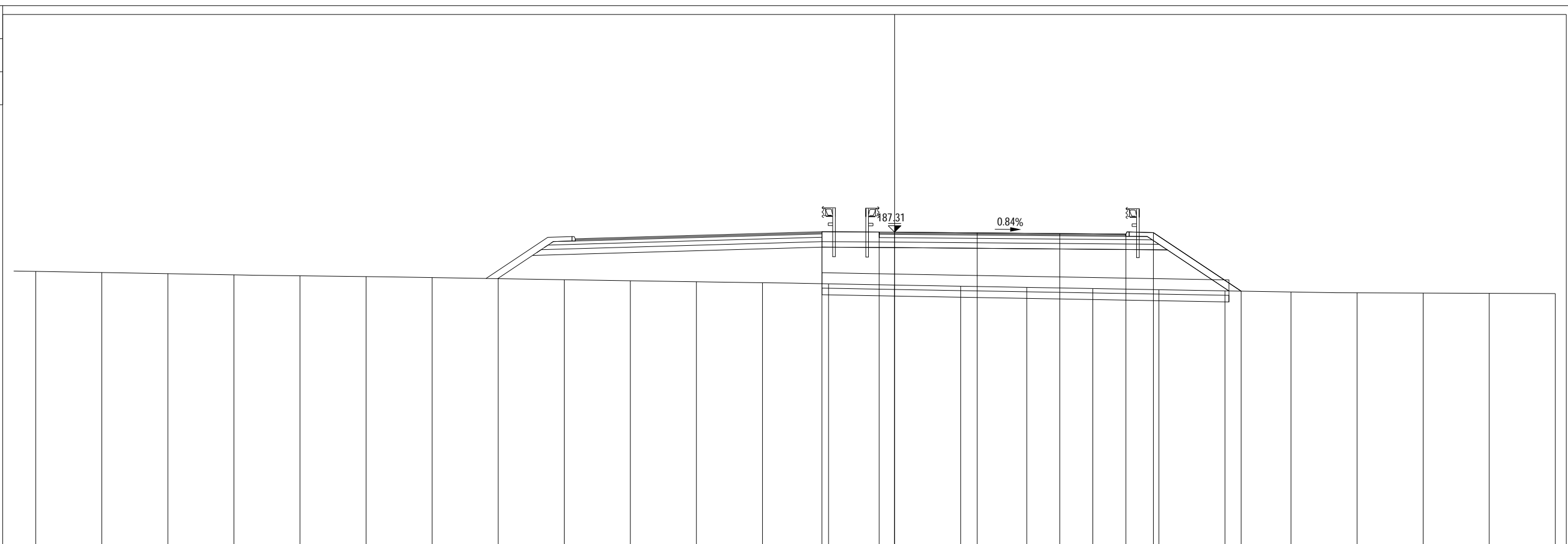
												187.31	187.30	187.29	187.22	187.16	187.11	187.18	184.76				
--	--	--	--	--	--	--	--	--	--	--	--	--------	--------	--------	--------	--------	--------	--------	--------	--	--	--	--

PROFILO 2.6a\_CUNEO

SEZIONE 13

PROGRESSIVA 279.89

A RILEVATO	m <sup>2</sup>	29.95
AN ANTICAPILLARE	m <sup>2</sup>	9.29
C BINDER	m <sup>2</sup>	0.56
D BASE	m <sup>2</sup>	1.85
MC MISTO CEMENTATO	m <sup>2</sup>	3.69
MS MISTO STABILIZZATO	m <sup>2</sup>	3.89
VR VEGETALE RIL	m <sup>2</sup>	1.57
a USURA	m	11.20
br BONIFICA	m	18.53
sc SCOTICO	m	18.53
tn TNT	m	18.53



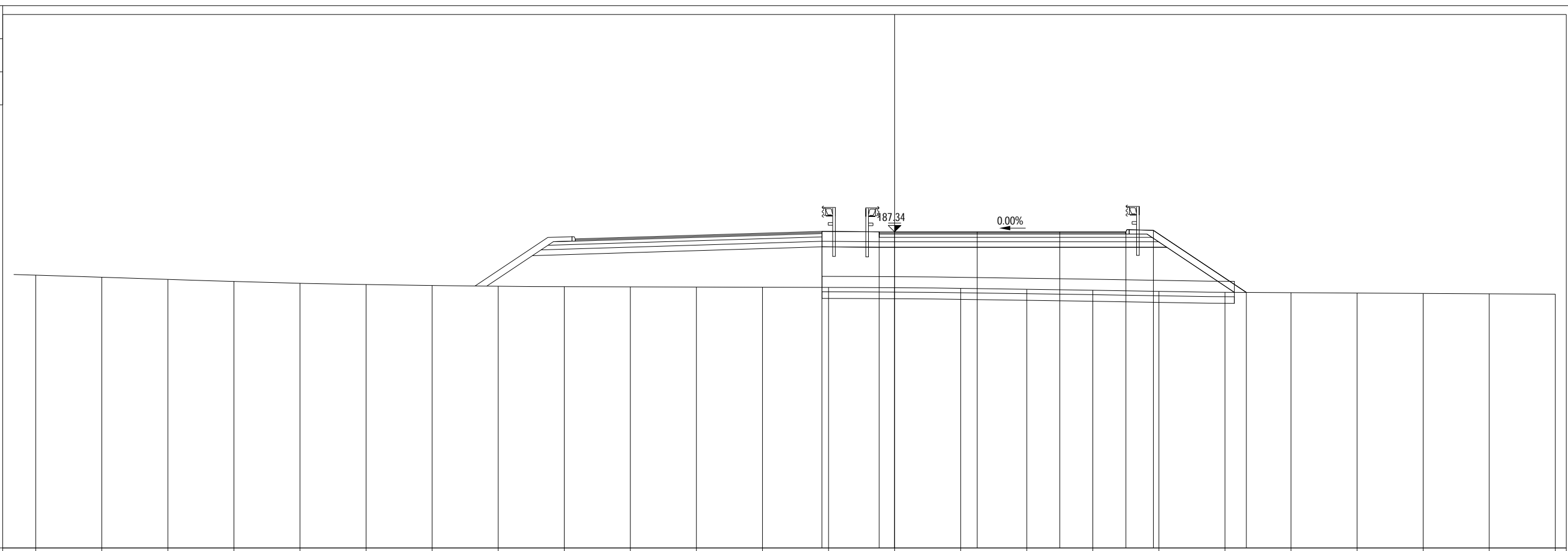
PROGRESSIVE TERRENO	-39.00	-36.00	-33.00	-30.00	-27.00	-24.00	-21.00	-18.00	-15.00	-12.00	-9.00	-6.00	-3.00	0.00	3.00	6.00	9.00	12.00	15.00	18.00	21.00	24.00	27.00	30.00	
PARZIALI TERRENO		3.00	3.00	3.00	3.00	3.00	3.00	3.00	3.00	3.00	3.00	3.00	3.00	3.00	3.00	3.00	3.00	3.00	3.00	3.00	3.00	3.00	3.00	3.00	
QUOTE TERRENO	185.53	185.48	185.43	185.38	185.33	185.30	185.25	185.20	185.15	185.11	185.06	185.02	184.97	184.91	184.86	184.81	184.75	184.70	184.65	184.60	184.56	184.55	184.54	184.52	
PROGRESSIVE PROGETTO													-3.30	-0.70	0.00	3.75	7.50	10.50	11.75	15.74					
PARZIALI PROGETTO													2.60	0.70	3.75	3.75	3.00	1.25	3.99						
QUOTE PROGETTO													187.33	187.32	187.31	187.28	187.25	187.22	187.29	184.63					

PROFILO 2.6a\_CUNEO

SEZIONE 14

PROGRESSIVA 304.91

- A RILEVATO m<sup>2</sup> 32.85
- AN ANTICAPILLARE m<sup>2</sup> 9.37
- C BINDER m<sup>2</sup> 0.56
- D BASE m<sup>2</sup> 1.86
- MC MISTO CEMENTATO m<sup>2</sup> 3.69
- MS MISTO STABILIZZATO m<sup>2</sup> 3.88
- VR VEGETALE RIL m<sup>2</sup> 1.65
- a USURA m 11.20
- br BONIFICA m 18.77
- sc SCOTICO m 18.77
- tn TNT m 18.77



PROGRESSIVE TERRENO

-39.00	-36.00	-33.00	-30.00	-27.00	-24.00	-21.00	-18.00	-15.00	-12.00	-9.00	-6.00	-3.00	0.00	3.00	6.00	9.00	12.00	15.00	18.00	21.00	24.00	27.00	30.00
--------	--------	--------	--------	--------	--------	--------	--------	--------	--------	-------	-------	-------	------	------	------	------	-------	-------	-------	-------	-------	-------	-------

PARZIALI TERRENO

3.00	3.00	3.00	3.00	3.00	3.00	3.00	3.00	3.00	3.00	3.00	3.00	3.00	3.00	3.00	3.00	3.00	3.00	3.00	3.00	3.00	3.00	3.00	3.00
------	------	------	------	------	------	------	------	------	------	------	------	------	------	------	------	------	------	------	------	------	------	------	------

QUOTE TERRENO

185.37	185.28	185.18	185.09	185.01	184.95	184.91	184.87	184.85	184.84	184.84	184.83	184.82	184.80	184.78	184.73	184.69	184.64	184.60	184.58	184.56	184.55	184.53	184.51
--------	--------	--------	--------	--------	--------	--------	--------	--------	--------	--------	--------	--------	--------	--------	--------	--------	--------	--------	--------	--------	--------	--------	--------

PROGRESSIVE PROGETTO

												-3.30	-0.70	0.00	3.75	7.50	10.50	11.75	15.97				
--	--	--	--	--	--	--	--	--	--	--	--	-------	-------	------	------	------	-------	-------	-------	--	--	--	--

PARZIALI PROGETTO

												2.60	0.70	3.75	3.75	3.00	1.25	4.22					
--	--	--	--	--	--	--	--	--	--	--	--	------	------	------	------	------	------	------	--	--	--	--	--

QUOTE PROGETTO

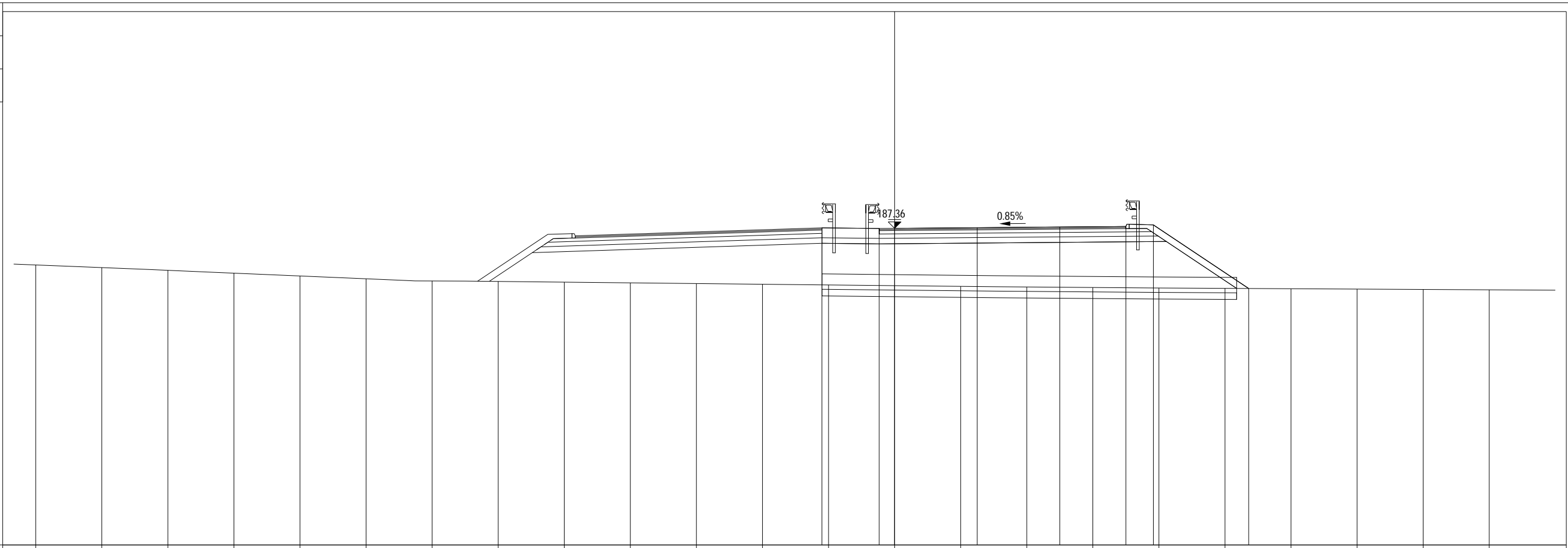
												187.36	187.34	187.34	187.34	187.34	187.34	187.41	184.59				
--	--	--	--	--	--	--	--	--	--	--	--	--------	--------	--------	--------	--------	--------	--------	--------	--	--	--	--

PROFILO 2.6a\_CUNEO

SEZIONE 15

PROGRESSIVA 329.93

A RILEVATO	m <sup>2</sup>	34.47
AN ANTICAPILLARE	m <sup>2</sup>	9.44
C BINDER	m <sup>2</sup>	0.56
D BASE	m <sup>2</sup>	1.84
MC MISTO CEMENTATO	m <sup>2</sup>	3.67
MS MISTO STABILIZZATO	m <sup>2</sup>	3.88
VR VEGETALE RIL	m <sup>2</sup>	1.72
a USURA	m	11.20
br BONIFICA	m	18.88
sc SCOTICO	m	18.88
tn TNT	m	18.88



173  
200

PROGRESSIVE TERRENO	-39.00	-36.00	-33.00	-30.00	-27.00	-24.00	-21.00	-18.00	-15.00	-12.00	-9.00	-6.00	-3.00	0.00	3.00	6.00	9.00	12.00	15.00	18.00	21.00	24.00	27.00
PARZIALI TERRENO		3.00	3.00	3.00	3.00	3.00	3.00	3.00	3.00	3.00	3.00	3.00	3.00	3.00	3.00	3.00	3.00	3.00	3.00	3.00	3.00	3.00	3.00
QUOTE TERRENO	185.70	185.58	185.46	185.33	185.20	185.08	184.96	184.96	184.92	184.89	184.86	184.83	184.80	184.76	184.73	184.70	184.68	184.66	184.64	184.63	184.61	184.59	184.58
PROGRESSIVE PROGETTO													-3.30	-0.70	0.00	3.75	7.50	10.50	11.75	16.08			
PARZIALI PROGETTO													2.60	0.70	3.75	3.75	3.00	1.25	4.33				
QUOTE PROGETTO													187.39	187.36	187.36	187.40	187.43	187.45	187.52	184.64			

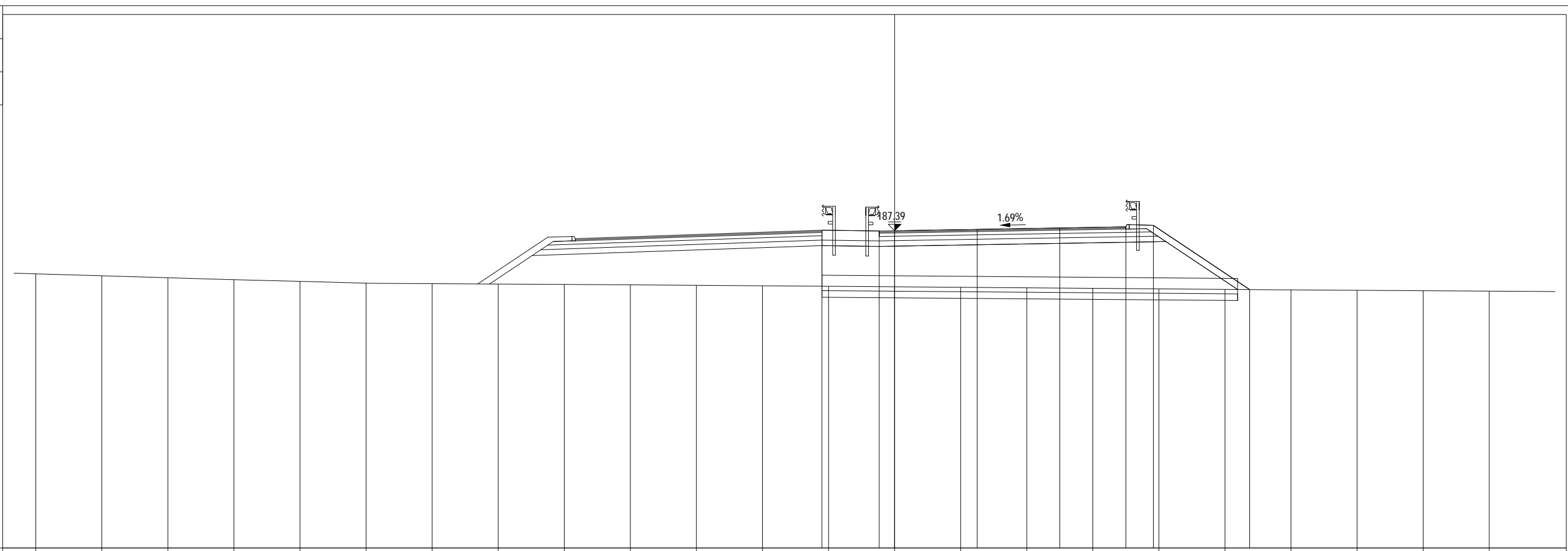


PROFILO 2.6a\_CUNEO

SEZIONE 16

PROGRESSIVA 354.97

A RILEVATO	m <sup>2</sup>	34.29
AN ANTICAPILLARE	m <sup>2</sup>	9.47
C BINDER	m <sup>2</sup>	0.56
D BASE	m <sup>2</sup>	1.84
MC MISTO CEMENTATO	m <sup>2</sup>	3.69
MS MISTO STABILIZZATO	m <sup>2</sup>	3.86
VR VEGETALE RIL	m <sup>2</sup>	1.70
a USURA	m	11.20
br BONIFICA	m	18.92
sc SCOTICO	m	18.92
tn TNT	m	18.92



PROGRESSIVE TERRENO

-39.00	-36.00	-33.00	-30.00	-27.00	-24.00	-21.00	-18.00	-15.00	-12.00	-9.00	-6.00	-3.00	0.00	3.00	6.00	9.00	12.00	15.00	18.00	21.00	24.00	27.00
--------	--------	--------	--------	--------	--------	--------	--------	--------	--------	-------	-------	-------	------	------	------	------	-------	-------	-------	-------	-------	-------

PARZIALI TERRENO

3.00	3.00	3.00	3.00	3.00	3.00	3.00	3.00	3.00	3.00	3.00	3.00	3.00	3.00	3.00	3.00	3.00	3.00	3.00	3.00	3.00	3.00	3.00
------	------	------	------	------	------	------	------	------	------	------	------	------	------	------	------	------	------	------	------	------	------	------

QUOTE TERRENO

185.43	185.35	185.26	185.17	185.09	185.01	184.99	184.97	184.95	184.94	184.91	184.89	184.87	184.85	184.82	184.80	184.78	184.75	184.73	184.71	184.69	184.67	184.65
--------	--------	--------	--------	--------	--------	--------	--------	--------	--------	--------	--------	--------	--------	--------	--------	--------	--------	--------	--------	--------	--------	--------

PROGRESSIVE PROGETTO

												-3.30	-0.70	0.00	3.75	7.50	10.50	11.75		16.12		
--	--	--	--	--	--	--	--	--	--	--	--	-------	-------	------	------	------	-------	-------	--	-------	--	--

PARZIALI PROGETTO

												2.60	0.70	3.75	3.75	3.00	1.25	4.37				
--	--	--	--	--	--	--	--	--	--	--	--	------	------	------	------	------	------	------	--	--	--	--

QUOTE PROGETTO

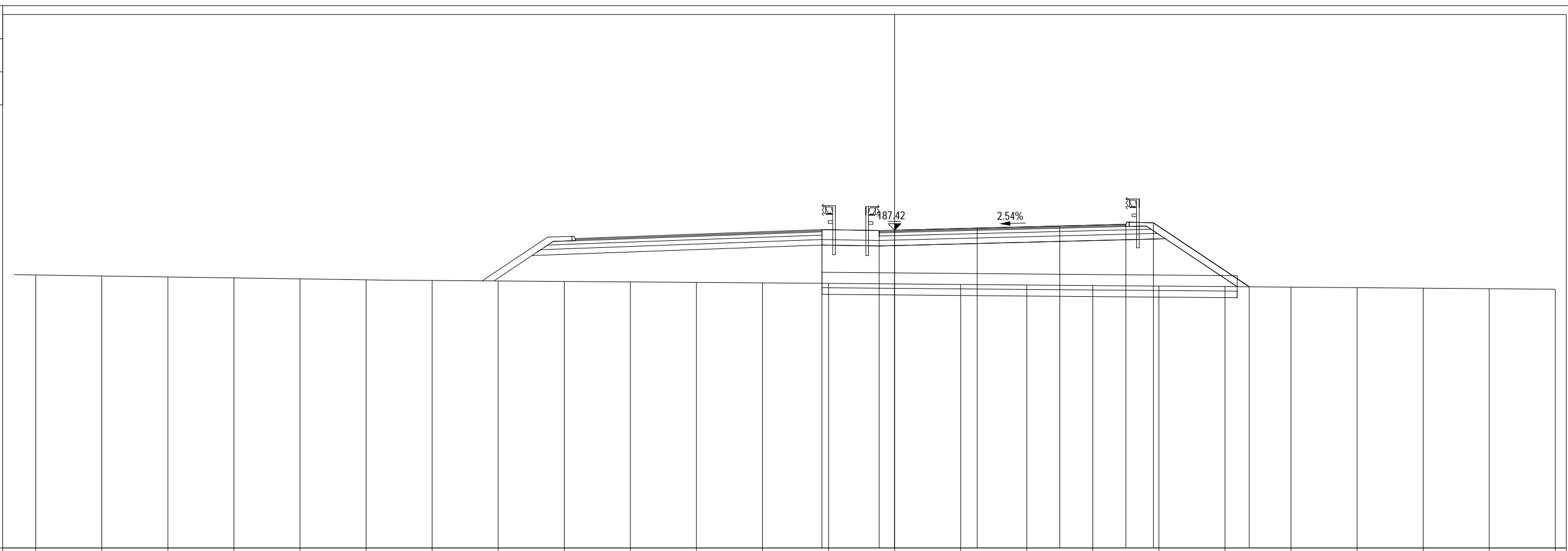
												187.41	187.38	187.39	187.45	187.52	187.57	187.63		184.72		
--	--	--	--	--	--	--	--	--	--	--	--	--------	--------	--------	--------	--------	--------	--------	--	--------	--	--

PROFILO 2.6a\_CUNEO

SEZIONE 17

PROGRESSIVA 380.01

A RILEVATO	m <sup>2</sup>	33.18
AN ANTICAPILLARE	m <sup>2</sup>	9.45
C BINDER	m <sup>2</sup>	0.56
D BASE	m <sup>2</sup>	1.84
MC MISTO CEMENTATO	m <sup>2</sup>	3.68
MS MISTO STABILIZZATO	m <sup>2</sup>	3.86
VR VEGETALE RIL	m <sup>2</sup>	1.71
a USURA	m	11.20
br BONIFICA	m	18.90
sc SCOTICO	m	18.90
tn TNT	m	18.90



PROGRESSIVE TERRENO

-39.00	-36.00	-33.00	-30.00	-27.00	-24.00	-21.00	-18.00	-15.00	-12.00	-9.00	-6.00	-3.00	0.00	3.00	6.00	9.00	12.00	15.00	18.00	21.00	24.00	27.00	30.00
--------	--------	--------	--------	--------	--------	--------	--------	--------	--------	-------	-------	-------	------	------	------	------	-------	-------	-------	-------	-------	-------	-------

PARZIALI TERRENO

3.00	3.00	3.00	3.00	3.00	3.00	3.00	3.00	3.00	3.00	3.00	3.00	3.00	3.00	3.00	3.00	3.00	3.00	3.00	3.00	3.00	3.00	3.00	3.00
------	------	------	------	------	------	------	------	------	------	------	------	------	------	------	------	------	------	------	------	------	------	------	------

QUOTE TERRENO

185.38	185.34	185.29	185.25	185.21	185.16	185.13	185.11	185.09	185.07	185.05	185.02	185.00	184.98	184.95	184.93	184.90	184.88	184.86	184.83	184.81	184.78	184.76	184.73
--------	--------	--------	--------	--------	--------	--------	--------	--------	--------	--------	--------	--------	--------	--------	--------	--------	--------	--------	--------	--------	--------	--------	--------

PROGRESSIVE PROGETTO

												-3.30	-0.70	0.00	3.75	7.50	10.50	11.75	16.10				
--	--	--	--	--	--	--	--	--	--	--	--	-------	-------	------	------	------	-------	-------	-------	--	--	--	--

PARZIALI PROGETTO

												2.60	0.70	3.75	3.75	3.00	1.25	4.35					
--	--	--	--	--	--	--	--	--	--	--	--	------	------	------	------	------	------	------	--	--	--	--	--

QUOTE PROGETTO

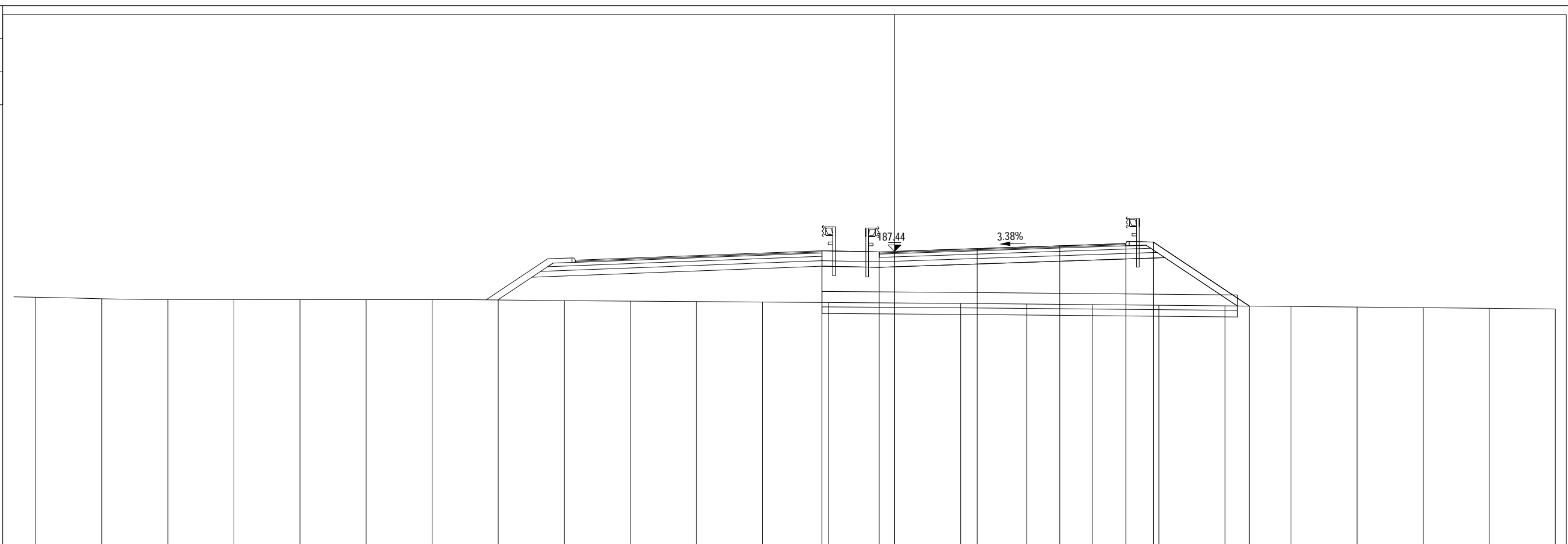
												187.44	187.40	187.42	187.51	187.61	187.68	187.75	184.85				
--	--	--	--	--	--	--	--	--	--	--	--	--------	--------	--------	--------	--------	--------	--------	--------	--	--	--	--

PROFILO 2.6a\_CUNEO

SEZIONE 18

PROGRESSIVA 405.06

A RILEVATO	m <sup>2</sup>	32.42
AN ANTICAPILLARE	m <sup>2</sup>	9.45
C BINDER	m <sup>2</sup>	0.56
D BASE	m <sup>2</sup>	1.83
MC MISTO CEMENTATO	m <sup>2</sup>	3.67
MS MISTO STABILIZZATO	m <sup>2</sup>	3.86
VR VEGETALE RIL	m <sup>2</sup>	1.70
a USURA	m	11.21
br BONIFICA	m	18.91
sc SCOTICO	m	18.91
tn TNT	m	18.91



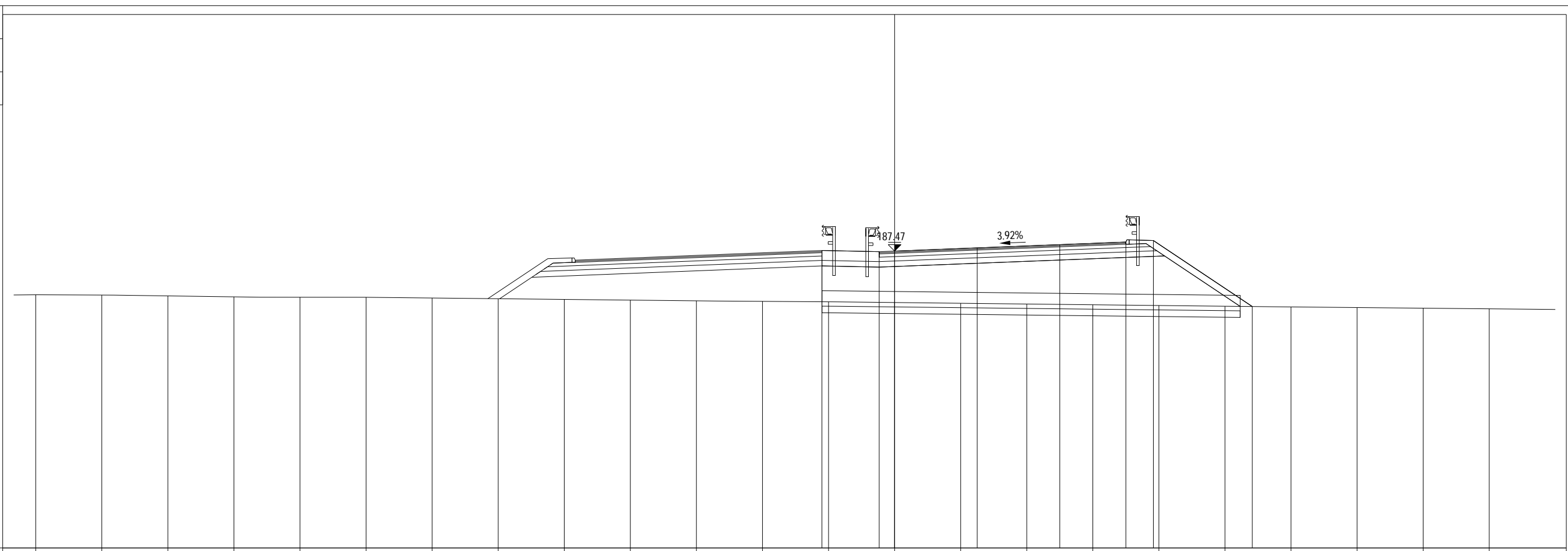
PROGRESSIVE TERRENO	-39.00	-36.00	-33.00	-30.00	-27.00	-24.00	-21.00	-18.00	-15.00	-12.00	-9.00	-6.00	-3.00	0.00	3.00	6.00	9.00	12.00	15.00	18.00	21.00	24.00	27.00	30.00
PARZIALI TERRENO		3.00	3.00	3.00	3.00	3.00	3.00	3.00	3.00	3.00	3.00	3.00	3.00	3.00	3.00	3.00	3.00	3.00	3.00	3.00	3.00	3.00	3.00	3.00
QUOTE TERRENO	185.36	185.29	185.26	185.26	185.25	185.25	185.25	185.23	185.20	185.18	185.16	185.14	185.12	185.10	185.08	185.05	185.02	185.00	184.97	184.94	184.91	184.88	184.86	184.83
PROGRESSIVE PROGETTO													-3.30	-0.70	0.00	3.75	7.50	10.50	11.75	16.11				
PARZIALI PROGETTO													2.60	0.70	3.75	3.75	3.00	1.25	4.36					
QUOTE PROGETTO													187.47	187.42	187.44	187.57	187.69	187.80	187.86	184.96				

PROFILO 2.6a\_CUNEO

SEZIONE 19

PROGRESSIVA 430.12

A RILEVATO	m <sup>2</sup>	33.16
AN ANTICAPILLARE	m <sup>2</sup>	9.53
C BINDER	m <sup>2</sup>	0.56
D BASE	m <sup>2</sup>	1.84
MC MISTO CEMENTATO	m <sup>2</sup>	3.67
MS MISTO STABILIZZATO	m <sup>2</sup>	3.85
VR VEGETALE RIL	m <sup>2</sup>	1.72
a USURA	m	11.21
br BONIFICA	m	19.04
sc SCOTICO	m	19.04
tn TNT	m	19.04



PROGRESSIVE TERRENO

-39.00	-36.00	-33.00	-30.00	-27.00	-24.00	-21.00	-18.00	-15.00	-12.00	-9.00	-6.00	-3.00	0.00	3.00	6.00	9.00	12.00	15.00	18.00	21.00	24.00	27.00
--------	--------	--------	--------	--------	--------	--------	--------	--------	--------	-------	-------	-------	------	------	------	------	-------	-------	-------	-------	-------	-------

PARZIALI TERRENO

3.00	3.00	3.00	3.00	3.00	3.00	3.00	3.00	3.00	3.00	3.00	3.00	3.00	3.00	3.00	3.00	3.00	3.00	3.00	3.00	3.00	3.00	3.00
------	------	------	------	------	------	------	------	------	------	------	------	------	------	------	------	------	------	------	------	------	------	------

QUOTE TERRENO

185.48	185.47	185.43	185.39	185.37	185.37	185.34	185.31	185.27	185.24	185.21	185.19	185.17	185.13	185.10	185.07	185.03	185.00	184.97	184.93	184.91	184.88	184.85
--------	--------	--------	--------	--------	--------	--------	--------	--------	--------	--------	--------	--------	--------	--------	--------	--------	--------	--------	--------	--------	--------	--------

PROGRESSIVE PROGETTO

												-3.30	-0.70	0.00	3.75	7.50	10.50	11.75		16.24		
--	--	--	--	--	--	--	--	--	--	--	--	-------	-------	------	------	------	-------	-------	--	-------	--	--

PARZIALI PROGETTO

												2.60	0.70	3.75	3.75	3.00	1.25	4.49				
--	--	--	--	--	--	--	--	--	--	--	--	------	------	------	------	------	------	------	--	--	--	--

QUOTE PROGETTO

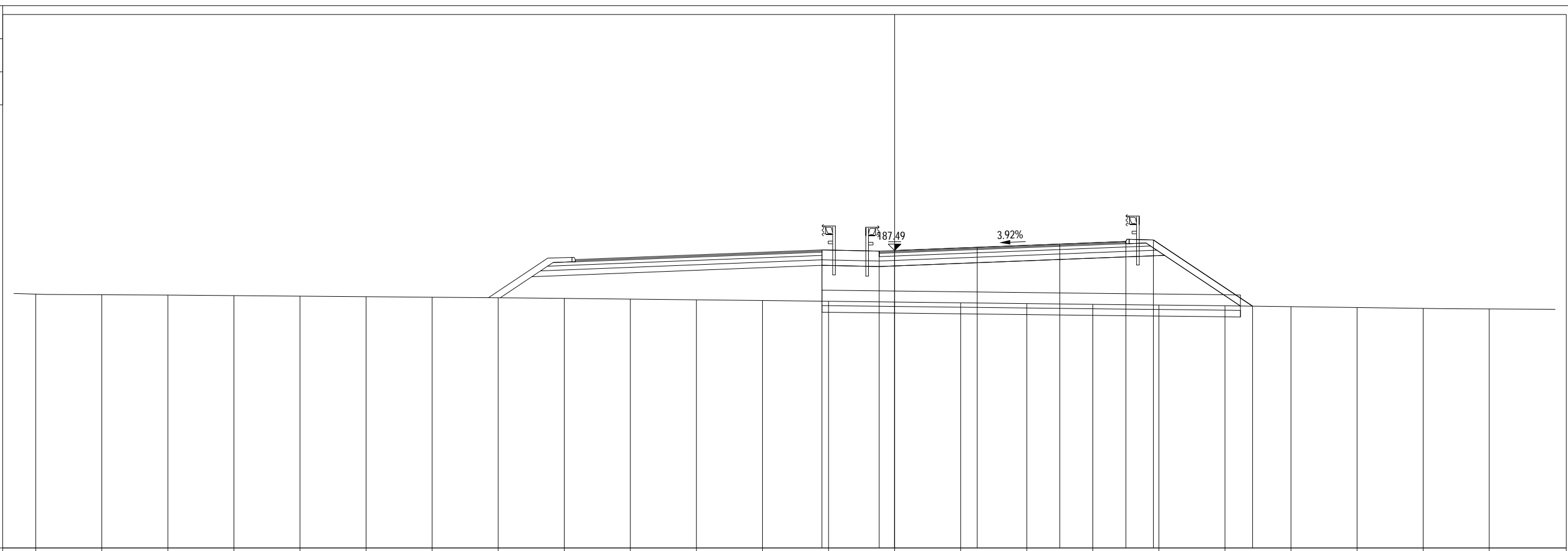
												187.49	187.44	187.47	187.61	187.76	187.88	187.95		184.95		
--	--	--	--	--	--	--	--	--	--	--	--	--------	--------	--------	--------	--------	--------	--------	--	--------	--	--

PROFILO 2.6a\_CUNEO

SEZIONE 20

PROGRESSIVA 455.18

A RILEVATO	m <sup>2</sup>	33.12
AN ANTICAPILLARE	m <sup>2</sup>	9.52
C BINDER	m <sup>2</sup>	0.56
D BASE	m <sup>2</sup>	1.83
MC MISTO CEMENTATO	m <sup>2</sup>	3.67
MS MISTO STABILIZZATO	m <sup>2</sup>	3.87
VR VEGETALE RIL	m <sup>2</sup>	1.76
a USURA	m	11.21
br BONIFICA	m	19.05
sc SCOTICO	m	19.05
tn TNT	m	19.05



PROGRESSIVE TERRENO

-39.00	-36.00	-33.00	-30.00	-27.00	-24.00	-21.00	-18.00	-15.00	-12.00	-9.00	-6.00	-3.00	0.00	3.00	6.00	9.00	12.00	15.00	18.00	21.00	24.00	27.00
--------	--------	--------	--------	--------	--------	--------	--------	--------	--------	-------	-------	-------	------	------	------	------	-------	-------	-------	-------	-------	-------

PARZIALI TERRENO

3.00	3.00	3.00	3.00	3.00	3.00	3.00	3.00	3.00	3.00	3.00	3.00	3.00	3.00	3.00	3.00	3.00	3.00	3.00	3.00	3.00	3.00	3.00
------	------	------	------	------	------	------	------	------	------	------	------	------	------	------	------	------	------	------	------	------	------	------

QUOTE TERRENO

185.51	185.49	185.47	185.45	185.42	185.40	185.37	185.35	185.32	185.29	185.26	185.22	185.19	185.16	185.12	185.09	185.05	185.02	184.99	184.95	184.91	184.87	184.84
--------	--------	--------	--------	--------	--------	--------	--------	--------	--------	--------	--------	--------	--------	--------	--------	--------	--------	--------	--------	--------	--------	--------

PROGRESSIVE PROGETTO

												-3.30	-0.70	0.00	3.75	7.50	10.50	11.75		16.25		
--	--	--	--	--	--	--	--	--	--	--	--	-------	-------	------	------	------	-------	-------	--	-------	--	--

PARZIALI PROGETTO

												2.60	0.70	3.75	3.75	3.00	1.25	4.50				
--	--	--	--	--	--	--	--	--	--	--	--	------	------	------	------	------	------	------	--	--	--	--

QUOTE PROGETTO

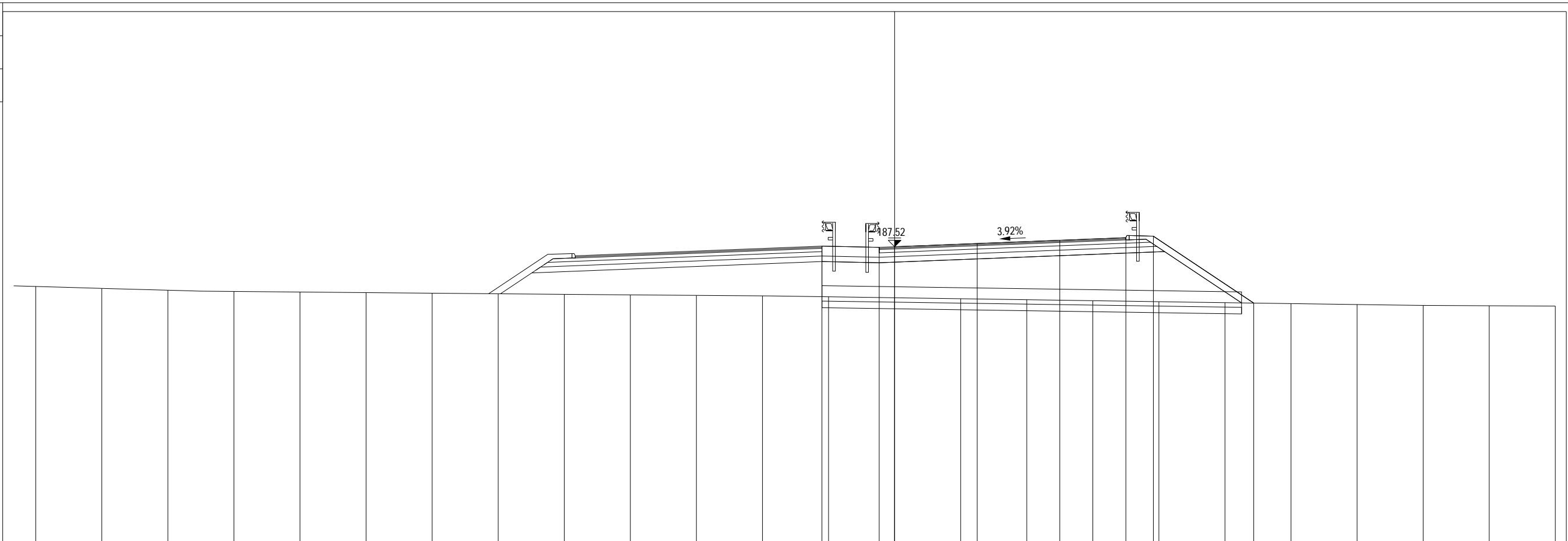
												187.52	187.46	187.49	187.64	187.79	187.90	187.97		184.97		
--	--	--	--	--	--	--	--	--	--	--	--	--------	--------	--------	--------	--------	--------	--------	--	--------	--	--

PROFILO 2.6a\_CUNEO

SEZIONE 21

PROGRESSIVA 480.25

A RILEVATO	m <sup>2</sup>	33.21
AN ANTICAPILLARE	m <sup>2</sup>	9.54
C BINDER	m <sup>2</sup>	0.56
D BASE	m <sup>2</sup>	1.82
MC MISTO CEMENTATO	m <sup>2</sup>	3.67
MS MISTO STABILIZZATO	m <sup>2</sup>	3.86
VR VEGETALE RIL	m <sup>2</sup>	1.75
a USURA	m	11.21
br BONIFICA	m	19.10
sc SCOTICO	m	19.10
tn TNT	m	19.10



PROGRESSIVE TERRENO

-39.00	-36.00	-33.00	-30.00	-27.00	-24.00	-21.00	-18.00	-15.00	-12.00	-9.00	-6.00	-3.00	0.00	3.00	6.00	9.00	12.00	15.00	18.00	21.00	24.00	27.00	30.00
--------	--------	--------	--------	--------	--------	--------	--------	--------	--------	-------	-------	-------	------	------	------	------	-------	-------	-------	-------	-------	-------	-------

PARZIALI TERRENO

3.00	3.00	3.00	3.00	3.00	3.00	3.00	3.00	3.00	3.00	3.00	3.00	3.00	3.00	3.00	3.00	3.00	3.00	3.00	3.00	3.00	3.00	3.00	3.00
------	------	------	------	------	------	------	------	------	------	------	------	------	------	------	------	------	------	------	------	------	------	------	------

QUOTE TERRENO

185.71	185.63	185.54	185.49	185.46	185.43	185.41	185.38	185.36	185.33	185.31	185.29	185.24	185.20	185.16	185.11	185.07	185.02	184.98	184.94	184.89	184.85	184.84	184.82
--------	--------	--------	--------	--------	--------	--------	--------	--------	--------	--------	--------	--------	--------	--------	--------	--------	--------	--------	--------	--------	--------	--------	--------

PROGRESSIVE PROGETTO

												-3.30	-0.70	0.00									
--	--	--	--	--	--	--	--	--	--	--	--	-------	-------	------	--	--	--	--	--	--	--	--	--

PARZIALI PROGETTO

												2.60	0.70	3.75	3.75	3.00	1.25	4.56					
--	--	--	--	--	--	--	--	--	--	--	--	------	------	------	------	------	------	------	--	--	--	--	--

QUOTE PROGETTO

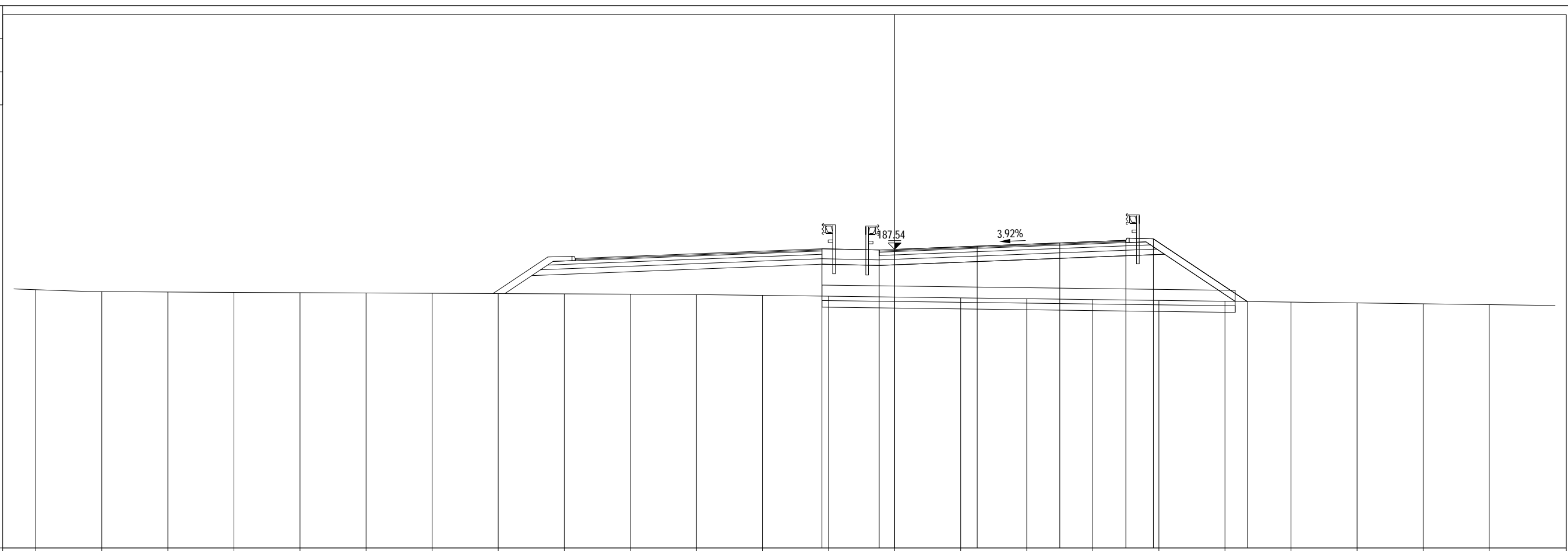
												187.55	187.49	187.52	187.66	187.81	187.93	188.00	184.96				
--	--	--	--	--	--	--	--	--	--	--	--	--------	--------	--------	--------	--------	--------	--------	--------	--	--	--	--

PROFILO 2.6a\_CUNEO

SEZIONE 22

PROGRESSIVA 505.31

A RILEVATO	m <sup>2</sup>	30.02
AN ANTICAPILLARE	m <sup>2</sup>	9.41
C BINDER	m <sup>2</sup>	0.56
D BASE	m <sup>2</sup>	1.83
MC MISTO CEMENTATO	m <sup>2</sup>	3.67
MS MISTO STABILIZZATO	m <sup>2</sup>	3.86
VR VEGETALE RIL	m <sup>2</sup>	1.67
a USURA	m	11.21
br BONIFICA	m	18.81
sc SCOTICO	m	18.81
tn TNT	m	18.81



174  
200

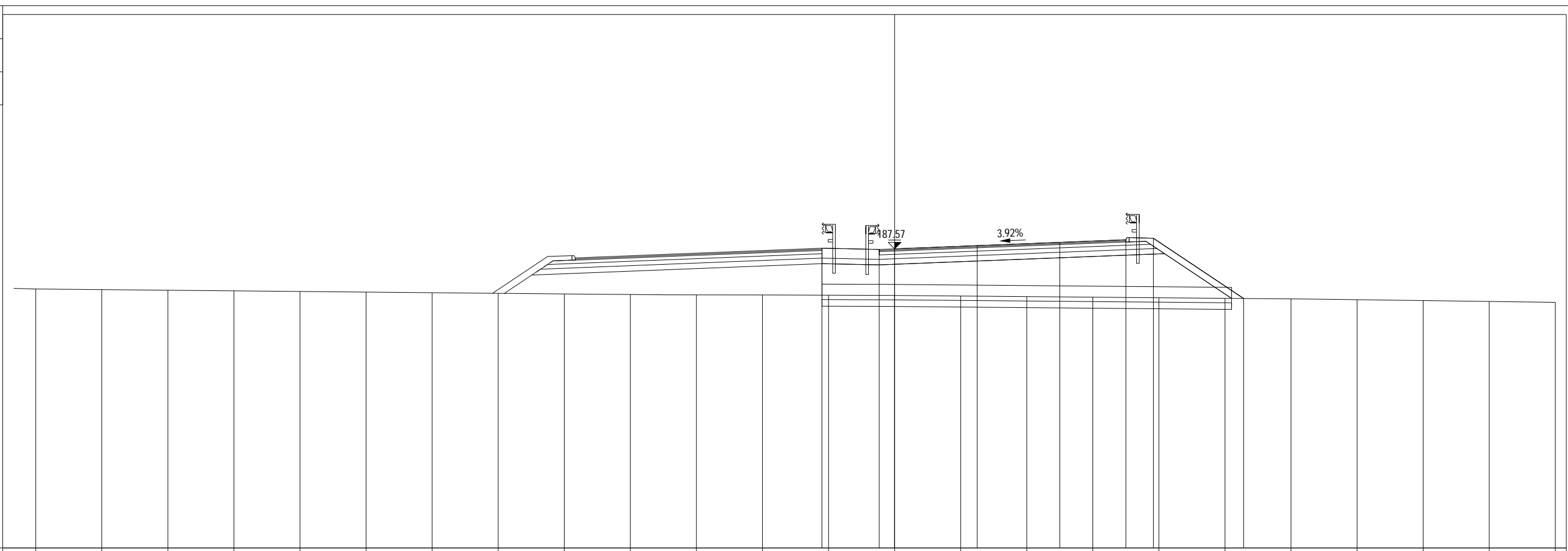
PROGRESSIVE TERRENO	-39.00	-36.00	-33.00	-30.00	-27.00	-24.00	-21.00	-18.00	-15.00	-12.00	-9.00	-6.00	-3.00	0.00	3.00	6.00	9.00	12.00	15.00	18.00	21.00	24.00	27.00
PARZIALI TERRENO		3.00	3.00	3.00	3.00	3.00	3.00	3.00	3.00	3.00	3.00	3.00	3.00	3.00	3.00	3.00	3.00	3.00	3.00	3.00	3.00	3.00	3.00
QUOTE TERRENO	185.72	185.63	185.61	185.59	185.58	185.57	185.55	185.54	185.53	185.51	185.49	185.46	185.42	185.38	185.34	185.31	185.27	185.23	185.19	185.15	185.11	185.08	185.04
PROGRESSIVE PROGETTO													-3.30	-0.70	0.00	3.75	7.50	10.50	11.75	16.02			
PARZIALI PROGETTO													2.60	0.70	3.75	3.75	3.00	1.25	4.27				
QUOTE PROGETTO													187.57	187.52	187.54	187.69	187.84	187.95	188.02	185.18			

PROFILO 2.6a\_CUNEO

SEZIONE 23

PROGRESSIVA 530.37

A RILEVATO	m <sup>2</sup>	28.68
AN ANTICAPILLARE	m <sup>2</sup>	9.33
C BINDER	m <sup>2</sup>	0.56
D BASE	m <sup>2</sup>	1.82
MC MISTO CEMENTATO	m <sup>2</sup>	3.68
MS MISTO STABILIZZATO	m <sup>2</sup>	3.85
VR VEGETALE RIL	m <sup>2</sup>	1.63
a USURA	m	11.21
br BONIFICA	m	18.65
sc SCOTICO	m	18.65
tn TNT	m	18.65



PROGRESSIVE TERRENO

-39.00	-36.00	-33.00	-30.00	-27.00	-24.00	-21.00	-18.00	-15.00	-12.00	-9.00	-6.00	-3.00	0.00	3.00	6.00	9.00	12.00	15.00	18.00	21.00	24.00	27.00	30.00
--------	--------	--------	--------	--------	--------	--------	--------	--------	--------	-------	-------	-------	------	------	------	------	-------	-------	-------	-------	-------	-------	-------

PARZIALI TERRENO

3.00	3.00	3.00	3.00	3.00	3.00	3.00	3.00	3.00	3.00	3.00	3.00	3.00	3.00	3.00	3.00	3.00	3.00	3.00	3.00	3.00	3.00	3.00	3.00
------	------	------	------	------	------	------	------	------	------	------	------	------	------	------	------	------	------	------	------	------	------	------	------

QUOTE TERRENO

185.75	185.72	185.69	185.66	185.63	185.61	185.58	185.55	185.52	185.50	185.48	185.48	185.47	185.45	185.43	185.40	185.38	185.35	185.32	185.30	185.26	185.22	185.18	185.14
--------	--------	--------	--------	--------	--------	--------	--------	--------	--------	--------	--------	--------	--------	--------	--------	--------	--------	--------	--------	--------	--------	--------	--------

PROGRESSIVE PROGETTO

												-3.30	-0.70	0.00		3.75	7.50	10.50	11.75		15.85		
--	--	--	--	--	--	--	--	--	--	--	--	-------	-------	------	--	------	------	-------	-------	--	-------	--	--

PARZIALI PROGETTO

												2.60	0.70	3.75	3.75	3.00	1.25	4.10					
--	--	--	--	--	--	--	--	--	--	--	--	------	------	------	------	------	------	------	--	--	--	--	--

QUOTE PROGETTO

												187.60	187.54	187.57		187.72	187.86	187.98	188.05		185.32		
--	--	--	--	--	--	--	--	--	--	--	--	--------	--------	--------	--	--------	--------	--------	--------	--	--------	--	--

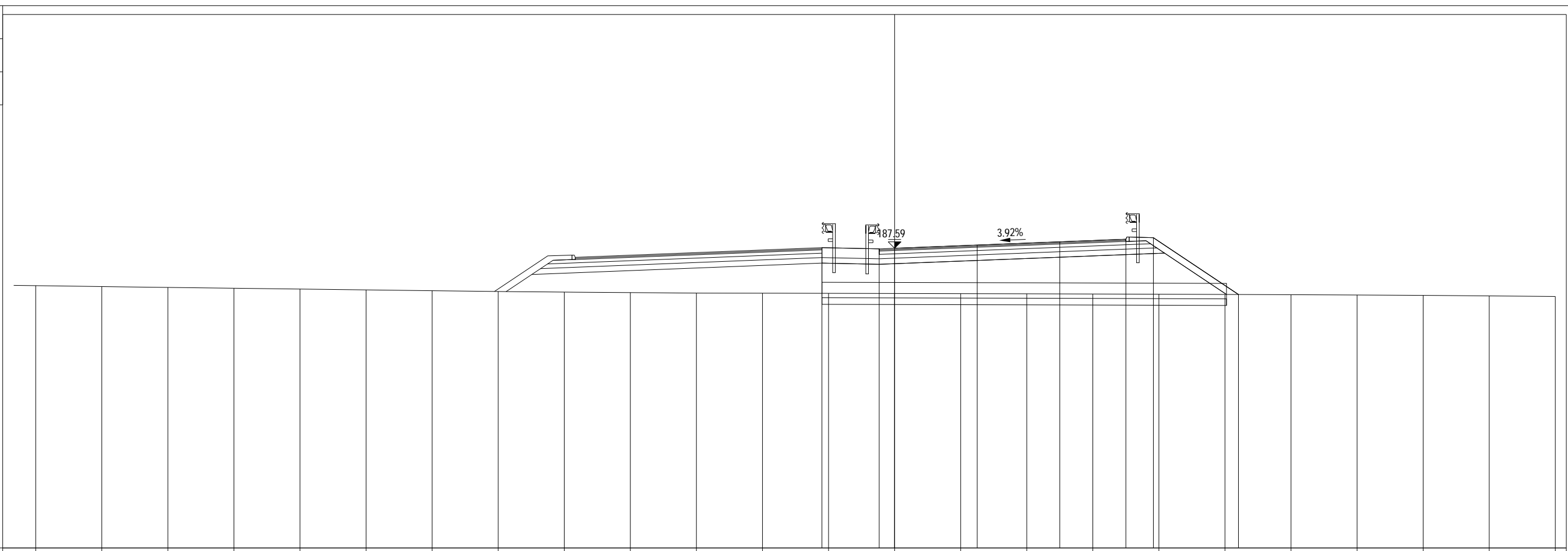


PROFILO 2.6a\_CUNEO

SEZIONE 24

PROGRESSIVA 555.43

A RILEVATO	m <sup>2</sup>	26.89
AN ANTICAPILLARE	m <sup>2</sup>	9.22
C BINDER	m <sup>2</sup>	0.56
D BASE	m <sup>2</sup>	1.84
MC MISTO CEMENTATO	m <sup>2</sup>	3.66
MS MISTO STABILIZZATO	m <sup>2</sup>	3.85
VR VEGETALE RIL	m <sup>2</sup>	1.51
a USURA	m	11.21
br BONIFICA	m	18.42
sc SCOTICO	m	18.42
tn TNT	m	18.42



PROGRESSIVE TERRENO

-39.00	-36.00	-33.00	-30.00	-27.00	-24.00	-21.00	-18.00	-15.00	-12.00	-9.00	-6.00	-3.00	0.00	3.00	6.00	9.00	12.00	15.00	18.00	21.00	24.00	27.00	30.00
--------	--------	--------	--------	--------	--------	--------	--------	--------	--------	-------	-------	-------	------	------	------	------	-------	-------	-------	-------	-------	-------	-------

PARZIALI TERRENO

3.00	3.00	3.00	3.00	3.00	3.00	3.00	3.00	3.00	3.00	3.00	3.00	3.00	3.00	3.00	3.00	3.00	3.00	3.00	3.00	3.00	3.00	3.00	3.00
------	------	------	------	------	------	------	------	------	------	------	------	------	------	------	------	------	------	------	------	------	------	------	------

QUOTE TERRENO

185.90	185.86	185.82	185.78	185.74	185.71	185.67	185.63	185.61	185.58	185.56	185.56	185.55	185.54	185.54	185.53	185.52	185.51	185.51	185.50	185.49	185.47	185.46	185.43	185.41
--------	--------	--------	--------	--------	--------	--------	--------	--------	--------	--------	--------	--------	--------	--------	--------	--------	--------	--------	--------	--------	--------	--------	--------	--------

PROGRESSIVE PROGETTO

												-3.30	-0.70	0.00										
--	--	--	--	--	--	--	--	--	--	--	--	-------	-------	------	--	--	--	--	--	--	--	--	--	--

PARZIALI PROGETTO

												2.60	0.70	3.75	3.75	3.00	1.25	3.86						
--	--	--	--	--	--	--	--	--	--	--	--	------	------	------	------	------	------	------	--	--	--	--	--	--

QUOTE PROGETTO

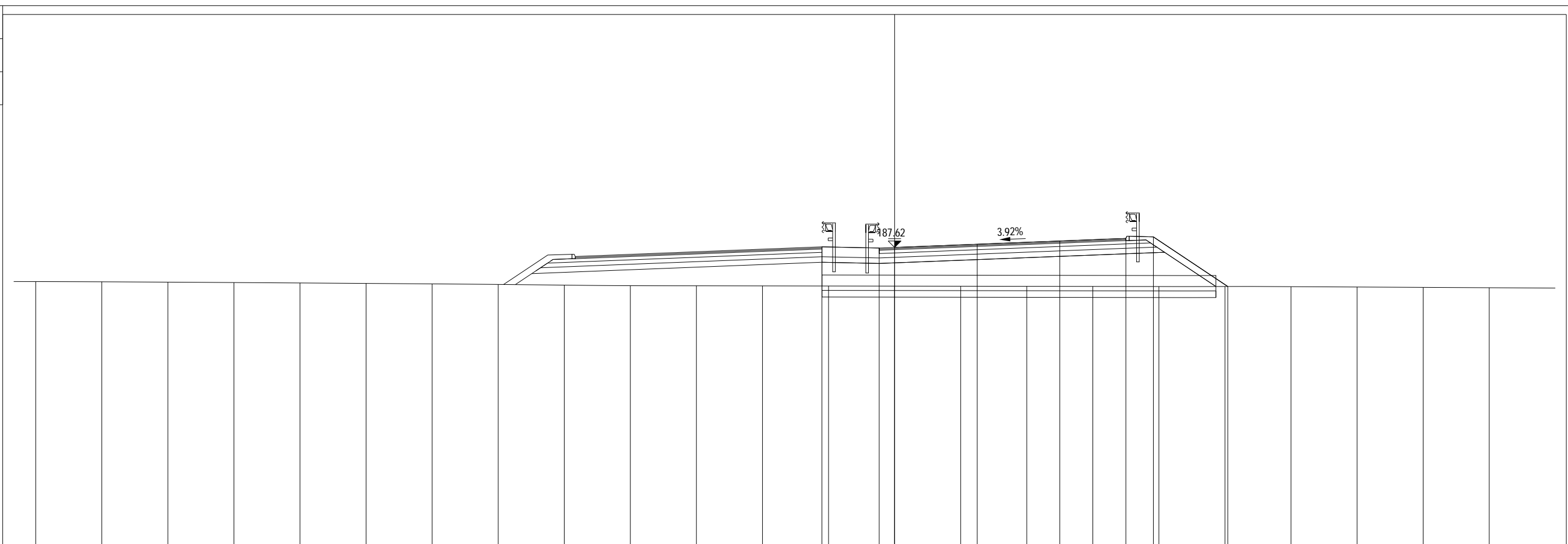
												187.62	187.57	187.59		187.74		187.89		188.01	188.07		185.50	
--	--	--	--	--	--	--	--	--	--	--	--	--------	--------	--------	--	--------	--	--------	--	--------	--------	--	--------	--

PROFILO 2.6a\_CUNEO

SEZIONE 25

PROGRESSIVA 580.49

A RILEVATO	m <sup>2</sup>	21.28
AN ANTICAPILLARE	m <sup>2</sup>	8.96
C BINDER	m <sup>2</sup>	0.56
D BASE	m <sup>2</sup>	1.84
MC MISTO CEMENTATO	m <sup>2</sup>	3.67
MS MISTO STABILIZZATO	m <sup>2</sup>	3.85
VR VEGETALE RIL	m <sup>2</sup>	1.36
a USURA	m	11.21
br BONIFICA	m	17.94
sc SCOTICO	m	17.94
tn TNT	m	17.94



PROGRESSIVE TERRENO

-39.00	-36.00	-33.00	-30.00	-27.00	-24.00	-21.00	-18.00	-15.00	-12.00	-9.00	-6.00	-3.00	0.00	3.00	6.00	9.00	12.00	15.00	18.00	21.00	24.00	27.00
--------	--------	--------	--------	--------	--------	--------	--------	--------	--------	-------	-------	-------	------	------	------	------	-------	-------	-------	-------	-------	-------

PARZIALI TERRENO

3.00	3.00	3.00	3.00	3.00	3.00	3.00	3.00	3.00	3.00	3.00	3.00	3.00	3.00	3.00	3.00	3.00	3.00	3.00	3.00	3.00	3.00	3.00
------	------	------	------	------	------	------	------	------	------	------	------	------	------	------	------	------	------	------	------	------	------	------

QUOTE TERRENO

186.07	186.06	186.04	186.03	186.01	185.99	185.97	185.94	185.91	185.88	185.88	185.87	185.87	185.86	185.86	185.85	185.85	185.85	185.85	185.85	185.84	185.82	185.81	185.79
--------	--------	--------	--------	--------	--------	--------	--------	--------	--------	--------	--------	--------	--------	--------	--------	--------	--------	--------	--------	--------	--------	--------	--------

PROGRESSIVE PROGETTO

												-3.30	-0.70	0.00		3.75	7.50	10.50	11.75	15.13			
--	--	--	--	--	--	--	--	--	--	--	--	-------	-------	------	--	------	------	-------	-------	-------	--	--	--

PARZIALI PROGETTO

												2.60	0.70	3.75	3.75	3.00	1.25	3.38					
--	--	--	--	--	--	--	--	--	--	--	--	------	------	------	------	------	------	------	--	--	--	--	--

QUOTE PROGETTO

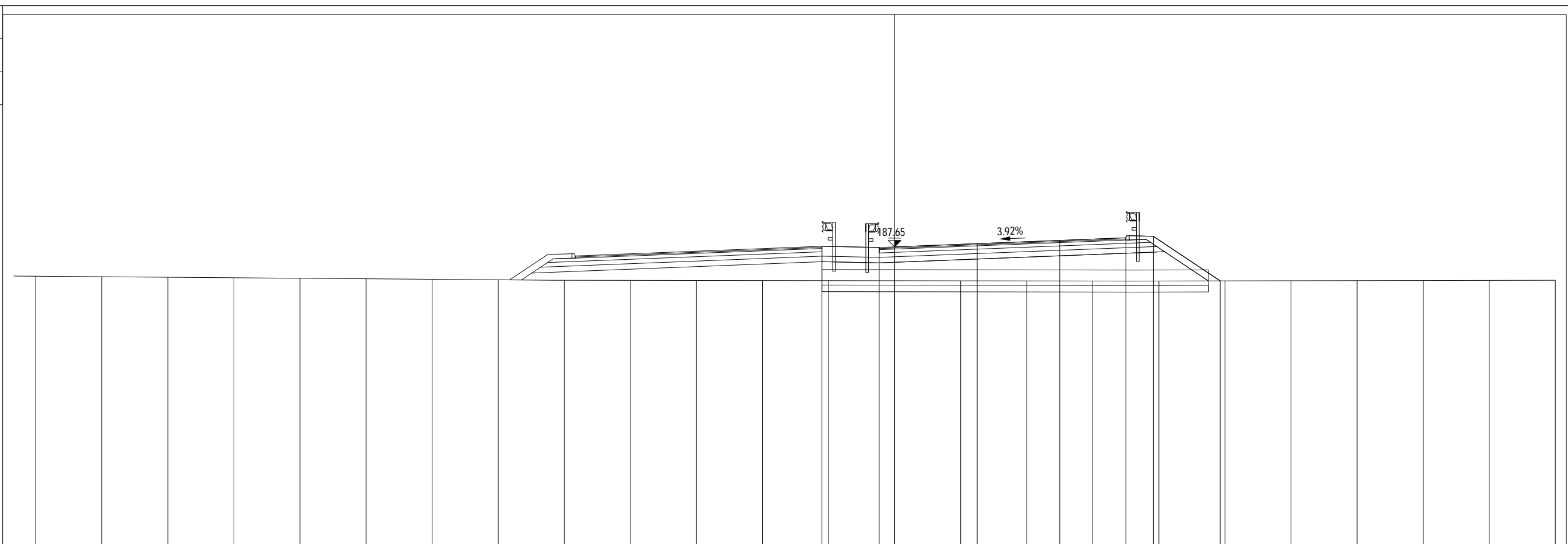
												187.65	187.59	187.62		187.77	187.91	188.03	188.10	185.85			
--	--	--	--	--	--	--	--	--	--	--	--	--------	--------	--------	--	--------	--------	--------	--------	--------	--	--	--

PROFILO 2.6a\_CUNEO

SEZIONE 26

PROGRESSIVA 605.55

A RILEVATO	m <sup>2</sup>	17.52
AN ANTICAPILLARE	m <sup>2</sup>	8.80
C BINDER	m <sup>2</sup>	0.56
D BASE	m <sup>2</sup>	1.83
MC MISTO CEMENTATO	m <sup>2</sup>	3.67
MS MISTO STABILIZZATO	m <sup>2</sup>	3.85
VR VEGETALE RIL	m <sup>2</sup>	1.21
a USURA	m	11.21
br BONIFICA	m	17.59
sc SCOTICO	m	17.59
tn TNT	m	17.59



PROGRESSIVE TERRENO

-39.00	-36.00	-33.00	-30.00	-27.00	-24.00	-21.00	-18.00	-15.00	-12.00	-9.00	-6.00	-3.00	0.00	3.00	6.00	9.00	12.00	15.00	18.00	21.00	24.00	27.00	30.00
--------	--------	--------	--------	--------	--------	--------	--------	--------	--------	-------	-------	-------	------	------	------	------	-------	-------	-------	-------	-------	-------	-------

PARZIALI TERRENO

3.00	3.00	3.00	3.00	3.00	3.00	3.00	3.00	3.00	3.00	3.00	3.00	3.00	3.00	3.00	3.00	3.00	3.00	3.00	3.00	3.00	3.00	3.00	3.00
------	------	------	------	------	------	------	------	------	------	------	------	------	------	------	------	------	------	------	------	------	------	------	------

QUOTE TERRENO

186.31	186.29	186.27	186.24	186.22	186.20	186.17	186.15	186.13	186.13	186.12	186.12	186.11	186.11	186.10	186.10	186.10	186.10	186.10	186.11	186.11	186.12	186.12	186.13
--------	--------	--------	--------	--------	--------	--------	--------	--------	--------	--------	--------	--------	--------	--------	--------	--------	--------	--------	--------	--------	--------	--------	--------

PROGRESSIVE PROGETTO

												-3.30	-0.70	0.00	3.75	7.50	10.50	11.75	14.78				
--	--	--	--	--	--	--	--	--	--	--	--	-------	-------	------	------	------	-------	-------	-------	--	--	--	--

PARZIALI PROGETTO

												2.60	0.70	3.75	3.75	3.00	1.25	3.03					
--	--	--	--	--	--	--	--	--	--	--	--	------	------	------	------	------	------	------	--	--	--	--	--

QUOTE PROGETTO

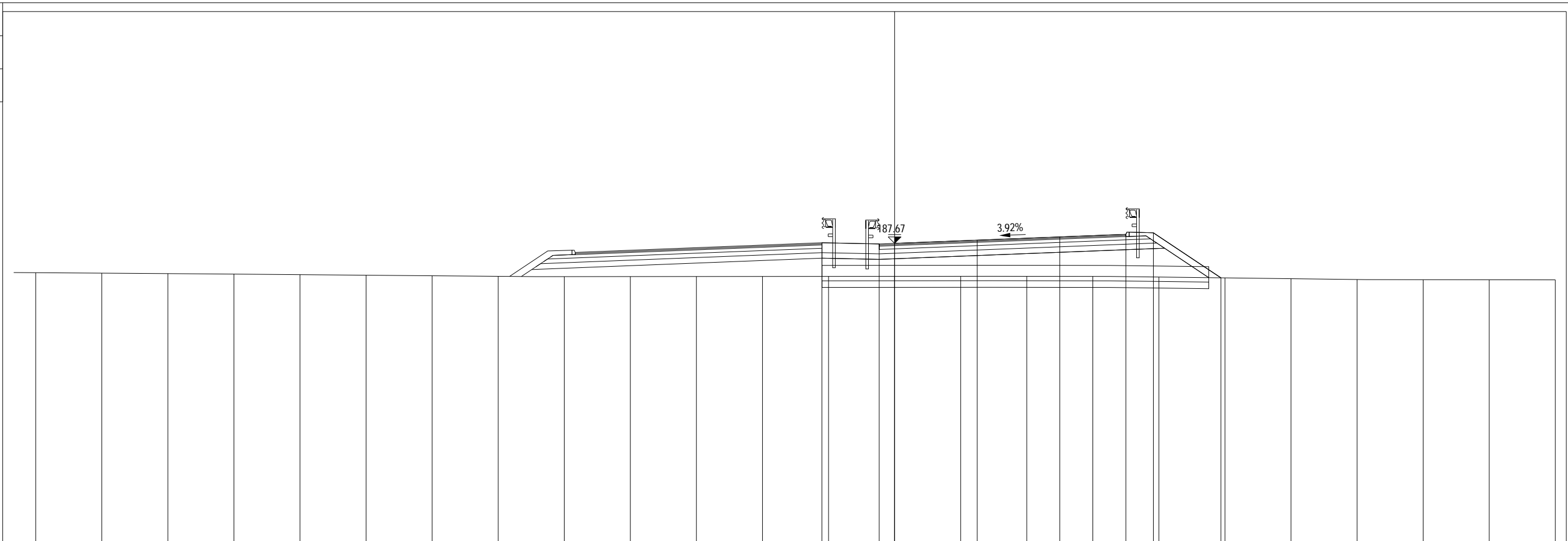
												187.67	187.62	187.65	187.79	187.94	188.06	188.12	186.10				
--	--	--	--	--	--	--	--	--	--	--	--	--------	--------	--------	--------	--------	--------	--------	--------	--	--	--	--

PROFILO 2.6a\_CUNEO

SEZIONE 27

PROGRESSIVA 630.61

A RILEVATO	m <sup>2</sup>	16.71
AN ANTICAPILLARE	m <sup>2</sup>	8.81
C BINDER	m <sup>2</sup>	0.56
D BASE	m <sup>2</sup>	1.84
MC MISTO CEMENTATO	m <sup>2</sup>	3.67
MS MISTO STABILIZZATO	m <sup>2</sup>	3.86
VR VEGETALE RIL	m <sup>2</sup>	1.25
a USURA	m	11.21
br BONIFICA	m	17.61
sc SCOTICO	m	17.61
tn TNT	m	17.61



PROGRESSIVE TERRENO

-39.00	-36.00	-33.00	-30.00	-27.00	-24.00	-21.00	-18.00	-15.00	-12.00	-9.00	-6.00	-3.00	0.00	3.00	6.00	9.00	12.00	15.00	18.00	21.00	24.00	27.00	30.00
--------	--------	--------	--------	--------	--------	--------	--------	--------	--------	-------	-------	-------	------	------	------	------	-------	-------	-------	-------	-------	-------	-------

PARZIALI TERRENO

3.00	3.00	3.00	3.00	3.00	3.00	3.00	3.00	3.00	3.00	3.00	3.00	3.00	3.00	3.00	3.00	3.00	3.00	3.00	3.00	3.00	3.00	3.00	3.00
------	------	------	------	------	------	------	------	------	------	------	------	------	------	------	------	------	------	------	------	------	------	------	------

QUOTE TERRENO

186.34	186.32	186.30	186.27	186.25	186.22	186.20	186.17	186.16	186.16	186.17	186.17	186.17	186.17	186.18	186.17	186.17	186.14	186.10	186.07	186.03	186.02	186.02	186.01
--------	--------	--------	--------	--------	--------	--------	--------	--------	--------	--------	--------	--------	--------	--------	--------	--------	--------	--------	--------	--------	--------	--------	--------

PROGRESSIVE PROGETTO

												-3.30	-0.70	0.00	3.75	7.50	10.50	11.75	14.82				
--	--	--	--	--	--	--	--	--	--	--	--	-------	-------	------	------	------	-------	-------	-------	--	--	--	--

PARZIALI PROGETTO

												2.60	0.70	3.75	3.75	3.00	1.25	3.07					
--	--	--	--	--	--	--	--	--	--	--	--	------	------	------	------	------	------	------	--	--	--	--	--

QUOTE PROGETTO

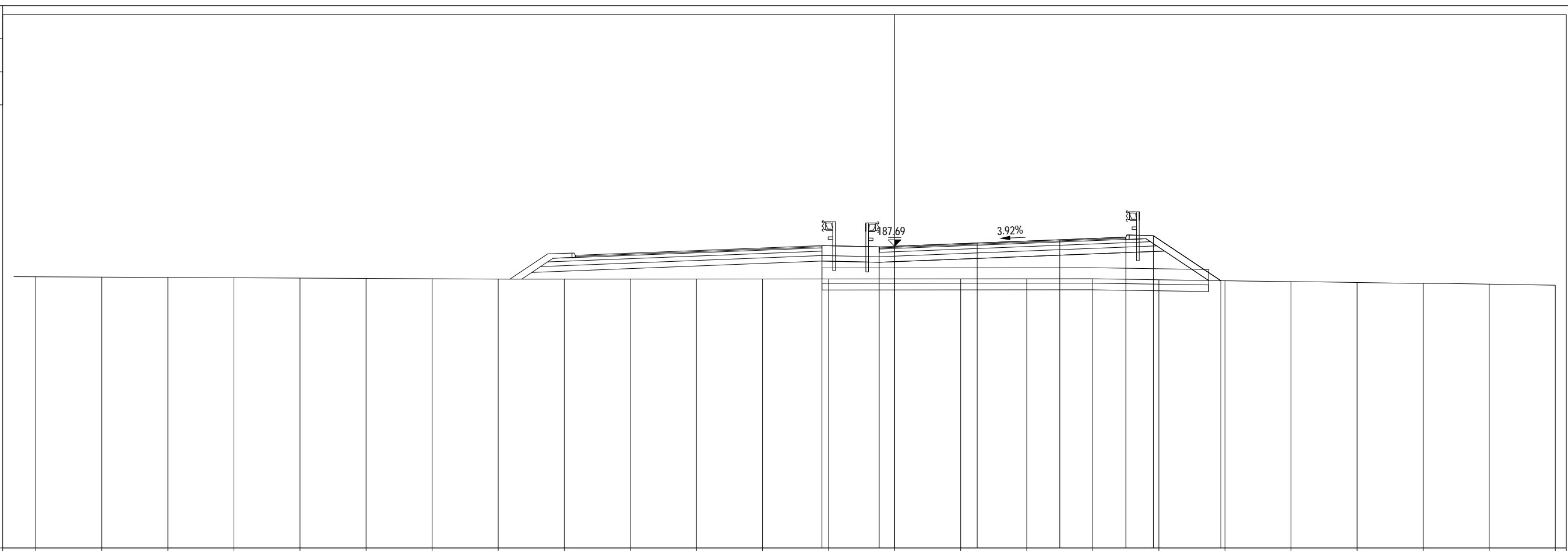
												187.70	187.64	187.67	187.82	187.97	188.08	188.15	186.11				
--	--	--	--	--	--	--	--	--	--	--	--	--------	--------	--------	--------	--------	--------	--------	--------	--	--	--	--

PROFILO 2.6a\_CUNEO

SEZIONE 28

PROGRESSIVA 645.65

A RILEVATO	m <sup>2</sup>	16.55
AN ANTICAPILLARE	m <sup>2</sup>	8.81
C BINDER	m <sup>2</sup>	0.56
D BASE	m <sup>2</sup>	1.83
MC MISTO CEMENTATO	m <sup>2</sup>	3.67
MS MISTO STABILIZZATO	m <sup>2</sup>	3.85
VR VEGETALE RIL	m <sup>2</sup>	1.22
a USURA	m	11.21
br BONIFICA	m	17.61
sc SCOTICO	m	17.61
tn TNT	m	17.61



PROGRESSIVE TERRENO

-39.00	-36.00	-33.00	-30.00	-27.00	-24.00	-21.00	-18.00	-15.00	-12.00	-9.00	-6.00	-3.00	0.00	3.00	6.00	9.00	12.00	15.00	18.00	21.00	24.00	27.00	30.00
--------	--------	--------	--------	--------	--------	--------	--------	--------	--------	-------	-------	-------	------	------	------	------	-------	-------	-------	-------	-------	-------	-------

PARZIALI TERRENO

3.00	3.00	3.00	3.00	3.00	3.00	3.00	3.00	3.00	3.00	3.00	3.00	3.00	3.00	3.00	3.00	3.00	3.00	3.00	3.00	3.00	3.00	3.00	3.00
------	------	------	------	------	------	------	------	------	------	------	------	------	------	------	------	------	------	------	------	------	------	------	------

QUOTE TERRENO

186.30	186.29	186.27	186.26	186.24	186.23	186.21	186.20	186.20	186.20	186.20	186.20	186.20	186.21	186.21	186.21	186.21	186.17	186.12	186.08	186.04	186.00	185.97	185.92
--------	--------	--------	--------	--------	--------	--------	--------	--------	--------	--------	--------	--------	--------	--------	--------	--------	--------	--------	--------	--------	--------	--------	--------

PROGRESSIVE PROGETTO

												-3.30	-0.70	0.00	3.75	7.50	10.50	11.75	14.81				
--	--	--	--	--	--	--	--	--	--	--	--	-------	-------	------	------	------	-------	-------	-------	--	--	--	--

PARZIALI PROGETTO

												2.60	0.70	3.75	3.75	3.00	1.25	3.06					
--	--	--	--	--	--	--	--	--	--	--	--	------	------	------	------	------	------	------	--	--	--	--	--

QUOTE PROGETTO

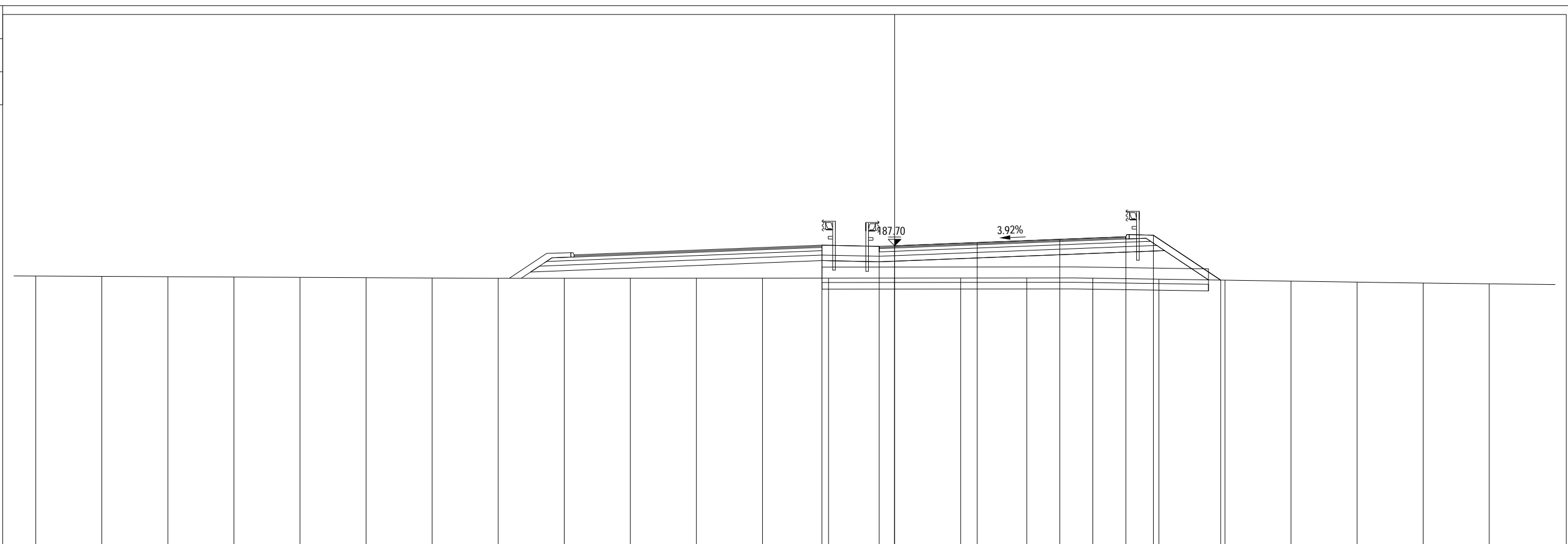
												187.71	187.66	187.69	187.83	187.98	188.10	188.17	186.12				
--	--	--	--	--	--	--	--	--	--	--	--	--------	--------	--------	--------	--------	--------	--------	--------	--	--	--	--

PROFILO 2.6a\_CUNEO

SEZIONE 29

PROGRESSIVA 654.38

A RILEVATO	m <sup>2</sup>	16.28
AN ANTICAPILLARE	m <sup>2</sup>	8.80
C BINDER	m <sup>2</sup>	0.56
D BASE	m <sup>2</sup>	1.83
MC MISTO CEMENTATO	m <sup>2</sup>	3.67
MS MISTO STABILIZZATO	m <sup>2</sup>	3.85
VR VEGETALE RIL	m <sup>2</sup>	1.22
a USURA	m	11.21
br BONIFICA	m	17.60
sc SCOTICO	m	17.60
tn TNT	m	17.60



PROGRESSIVE TERRENO

-39.00	-36.00	-33.00	-30.00	-27.00	-24.00	-21.00	-18.00	-15.00	-12.00	-9.00	-6.00	-3.00	0.00	3.00	6.00	9.00	12.00	15.00	18.00	21.00	24.00	27.00
--------	--------	--------	--------	--------	--------	--------	--------	--------	--------	-------	-------	-------	------	------	------	------	-------	-------	-------	-------	-------	-------

PARZIALI TERRENO

3.00	3.00	3.00	3.00	3.00	3.00	3.00	3.00	3.00	3.00	3.00	3.00	3.00	3.00	3.00	3.00	3.00	3.00	3.00	3.00	3.00	3.00	3.00
------	------	------	------	------	------	------	------	------	------	------	------	------	------	------	------	------	------	------	------	------	------	------

QUOTE TERRENO

186.32	186.31	186.29	186.28	186.26	186.25	186.23	186.22	186.22	186.22	186.22	186.23	186.23	186.23	186.23	186.24	186.22	186.18	186.13	186.09	186.04	186.00	185.97
--------	--------	--------	--------	--------	--------	--------	--------	--------	--------	--------	--------	--------	--------	--------	--------	--------	--------	--------	--------	--------	--------	--------

PROGRESSIVE PROGETTO

												-3.30	-0.70	0.00	3.75	7.50	10.50	11.75	14.81			
--	--	--	--	--	--	--	--	--	--	--	--	-------	-------	------	------	------	-------	-------	-------	--	--	--

PARZIALI PROGETTO

												2.60	0.70	3.75	3.75	3.00	1.25	3.06				
--	--	--	--	--	--	--	--	--	--	--	--	------	------	------	------	------	------	------	--	--	--	--

QUOTE PROGETTO

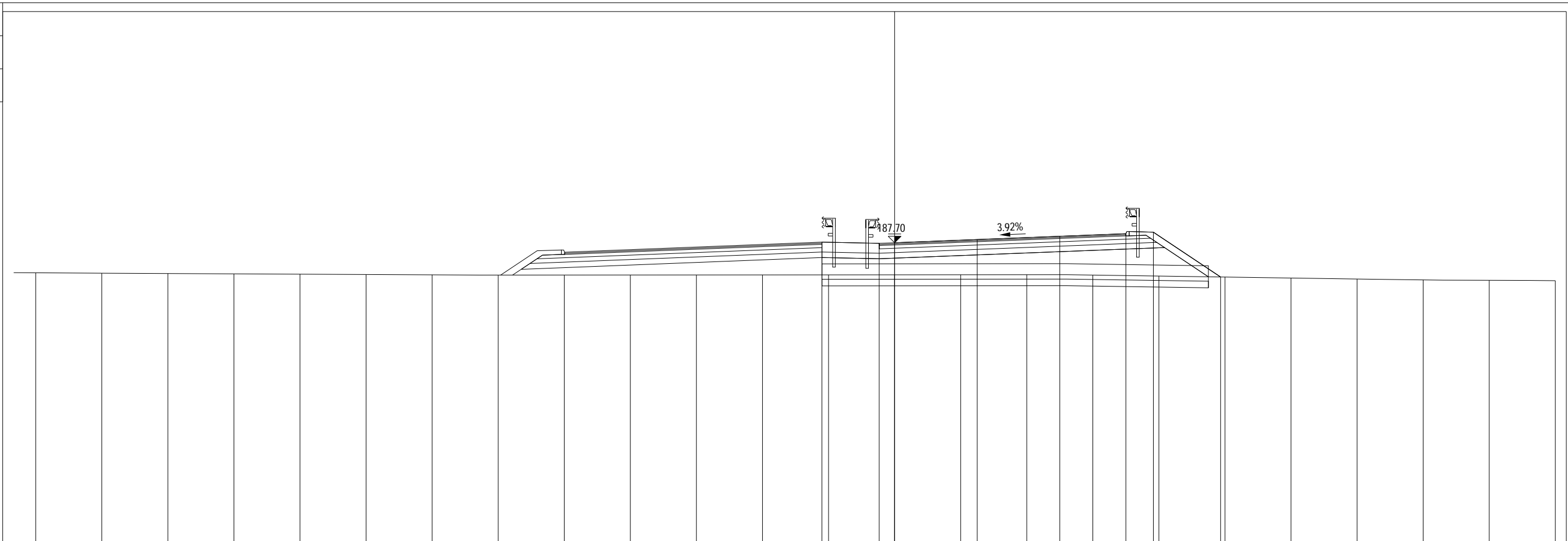
												187.72	187.67	187.70	187.84	187.99	188.11	188.17	186.14			
--	--	--	--	--	--	--	--	--	--	--	--	--------	--------	--------	--------	--------	--------	--------	--------	--	--	--

PROFILO 2.6a\_CUNEO

SEZIONE 30

PROGRESSIVA 658.51

A RILEVATO	m <sup>2</sup>	16.14
AN ANTICAPILLARE	m <sup>2</sup>	8.80
C BINDER	m <sup>2</sup>	0.56
D BASE	m <sup>2</sup>	1.82
MC MISTO CEMENTATO	m <sup>2</sup>	3.68
MS MISTO STABILIZZATO	m <sup>2</sup>	3.86
VR VEGETALE RIL	m <sup>2</sup>	1.23
a USURA	m	11.21
br BONIFICA	m	17.60
sc SCOTICO	m	17.60
tn TNT	m	17.60



PROGRESSIVE TERRENO

-39.00	-36.00	-33.00	-30.00	-27.00	-24.00	-21.00	-18.00	-15.00	-12.00	-9.00	-6.00	-3.00	0.00	3.00	6.00	9.00	12.00	15.00	18.00	21.00	24.00	27.00	30.00
--------	--------	--------	--------	--------	--------	--------	--------	--------	--------	-------	-------	-------	------	------	------	------	-------	-------	-------	-------	-------	-------	-------

PARZIALI TERRENO

3.00	3.00	3.00	3.00	3.00	3.00	3.00	3.00	3.00	3.00	3.00	3.00	3.00	3.00	3.00	3.00	3.00	3.00	3.00	3.00	3.00	3.00	3.00	3.00
------	------	------	------	------	------	------	------	------	------	------	------	------	------	------	------	------	------	------	------	------	------	------	------

QUOTE TERRENO

186.33	186.32	186.30	186.29	186.27	186.26	186.24	186.23	186.23	186.23	186.24	186.24	186.24	186.24	186.24	186.25	186.23	186.19	186.14	186.10	186.05	186.01	185.99	185.98
--------	--------	--------	--------	--------	--------	--------	--------	--------	--------	--------	--------	--------	--------	--------	--------	--------	--------	--------	--------	--------	--------	--------	--------

PROGRESSIVE PROGETTO

												-3.30	-0.70	0.00									
--	--	--	--	--	--	--	--	--	--	--	--	-------	-------	------	--	--	--	--	--	--	--	--	--

PARZIALI PROGETTO

												2.60	0.70	3.75		3.75	3.00	1.25	3.05				
--	--	--	--	--	--	--	--	--	--	--	--	------	------	------	--	------	------	------	------	--	--	--	--

QUOTE PROGETTO

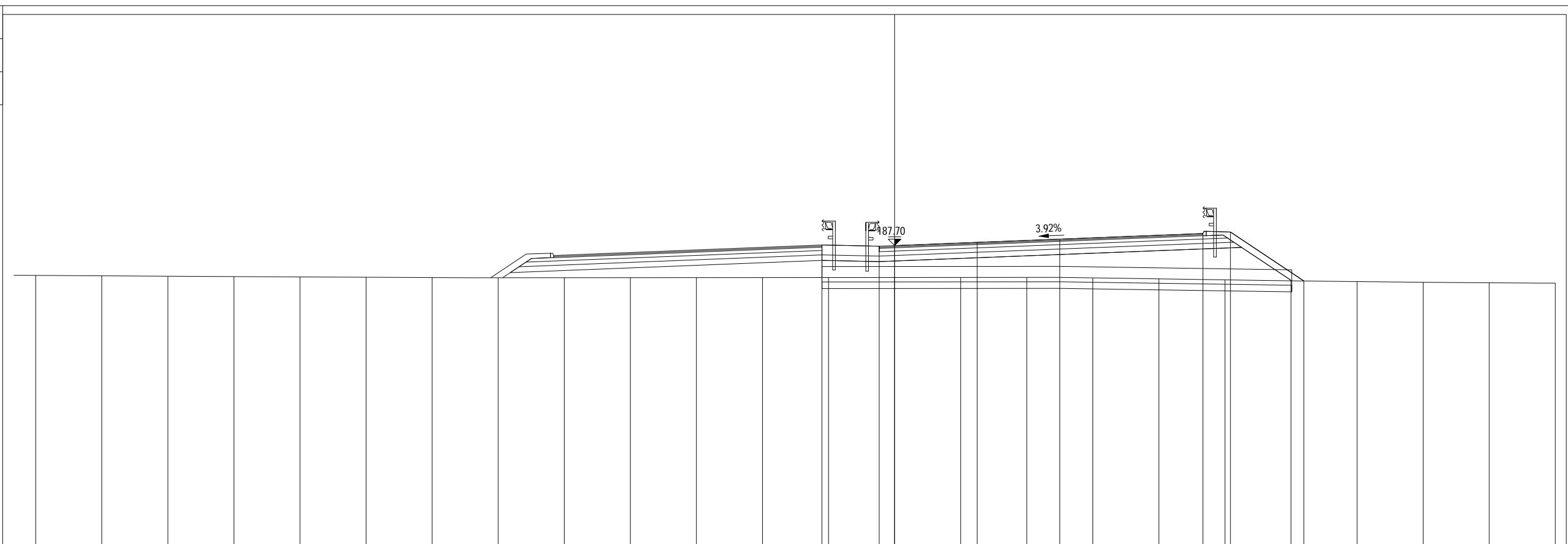
												187.73	187.67	187.70		187.85		187.99		188.11	188.18		186.14
--	--	--	--	--	--	--	--	--	--	--	--	--------	--------	--------	--	--------	--	--------	--	--------	--------	--	--------

PROFILO 2.6a\_CUNEO

SEZIONE 31

PROGRESSIVA 662.78

A RILEVATO	m <sup>2</sup>	21.36
AN ANTICAPILLARE	m <sup>2</sup>	10.69
C BINDER	m <sup>2</sup>	0.73
D BASE	m <sup>2</sup>	2.35
MC MISTO CEMENTATO	m <sup>2</sup>	4.38
MS MISTO STABILIZZATO	m <sup>2</sup>	4.73
VR VEGETALE RIL	m <sup>2</sup>	1.36
a USURA	m	14.71
br BONIFICA	m	21.38
sc SCOTICO	m	21.38
tn TNT	m	21.38



PROGRESSIVE TERRENO

-39.00	-36.00	-33.00	-30.00	-27.00	-24.00	-21.00	-18.00	-15.00	-12.00	-9.00	-6.00	-3.00	0.00	3.00	6.00	9.00	12.00	15.00	18.00	21.00	24.00	27.00	30.00
--------	--------	--------	--------	--------	--------	--------	--------	--------	--------	-------	-------	-------	------	------	------	------	-------	-------	-------	-------	-------	-------	-------

PARZIALI TERRENO

3.00	3.00	3.00	3.00	3.00	3.00	3.00	3.00	3.00	3.00	3.00	3.00	3.00	3.00	3.00	3.00	3.00	3.00	3.00	3.00	3.00	3.00	3.00	3.00
------	------	------	------	------	------	------	------	------	------	------	------	------	------	------	------	------	------	------	------	------	------	------	------

QUOTE TERRENO

186.35	186.33	186.31	186.30	186.28	186.27	186.25	186.24	186.25	186.25	186.25	186.25	186.25	186.25	186.26	186.26	186.24	186.19	186.15	186.10	186.07	186.04	186.02	186.00
--------	--------	--------	--------	--------	--------	--------	--------	--------	--------	--------	--------	--------	--------	--------	--------	--------	--------	--------	--------	--------	--------	--------	--------

PROGRESSIVE PROGETTO

												-3.30	-0.70	0.00				14.00	15.25				
--	--	--	--	--	--	--	--	--	--	--	--	-------	-------	------	--	--	--	-------	-------	--	--	--	--

PARZIALI PROGETTO

												2.60	0.70	3.75	3.75	6.50		1.25	3.33				
--	--	--	--	--	--	--	--	--	--	--	--	------	------	------	------	------	--	------	------	--	--	--	--

QUOTE PROGETTO

												187.73	187.68	187.70	187.85	188.00		188.25	188.32				
--	--	--	--	--	--	--	--	--	--	--	--	--------	--------	--------	--------	--------	--	--------	--------	--	--	--	--



PROFILO 2.6a\_CUNEO

SEZIONE 32

PROGRESSIVA 684.35

A RILEVATO	m <sup>2</sup>	20.10
AN ANTICAPILLARE	m <sup>2</sup>	10.59
C BINDER	m <sup>2</sup>	0.73
D BASE	m <sup>2</sup>	2.37
MC MISTO CEMENTATO	m <sup>2</sup>	4.37
MS MISTO STABILIZZATO	m <sup>2</sup>	4.72
VR VEGETALE RIL	m <sup>2</sup>	1.26
a USURA	m	14.71
br BONIFICA	m	21.19
sc SCOTICO	m	21.19
tn TNT	m	21.19



174  
 200

PROGRESSIVE TERRENO	-39.00	-36.00	-33.00	-30.00	-27.00	-24.00	-21.00	-18.00	-15.00	-12.00	-9.00	-6.00	-3.00	0.00	3.00	6.00	9.00	12.00	15.00	18.00	21.00	24.00	27.00	30.00
PARZIALI TERRENO		3.00	3.00	3.00	3.00	3.00	3.00	3.00	3.00	3.00	3.00	3.00	3.00	3.00	3.00	3.00	3.00	3.00	3.00	3.00	3.00	3.00	3.00	3.00
QUOTE TERRENO	186.43	186.41	186.40	186.38	186.36	186.34	186.32	186.31	186.31	186.31	186.31	186.31	186.31	186.31	186.31	186.32	186.30	186.29	186.27	186.25	186.24	186.22	186.20	186.18
PROGRESSIVE PROGETTO													-3.30	-0.70	0.00				14.00	15.25	18.39			
PARZIALI PROGETTO													2.60	0.70	3.75			6.50	1.25	3.14				
QUOTE PROGETTO													187.75	187.70	187.73		187.87	188.02	188.27	188.34	186.25			

PROFILO 2.6a\_CUNEO

SEZIONE 33

PROGRESSIVA 708.91

A RILEVATO	m <sup>2</sup>	19.58
AN ANTICAPILLARE	m <sup>2</sup>	10.53
C BINDER	m <sup>2</sup>	0.73
D BASE	m <sup>2</sup>	2.35
MC MISTO CEMENTATO	m <sup>2</sup>	4.37
MS MISTO STABILIZZATO	m <sup>2</sup>	4.74
VR VEGETALE RIL	m <sup>2</sup>	1.23
a USURA	m	14.71
br BONIFICA	m	21.12
sc SCOTICO	m	21.12
tn TNT	m	21.12



PROGRESSIVE TERRENO

PARZIALI TERRENO

QUOTE TERRENO

PROGRESSIVE PROGETTO

PARZIALI PROGETTO

QUOTE PROGETTO

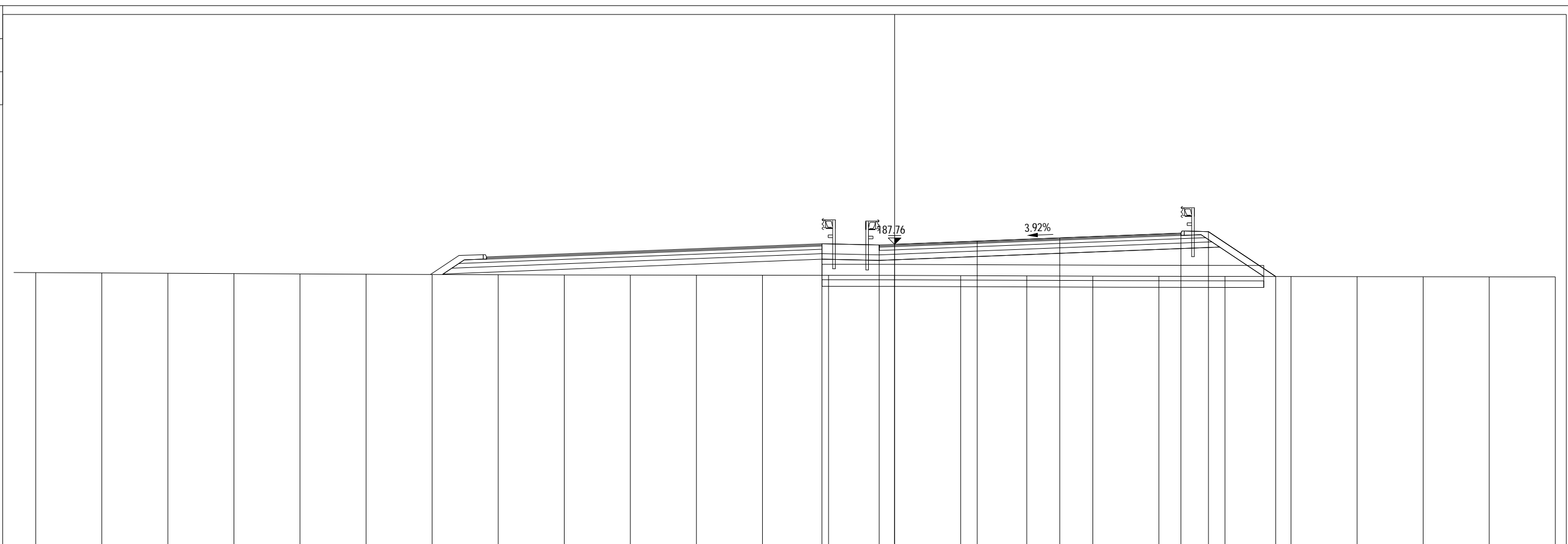
PROGRESSIVE TERRENO	-39.00	-36.00	-33.00	-30.00	-27.00	-24.00	-21.00	-18.00	-15.00	-12.00	-9.00	-6.00	-3.00	0.00	3.00	6.00	9.00	12.00	15.00	18.00	21.00	24.00	27.00	30.00		
PARZIALI TERRENO		3.00	3.00	3.00	3.00	3.00	3.00	3.00	3.00	3.00	3.00	3.00	3.00	3.00	3.00	3.00	3.00	3.00	3.00	3.00	3.00	3.00	3.00	3.00		
QUOTE TERRENO	186.48	186.46	186.45	186.43	186.42	186.40	186.39	186.39	186.38	186.38	186.37	186.37	186.37	186.36	186.36	186.35	186.34	186.34	186.34	186.33	186.33	186.31	186.30	186.28	186.27	
PROGRESSIVE PROGETTO													-3.30	-0.70	0.00				14.00	15.25						
PARZIALI PROGETTO													2.60	0.70	3.75		3.75		6.50	1.25	3.06					
QUOTE PROGETTO													187.78	187.72	187.75		187.90		188.05		188.30	188.37				

PROFILO 2.6a\_CUNEO

SEZIONE 34

PROGRESSIVA 716.95

A RILEVATO	m <sup>2</sup>	18.85
AN ANTICAPILLARE	m <sup>2</sup>	10.06
C BINDER	m <sup>2</sup>	0.68
D BASE	m <sup>2</sup>	2.22
MC MISTO CEMENTATO	m <sup>2</sup>	4.17
MS MISTO STABILIZZATO	m <sup>2</sup>	4.48
VR VEGETALE RIL	m <sup>2</sup>	1.22
a USURA	m	13.71
br BONIFICA	m	20.11
sc SCOTICO	m	20.11
tn TNT	m	20.11



PROGRESSIVE TERRENO

-39.00	-36.00	-33.00	-30.00	-27.00	-24.00	-21.00	-18.00	-15.00	-12.00	-9.00	-6.00	-3.00	0.00	3.00	6.00	9.00	12.00	15.00	18.00	21.00	24.00	27.00	30.00
--------	--------	--------	--------	--------	--------	--------	--------	--------	--------	-------	-------	-------	------	------	------	------	-------	-------	-------	-------	-------	-------	-------

PARZIALI TERRENO

3.00	3.00	3.00	3.00	3.00	3.00	3.00	3.00	3.00	3.00	3.00	3.00	3.00	3.00	3.00	3.00	3.00	3.00	3.00	3.00	3.00	3.00	3.00	3.00
------	------	------	------	------	------	------	------	------	------	------	------	------	------	------	------	------	------	------	------	------	------	------	------

QUOTE TERRENO

186.48	186.46	186.45	186.43	186.42	186.40	186.39	186.38	186.37	186.37	186.36	186.36	186.35	186.35	186.34	186.33	186.32	186.31	186.30	186.30	186.29	186.29	186.28	186.28
--------	--------	--------	--------	--------	--------	--------	--------	--------	--------	--------	--------	--------	--------	--------	--------	--------	--------	--------	--------	--------	--------	--------	--------

PROGRESSIVE PROGETTO

												-3.30	-0.70	0.00	3.75	7.50		13.00	14.25	17.30			
--	--	--	--	--	--	--	--	--	--	--	--	-------	-------	------	------	------	--	-------	-------	-------	--	--	--

PARZIALI PROGETTO

												2.60	0.70	3.75	3.75	5.50		1.25	3.05				
--	--	--	--	--	--	--	--	--	--	--	--	------	------	------	------	------	--	------	------	--	--	--	--

QUOTE PROGETTO

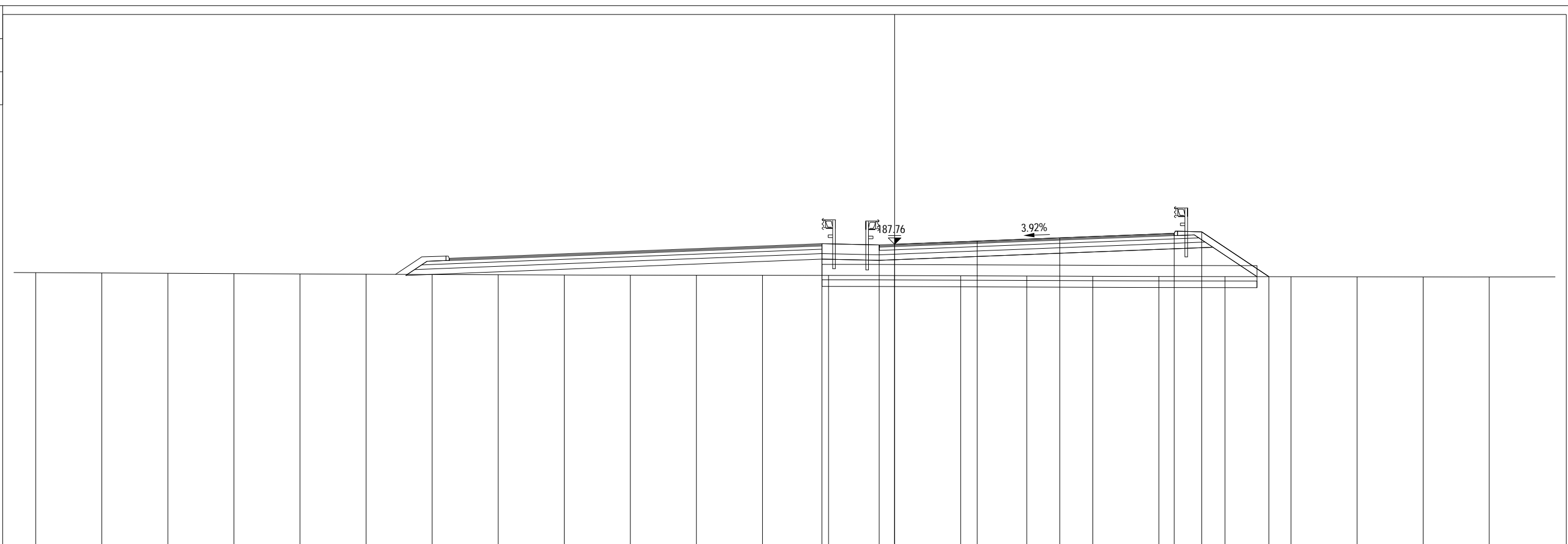
												187.79	187.73	187.76	187.91	188.05		188.27	188.34	186.30			
--	--	--	--	--	--	--	--	--	--	--	--	--------	--------	--------	--------	--------	--	--------	--------	--------	--	--	--

PROFILO 2.6a\_CUNEO

SEZIONE 35

PROGRESSIVA 719.48

A RILEVATO	m <sup>2</sup>	18.56
AN ANTICAPILLARE	m <sup>2</sup>	9.88
C BINDER	m <sup>2</sup>	0.67
D BASE	m <sup>2</sup>	2.15
MC MISTO CEMENTATO	m <sup>2</sup>	4.11
MS MISTO STABILIZZATO	m <sup>2</sup>	4.41
VR VEGETALE RIL	m <sup>2</sup>	1.24
a USURA	m	13.41
br BONIFICA	m	19.80
sc SCOTICO	m	19.80
tn TNT	m	19.80



174  
▼

200  
200

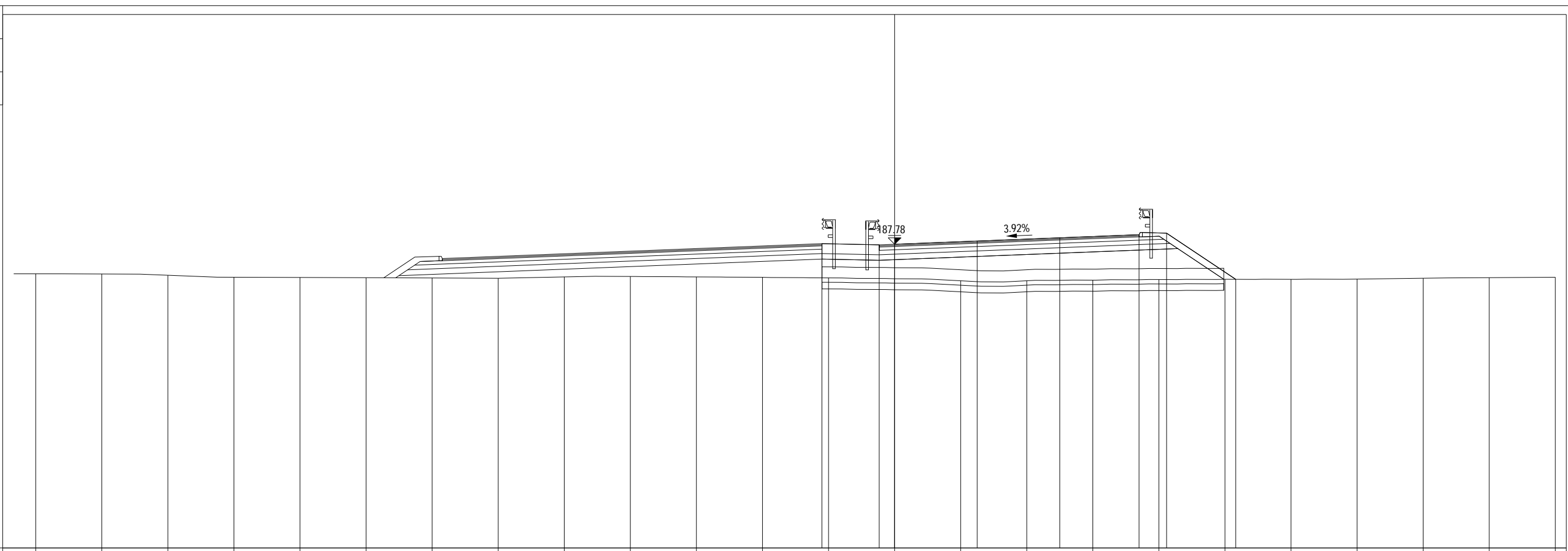
PROGRESSIVE TERRENO	-39.00	-36.00	-33.00	-30.00	-27.00	-24.00	-21.00	-18.00	-15.00	-12.00	-9.00	-6.00	-3.00	0.00	3.00	6.00	9.00	12.00	15.00	18.00	21.00	24.00	27.00
PARZIALI TERRENO		3.00	3.00	3.00	3.00	3.00	3.00	3.00	3.00	3.00	3.00	3.00	3.00	3.00	3.00	3.00	3.00	3.00	3.00	3.00	3.00	3.00	3.00
QUOTE TERRENO	186.48	186.46	186.45	186.43	186.42	186.40	186.39	186.38	186.37	186.36	186.36	186.35	186.35	186.34	186.33	186.32	186.31	186.30	186.30	186.29	186.29	186.28	186.28
PROGRESSIVE PROGETTO													-3.30	-0.70	0.00	3.75	7.50	12.70	13.95	17.00			
PARZIALI PROGETTO													2.60	0.70	3.75	3.75	5.20	1.25	3.05				
QUOTE PROGETTO													187.79	187.73	187.76	187.91	188.06	188.26	188.33	186.29			

PROFILO 2.6a\_CUNEO

SEZIONE 36

PROGRESSIVA 733.87

A RILEVATO	m <sup>2</sup>	19.52
AN ANTICAPILLARE	m <sup>2</sup>	9.16
C BINDER	m <sup>2</sup>	0.59
D BASE	m <sup>2</sup>	1.92
MC MISTO CEMENTATO	m <sup>2</sup>	3.79
MS MISTO STABILIZZATO	m <sup>2</sup>	4.01
VR VEGETALE RIL	m <sup>2</sup>	1.29
a USURA	m	11.81
br BONIFICA	m	18.29
sc SCOTICO	m	18.29
tn TNT	m	18.29



174  
200

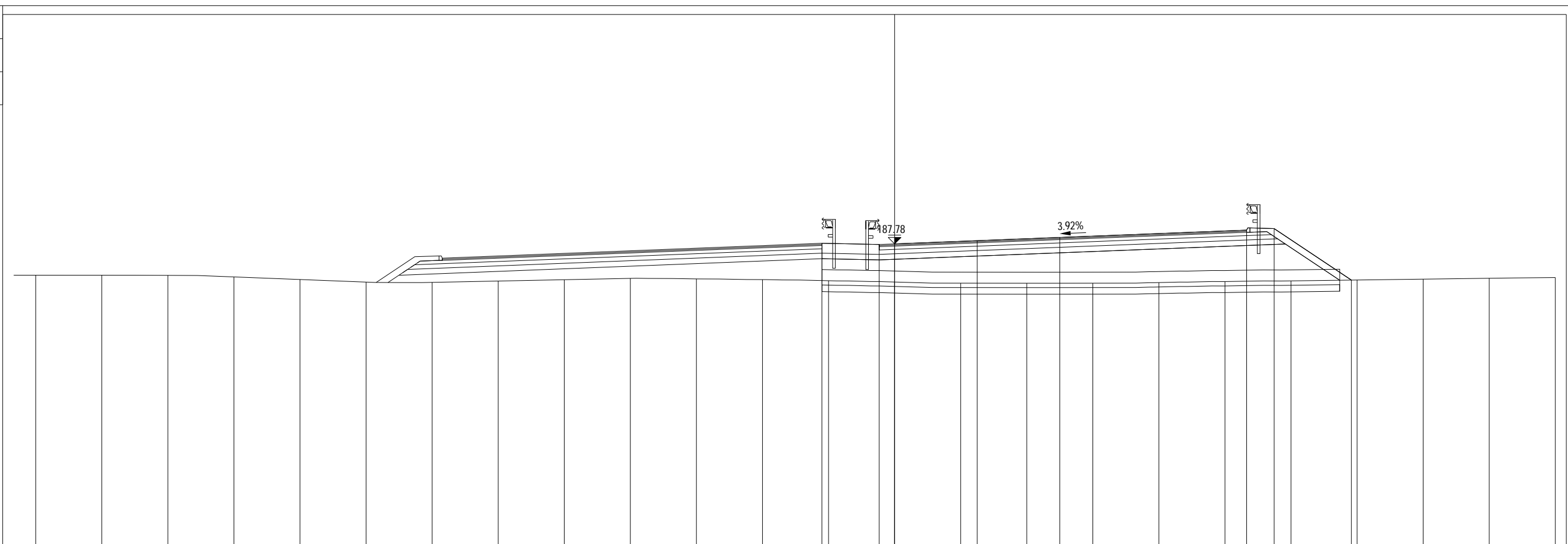
PROGRESSIVE TERRENO	-39.00	-36.00	-33.00	-30.00	-27.00	-24.00	-21.00	-18.00	-15.00	-12.00	-9.00	-6.00	-3.00	0.00	3.00	6.00	9.00	12.00	15.00	18.00	21.00	24.00	27.00	30.00
PARZIALI TERRENO		3.00	3.00	3.00	3.00	3.00	3.00	3.00	3.00	3.00	3.00	3.00	3.00	3.00	3.00	3.00	3.00	3.00	3.00	3.00	3.00	3.00	3.00	3.00
QUOTE TERRENO	186.44	186.43	186.37	186.28	186.27	186.26	186.25	186.23	186.29	186.32	186.29	186.28	186.25	186.21	186.12	186.12	186.15	186.18	186.19	186.19	186.20	186.24	186.26	186.28
PROGRESSIVE PROGETTO													-3.30	-0.70	0.00	3.75	7.50	11.10	12.35	15.49				
PARZIALI PROGETTO													2.60	0.70	3.75	3.75	3.60	1.25	3.14					
QUOTE PROGETTO													187.80	187.75	187.78	187.92	188.07	188.21	188.28	186.19				

PROFILO 2.6a\_CUNEO

SEZIONE 37

PROGRESSIVA 738.82

A RILEVATO	m <sup>2</sup>	30.31
AN ANTICAPILLARE	m <sup>2</sup>	11.74
C BINDER	m <sup>2</sup>	0.83
D BASE	m <sup>2</sup>	2.67
MC MISTO CEMENTATO	m <sup>2</sup>	4.76
MS MISTO STABILIZZATO	m <sup>2</sup>	5.22
VR VEGETALE RIL	m <sup>2</sup>	1.38
a USURA	m	16.69
br BONIFICA	m	23.56
sc SCOTICO	m	23.56
tn TNT	m	23.56



PROGRESSIVE TERRENO

-39.00	-36.00	-33.00	-30.00	-27.00	-24.00	-21.00	-18.00	-15.00	-12.00	-9.00	-6.00	-3.00	0.00	3.00	6.00	9.00	12.00	15.00	18.00	21.00	24.00	27.00	30.00
--------	--------	--------	--------	--------	--------	--------	--------	--------	--------	-------	-------	-------	------	------	------	------	-------	-------	-------	-------	-------	-------	-------

PARZIALI TERRENO

3.00	3.00	3.00	3.00	3.00	3.00	3.00	3.00	3.00	3.00	3.00	3.00	3.00	3.00	3.00	3.00	3.00	3.00	3.00	3.00	3.00	3.00	3.00	3.00
------	------	------	------	------	------	------	------	------	------	------	------	------	------	------	------	------	------	------	------	------	------	------	------

QUOTE TERRENO

186.36	186.36	186.35	186.28	186.16	186.05	186.03	186.09	186.15	186.22	186.19	186.16	186.11	186.05	186.00	186.00	186.00	186.02	186.07	186.10	186.14	186.18	186.22	186.25
--------	--------	--------	--------	--------	--------	--------	--------	--------	--------	--------	--------	--------	--------	--------	--------	--------	--------	--------	--------	--------	--------	--------	--------

PROGRESSIVE PROGETTO

												-3.30	-0.70	0.00	3.75	7.50		15.98	17.23	20.74			
--	--	--	--	--	--	--	--	--	--	--	--	-------	-------	------	------	------	--	-------	-------	-------	--	--	--

PARZIALI PROGETTO

												2.60	0.70	3.75	3.75	8.48		1.25	3.51				
--	--	--	--	--	--	--	--	--	--	--	--	------	------	------	------	------	--	------	------	--	--	--	--

QUOTE PROGETTO

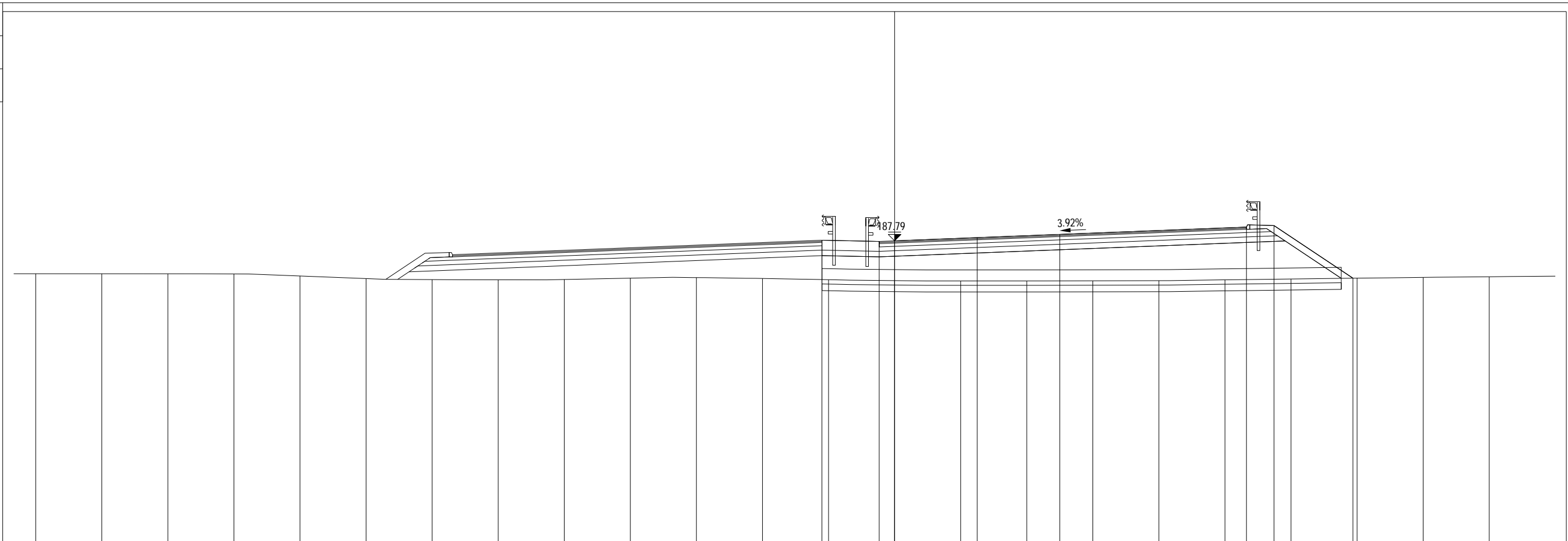
												187.81	187.75	187.78	187.93	188.08		188.41	188.48	186.14			
--	--	--	--	--	--	--	--	--	--	--	--	--------	--------	--------	--------	--------	--	--------	--------	--------	--	--	--

PROFILO 2.6a\_CUNEO

SEZIONE 38

PROGRESSIVA 743.20

A RILEVATO	m <sup>2</sup>	31.56
AN ANTICAPILLARE	m <sup>2</sup>	11.82
C BINDER	m <sup>2</sup>	0.83
D BASE	m <sup>2</sup>	2.65
MC MISTO CEMENTATO	m <sup>2</sup>	4.76
MS MISTO STABILIZZATO	m <sup>2</sup>	5.23
VR VEGETALE RIL	m <sup>2</sup>	1.44
a USURA	m	16.69
br BONIFICA	m	23.63
sc SCOTICO	m	23.63
tn TNT	m	23.63



174

200

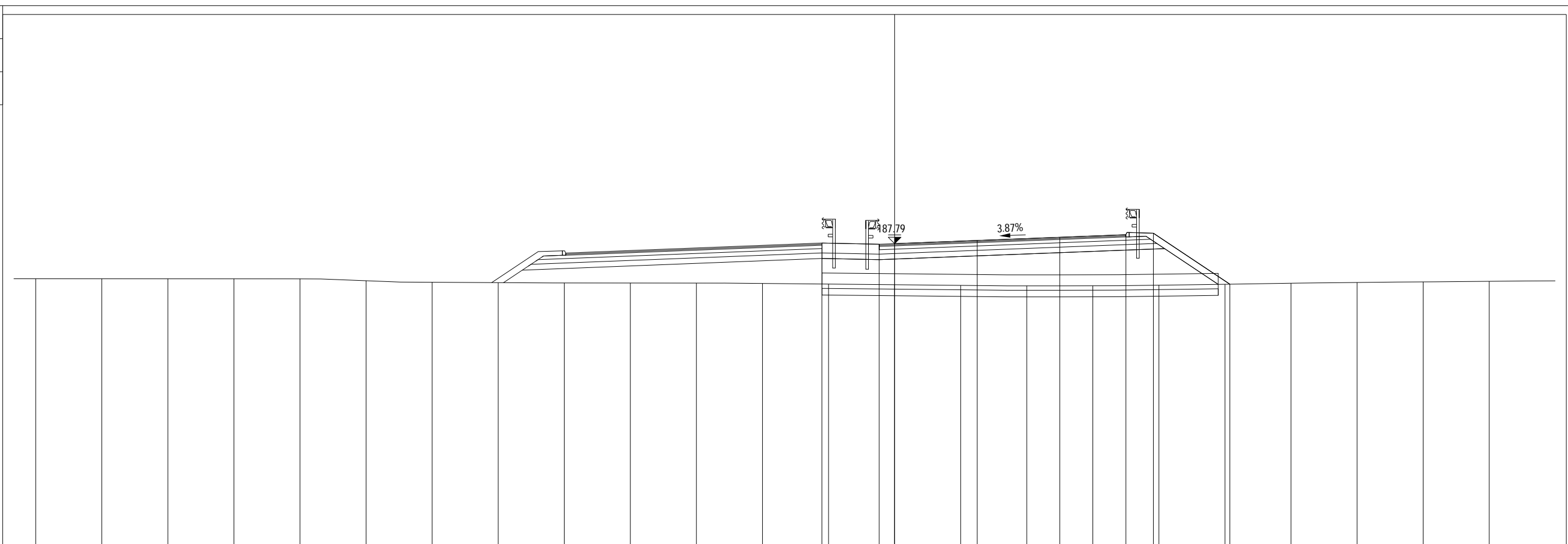
PROGRESSIVE TERRENO	-39.00	-36.00	-33.00	-30.00	-27.00	-24.00	-21.00	-18.00	-15.00	-12.00	-9.00	-6.00	-3.00	0.00	3.00	6.00	9.00	12.00	15.00	18.00	21.00	24.00	27.00
PARZIALI TERRENO		3.00	3.00	3.00	3.00	3.00	3.00	3.00	3.00	3.00	3.00	3.00	3.00	3.00	3.00	3.00	3.00	3.00	3.00	3.00	3.00	3.00	3.00
QUOTE TERRENO	186.29	186.29	186.29	186.28	186.19	186.07	186.03	186.02	186.03	186.09	186.12	186.08	186.02	185.98	185.96	185.97	185.97	185.98	186.02	186.05	186.09	186.13	186.15
PROGRESSIVE PROGETTO													-3.30	-0.70	0.00	3.75	7.50		15.98	17.23	20.81		
PARZIALI PROGETTO													2.60	0.70	3.75	3.75		8.48	1.25	3.58			
QUOTE PROGETTO													187.81	187.76	187.79	187.93	188.08		188.41	188.48	186.09		

PROFILO 2.6a\_CUNEO

SEZIONE 39

PROGRESSIVA 749.31

A RILEVATO	m <sup>2</sup>	23.54
AN ANTICAPILLARE	m <sup>2</sup>	9.03
C BINDER	m <sup>2</sup>	0.56
D BASE	m <sup>2</sup>	1.83
MC MISTO CEMENTATO	m <sup>2</sup>	3.68
MS MISTO STABILIZZATO	m <sup>2</sup>	3.85
VR VEGETALE RIL	m <sup>2</sup>	1.38
a USURA	m	11.21
br BONIFICA	m	18.04
sc SCOTICO	m	18.04
tn TNT	m	18.04



PROGRESSIVE TERRENO

-39.00	-36.00	-33.00	-30.00	-27.00	-24.00	-21.00	-18.00	-15.00	-12.00	-9.00	-6.00	-3.00	0.00	3.00	6.00	9.00	12.00	15.00	18.00	21.00	24.00	27.00
--------	--------	--------	--------	--------	--------	--------	--------	--------	--------	-------	-------	-------	------	------	------	------	-------	-------	-------	-------	-------	-------

PARZIALI TERRENO

3.00	3.00	3.00	3.00	3.00	3.00	3.00	3.00	3.00	3.00	3.00	3.00	3.00	3.00	3.00	3.00	3.00	3.00	3.00	3.00	3.00	3.00	3.00
------	------	------	------	------	------	------	------	------	------	------	------	------	------	------	------	------	------	------	------	------	------	------

QUOTE TERRENO

186.20	186.20	186.20	186.19	186.19	186.11	186.04	186.02	186.01	186.00	186.00	185.98	185.96	185.93	185.90	185.88	185.88	185.91	185.95	185.99	186.03	186.06	186.08
--------	--------	--------	--------	--------	--------	--------	--------	--------	--------	--------	--------	--------	--------	--------	--------	--------	--------	--------	--------	--------	--------	--------

PROGRESSIVE PROGETTO

												-3.30	-0.70	0.00	3.75	7.50	10.50	11.75	15.22			
--	--	--	--	--	--	--	--	--	--	--	--	-------	-------	------	------	------	-------	-------	-------	--	--	--

PARZIALI PROGETTO

												2.60	0.70	3.75	3.75	3.00	1.25	3.47				
--	--	--	--	--	--	--	--	--	--	--	--	------	------	------	------	------	------	------	--	--	--	--

QUOTE PROGETTO

												187.82	187.77	187.79	187.94	188.08	188.20	188.27	185.95			
--	--	--	--	--	--	--	--	--	--	--	--	--------	--------	--------	--------	--------	--------	--------	--------	--	--	--

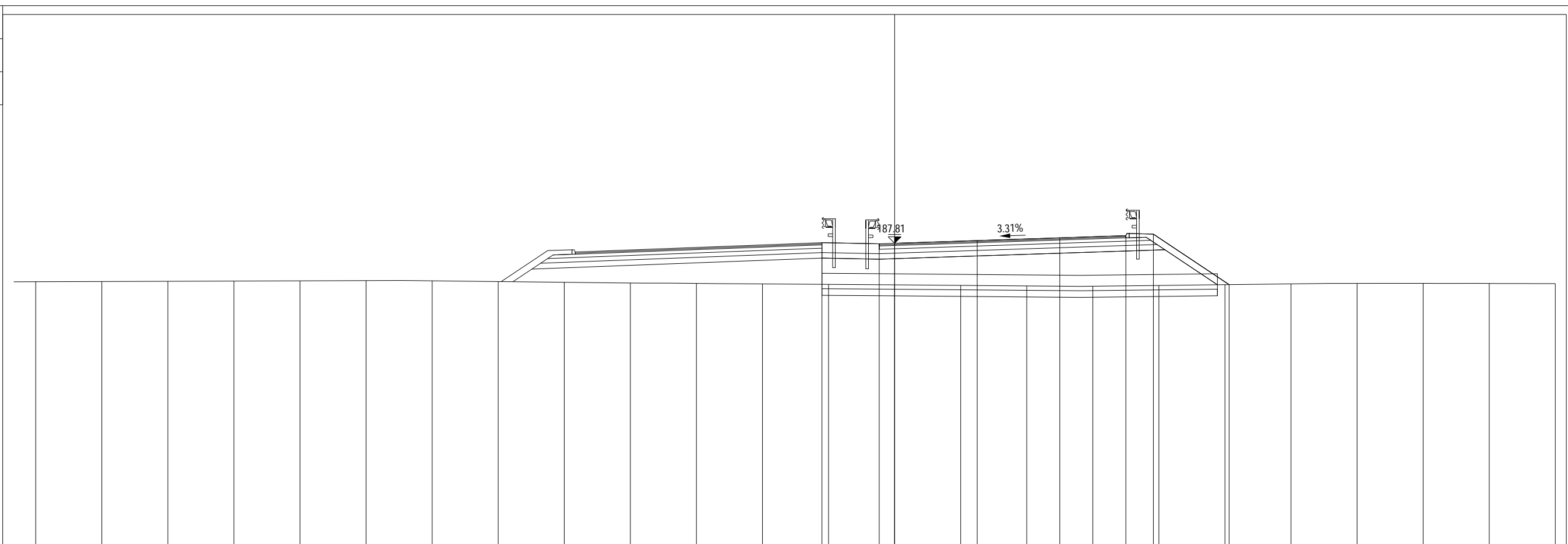


PROFILO 2.6a\_CUNEO

SEZIONE 40

PROGRESSIVA 765.93

A RILEVATO	m <sup>2</sup>	23.48
AN ANTICAPILLARE	m <sup>2</sup>	9.00
C BINDER	m <sup>2</sup>	0.56
D BASE	m <sup>2</sup>	1.83
MC MISTO CEMENTATO	m <sup>2</sup>	3.68
MS MISTO STABILIZZATO	m <sup>2</sup>	3.86
VR VEGETALE RIL	m <sup>2</sup>	1.36
a USURA	m	11.21
br BONIFICA	m	18.00
sc SCOTICO	m	18.00
tn TNT	m	18.00



PROGRESSIVE TERRENO

-39.00	-36.00	-33.00	-30.00	-27.00	-24.00	-21.00	-18.00	-15.00	-12.00	-9.00	-6.00	-3.00	0.00	3.00	6.00	9.00	12.00	15.00	18.00	21.00	24.00	27.00	30.00
--------	--------	--------	--------	--------	--------	--------	--------	--------	--------	-------	-------	-------	------	------	------	------	-------	-------	-------	-------	-------	-------	-------

PARZIALI TERRENO

3.00	3.00	3.00	3.00	3.00	3.00	3.00	3.00	3.00	3.00	3.00	3.00	3.00	3.00	3.00	3.00	3.00	3.00	3.00	3.00	3.00	3.00	3.00	3.00
------	------	------	------	------	------	------	------	------	------	------	------	------	------	------	------	------	------	------	------	------	------	------	------

QUOTE TERRENO

186.06	186.07	186.08	186.09	186.10	186.11	186.10	186.07	186.04	186.00	185.99	185.96	185.94	185.92	185.90	185.87	185.86	185.89	185.93	185.96	185.99	185.99	185.99	185.98	185.98
--------	--------	--------	--------	--------	--------	--------	--------	--------	--------	--------	--------	--------	--------	--------	--------	--------	--------	--------	--------	--------	--------	--------	--------	--------

PROGRESSIVE PROGETTO

												-3.30	-0.70	0.00	3.75	7.50	10.50	11.75	15.19					
--	--	--	--	--	--	--	--	--	--	--	--	-------	-------	------	------	------	-------	-------	-------	--	--	--	--	--

PARZIALI PROGETTO

												2.60	0.70	3.75	3.75	3.00	1.25	3.44						
--	--	--	--	--	--	--	--	--	--	--	--	------	------	------	------	------	------	------	--	--	--	--	--	--

QUOTE PROGETTO

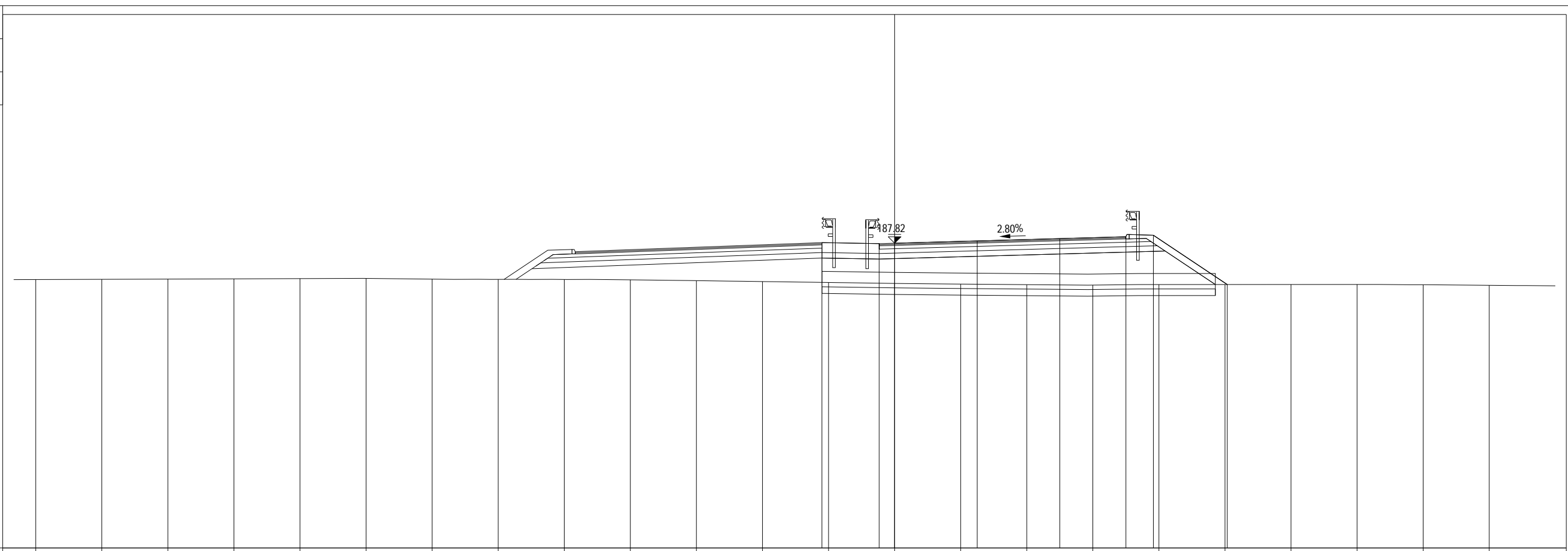
												187.84	187.79	187.81	187.93	188.06	188.16	188.22	185.93					
--	--	--	--	--	--	--	--	--	--	--	--	--------	--------	--------	--------	--------	--------	--------	--------	--	--	--	--	--

PROFILO 2.6a\_CUNEO

SEZIONE 41

PROGRESSIVA 780.97

A RILEVATO	m <sup>2</sup>	22.01
AN ANTICAPILLARE	m <sup>2</sup>	8.98
C BINDER	m <sup>2</sup>	0.56
D BASE	m <sup>2</sup>	1.83
MC MISTO CEMENTATO	m <sup>2</sup>	3.67
MS MISTO STABILIZZATO	m <sup>2</sup>	3.86
VR VEGETALE RIL	m <sup>2</sup>	1.34
a USURA	m	11.20
br BONIFICA	m	17.91
sc SCOTICO	m	17.91
tn TNT	m	17.91



PROGRESSIVE TERRENO

-39.00	-36.00	-33.00	-30.00	-27.00	-24.00	-21.00	-18.00	-15.00	-12.00	-9.00	-6.00	-3.00	0.00	3.00	6.00	9.00	12.00	15.00	18.00	21.00	24.00	27.00
--------	--------	--------	--------	--------	--------	--------	--------	--------	--------	-------	-------	-------	------	------	------	------	-------	-------	-------	-------	-------	-------

PARZIALI TERRENO

3.00	3.00	3.00	3.00	3.00	3.00	3.00	3.00	3.00	3.00	3.00	3.00	3.00	3.00	3.00	3.00	3.00	3.00	3.00	3.00	3.00	3.00	3.00
------	------	------	------	------	------	------	------	------	------	------	------	------	------	------	------	------	------	------	------	------	------	------

QUOTE TERRENO

186.18	186.19	186.20	186.21	186.22	186.23	186.19	186.18	186.18	186.16	186.13	186.08	186.04	186.00	185.97	185.94	185.92	185.95	185.95	185.95	185.95	185.94	185.91
--------	--------	--------	--------	--------	--------	--------	--------	--------	--------	--------	--------	--------	--------	--------	--------	--------	--------	--------	--------	--------	--------	--------

PROGRESSIVE PROGETTO

												-3.30	-0.70	0.00	3.75	7.50	10.50	11.75	15.10			
--	--	--	--	--	--	--	--	--	--	--	--	-------	-------	------	------	------	-------	-------	-------	--	--	--

PARZIALI PROGETTO

												2.60	0.70	3.75	3.75	3.00	1.25	3.35				
--	--	--	--	--	--	--	--	--	--	--	--	------	------	------	------	------	------	------	--	--	--	--

QUOTE PROGETTO

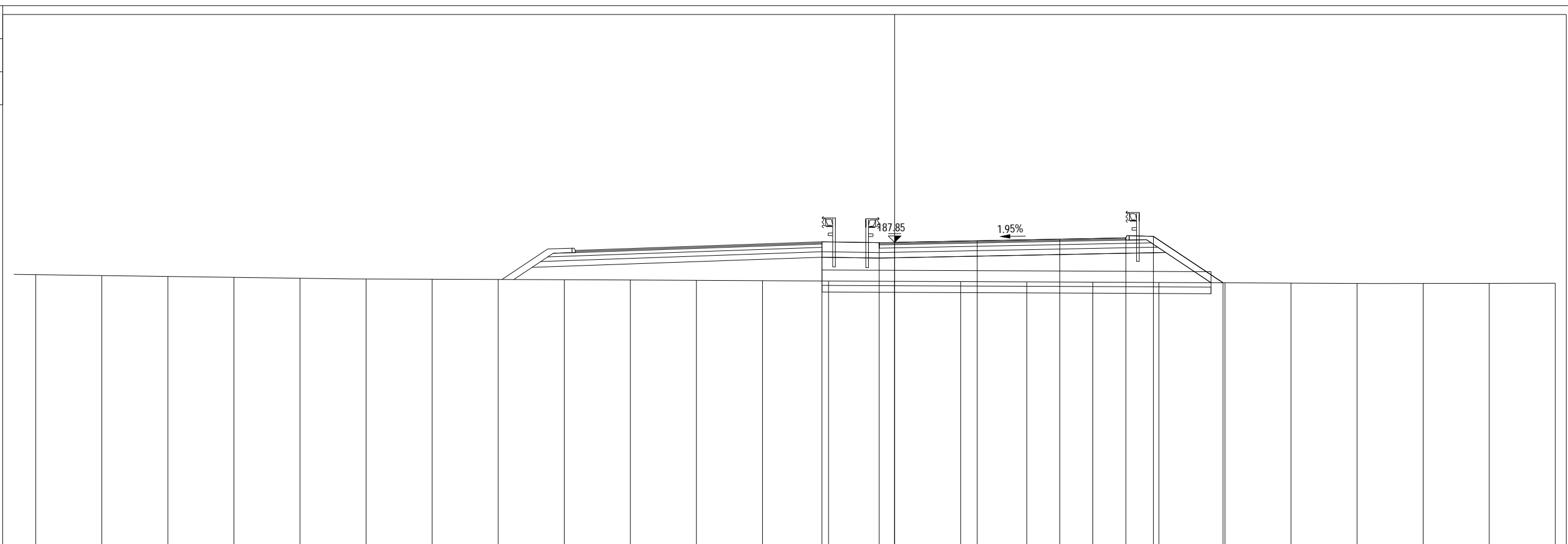
												187.85	187.81	187.82	187.93	188.03	188.12	188.19	185.95			
--	--	--	--	--	--	--	--	--	--	--	--	--------	--------	--------	--------	--------	--------	--------	--------	--	--	--

PROFILO 2.6a\_CUNEO

SEZIONE 42

PROGRESSIVA 806.01

A RILEVATO	m <sup>2</sup>	20.00
AN ANTICAPILLARE	m <sup>2</sup>	8.86
C BINDER	m <sup>2</sup>	0.56
D BASE	m <sup>2</sup>	1.84
MC MISTO CEMENTATO	m <sup>2</sup>	3.68
MS MISTO STABILIZZATO	m <sup>2</sup>	3.86
VR VEGETALE RIL	m <sup>2</sup>	1.27
a USURA	m	11.20
br BONIFICA	m	17.72
sc SCOTICO	m	17.72
tn TNT	m	17.72



PROGRESSIVE TERRENO

-39.00	-36.00	-33.00	-30.00	-27.00	-24.00	-21.00	-18.00	-15.00	-12.00	-9.00	-6.00	-3.00	0.00	3.00	6.00	9.00	12.00	15.00	18.00	21.00	24.00	27.00	30.00
--------	--------	--------	--------	--------	--------	--------	--------	--------	--------	-------	-------	-------	------	------	------	------	-------	-------	-------	-------	-------	-------	-------

PARZIALI TERRENO

3.00	3.00	3.00	3.00	3.00	3.00	3.00	3.00	3.00	3.00	3.00	3.00	3.00	3.00	3.00	3.00	3.00	3.00	3.00	3.00	3.00	3.00	3.00	3.00
------	------	------	------	------	------	------	------	------	------	------	------	------	------	------	------	------	------	------	------	------	------	------	------

QUOTE TERRENO

186.38	186.34	186.30	186.26	186.22	186.19	186.18	186.17	186.15	186.14	186.13	186.11	186.09	186.08	186.07	186.06	186.04	186.03	186.01	186.00	185.99	185.99	185.99	185.99
--------	--------	--------	--------	--------	--------	--------	--------	--------	--------	--------	--------	--------	--------	--------	--------	--------	--------	--------	--------	--------	--------	--------	--------

PROGRESSIVE PROGETTO

												-3.30	-0.70	0.00	3.75	7.50	10.50	11.75	14.91				
--	--	--	--	--	--	--	--	--	--	--	--	-------	-------	------	------	------	-------	-------	-------	--	--	--	--

PARZIALI PROGETTO

												2.60	0.70	3.75	3.75	3.00	1.25	3.16					
--	--	--	--	--	--	--	--	--	--	--	--	------	------	------	------	------	------	------	--	--	--	--	--

QUOTE PROGETTO

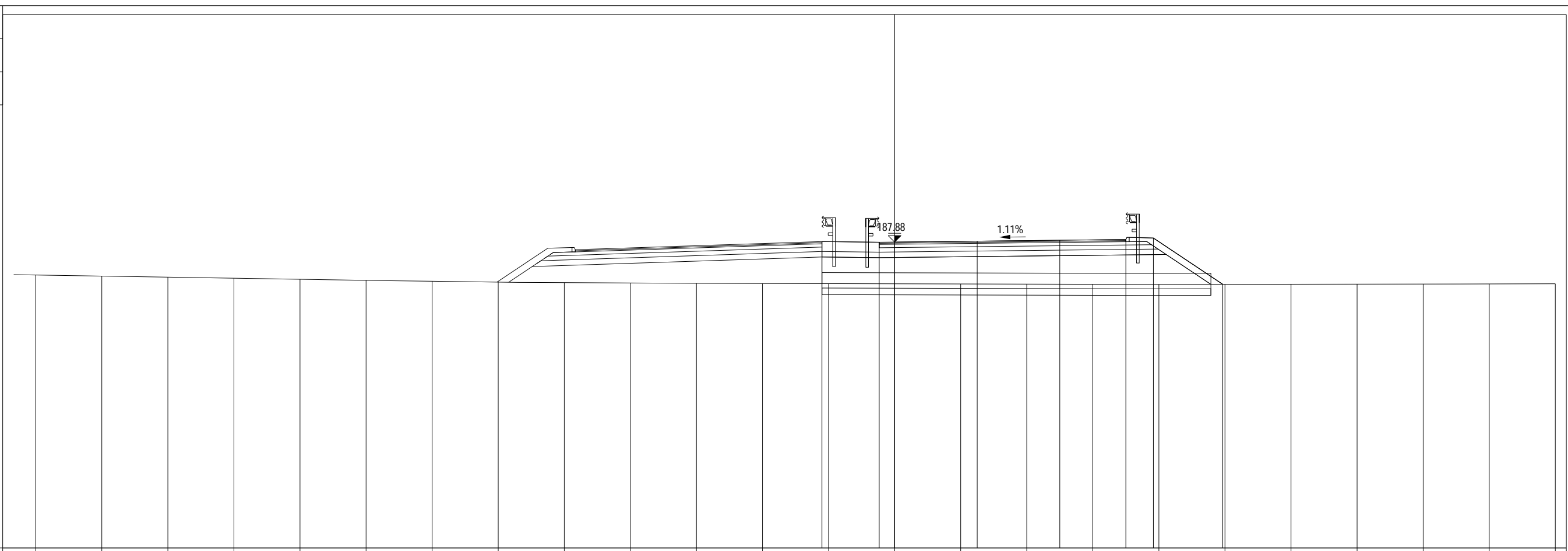
												187.88	187.84	187.85	187.92	188.00	188.06	188.12	186.01				
--	--	--	--	--	--	--	--	--	--	--	--	--------	--------	--------	--------	--------	--------	--------	--------	--	--	--	--

PROFILO 2.6a\_CUNEO

SEZIONE 43

PROGRESSIVA 831.05

A RILEVATO	m <sup>2</sup>	21.16
AN ANTICAPILLARE	m <sup>2</sup>	8.85
C BINDER	m <sup>2</sup>	0.56
D BASE	m <sup>2</sup>	1.83
MC MISTO CEMENTATO	m <sup>2</sup>	3.69
MS MISTO STABILIZZATO	m <sup>2</sup>	3.88
VR VEGETALE RIL	m <sup>2</sup>	1.28
a USURA	m	11.20
br BONIFICA	m	17.71
sc SCOTICO	m	17.71
tn TNT	m	17.71



PROGRESSIVE TERRENO

-39.00	-36.00	-33.00	-30.00	-27.00	-24.00	-21.00	-18.00	-15.00	-12.00	-9.00	-6.00	-3.00	0.00	3.00	6.00	9.00	12.00	15.00	18.00	21.00	24.00	27.00	30.00
--------	--------	--------	--------	--------	--------	--------	--------	--------	--------	-------	-------	-------	------	------	------	------	-------	-------	-------	-------	-------	-------	-------

PARZIALI TERRENO

3.00	3.00	3.00	3.00	3.00	3.00	3.00	3.00	3.00	3.00	3.00	3.00	3.00	3.00	3.00	3.00	3.00	3.00	3.00	3.00	3.00	3.00	3.00	3.00
------	------	------	------	------	------	------	------	------	------	------	------	------	------	------	------	------	------	------	------	------	------	------	------

QUOTE TERRENO

186.38	186.33	186.28	186.24	186.19	186.14	186.10	186.06	186.04	186.02	186.01	186.00	185.99	185.98	185.98	185.97	185.96	185.96	185.96	185.96	185.96	185.97	185.97	185.98	185.98
--------	--------	--------	--------	--------	--------	--------	--------	--------	--------	--------	--------	--------	--------	--------	--------	--------	--------	--------	--------	--------	--------	--------	--------	--------

PROGRESSIVE PROGETTO

												-3.30	-0.70	0.00		3.75	7.50	10.50	11.75		14.90			
--	--	--	--	--	--	--	--	--	--	--	--	-------	-------	------	--	------	------	-------	-------	--	-------	--	--	--

PARZIALI PROGETTO

												2.60	0.70	3.75	3.75	3.00	1.25	3.15						
--	--	--	--	--	--	--	--	--	--	--	--	------	------	------	------	------	------	------	--	--	--	--	--	--

QUOTE PROGETTO

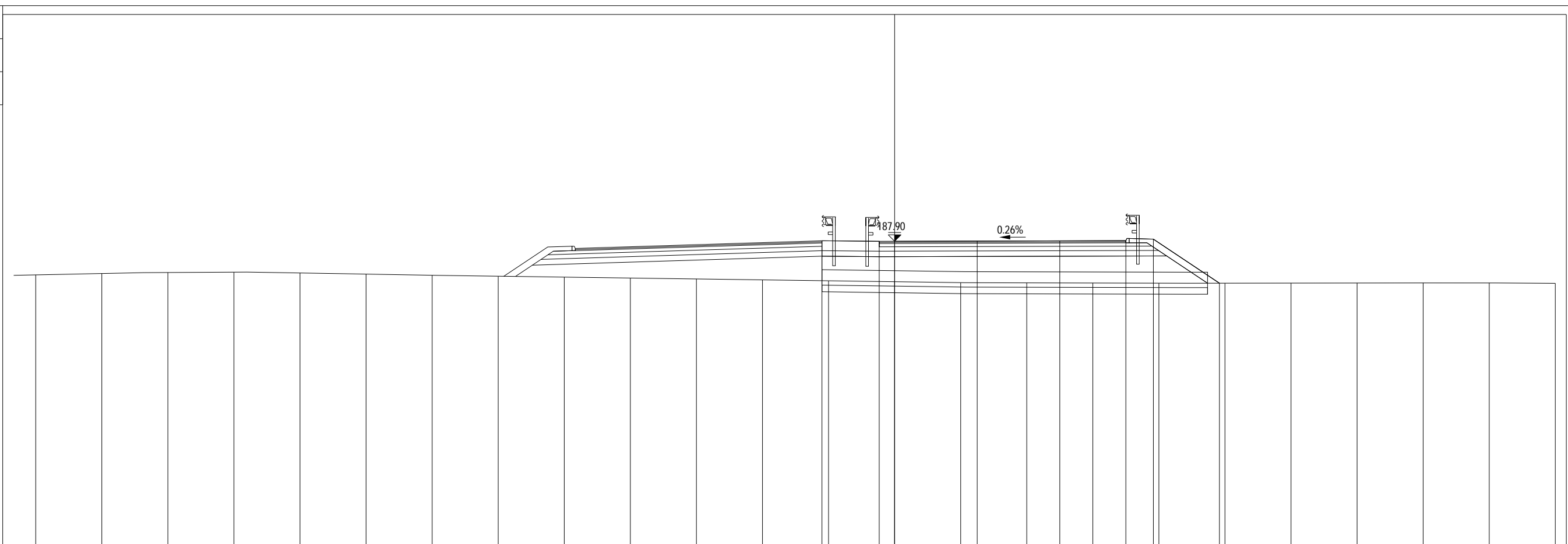
												187.90	187.87	187.88		187.92	187.96	187.99	188.06		185.96			
--	--	--	--	--	--	--	--	--	--	--	--	--------	--------	--------	--	--------	--------	--------	--------	--	--------	--	--	--

PROFILO 2.6a\_CUNEO

SEZIONE 44

PROGRESSIVA 856.08

A RILEVATO	m <sup>2</sup>	19.77
AN ANTICAPILLARE	m <sup>2</sup>	8.78
C BINDER	m <sup>2</sup>	0.56
D BASE	m <sup>2</sup>	1.84
MC MISTO CEMENTATO	m <sup>2</sup>	3.69
MS MISTO STABILIZZATO	m <sup>2</sup>	3.87
VR VEGETALE RIL	m <sup>2</sup>	1.22
a USURA	m	11.20
br BONIFICA	m	17.56
sc SCOTICO	m	17.56
tn TNT	m	17.56



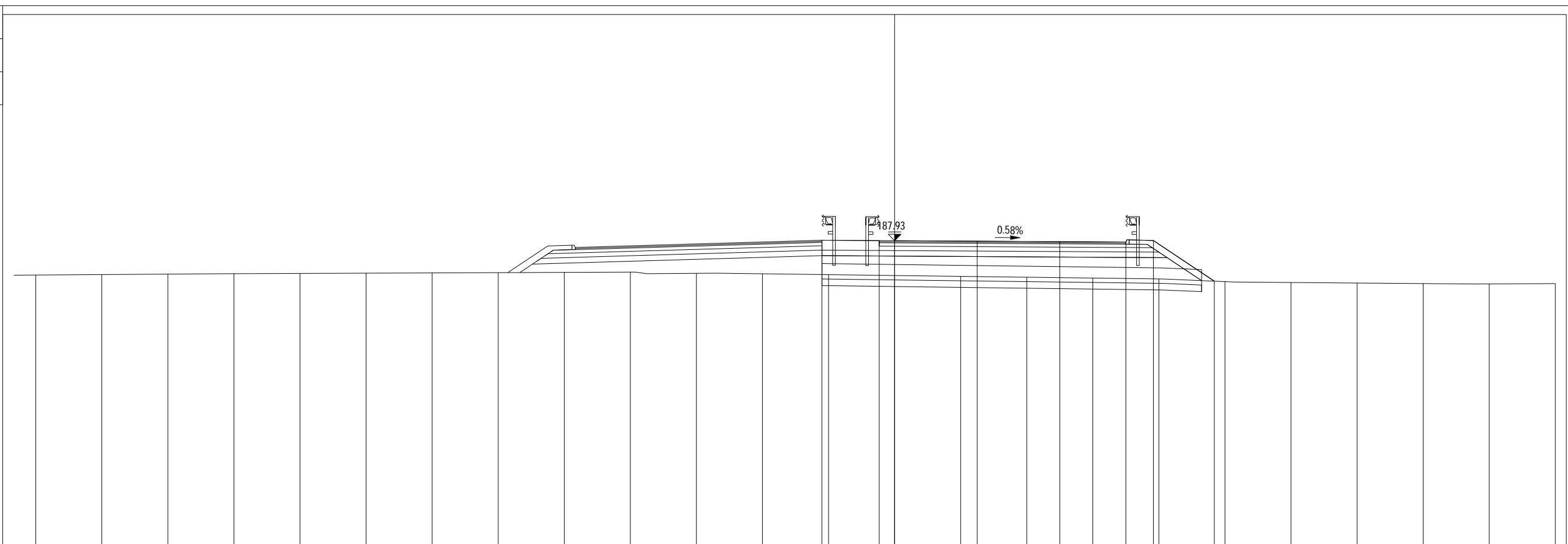
PROGRESSIVE TERRENO	-39.00	-36.00	-33.00	-30.00	-27.00	-24.00	-21.00	-18.00	-15.00	-12.00	-9.00	-6.00	-3.00	0.00	3.00	6.00	9.00	12.00	15.00	18.00	21.00	24.00	27.00	30.00
PARZIALI TERRENO		3.00	3.00	3.00	3.00	3.00	3.00	3.00	3.00	3.00	3.00	3.00	3.00	3.00	3.00	3.00	3.00	3.00	3.00	3.00	3.00	3.00	3.00	3.00
QUOTE TERRENO	186.37	186.44	186.48	186.50	186.46	186.41	186.36	186.31	186.27	186.23	186.19	186.15	186.11	186.06	186.02	186.01	186.01	186.00	186.00	186.00	186.01	186.01	186.01	185.99
PROGRESSIVE PROGETTO													-3.30	-0.70	0.00	3.75	7.50	10.50	11.75	14.75				
PARZIALI PROGETTO													2.60	0.70	3.75	3.75	3.00	1.25	3.00					
QUOTE PROGETTO													187.92	187.90	187.90	187.91	187.92	187.93	188.00	186.00				

PROFILO 2.6a\_CUNEO

SEZIONE 45

PROGRESSIVA 881.10

A RILEVATO	m <sup>2</sup>	15.15
AN ANTICAPILLARE	m <sup>2</sup>	8.65
C BINDER	m <sup>2</sup>	0.56
D BASE	m <sup>2</sup>	1.86
MC MISTO CEMENTATO	m <sup>2</sup>	3.69
MS MISTO STABILIZZATO	m <sup>2</sup>	3.88
VR VEGETALE RIL	m <sup>2</sup>	1.13
a USURA	m	11.20
br BONIFICA	m	17.29
sc SCOTICO	m	17.29
tn TNT	m	17.29



PROGRESSIVE TERRENO

-39.00	-36.00	-33.00	-30.00	-27.00	-24.00	-21.00	-18.00	-15.00	-12.00	-9.00	-6.00	-3.00	0.00	3.00	6.00	9.00	12.00	15.00	18.00	21.00	24.00	27.00	30.00
--------	--------	--------	--------	--------	--------	--------	--------	--------	--------	-------	-------	-------	------	------	------	------	-------	-------	-------	-------	-------	-------	-------

PARZIALI TERRENO

3.00	3.00	3.00	3.00	3.00	3.00	3.00	3.00	3.00	3.00	3.00	3.00	3.00	3.00	3.00	3.00	3.00	3.00	3.00	3.00	3.00	3.00	3.00	3.00
------	------	------	------	------	------	------	------	------	------	------	------	------	------	------	------	------	------	------	------	------	------	------	------

QUOTE TERRENO

186.37	186.39	186.41	186.43	186.44	186.45	186.46	186.48	186.49	186.50	186.44	186.42	186.38	186.35	186.31	186.27	186.23	186.19	186.07	186.03	186.00	185.98	185.96	185.98
--------	--------	--------	--------	--------	--------	--------	--------	--------	--------	--------	--------	--------	--------	--------	--------	--------	--------	--------	--------	--------	--------	--------	--------

PROGRESSIVE PROGETTO

												-3.30	-0.70	0.00		3.75	7.50	10.50	11.75	14.52			
--	--	--	--	--	--	--	--	--	--	--	--	-------	-------	------	--	------	------	-------	-------	-------	--	--	--

PARZIALI PROGETTO

												2.60	0.70	3.75	3.75	3.00	1.25	2.77					
--	--	--	--	--	--	--	--	--	--	--	--	------	------	------	------	------	------	------	--	--	--	--	--

QUOTE PROGETTO

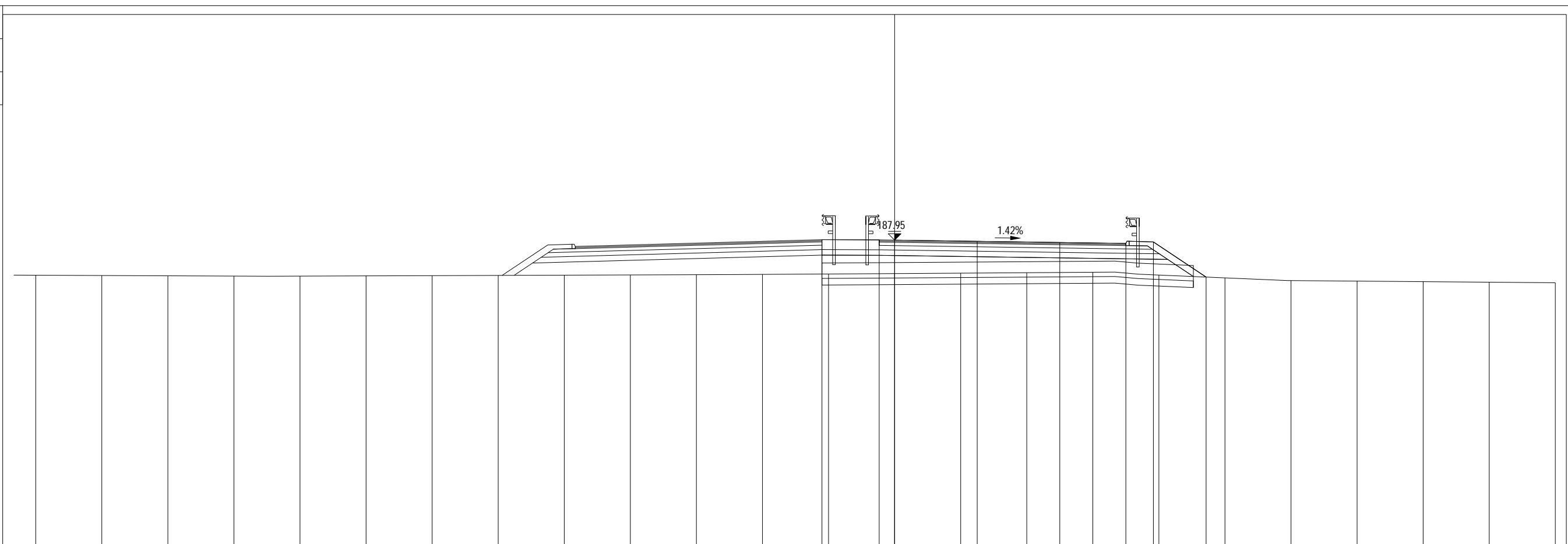
												187.95	187.93	187.93		187.91	187.88	187.87	187.93	186.09			
--	--	--	--	--	--	--	--	--	--	--	--	--------	--------	--------	--	--------	--------	--------	--------	--------	--	--	--

PROFILO 2.6a\_CUNEO

SEZIONE 46

PROGRESSIVA 906.12

A RILEVATO	m <sup>2</sup>	11.98
AN ANTICAPILLARE	m <sup>2</sup>	8.44
C BINDER	m <sup>2</sup>	0.56
D BASE	m <sup>2</sup>	1.85
MC MISTO CEMENTATO	m <sup>2</sup>	3.70
MS MISTO STABILIZZATO	m <sup>2</sup>	3.88
VR VEGETALE RIL	m <sup>2</sup>	1.00
a USURA	m	11.20
br BONIFICA	m	16.92
sc SCOTICO	m	16.92
tn TNT	m	16.92



PROGRESSIVE TERRENO

-39.00	-36.00	-33.00	-30.00	-27.00	-24.00	-21.00	-18.00	-15.00	-12.00	-9.00	-6.00	-3.00	0.00	3.00	6.00	9.00	12.00	15.00	18.00	21.00	24.00	27.00	30.00
--------	--------	--------	--------	--------	--------	--------	--------	--------	--------	-------	-------	-------	------	------	------	------	-------	-------	-------	-------	-------	-------	-------

PARZIALI TERRENO

3.00	3.00	3.00	3.00	3.00	3.00	3.00	3.00	3.00	3.00	3.00	3.00	3.00	3.00	3.00	3.00	3.00	3.00	3.00	3.00	3.00	3.00	3.00	3.00
------	------	------	------	------	------	------	------	------	------	------	------	------	------	------	------	------	------	------	------	------	------	------	------

QUOTE TERRENO

186.36	186.35	186.33	186.32	186.32	186.33	186.34	186.35	186.36	186.37	186.38	186.40	186.41	186.43	186.45	186.47	186.49	186.37	186.24	186.12	186.09	186.07	186.04	186.02
--------	--------	--------	--------	--------	--------	--------	--------	--------	--------	--------	--------	--------	--------	--------	--------	--------	--------	--------	--------	--------	--------	--------	--------

PROGRESSIVE PROGETTO

												-3.30	-0.70	0.00	3.75	7.50	10.50	11.75	14.14				
--	--	--	--	--	--	--	--	--	--	--	--	-------	-------	------	------	------	-------	-------	-------	--	--	--	--

PARZIALI PROGETTO

												2.60	0.70	3.75	3.75	3.00	1.25	2.39					
--	--	--	--	--	--	--	--	--	--	--	--	------	------	------	------	------	------	------	--	--	--	--	--

QUOTE PROGETTO

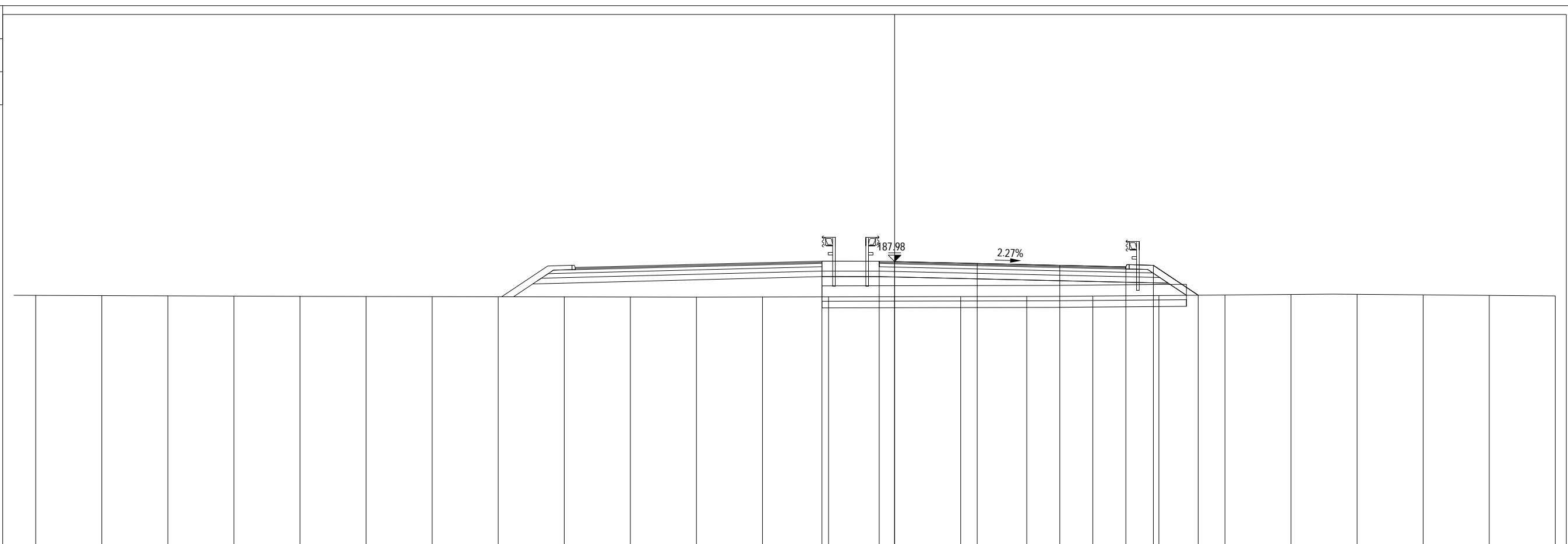
												187.97	187.96	187.95	187.90	187.85	187.80	187.87	186.27				
--	--	--	--	--	--	--	--	--	--	--	--	--------	--------	--------	--------	--------	--------	--------	--------	--	--	--	--

PROFILO 2.6a\_CUNEO

SEZIONE 47

PROGRESSIVA 931.12

A RILEVATO	m <sup>2</sup>	12.34
AN ANTICAPILLARE	m <sup>2</sup>	8.29
C BINDER	m <sup>2</sup>	0.56
D BASE	m <sup>2</sup>	1.86
MC MISTO CEMENTATO	m <sup>2</sup>	3.70
MS MISTO STABILIZZATO	m <sup>2</sup>	3.89
VR VEGETALE RIL	m <sup>2</sup>	0.88
a USURA	m	11.20
br BONIFICA	m	16.60
sc SCOTICO	m	16.60
tn TNT	m	16.60



PROGRESSIVE TERRENO

-39.00	-36.00	-33.00	-30.00	-27.00	-24.00	-21.00	-18.00	-15.00	-12.00	-9.00	-6.00	-3.00	0.00	3.00	6.00	9.00	12.00	15.00	18.00	21.00	24.00	27.00	30.00
--------	--------	--------	--------	--------	--------	--------	--------	--------	--------	-------	-------	-------	------	------	------	------	-------	-------	-------	-------	-------	-------	-------

PARZIALI TERRENO

3.00	3.00	3.00	3.00	3.00	3.00	3.00	3.00	3.00	3.00	3.00	3.00	3.00	3.00	3.00	3.00	3.00	3.00	3.00	3.00	3.00	3.00	3.00	3.00
------	------	------	------	------	------	------	------	------	------	------	------	------	------	------	------	------	------	------	------	------	------	------	------

QUOTE TERRENO

186.44	186.43	186.42	186.41	186.40	186.39	186.39	186.38	186.38	186.37	186.36	186.37	186.38	186.38	186.39	186.39	186.41	186.44	186.46	186.48	186.49	186.47	186.44	186.42
--------	--------	--------	--------	--------	--------	--------	--------	--------	--------	--------	--------	--------	--------	--------	--------	--------	--------	--------	--------	--------	--------	--------	--------

PROGRESSIVE PROGETTO

												-3.30	-0.70	0.00		3.75	7.50	10.50	11.75	13.78			
--	--	--	--	--	--	--	--	--	--	--	--	-------	-------	------	--	------	------	-------	-------	-------	--	--	--

PARZIALI PROGETTO

												2.60	0.70	3.75	3.75	3.00	1.25	2.03					
--	--	--	--	--	--	--	--	--	--	--	--	------	------	------	------	------	------	------	--	--	--	--	--

QUOTE PROGETTO

												188.00	187.99	187.98		187.89	187.81	187.74	187.81	186.45			
--	--	--	--	--	--	--	--	--	--	--	--	--------	--------	--------	--	--------	--------	--------	--------	--------	--	--	--

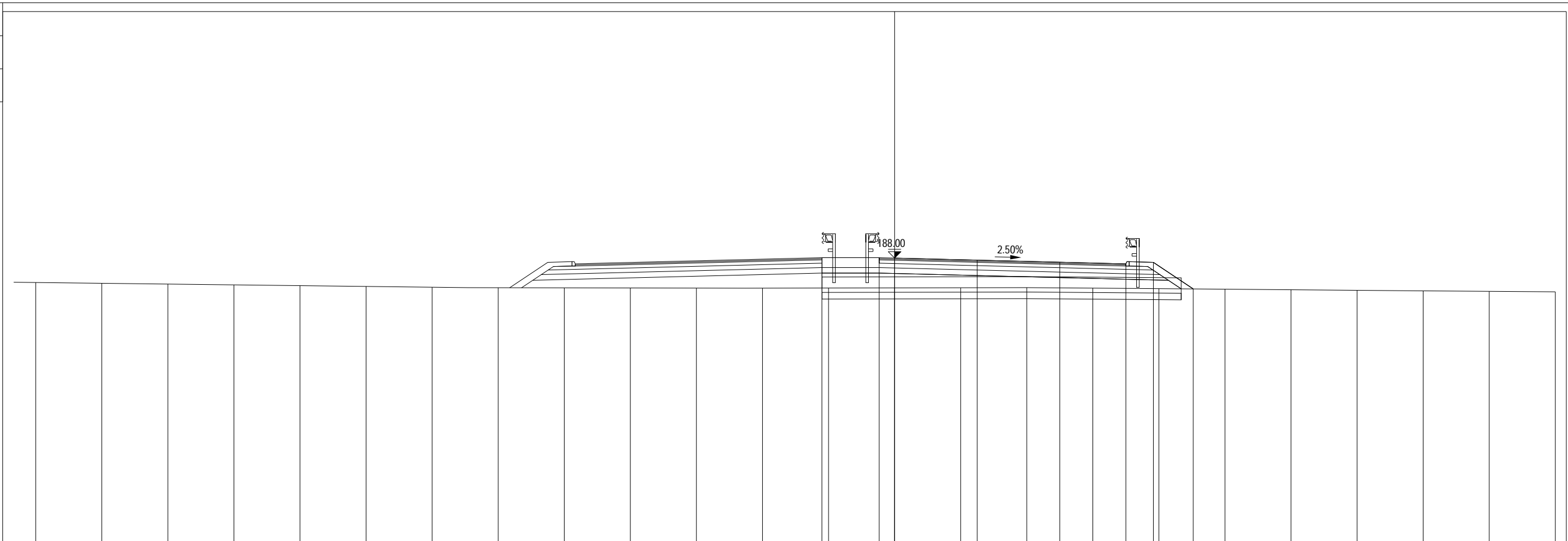


PROFILO 2.6a\_CUNEO

SEZIONE 48

PROGRESSIVA 956.12

A RILEVATO	m <sup>2</sup>	8.60
AN ANTICAPILLARE	m <sup>2</sup>	8.18
C BINDER	m <sup>2</sup>	0.56
D BASE	m <sup>2</sup>	1.86
MC MISTO CEMENTATO	m <sup>2</sup>	3.70
MS MISTO STABILIZZATO	m <sup>2</sup>	3.90
VR VEGETALE RIL	m <sup>2</sup>	0.81
a USURA	m	11.20
br BONIFICA	m	16.36
sc SCOTICO	m	16.36
tn TNT	m	16.36



PROGRESSIVE TERRENO

-39.00	-36.00	-33.00	-30.00	-27.00	-24.00	-21.00	-18.00	-15.00	-12.00	-9.00	-6.00	-3.00	0.00	3.00	6.00	9.00	12.00	15.00	18.00	21.00	24.00	27.00	30.00
--------	--------	--------	--------	--------	--------	--------	--------	--------	--------	-------	-------	-------	------	------	------	------	-------	-------	-------	-------	-------	-------	-------

PARZIALI TERRENO

3.00	3.00	3.00	3.00	3.00	3.00	3.00	3.00	3.00	3.00	3.00	3.00	3.00	3.00	3.00	3.00	3.00	3.00	3.00	3.00	3.00	3.00	3.00	3.00
------	------	------	------	------	------	------	------	------	------	------	------	------	------	------	------	------	------	------	------	------	------	------	------

QUOTE TERRENO

186.89	186.86	186.82	186.79	186.75	186.71	186.68	186.66	186.65	186.65	186.64	186.64	186.64	186.65	186.65	186.66	186.64	186.61	186.59	186.56	186.54	186.51	186.49	186.47
--------	--------	--------	--------	--------	--------	--------	--------	--------	--------	--------	--------	--------	--------	--------	--------	--------	--------	--------	--------	--------	--------	--------	--------

PROGRESSIVE PROGETTO

												-3.30	-0.70	0.00		3.75	7.50	10.50	11.75	13.56			
--	--	--	--	--	--	--	--	--	--	--	--	-------	-------	------	--	------	------	-------	-------	-------	--	--	--

PARZIALI PROGETTO

												2.60	0.70	3.75	3.75	3.00	1.25	1.81					
--	--	--	--	--	--	--	--	--	--	--	--	------	------	------	------	------	------	------	--	--	--	--	--

QUOTE PROGETTO

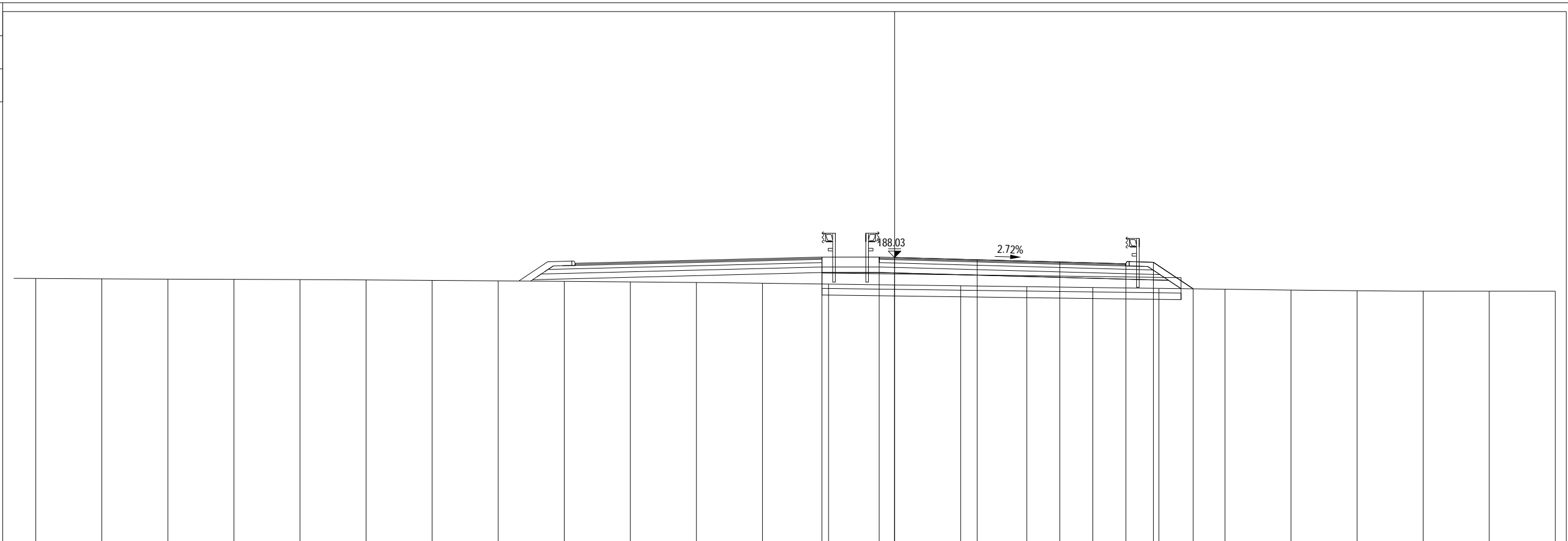
												188.02	188.02	188.00		187.91	187.82	187.74	187.81	186.60			
--	--	--	--	--	--	--	--	--	--	--	--	--------	--------	--------	--	--------	--------	--------	--------	--------	--	--	--

PROFILO 2.6a\_CUNEO

SEZIONE 49

PROGRESSIVA 981.12

A RILEVATO	m <sup>2</sup>	7.59
AN ANTICAPILLARE	m <sup>2</sup>	8.18
C BINDER	m <sup>2</sup>	0.56
D BASE	m <sup>2</sup>	1.86
MC MISTO CEMENTATO	m <sup>2</sup>	3.70
MS MISTO STABILIZZATO	m <sup>2</sup>	3.90
VR VEGETALE RIL	m <sup>2</sup>	0.81
a USURA	m	11.20
br BONIFICA	m	16.35
sc SCOTICO	m	16.35
tn TNT	m	16.35



PROGRESSIVE TERRENO

-39.00	-36.00	-33.00	-30.00	-27.00	-24.00	-21.00	-18.00	-15.00	-12.00	-9.00	-6.00	-3.00	0.00	3.00	6.00	9.00	12.00	15.00	18.00	21.00	24.00	27.00	30.00
--------	--------	--------	--------	--------	--------	--------	--------	--------	--------	-------	-------	-------	------	------	------	------	-------	-------	-------	-------	-------	-------	-------

PARZIALI TERRENO

3.00	3.00	3.00	3.00	3.00	3.00	3.00	3.00	3.00	3.00	3.00	3.00	3.00	3.00	3.00	3.00	3.00	3.00	3.00	3.00	3.00	3.00	3.00	3.00
------	------	------	------	------	------	------	------	------	------	------	------	------	------	------	------	------	------	------	------	------	------	------	------

QUOTE TERRENO

187.08	187.06	187.05	187.04	187.03	187.01	186.99	186.97	186.94	186.92	186.89	186.86	186.82	186.78	186.74	186.70	186.67	186.63	186.59	186.55	186.52	186.50	186.50	186.50
--------	--------	--------	--------	--------	--------	--------	--------	--------	--------	--------	--------	--------	--------	--------	--------	--------	--------	--------	--------	--------	--------	--------	--------

PROGRESSIVE PROGETTO

												-3.30	-0.70	0.00		3.75	7.50	10.50	11.75	13.56			
--	--	--	--	--	--	--	--	--	--	--	--	-------	-------	------	--	------	------	-------	-------	-------	--	--	--

PARZIALI PROGETTO

												2.60	0.70	3.75	3.75	3.00	1.25	1.81					
--	--	--	--	--	--	--	--	--	--	--	--	------	------	------	------	------	------	------	--	--	--	--	--

QUOTE PROGETTO

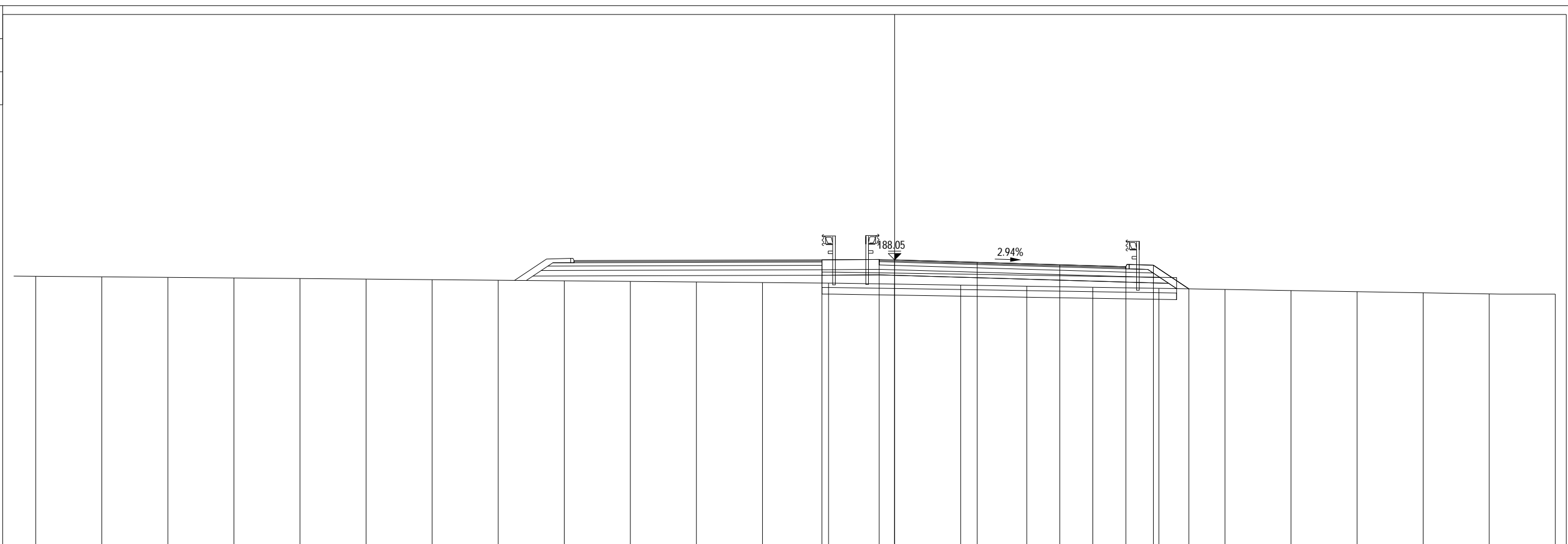
												188.05	188.05	188.03		187.93	187.83	187.74	187.81	186.61			
--	--	--	--	--	--	--	--	--	--	--	--	--------	--------	--------	--	--------	--------	--------	--------	--------	--	--	--

PROFILO 2.6a\_CUNEO

SEZIONE 50

PROGRESSIVA 1006.12

A RILEVATO	m <sup>2</sup>	5.33
AN ANTICAPILLARE	m <sup>2</sup>	8.08
C BINDER	m <sup>2</sup>	0.56
D BASE	m <sup>2</sup>	1.86
MC MISTO CEMENTATO	m <sup>2</sup>	3.70
MS MISTO STABILIZZATO	m <sup>2</sup>	3.90
VR VEGETALE RIL	m <sup>2</sup>	0.72
a USURA	m	11.20
br BONIFICA	m	16.15
sc SCOTICO	m	16.15
tn TNT	m	16.15



PROGRESSIVE TERRENO

-39.00	-36.00	-33.00	-30.00	-27.00	-24.00	-21.00	-18.00	-15.00	-12.00	-9.00	-6.00	-3.00	0.00	3.00	6.00	9.00	12.00	15.00	18.00	21.00	24.00	27.00	30.00
--------	--------	--------	--------	--------	--------	--------	--------	--------	--------	-------	-------	-------	------	------	------	------	-------	-------	-------	-------	-------	-------	-------

PARZIALI TERRENO

3.00	3.00	3.00	3.00	3.00	3.00	3.00	3.00	3.00	3.00	3.00	3.00	3.00	3.00	3.00	3.00	3.00	3.00	3.00	3.00	3.00	3.00	3.00	3.00
------	------	------	------	------	------	------	------	------	------	------	------	------	------	------	------	------	------	------	------	------	------	------	------

QUOTE TERRENO

187.31	187.29	187.26	187.23	187.21	187.18	187.16	187.13	187.10	187.08	187.05	187.03	187.00	186.96	186.91	186.86	186.81	186.76	186.71	186.66	186.61	186.56	186.51	186.50
--------	--------	--------	--------	--------	--------	--------	--------	--------	--------	--------	--------	--------	--------	--------	--------	--------	--------	--------	--------	--------	--------	--------	--------

PROGRESSIVE PROGETTO

												-3.30	-0.70	0.00	3.75	7.50	10.50	11.75	13.36				
--	--	--	--	--	--	--	--	--	--	--	--	-------	-------	------	------	------	-------	-------	-------	--	--	--	--

PARZIALI PROGETTO

													2.60	0.70	3.75	3.75	3.00	1.25	1.61				
--	--	--	--	--	--	--	--	--	--	--	--	--	------	------	------	------	------	------	------	--	--	--	--

QUOTE PROGETTO

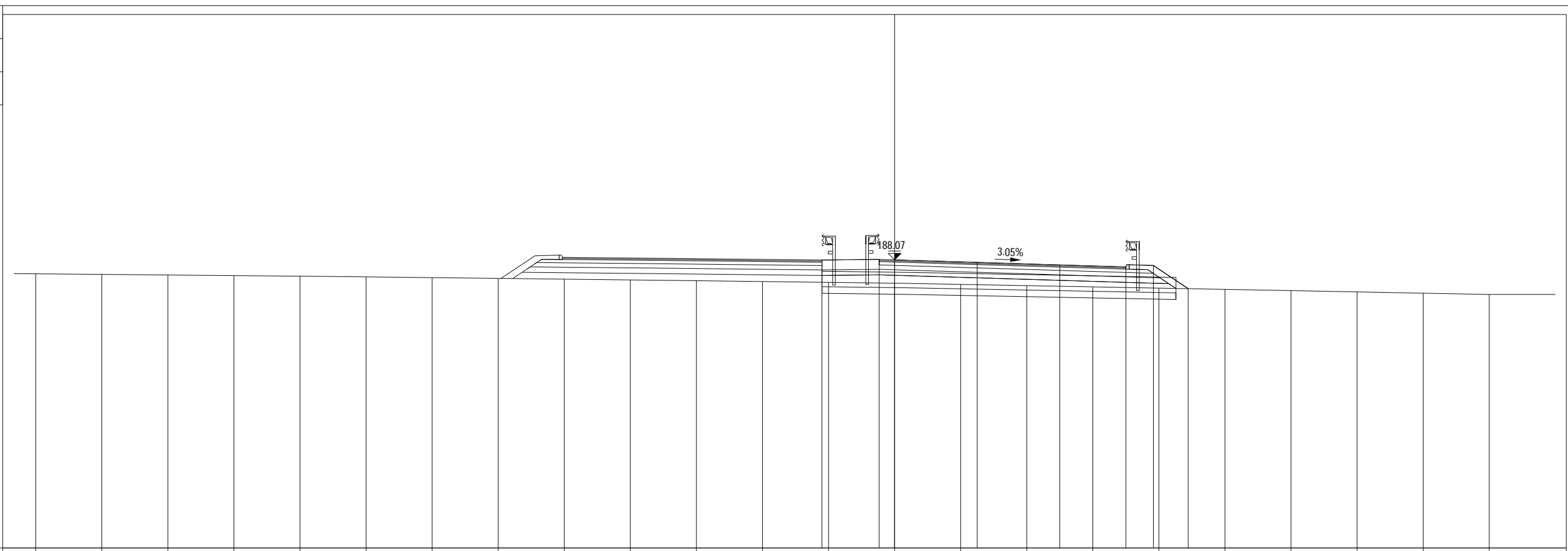
												188.06	188.08	188.05	187.94	187.83	187.75	187.81	186.74				
--	--	--	--	--	--	--	--	--	--	--	--	--------	--------	--------	--------	--------	--------	--------	--------	--	--	--	--

PROFILO 2.6a\_CUNEO

SEZIONE 51

PROGRESSIVA 1019.41

- A RILEVATO m<sup>2</sup> 4.71
- AN ANTICAPILLARE m<sup>2</sup> 8.06
- C BINDER m<sup>2</sup> 0.56
- D BASE m<sup>2</sup> 1.86
- MC MISTO CEMENTATO m<sup>2</sup> 3.70
- MS MISTO STABILIZZATO m<sup>2</sup> 3.90
- VR VEGETALE RIL m<sup>2</sup> 0.71
- a USURA m 11.21
- br BONIFICA m 16.12
- sc SCOTICO m 16.12
- tn TNT m 16.12



PROGRESSIVE TERRENO

-39.00	-36.00	-33.00	-30.00	-27.00	-24.00	-21.00	-18.00	-15.00	-12.00	-9.00	-6.00	-3.00	0.00	3.00	6.00	9.00	12.00	15.00	18.00	21.00	24.00	27.00
--------	--------	--------	--------	--------	--------	--------	--------	--------	--------	-------	-------	-------	------	------	------	------	-------	-------	-------	-------	-------	-------

PARZIALI TERRENO

3.00	3.00	3.00	3.00	3.00	3.00	3.00	3.00	3.00	3.00	3.00	3.00	3.00	3.00	3.00	3.00	3.00	3.00	3.00	3.00	3.00	3.00	3.00
------	------	------	------	------	------	------	------	------	------	------	------	------	------	------	------	------	------	------	------	------	------	------

QUOTE TERRENO

187.44	187.41	187.38	187.35	187.33	187.30	187.26	187.23	187.19	187.16	187.12	187.09	187.05	187.01	186.96	186.90	186.84	186.79	186.73	186.67	186.61	186.56	186.50
--------	--------	--------	--------	--------	--------	--------	--------	--------	--------	--------	--------	--------	--------	--------	--------	--------	--------	--------	--------	--------	--------	--------

PROGRESSIVE PROGETTO

												-3.30	-0.70	0.00	3.75	7.50	10.50	11.75	13.33			
--	--	--	--	--	--	--	--	--	--	--	--	-------	-------	------	------	------	-------	-------	-------	--	--	--

PARZIALI PROGETTO

												2.60	0.70	3.75	3.75	3.00	1.25	1.58				
--	--	--	--	--	--	--	--	--	--	--	--	------	------	------	------	------	------	------	--	--	--	--

QUOTE PROGETTO

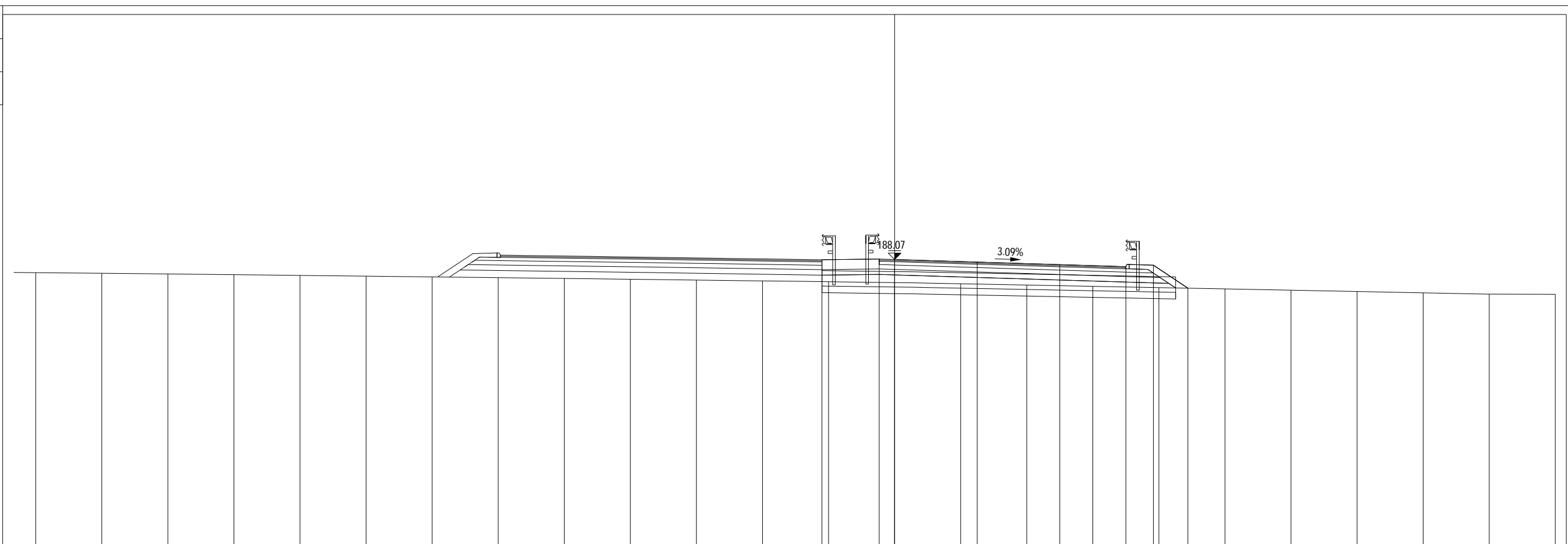
												188.06	188.09	188.07	187.95	187.84	187.75	187.81	186.76			
--	--	--	--	--	--	--	--	--	--	--	--	--------	--------	--------	--------	--------	--------	--------	--------	--	--	--

PROFILO 2.6a\_CUNEO

SEZIONE 52

PROGRESSIVA 1023.20

A RILEVATO	m <sup>2</sup>	4.54
AN ANTICAPILLARE	m <sup>2</sup>	8.06
C BINDER	m <sup>2</sup>	0.56
D BASE	m <sup>2</sup>	1.86
MC MISTO CEMENTATO	m <sup>2</sup>	3.70
MS MISTO STABILIZZATO	m <sup>2</sup>	3.90
VR VEGETALE RIL	m <sup>2</sup>	0.72
a USURA	m	11.21
br BONIFICA	m	16.11
sc SCOTICO	m	16.11
tn TNT	m	16.11



PROGRESSIVE TERRENO

-39.00	-36.00	-33.00	-30.00	-27.00	-24.00	-21.00	-18.00	-15.00	-12.00	-9.00	-6.00	-3.00	0.00	3.00	6.00	9.00	12.00	15.00	18.00	21.00	24.00	27.00	30.00
--------	--------	--------	--------	--------	--------	--------	--------	--------	--------	-------	-------	-------	------	------	------	------	-------	-------	-------	-------	-------	-------	-------

PARZIALI TERRENO

3.00	3.00	3.00	3.00	3.00	3.00	3.00	3.00	3.00	3.00	3.00	3.00	3.00	3.00	3.00	3.00	3.00	3.00	3.00	3.00	3.00	3.00	3.00	3.00
------	------	------	------	------	------	------	------	------	------	------	------	------	------	------	------	------	------	------	------	------	------	------	------

QUOTE TERRENO

187.47	187.45	187.42	187.38	187.35	187.32	187.28	187.25	187.21	187.17	187.14	187.10	187.06	187.02	186.97	186.91	186.85	186.80	186.74	186.68	186.62	186.56	186.50	186.49
--------	--------	--------	--------	--------	--------	--------	--------	--------	--------	--------	--------	--------	--------	--------	--------	--------	--------	--------	--------	--------	--------	--------	--------

PROGRESSIVE PROGETTO

												-3.30	-0.70	0.00	3.75	7.50	10.50	11.75	13.32				
--	--	--	--	--	--	--	--	--	--	--	--	-------	-------	------	------	------	-------	-------	-------	--	--	--	--

PARZIALI PROGETTO

												2.60	0.70	3.75	3.75	3.00	1.25	1.57					
--	--	--	--	--	--	--	--	--	--	--	--	------	------	------	------	------	------	------	--	--	--	--	--

QUOTE PROGETTO

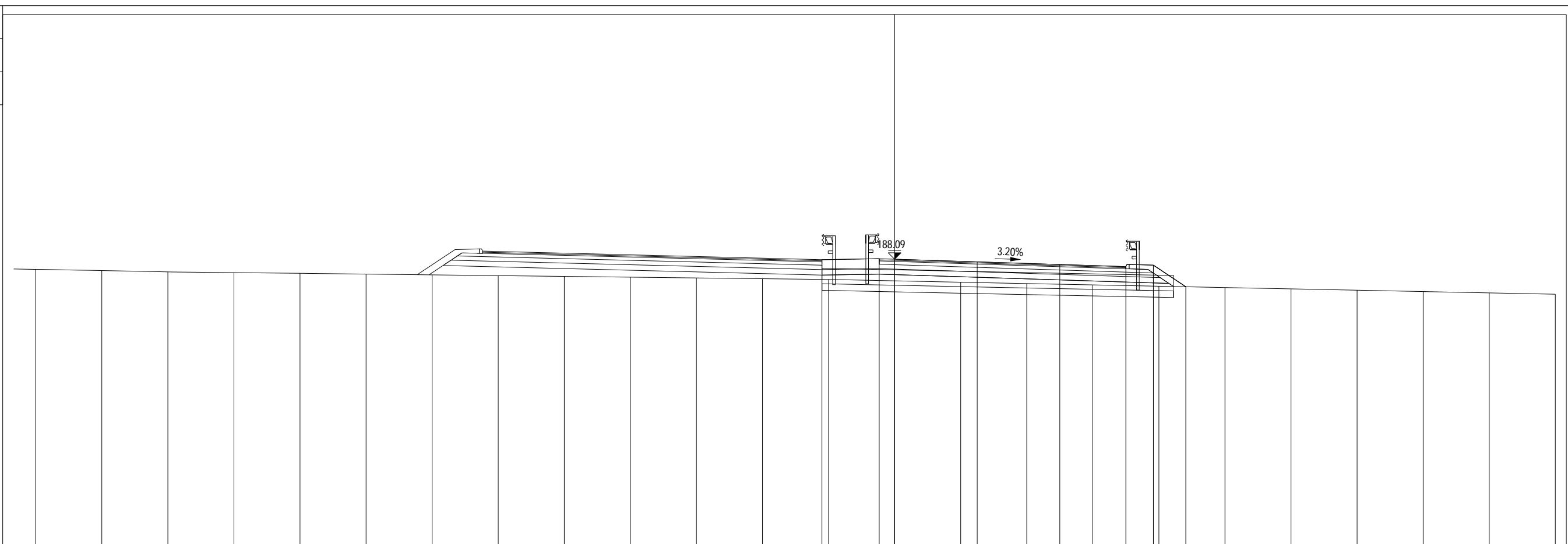
												188.06	188.09	188.07	187.96	187.84	187.75	187.82	186.77				
--	--	--	--	--	--	--	--	--	--	--	--	--------	--------	--------	--------	--------	--------	--------	--------	--	--	--	--

PROFILO 2.6a\_CUNEO

SEZIONE 53

PROGRESSIVA 1036.38

A RILEVATO	m <sup>2</sup>	3.52
AN ANTICAPILLARE	m <sup>2</sup>	8.02
C BINDER	m <sup>2</sup>	0.56
D BASE	m <sup>2</sup>	1.86
MC MISTO CEMENTATO	m <sup>2</sup>	3.70
MS MISTO STABILIZZATO	m <sup>2</sup>	3.90
VR VEGETALE RIL	m <sup>2</sup>	0.67
a USURA	m	11.21
br BONIFICA	m	16.01
sc SCOTICO	m	16.01
tn TNT	m	16.01



PROGRESSIVE TERRENO

-39.00	-36.00	-33.00	-30.00	-27.00	-24.00	-21.00	-18.00	-15.00	-12.00	-9.00	-6.00	-3.00	0.00	3.00	6.00	9.00	12.00	15.00	18.00	21.00	24.00	27.00	30.00
--------	--------	--------	--------	--------	--------	--------	--------	--------	--------	-------	-------	-------	------	------	------	------	-------	-------	-------	-------	-------	-------	-------

PARZIALI TERRENO

3.00	3.00	3.00	3.00	3.00	3.00	3.00	3.00	3.00	3.00	3.00	3.00	3.00	3.00	3.00	3.00	3.00	3.00	3.00	3.00	3.00	3.00	3.00	3.00
------	------	------	------	------	------	------	------	------	------	------	------	------	------	------	------	------	------	------	------	------	------	------	------

QUOTE TERRENO

187.62	187.57	187.51	187.48	187.45	187.41	187.37	187.34	187.30	187.27	187.24	187.20	187.17	187.10	187.04	186.98	186.92	186.86	186.80	186.74	186.68	186.62	186.56	186.50
--------	--------	--------	--------	--------	--------	--------	--------	--------	--------	--------	--------	--------	--------	--------	--------	--------	--------	--------	--------	--------	--------	--------	--------

PROGRESSIVE PROGETTO

												-3.30	-0.70	0.00									
--	--	--	--	--	--	--	--	--	--	--	--	-------	-------	------	--	--	--	--	--	--	--	--	--

PARZIALI PROGETTO

												2.60	0.70	3.75	3.75	3.00	1.25	1.47					
--	--	--	--	--	--	--	--	--	--	--	--	------	------	------	------	------	------	------	--	--	--	--	--

QUOTE PROGETTO

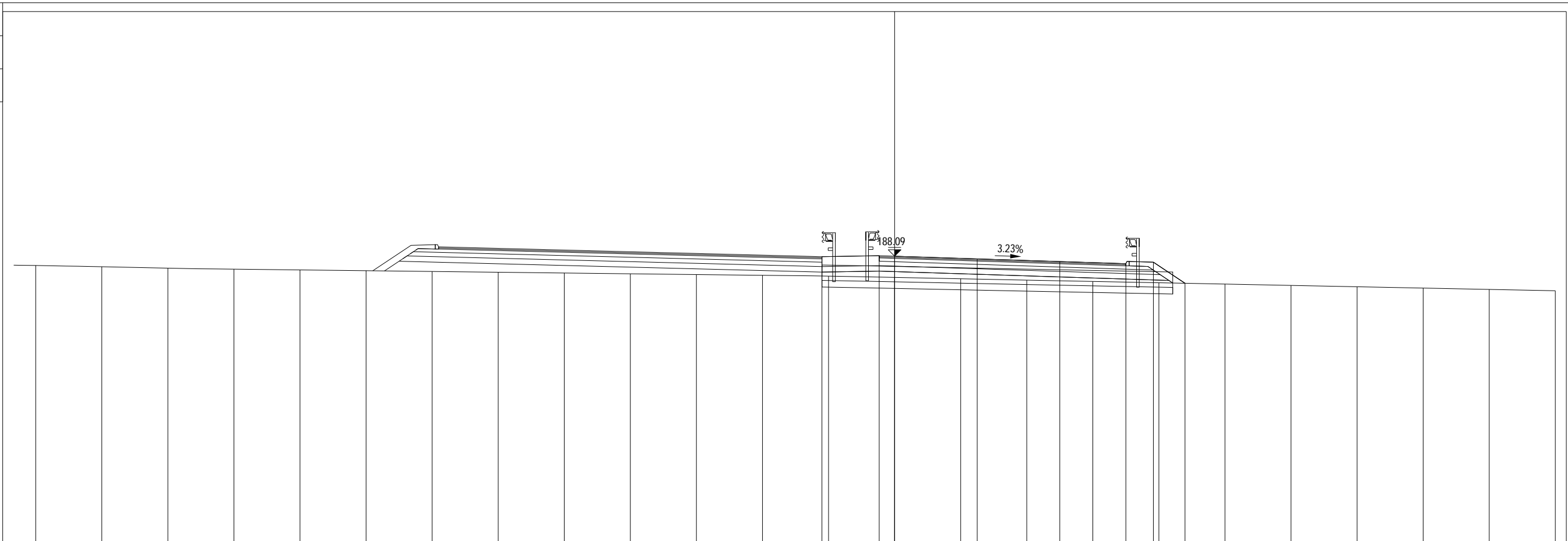
												188.06	188.11	188.09		187.97	187.95	187.75	187.82	186.83			
--	--	--	--	--	--	--	--	--	--	--	--	--------	--------	--------	--	--------	--------	--------	--------	--------	--	--	--

PROFILO 2.6a\_CUNEO

SEZIONE 54

PROGRESSIVA 1039.01

A RILEVATO	m <sup>2</sup>	3.16
AN ANTICAPILLARE	m <sup>2</sup>	7.99
C BINDER	m <sup>2</sup>	0.56
D BASE	m <sup>2</sup>	1.87
MC MISTO CEMENTATO	m <sup>2</sup>	3.70
MS MISTO STABILIZZATO	m <sup>2</sup>	3.90
VR VEGETALE RIL	m <sup>2</sup>	0.69
a USURA	m	11.21
br BONIFICA	m	15.98
sc SCOTICO	m	15.98
tn TNT	m	15.98



PROGRESSIVE TERRENO

-39.00	-36.00	-33.00	-30.00	-27.00	-24.00	-21.00	-18.00	-15.00	-12.00	-9.00	-6.00	-3.00	0.00	3.00	6.00	9.00	12.00	15.00	18.00	21.00	24.00	27.00	30.00
--------	--------	--------	--------	--------	--------	--------	--------	--------	--------	-------	-------	-------	------	------	------	------	-------	-------	-------	-------	-------	-------	-------

PARZIALI TERRENO

3.00	3.00	3.00	3.00	3.00	3.00	3.00	3.00	3.00	3.00	3.00	3.00	3.00	3.00	3.00	3.00	3.00	3.00	3.00	3.00	3.00	3.00	3.00	3.00
------	------	------	------	------	------	------	------	------	------	------	------	------	------	------	------	------	------	------	------	------	------	------	------

QUOTE TERRENO

187.67	187.61	187.55	187.50	187.46	187.43	187.39	187.36	187.32	187.29	187.25	187.22	187.18	187.13	187.06	187.00	186.94	186.88	186.82	186.76	186.70	186.64	186.58	186.52
--------	--------	--------	--------	--------	--------	--------	--------	--------	--------	--------	--------	--------	--------	--------	--------	--------	--------	--------	--------	--------	--------	--------	--------

PROGRESSIVE PROGETTO

												-3.30	-0.70	0.00		3.75	7.50	10.50	11.75	13.19			
--	--	--	--	--	--	--	--	--	--	--	--	-------	-------	------	--	------	------	-------	-------	-------	--	--	--

PARZIALI PROGETTO

												2.60	0.70	3.75	3.75	3.00	1.25	1.44					
--	--	--	--	--	--	--	--	--	--	--	--	------	------	------	------	------	------	------	--	--	--	--	--

QUOTE PROGETTO

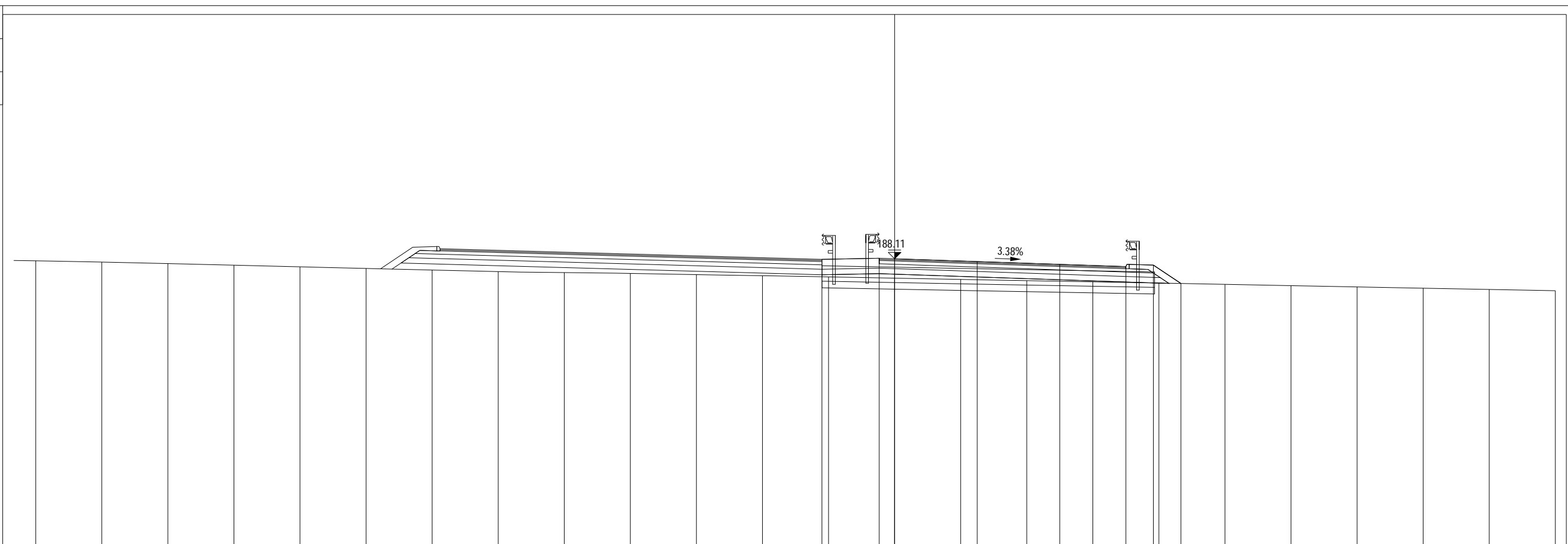
												188.07	188.11	188.09		187.97	187.95	187.75	187.82	186.86			
--	--	--	--	--	--	--	--	--	--	--	--	--------	--------	--------	--	--------	--------	--------	--------	--------	--	--	--

PROFILO 2.6a\_CUNEO

SEZIONE 55

PROGRESSIVA 1056.08

A RILEVATO	m <sup>2</sup>	1.59
AN ANTICAPILLARE	m <sup>2</sup>	7.55
C BINDER	m <sup>2</sup>	0.56
D BASE	m <sup>2</sup>	1.87
MC MISTO CEMENTATO	m <sup>2</sup>	3.70
MS MISTO STABILIZZATO	m <sup>2</sup>	3.91
VR VEGETALE RIL	m <sup>2</sup>	0.61
a USURA	m	11.21
br BONIFICA	m	15.10
sc SCOTICO	m	15.10
tn TNT	m	15.10



PROGRESSIVE TERRENO	-39.00	-36.00	-33.00	-30.00	-27.00	-24.00	-21.00	-18.00	-15.00	-12.00	-9.00	-6.00	-3.00	0.00	3.00	6.00	9.00	12.00	15.00	18.00	21.00	24.00	27.00	30.00
PARZIALI TERRENO		3.00	3.00	3.00	3.00	3.00	3.00	3.00	3.00	3.00	3.00	3.00	3.00	3.00	3.00	3.00	3.00	3.00	3.00	3.00	3.00	3.00	3.00	3.00
QUOTE TERRENO	188.01	187.95	187.89	187.81	187.74	187.67	187.59	187.52	187.48	187.44	187.39	187.34	187.28	187.22	187.17	187.11	187.06	187.00	186.94	186.88	186.83	186.77	186.71	186.65
PROGRESSIVE PROGETTO													-3.30	-0.70	0.00	3.75	7.50	10.50	11.75	13.00				
PARZIALI PROGETTO													2.60	0.70	3.75	3.75	3.00	1.25	1.25					
QUOTE PROGETTO													188.08	188.13	188.11	187.98	187.95	187.75	187.82	186.98				

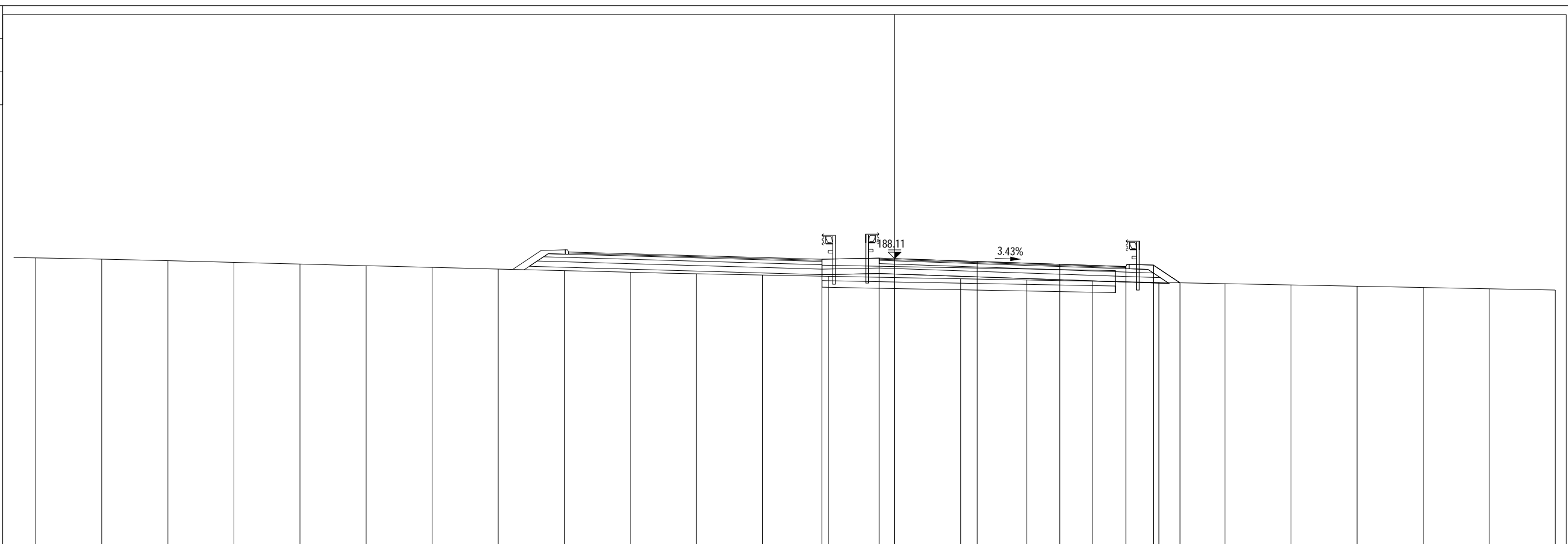


PROFILO 2.6a\_CUNEO

SEZIONE 56

PROGRESSIVA 1062.06

A RILEVATO	m <sup>2</sup>	1.29
AN ANTICAPILLARE	m <sup>2</sup>	6.66
B SCAVO	m <sup>2</sup>	0.05
C BINDER	m <sup>2</sup>	0.56
D BASE	m <sup>2</sup>	1.87
MC MISTO CEMENTATO	m <sup>2</sup>	3.69
MS MISTO STABILIZZATO	m <sup>2</sup>	3.91
VR VEGETALE RIL	m <sup>2</sup>	0.59
a USURA	m	11.21
br BONIFICA	m	13.33
sc SCOTICO	m	13.33
tn TNT	m	13.33



PROGRESSIVE TERRENO

-39.00	-36.00	-33.00	-30.00	-27.00	-24.00	-21.00	-18.00	-15.00	-12.00	-9.00	-6.00	-3.00	0.00	3.00	6.00	9.00	12.00	15.00	18.00	21.00	24.00	27.00	30.00
--------	--------	--------	--------	--------	--------	--------	--------	--------	--------	-------	-------	-------	------	------	------	------	-------	-------	-------	-------	-------	-------	-------

PARZIALI TERRENO

3.00	3.00	3.00	3.00	3.00	3.00	3.00	3.00	3.00	3.00	3.00	3.00	3.00	3.00	3.00	3.00	3.00	3.00	3.00	3.00	3.00	3.00	3.00	3.00
------	------	------	------	------	------	------	------	------	------	------	------	------	------	------	------	------	------	------	------	------	------	------	------

QUOTE TERRENO

188.15	188.09	188.02	187.94	187.87	187.79	187.71	187.64	187.57	187.49	187.42	187.37	187.31	187.25	187.20	187.14	187.09	187.03	186.97	186.92	186.86	186.80	186.74	186.68
--------	--------	--------	--------	--------	--------	--------	--------	--------	--------	--------	--------	--------	--------	--------	--------	--------	--------	--------	--------	--------	--------	--------	--------

PROGRESSIVE PROGETTO

												-3.30	-0.70	0.00	3.75	7.50	10.50	11.75	12.96				
--	--	--	--	--	--	--	--	--	--	--	--	-------	-------	------	------	------	-------	-------	-------	--	--	--	--

PARZIALI PROGETTO

												2.60	0.70	3.75	3.75	3.00	1.25	1.21					
--	--	--	--	--	--	--	--	--	--	--	--	------	------	------	------	------	------	------	--	--	--	--	--

QUOTE PROGETTO

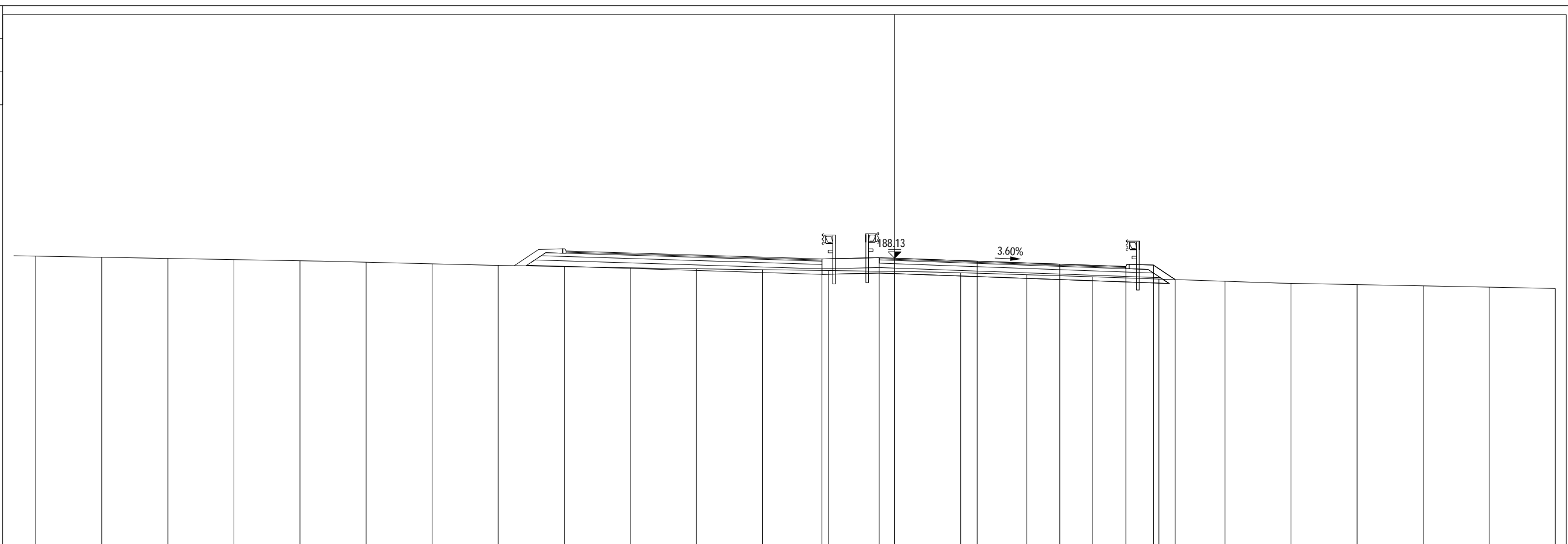
												188.08	188.14	188.11	187.98	187.85	187.75	187.82	187.01				
--	--	--	--	--	--	--	--	--	--	--	--	--------	--------	--------	--------	--------	--------	--------	--------	--	--	--	--

PROFILO 2.6a\_CUNEO

SEZIONE 57

PROGRESSIVA 1081.05

B SCAVO	m <sup>2</sup>	2.35
C BINDER	m <sup>2</sup>	0.56
D BASE	m <sup>2</sup>	1.87
MC MISTO CEMENTATO	m <sup>2</sup>	3.69
MS MISTO STABILIZZATO	m <sup>2</sup>	3.92
VR VEGETALE RIL	m <sup>2</sup>	0.50
a USURA	m	11.21



PROGRESSIVE TERRENO

-39.00	-36.00	-33.00	-30.00	-27.00	-24.00	-21.00	-18.00	-15.00	-12.00	-9.00	-6.00	-3.00	0.00	3.00	6.00	9.00	12.00	15.00	18.00	21.00	24.00	27.00	30.00
--------	--------	--------	--------	--------	--------	--------	--------	--------	--------	-------	-------	-------	------	------	------	------	-------	-------	-------	-------	-------	-------	-------

PARZIALI TERRENO

3.00	3.00	3.00	3.00	3.00	3.00	3.00	3.00	3.00	3.00	3.00	3.00	3.00	3.00	3.00	3.00	3.00	3.00	3.00	3.00	3.00	3.00	3.00	3.00
------	------	------	------	------	------	------	------	------	------	------	------	------	------	------	------	------	------	------	------	------	------	------	------

QUOTE TERRENO

188.23	188.17	188.12	188.07	188.01	187.95	187.88	187.81	187.75	187.70	187.65	187.61	187.57	187.53	187.47	187.38	187.29	187.18	187.08	186.99	186.93	186.88	186.82	186.76
--------	--------	--------	--------	--------	--------	--------	--------	--------	--------	--------	--------	--------	--------	--------	--------	--------	--------	--------	--------	--------	--------	--------	--------

PROGRESSIVE PROGETTO

												-3.30	-0.70	0.00		3.75	7.50	10.50	11.75	12.74			
--	--	--	--	--	--	--	--	--	--	--	--	-------	-------	------	--	------	------	-------	-------	-------	--	--	--

PARZIALI PROGETTO

												2.60	0.70	3.75	3.75	3.00	1.25	0.99					
--	--	--	--	--	--	--	--	--	--	--	--	------	------	------	------	------	------	------	--	--	--	--	--

QUOTE PROGETTO

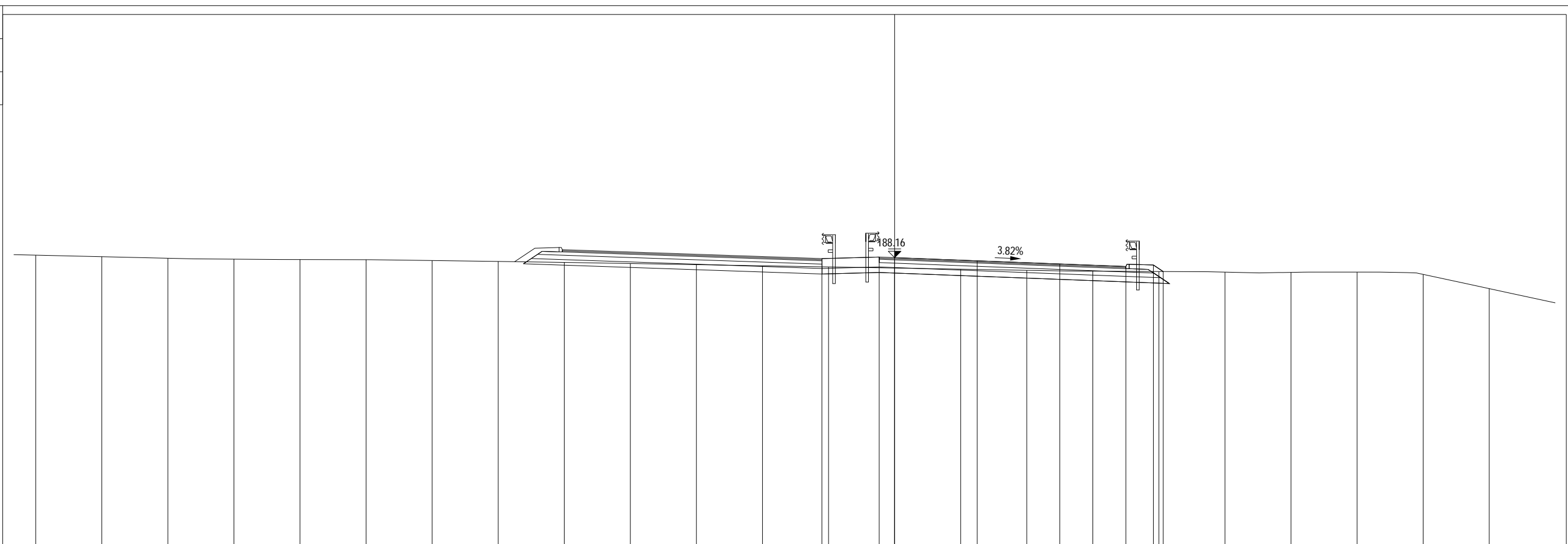
												188.10	188.16	188.13		188.00	187.86	187.75	187.82	187.16			
--	--	--	--	--	--	--	--	--	--	--	--	--------	--------	--------	--	--------	--------	--------	--------	--------	--	--	--

PROFILO 2.6a\_CUNEO

SEZIONE 58

PROGRESSIVA 1106.01

B SCAVO	m <sup>2</sup>	5.26
C BINDER	m <sup>2</sup>	0.56
D BASE	m <sup>2</sup>	1.86
MC MISTO CEMENTATO	m <sup>2</sup>	3.71
MS MISTO STABILIZZATO	m <sup>2</sup>	3.90
VR VEGETALE RIL	m <sup>2</sup>	0.32
a USURA	m	11.21



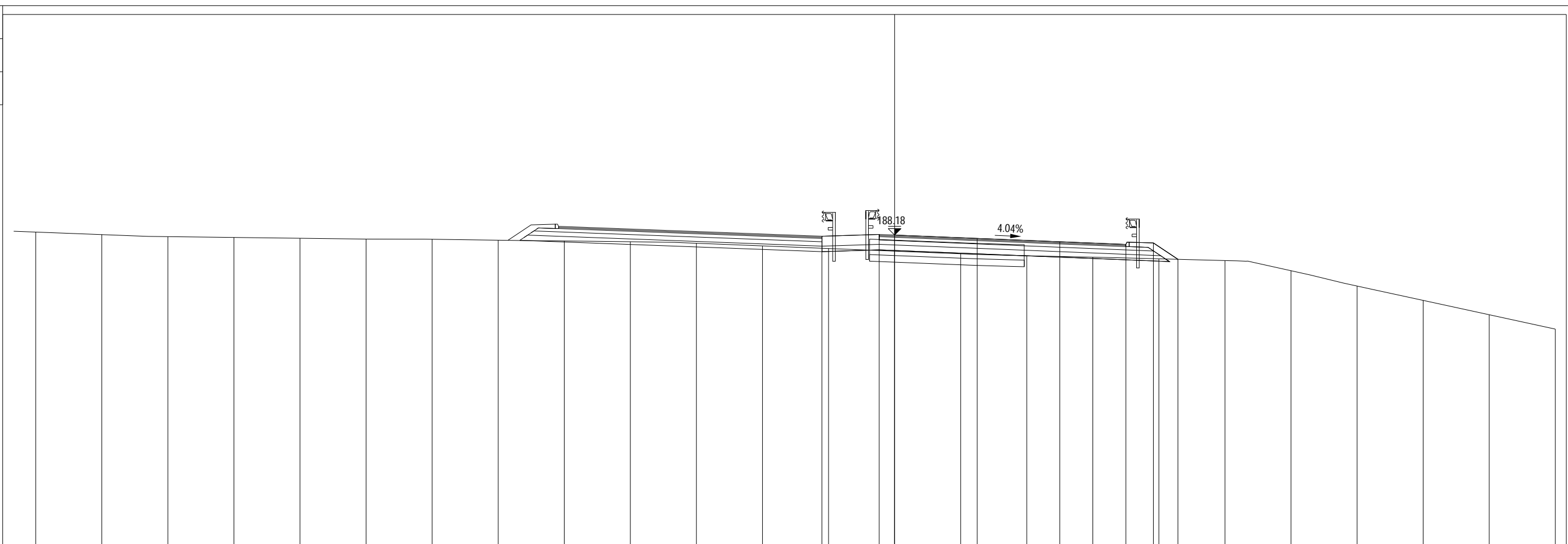
PROGRESSIVE TERRENO	-39.00	-36.00	-33.00	-30.00	-27.00	-24.00	-21.00	-18.00	-15.00	-12.00	-9.00	-6.00	-3.00	0.00	3.00	6.00	9.00	12.00	15.00	18.00	21.00	24.00	27.00
PARZIALI TERRENO		3.00	3.00	3.00	3.00	3.00	3.00	3.00	3.00	3.00	3.00	3.00	3.00	3.00	3.00	3.00	3.00	3.00	3.00	3.00	3.00	3.00	3.00
QUOTE TERRENO	188.27	188.20	188.13	188.09	188.07	188.06	188.03	187.98	187.94	187.89	187.84	187.79	187.74	187.68	187.63	187.58	187.54	187.53	187.50	187.49	187.50	187.40	186.75
PROGRESSIVE PROGETTO													-3.30	-0.70	0.00	3.75	7.50	10.50	11.75	12.19			
PARZIALI PROGETTO													2.60	0.70	3.75	3.75	3.00	1.25	0.44				
QUOTE PROGETTO													188.11	188.18	188.16	188.01	187.87	187.76	187.82	187.53			

PROFILO 2.6a\_CUNEO

SEZIONE 59

PROGRESSIVA 1130.95

A RILEVATO	m <sup>2</sup>	0.13
AN ANTICAPILLARE	m <sup>2</sup>	3.51
B SCAVO	m <sup>2</sup>	0.57
C BINDER	m <sup>2</sup>	0.56
D BASE	m <sup>2</sup>	1.86
MC MISTO CEMENTATO	m <sup>2</sup>	3.71
MS MISTO STABILIZZATO	m <sup>2</sup>	3.90
VR VEGETALE RIL	m <sup>2</sup>	0.56
a USURA	m	11.21
br BONIFICA	m	7.03
sc SCOTICO	m	7.03
tn TNT	m	7.03



174  
200

PROGRESSIVE TERRENO

-39.00	-36.00	-33.00	-30.00	-27.00	-24.00	-21.00	-18.00	-15.00	-12.00	-9.00	-6.00	-3.00	0.00	3.00	6.00	9.00	12.00	15.00	18.00	21.00	24.00	27.00	30.00
--------	--------	--------	--------	--------	--------	--------	--------	--------	--------	-------	-------	-------	------	------	------	------	-------	-------	-------	-------	-------	-------	-------

PARZIALI TERRENO

3.00	3.00	3.00	3.00	3.00	3.00	3.00	3.00	3.00	3.00	3.00	3.00	3.00	3.00	3.00	3.00	3.00	3.00	3.00	3.00	3.00	3.00	3.00	3.00
------	------	------	------	------	------	------	------	------	------	------	------	------	------	------	------	------	------	------	------	------	------	------	------

QUOTE TERRENO

188.32	188.20	188.11	188.07	188.04	188.00	187.99	187.95	187.91	187.88	187.81	187.69	187.57	187.45	187.33	187.24	187.18	187.10	187.02	186.56	185.87	185.22	184.56	183.91
--------	--------	--------	--------	--------	--------	--------	--------	--------	--------	--------	--------	--------	--------	--------	--------	--------	--------	--------	--------	--------	--------	--------	--------

PROGRESSIVE PROGETTO

												-3.30	-0.70	0.00	3.75	7.50	10.50	11.75	12.87				
--	--	--	--	--	--	--	--	--	--	--	--	-------	-------	------	------	------	-------	-------	-------	--	--	--	--

PARZIALI PROGETTO

												2.60	0.70	3.75	3.75	3.00	1.25	1.12					
--	--	--	--	--	--	--	--	--	--	--	--	------	------	------	------	------	------	------	--	--	--	--	--

QUOTE PROGETTO

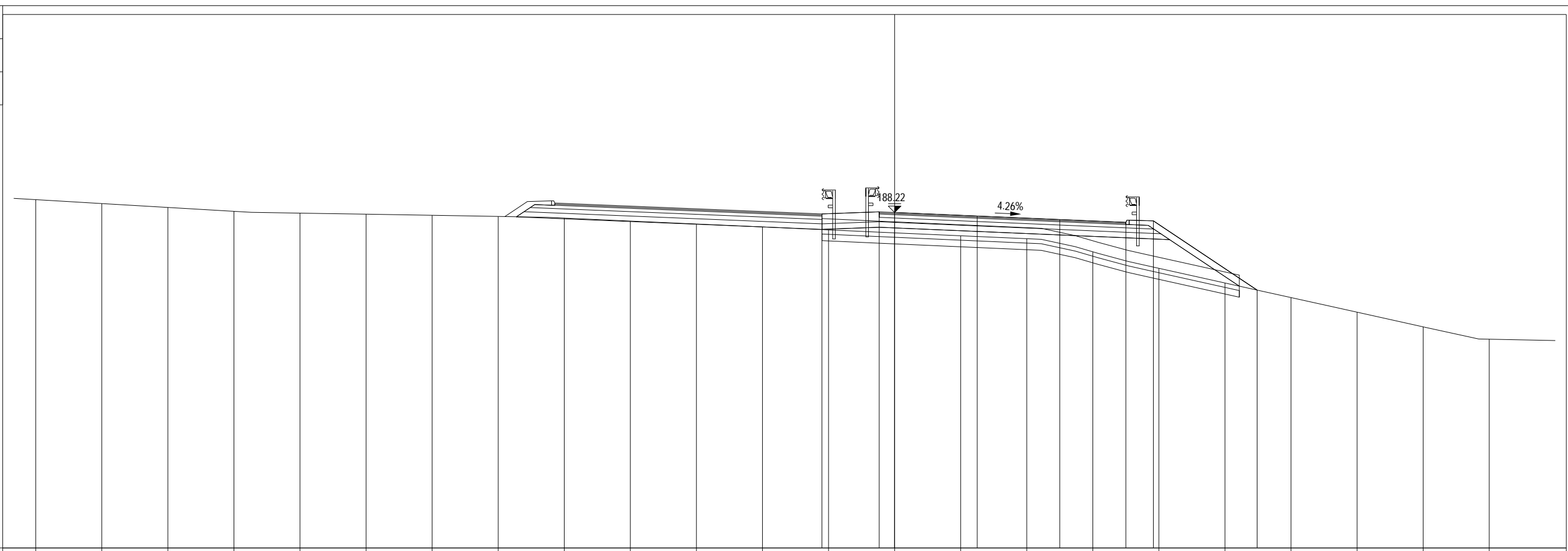
												188.13	188.21	188.18	188.03	187.88	187.76	187.83	187.08				
--	--	--	--	--	--	--	--	--	--	--	--	--------	--------	--------	--------	--------	--------	--------	--------	--	--	--	--

PROFILO 2.6a\_CUNEO

SEZIONE 60

PROGRESSIVA 1155.88

A RILEVATO	m <sup>2</sup>	9.14
AN ANTICAPILLARE	m <sup>2</sup>	9.50
C BINDER	m <sup>2</sup>	0.56
D BASE	m <sup>2</sup>	1.87
MC MISTO CEMENTATO	m <sup>2</sup>	3.70
MS MISTO STABILIZZATO	m <sup>2</sup>	3.92
VR VEGETALE RIL	m <sup>2</sup>	1.82
a USURA	m	11.21
br BONIFICA	m	19.27
sc SCOTICO	m	19.27
tn TNT	m	19.02



PROGRESSIVE TERRENO

-39.00	-36.00	-33.00	-30.00	-27.00	-24.00	-21.00	-18.00	-15.00	-12.00	-9.00	-6.00	-3.00	0.00	3.00	6.00	9.00	12.00	15.00	18.00	21.00	24.00	27.00
--------	--------	--------	--------	--------	--------	--------	--------	--------	--------	-------	-------	-------	------	------	------	------	-------	-------	-------	-------	-------	-------

PARZIALI TERRENO

3.00	3.00	3.00	3.00	3.00	3.00	3.00	3.00	3.00	3.00	3.00	3.00	3.00	3.00	3.00	3.00	3.00	3.00	3.00	3.00	3.00	3.00	3.00
------	------	------	------	------	------	------	------	------	------	------	------	------	------	------	------	------	------	------	------	------	------	------

QUOTE TERRENO

188.80	188.62	188.45	188.27	188.19	188.14	188.09	188.04	187.96	187.83	187.70	187.56	187.43	187.29	187.16	187.03	186.43	185.69	185.02	184.36	183.70	183.03	182.47
--------	--------	--------	--------	--------	--------	--------	--------	--------	--------	--------	--------	--------	--------	--------	--------	--------	--------	--------	--------	--------	--------	--------

PROGRESSIVE PROGETTO

												-3.30	-0.70	0.00	3.75	7.50	10.50	11.75	16.46			
--	--	--	--	--	--	--	--	--	--	--	--	-------	-------	------	------	------	-------	-------	-------	--	--	--

PARZIALI PROGETTO

												2.60	0.70	3.75	3.75	3.00	1.25	4.71				
--	--	--	--	--	--	--	--	--	--	--	--	------	------	------	------	------	------	------	--	--	--	--

QUOTE PROGETTO

												188.15	188.25	188.22	188.06	187.90	187.77	187.84	184.70			
--	--	--	--	--	--	--	--	--	--	--	--	--------	--------	--------	--------	--------	--------	--------	--------	--	--	--

173

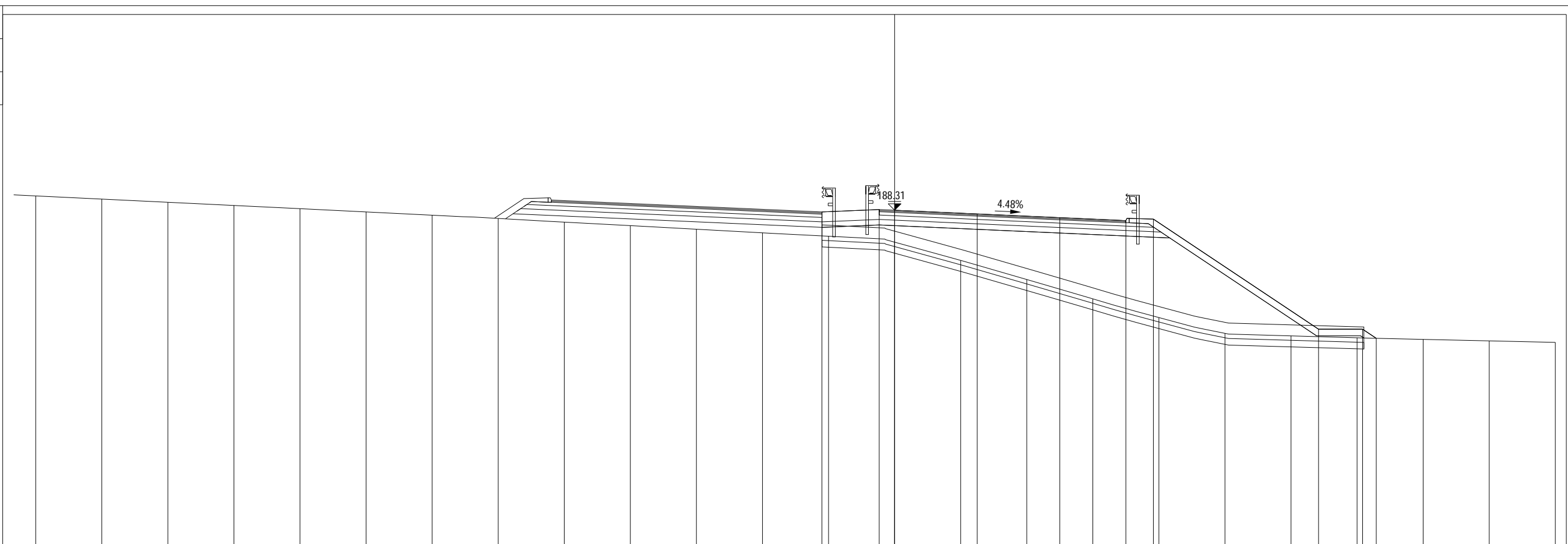
200

PROFILO 2.6a\_CUNEO

SEZIONE 61

PROGRESSIVA 1180.80

A RILEVATO	m <sup>2</sup>	43.98
AN ANTICAPILLARE	m <sup>2</sup>	12.22
C BINDER	m <sup>2</sup>	0.56
D BASE	m <sup>2</sup>	1.86
MC MISTO CEMENTATO	m <sup>2</sup>	3.71
MS MISTO STABILIZZATO	m <sup>2</sup>	3.91
VR VEGETALE RIL	m <sup>2</sup>	3.51
a USURA	m	11.21
br BONIFICA	m	25.06
sc SCOTICO	m	25.06
tn TNT	m	24.47



173  
▼

200  
200

PROGRESSIVE TERRENO

-39.00	-36.00	-33.00	-30.00	-27.00	-24.00	-21.00	-18.00	-15.00	-12.00	-9.00	-6.00	-3.00	0.00	3.00	6.00	9.00	12.00	15.00	18.00	21.00	24.00	27.00	30.00
--------	--------	--------	--------	--------	--------	--------	--------	--------	--------	-------	-------	-------	------	------	------	------	-------	-------	-------	-------	-------	-------	-------

PARZIALI TERRENO

3.00	3.00	3.00	3.00	3.00	3.00	3.00	3.00	3.00	3.00	3.00	3.00	3.00	3.00	3.00	3.00	3.00	3.00	3.00	3.00	3.00	3.00	3.00	3.00
------	------	------	------	------	------	------	------	------	------	------	------	------	------	------	------	------	------	------	------	------	------	------	------

QUOTE TERRENO

188.96	188.82	188.67	188.53	188.38	188.23	188.08	187.94	187.77	187.61	187.45	187.28	187.13	186.86	186.03	185.16	184.29	183.44	182.72	182.60	182.52	182.44	182.38	182.31
--------	--------	--------	--------	--------	--------	--------	--------	--------	--------	--------	--------	--------	--------	--------	--------	--------	--------	--------	--------	--------	--------	--------	--------

PROGRESSIVE PROGETTO

												-3.30	-0.70	0.00	3.75	7.50	10.50	11.75		19.25	21.25	21.87	
--	--	--	--	--	--	--	--	--	--	--	--	-------	-------	------	------	------	-------	-------	--	-------	-------	-------	--

PARZIALI PROGETTO

												2.60	0.70	3.75	3.75	3.00	1.25	7.50	2.00	0.62			
--	--	--	--	--	--	--	--	--	--	--	--	------	------	------	------	------	------	------	------	------	--	--	--

QUOTE PROGETTO

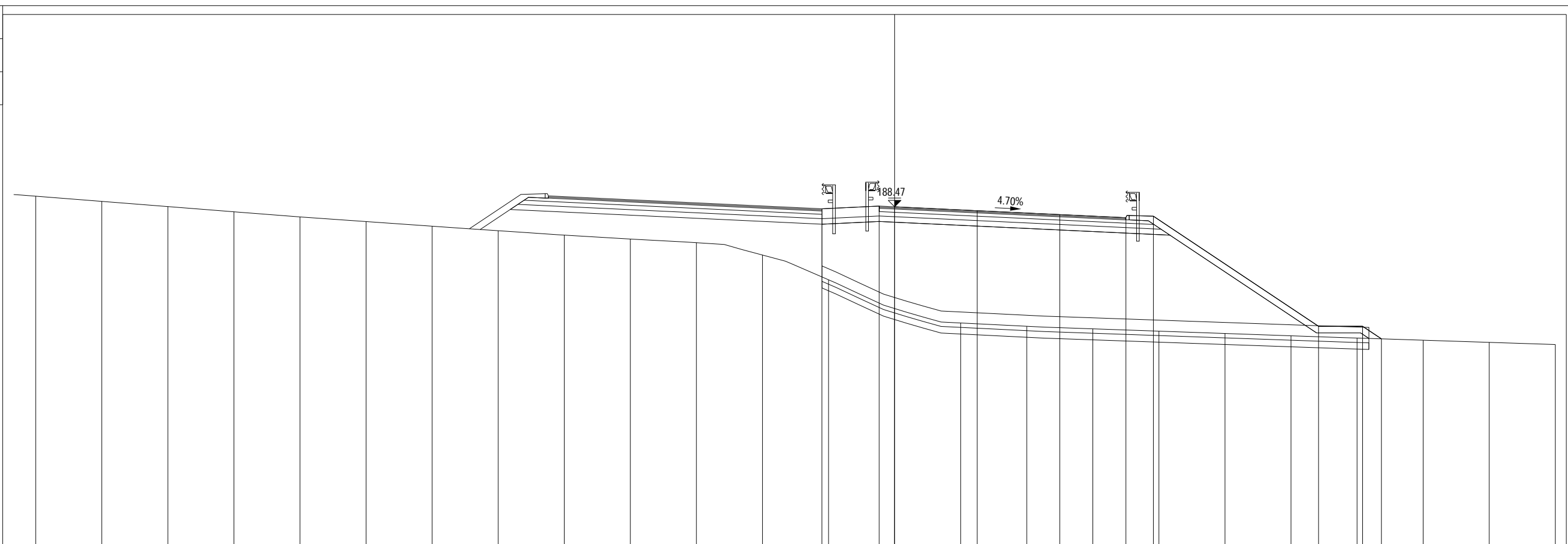
												188.23	188.34	188.31	188.14	187.97	187.84	187.91		182.91	182.91	182.49	
--	--	--	--	--	--	--	--	--	--	--	--	--------	--------	--------	--------	--------	--------	--------	--	--------	--------	--------	--

PROFILO 2.6a\_CUNEO

SEZIONE 62

PROGRESSIVA 1205.70

A RILEVATO	m <sup>2</sup>	81.20
AN ANTICAPILLARE	m <sup>2</sup>	12.35
C BINDER	m <sup>2</sup>	0.56
D BASE	m <sup>2</sup>	1.86
MC MISTO CEMENTATO	m <sup>2</sup>	3.72
MS MISTO STABILIZZATO	m <sup>2</sup>	3.90
VR VEGETALE RIL	m <sup>2</sup>	3.57
a USURA	m	11.21
br BONIFICA	m	25.10
sc SCOTICO	m	25.10
tn TNT	m	24.70



PROGRESSIVE TERRENO

-39.00	-36.00	-33.00	-30.00	-27.00	-24.00	-21.00	-18.00	-15.00	-12.00	-9.00	-6.00	-3.00	0.00	3.00	6.00	9.00	12.00	15.00	18.00	21.00	24.00	27.00	30.00
--------	--------	--------	--------	--------	--------	--------	--------	--------	--------	-------	-------	-------	------	------	------	------	-------	-------	-------	-------	-------	-------	-------

PARZIALI TERRENO

3.00	3.00	3.00	3.00	3.00	3.00	3.00	3.00	3.00	3.00	3.00	3.00	3.00	3.00	3.00	3.00	3.00	3.00	3.00	3.00	3.00	3.00	3.00	3.00
------	------	------	------	------	------	------	------	------	------	------	------	------	------	------	------	------	------	------	------	------	------	------	------

QUOTE TERRENO

188.95	188.71	188.48	188.24	188.01	187.79	187.56	187.38	187.18	187.00	186.84	186.28	185.15	183.85	183.19	183.04	182.92	182.82	182.71	182.61	182.51	182.41	182.31	182.21
--------	--------	--------	--------	--------	--------	--------	--------	--------	--------	--------	--------	--------	--------	--------	--------	--------	--------	--------	--------	--------	--------	--------	--------

PROGRESSIVE PROGETTO

												-3.30	-0.70	0.00	3.75	7.50	10.50	11.75		19.25	21.25	22.10	
--	--	--	--	--	--	--	--	--	--	--	--	-------	-------	------	------	------	-------	-------	--	-------	-------	-------	--

PARZIALI PROGETTO

												2.60	0.70	3.75	3.75	3.00	1.25	7.50		2.00	0.85		
--	--	--	--	--	--	--	--	--	--	--	--	------	------	------	------	------	------	------	--	------	------	--	--

QUOTE PROGETTO

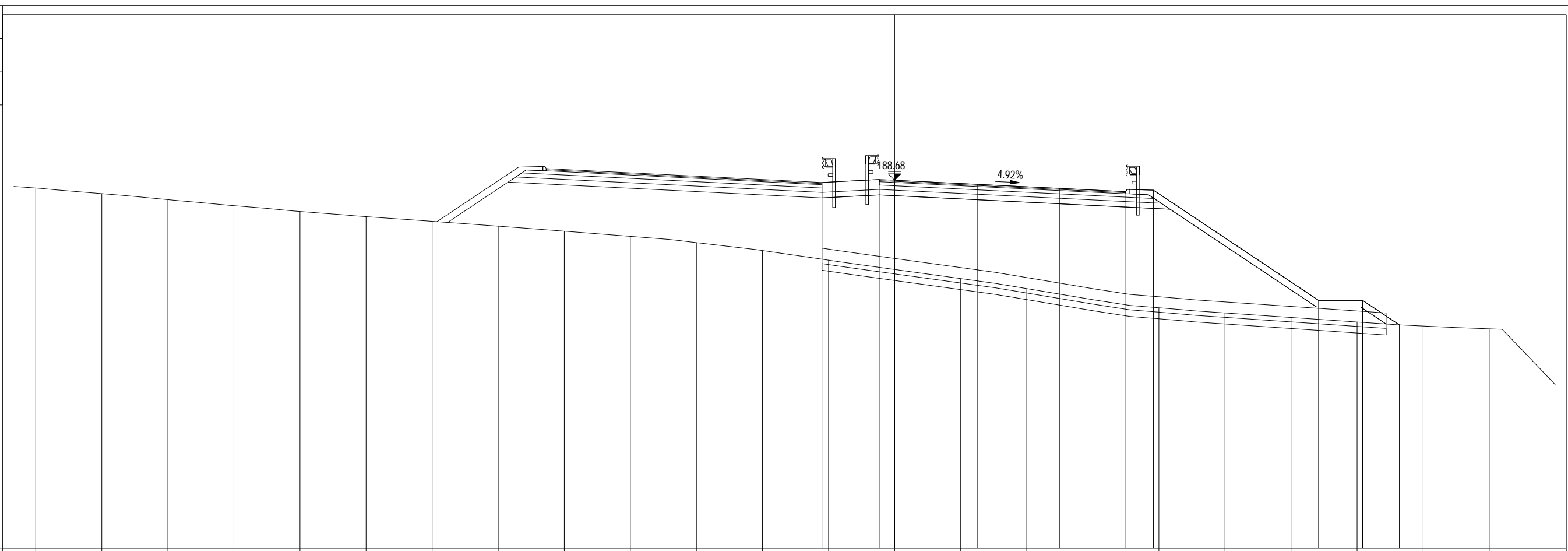
												188.38	188.50	188.47	188.29	188.11	187.97	188.04		183.04	183.04	182.47	
--	--	--	--	--	--	--	--	--	--	--	--	--------	--------	--------	--------	--------	--------	--------	--	--------	--------	--------	--

PROFILO 2.6a\_CUNEO

SEZIONE 63

PROGRESSIVA 1230.59

A RILEVATO	m <sup>2</sup>	78.49
AN ANTICAPILLARE	m <sup>2</sup>	12.74
C BINDER	m <sup>2</sup>	0.56
D BASE	m <sup>2</sup>	1.87
MC MISTO CEMENTATO	m <sup>2</sup>	3.71
MS MISTO STABILIZZATO	m <sup>2</sup>	3.92
VR VEGETALE RIL	m <sup>2</sup>	3.81
a USURA	m	11.21
br BONIFICA	m	25.65
sc SCOTICO	m	25.65
tn TNT	m	25.47



172  
200

PROGRESSIVE TERRENO

-39.00	-36.00	-33.00	-30.00	-27.00	-24.00	-21.00	-18.00	-15.00	-12.00	-9.00	-6.00	-3.00	0.00	3.00	6.00	9.00	12.00	15.00	18.00	21.00	24.00	27.00
--------	--------	--------	--------	--------	--------	--------	--------	--------	--------	-------	-------	-------	------	------	------	------	-------	-------	-------	-------	-------	-------

PARZIALI TERRENO

3.00	3.00	3.00	3.00	3.00	3.00	3.00	3.00	3.00	3.00	3.00	3.00	3.00	3.00	3.00	3.00	3.00	3.00	3.00	3.00	3.00	3.00	3.00
------	------	------	------	------	------	------	------	------	------	------	------	------	------	------	------	------	------	------	------	------	------	------

QUOTE TERRENO

188.33	188.07	187.80	187.53	187.26	187.03	186.82	186.60	186.37	186.13	185.85	185.49	185.06	184.63	184.22	183.76	183.26	182.90	182.66	182.46	182.25	182.07	181.94
--------	--------	--------	--------	--------	--------	--------	--------	--------	--------	--------	--------	--------	--------	--------	--------	--------	--------	--------	--------	--------	--------	--------

PROGRESSIVE PROGETTO

												-3.30	-0.70	0.00	3.75	7.50	10.50	11.75		19.25	21.25	22.92
--	--	--	--	--	--	--	--	--	--	--	--	-------	-------	------	------	------	-------	-------	--	-------	-------	-------

PARZIALI PROGETTO

												2.60	0.70	3.75	3.75	3.00	1.25	7.50		2.00	1.67	
--	--	--	--	--	--	--	--	--	--	--	--	------	------	------	------	------	------	------	--	------	------	--

QUOTE PROGETTO

												188.56	188.72	188.68	188.50	188.31	188.16	188.23		183.23	183.23	182.12
--	--	--	--	--	--	--	--	--	--	--	--	--------	--------	--------	--------	--------	--------	--------	--	--------	--------	--------

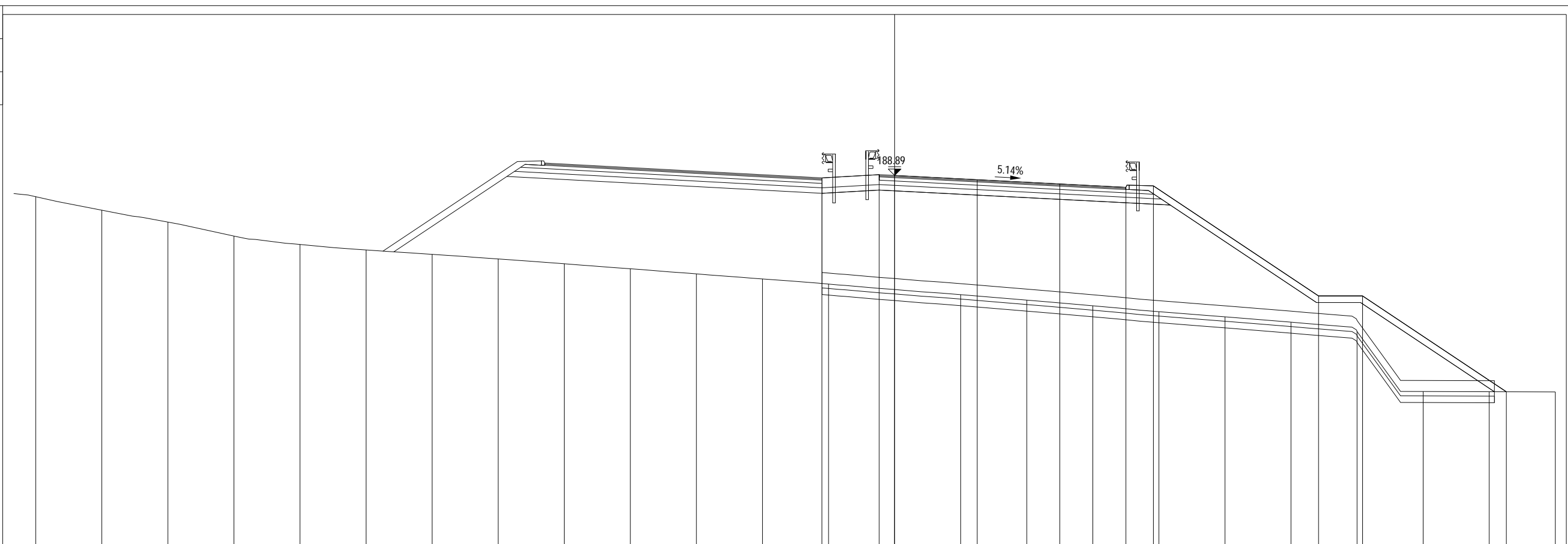


PROFILO 2.6a\_CUNEO

SEZIONE 64

PROGRESSIVA 1255.46

A RILEVATO	m <sup>2</sup>	104.15
AN ANTICAPILLARE	m <sup>2</sup>	15.21
C BINDER	m <sup>2</sup>	0.56
D BASE	m <sup>2</sup>	1.87
MC MISTO CEMENTATO	m <sup>2</sup>	3.71
MS MISTO STABILIZZATO	m <sup>2</sup>	3.92
VR VEGETALE RIL	m <sup>2</sup>	5.68
a USURA	m	11.22
br BONIFICA	m	31.94
sc SCOTICO	m	31.94
tn TNT	m	30.40



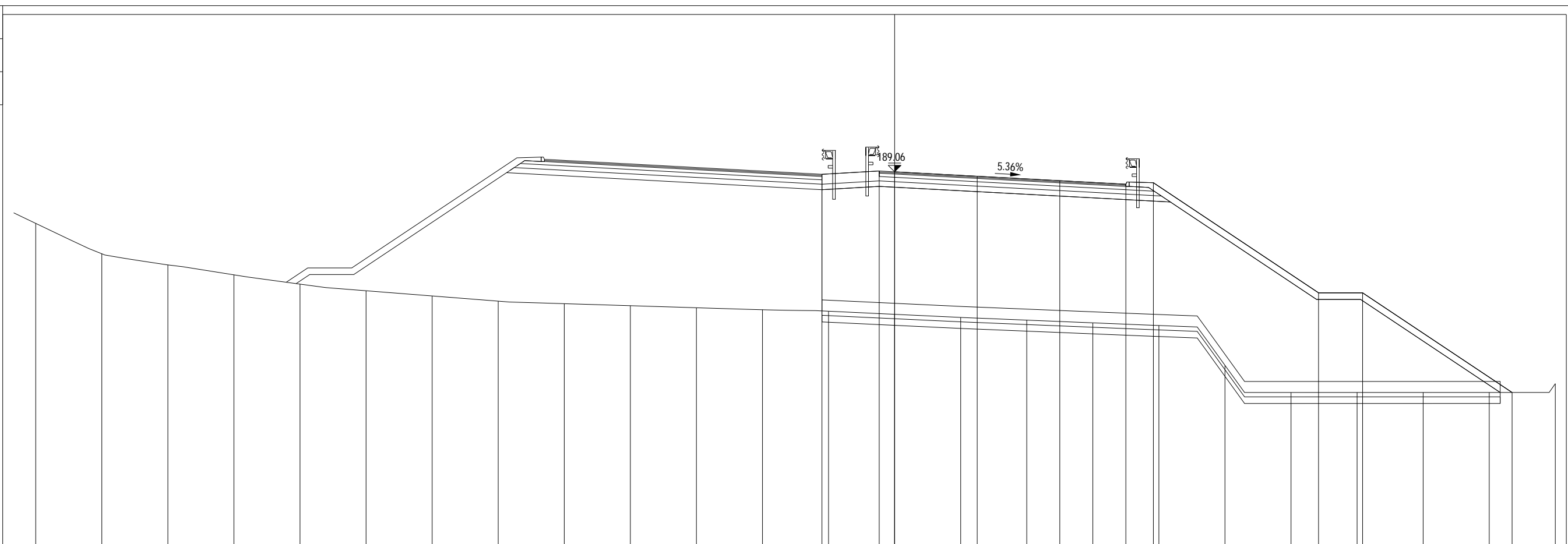
PROGRESSIVE TERRENO	-39.00	-36.00	-33.00	-30.00	-27.00	-24.00	-21.00	-18.00	-15.00	-12.00	-9.00	-6.00	-3.00	0.00	3.00	6.00	9.00	12.00	15.00	18.00	21.00	24.00	27.00	30.00
PARZIALI TERRENO		3.00	3.00	3.00	3.00	3.00	3.00	3.00	3.00	3.00	3.00	3.00	3.00	3.00	3.00	3.00	3.00	3.00	3.00	3.00	3.00	3.00	3.00	3.00
QUOTE TERRENO	187.92	187.31	186.77	186.14	185.76	185.51	185.31	185.10	184.88	184.65	184.42	184.19	183.96	183.71	183.48	183.23	182.97	182.70	182.47	182.23	181.81	179.08	179.07	179.06
PROGRESSIVE PROGETTO													-3.30	-0.70	0.00	3.75	7.50	10.50	11.75		19.25	21.25		27.78
PARZIALI PROGETTO													2.60	0.70	3.75	3.75	3.00	1.25	7.50	2.00	6.53			
QUOTE PROGETTO													188.78	188.93	188.89	188.70	188.50	188.35	188.42	183.42	183.42			179.07

PROFILO 2.6a\_CUNEO

SEZIONE 65

PROGRESSIVA 1280.33

A RILEVATO	m <sup>2</sup>	147.55
AN ANTICAPILLARE	m <sup>2</sup>	15.35
C BINDER	m <sup>2</sup>	0.56
D BASE	m <sup>2</sup>	1.88
MC MISTO CEMENTATO	m <sup>2</sup>	3.71
MS MISTO STABILIZZATO	m <sup>2</sup>	3.92
VR VEGETALE RIL	m <sup>2</sup>	5.79
a USURA	m	11.22
br BONIFICA	m	32.19
sc SCOTICO	m	32.19
tn TNT	m	30.66



PROGRESSIVE TERRENO

-39.00	-36.00	-33.00	-30.00	-27.00	-24.00	-21.00	-18.00	-15.00	-12.00	-9.00	-6.00	-3.00	0.00	3.00	6.00	9.00	12.00	15.00	18.00	21.00	24.00	27.00	30.00
--------	--------	--------	--------	--------	--------	--------	--------	--------	--------	-------	-------	-------	------	------	------	------	-------	-------	-------	-------	-------	-------	-------

PARZIALI TERRENO

3.00	3.00	3.00	3.00	3.00	3.00	3.00	3.00	3.00	3.00	3.00	3.00	3.00	3.00	3.00	3.00	3.00	3.00	3.00	3.00	3.00	3.00	3.00	3.00
------	------	------	------	------	------	------	------	------	------	------	------	------	------	------	------	------	------	------	------	------	------	------	------

QUOTE TERRENO

186.71	185.33	184.83	184.38	183.95	183.65	183.42	183.18	183.07	182.97	182.88	182.79	182.72	182.58	182.44	182.32	182.20	182.07	180.27	179.03	179.03	179.03	179.03	179.03	179.43
--------	--------	--------	--------	--------	--------	--------	--------	--------	--------	--------	--------	--------	--------	--------	--------	--------	--------	--------	--------	--------	--------	--------	--------	--------

PROGRESSIVE PROGETTO

												-3.30	-0.70	0.00	3.75	7.50	10.50	11.75		19.25	21.25			28.04
--	--	--	--	--	--	--	--	--	--	--	--	-------	-------	------	------	------	-------	-------	--	-------	-------	--	--	-------

PARZIALI PROGETTO

												2.60	0.70	3.75	3.75	3.00	1.25	7.50		2.00	6.79		
--	--	--	--	--	--	--	--	--	--	--	--	------	------	------	------	------	------	------	--	------	------	--	--

QUOTE PROGETTO

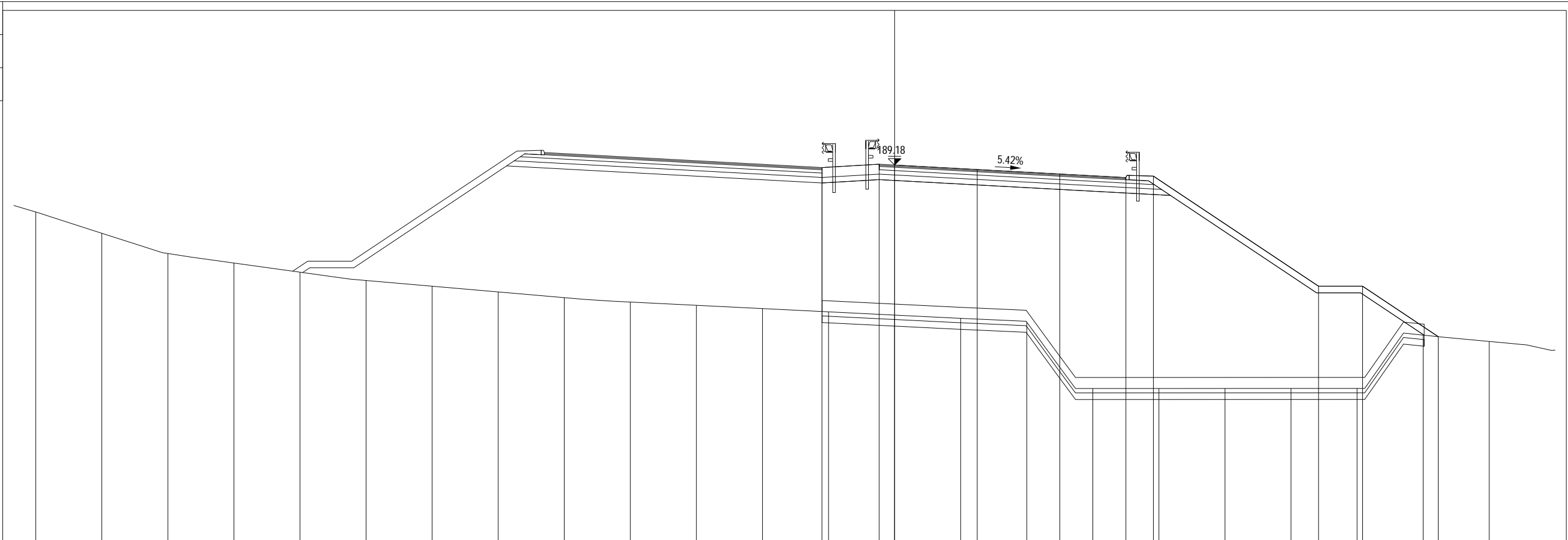
												188.94	189.09	189.06	188.85	188.65	188.49	188.56		183.56	183.56			179.03
--	--	--	--	--	--	--	--	--	--	--	--	--------	--------	--------	--------	--------	--------	--------	--	--------	--------	--	--	--------

PROFILO 2.6a\_CUNEO

SEZIONE 66

PROGRESSIVA 1305.19

A RILEVATO	m <sup>2</sup>	168.90
AN ANTICAPILLARE	m <sup>2</sup>	13.61
C BINDER	m <sup>2</sup>	0.56
D BASE	m <sup>2</sup>	1.87
MC MISTO CEMENTATO	m <sup>2</sup>	3.72
MS MISTO STABILIZZATO	m <sup>2</sup>	3.91
VR VEGETALE RIL	m <sup>2</sup>	4.38
a USURA	m	11.22
br BONIFICA	m	30.05
sc SCOTICO	m	30.05
tn TNT	m	27.19



172  
▼  
200

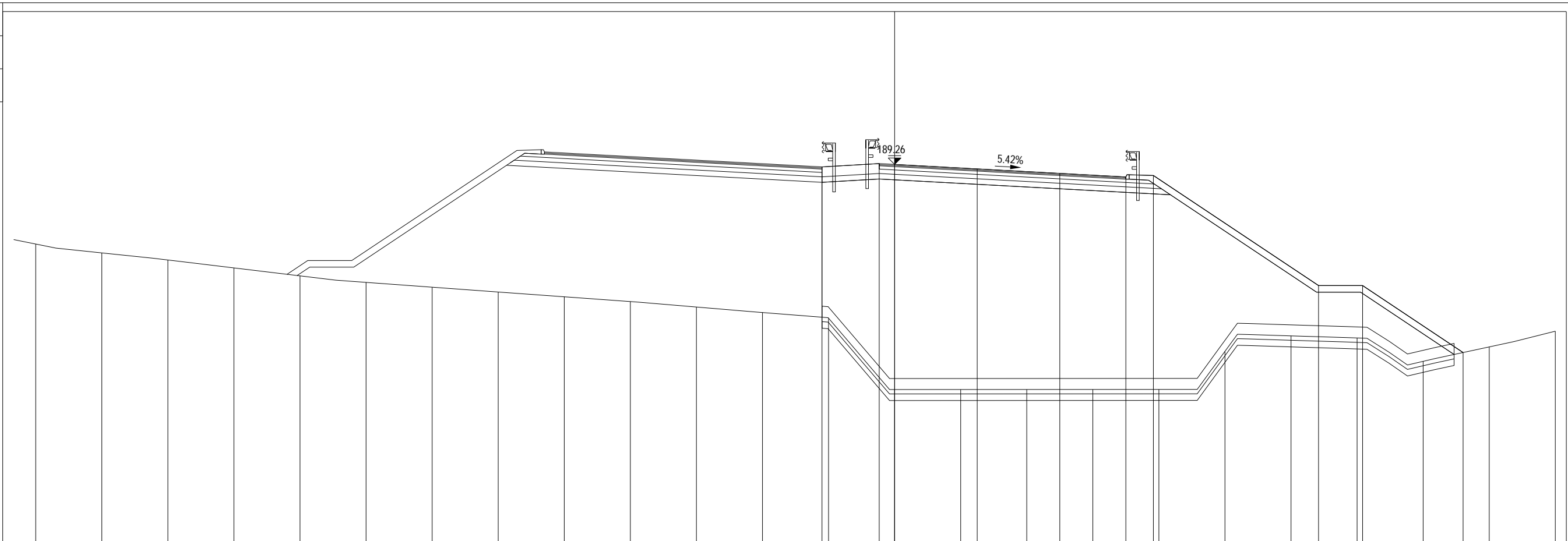
PROGRESSIVE TERRENO	-39.00	-36.00	-33.00	-30.00	-27.00	-24.00	-21.00	-18.00	-15.00	-12.00	-9.00	-6.00	-3.00	0.00	3.00	6.00	9.00	12.00	15.00	18.00	21.00	24.00	27.00
PARZIALI TERRENO		3.00	3.00	3.00	3.00	3.00	3.00	3.00	3.00	3.00	3.00	3.00	3.00	3.00	3.00	3.00	3.00	3.00	3.00	3.00	3.00	3.00	3.00
QUOTE TERRENO	187.05	186.08	185.16	184.73	184.31	183.94	183.68	183.42	183.16	182.96	182.81	182.66	182.51	182.36	182.22	182.05	179.03	179.03	179.03	179.03	179.03	181.46	181.17
PROGRESSIVE PROGETTO													-3.30	-0.70	0.00	3.75	7.50	10.50	11.75		19.25	21.25	24.69
PARZIALI PROGETTO													2.60	0.70	3.75	3.75	3.00	1.25	7.50		2.00	3.44	
QUOTE PROGETTO													189.06	189.22	189.18	188.97	188.77	188.61	188.68		183.68	183.68	181.38

PROFILO 2.6a\_CUNEO

SEZIONE 67

PROGRESSIVA 1330.06

A RILEVATO	m <sup>2</sup>	183.85
AN ANTICAPILLARE	m <sup>2</sup>	14.31
C BINDER	m <sup>2</sup>	0.56
D BASE	m <sup>2</sup>	1.88
MC MISTO CEMENTATO	m <sup>2</sup>	3.70
MS MISTO STABILIZZATO	m <sup>2</sup>	3.93
VR VEGETALE RIL	m <sup>2</sup>	4.89
a USURA	m	11.22
br BONIFICA	m	31.78
sc SCOTICO	m	31.78
tn TNT	m	28.60



PROGRESSIVE TERRENO

-39.00	-36.00	-33.00	-30.00	-27.00	-24.00	-21.00	-18.00	-15.00	-12.00	-9.00	-6.00	-3.00	0.00	3.00	6.00	9.00	12.00	15.00	18.00	21.00	24.00	27.00	30.00
--------	--------	--------	--------	--------	--------	--------	--------	--------	--------	-------	-------	-------	------	------	------	------	-------	-------	-------	-------	-------	-------	-------

PARZIALI TERRENO

3.00	3.00	3.00	3.00	3.00	3.00	3.00	3.00	3.00	3.00	3.00	3.00	3.00	3.00	3.00	3.00	3.00	3.00	3.00	3.00	3.00	3.00	3.00	3.00
------	------	------	------	------	------	------	------	------	------	------	------	------	------	------	------	------	------	------	------	------	------	------	------

QUOTE TERRENO

185.64	185.24	184.92	184.56	184.20	183.90	183.66	183.46	183.24	183.03	182.78	182.53	182.27	179.03	179.03	179.03	179.04	179.04	180.77	181.47	181.38	180.31	180.97	181.68
--------	--------	--------	--------	--------	--------	--------	--------	--------	--------	--------	--------	--------	--------	--------	--------	--------	--------	--------	--------	--------	--------	--------	--------

PROGRESSIVE PROGETTO

												-3.30	-0.70	0.00	3.75	7.50	10.50	11.75		19.25	21.25		25.81
--	--	--	--	--	--	--	--	--	--	--	--	-------	-------	------	------	------	-------	-------	--	-------	-------	--	-------

PARZIALI PROGETTO

												2.60	0.70	3.75	3.75	3.00	1.25	7.50		2.00	4.56		
--	--	--	--	--	--	--	--	--	--	--	--	------	------	------	------	------	------	------	--	------	------	--	--

QUOTE PROGETTO

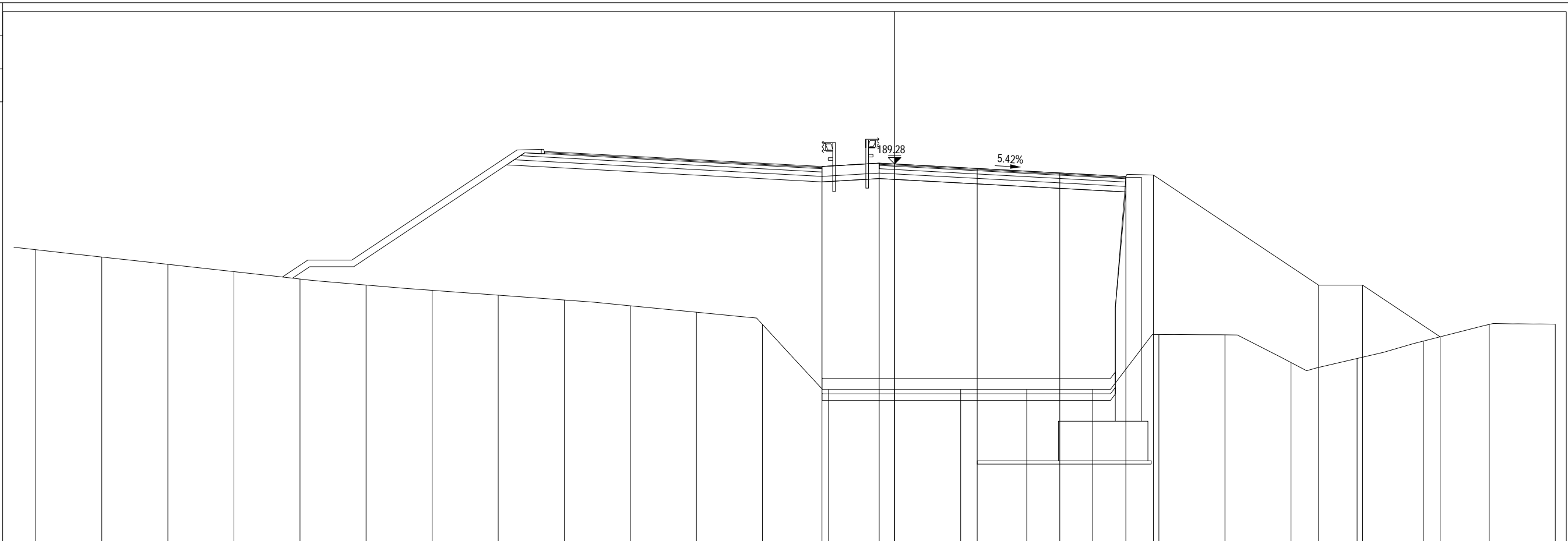
												189.14	189.30	189.26	189.05	188.85	188.69	188.75		183.75	183.75		180.71
--	--	--	--	--	--	--	--	--	--	--	--	--------	--------	--------	--------	--------	--------	--------	--	--------	--------	--	--------

PROFILO 2.6a\_CUNEO

SEZIONE 68

PROGRESSIVA 1339.57

A RILEVATO	m <sup>2</sup>	125.49
AN ANTICAPILLARE	m <sup>2</sup>	6.68
C BINDER	m <sup>2</sup>	0.56
D BASE	m <sup>2</sup>	1.68
MC MISTO CEMENTATO	m <sup>2</sup>	3.41
MS MISTO STABILIZZATO	m <sup>2</sup>	3.45
a USURA	m	11.22
br BONIFICA	m	13.47
sc SCOTICO	m	13.47
tn TNT	m	13.32



PROGRESSIVE TERRENO

-39.00	-36.00	-33.00	-30.00	-27.00	-24.00	-21.00	-18.00	-15.00	-12.00	-9.00	-6.00	-3.00	0.00	3.00	6.00	9.00	12.00	15.00	18.00	21.00	24.00	27.00	30.00
--------	--------	--------	--------	--------	--------	--------	--------	--------	--------	-------	-------	-------	------	------	------	------	-------	-------	-------	-------	-------	-------	-------

PARZIALI TERRENO

3.00	3.00	3.00	3.00	3.00	3.00	3.00	3.00	3.00	3.00	3.00	3.00	3.00	3.00	3.00	3.00	3.00	3.00	3.00	3.00	3.00	3.00	3.00	3.00
------	------	------	------	------	------	------	------	------	------	------	------	------	------	------	------	------	------	------	------	------	------	------	------

QUOTE TERRENO

185.38	185.05	184.72	184.39	184.05	183.78	183.54	183.32	183.10	182.84	182.54	181.99	179.03	179.04	179.04	179.04	179.04	181.53	181.52	180.26	180.44	181.23	181.99	182.00
--------	--------	--------	--------	--------	--------	--------	--------	--------	--------	--------	--------	--------	--------	--------	--------	--------	--------	--------	--------	--------	--------	--------	--------

PROGRESSIVE PROGETTO

												-3.30	-0.70	0.00	3.75	7.50	10.50	11.75		19.25	21.25	24.77	
--	--	--	--	--	--	--	--	--	--	--	--	-------	-------	------	------	------	-------	-------	--	-------	-------	-------	--

PARZIALI PROGETTO

												2.60	0.70	3.75	3.75	3.00	1.25	7.50	2.00	3.52			
--	--	--	--	--	--	--	--	--	--	--	--	------	------	------	------	------	------	------	------	------	--	--	--

QUOTE PROGETTO

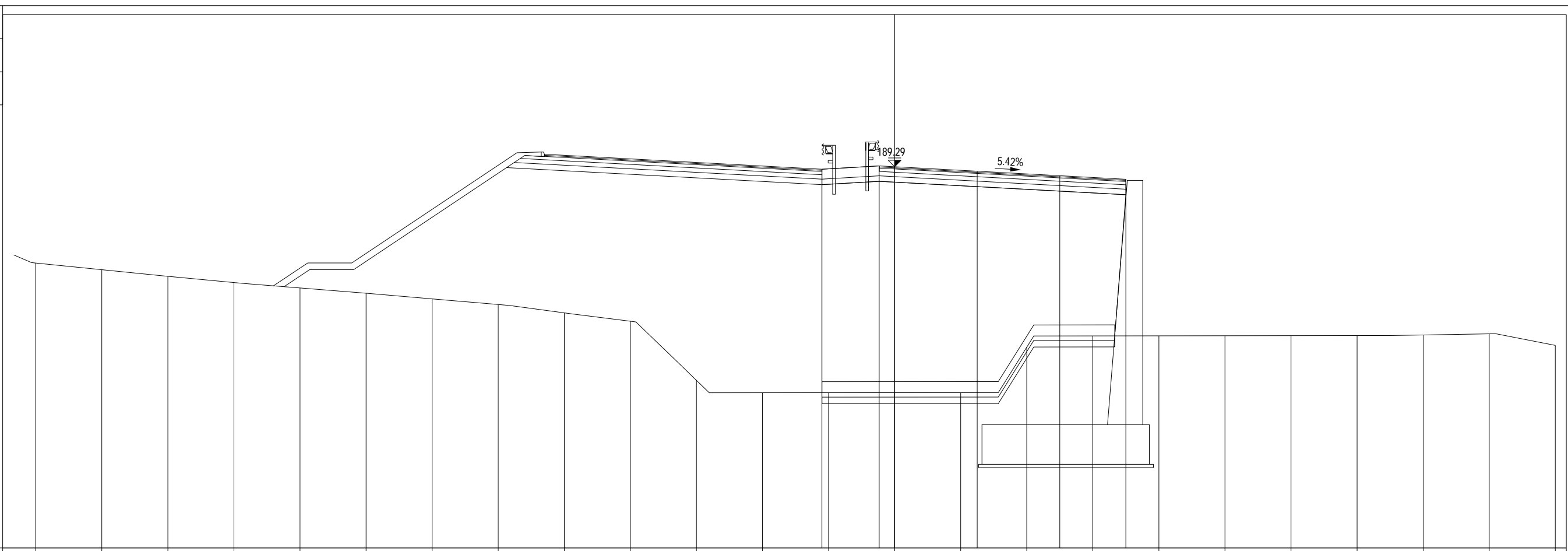
												189.16	189.31	189.28	189.07	188.87	188.71	188.77		183.77	183.77	181.43	
--	--	--	--	--	--	--	--	--	--	--	--	--------	--------	--------	--------	--------	--------	--------	--	--------	--------	--------	--

PROFILO 2.6a\_CUNEO

SEZIONE 69

PROGRESSIVA 1354.92

A RILEVATO	m <sup>2</sup>	114.24
AN ANTICAPILLARE	m <sup>2</sup>	6.64
C BINDER	m <sup>2</sup>	0.56
D BASE	m <sup>2</sup>	1.68
MC MISTO CEMENTATO	m <sup>2</sup>	3.41
MS MISTO STABILIZZATO	m <sup>2</sup>	3.45
a USURA	m	11.22
br BONIFICA	m	14.72
sc SCOTICO	m	14.72
tn TNT	m	13.29



PROGRESSIVE TERRENO

-39.00	-36.00	-33.00	-30.00	-27.00	-24.00	-21.00	-18.00	-15.00	-12.00	-9.00	-6.00	-3.00	0.00	3.00	6.00	9.00	12.00	15.00	18.00	21.00	24.00	27.00	30.00
--------	--------	--------	--------	--------	--------	--------	--------	--------	--------	-------	-------	-------	------	------	------	------	-------	-------	-------	-------	-------	-------	-------

PARZIALI TERRENO

3.00	3.00	3.00	3.00	3.00	3.00	3.00	3.00	3.00	3.00	3.00	3.00	3.00	3.00	3.00	3.00	3.00	3.00	3.00	3.00	3.00	3.00	3.00	3.00
------	------	------	------	------	------	------	------	------	------	------	------	------	------	------	------	------	------	------	------	------	------	------	------

QUOTE TERRENO

184.92	184.62	184.32	184.04	183.79	183.56	183.30	183.04	182.66	182.29	179.60	179.04	179.04	179.04	179.04	181.11	181.62	181.62	181.63	181.63	181.63	181.66	181.71	181.19
--------	--------	--------	--------	--------	--------	--------	--------	--------	--------	--------	--------	--------	--------	--------	--------	--------	--------	--------	--------	--------	--------	--------	--------

PROGRESSIVE PROGETTO

												-3.30	-0.70	0.00	3.75	7.50	10.50						
--	--	--	--	--	--	--	--	--	--	--	--	-------	-------	------	------	------	-------	--	--	--	--	--	--

PARZIALI PROGETTO

												2.60	0.70	3.75	3.75	3.00							
--	--	--	--	--	--	--	--	--	--	--	--	------	------	------	------	------	--	--	--	--	--	--	--

QUOTE PROGETTO

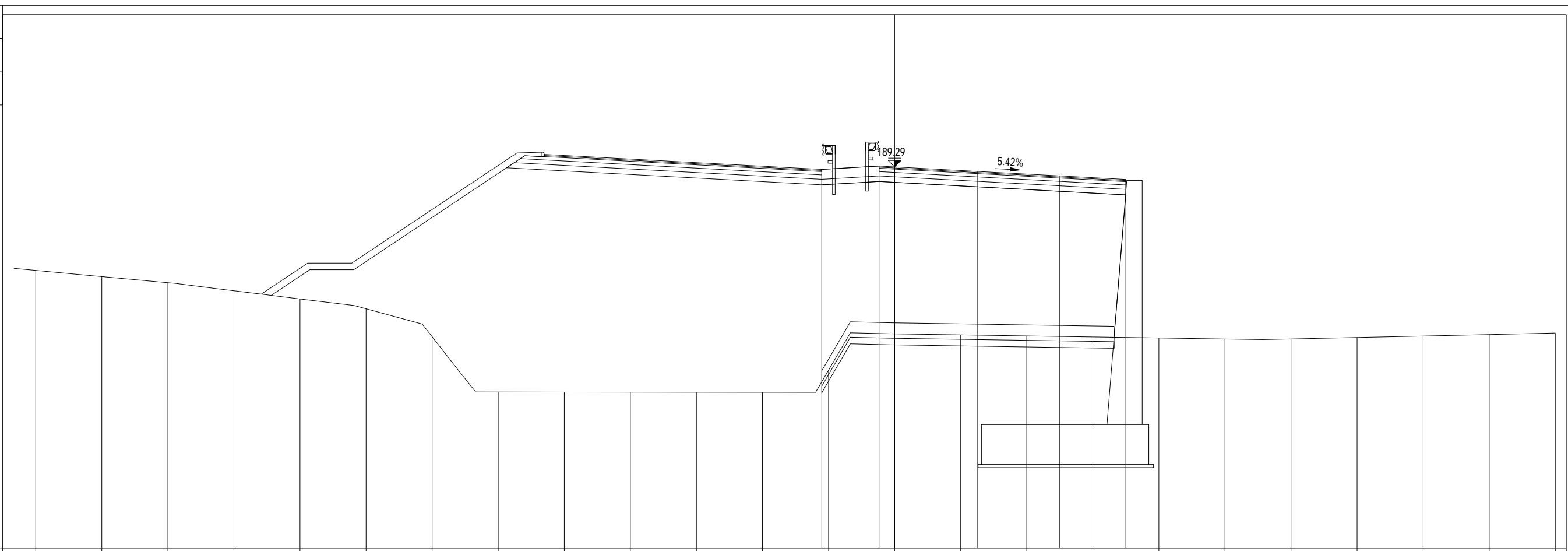
												189.18	189.33	189.29	189.09	188.89	188.72						
--	--	--	--	--	--	--	--	--	--	--	--	--------	--------	--------	--------	--------	--------	--	--	--	--	--	--

PROFILO 2.6a\_CUNEO

SEZIONE 70

PROGRESSIVA 1379.79

A RILEVATO	m <sup>2</sup>	92.31
AN ANTICAPILLARE	m <sup>2</sup>	6.64
C BINDER	m <sup>2</sup>	0.56
D BASE	m <sup>2</sup>	1.68
MC MISTO CEMENTATO	m <sup>2</sup>	3.41
MS MISTO STABILIZZATO	m <sup>2</sup>	3.46
a USURA	m	11.23
br BONIFICA	m	14.54
sc SCOTICO	m	14.54
tn TNT	m	13.27



PROGRESSIVE TERRENO

-39.00	-36.00	-33.00	-30.00	-27.00	-24.00	-21.00	-18.00	-15.00	-12.00	-9.00	-6.00	-3.00	0.00	3.00	6.00	9.00	12.00	15.00	18.00	21.00	24.00	27.00	30.00
--------	--------	--------	--------	--------	--------	--------	--------	--------	--------	-------	-------	-------	------	------	------	------	-------	-------	-------	-------	-------	-------	-------

PARZIALI TERRENO

3.00	3.00	3.00	3.00	3.00	3.00	3.00	3.00	3.00	3.00	3.00	3.00	3.00	3.00	3.00	3.00	3.00	3.00	3.00	3.00	3.00	3.00	3.00	3.00
------	------	------	------	------	------	------	------	------	------	------	------	------	------	------	------	------	------	------	------	------	------	------	------

QUOTE TERRENO

184.59	184.31	184.03	183.67	183.29	182.85	181.58	179.07	179.07	179.07	179.06	179.06	180.06	181.71	181.67	181.62	181.57	181.53	181.48	181.48	181.55	181.61	181.68	181.75
--------	--------	--------	--------	--------	--------	--------	--------	--------	--------	--------	--------	--------	--------	--------	--------	--------	--------	--------	--------	--------	--------	--------	--------

PROGRESSIVE PROGETTO

												-3.31	-0.71	0.00	3.75	7.50	10.50						
--	--	--	--	--	--	--	--	--	--	--	--	-------	-------	------	------	------	-------	--	--	--	--	--	--

PARZIALI PROGETTO

												2.60	0.71	3.75	3.75	3.00							
--	--	--	--	--	--	--	--	--	--	--	--	------	------	------	------	------	--	--	--	--	--	--	--

QUOTE PROGETTO

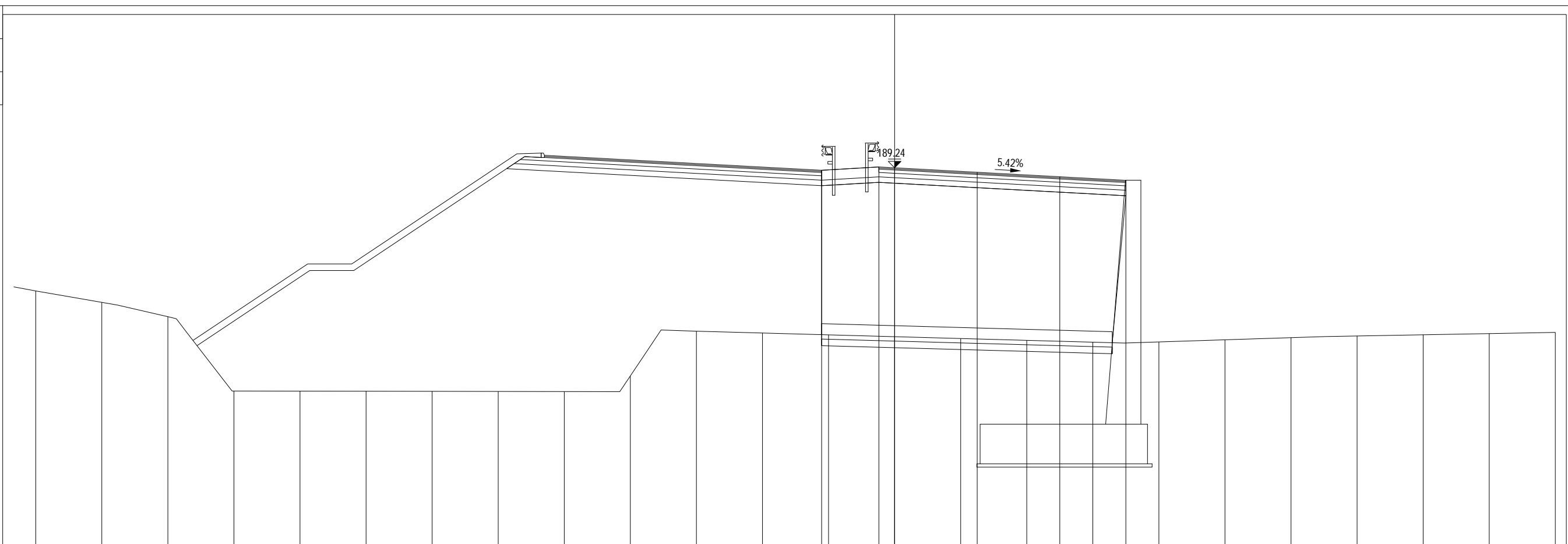
												189.17	189.33	189.29	189.08	188.88	188.72						
--	--	--	--	--	--	--	--	--	--	--	--	--------	--------	--------	--------	--------	--------	--	--	--	--	--	--

PROFILO 2.6a\_CUNEO

SEZIONE 71

PROGRESSIVA 1404.65

A RILEVATO	m <sup>2</sup>	92.53
AN ANTICAPILLARE	m <sup>2</sup>	6.59
C BINDER	m <sup>2</sup>	0.56
D BASE	m <sup>2</sup>	1.68
MC MISTO CEMENTATO	m <sup>2</sup>	3.41
MS MISTO STABILIZZATO	m <sup>2</sup>	3.46
a USURA	m	11.23
br BONIFICA	m	13.20
sc SCOTICO	m	13.20
tn TNT	m	13.19



172

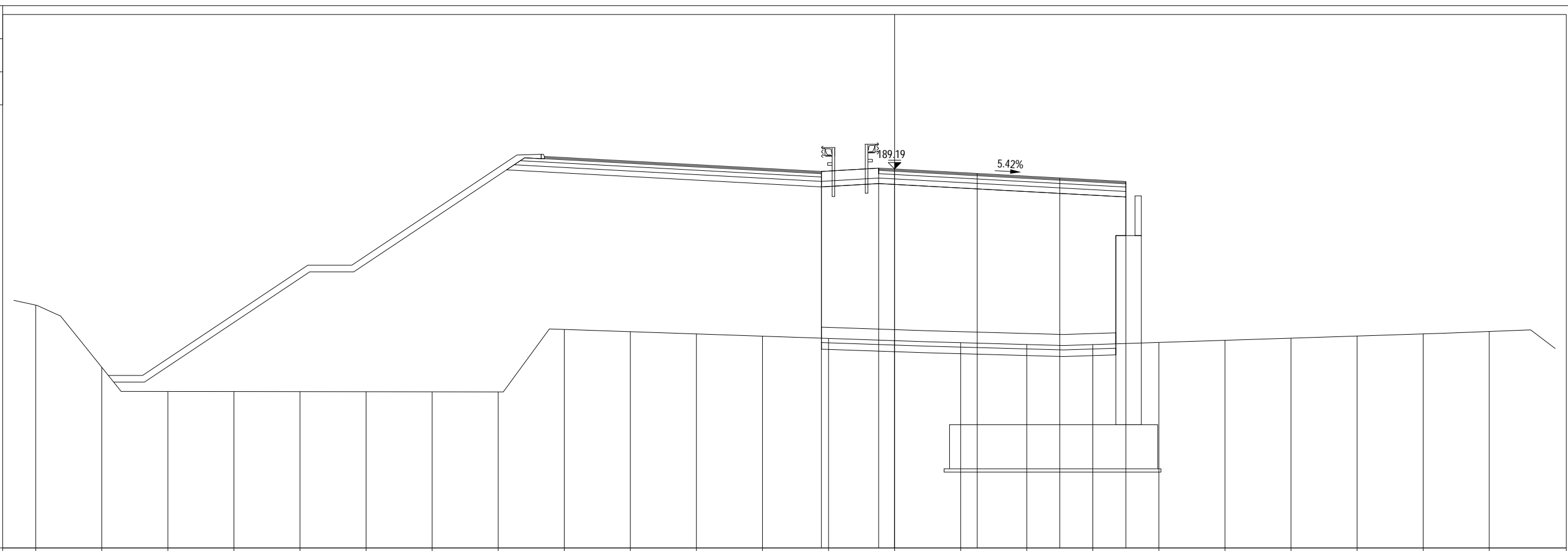
200

PROGRESSIVE TERRENO	-39.00	-36.00	-33.00	-30.00	-27.00	-24.00	-21.00	-18.00	-15.00	-12.00	-9.00	-6.00	-3.00	0.00	3.00	6.00	9.00	12.00	15.00	18.00	21.00	24.00	27.00	30.00
PARZIALI TERRENO		3.00	3.00	3.00	3.00	3.00	3.00	3.00	3.00	3.00	3.00	3.00	3.00	3.00	3.00	3.00	3.00	3.00	3.00	3.00	3.00	3.00	3.00	3.00
QUOTE TERRENO	183.64	183.13	182.48	179.10	179.10	179.09	179.09	179.08	179.08	179.79	181.82	181.73	181.65	181.57	181.48	181.40	181.32	181.33	181.43	181.52	181.60	181.65	181.71	181.76
PROGRESSIVE PROGETTO													-3.31	-0.71	0.00	3.75	7.50	10.50						
PARZIALI PROGETTO													2.60	0.71	3.75	3.75	3.00							
QUOTE PROGETTO													189.12	189.28	189.24	189.03	188.83	188.67						



PROFILO 2.6a\_CUNEO  
 SEZIONE 72  
 PROGRESSIVA 1418.48

- A RILEVATO m<sup>2</sup> 93.86
- AN ANTICAPILLARE m<sup>2</sup> 6.67
- C BINDER m<sup>2</sup> 0.56
- D BASE m<sup>2</sup> 1.69
- MC MISTO CEMENTATO m<sup>2</sup> 3.41
- MS MISTO STABILIZZATO m<sup>2</sup> 3.46
- a USURA m 11.24
- br BONIFICA m 13.37
- sc SCOTICO m 13.37
- tn TNT m 13.37



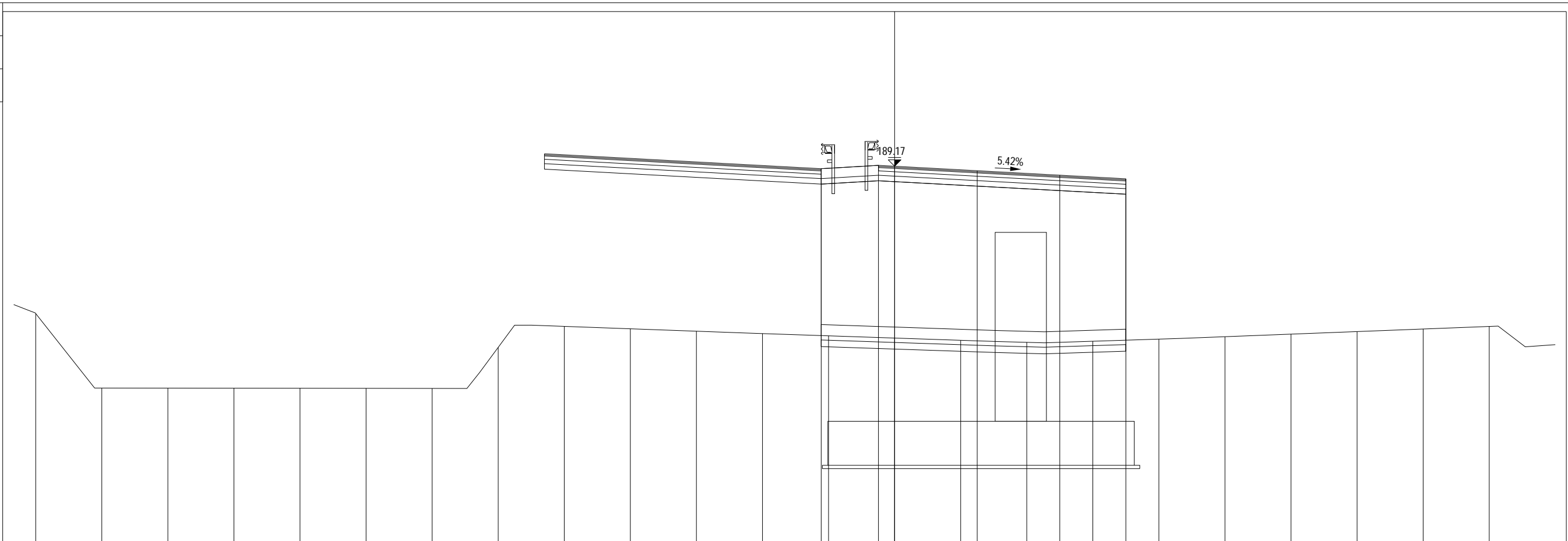
PROGRESSIVE TERRENO	-39.00	-36.00	-33.00	-30.00	-27.00	-24.00	-21.00	-18.00	-15.00	-12.00	-9.00	-6.00	-3.00	0.00	3.00	6.00	9.00	12.00	15.00	18.00	21.00	24.00	27.00
PARZIALI TERRENO		3.00	3.00	3.00	3.00	3.00	3.00	3.00	3.00	3.00	3.00	3.00	3.00	3.00	3.00	3.00	3.00	3.00	3.00	3.00	3.00	3.00	3.00
QUOTE TERRENO	183.01	180.19	179.10	179.09	179.09	179.09	179.08	179.08	181.91	181.81	181.71	181.61	181.51	181.40	181.31	181.23	181.23	181.32	181.42	181.52	181.61	181.71	181.82
PROGRESSIVE PROGETTO													-3.32	-0.72	0.00	3.75	7.50	10.50					
PARZIALI PROGETTO													2.60	0.72	3.75	3.75	3.00						
QUOTE PROGETTO													189.08	189.23	189.19	188.99	188.78	188.62					

PROFILO 2.6a\_CUNEO

SEZIONE 73

PROGRESSIVA 1422.66

A RILEVATO	m <sup>2</sup>	96.30
AN ANTICAPILLARE	m <sup>2</sup>	6.92
C BINDER	m <sup>2</sup>	0.56
D BASE	m <sup>2</sup>	1.68
MC MISTO CEMENTATO	m <sup>2</sup>	3.42
MS MISTO STABILIZZATO	m <sup>2</sup>	3.46
a USURA	m	11.25
br BONIFICA	m	13.83
sc SCOTICO	m	13.83
tn TNT	m	13.83



PROGRESSIVE TERRENO

-39.00	-36.00	-33.00	-30.00	-27.00	-24.00	-21.00	-18.00	-15.00	-12.00	-9.00	-6.00	-3.00	0.00	3.00	6.00	9.00	12.00	15.00	18.00	21.00	24.00	27.00
--------	--------	--------	--------	--------	--------	--------	--------	--------	--------	-------	-------	-------	------	------	------	------	-------	-------	-------	-------	-------	-------

PARZIALI TERRENO

3.00	3.00	3.00	3.00	3.00	3.00	3.00	3.00	3.00	3.00	3.00	3.00	3.00	3.00	3.00	3.00	3.00	3.00	3.00	3.00	3.00	3.00	3.00
------	------	------	------	------	------	------	------	------	------	------	------	------	------	------	------	------	------	------	------	------	------	------

QUOTE TERRENO

182.48	179.10	179.10	179.09	179.09	179.09	179.08	180.95	181.90	181.79	181.68	181.57	181.47	181.37	181.27	181.18	181.23	181.32	181.43	181.55	181.66	181.78	181.90
--------	--------	--------	--------	--------	--------	--------	--------	--------	--------	--------	--------	--------	--------	--------	--------	--------	--------	--------	--------	--------	--------	--------

PROGRESSIVE PROGETTO

												-3.33	-0.73	0.00	3.75	7.50	10.50					
--	--	--	--	--	--	--	--	--	--	--	--	-------	-------	------	------	------	-------	--	--	--	--	--

PARZIALI PROGETTO

												2.60	0.73	3.75	3.75	3.00						
--	--	--	--	--	--	--	--	--	--	--	--	------	------	------	------	------	--	--	--	--	--	--

QUOTE PROGETTO

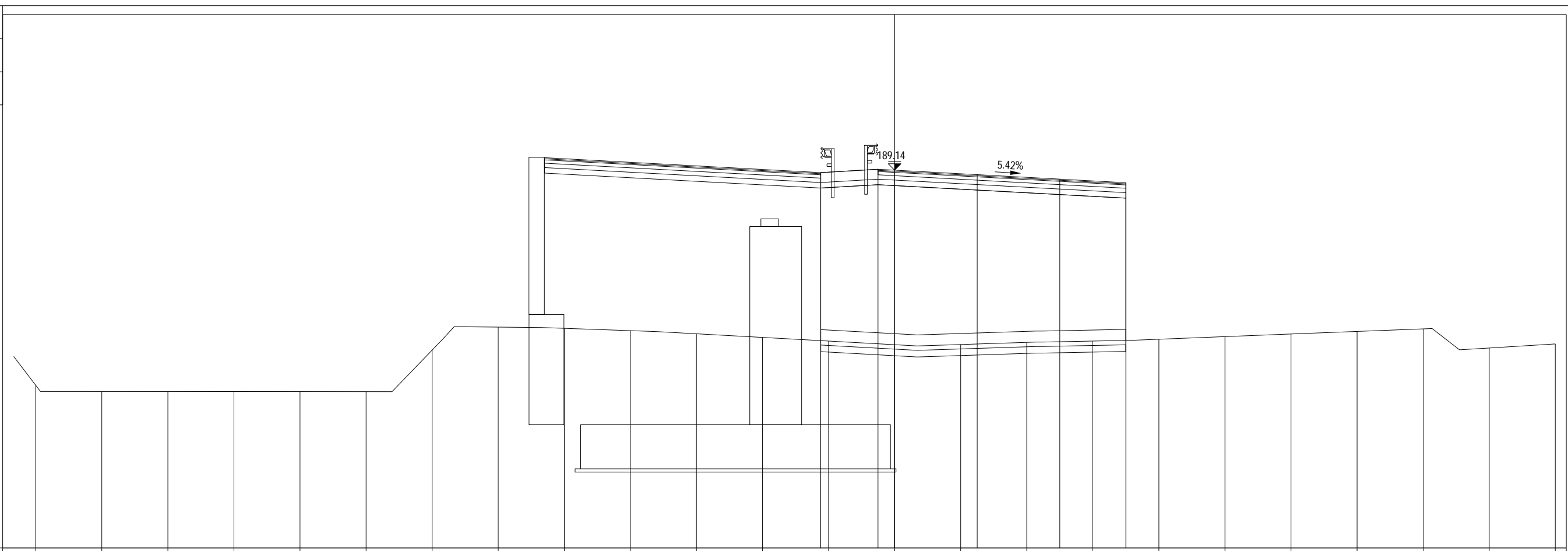
												189.06	189.21	189.17	188.97	188.77	188.60					
--	--	--	--	--	--	--	--	--	--	--	--	--------	--------	--------	--------	--------	--------	--	--	--	--	--

PROFILO 2.6a\_CUNEO

SEZIONE 74

PROGRESSIVA 1430.97

A RILEVATO	m <sup>2</sup>	95.86
AN ANTICAPILLARE	m <sup>2</sup>	6.93
C BINDER	m <sup>2</sup>	0.56
D BASE	m <sup>2</sup>	1.69
MC MISTO CEMENTATO	m <sup>2</sup>	3.42
MS MISTO STABILIZZATO	m <sup>2</sup>	3.46
a USURA	m	11.27
br BONIFICA	m	13.86
sc SCOTICO	m	13.86
tn TNT	m	13.85



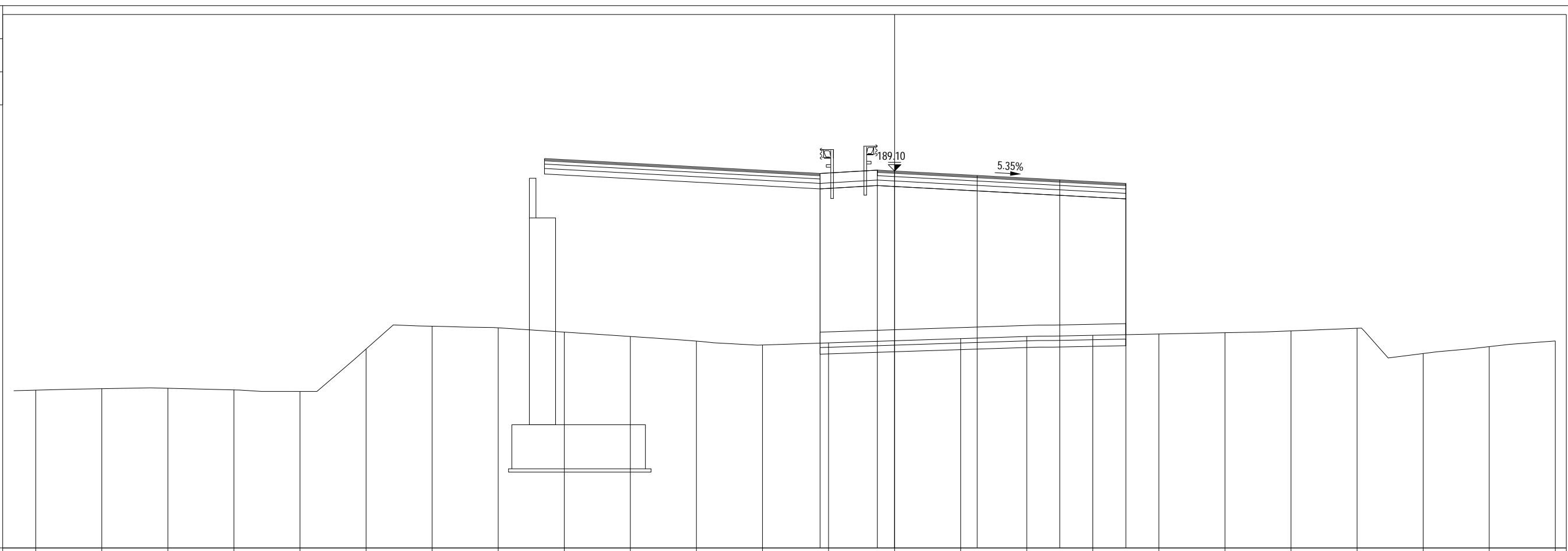
PROGRESSIVE TERRENO	-39.00	-36.00	-33.00	-30.00	-27.00	-24.00	-21.00	-18.00	-15.00	-12.00	-9.00	-6.00	-3.00	0.00	3.00	6.00	9.00	12.00	15.00	18.00	21.00	24.00	27.00	30.00
PARZIALI TERRENO		3.00	3.00	3.00	3.00	3.00	3.00	3.00	3.00	3.00	3.00	3.00	3.00	3.00	3.00	3.00	3.00	3.00	3.00	3.00	3.00	3.00	3.00	3.00
QUOTE TERRENO	179.38	179.10	179.10	179.10	179.09	179.09	180.97	182.02	181.96	181.86	181.72	181.55	181.39	181.22	181.23	181.33	181.38	181.47	181.59	181.71	181.82	181.94	181.07	181.26
PROGRESSIVE PROGETTO													-3.35	-0.75	0.00	3.75	7.50	10.50						
PARZIALI PROGETTO													2.60	0.75	3.75	3.75	3.00							
QUOTE PROGETTO													189.03	189.18	189.14	188.93	188.73	188.57						

PROFILO 2.6a\_CUNEO

SEZIONE 75

PROGRESSIVA 1439.09

A RILEVATO	m <sup>2</sup>	92.77
AN ANTICAPILLARE	m <sup>2</sup>	6.95
C BINDER	m <sup>2</sup>	0.57
D BASE	m <sup>2</sup>	1.69
MC MISTO CEMENTATO	m <sup>2</sup>	3.43
MS MISTO STABILIZZATO	m <sup>2</sup>	3.47
a USURA	m	11.31
br BONIFICA	m	13.90
sc SCOTICO	m	13.90
tn TNT	m	13.89



PROGRESSIVE TERRENO

-39.00	-36.00	-33.00	-30.00	-27.00	-24.00	-21.00	-18.00	-15.00	-12.00	-9.00	-6.00	-3.00	0.00	3.00	6.00	9.00	12.00	15.00	18.00	21.00	24.00	27.00	30.00
--------	--------	--------	--------	--------	--------	--------	--------	--------	--------	-------	-------	-------	------	------	------	------	-------	-------	-------	-------	-------	-------	-------

PARZIALI TERRENO

3.00	3.00	3.00	3.00	3.00	3.00	3.00	3.00	3.00	3.00	3.00	3.00	3.00	3.00	3.00	3.00	3.00	3.00	3.00	3.00	3.00	3.00	3.00	3.00
------	------	------	------	------	------	------	------	------	------	------	------	------	------	------	------	------	------	------	------	------	------	------	------

QUOTE TERRENO

179.16	179.22	179.24	179.17	179.10	181.03	182.06	181.99	181.79	181.59	181.38	181.21	181.30	181.40	181.50	181.59	181.65	181.70	181.76	181.85	181.96	180.82	181.13	181.39
--------	--------	--------	--------	--------	--------	--------	--------	--------	--------	--------	--------	--------	--------	--------	--------	--------	--------	--------	--------	--------	--------	--------	--------

PROGRESSIVE PROGETTO

												-3.39	-0.79	0.00	3.75	7.50	10.50						
--	--	--	--	--	--	--	--	--	--	--	--	-------	-------	------	------	------	-------	--	--	--	--	--	--

PARZIALI PROGETTO

												2.60	0.79	3.75	3.75	3.00							
--	--	--	--	--	--	--	--	--	--	--	--	------	------	------	------	------	--	--	--	--	--	--	--

QUOTE PROGETTO

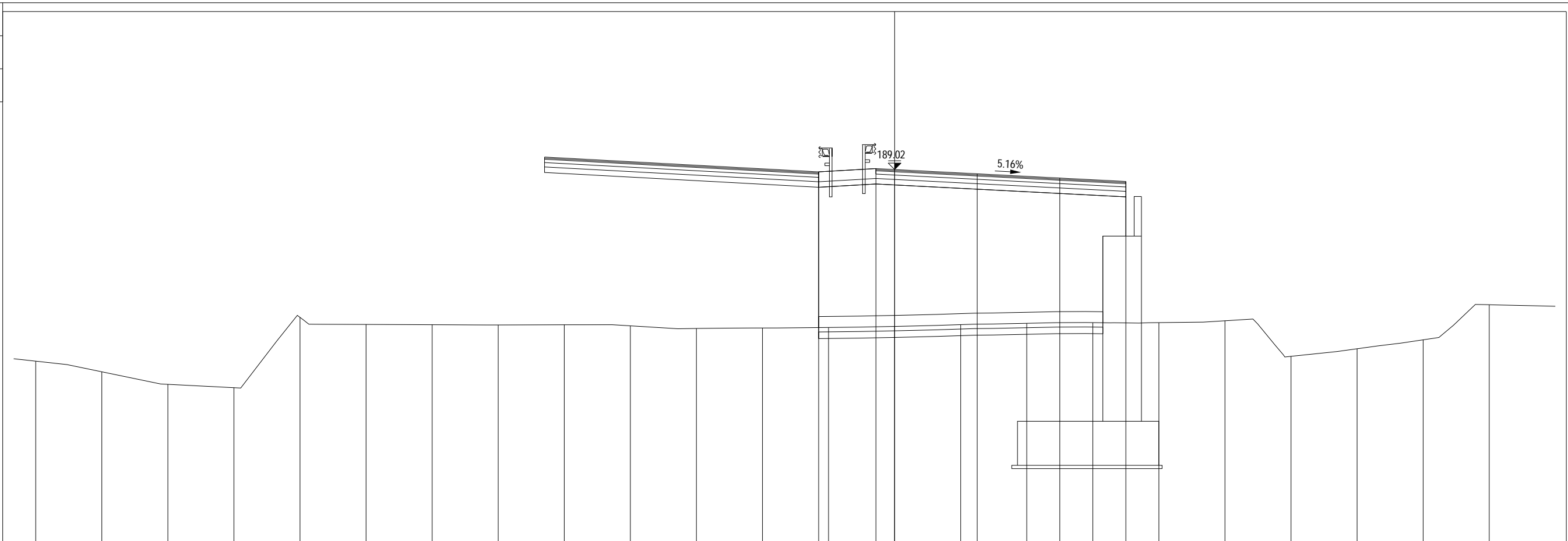
												188.99	189.14	189.10	188.90	188.70	188.54						
--	--	--	--	--	--	--	--	--	--	--	--	--------	--------	--------	--------	--------	--------	--	--	--	--	--	--

PROFILO 2.6a\_CUNEO

SEZIONE 76

PROGRESSIVA 1451.79

A RILEVATO	m <sup>2</sup>	81.53
AN ANTICAPILLARE	m <sup>2</sup>	6.46
C BINDER	m <sup>2</sup>	0.57
D BASE	m <sup>2</sup>	1.70
MC MISTO CEMENTATO	m <sup>2</sup>	3.44
MS MISTO STABILIZZATO	m <sup>2</sup>	3.49
a USURA	m	11.37
br BONIFICA	m	12.90
sc SCOTICO	m	12.90
tn TNT	m	12.90



PROGRESSIVE TERRENO

-39.00	-36.00	-33.00	-30.00	-27.00	-24.00	-21.00	-18.00	-15.00	-12.00	-9.00	-6.00	-3.00	0.00	3.00	6.00	9.00	12.00	15.00	18.00	21.00	24.00	27.00
--------	--------	--------	--------	--------	--------	--------	--------	--------	--------	-------	-------	-------	------	------	------	------	-------	-------	-------	-------	-------	-------

PARZIALI TERRENO

3.00	3.00	3.00	3.00	3.00	3.00	3.00	3.00	3.00	3.00	3.00	3.00	3.00	3.00	3.00	3.00	3.00	3.00	3.00	3.00	3.00	3.00	3.00
------	------	------	------	------	------	------	------	------	------	------	------	------	------	------	------	------	------	------	------	------	------	------

QUOTE TERRENO

180.32	179.84	179.27	179.12	182.31	181.99	181.96	181.96	181.97	181.93	181.81	181.83	181.85	181.90	181.98	182.04	182.07	182.07	182.16	180.54	180.88	181.29	182.88
--------	--------	--------	--------	--------	--------	--------	--------	--------	--------	--------	--------	--------	--------	--------	--------	--------	--------	--------	--------	--------	--------	--------

PROGRESSIVE PROGETTO

												-3.45	-0.85	0.00	3.75	7.50	10.50					
--	--	--	--	--	--	--	--	--	--	--	--	-------	-------	------	------	------	-------	--	--	--	--	--

PARZIALI PROGETTO

												2.60	0.85	3.75	3.75	3.00					
--	--	--	--	--	--	--	--	--	--	--	--	------	------	------	------	------	--	--	--	--	--

QUOTE PROGETTO

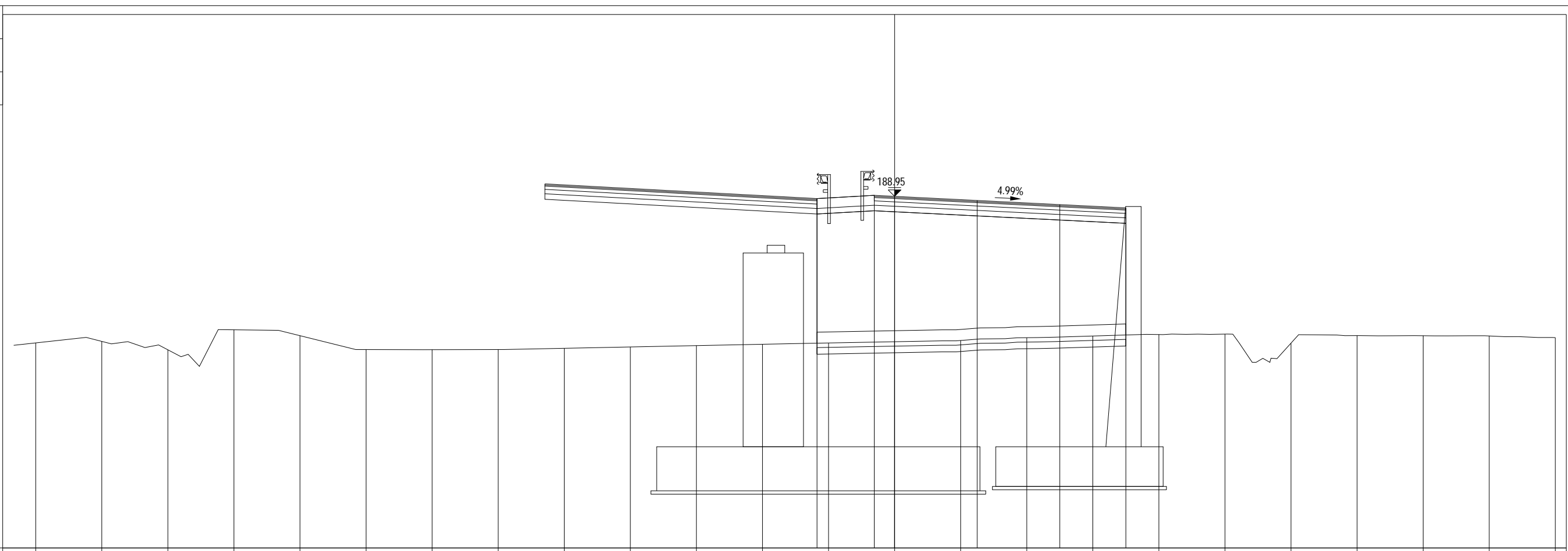
												188.92	189.07	189.02	188.83	188.64	188.48				
--	--	--	--	--	--	--	--	--	--	--	--	--------	--------	--------	--------	--------	--------	--	--	--	--

PROFILO 2.6a\_CUNEO

SEZIONE 77

PROGRESSIVA 1463.26

A RILEVATO	m <sup>2</sup>	78.45
AN ANTICAPILLARE	m <sup>2</sup>	7.01
C BINDER	m <sup>2</sup>	0.57
D BASE	m <sup>2</sup>	1.71
MC MISTO CEMENTATO	m <sup>2</sup>	3.45
MS MISTO STABILIZZATO	m <sup>2</sup>	3.51
a USURA	m	11.43
br BONIFICA	m	14.02
sc SCOTICO	m	14.02
tn TNT	m	14.02



PROGRESSIVE TERRENO

-39.00	-36.00	-33.00	-30.00	-27.00	-24.00	-21.00	-18.00	-15.00	-12.00	-9.00	-6.00	-3.00	0.00	3.00	6.00	9.00	12.00	15.00	18.00	21.00	24.00	27.00	30.00
--------	--------	--------	--------	--------	--------	--------	--------	--------	--------	-------	-------	-------	------	------	------	------	-------	-------	-------	-------	-------	-------	-------

PARZIALI TERRENO

3.00	3.00	3.00	3.00	3.00	3.00	3.00	3.00	3.00	3.00	3.00	3.00	3.00	3.00	3.00	3.00	3.00	3.00	3.00	3.00	3.00	3.00	3.00	3.00
------	------	------	------	------	------	------	------	------	------	------	------	------	------	------	------	------	------	------	------	------	------	------	------

QUOTE TERRENO

182.30	182.37	181.99	182.90	182.63	182.00	181.99	182.00	182.06	182.12	182.18	182.24	182.30	182.35	182.41	182.54	182.61	182.68	182.70	182.29	182.63	182.63	182.62	182.54
--------	--------	--------	--------	--------	--------	--------	--------	--------	--------	--------	--------	--------	--------	--------	--------	--------	--------	--------	--------	--------	--------	--------	--------

PROGRESSIVE PROGETTO

												-3.52	-0.92	0.00	3.75	7.50	10.50						
--	--	--	--	--	--	--	--	--	--	--	--	-------	-------	------	------	------	-------	--	--	--	--	--	--

PARZIALI PROGETTO

												2.60	0.92	3.75	3.75	3.00							
--	--	--	--	--	--	--	--	--	--	--	--	------	------	------	------	------	--	--	--	--	--	--	--

QUOTE PROGETTO

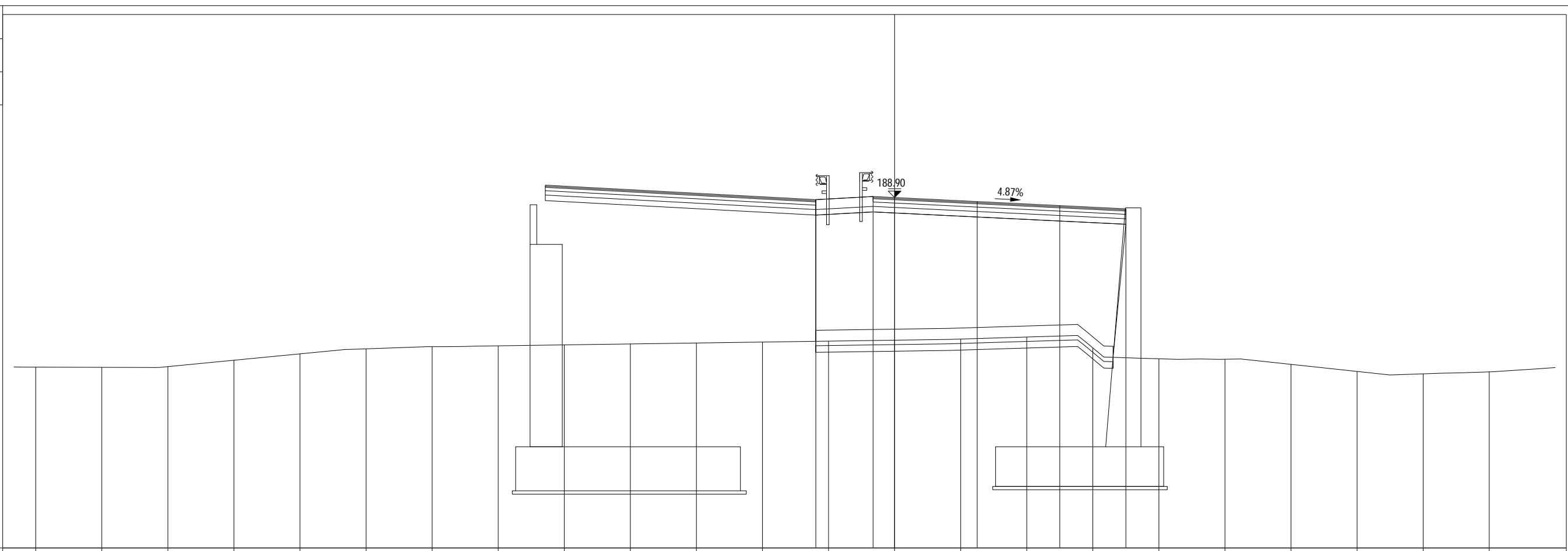
												188.85	189.00	188.95	188.76	188.58	188.43						
--	--	--	--	--	--	--	--	--	--	--	--	--------	--------	--------	--------	--------	--------	--	--	--	--	--	--

PROFILO 2.6a\_CUNEO

SEZIONE 78

PROGRESSIVA 1470.74

A RILEVATO	m <sup>2</sup>	77.17
AN ANTICAPILLARE	m <sup>2</sup>	6.75
C BINDER	m <sup>2</sup>	0.57
D BASE	m <sup>2</sup>	1.72
MC MISTO CEMENTATO	m <sup>2</sup>	3.47
MS MISTO STABILIZZATO	m <sup>2</sup>	3.52
a USURA	m	11.49
br BONIFICA	m	13.86
sc SCOTICO	m	13.86
tn TNT	m	13.50



173  
200

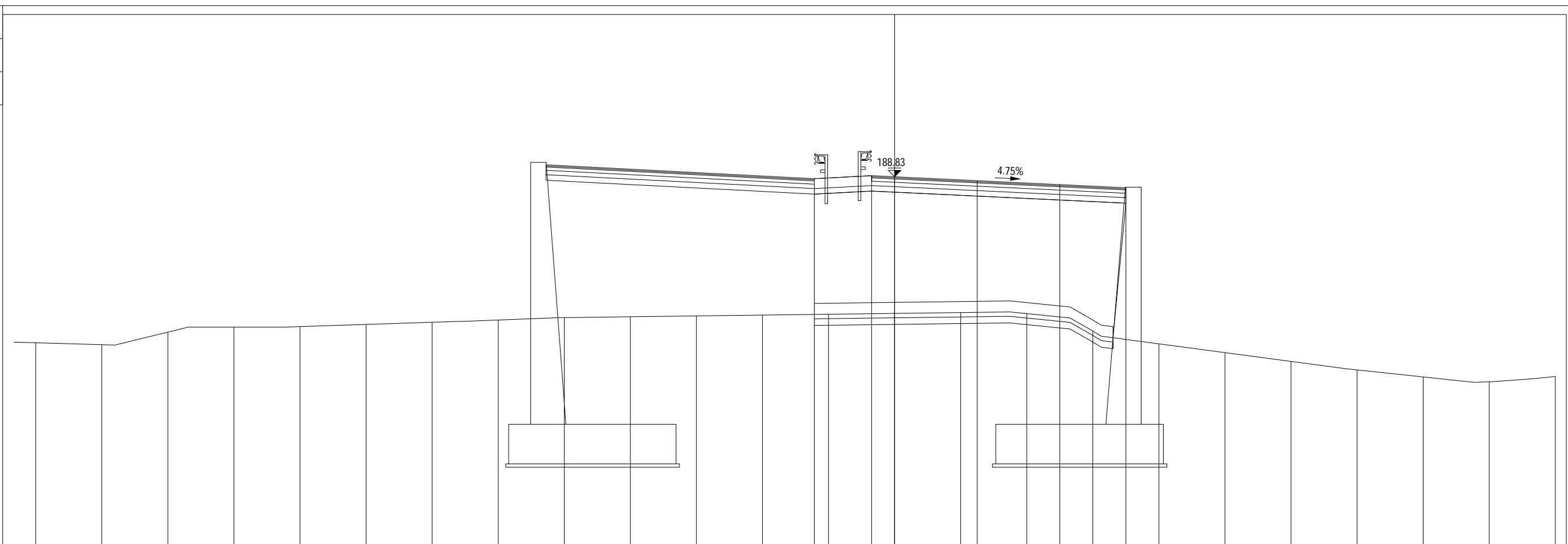
PROGRESSIVE TERRENO	-39.00	-36.00	-33.00	-30.00	-27.00	-24.00	-21.00	-18.00	-15.00	-12.00	-9.00	-6.00	-3.00	0.00	3.00	6.00	9.00	12.00	15.00	18.00	21.00	24.00	27.00
PARZIALI TERRENO		3.00	3.00	3.00	3.00	3.00	3.00	3.00	3.00	3.00	3.00	3.00	3.00	3.00	3.00	3.00	3.00	3.00	3.00	3.00	3.00	3.00	3.00
QUOTE TERRENO	181.20	181.19	181.23	181.52	181.80	182.03	182.13	182.17	182.21	182.25	182.30	182.34	182.38	182.42	182.48	182.57	182.08	181.58	181.56	181.33	181.01	180.90	180.99
PROGRESSIVE PROGETTO													-3.58	-0.98	0.00	3.75	7.50	10.50					
PARZIALI PROGETTO													2.60	0.98	3.75	3.75	3.00						
QUOTE PROGETTO													188.80	188.94	188.90	188.71	188.53	188.38					

PROFILO 2.6a\_CUNEO

SEZIONE 79

PROGRESSIVA 1479.25

A RILEVATO	m <sup>2</sup>	75.67
AN ANTICAPILLARE	m <sup>2</sup>	6.79
C BINDER	m <sup>2</sup>	0.58
D BASE	m <sup>2</sup>	1.73
MC MISTO CEMENTATO	m <sup>2</sup>	3.48
MS MISTO STABILIZZATO	m <sup>2</sup>	3.54
a USURA	m	11.56
br BONIFICA	m	13.80
sc SCOTICO	m	13.80
tn TNT	m	13.57



PROGRESSIVE TERRENO

-39.00	-36.00	-33.00	-30.00	-27.00	-24.00	-21.00	-18.00	-15.00	-12.00	-9.00	-6.00	-3.00	0.00	3.00	6.00	9.00	12.00	15.00	18.00	21.00	24.00	27.00	30.00
--------	--------	--------	--------	--------	--------	--------	--------	--------	--------	-------	-------	-------	------	------	------	------	-------	-------	-------	-------	-------	-------	-------

PARZIALI TERRENO

3.00	3.00	3.00	3.00	3.00	3.00	3.00	3.00	3.00	3.00	3.00	3.00	3.00	3.00	3.00	3.00	3.00	3.00	3.00	3.00	3.00	3.00	3.00	3.00
------	------	------	------	------	------	------	------	------	------	------	------	------	------	------	------	------	------	------	------	------	------	------	------

QUOTE TERRENO

181.29	181.20	181.78	182.00	182.03	182.12	182.22	182.32	182.43	182.47	182.51	182.55	182.59	182.62	182.66	182.61	181.82	181.24	180.84	180.44	180.06	179.74	179.52	179.76
--------	--------	--------	--------	--------	--------	--------	--------	--------	--------	--------	--------	--------	--------	--------	--------	--------	--------	--------	--------	--------	--------	--------	--------

PROGRESSIVE PROGETTO

												-3.65	-1.05	0.00	3.75	7.50	10.50						
--	--	--	--	--	--	--	--	--	--	--	--	-------	-------	------	------	------	-------	--	--	--	--	--	--

PARZIALI PROGETTO

												2.60	1.05	3.75	3.75	3.00							
--	--	--	--	--	--	--	--	--	--	--	--	------	------	------	------	------	--	--	--	--	--	--	--

QUOTE PROGETTO

												188.74	188.88	188.83	188.65	188.47	188.33						
--	--	--	--	--	--	--	--	--	--	--	--	--------	--------	--------	--------	--------	--------	--	--	--	--	--	--

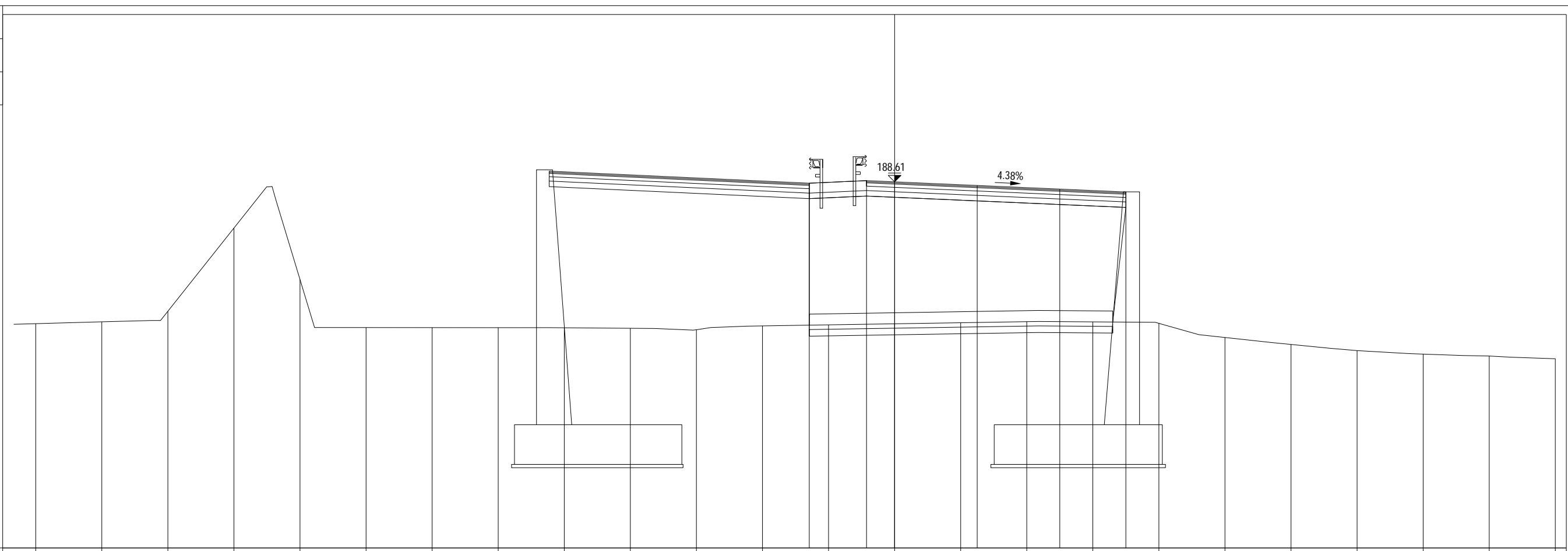


PROFILO 2.6a\_CUNEO

SEZIONE 80

PROGRESSIVA 1504.14

A RILEVATO	m <sup>2</sup>	77.98
AN ANTICAPILLARE	m <sup>2</sup>	6.89
C BINDER	m <sup>2</sup>	0.59
D BASE	m <sup>2</sup>	1.76
MC MISTO CEMENTATO	m <sup>2</sup>	3.53
MS MISTO STABILIZZATO	m <sup>2</sup>	3.60
a USURA	m	11.79
br BONIFICA	m	13.78
sc SCOTICO	m	13.78
tn TNT	m	13.78



PROGRESSIVE TERRENO

-39.00	-36.00	-33.00	-30.00	-27.00	-24.00	-21.00	-18.00	-15.00	-12.00	-9.00	-6.00	-3.00	0.00	3.00	6.00	9.00	12.00	15.00	18.00	21.00	24.00	27.00	30.00
--------	--------	--------	--------	--------	--------	--------	--------	--------	--------	-------	-------	-------	------	------	------	------	-------	-------	-------	-------	-------	-------	-------

PARZIALI TERRENO

3.00	3.00	3.00	3.00	3.00	3.00	3.00	3.00	3.00	3.00	3.00	3.00	3.00	3.00	3.00	3.00	3.00	3.00	3.00	3.00	3.00	3.00	3.00	3.00
------	------	------	------	------	------	------	------	------	------	------	------	------	------	------	------	------	------	------	------	------	------	------	------

QUOTE TERRENO

182.17	182.26	182.74	186.51	184.18	182.00	182.00	181.99	181.99	181.96	181.90	182.07	182.12	182.17	182.22	182.26	182.26	182.19	181.55	181.23	180.95	180.79	180.71	180.59
--------	--------	--------	--------	--------	--------	--------	--------	--------	--------	--------	--------	--------	--------	--------	--------	--------	--------	--------	--------	--------	--------	--------	--------

PROGRESSIVE PROGETTO

												-3.88	-1.28	0.00	3.75	7.50	10.50						
--	--	--	--	--	--	--	--	--	--	--	--	-------	-------	------	------	------	-------	--	--	--	--	--	--

PARZIALI PROGETTO

												2.60	1.28	3.75	3.75	3.00							
--	--	--	--	--	--	--	--	--	--	--	--	------	------	------	------	------	--	--	--	--	--	--	--

QUOTE PROGETTO

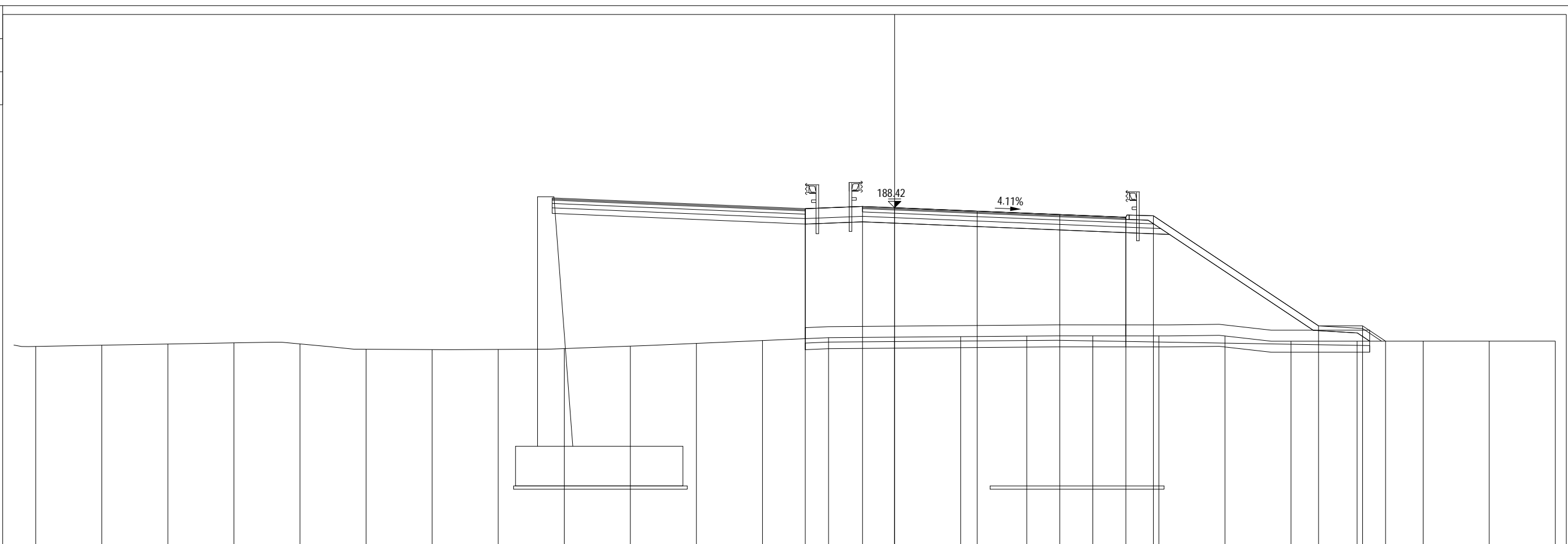
												188.55	188.66	188.61	188.44	188.28	188.15						
--	--	--	--	--	--	--	--	--	--	--	--	--------	--------	--------	--------	--------	--------	--	--	--	--	--	--

PROFILO 2.6a\_CUNEO

SEZIONE 81

PROGRESSIVA 1521.84

A RILEVATO	m <sup>2</sup>	99.85
AN ANTICAPILLARE	m <sup>2</sup>	12.85
C BINDER	m <sup>2</sup>	0.60
D BASE	m <sup>2</sup>	1.96
MC MISTO CEMENTATO	m <sup>2</sup>	3.87
MS MISTO STABILIZZATO	m <sup>2</sup>	4.09
VR VEGETALE RIL	m <sup>2</sup>	3.68
a USURA	m	11.97
br BONIFICA	m	25.70
sc SCOTICO	m	25.70
tn TNT	m	25.68



PROGRESSIVE TERRENO

-39.00	-36.00	-33.00	-30.00	-27.00	-24.00	-21.00	-18.00	-15.00	-12.00	-9.00	-6.00	-3.00	0.00	3.00	6.00	9.00	12.00	15.00	18.00	21.00	24.00	27.00	30.00
--------	--------	--------	--------	--------	--------	--------	--------	--------	--------	-------	-------	-------	------	------	------	------	-------	-------	-------	-------	-------	-------	-------

PARZIALI TERRENO

3.00	3.00	3.00	3.00	3.00	3.00	3.00	3.00	3.00	3.00	3.00	3.00	3.00	3.00	3.00	3.00	3.00	3.00	3.00	3.00	3.00	3.00	3.00	3.00
------	------	------	------	------	------	------	------	------	------	------	------	------	------	------	------	------	------	------	------	------	------	------	------

QUOTE TERRENO

182.12	182.18	182.23	182.29	182.24	182.00	181.96	181.99	182.03	182.14	182.26	182.39	182.52	182.55	182.57	182.59	182.60	182.60	182.60	182.36	182.36	182.36	182.37	182.37
--------	--------	--------	--------	--------	--------	--------	--------	--------	--------	--------	--------	--------	--------	--------	--------	--------	--------	--------	--------	--------	--------	--------	--------

PROGRESSIVE PROGETTO

												-4.06	-1.46	0.00	3.75	7.50	10.50	11.75		19.25	21.25	22.29	
--	--	--	--	--	--	--	--	--	--	--	--	-------	-------	------	------	------	-------	-------	--	-------	-------	-------	--

PARZIALI PROGETTO

												2.60	1.46	3.75	3.75	3.00	1.25	7.50		2.00	1.04		
--	--	--	--	--	--	--	--	--	--	--	--	------	------	------	------	------	------	------	--	------	------	--	--

QUOTE PROGETTO

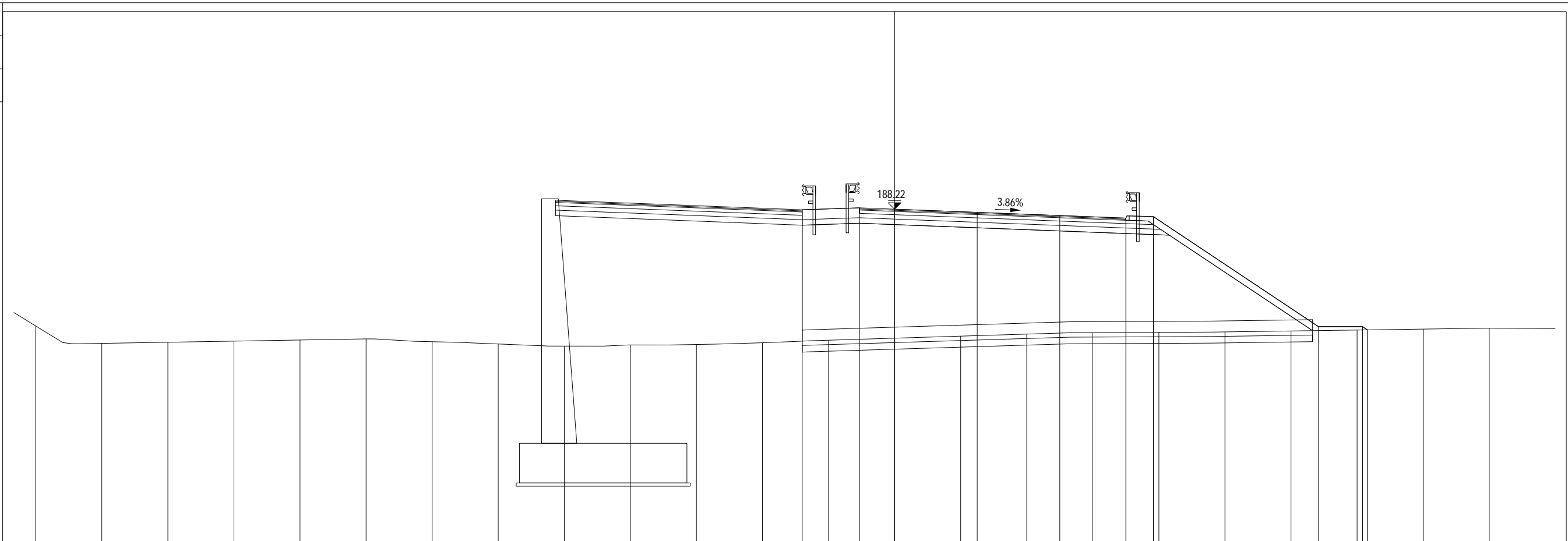
												188.38	188.48	188.42	188.27	188.11	187.99	188.06		183.06	183.06	182.36	
--	--	--	--	--	--	--	--	--	--	--	--	--------	--------	--------	--------	--------	--------	--------	--	--------	--------	--------	--

PROFILO 2.6a\_CUNEO

SEZIONE 82

PROGRESSIVA 1539.02

A RILEVATO	m <sup>2</sup>	95.93
AN ANTICAPILLARE	m <sup>2</sup>	11.62
C BINDER	m <sup>2</sup>	0.60
D BASE	m <sup>2</sup>	2.01
MC MISTO CEMENTATO	m <sup>2</sup>	3.88
MS MISTO STABILIZZATO	m <sup>2</sup>	4.13
VR VEGETALE RIL	m <sup>2</sup>	2.92
a USURA	m	12.11
br BONIFICA	m	23.24
sc SCOTICO	m	23.24
tn TNT	m	23.23



173

PROGRESSIVE TERRENO

PARZIALI TERRENO

QUOTE TERRENO

PROGRESSIVE PROGETTO

PARZIALI PROGETTO

QUOTE PROGETTO

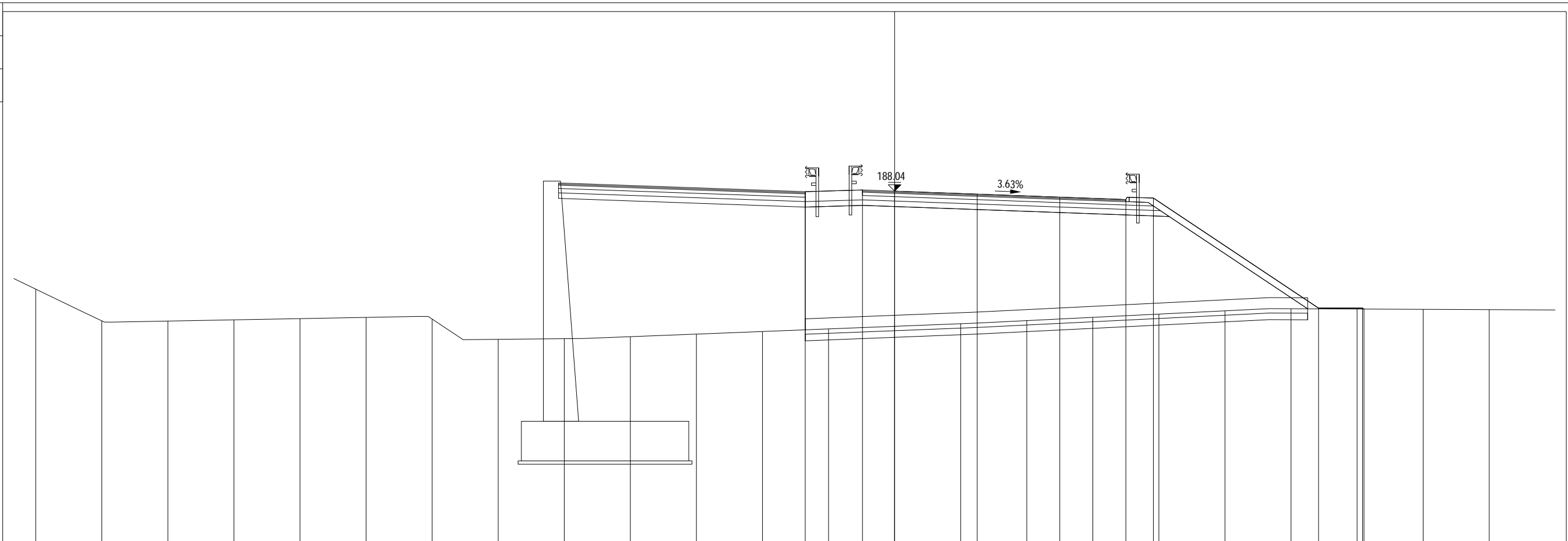
PROGRESSIVE TERRENO	-39.00	-36.00	-33.00	-30.00	-27.00	-24.00	-21.00	-18.00	-15.00	-12.00	-9.00	-6.00	-3.00	0.00	3.00	6.00	9.00	12.00	15.00	18.00	21.00	24.00	27.00
PARZIALI TERRENO		3.00	3.00	3.00	3.00	3.00	3.00	3.00	3.00	3.00	3.00	3.00	3.00	3.00	3.00	3.00	3.00	3.00	3.00	3.00	3.00	3.00	3.00
QUOTE TERRENO	182.92	182.13	182.18	182.23	182.28	182.33	182.20	182.10	182.01	182.06	182.08	182.16	182.27	182.36	182.46	182.55	182.61	182.63	182.65	182.69	182.73	182.78	182.82
PROGRESSIVE PROGETTO												-4.20	-1.60	0.00	3.75	7.50	10.50	11.75		19.25	21.25	21.47	
PARZIALI PROGETTO													2.60	1.60	3.75	3.75	3.00	1.25	7.50	2.00	0.22		
QUOTE PROGETTO												188.20	188.29	188.22	188.08	187.93	187.82	187.89	182.89	182.89	182.74		

PROFILO 2.6a\_CUNEO

SEZIONE 83

PROGRESSIVA 1553.99

A RILEVATO	m <sup>2</sup>	97.89
AN ANTICAPILLARE	m <sup>2</sup>	11.43
C BINDER	m <sup>2</sup>	0.60
D BASE	m <sup>2</sup>	1.98
MC MISTO CEMENTATO	m <sup>2</sup>	3.86
MS MISTO STABILIZZATO	m <sup>2</sup>	4.09
VR VEGETALE RIL	m <sup>2</sup>	2.89
a USURA	m	11.97
br BONIFICA	m	22.89
sc SCOTICO	m	22.89
tn TNT	m	22.86



PROGRESSIVE TERRENO

-39.00	-36.00	-33.00	-30.00	-27.00	-24.00	-21.00	-18.00	-15.00	-12.00	-9.00	-6.00	-3.00	0.00	3.00	6.00	9.00	12.00	15.00	18.00	21.00	24.00	27.00
--------	--------	--------	--------	--------	--------	--------	--------	--------	--------	-------	-------	-------	------	------	------	------	-------	-------	-------	-------	-------	-------

PARZIALI TERRENO

3.00	3.00	3.00	3.00	3.00	3.00	3.00	3.00	3.00	3.00	3.00	3.00	3.00	3.00	3.00	3.00	3.00	3.00	3.00	3.00	3.00	3.00	3.00
------	------	------	------	------	------	------	------	------	------	------	------	------	------	------	------	------	------	------	------	------	------	------

QUOTE TERRENO

183.59	182.15	182.14	182.20	182.25	182.31	182.23	181.31	181.34	181.43	181.55	181.67	181.79	181.90	182.02	182.16	182.31	182.46	182.61	182.70	182.69	182.67	182.66
--------	--------	--------	--------	--------	--------	--------	--------	--------	--------	--------	--------	--------	--------	--------	--------	--------	--------	--------	--------	--------	--------	--------

PROGRESSIVE PROGETTO

												-4.06	-1.46	0.00	3.75	7.50	10.50	11.75		19.25	21.25	21.31	
--	--	--	--	--	--	--	--	--	--	--	--	-------	-------	------	------	------	-------	-------	--	-------	-------	-------	--

PARZIALI PROGETTO

												2.60	1.46	3.75	3.75	3.00	1.25	7.50		2.00	0.06	
--	--	--	--	--	--	--	--	--	--	--	--	------	------	------	------	------	------	------	--	------	------	--

QUOTE PROGETTO

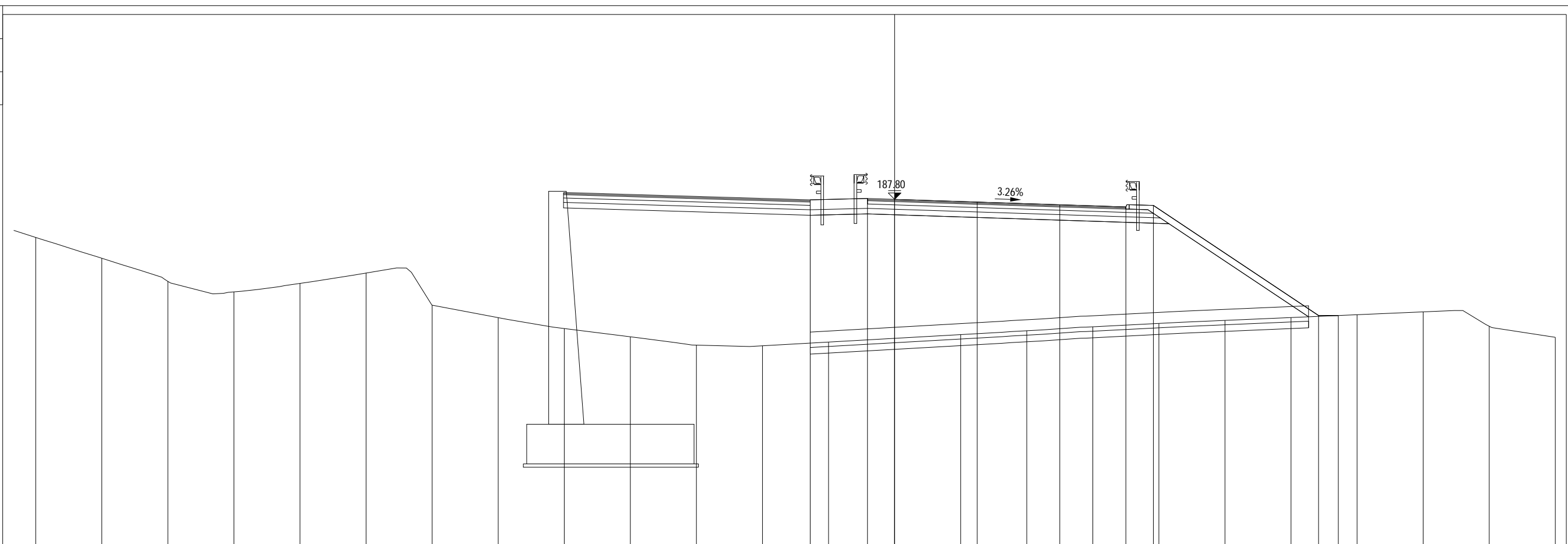
												188.02	188.10	188.04	187.91	187.77	187.66	187.73		182.73	182.73	182.69	
--	--	--	--	--	--	--	--	--	--	--	--	--------	--------	--------	--------	--------	--------	--------	--	--------	--------	--------	--

PROFILO 2.6a\_CUNEO

SEZIONE 84

PROGRESSIVA 1578.94

A RILEVATO	m <sup>2</sup>	99.31
AN ANTICAPILLARE	m <sup>2</sup>	11.34
C BINDER	m <sup>2</sup>	0.59
D BASE	m <sup>2</sup>	1.93
MC MISTO CEMENTATO	m <sup>2</sup>	3.80
MS MISTO STABILIZZATO	m <sup>2</sup>	4.04
VR VEGETALE RIL	m <sup>2</sup>	2.89
a USURA	m	11.74
br BONIFICA	m	22.69
sc SCOTICO	m	22.69
tn TNT	m	22.67



PROGRESSIVE TERRENO

PARZIALI TERRENO

QUOTE TERRENO

PROGRESSIVE PROGETTO

PARZIALI PROGETTO

QUOTE PROGETTO

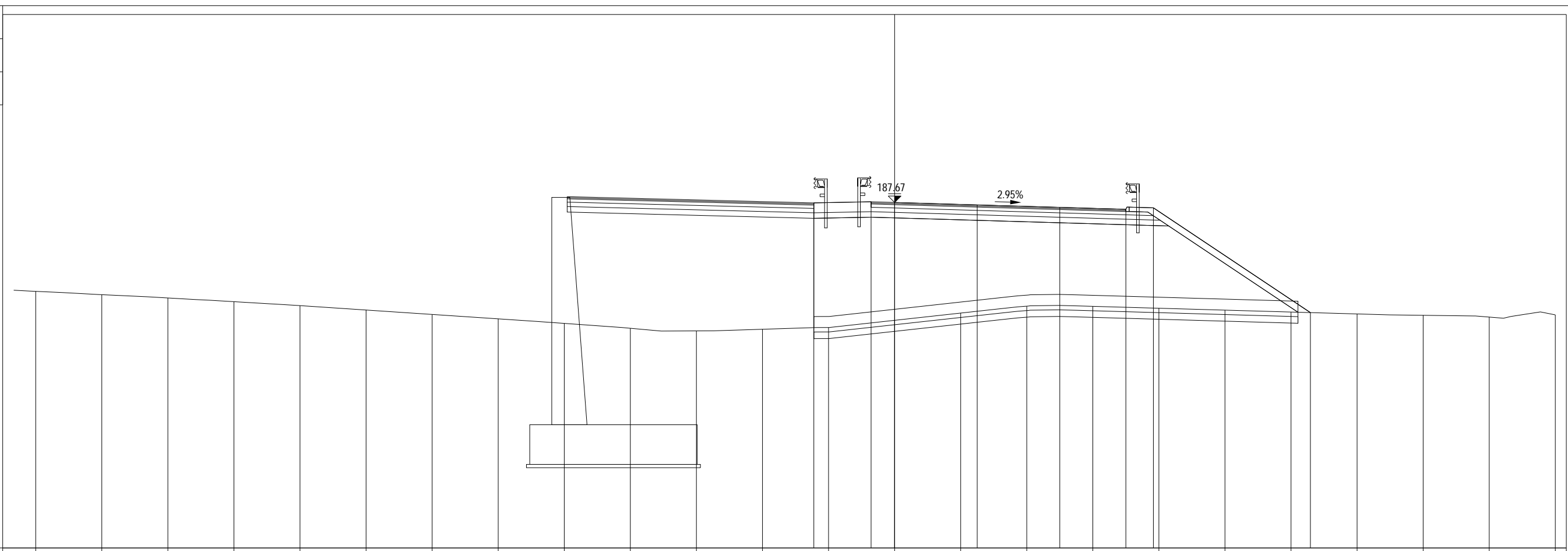
PROGRESSIVE TERRENO	-39.00	-36.00	-33.00	-30.00	-27.00	-24.00	-21.00	-18.00	-15.00	-12.00	-9.00	-6.00	-3.00	0.00	3.00	6.00	9.00	12.00	15.00	18.00	21.00	24.00	27.00	30.00
PARZIALI TERRENO		3.00	3.00	3.00	3.00	3.00	3.00	3.00	3.00	3.00	3.00	3.00	3.00	3.00	3.00	3.00	3.00	3.00	3.00	3.00	3.00	3.00	3.00	3.00
QUOTE TERRENO	186.07	185.13	184.08	183.60	183.99	184.46	183.00	182.43	181.94	181.56	181.18	181.15	181.32	181.49	181.66	181.84	182.02	182.17	182.31	182.44	182.57	182.69	182.04	181.54
PROGRESSIVE PROGETTO													-3.83	-1.23	0.00	3.75	7.50	10.50	11.75		19.25	20.15		
PARZIALI PROGETTO													2.60	1.23	3.75	3.75	3.00	1.25	7.50		0.90			
QUOTE PROGETTO													187.78	187.84	187.80	187.68	187.56	187.46	187.53		182.53	182.53		

PROFILO 2.6a\_CUNEO

SEZIONE 85

PROGRESSIVA 1599.45

A RILEVATO	m <sup>2</sup>	78.48
AN ANTICAPILLARE	m <sup>2</sup>	11.01
C BINDER	m <sup>2</sup>	0.57
D BASE	m <sup>2</sup>	1.93
MC MISTO CEMENTATO	m <sup>2</sup>	3.77
MS MISTO STABILIZZATO	m <sup>2</sup>	4.00
VR VEGETALE RIL	m <sup>2</sup>	2.72
a USURA	m	11.57
br BONIFICA	m	22.08
sc SCOTICO	m	22.08
tn TNT	m	22.03



PROGRESSIVE TERRENO

-39.00	-36.00	-33.00	-30.00	-27.00	-24.00	-21.00	-18.00	-15.00	-12.00	-9.00	-6.00	-3.00	0.00	3.00	6.00	9.00	12.00	15.00	18.00	21.00	24.00	27.00	30.00
--------	--------	--------	--------	--------	--------	--------	--------	--------	--------	-------	-------	-------	------	------	------	------	-------	-------	-------	-------	-------	-------	-------

PARZIALI TERRENO

3.00	3.00	3.00	3.00	3.00	3.00	3.00	3.00	3.00	3.00	3.00	3.00	3.00	3.00	3.00	3.00	3.00	3.00	3.00	3.00	3.00	3.00	3.00	3.00
------	------	------	------	------	------	------	------	------	------	------	------	------	------	------	------	------	------	------	------	------	------	------	------

QUOTE TERRENO

183.64	183.49	183.34	183.17	182.99	182.79	182.59	182.39	182.19	181.97	181.85	181.92	182.00	182.33	182.66	182.97	182.96	182.87	182.79	182.70	182.62	182.55	182.47	182.57
--------	--------	--------	--------	--------	--------	--------	--------	--------	--------	--------	--------	--------	--------	--------	--------	--------	--------	--------	--------	--------	--------	--------	--------

PROGRESSIVE PROGETTO

												-3.67	-1.07	0.00	3.75	7.50	10.50	11.75		18.88			
--	--	--	--	--	--	--	--	--	--	--	--	-------	-------	------	------	------	-------	-------	--	-------	--	--	--

PARZIALI PROGETTO

												2.60	1.07	3.75	3.75	3.00	1.25	7.13					
--	--	--	--	--	--	--	--	--	--	--	--	------	------	------	------	------	------	------	--	--	--	--	--

QUOTE PROGETTO

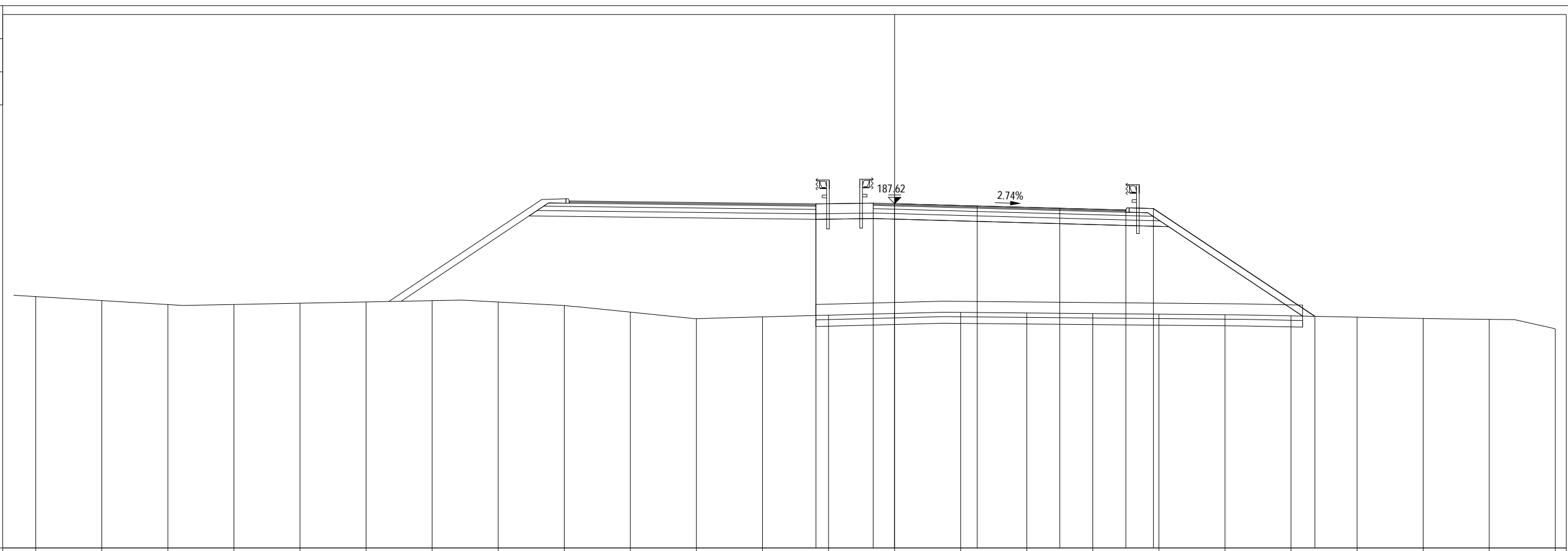
												187.65	187.70	187.67	187.56	187.45	187.36	187.43		182.68			
--	--	--	--	--	--	--	--	--	--	--	--	--------	--------	--------	--------	--------	--------	--------	--	--------	--	--	--

PROFILO 2.6a\_CUNEO

SEZIONE 86

PROGRESSIVA 1613.92

A RILEVATO	m <sup>2</sup>	78.66
AN ANTICAPILLARE	m <sup>2</sup>	11.07
C BINDER	m <sup>2</sup>	0.57
D BASE	m <sup>2</sup>	1.89
MC MISTO CEMENTATO	m <sup>2</sup>	3.75
MS MISTO STABILIZZATO	m <sup>2</sup>	3.98
VR VEGETALE RIL	m <sup>2</sup>	2.78
a USURA	m	11.47
br BONIFICA	m	22.15
sc SCOTICO	m	22.15
tn TNT	m	22.15



PROGRESSIVE TERRENO

-39.00	-36.00	-33.00	-30.00	-27.00	-24.00	-21.00	-18.00	-15.00	-12.00	-9.00	-6.00	-3.00	0.00	3.00	6.00	9.00	12.00	15.00	18.00	21.00	24.00	27.00	30.00
--------	--------	--------	--------	--------	--------	--------	--------	--------	--------	-------	-------	-------	------	------	------	------	-------	-------	-------	-------	-------	-------	-------

PARZIALI TERRENO

3.00	3.00	3.00	3.00	3.00	3.00	3.00	3.00	3.00	3.00	3.00	3.00	3.00	3.00	3.00	3.00	3.00	3.00	3.00	3.00	3.00	3.00	3.00	3.00
------	------	------	------	------	------	------	------	------	------	------	------	------	------	------	------	------	------	------	------	------	------	------	------

QUOTE TERRENO

183.40	183.22	183.04	183.04	183.10	183.16	183.22	183.16	183.00	182.70	182.40	182.48	182.56	182.64	182.69	182.66	182.63	182.61	182.58	182.53	182.47	182.41	182.37	181.93
--------	--------	--------	--------	--------	--------	--------	--------	--------	--------	--------	--------	--------	--------	--------	--------	--------	--------	--------	--------	--------	--------	--------	--------

PROGRESSIVE PROGETTO

												-3.57	-0.97	0.00	3.75	7.50	10.50	11.75		19.08			
--	--	--	--	--	--	--	--	--	--	--	--	-------	-------	------	------	------	-------	-------	--	-------	--	--	--

PARZIALI PROGETTO

												2.60	0.97	3.75	3.75	3.00	1.25	7.33					
--	--	--	--	--	--	--	--	--	--	--	--	------	------	------	------	------	------	------	--	--	--	--	--

QUOTE PROGETTO

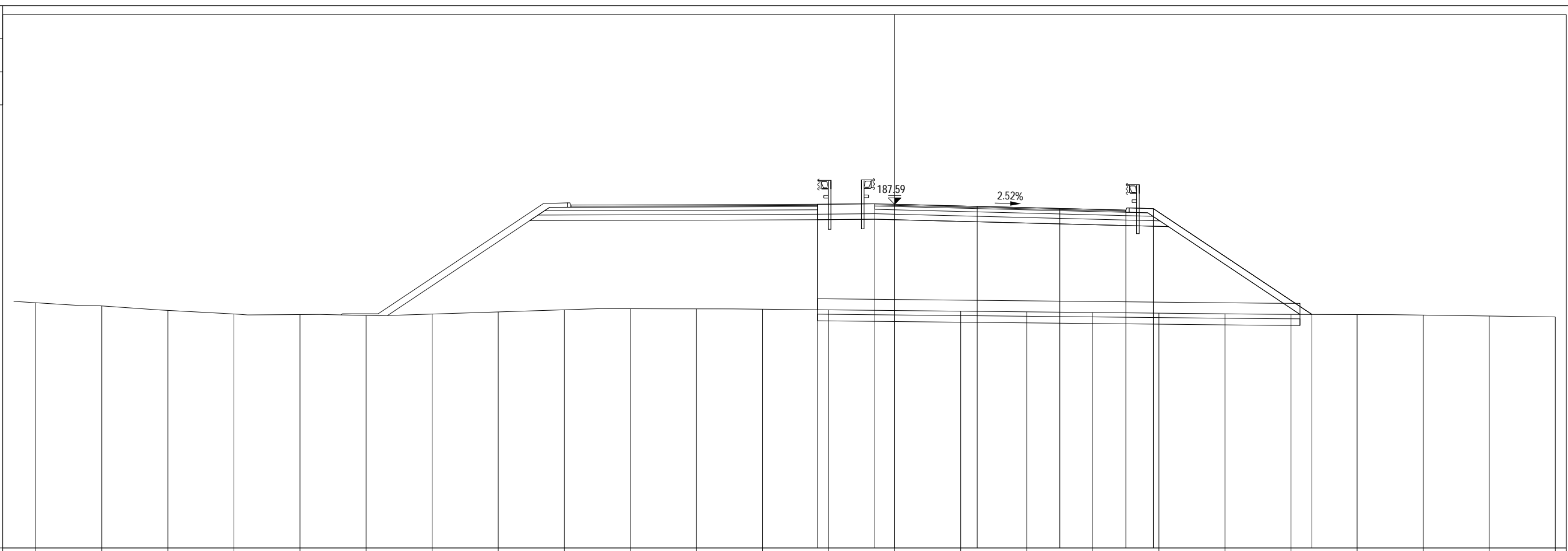
												187.61	187.64	187.62	187.51	187.41	187.33	187.40		182.51			
--	--	--	--	--	--	--	--	--	--	--	--	--------	--------	--------	--------	--------	--------	--------	--	--------	--	--	--

PROFILO 2.6a\_CUNEO

SEZIONE 87

PROGRESSIVA 1628.91

A RILEVATO	m <sup>2</sup>	76.35
AN ANTICAPILLARE	m <sup>2</sup>	10.97
C BINDER	m <sup>2</sup>	0.57
D BASE	m <sup>2</sup>	1.88
MC MISTO CEMENTATO	m <sup>2</sup>	3.73
MS MISTO STABILIZZATO	m <sup>2</sup>	3.95
VR VEGETALE RIL	m <sup>2</sup>	2.76
a USURA	m	11.40
br BONIFICA	m	21.95
sc SCOTICO	m	21.95
tn TNT	m	21.95



PROGRESSIVE TERRENO

-39.00	-36.00	-33.00	-30.00	-27.00	-24.00	-21.00	-18.00	-15.00	-12.00	-9.00	-6.00	-3.00	0.00	3.00	6.00	9.00	12.00	15.00	18.00	21.00	24.00	27.00	30.00
--------	--------	--------	--------	--------	--------	--------	--------	--------	--------	-------	-------	-------	------	------	------	------	-------	-------	-------	-------	-------	-------	-------

PARZIALI TERRENO

3.00	3.00	3.00	3.00	3.00	3.00	3.00	3.00	3.00	3.00	3.00	3.00	3.00	3.00	3.00	3.00	3.00	3.00	3.00	3.00	3.00	3.00	3.00	3.00
------	------	------	------	------	------	------	------	------	------	------	------	------	------	------	------	------	------	------	------	------	------	------	------

QUOTE TERRENO

183.12	182.98	182.78	182.61	182.59	182.55	182.61	182.71	182.80	182.85	182.85	182.83	182.80	182.77	182.74	182.71	182.68	182.65	182.62	182.60	182.59	182.56	182.52	182.48
--------	--------	--------	--------	--------	--------	--------	--------	--------	--------	--------	--------	--------	--------	--------	--------	--------	--------	--------	--------	--------	--------	--------	--------

PROGRESSIVE PROGETTO

												-3.50	-0.90	0.00	3.75	7.50	10.50	11.75		18.95			
--	--	--	--	--	--	--	--	--	--	--	--	-------	-------	------	------	------	-------	-------	--	-------	--	--	--

PARZIALI PROGETTO

												2.60	0.90	3.75	3.75	3.00	1.25	7.20					
--	--	--	--	--	--	--	--	--	--	--	--	------	------	------	------	------	------	------	--	--	--	--	--

QUOTE PROGETTO

												187.59	187.61	187.59	187.50	187.40	187.33	187.39		182.59			
--	--	--	--	--	--	--	--	--	--	--	--	--------	--------	--------	--------	--------	--------	--------	--	--------	--	--	--

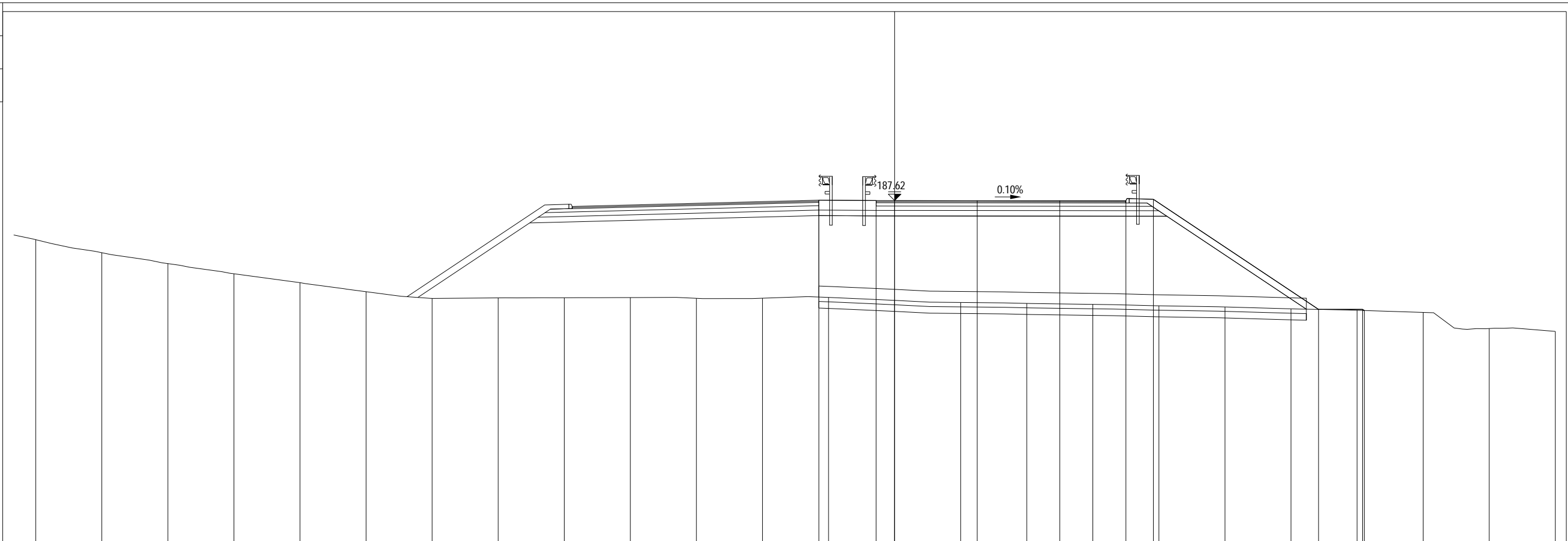


PROFILO 2.6a\_CUNEO

SEZIONE 88

PROGRESSIVA 1653.92

A RILEVATO	m <sup>2</sup>	75.09
AN ANTICAPILLARE	m <sup>2</sup>	11.09
C BINDER	m <sup>2</sup>	0.57
D BASE	m <sup>2</sup>	1.86
MC MISTO CEMENTATO	m <sup>2</sup>	3.70
MS MISTO STABILIZZATO	m <sup>2</sup>	3.91
VR VEGETALE RIL	m <sup>2</sup>	2.84
a USURA	m	11.34
br BONIFICA	m	22.19
sc SCOTICO	m	22.19
tn TNT	m	22.19



172  
▼

200  
200

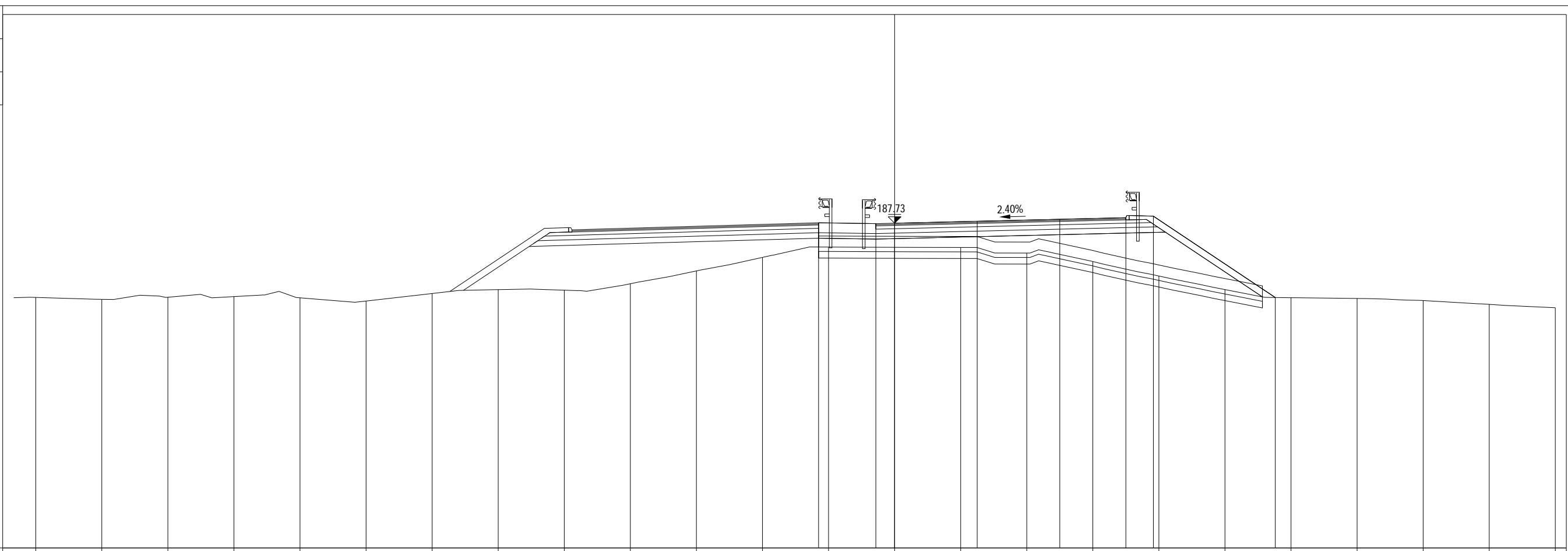
PROGRESSIVE TERRENO	-39.00	-36.00	-33.00	-30.00	-27.00	-24.00	-21.00	-18.00	-15.00	-12.00	-9.00	-6.00	-3.00	0.00	3.00	6.00	9.00	12.00	15.00	18.00	21.00	24.00	27.00	30.00
PARZIALI TERRENO		3.00	3.00	3.00	3.00	3.00	3.00	3.00	3.00	3.00	3.00	3.00	3.00	3.00	3.00	3.00	3.00	3.00	3.00	3.00	3.00	3.00	3.00	3.00
QUOTE TERRENO	185.84	185.25	184.75	184.29	183.89	183.48	183.17	183.19	183.20	183.21	183.18	183.18	183.22	183.08	182.99	182.94	182.90	182.84	182.78	182.70	182.63	182.53	181.80	181.67
PROGRESSIVE PROGETTO													-3.44	-0.84	0.00	3.75	7.50	10.50	11.75	19.25	21.25	21.33		
PARZIALI PROGETTO													2.60	0.84	3.75	3.75	3.00	1.25	7.50	2.00	0.08			
QUOTE PROGETTO													187.63	187.62	187.62	187.61	187.61	187.61	187.67	182.67	182.67	182.62		

PROFILO 2.6a\_CUNEO

SEZIONE 89

PROGRESSIVA 1678.94

A RILEVATO	m <sup>2</sup>	17.57
AN ANTICAPILLARE	m <sup>2</sup>	10.10
C BINDER	m <sup>2</sup>	0.56
D BASE	m <sup>2</sup>	1.86
MC MISTO CEMENTATO	m <sup>2</sup>	3.71
MS MISTO STABILIZZATO	m <sup>2</sup>	3.89
VR VEGETALE RIL	m <sup>2</sup>	2.09
a USURA	m	11.35
br BONIFICA	m	20.50
sc SCOTICO	m	20.50
tn TNT	m	20.22



PROGRESSIVE TERRENO

-39.00	-36.00	-33.00	-30.00	-27.00	-24.00	-21.00	-18.00	-15.00	-12.00	-9.00	-6.00	-3.00	0.00	3.00	6.00	9.00	12.00	15.00	18.00	21.00	24.00	27.00	30.00
--------	--------	--------	--------	--------	--------	--------	--------	--------	--------	-------	-------	-------	------	------	------	------	-------	-------	-------	-------	-------	-------	-------

PARZIALI TERRENO

3.00	3.00	3.00	3.00	3.00	3.00	3.00	3.00	3.00	3.00	3.00	3.00	3.00	3.00	3.00	3.00	3.00	3.00	3.00	3.00	3.00	3.00	3.00	3.00
------	------	------	------	------	------	------	------	------	------	------	------	------	------	------	------	------	------	------	------	------	------	------	------

QUOTE TERRENO

184.36	184.28	184.37	184.40	184.35	184.20	184.54	184.72	184.69	184.99	185.57	186.18	186.65	186.64	186.63	186.38	185.99	185.34	184.72	184.35	184.32	184.22	184.05	183.90
--------	--------	--------	--------	--------	--------	--------	--------	--------	--------	--------	--------	--------	--------	--------	--------	--------	--------	--------	--------	--------	--------	--------	--------

PROGRESSIVE PROGETTO

												-3.45	-0.85	0.00	3.75	7.50	10.50	11.75	17.29				
--	--	--	--	--	--	--	--	--	--	--	--	-------	-------	------	------	------	-------	-------	-------	--	--	--	--

PARZIALI PROGETTO

												2.60	0.85	3.75	3.75	3.00	1.25	5.54					
--	--	--	--	--	--	--	--	--	--	--	--	------	------	------	------	------	------	------	--	--	--	--	--

QUOTE PROGETTO

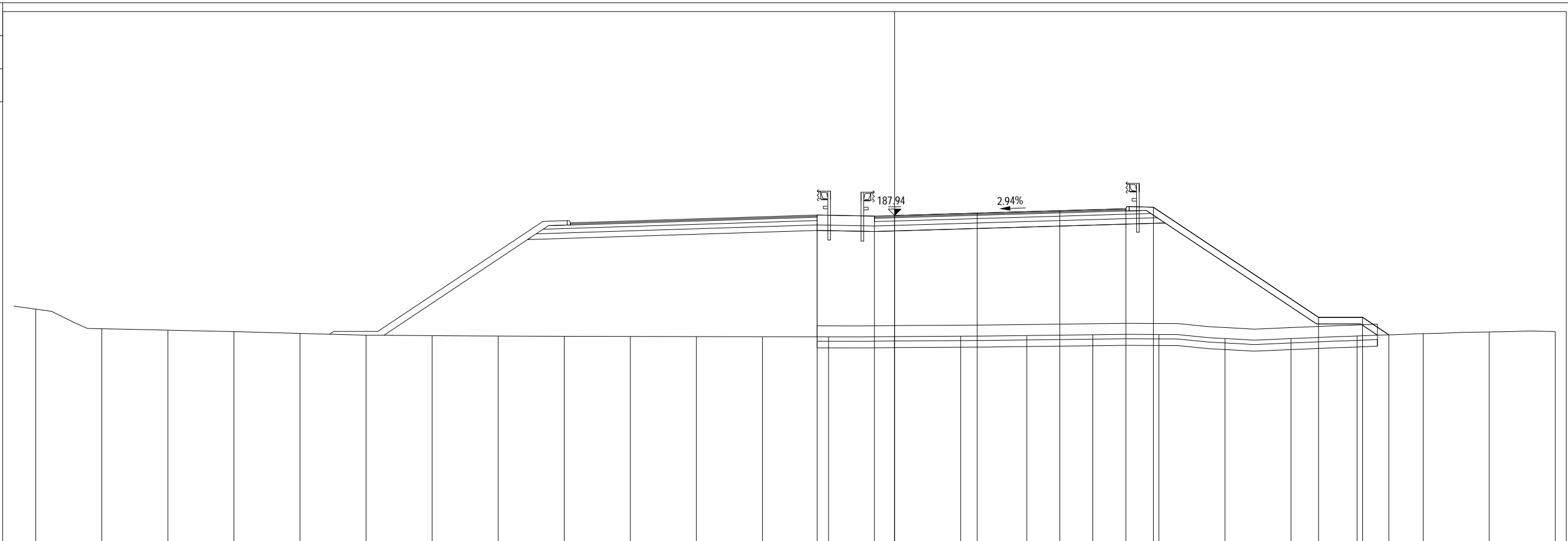
												187.75	187.71	187.73	187.82	187.91	187.98	188.05	184.36				
--	--	--	--	--	--	--	--	--	--	--	--	--------	--------	--------	--------	--------	--------	--------	--------	--	--	--	--

PROFILO 2.6a\_CUNEO

SEZIONE 90

PROGRESSIVA 1703.97

A RILEVATO	m <sup>2</sup>	99.24
AN ANTICAPILLARE	m <sup>2</sup>	12.61
C BINDER	m <sup>2</sup>	0.58
D BASE	m <sup>2</sup>	1.87
MC MISTO CEMENTATO	m <sup>2</sup>	3.71
MS MISTO STABILIZZATO	m <sup>2</sup>	3.93
VR VEGETALE RIL	m <sup>2</sup>	3.50
a USURA	m	11.42
br BONIFICA	m	25.33
sc SCOTICO	m	25.33
tn TNT	m	25.32



PROGRESSIVE TERRENO

-39.00	-36.00	-33.00	-30.00	-27.00	-24.00	-21.00	-18.00	-15.00	-12.00	-9.00	-6.00	-3.00	0.00	3.00	6.00	9.00	12.00	15.00	18.00	21.00	24.00	27.00	30.00
--------	--------	--------	--------	--------	--------	--------	--------	--------	--------	-------	-------	-------	------	------	------	------	-------	-------	-------	-------	-------	-------	-------

PARZIALI TERRENO

3.00	3.00	3.00	3.00	3.00	3.00	3.00	3.00	3.00	3.00	3.00	3.00	3.00	3.00	3.00	3.00	3.00	3.00	3.00	3.00	3.00	3.00	3.00	3.00
------	------	------	------	------	------	------	------	------	------	------	------	------	------	------	------	------	------	------	------	------	------	------	------

QUOTE TERRENO

183.68	182.79	182.73	182.66	182.58	182.50	182.48	182.46	182.45	182.44	182.44	182.43	182.42	182.44	182.45	182.48	182.52	182.53	182.35	182.35	182.46	182.57	182.65	182.66
--------	--------	--------	--------	--------	--------	--------	--------	--------	--------	--------	--------	--------	--------	--------	--------	--------	--------	--------	--------	--------	--------	--------	--------

PROGRESSIVE PROGETTO

												-3.52	-0.92	0.00	3.75	7.50	10.50	11.75		19.25	21.25	22.44	
--	--	--	--	--	--	--	--	--	--	--	--	-------	-------	------	------	------	-------	-------	--	-------	-------	-------	--

PARZIALI PROGETTO

												2.60	0.92	3.75	3.75	3.00	1.25	7.50		2.00	1.19		
--	--	--	--	--	--	--	--	--	--	--	--	------	------	------	------	------	------	------	--	------	------	--	--

QUOTE PROGETTO

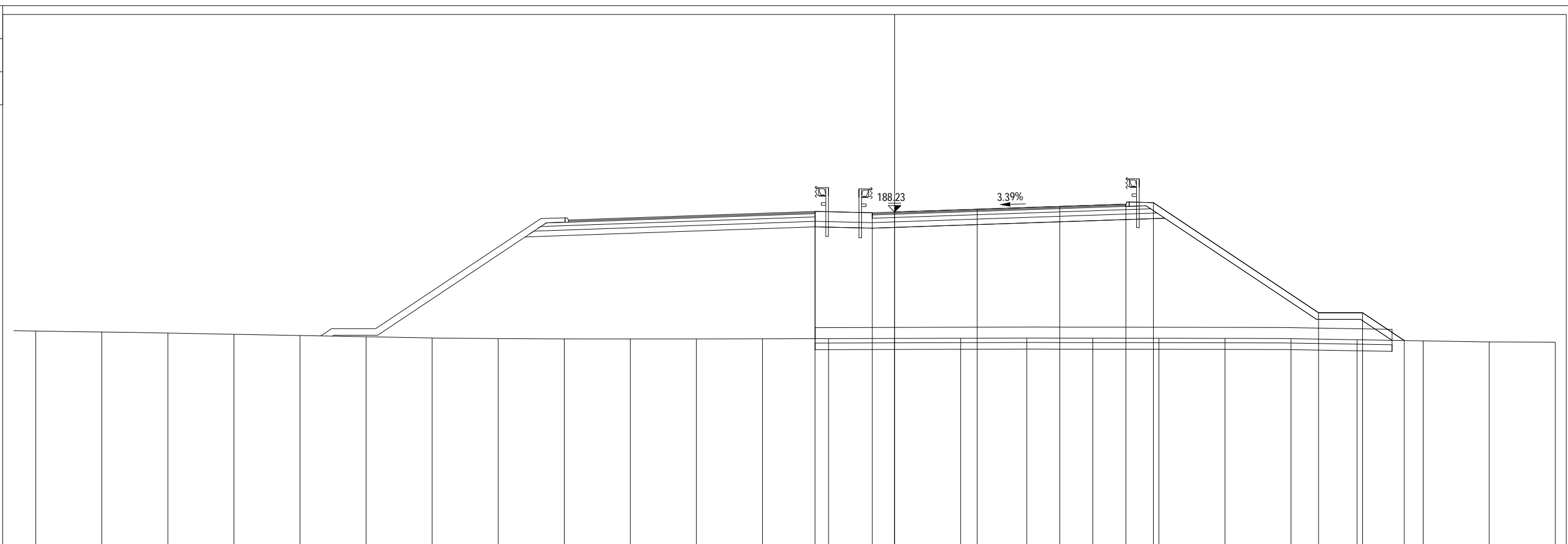
												187.96	187.91	187.94	188.05	188.16	188.24	188.31		183.31	183.31	182.52	
--	--	--	--	--	--	--	--	--	--	--	--	--------	--------	--------	--------	--------	--------	--------	--	--------	--------	--------	--

PROFILO 2.6a\_CUNEO

SEZIONE 91

PROGRESSIVA 1729.01

A RILEVATO	m <sup>2</sup>	107.16
AN ANTICAPILLARE	m <sup>2</sup>	13.04
C BINDER	m <sup>2</sup>	0.57
D BASE	m <sup>2</sup>	1.88
MC MISTO CEMENTATO	m <sup>2</sup>	3.73
MS MISTO STABILIZZATO	m <sup>2</sup>	3.95
VR VEGETALE RIL	m <sup>2</sup>	3.74
a USURA	m	11.52
br BONIFICA	m	26.06
sc SCOTICO	m	26.06
tn TNT	m	26.06



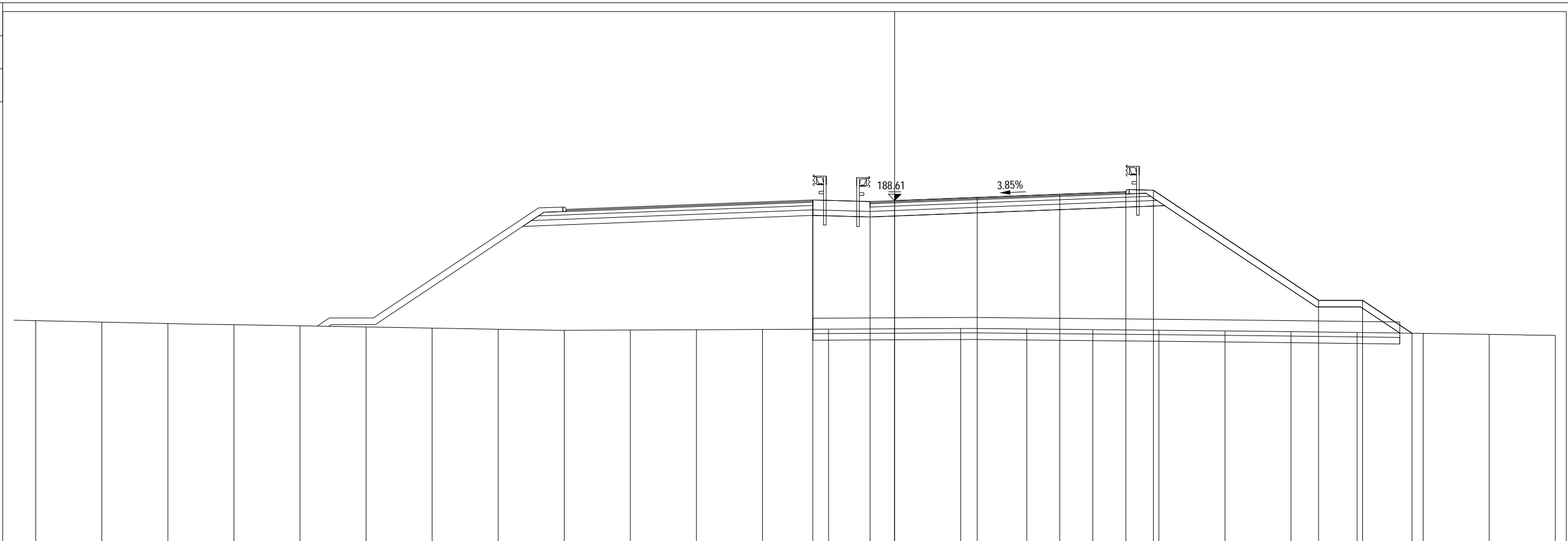
PROGRESSIVE TERRENO	-39.00	-36.00	-33.00	-30.00	-27.00	-24.00	-21.00	-18.00	-15.00	-12.00	-9.00	-6.00	-3.00	0.00	3.00	6.00	9.00	12.00	15.00	18.00	21.00	24.00	27.00	30.00
PARZIALI TERRENO		3.00	3.00	3.00	3.00	3.00	3.00	3.00	3.00	3.00	3.00	3.00	3.00	3.00	3.00	3.00	3.00	3.00	3.00	3.00	3.00	3.00	3.00	3.00
QUOTE TERRENO	182.82	182.78	182.73	182.68	182.62	182.56	182.51	182.48	182.47	182.46	182.47	182.47	182.48	182.49	182.50	182.50	182.50	182.49	182.49	182.48	182.43	182.38	182.33	182.32
PROGRESSIVE PROGETTO													-3.61	-1.01	0.00	3.75	7.50	10.50	11.75		19.25	21.25	23.14	
PARZIALI PROGETTO													2.60	1.01	3.75	3.75	3.00	1.25	7.50	2.00	1.89			
QUOTE PROGETTO													188.26	188.20	188.23	188.36	188.48	188.59	188.65		183.65	183.65	182.39	

PROFILO 2.6a\_CUNEO

SEZIONE 92

PROGRESSIVA 1754.06

A RILEVATO	m <sup>2</sup>	111.94
AN ANTICAPILLARE	m <sup>2</sup>	13.26
C BINDER	m <sup>2</sup>	0.58
D BASE	m <sup>2</sup>	1.90
MC MISTO CEMENTATO	m <sup>2</sup>	3.75
MS MISTO STABILIZZATO	m <sup>2</sup>	3.96
VR VEGETALE RIL	m <sup>2</sup>	3.85
a USURA	m	11.62
br BONIFICA	m	26.51
sc SCOTICO	m	26.51
tn TNT	m	26.51



PROGRESSIVE TERRENO

-39.00	-36.00	-33.00	-30.00	-27.00	-24.00	-21.00	-18.00	-15.00	-12.00	-9.00	-6.00	-3.00	0.00	3.00	6.00	9.00	12.00	15.00	18.00	21.00	24.00	27.00	30.00
--------	--------	--------	--------	--------	--------	--------	--------	--------	--------	-------	-------	-------	------	------	------	------	-------	-------	-------	-------	-------	-------	-------

PARZIALI TERRENO

3.00	3.00	3.00	3.00	3.00	3.00	3.00	3.00	3.00	3.00	3.00	3.00	3.00	3.00	3.00	3.00	3.00	3.00	3.00	3.00	3.00	3.00	3.00	3.00
------	------	------	------	------	------	------	------	------	------	------	------	------	------	------	------	------	------	------	------	------	------	------	------

QUOTE TERRENO

183.16	183.09	183.03	182.98	182.93	182.87	182.82	182.77	182.72	182.73	182.75	182.76	182.78	182.79	182.80	182.78	182.75	182.72	182.69	182.66	182.62	182.58	182.54	182.49
--------	--------	--------	--------	--------	--------	--------	--------	--------	--------	--------	--------	--------	--------	--------	--------	--------	--------	--------	--------	--------	--------	--------	--------

PROGRESSIVE PROGETTO

												-3.71	-1.11	0.00	3.75	7.50	10.50	11.75		19.25	21.25	23.49	
--	--	--	--	--	--	--	--	--	--	--	--	-------	-------	------	------	------	-------	-------	--	-------	-------	-------	--

PARZIALI PROGETTO

												2.60	1.11	3.75	3.75	3.00	1.25	7.50		2.00	2.24		
--	--	--	--	--	--	--	--	--	--	--	--	------	------	------	------	------	------	------	--	------	------	--	--

QUOTE PROGETTO

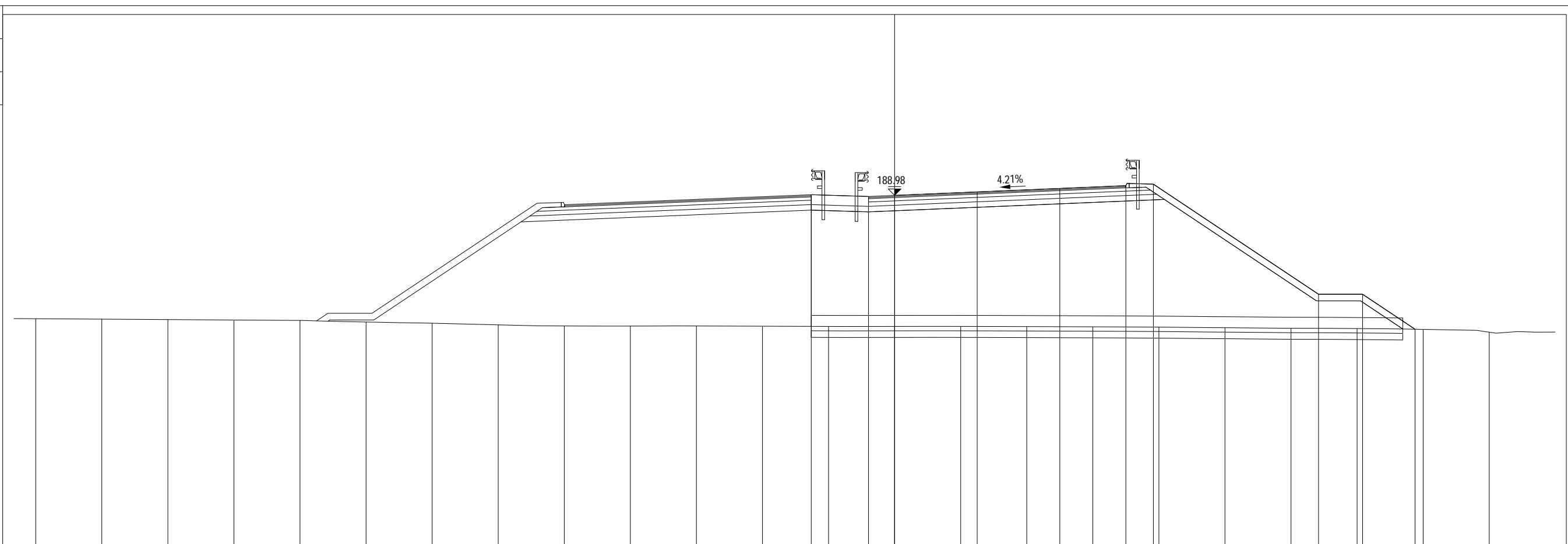
												188.64	188.57	188.61	188.76	188.90	189.02	189.08		184.08	184.08	182.59	
--	--	--	--	--	--	--	--	--	--	--	--	--------	--------	--------	--------	--------	--------	--------	--	--------	--------	--------	--

PROFILO 2.6a\_CUNEO

SEZIONE 93

PROGRESSIVA 1774.11

A RILEVATO	m <sup>2</sup>	115.76
AN ANTICAPILLARE	m <sup>2</sup>	13.36
C BINDER	m <sup>2</sup>	0.58
D BASE	m <sup>2</sup>	1.91
MC MISTO CEMENTATO	m <sup>2</sup>	3.79
MS MISTO STABILIZZATO	m <sup>2</sup>	3.97
VR VEGETALE RIL	m <sup>2</sup>	3.92
a USURA	m	11.70
br BONIFICA	m	26.73
sc SCOTICO	m	26.73
tn TNT	m	26.73



173  
200

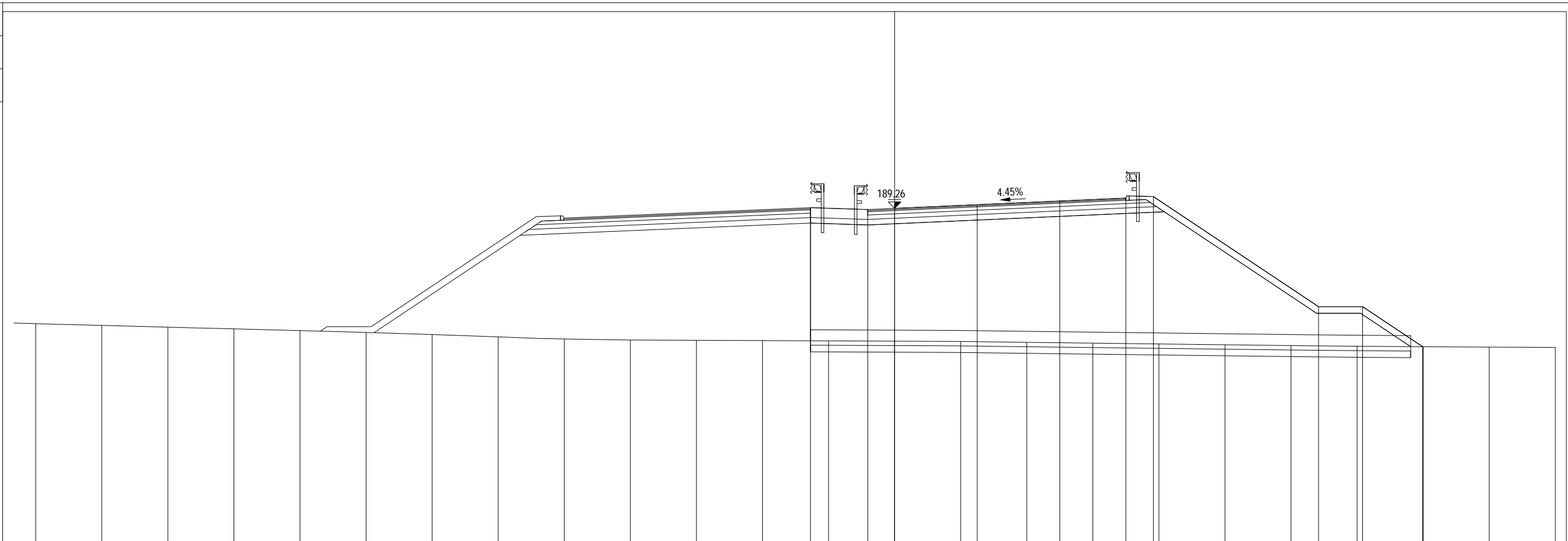
PROGRESSIVE TERRENO	-39.00	-36.00	-33.00	-30.00	-27.00	-24.00	-21.00	-18.00	-15.00	-12.00	-9.00	-6.00	-3.00	0.00	3.00	6.00	9.00	12.00	15.00	18.00	21.00	24.00	27.00
PARZIALI TERRENO		3.00	3.00	3.00	3.00	3.00	3.00	3.00	3.00	3.00	3.00	3.00	3.00	3.00	3.00	3.00	3.00	3.00	3.00	3.00	3.00	3.00	3.00
QUOTE TERRENO	183.38	183.36	183.34	183.32	183.30	183.23	183.18	183.10	183.05	183.05	183.05	183.04	183.03	183.03	183.03	183.03	183.02	183.00	182.97	182.95	182.94	182.90	182.77
PROGRESSIVE PROGETTO													-3.79	-1.19	0.00	3.75	7.50	10.50	11.75		19.25	21.25	23.63
PARZIALI PROGETTO													2.60	1.19	3.75	3.75	3.00	1.25	7.50		2.00	2.38	
QUOTE PROGETTO													189.02	188.93	188.98	189.14	189.30	189.43	189.49		184.49	184.49	182.91

PROFILO 2.6a\_CUNEO

SEZIONE 94

PROGRESSIVA 1787.37

A RILEVATO	m <sup>2</sup>	120.34
AN ANTICAPILLARE	m <sup>2</sup>	13.54
C BINDER	m <sup>2</sup>	0.58
D BASE	m <sup>2</sup>	1.90
MC MISTO CEMENTATO	m <sup>2</sup>	3.78
MS MISTO STABILIZZATO	m <sup>2</sup>	3.98
VR VEGETALE RIL	m <sup>2</sup>	4.03
a USURA	m	11.73
br BONIFICA	m	27.12
sc SCOTICO	m	27.12
tn TNT	m	27.12



174

200

PROGRESSIVE TERRENO

-39.00	-36.00	-33.00	-30.00	-27.00	-24.00	-21.00	-18.00	-15.00	-12.00	-9.00	-6.00	-3.00	0.00	3.00	6.00	9.00	12.00	15.00	18.00	21.00	24.00	27.00	30.00
--------	--------	--------	--------	--------	--------	--------	--------	--------	--------	-------	-------	-------	------	------	------	------	-------	-------	-------	-------	-------	-------	-------

PARZIALI TERRENO

3.00	3.00	3.00	3.00	3.00	3.00	3.00	3.00	3.00	3.00	3.00	3.00	3.00	3.00	3.00	3.00	3.00	3.00	3.00	3.00	3.00	3.00	3.00	3.00
------	------	------	------	------	------	------	------	------	------	------	------	------	------	------	------	------	------	------	------	------	------	------	------

QUOTE TERRENO

184.02	183.95	183.86	183.79	183.71	183.62	183.53	183.42	183.33	183.28	183.27	183.26	183.24	183.23	183.21	183.18	183.14	183.10	183.07	183.03	183.00	182.98	182.96	182.95
--------	--------	--------	--------	--------	--------	--------	--------	--------	--------	--------	--------	--------	--------	--------	--------	--------	--------	--------	--------	--------	--------	--------	--------

PROGRESSIVE PROGETTO

												-3.82	-1.22	0.00	3.75	7.50	10.50	11.75		19.25	21.25	23.98	
--	--	--	--	--	--	--	--	--	--	--	--	-------	-------	------	------	------	-------	-------	--	-------	-------	-------	--

PARZIALI PROGETTO

												2.60	1.22	3.75	3.75	3.00	1.25	7.50		2.00	2.73		
--	--	--	--	--	--	--	--	--	--	--	--	------	------	------	------	------	------	------	--	------	------	--	--

QUOTE PROGETTO

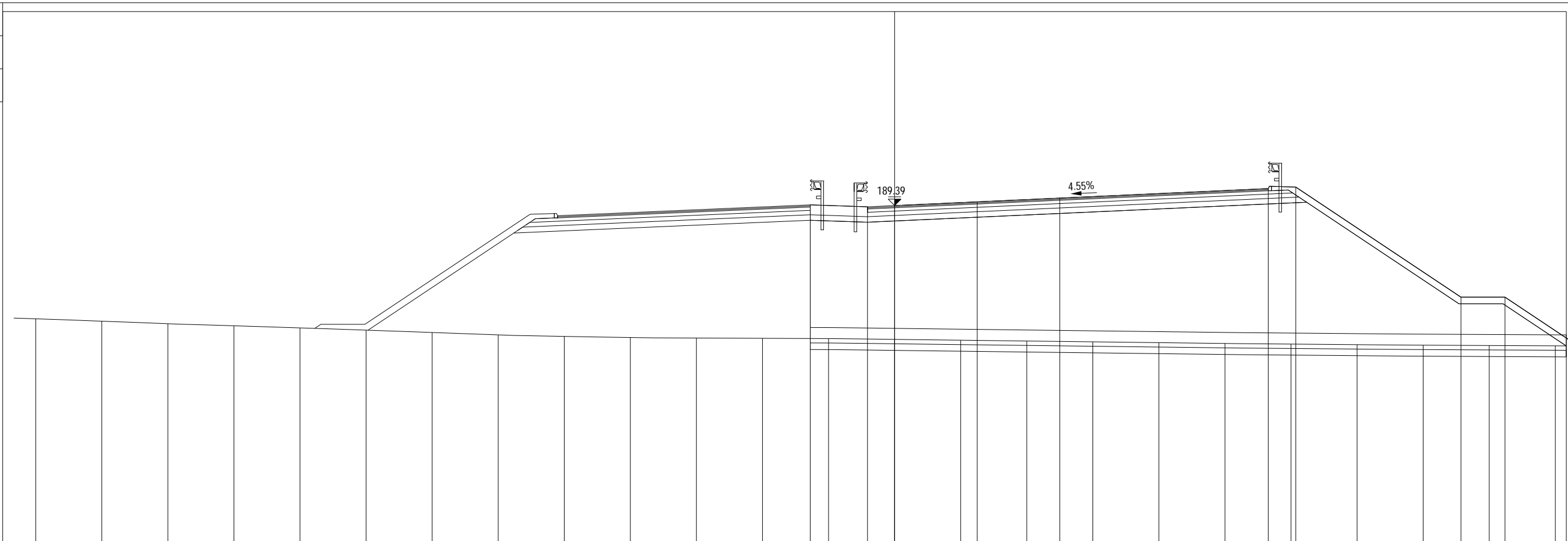
												189.29	189.21	189.26	189.43	189.60	189.73	189.80		184.80	184.80	182.98	
--	--	--	--	--	--	--	--	--	--	--	--	--------	--------	--------	--------	--------	--------	--------	--	--------	--------	--------	--

PROFILO 2.6a\_CUNEO

SEZIONE 95

PROGRESSIVA 1793.04

A RILEVATO	m <sup>2</sup>	166.61
AN ANTICAPILLARE	m <sup>2</sup>	17.05
C BINDER	m <sup>2</sup>	0.91
D BASE	m <sup>2</sup>	2.88
MC MISTO CEMENTATO	m <sup>2</sup>	5.06
MS MISTO STABILIZZATO	m <sup>2</sup>	5.61
VR VEGETALE RIL	m <sup>2</sup>	4.22
a USURA	m	18.22
br BONIFICA	m	34.19
sc SCOTICO	m	34.19
tn TNT	m	34.19



174  
▼

200  
200

PROGRESSIVE TERRENO	-39.00	-36.00	-33.00	-30.00	-27.00	-24.00	-21.00	-18.00	-15.00	-12.00	-9.00	-6.00	-3.00	0.00	3.00	6.00	9.00	12.00	15.00	18.00	21.00	24.00	27.00	30.00
PARZIALI TERRENO		3.00	3.00	3.00	3.00	3.00	3.00	3.00	3.00	3.00	3.00	3.00	3.00	3.00	3.00	3.00	3.00	3.00	3.00	3.00	3.00	3.00	3.00	3.00
QUOTE TERRENO	184.24	184.14	184.02	183.93	183.83	183.73	183.62	183.51	183.45	183.40	183.37	183.36	183.35	183.31	183.27	183.24	183.20	183.16	183.13	183.10	183.07	183.05	183.03	183.02
PROGRESSIVE PROGETTO													-3.83	-1.23	0.00	3.75	7.50			16.97	18.22		25.72	27.72
PARZIALI PROGETTO													2.60	1.23	3.75	3.75		9.47		1.25	7.50		2.00	3.32
QUOTE PROGETTO													189.42	189.33	189.39	189.56	189.73			190.16	190.23		185.23	185.23

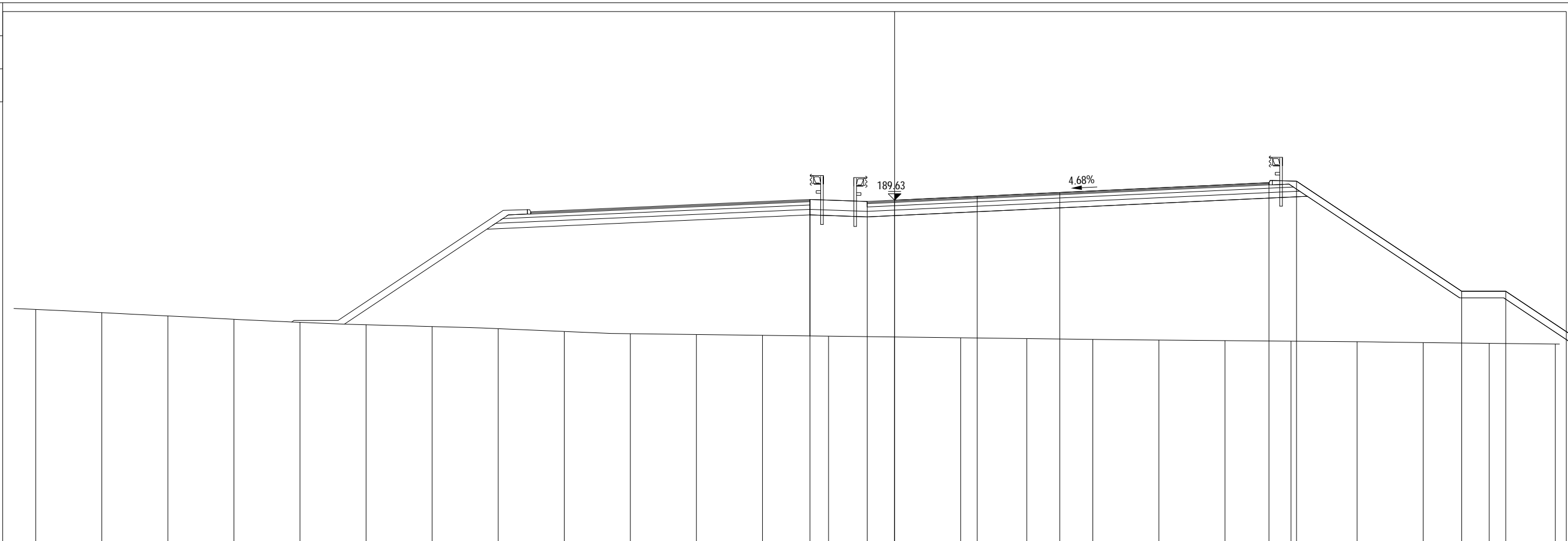


PROFILO 2.6a\_CUNEO

SEZIONE 96

PROGRESSIVA 1803.49

A RILEVATO	m <sup>2</sup>	171.80
AN ANTICAPILLARE	m <sup>2</sup>	16.92
C BINDER	m <sup>2</sup>	0.91
D BASE	m <sup>2</sup>	2.89
MC MISTO CEMENTATO	m <sup>2</sup>	5.09
MS MISTO STABILIZZATO	m <sup>2</sup>	5.60
VR VEGETALE RIL	m <sup>2</sup>	4.11
a USURA	m	18.26
br BONIFICA	m	33.84
sc SCOTICO	m	33.84
tn TNT	m	33.84



PROGRESSIVE TERRENO

-39.00	-36.00	-33.00	-30.00	-27.00	-24.00	-21.00	-18.00	-15.00	-12.00	-9.00	-6.00	-3.00	0.00	3.00	6.00	9.00	12.00	15.00	18.00	21.00	24.00	27.00	30.00
--------	--------	--------	--------	--------	--------	--------	--------	--------	--------	-------	-------	-------	------	------	------	------	-------	-------	-------	-------	-------	-------	-------

PARZIALI TERRENO

3.00	3.00	3.00	3.00	3.00	3.00	3.00	3.00	3.00	3.00	3.00	3.00	3.00	3.00	3.00	3.00	3.00	3.00	3.00	3.00	3.00	3.00	3.00	3.00
------	------	------	------	------	------	------	------	------	------	------	------	------	------	------	------	------	------	------	------	------	------	------	------

QUOTE TERRENO

184.67	184.52	184.37	184.22	184.08	183.97	183.89	183.80	183.67	183.57	183.53	183.49	183.46	183.42	183.38	183.35	183.31	183.28	183.25	183.23	183.20	183.16	183.13	183.10
--------	--------	--------	--------	--------	--------	--------	--------	--------	--------	--------	--------	--------	--------	--------	--------	--------	--------	--------	--------	--------	--------	--------	--------

PROGRESSIVE PROGETTO

												-3.84	-1.24	0.00	3.75	7.50			17.00	18.25		25.75	27.75
--	--	--	--	--	--	--	--	--	--	--	--	-------	-------	------	------	------	--	--	-------	-------	--	-------	-------

PARZIALI PROGETTO

												2.60	1.24	3.75	3.75		9.50		1.25	7.50		2.00	3.62
--	--	--	--	--	--	--	--	--	--	--	--	------	------	------	------	--	------	--	------	------	--	------	------

QUOTE PROGETTO

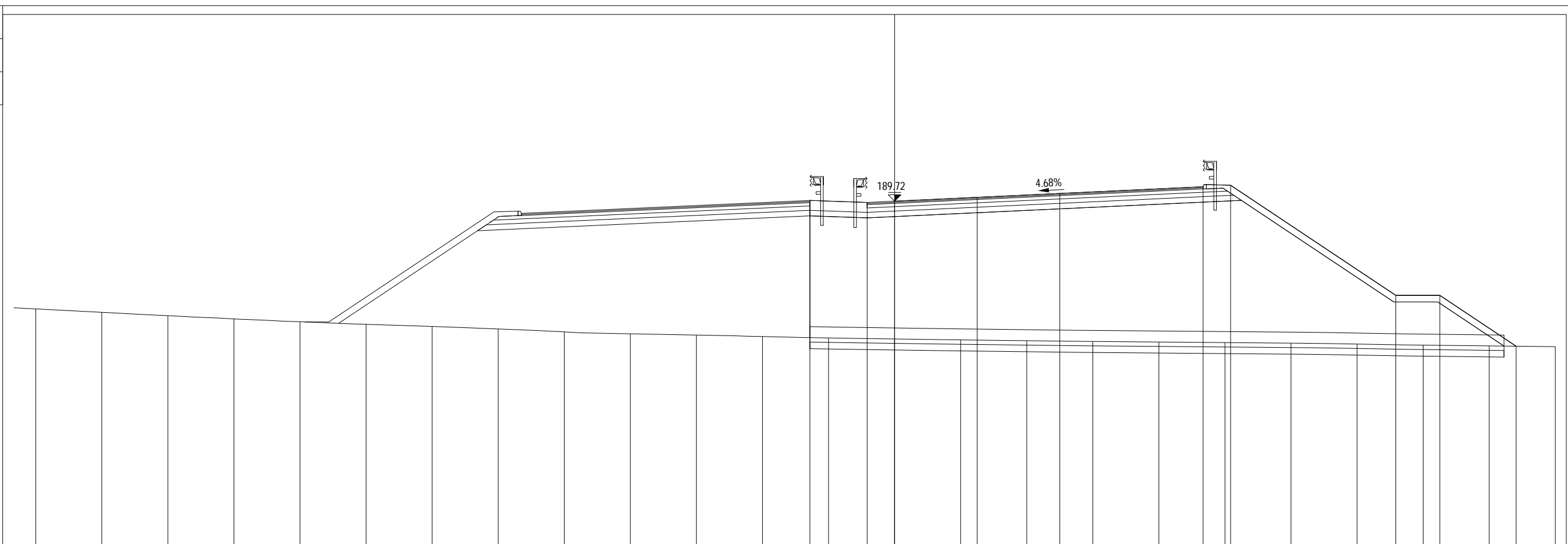
												189.66	189.57	189.63	189.81	189.98			190.43	190.49		185.49	185.49
--	--	--	--	--	--	--	--	--	--	--	--	--------	--------	--------	--------	--------	--	--	--------	--------	--	--------	--------

PROFILO 2.6a\_CUNEO

SEZIONE 97

PROGRESSIVA 1807.15

A RILEVATO	m <sup>2</sup>	152.10
AN ANTICAPILLARE	m <sup>2</sup>	15.70
C BINDER	m <sup>2</sup>	0.76
D BASE	m <sup>2</sup>	2.44
MC MISTO CEMENTATO	m <sup>2</sup>	4.48
MS MISTO STABILIZZATO	m <sup>2</sup>	4.87
VR VEGETALE RIL	m <sup>2</sup>	4.32
a USURA	m	15.28
br BONIFICA	m	31.39
sc SCOTICO	m	31.39
tn TNT	m	31.39



174  
200

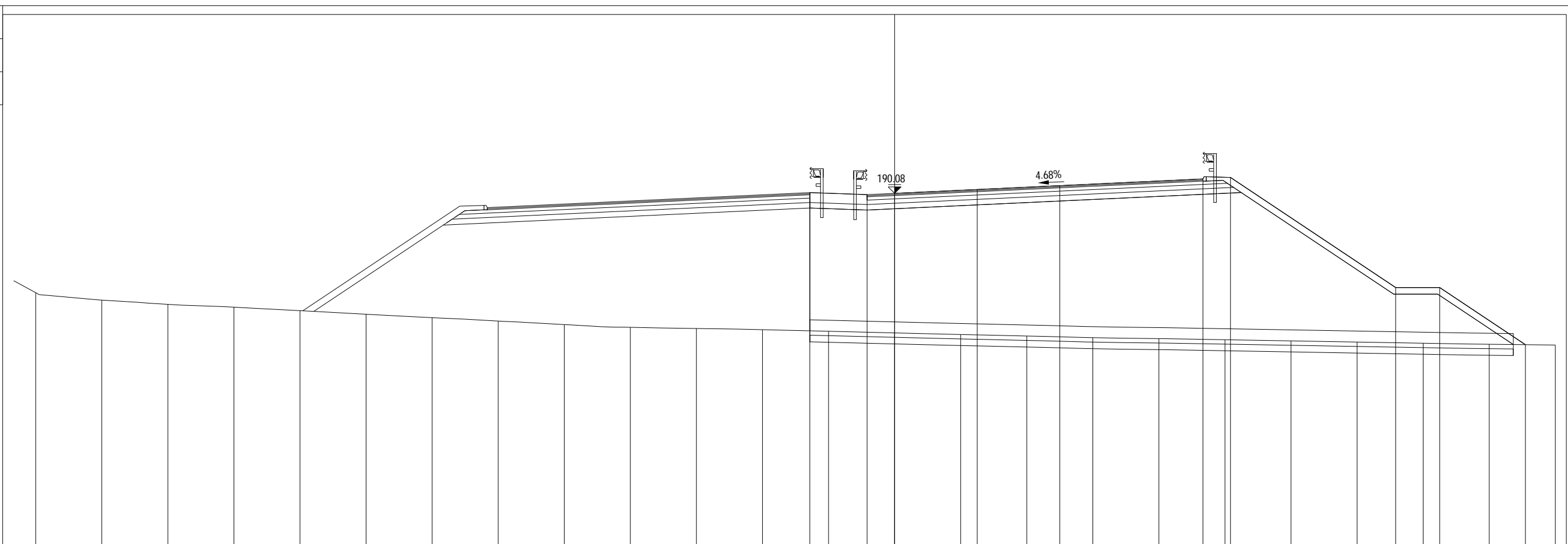
PROGRESSIVE TERRENO	-39.00	-36.00	-33.00	-30.00	-27.00	-24.00	-21.00	-18.00	-15.00	-12.00	-9.00	-6.00	-3.00	0.00	3.00	6.00	9.00	12.00	15.00	18.00	21.00	24.00	27.00	30.00
PARZIALI TERRENO		3.00	3.00	3.00	3.00	3.00	3.00	3.00	3.00	3.00	3.00	3.00	3.00	3.00	3.00	3.00	3.00	3.00	3.00	3.00	3.00	3.00	3.00	3.00
QUOTE TERRENO	184.83	184.67	184.52	184.37	184.25	184.13	184.03	183.92	183.78	183.70	183.64	183.57	183.51	183.46	183.42	183.38	183.35	183.32	183.30	183.27	183.23	183.18	183.15	183.11
PROGRESSIVE PROGETTO													-3.85	-1.25	0.00	3.75	7.50		14.01	15.26		22.76	24.76	28.22
PARZIALI PROGETTO													2.60	1.25	3.75	3.75	6.51		1.25	7.50		2.00	3.46	
QUOTE PROGETTO													189.75	189.66	189.72	189.90	190.07		190.38	190.44		185.44	185.44	183.13

PROFILO 2.6a\_CUNEO

SEZIONE 98

PROGRESSIVA 1821.01

A RILEVATO	m <sup>2</sup>	158.06
AN ANTICAPILLARE	m <sup>2</sup>	15.88
C BINDER	m <sup>2</sup>	0.77
D BASE	m <sup>2</sup>	2.42
MC MISTO CEMENTATO	m <sup>2</sup>	4.48
MS MISTO STABILIZZATO	m <sup>2</sup>	4.87
VR VEGETALE RIL	m <sup>2</sup>	4.49
a USURA	m	15.27
br BONIFICA	m	31.81
sc SCOTICO	m	31.81
tn TNT	m	31.81



PROGRESSIVE TERRENO

-39.00	-36.00	-33.00	-30.00	-27.00	-24.00	-21.00	-18.00	-15.00	-12.00	-9.00	-6.00	-3.00	0.00	3.00	6.00	9.00	12.00	15.00	18.00	21.00	24.00	27.00	30.00
--------	--------	--------	--------	--------	--------	--------	--------	--------	--------	-------	-------	-------	------	------	------	------	-------	-------	-------	-------	-------	-------	-------

PARZIALI TERRENO

3.00	3.00	3.00	3.00	3.00	3.00	3.00	3.00	3.00	3.00	3.00	3.00	3.00	3.00	3.00	3.00	3.00	3.00	3.00	3.00	3.00	3.00	3.00	3.00
------	------	------	------	------	------	------	------	------	------	------	------	------	------	------	------	------	------	------	------	------	------	------	------

QUOTE TERRENO

185.56	185.23	185.04	184.91	184.75	184.59	184.43	184.28	184.12	183.99	183.94	183.89	183.81	183.74	183.67	183.60	183.52	183.48	183.43	183.38	183.32	183.27	183.22	183.19
--------	--------	--------	--------	--------	--------	--------	--------	--------	--------	--------	--------	--------	--------	--------	--------	--------	--------	--------	--------	--------	--------	--------	--------

PROGRESSIVE PROGETTO

												-3.85	-1.25	0.00	3.75	7.50		14.00	15.25		22.75	24.75		28.64
--	--	--	--	--	--	--	--	--	--	--	--	-------	-------	------	------	------	--	-------	-------	--	-------	-------	--	-------

PARZIALI PROGETTO

												2.60	1.25	3.75	3.75	6.50		1.25	7.50		2.00	3.89		
--	--	--	--	--	--	--	--	--	--	--	--	------	------	------	------	------	--	------	------	--	------	------	--	--

QUOTE PROGETTO

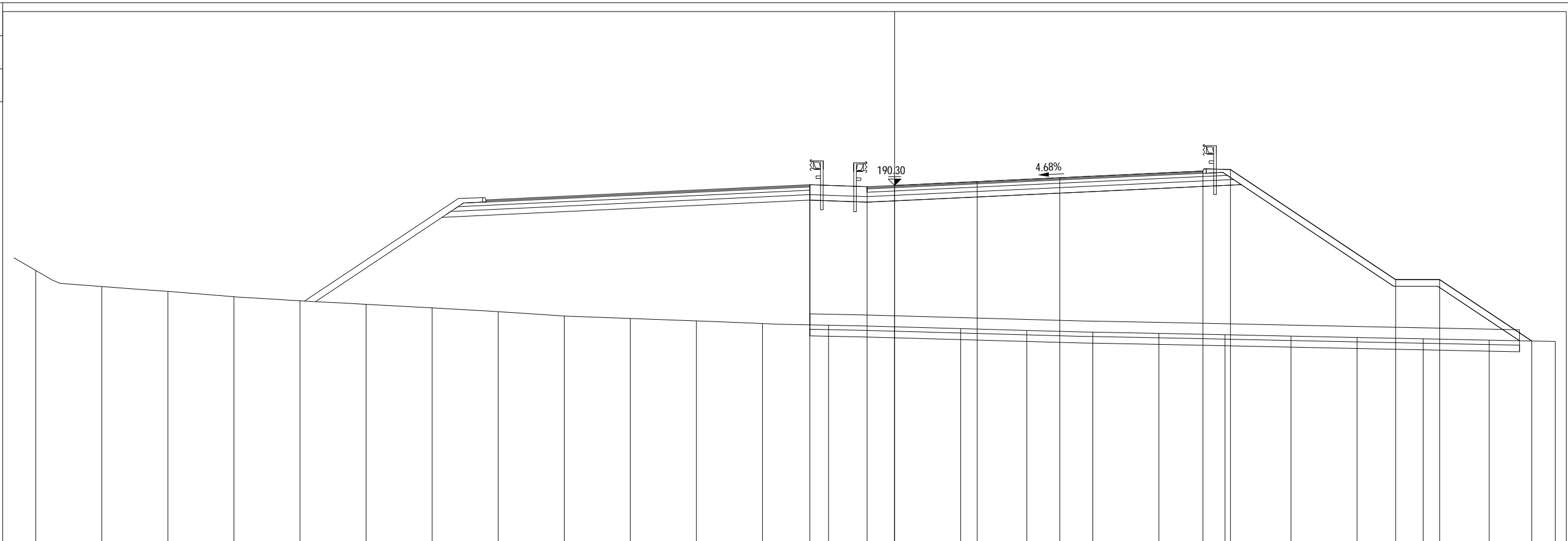
												190.11	190.02	190.08	190.25	190.43		190.73	190.80		185.80	185.80		183.20
--	--	--	--	--	--	--	--	--	--	--	--	--------	--------	--------	--------	--------	--	--------	--------	--	--------	--------	--	--------

PROFILO 2.6a\_CUNEO

SEZIONE 99

PROGRESSIVA 1829.28

A RILEVATO	m <sup>2</sup>	161.90
AN ANTICAPILLARE	m <sup>2</sup>	16.06
C BINDER	m <sup>2</sup>	0.77
D BASE	m <sup>2</sup>	2.43
MC MISTO CEMENTATO	m <sup>2</sup>	4.49
MS MISTO STABILIZZATO	m <sup>2</sup>	4.87
VR VEGETALE RIL	m <sup>2</sup>	4.58
a USURA	m	15.27
br BONIFICA	m	32.09
sc SCOTICO	m	32.09
tn TNT	m	32.09



PROGRESSIVE TERRENO

-39.00	-36.00	-33.00	-30.00	-27.00	-24.00	-21.00	-18.00	-15.00	-12.00	-9.00	-6.00	-3.00	0.00	3.00	6.00	9.00	12.00	15.00	18.00	21.00	24.00	27.00	30.00
--------	--------	--------	--------	--------	--------	--------	--------	--------	--------	-------	-------	-------	------	------	------	------	-------	-------	-------	-------	-------	-------	-------

PARZIALI TERRENO

3.00	3.00	3.00	3.00	3.00	3.00	3.00	3.00	3.00	3.00	3.00	3.00	3.00	3.00	3.00	3.00	3.00	3.00	3.00	3.00	3.00	3.00	3.00	3.00
------	------	------	------	------	------	------	------	------	------	------	------	------	------	------	------	------	------	------	------	------	------	------	------

QUOTE TERRENO

186.44	185.71	185.49	185.25	185.06	184.90	184.74	184.57	184.37	184.26	184.15	184.03	183.95	183.88	183.80	183.72	183.64	183.58	183.52	183.46	183.40	183.34	183.27	183.22
--------	--------	--------	--------	--------	--------	--------	--------	--------	--------	--------	--------	--------	--------	--------	--------	--------	--------	--------	--------	--------	--------	--------	--------

PROGRESSIVE PROGETTO

												-3.85	-1.25	0.00	3.75	7.50		14.00	15.25		22.75	24.75	28.93
--	--	--	--	--	--	--	--	--	--	--	--	-------	-------	------	------	------	--	-------	-------	--	-------	-------	-------

PARZIALI PROGETTO

												2.60	1.25	3.75	3.75	6.50		1.25	7.50		2.00	4.18	
--	--	--	--	--	--	--	--	--	--	--	--	------	------	------	------	------	--	------	------	--	------	------	--

QUOTE PROGETTO

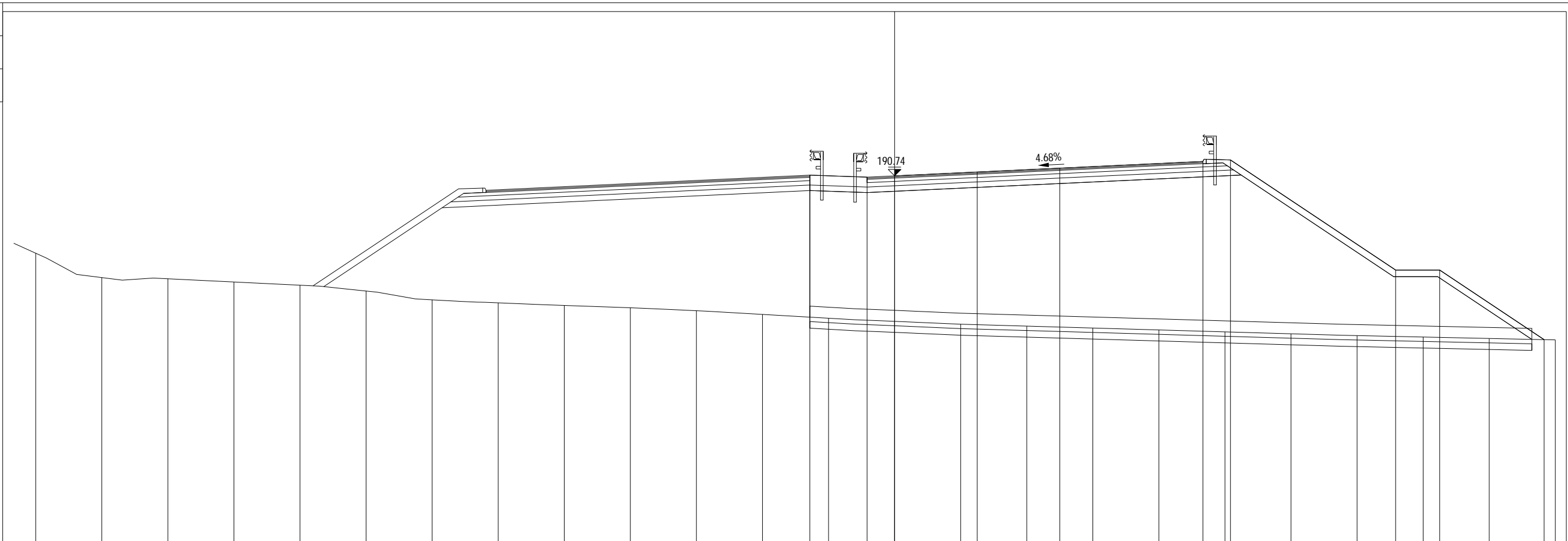
												190.34	190.24	190.30	190.48	190.65		190.96	191.02		186.02	186.02	183.24
--	--	--	--	--	--	--	--	--	--	--	--	--------	--------	--------	--------	--------	--	--------	--------	--	--------	--------	--------

PROFILO 2.6a\_CUNEO

SEZIONE 100

PROGRESSIVA 1844.36

A RILEVATO	m <sup>2</sup>	170.86
AN ANTICAPILLARE	m <sup>2</sup>	16.32
C BINDER	m <sup>2</sup>	0.76
D BASE	m <sup>2</sup>	2.43
MC MISTO CEMENTATO	m <sup>2</sup>	4.50
MS MISTO STABILIZZATO	m <sup>2</sup>	4.85
VR VEGETALE RIL	m <sup>2</sup>	4.79
a USURA	m	15.27
br BONIFICA	m	32.65
sc SCOTICO	m	32.65
tn TNT	m	32.65



PROGRESSIVE TERRENO

-39.00	-36.00	-33.00	-30.00	-27.00	-24.00	-21.00	-18.00	-15.00	-12.00	-9.00	-6.00	-3.00	0.00	3.00	6.00	9.00	12.00	15.00	18.00	21.00	24.00	27.00	30.00
--------	--------	--------	--------	--------	--------	--------	--------	--------	--------	-------	-------	-------	------	------	------	------	-------	-------	-------	-------	-------	-------	-------

PARZIALI TERRENO

3.00	3.00	3.00	3.00	3.00	3.00	3.00	3.00	3.00	3.00	3.00	3.00	3.00	3.00	3.00	3.00	3.00	3.00	3.00	3.00	3.00	3.00	3.00	3.00
------	------	------	------	------	------	------	------	------	------	------	------	------	------	------	------	------	------	------	------	------	------	------	------

QUOTE TERRENO

187.22	186.12	186.06	185.92	185.77	185.51	185.11	184.97	184.85	184.75	184.61	184.44	184.27	184.13	184.00	183.91	183.83	183.74	183.65	183.56	183.48	183.42	183.35	183.29
--------	--------	--------	--------	--------	--------	--------	--------	--------	--------	--------	--------	--------	--------	--------	--------	--------	--------	--------	--------	--------	--------	--------	--------

PROGRESSIVE PROGETTO

												-3.85	-1.25	0.00	3.75	7.50		14.00	15.25		22.75	24.75		29.49
--	--	--	--	--	--	--	--	--	--	--	--	-------	-------	------	------	------	--	-------	-------	--	-------	-------	--	-------

PARZIALI PROGETTO

												2.60	1.25	3.75	3.75	6.50		1.25	7.50		2.00	4.74		
--	--	--	--	--	--	--	--	--	--	--	--	------	------	------	------	------	--	------	------	--	------	------	--	--

QUOTE PROGETTO

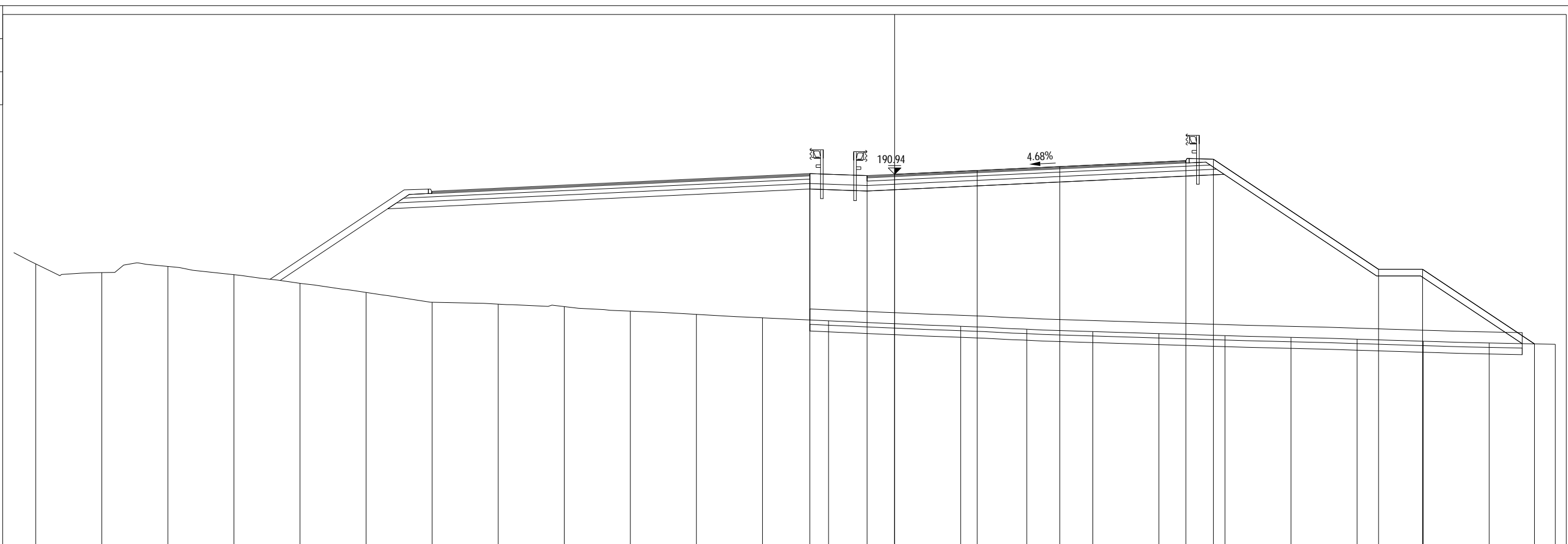
												190.77	190.68	190.74	190.91	191.09		191.39	191.46		186.46	186.46		183.30
--	--	--	--	--	--	--	--	--	--	--	--	--------	--------	--------	--------	--------	--	--------	--------	--	--------	--------	--	--------

PROFILO 2.6a\_CUNEO

SEZIONE 101

PROGRESSIVA 1851.15

A RILEVATO	m <sup>2</sup>	171.73
AN ANTICAPILLARE	m <sup>2</sup>	16.13
C BINDER	m <sup>2</sup>	0.72
D BASE	m <sup>2</sup>	2.33
MC MISTO CEMENTATO	m <sup>2</sup>	4.33
MS MISTO STABILIZZATO	m <sup>2</sup>	4.68
VR VEGETALE RIL	m <sup>2</sup>	4.77
a USURA	m	14.49
br BONIFICA	m	32.21
sc SCOTICO	m	32.21
tn TNT	m	32.21



PROGRESSIVE TERRENO

-39.00	-36.00	-33.00	-30.00	-27.00	-24.00	-21.00	-18.00	-15.00	-12.00	-9.00	-6.00	-3.00	0.00	3.00	6.00	9.00	12.00	15.00	18.00	21.00	24.00	27.00	30.00
--------	--------	--------	--------	--------	--------	--------	--------	--------	--------	-------	-------	-------	------	------	------	------	-------	-------	-------	-------	-------	-------	-------

PARZIALI TERRENO

3.00	3.00	3.00	3.00	3.00	3.00	3.00	3.00	3.00	3.00	3.00	3.00	3.00	3.00	3.00	3.00	3.00	3.00	3.00	3.00	3.00	3.00	3.00	3.00
------	------	------	------	------	------	------	------	------	------	------	------	------	------	------	------	------	------	------	------	------	------	------	------

QUOTE TERRENO

186.87	186.48	186.76	186.38	185.99	185.58	185.13	185.04	184.93	184.73	184.58	184.42	184.29	184.16	184.04	183.91	183.80	183.71	183.62	183.54	183.45	183.36	183.28	183.22
--------	--------	--------	--------	--------	--------	--------	--------	--------	--------	--------	--------	--------	--------	--------	--------	--------	--------	--------	--------	--------	--------	--------	--------

PROGRESSIVE PROGETTO

												-3.85	-1.25	0.00	3.75	7.50		13.22	14.47		21.97	23.97		29.05
--	--	--	--	--	--	--	--	--	--	--	--	-------	-------	------	------	------	--	-------	-------	--	-------	-------	--	-------

PARZIALI PROGETTO

												2.60	1.25	3.75	3.75	5.72		1.25	7.50		2.00	5.08		
--	--	--	--	--	--	--	--	--	--	--	--	------	------	------	------	------	--	------	------	--	------	------	--	--

QUOTE PROGETTO

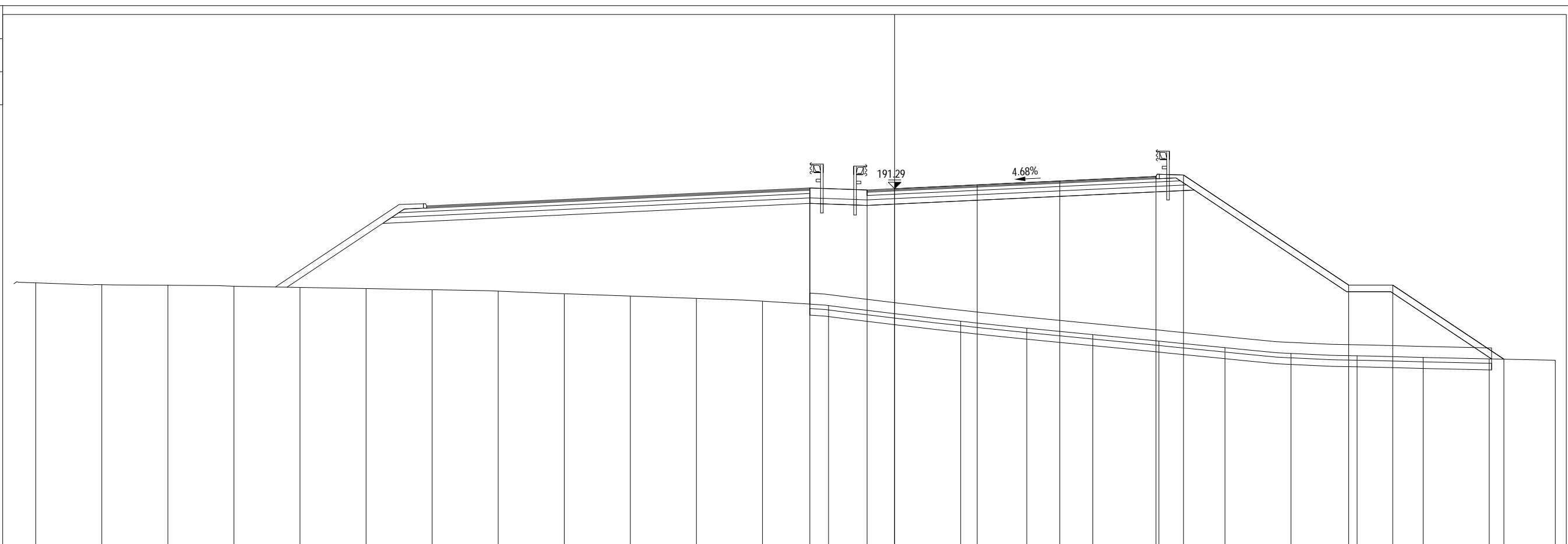
												190.97	190.88	190.94	191.12	191.29		191.56	191.63		186.63	186.63		183.24
--	--	--	--	--	--	--	--	--	--	--	--	--------	--------	--------	--------	--------	--	--------	--------	--	--------	--------	--	--------

PROFILO 2.6a\_CUNEO

SEZIONE 102

PROGRESSIVA 1862.74

A RILEVATO	m <sup>2</sup>	147.41
AN ANTICAPILLARE	m <sup>2</sup>	15.38
C BINDER	m <sup>2</sup>	0.65
D BASE	m <sup>2</sup>	2.12
MC MISTO CEMENTATO	m <sup>2</sup>	4.05
MS MISTO STABILIZZATO	m <sup>2</sup>	4.32
VR VEGETALE RIL	m <sup>2</sup>	4.90
a USURA	m	13.13
br BONIFICA	m	30.93
sc SCOTICO	m	30.93
tn TNT	m	30.82



PROGRESSIVE TERRENO

-39.00	-36.00	-33.00	-30.00	-27.00	-24.00	-21.00	-18.00	-15.00	-12.00	-9.00	-6.00	-3.00	0.00	3.00	6.00	9.00	12.00	15.00	18.00	21.00	24.00	27.00	30.00
--------	--------	--------	--------	--------	--------	--------	--------	--------	--------	-------	-------	-------	------	------	------	------	-------	-------	-------	-------	-------	-------	-------

PARZIALI TERRENO

3.00	3.00	3.00	3.00	3.00	3.00	3.00	3.00	3.00	3.00	3.00	3.00	3.00	3.00	3.00	3.00	3.00	3.00	3.00	3.00	3.00	3.00	3.00	3.00
------	------	------	------	------	------	------	------	------	------	------	------	------	------	------	------	------	------	------	------	------	------	------	------

QUOTE TERRENO

187.01	186.93	186.90	186.86	186.80	186.75	186.70	186.64	186.52	186.41	186.31	186.18	185.98	185.61	185.27	184.95	184.66	184.37	184.07	183.81	183.70	183.62	183.56	183.50
--------	--------	--------	--------	--------	--------	--------	--------	--------	--------	--------	--------	--------	--------	--------	--------	--------	--------	--------	--------	--------	--------	--------	--------

PROGRESSIVE PROGETTO

												-3.85	-1.25	0.00	3.75	7.50	11.87	13.12		20.62	22.62		27.67
--	--	--	--	--	--	--	--	--	--	--	--	-------	-------	------	------	------	-------	-------	--	-------	-------	--	-------

PARZIALI PROGETTO

												2.60	1.25	3.75	3.75	4.37	1.25	7.50		2.00	5.05		
--	--	--	--	--	--	--	--	--	--	--	--	------	------	------	------	------	------	------	--	------	------	--	--

QUOTE PROGETTO

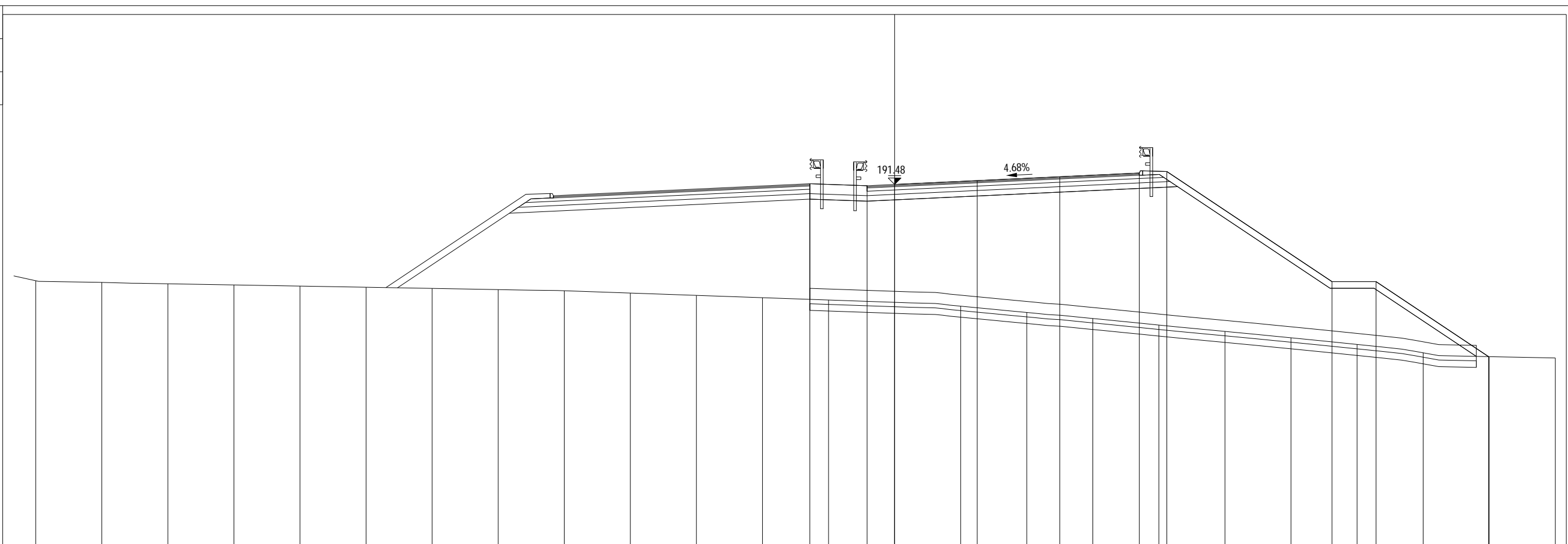
												191.32	191.23	191.29	191.46	191.64	191.84	191.91		186.91	186.91		183.54
--	--	--	--	--	--	--	--	--	--	--	--	--------	--------	--------	--------	--------	--------	--------	--	--------	--------	--	--------

PROFILO 2.6a\_CUNEO

SEZIONE 103

PROGRESSIVA 1869.18

A RILEVATO	m <sup>2</sup>	129.55
AN ANTICAPILLARE	m <sup>2</sup>	15.03
C BINDER	m <sup>2</sup>	0.62
D BASE	m <sup>2</sup>	2.01
MC MISTO CEMENTATO	m <sup>2</sup>	3.90
MS MISTO STABILIZZATO	m <sup>2</sup>	4.15
VR VEGETALE RIL	m <sup>2</sup>	4.91
a USURA	m	12.37
br BONIFICA	m	30.24
sc SCOTICO	m	30.24
tn TNT	m	30.13



PROGRESSIVE TERRENO

-39.00	-36.00	-33.00	-30.00	-27.00	-24.00	-21.00	-18.00	-15.00	-12.00	-9.00	-6.00	-3.00	0.00	3.00	6.00	9.00	12.00	15.00	18.00	21.00	24.00	27.00	30.00
--------	--------	--------	--------	--------	--------	--------	--------	--------	--------	-------	-------	-------	------	------	------	------	-------	-------	-------	-------	-------	-------	-------

PARZIALI TERRENO

3.00	3.00	3.00	3.00	3.00	3.00	3.00	3.00	3.00	3.00	3.00	3.00	3.00	3.00	3.00	3.00	3.00	3.00	3.00	3.00	3.00	3.00	3.00	3.00
------	------	------	------	------	------	------	------	------	------	------	------	------	------	------	------	------	------	------	------	------	------	------	------

QUOTE TERRENO

187.11	187.03	186.97	186.92	186.86	186.81	186.76	186.71	186.65	186.55	186.44	186.34	186.23	186.13	185.95	185.67	185.39	185.09	184.81	184.52	184.22	183.84	183.66	183.60
--------	--------	--------	--------	--------	--------	--------	--------	--------	--------	--------	--------	--------	--------	--------	--------	--------	--------	--------	--------	--------	--------	--------	--------

PROGRESSIVE PROGETTO

												-3.85	-1.25	0.00	3.75	7.50	11.11	12.36		19.86	21.86		26.97
--	--	--	--	--	--	--	--	--	--	--	--	-------	-------	------	------	------	-------	-------	--	-------	-------	--	-------

PARZIALI PROGETTO

												2.60	1.25	3.75	3.75	3.61	1.25	7.50		2.00	5.11		
--	--	--	--	--	--	--	--	--	--	--	--	------	------	------	------	------	------	------	--	------	------	--	--

QUOTE PROGETTO

												191.51	191.42	191.48	191.66	191.83	192.00	192.07		187.07	187.07		183.66
--	--	--	--	--	--	--	--	--	--	--	--	--------	--------	--------	--------	--------	--------	--------	--	--------	--------	--	--------

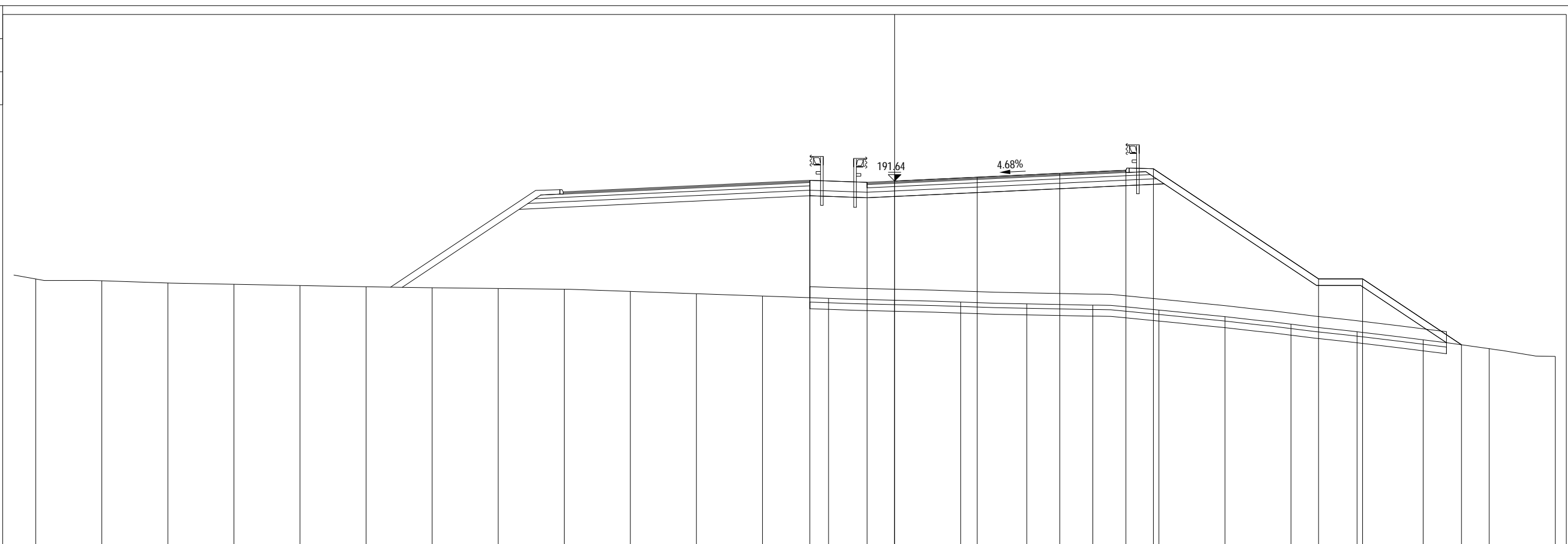


PROFILO 2.6a\_CUNEO

SEZIONE 104

PROGRESSIVA 1874.35

A RILEVATO	m <sup>2</sup>	115.79
AN ANTICAPILLARE	m <sup>2</sup>	14.38
C BINDER	m <sup>2</sup>	0.59
D BASE	m <sup>2</sup>	1.91
MC MISTO CEMENTATO	m <sup>2</sup>	3.77
MS MISTO STABILIZZATO	m <sup>2</sup>	3.99
VR VEGETALE RIL	m <sup>2</sup>	4.64
a USURA	m	11.76
br BONIFICA	m	28.82
sc SCOTICO	m	28.82
tn TNT	m	28.75



PROGRESSIVE TERRENO

-39.00	-36.00	-33.00	-30.00	-27.00	-24.00	-21.00	-18.00	-15.00	-12.00	-9.00	-6.00	-3.00	0.00	3.00	6.00	9.00	12.00	15.00	18.00	21.00	24.00	27.00	30.00
--------	--------	--------	--------	--------	--------	--------	--------	--------	--------	-------	-------	-------	------	------	------	------	-------	-------	-------	-------	-------	-------	-------

PARZIALI TERRENO

3.00	3.00	3.00	3.00	3.00	3.00	3.00	3.00	3.00	3.00	3.00	3.00	3.00	3.00	3.00	3.00	3.00	3.00	3.00	3.00	3.00	3.00	3.00	3.00
------	------	------	------	------	------	------	------	------	------	------	------	------	------	------	------	------	------	------	------	------	------	------	------

QUOTE TERRENO

187.19	187.11	187.01	186.95	186.89	186.83	186.79	186.76	186.72	186.62	186.52	186.41	186.31	186.22	186.14	186.06	186.00	185.78	185.48	185.14	184.79	184.42	184.02	183.67
--------	--------	--------	--------	--------	--------	--------	--------	--------	--------	--------	--------	--------	--------	--------	--------	--------	--------	--------	--------	--------	--------	--------	--------

PROGRESSIVE PROGETTO

												-3.85	-1.25	0.00	3.75	7.50	10.50	11.75		19.25	21.25		25.74
--	--	--	--	--	--	--	--	--	--	--	--	-------	-------	------	------	------	-------	-------	--	-------	-------	--	-------

PARZIALI PROGETTO

												2.60	1.25	3.75	3.75	3.00	1.25	7.50		2.00	4.49		
--	--	--	--	--	--	--	--	--	--	--	--	------	------	------	------	------	------	------	--	------	------	--	--

QUOTE PROGETTO

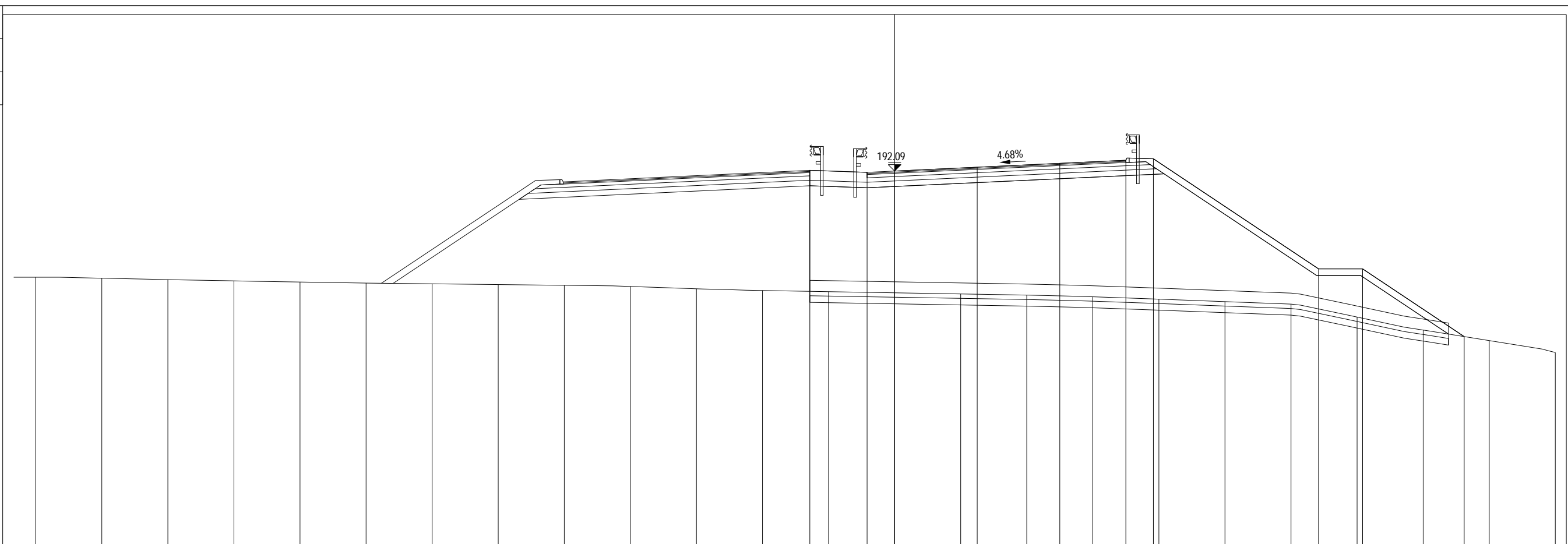
												191.67	191.58	191.64	191.81	191.99	192.13	192.19		187.19	187.19		184.20
--	--	--	--	--	--	--	--	--	--	--	--	--------	--------	--------	--------	--------	--------	--------	--	--------	--------	--	--------

PROFILO 2.6a\_CUNEO

SEZIONE 105

PROGRESSIVA 1889.50

A RILEVATO	m <sup>2</sup>	114.33
AN ANTICAPILLARE	m <sup>2</sup>	14.41
C BINDER	m <sup>2</sup>	0.59
D BASE	m <sup>2</sup>	1.91
MC MISTO CEMENTATO	m <sup>2</sup>	3.76
MS MISTO STABILIZZATO	m <sup>2</sup>	4.01
VR VEGETALE RIL	m <sup>2</sup>	4.73
a USURA	m	11.76
br BONIFICA	m	28.96
sc SCOTICO	m	28.96
tn TNT	m	28.83



PROGRESSIVE TERRENO

-39.00	-36.00	-33.00	-30.00	-27.00	-24.00	-21.00	-18.00	-15.00	-12.00	-9.00	-6.00	-3.00	0.00	3.00	6.00	9.00	12.00	15.00	18.00	21.00	24.00	27.00	30.00
--------	--------	--------	--------	--------	--------	--------	--------	--------	--------	-------	-------	-------	------	------	------	------	-------	-------	-------	-------	-------	-------	-------

PARZIALI TERRENO

3.00	3.00	3.00	3.00	3.00	3.00	3.00	3.00	3.00	3.00	3.00	3.00	3.00	3.00	3.00	3.00	3.00	3.00	3.00	3.00	3.00	3.00	3.00	3.00
------	------	------	------	------	------	------	------	------	------	------	------	------	------	------	------	------	------	------	------	------	------	------	------

QUOTE TERRENO

187.27	187.22	187.16	187.10	187.05	187.00	186.97	186.93	186.90	186.85	186.74	186.66	186.61	186.56	186.51	186.46	186.38	186.27	186.16	186.05	185.46	184.87	184.39	183.85
--------	--------	--------	--------	--------	--------	--------	--------	--------	--------	--------	--------	--------	--------	--------	--------	--------	--------	--------	--------	--------	--------	--------	--------

PROGRESSIVE PROGETTO

												-3.85	-1.25	0.00	3.75	7.50	10.50	11.75		19.25	21.25		25.86
--	--	--	--	--	--	--	--	--	--	--	--	-------	-------	------	------	------	-------	-------	--	-------	-------	--	-------

PARZIALI PROGETTO

												2.60	1.25	3.75	3.75	3.00	1.25	7.50	2.00	4.61		
--	--	--	--	--	--	--	--	--	--	--	--	------	------	------	------	------	------	------	------	------	--	--

QUOTE PROGETTO

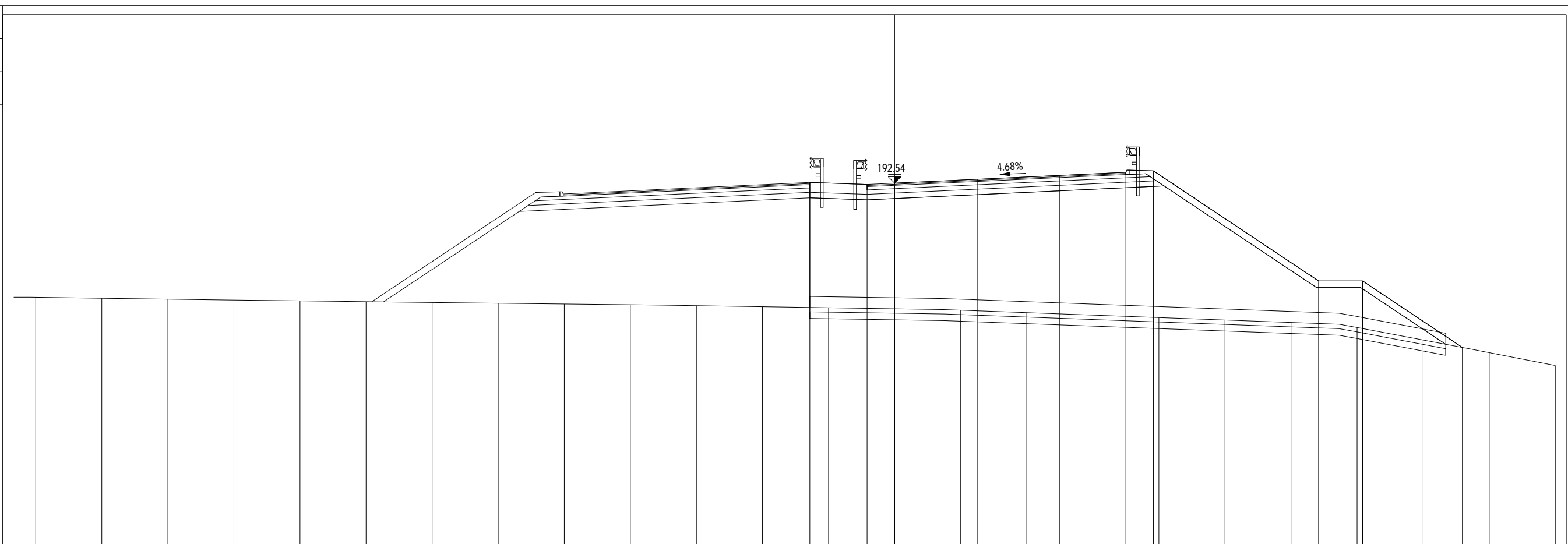
												192.12	192.03	192.09	192.26	192.44	192.58	192.65		187.65	187.65		184.57
--	--	--	--	--	--	--	--	--	--	--	--	--------	--------	--------	--------	--------	--------	--------	--	--------	--------	--	--------

PROFILO 2.6a\_CUNEO

SEZIONE 106

PROGRESSIVA 1904.56

A RILEVATO	m <sup>2</sup>	119.43
AN ANTICAPILLARE	m <sup>2</sup>	14.36
C BINDER	m <sup>2</sup>	0.58
D BASE	m <sup>2</sup>	1.92
MC MISTO CEMENTATO	m <sup>2</sup>	3.78
MS MISTO STABILIZZATO	m <sup>2</sup>	3.98
VR VEGETALE RIL	m <sup>2</sup>	4.68
a USURA	m	11.76
br BONIFICA	m	28.78
sc SCOTICO	m	28.78
tn TNT	m	28.69



PROGRESSIVE TERRENO

-39.00	-36.00	-33.00	-30.00	-27.00	-24.00	-21.00	-18.00	-15.00	-12.00	-9.00	-6.00	-3.00	0.00	3.00	6.00	9.00	12.00	15.00	18.00	21.00	24.00	27.00	30.00
--------	--------	--------	--------	--------	--------	--------	--------	--------	--------	-------	-------	-------	------	------	------	------	-------	-------	-------	-------	-------	-------	-------

PARZIALI TERRENO

3.00	3.00	3.00	3.00	3.00	3.00	3.00	3.00	3.00	3.00	3.00	3.00	3.00	3.00	3.00	3.00	3.00	3.00	3.00	3.00	3.00	3.00	3.00	3.00
------	------	------	------	------	------	------	------	------	------	------	------	------	------	------	------	------	------	------	------	------	------	------	------

QUOTE TERRENO

187.36	187.31	187.27	187.23	187.19	187.16	187.12	187.09	187.05	187.02	186.98	186.93	186.88	186.83	186.77	186.66	186.55	186.44	186.32	186.21	185.98	185.42	184.84	184.26
--------	--------	--------	--------	--------	--------	--------	--------	--------	--------	--------	--------	--------	--------	--------	--------	--------	--------	--------	--------	--------	--------	--------	--------

PROGRESSIVE PROGETTO

												-3.85	-1.25	0.00	3.75	7.50	10.50	11.75		19.25	21.25		25.78
--	--	--	--	--	--	--	--	--	--	--	--	-------	-------	------	------	------	-------	-------	--	-------	-------	--	-------

PARZIALI PROGETTO

												2.60	1.25	3.75	3.75	3.00	1.25	7.50		2.00	4.53		
--	--	--	--	--	--	--	--	--	--	--	--	------	------	------	------	------	------	------	--	------	------	--	--

QUOTE PROGETTO

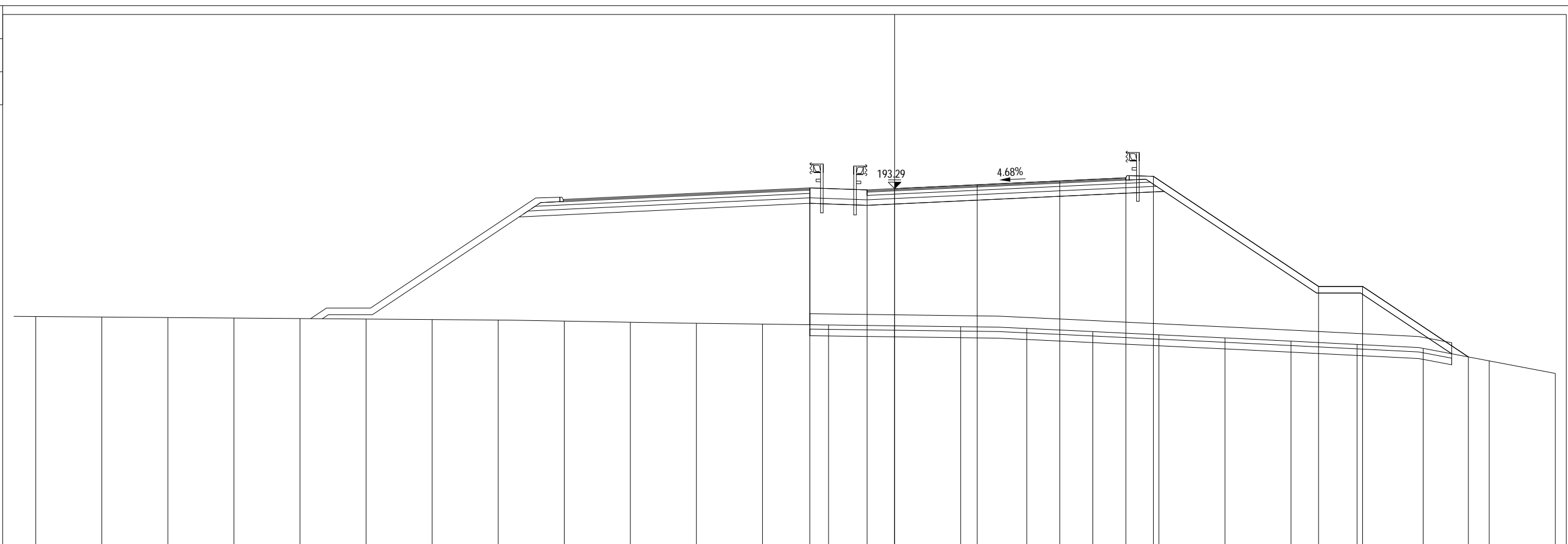
												192.57	192.48	192.54	192.72	192.89	193.03	193.10		188.10	188.10		185.08
--	--	--	--	--	--	--	--	--	--	--	--	--------	--------	--------	--------	--------	--------	--------	--	--------	--------	--	--------

PROFILO 2.6a\_CUNEO

SEZIONE 107

PROGRESSIVA 1929.65

A RILEVATO	m <sup>2</sup>	133.71
AN ANTICAPILLARE	m <sup>2</sup>	14.48
C BINDER	m <sup>2</sup>	0.59
D BASE	m <sup>2</sup>	1.91
MC MISTO CEMENTATO	m <sup>2</sup>	3.78
MS MISTO STABILIZZATO	m <sup>2</sup>	3.99
VR VEGETALE RIL	m <sup>2</sup>	4.75
a USURA	m	11.76
br BONIFICA	m	28.98
sc SCOTICO	m	28.98
tn TNT	m	28.96



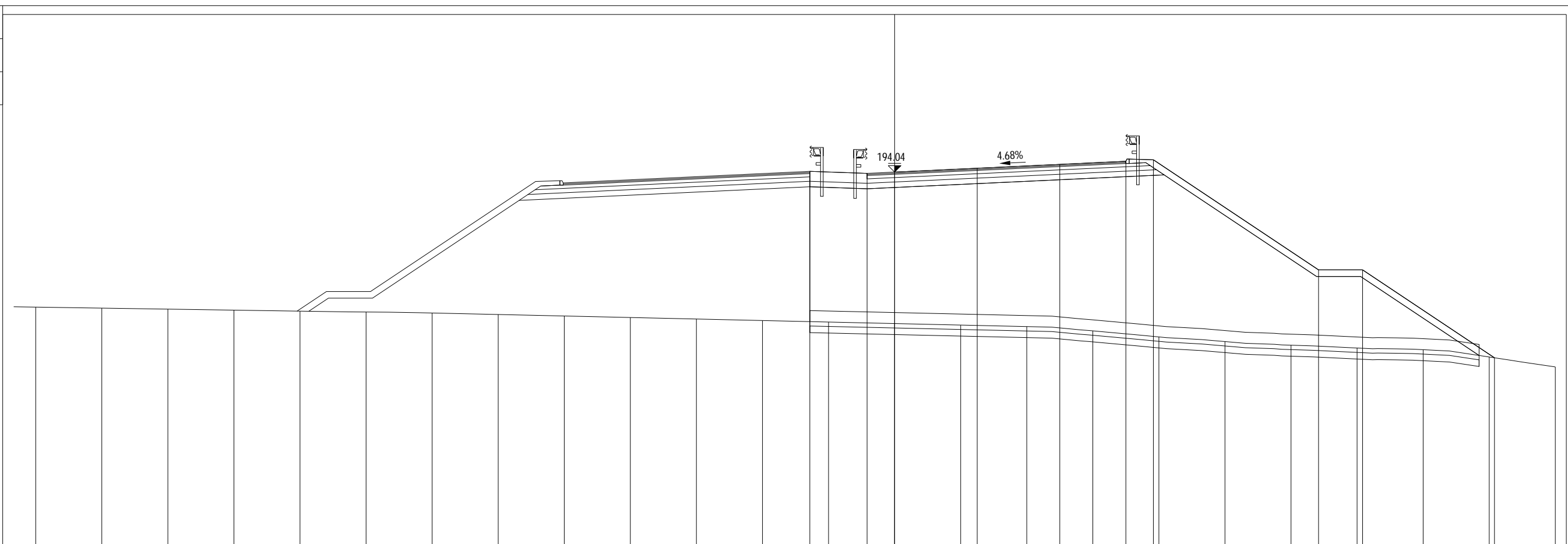
PROGRESSIVE TERRENO	-39.00	-36.00	-33.00	-30.00	-27.00	-24.00	-21.00	-18.00	-15.00	-12.00	-9.00	-6.00	-3.00	0.00	3.00	6.00	9.00	12.00	15.00	18.00	21.00	24.00	27.00	30.00
PARZIALI TERRENO		3.00	3.00	3.00	3.00	3.00	3.00	3.00	3.00	3.00	3.00	3.00	3.00	3.00	3.00	3.00	3.00	3.00	3.00	3.00	3.00	3.00	3.00	3.00
QUOTE TERRENO	187.48	187.46	187.44	187.41	187.39	187.37	187.34	187.32	187.28	187.22	187.18	187.14	187.10	187.06	187.02	186.94	186.80	186.65	186.51	186.36	186.21	186.04	185.47	184.90
PROGRESSIVE PROGETTO													-3.85	-1.25	0.00	3.75	7.50	10.50	11.75		19.25	21.25		26.05
PARZIALI PROGETTO													2.60	1.25	3.75	3.75	3.00	1.25	7.50	2.00	4.80			
QUOTE PROGETTO													193.32	193.23	193.29	193.47	193.64	193.78	193.85		188.85	188.85		185.65

PROFILO 2.6a\_CUNEO

SEZIONE 108

PROGRESSIVA 1954.74

A RILEVATO	m <sup>2</sup>	156.63
AN ANTICAPILLARE	m <sup>2</sup>	15.12
C BINDER	m <sup>2</sup>	0.59
D BASE	m <sup>2</sup>	1.90
MC MISTO CEMENTATO	m <sup>2</sup>	3.79
MS MISTO STABILIZZATO	m <sup>2</sup>	3.98
VR VEGETALE RIL	m <sup>2</sup>	5.19
a USURA	m	11.76
br BONIFICA	m	30.26
sc SCOTICO	m	30.26
tn TNT	m	30.22



177  
200

PROGRESSIVE TERRENO

-39.00	-36.00	-33.00	-30.00	-27.00	-24.00	-21.00	-18.00	-15.00	-12.00	-9.00	-6.00	-3.00	0.00	3.00	6.00	9.00	12.00	15.00	18.00	21.00	24.00	27.00	30.00
--------	--------	--------	--------	--------	--------	--------	--------	--------	--------	-------	-------	-------	------	------	------	------	-------	-------	-------	-------	-------	-------	-------

PARZIALI TERRENO

3.00	3.00	3.00	3.00	3.00	3.00	3.00	3.00	3.00	3.00	3.00	3.00	3.00	3.00	3.00	3.00	3.00	3.00	3.00	3.00	3.00	3.00	3.00	3.00
------	------	------	------	------	------	------	------	------	------	------	------	------	------	------	------	------	------	------	------	------	------	------	------

QUOTE TERRENO

187.91	187.86	187.82	187.77	187.73	187.69	187.64	187.57	187.51	187.44	187.37	187.30	187.23	187.16	187.09	187.03	186.83	186.56	186.35	186.18	186.05	185.98	185.64	185.19
--------	--------	--------	--------	--------	--------	--------	--------	--------	--------	--------	--------	--------	--------	--------	--------	--------	--------	--------	--------	--------	--------	--------	--------

PROGRESSIVE PROGETTO

												-3.85	-1.25	0.00	3.75	7.50	10.50	11.75		19.25	21.25		27.24
--	--	--	--	--	--	--	--	--	--	--	--	-------	-------	------	------	------	-------	-------	--	-------	-------	--	-------

PARZIALI PROGETTO

												2.60	1.25	3.75	3.75	3.00	1.25	7.50		2.00	5.99	
--	--	--	--	--	--	--	--	--	--	--	--	------	------	------	------	------	------	------	--	------	------	--

QUOTE PROGETTO

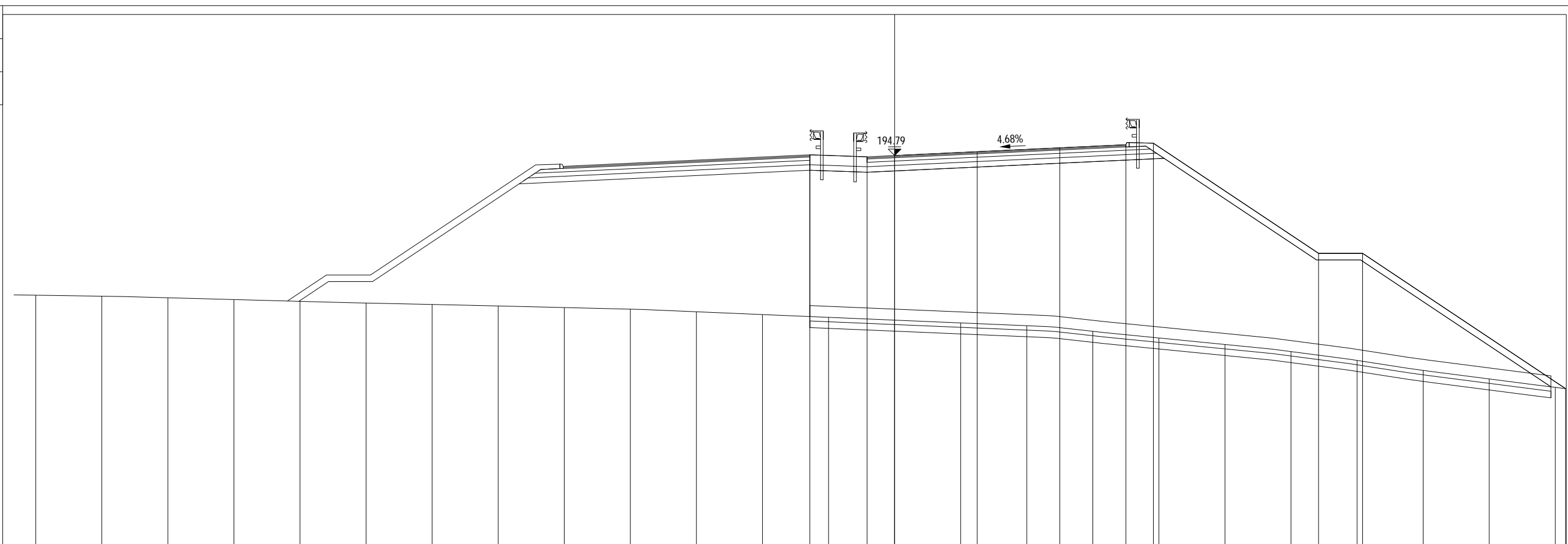
												194.08	193.98	194.04	194.22	194.39	194.53	194.60		189.60	189.60		185.61
--	--	--	--	--	--	--	--	--	--	--	--	--------	--------	--------	--------	--------	--------	--------	--	--------	--------	--	--------

PROFILO 2.6a\_CUNEO

SEZIONE 109

PROGRESSIVA 1979.83

A RILEVATO	m <sup>2</sup>	187.84
AN ANTICAPILLARE	m <sup>2</sup>	16.75
C BINDER	m <sup>2</sup>	0.59
D BASE	m <sup>2</sup>	1.91
MC MISTO CEMENTATO	m <sup>2</sup>	3.78
MS MISTO STABILIZZATO	m <sup>2</sup>	3.98
VR VEGETALE RIL	m <sup>2</sup>	6.44
a USURA	m	11.76
br BONIFICA	m	33.66
sc SCOTICO	m	33.66
tn TNT	m	33.50



177  
200

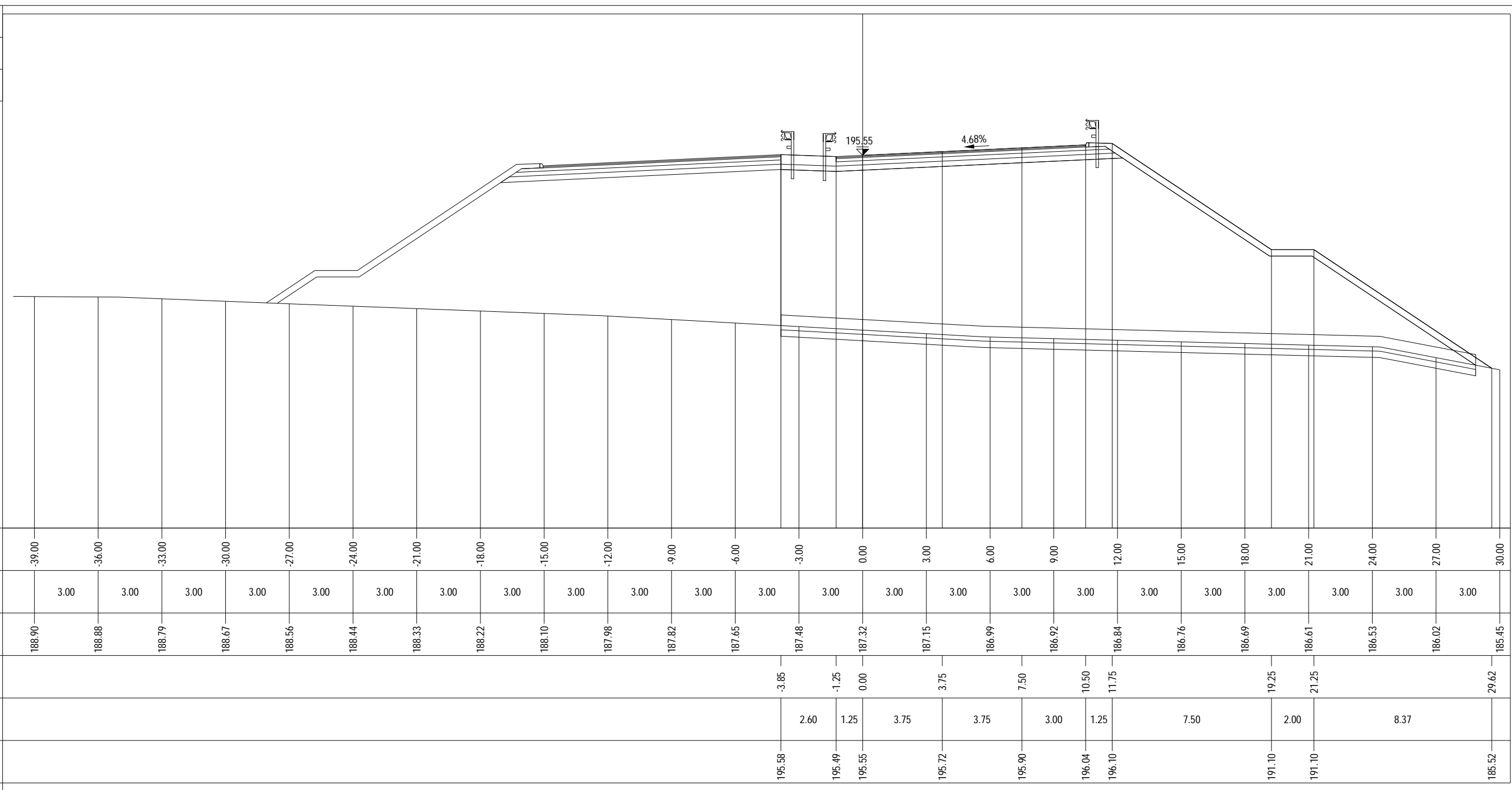
PROGRESSIVE TERRENO	-39.00	-36.00	-33.00	-30.00	-27.00	-24.00	-21.00	-18.00	-15.00	-12.00	-9.00	-6.00	-3.00	0.00	3.00	6.00	9.00	12.00	15.00	18.00	21.00	24.00	27.00	30.00
PARZIALI TERRENO		3.00	3.00	3.00	3.00	3.00	3.00	3.00	3.00	3.00	3.00	3.00	3.00	3.00	3.00	3.00	3.00	3.00	3.00	3.00	3.00	3.00	3.00	3.00
QUOTE TERRENO	188.45	188.41	188.33	188.25	188.17	188.09	188.03	187.96	187.89	187.82	187.70	187.57	187.45	187.32	187.19	187.07	186.81	186.51	186.21	185.89	185.49	185.04	184.65	184.27
PROGRESSIVE PROGETTO													-3.85	-1.25	0.00	3.75	7.50	10.50	11.75		19.25	21.25		30.47
PARZIALI PROGETTO													2.60	1.25	3.75	3.75	3.00	1.25	7.50	2.00		9.22		
QUOTE PROGETTO													194.83	194.74	194.79	194.97	195.14	195.29	195.35		190.35	190.35		184.21

PROFILO 2.6a\_CUNEO

SEZIONE 110

PROGRESSIVA 2004.92

A RILEVATO	m <sup>2</sup>	194.81
AN ANTICAPILLARE	m <sup>2</sup>	16.25
C BINDER	m <sup>2</sup>	0.59
D BASE	m <sup>2</sup>	1.90
MC MISTO CEMENTATO	m <sup>2</sup>	3.78
MS MISTO STABILIZZATO	m <sup>2</sup>	3.99
VR VEGETALE RIL	m <sup>2</sup>	6.07
a USURA	m	11.76
br BONIFICA	m	32.62
sc SCOTICO	m	32.62
tn TNT	m	32.53



178

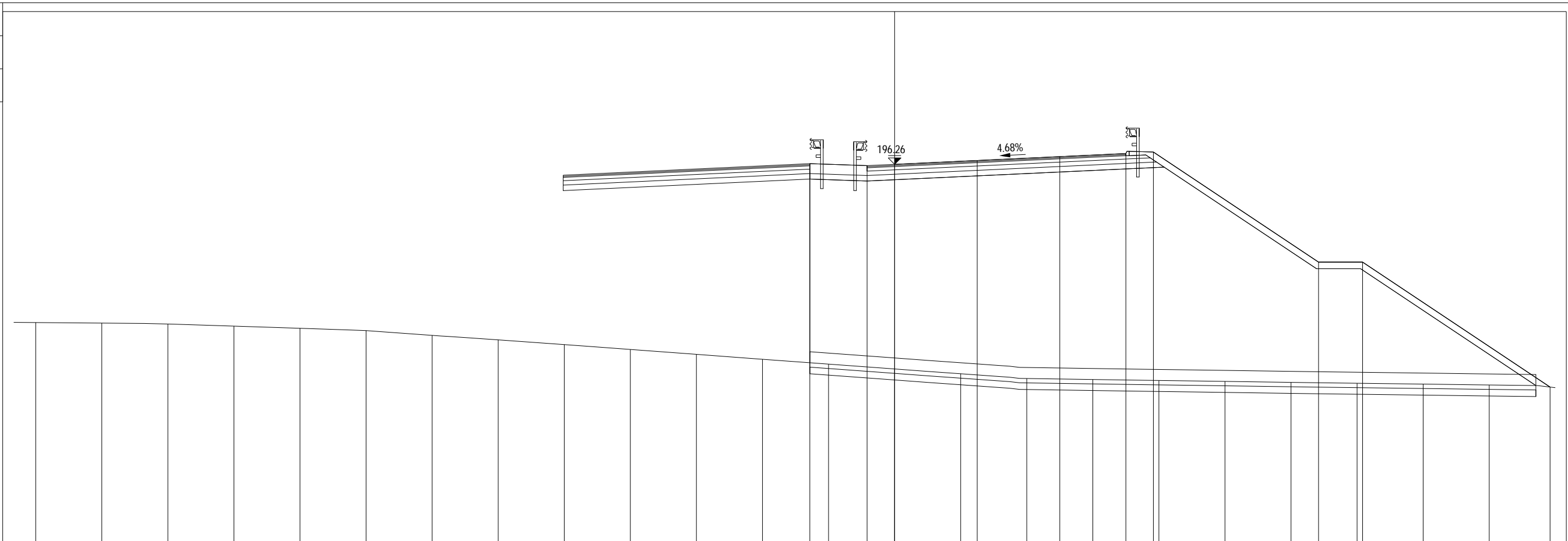
200

PROFILO 2.6a\_CUNEO

SEZIONE 111

PROGRESSIVA 2030.01

A RILEVATO	m <sup>2</sup>	227.74
AN ANTICAPILLARE	m <sup>2</sup>	16.41
C BINDER	m <sup>2</sup>	0.58
D BASE	m <sup>2</sup>	1.93
MC MISTO CEMENTATO	m <sup>2</sup>	3.78
MS MISTO STABILIZZATO	m <sup>2</sup>	3.98
VR VEGETALE RIL	m <sup>2</sup>	6.10
a USURA	m	11.76
br BONIFICA	m	32.86
sc SCOTICO	m	32.86
tn TNT	m	32.83



PROGRESSIVE TERRENO

-39.00	-36.00	-33.00	-30.00	-27.00	-24.00	-21.00	-18.00	-15.00	-12.00	-9.00	-6.00	-3.00	0.00	3.00	6.00	9.00	12.00	15.00	18.00	21.00	24.00	27.00
--------	--------	--------	--------	--------	--------	--------	--------	--------	--------	-------	-------	-------	------	------	------	------	-------	-------	-------	-------	-------	-------

PARZIALI TERRENO

3.00	3.00	3.00	3.00	3.00	3.00	3.00	3.00	3.00	3.00	3.00	3.00	3.00	3.00	3.00	3.00	3.00	3.00	3.00	3.00	3.00	3.00	3.00
------	------	------	------	------	------	------	------	------	------	------	------	------	------	------	------	------	------	------	------	------	------	------

QUOTE TERRENO

189.07	189.05	189.01	188.91	188.81	188.71	188.49	188.29	188.07	187.85	187.63	187.41	187.19	186.97	186.75	186.53	186.49	186.44	186.40	186.36	186.32	186.28	186.24
--------	--------	--------	--------	--------	--------	--------	--------	--------	--------	--------	--------	--------	--------	--------	--------	--------	--------	--------	--------	--------	--------	--------

PROGRESSIVE PROGETTO

												-3.85	-1.25	0.00	3.75	7.50	10.50	11.75		19.25	21.25		29.76
--	--	--	--	--	--	--	--	--	--	--	--	-------	-------	------	------	------	-------	-------	--	-------	-------	--	-------

PARZIALI PROGETTO

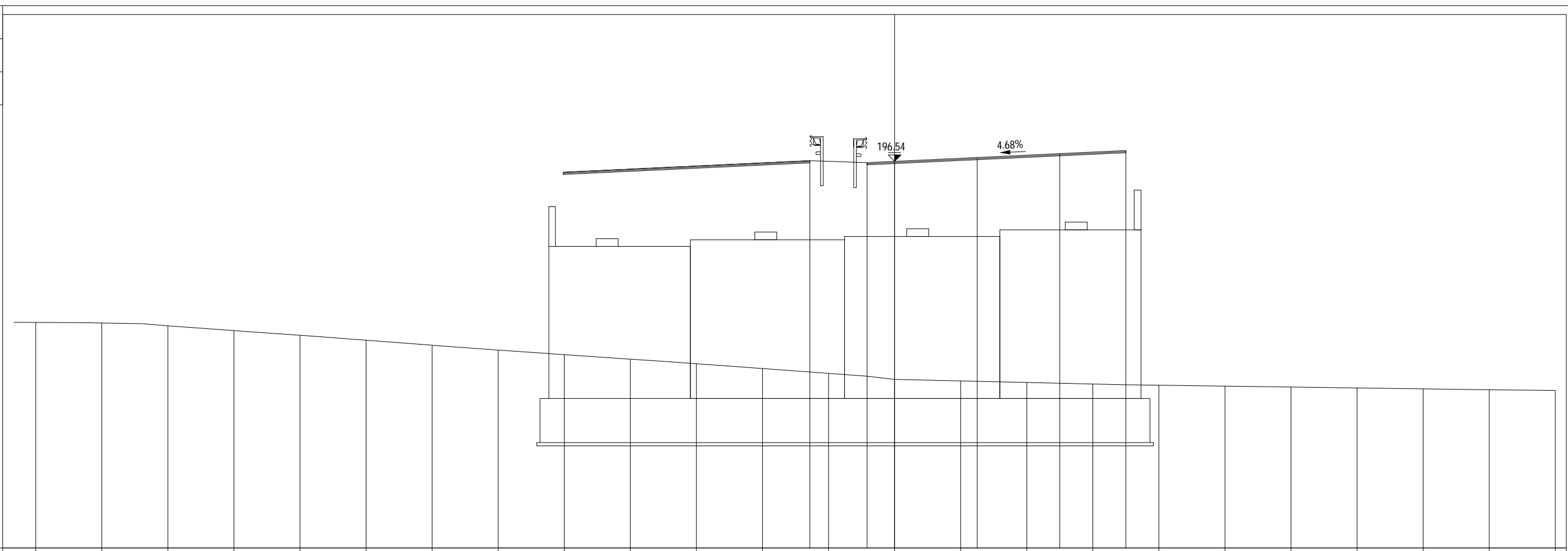
												2.60	1.25	3.75	3.75	3.00	1.25	7.50	2.00		8.51	
--	--	--	--	--	--	--	--	--	--	--	--	------	------	------	------	------	------	------	------	--	------	--

QUOTE PROGETTO

												196.29	196.20	196.26	196.44	196.61	196.75	196.82		191.82	191.82		186.14
--	--	--	--	--	--	--	--	--	--	--	--	--------	--------	--------	--------	--------	--------	--------	--	--------	--------	--	--------

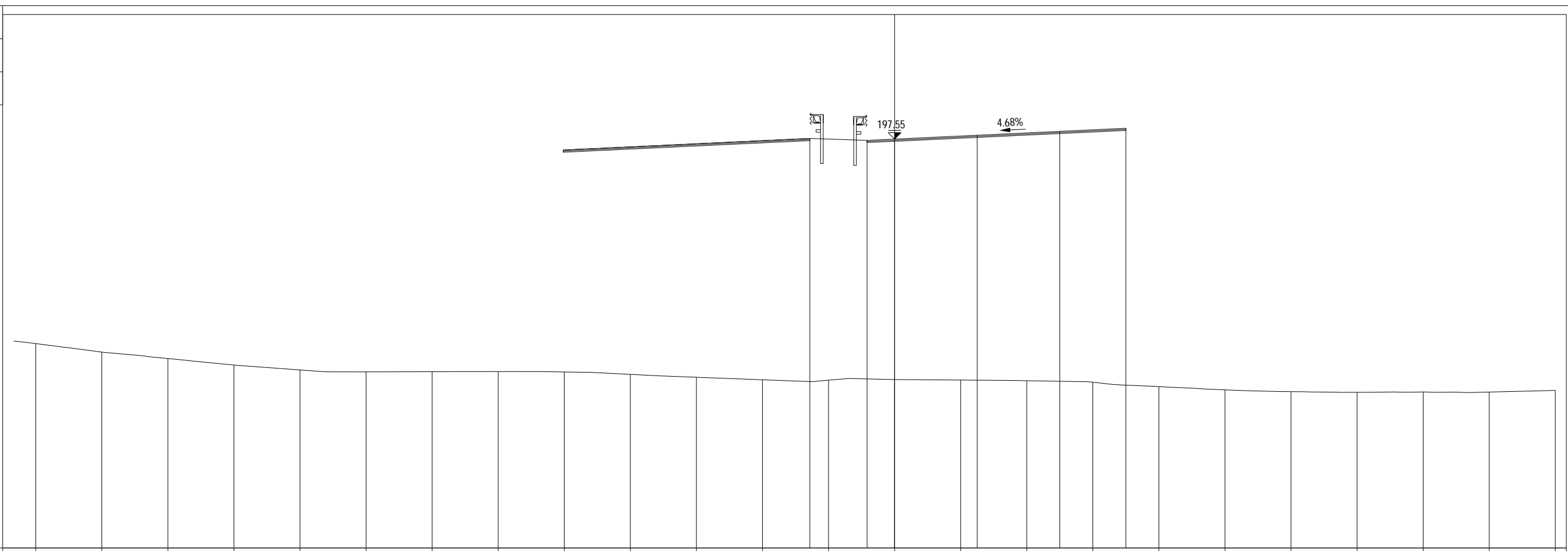


PROFILO 2.6a\_CUNEO  
 SEZIONE 112  
 PROGRESSIVA 2040.41



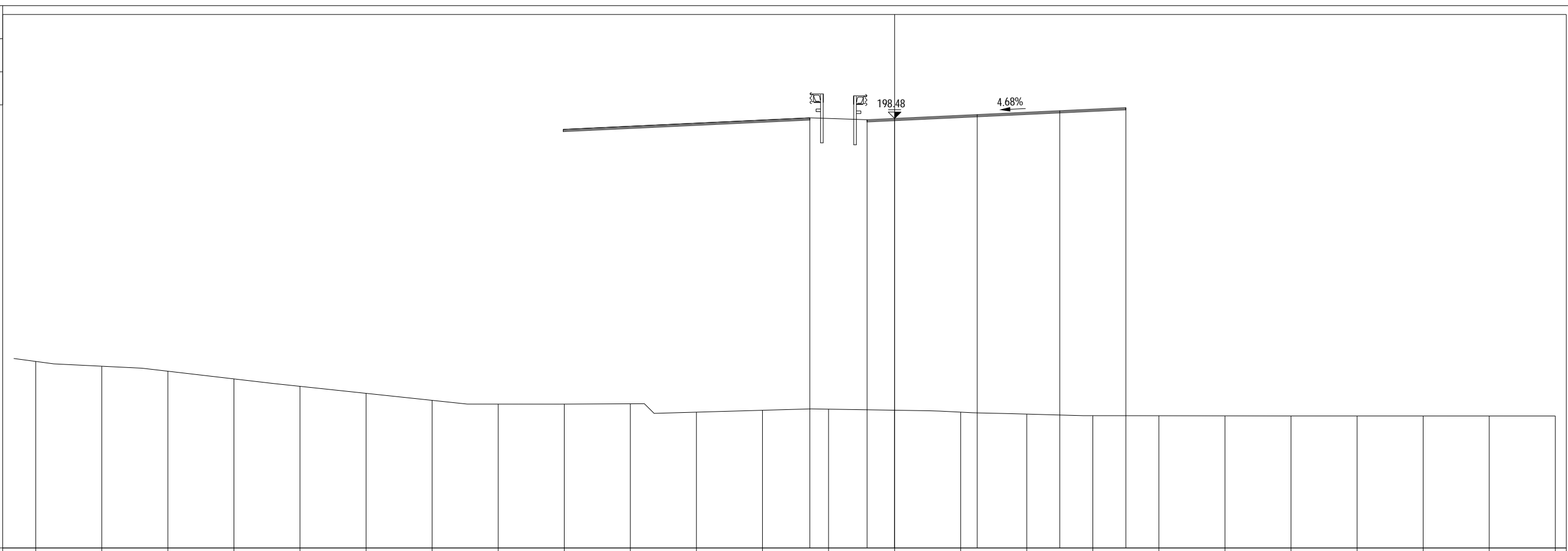
PROGRESSIVE TERRENO	-39.00	-36.00	-33.00	-30.00	-27.00	-24.00	-21.00	-18.00	-15.00	-12.00	-9.00	-6.00	-3.00	0.00	3.00	6.00	9.00	12.00	15.00	18.00	21.00	24.00	27.00	30.00
PARZIALI TERRENO		3.00	3.00	3.00	3.00	3.00	3.00	3.00	3.00	3.00	3.00	3.00	3.00	3.00	3.00	3.00	3.00	3.00	3.00	3.00	3.00	3.00	3.00	3.00
QUOTE TERRENO	189.23	189.21	189.08	188.86	188.65	188.42	188.20	187.98	187.77	187.56	187.36	187.14	186.92	186.65	186.58	186.51	186.44	186.38	186.34	186.30	186.26	186.22	186.18	186.15
PROGRESSIVE PROGETTO													-3.85	-1.25	0.00	3.75	7.50	10.50						
PARZIALI PROGETTO													2.60	1.25	3.75	3.75	3.00							
QUOTE PROGETTO													196.57	196.48	196.54	196.71	196.89	197.03						

PROFILO 2.6a\_CUNEO  
 SEZIONE 113  
 PROGRESSIVA 2082.97



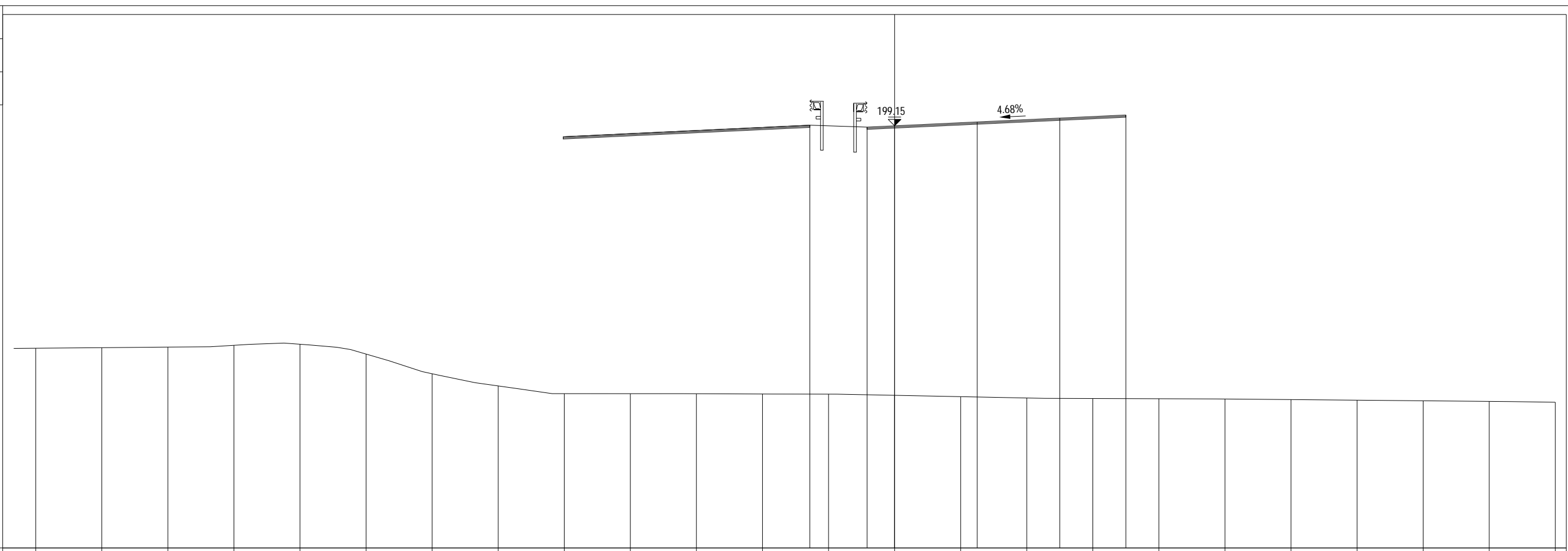
PROGRESSIVE TERRENO	-39.00	-36.00	-33.00	-30.00	-27.00	-24.00	-21.00	-18.00	-15.00	-12.00	-9.00	-6.00	-3.00	0.00	3.00	6.00	9.00	12.00	15.00	18.00	21.00	24.00	27.00	30.00
PARZIALI TERRENO		3.00	3.00	3.00	3.00	3.00	3.00	3.00	3.00	3.00	3.00	3.00	3.00	3.00	3.00	3.00	3.00	3.00	3.00	3.00	3.00	3.00	3.00	3.00
QUOTE TERRENO	188.27	187.88	187.59	187.30	187.07	186.99	187.00	187.00	186.98	186.87	186.74	186.63	186.61	186.64	186.62	186.59	186.52	186.32	186.17	186.09	186.06	186.08	186.07	186.15
PROGRESSIVE PROGETTO													-3.85	-1.25	0.00	3.75	7.50	10.50						
PARZIALI PROGETTO													2.60	1.25	3.75	3.75	3.00							
QUOTE PROGETTO													197.58	197.49	197.55	197.72	197.90	198.04						

PROFILO 2.6a\_CUNEO  
 SEZIONE 114  
 PROGRESSIVA 2133.03



PROGRESSIVE TERRENO	-39.00	-36.00	-33.00	-30.00	-27.00	-24.00	-21.00	-18.00	-15.00	-12.00	-9.00	-6.00	-3.00	0.00	3.00	6.00	9.00	12.00	15.00	18.00	21.00	24.00	27.00	30.00
PARZIALI TERRENO		3.00	3.00	3.00	3.00	3.00	3.00	3.00	3.00	3.00	3.00	3.00	3.00	3.00	3.00	3.00	3.00	3.00	3.00	3.00	3.00	3.00	3.00	3.00
QUOTE TERRENO	187.46	187.24	187.02	186.67	186.33	186.01	185.70	185.53	185.53	185.54	185.16	185.25	185.30	185.25	185.16	185.07	185.00	185.00	184.99	184.99	184.99	184.99	184.99	184.99
PROGRESSIVE PROGETTO													-3.85	-1.25	0.00	3.75	7.50	10.50						
PARZIALI PROGETTO													2.60	1.25	3.75	3.75	3.00							
QUOTE PROGETTO													198.51	198.43	198.48	198.66	198.83	198.98						

PROFILO 2.6a\_CUNEO  
 SEZIONE 115  
 PROGRESSIVA 2183.14



PROGRESSIVE TERRENO	-39.00	-36.00	-33.00	-30.00	-27.00	-24.00	-21.00	-18.00	-15.00	-12.00	-9.00	-6.00	-3.00	0.00	3.00	6.00	9.00	12.00	15.00	18.00	21.00	24.00	27.00	30.00
PARZIALI TERRENO		3.00	3.00	3.00	3.00	3.00	3.00	3.00	3.00	3.00	3.00	3.00	3.00	3.00	3.00	3.00	3.00	3.00	3.00	3.00	3.00	3.00	3.00	3.00
QUOTE TERRENO	189.06	189.09	189.11	189.19	189.24	188.80	187.90	187.35	187.00	187.00	187.00	186.98	186.98	186.92	186.86	186.80	186.78	186.77	186.76	186.73	186.70	186.68	186.65	186.61
PROGRESSIVE PROGETTO													-3.85	-1.25	0.00	3.75	7.50	10.50						
PARZIALI PROGETTO													2.60	1.25	3.75	3.75	3.00							
QUOTE PROGETTO													199.18	199.09	199.15	199.32	199.50	199.64						

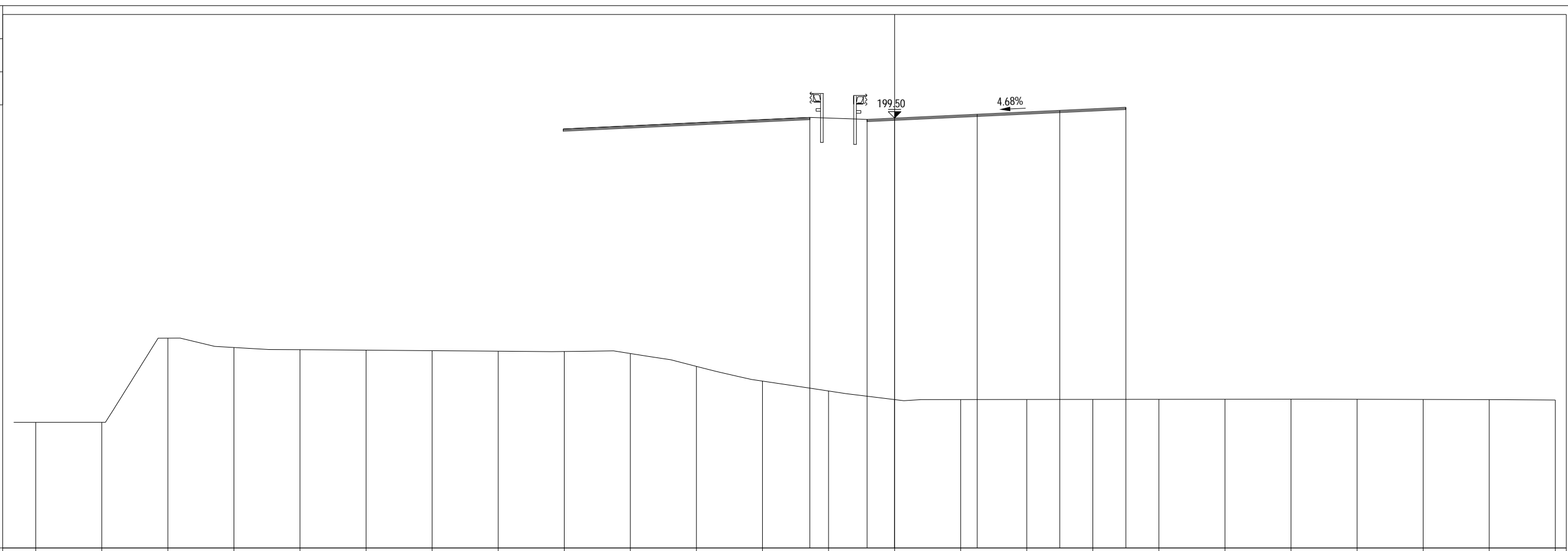
180

200

199.15

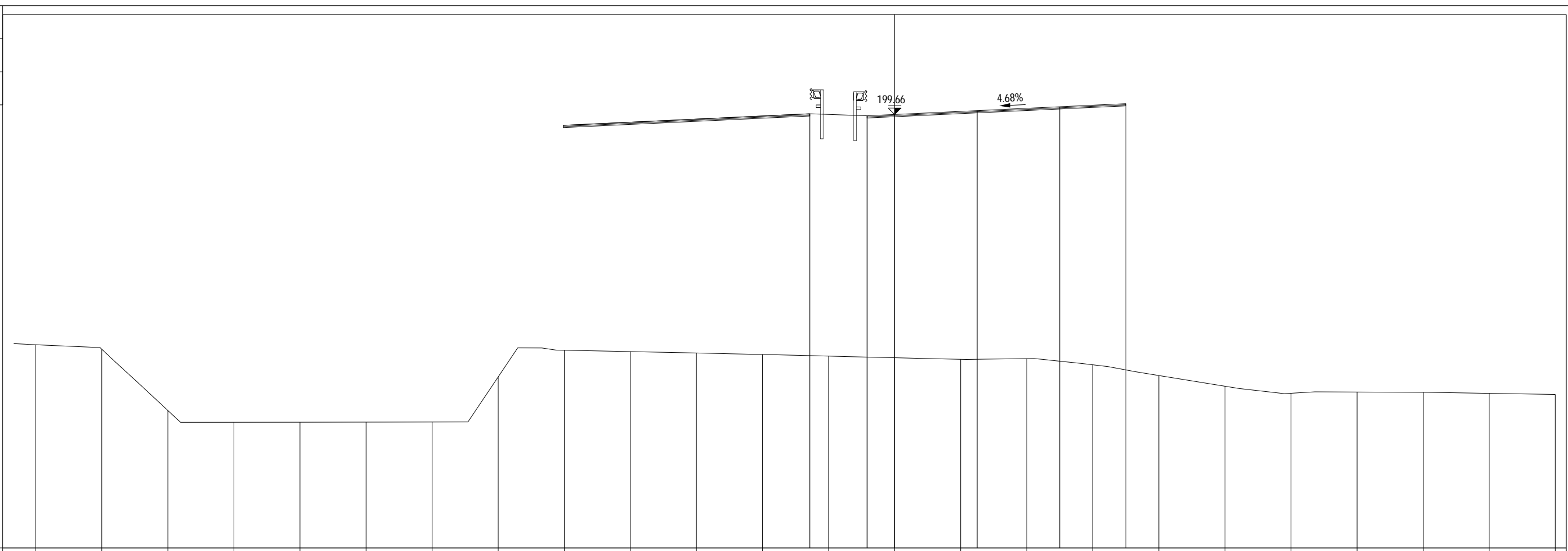
4.68%

PROFILO 2.6a\_CUNEO  
 SEZIONE 116  
 PROGRESSIVA 2225.70



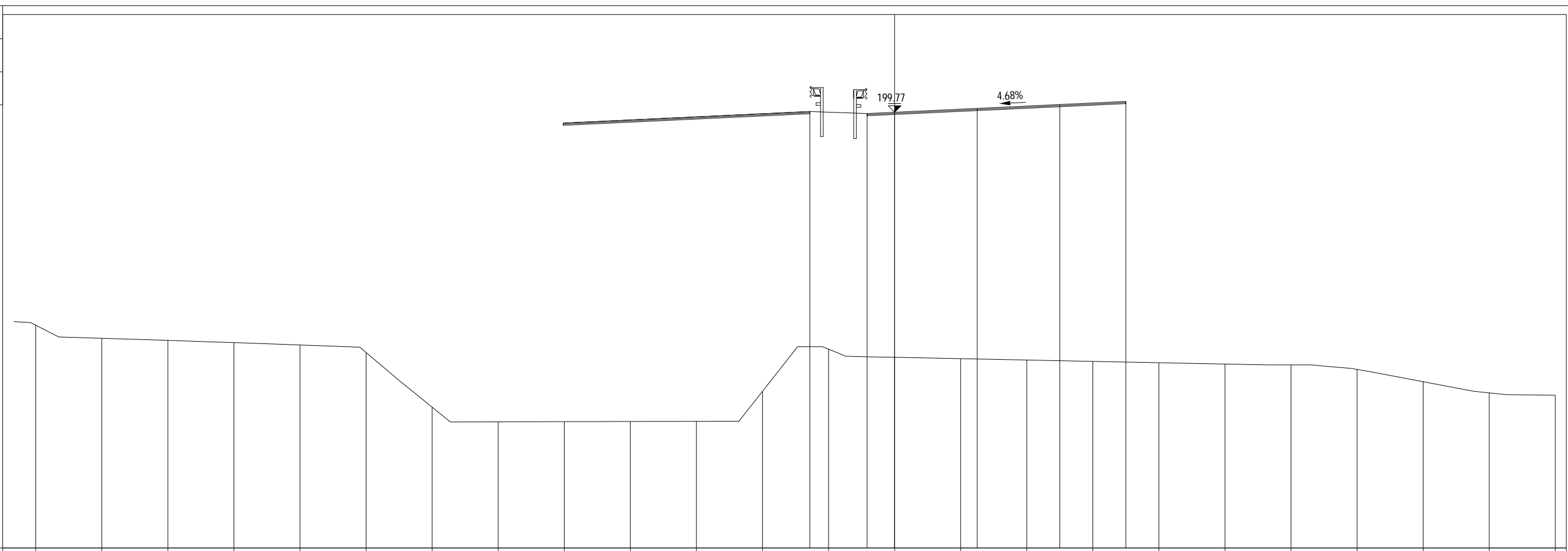
PROGRESSIVE TERRENO	-39.00	-36.00	-33.00	-30.00	-27.00	-24.00	-21.00	-18.00	-15.00	-12.00	-9.00	-6.00	-3.00	0.00	3.00	6.00	9.00	12.00	15.00	18.00	21.00	24.00	27.00	30.00	
PARZIALI TERRENO		3.00	3.00	3.00	3.00	3.00	3.00	3.00	3.00	3.00	3.00	3.00	3.00	3.00	3.00	3.00	3.00	3.00	3.00	3.00	3.00	3.00	3.00	3.00	
QUOTE TERRENO	185.70	185.70	189.52	189.09	188.99	188.97	188.95	188.93	188.91	188.82	188.24	187.57	187.12	186.73	186.73	186.74	186.74	186.74	186.74	186.75	186.75	186.74	186.74	186.73	186.71
PROGRESSIVE PROGETTO													-3.85	-1.25	0.00	3.75	7.50	10.50							
PARZIALI PROGETTO													2.60	1.25	3.75	3.75	3.00								
QUOTE PROGETTO													199.53	199.44	199.50	199.67	199.85	199.99							

PROFILO 2.6a\_CUNEO  
 SEZIONE 117  
 PROGRESSIVA 2262.45



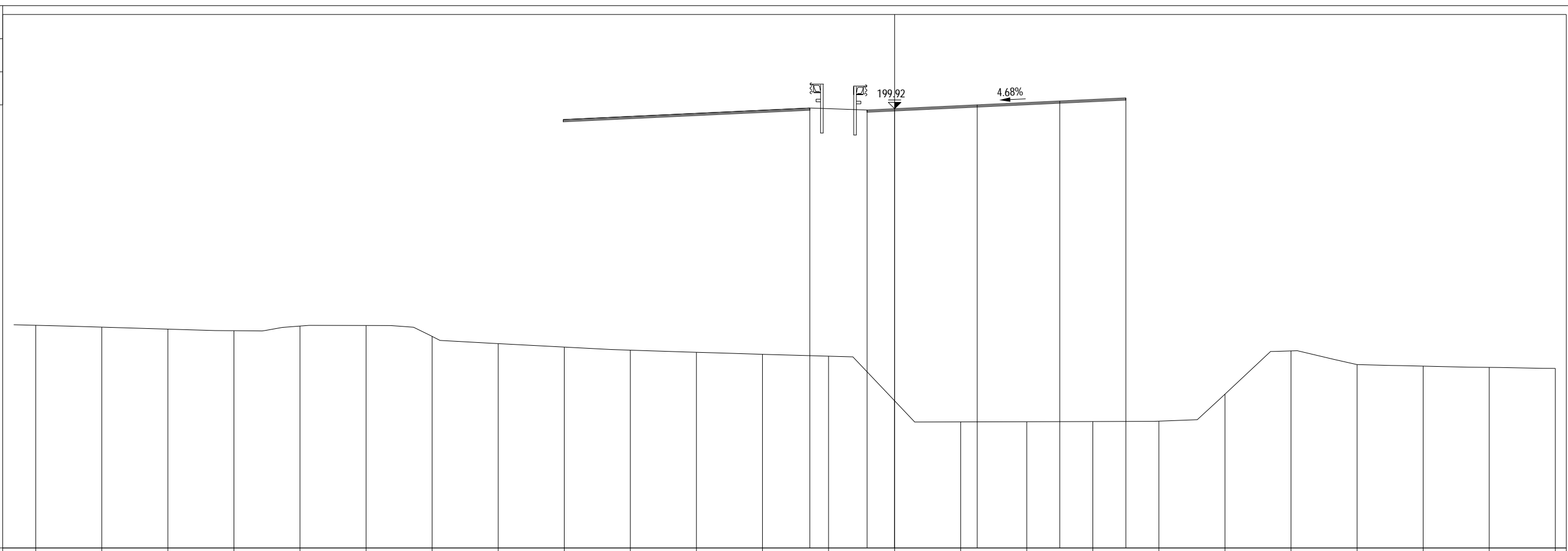
PROGRESSIVE TERRENO	-39.00	-36.00	-33.00	-30.00	-27.00	-24.00	-21.00	-18.00	-15.00	-12.00	-9.00	-6.00	-3.00	0.00	3.00	6.00	9.00	12.00	15.00	18.00	21.00	24.00	27.00	30.00
PARZIALI TERRENO		3.00	3.00	3.00	3.00	3.00	3.00	3.00	3.00	3.00	3.00	3.00	3.00	3.00	3.00	3.00	3.00	3.00	3.00	3.00	3.00	3.00	3.00	3.00
QUOTE TERRENO	189.22	189.01	186.24	185.70	185.70	185.71	185.71	187.76	188.97	188.91	188.84	188.78	188.70	188.63	188.56	188.59	188.31	187.82	187.34	187.02	187.07	187.06	187.01	186.96
PROGRESSIVE PROGETTO													-3.85	-1.25	0.00	3.75	7.50	10.50						
PARZIALI PROGETTO													2.60	1.25	3.75	3.75	3.00							
QUOTE PROGETTO													199.70	199.60	199.66	199.84	200.01	200.15						

PROFILO 2.6a\_CUNEO  
 SEZIONE 118  
 PROGRESSIVA 2287.93



PROGRESSIVE TERRENO	-39.00	-36.00	-33.00	-30.00	-27.00	-24.00	-21.00	-18.00	-15.00	-12.00	-9.00	-6.00	-3.00	0.00	3.00	6.00	9.00	12.00	15.00	18.00	21.00	24.00	27.00	30.00
PARZIALI TERRENO		3.00	3.00	3.00	3.00	3.00	3.00	3.00	3.00	3.00	3.00	3.00	3.00	3.00	3.00	3.00	3.00	3.00	3.00	3.00	3.00	3.00	3.00	3.00
QUOTE TERRENO	190.10	189.51	189.42	189.31	189.21	188.87	186.39	185.72	185.73	185.74	185.74	187.11	189.02	188.65	188.59	188.52	188.46	188.40	188.34	188.30	188.10	187.54	187.03	186.93
PROGRESSIVE PROGETTO													-3.85	-1.25	0.00	3.75	7.50	10.50						
PARZIALI PROGETTO													2.60	1.25	3.75	3.75	3.00							
QUOTE PROGETTO													199.80	199.71	199.77	199.94	200.12	200.26						

PROFILO 2.6a\_CUNEO  
 SEZIONE 119  
 PROGRESSIVA 2327.92

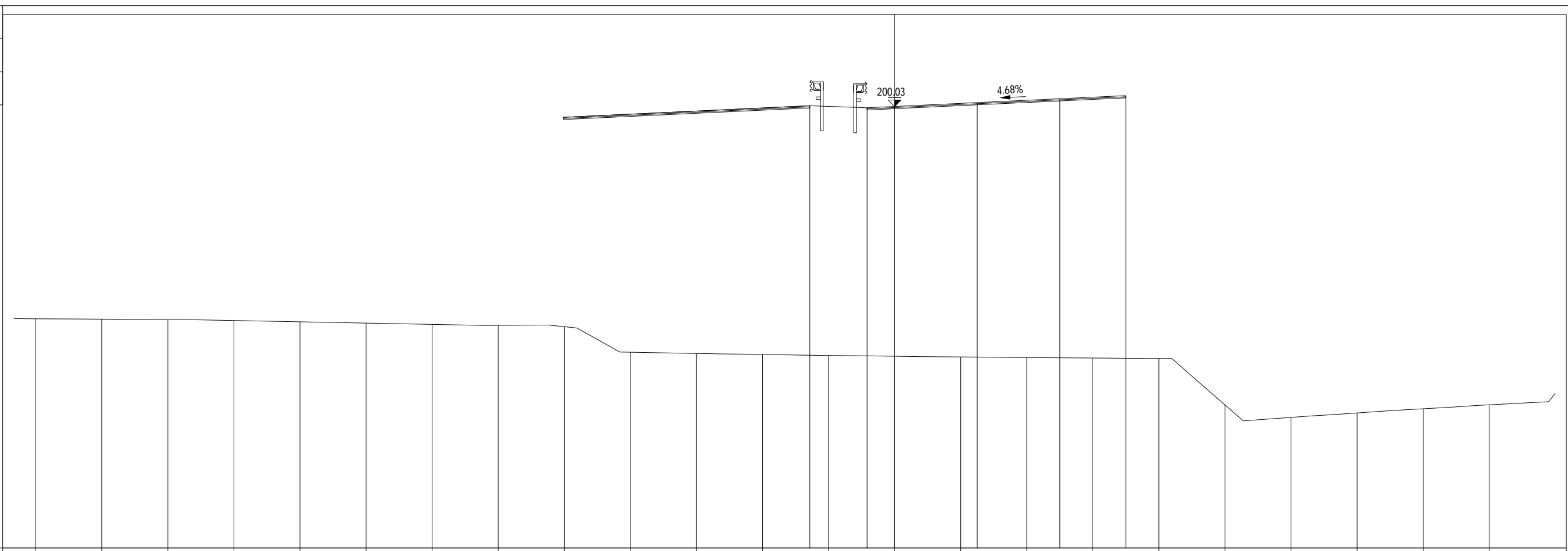


PROGRESSIVE TERRENO  
 PARZIALI TERRENO  
 QUOTE TERRENO  
 PROGRESSIVE PROGETTO  
 PARZIALI PROGETTO  
 QUOTE PROGETTO

PROGRESSIVE TERRENO	-39.00	-36.00	-33.00	-30.00	-27.00	-24.00	-21.00	-18.00	-15.00	-12.00	-9.00	-6.00	-3.00	0.00	3.00	6.00	9.00	12.00	15.00	18.00	21.00	24.00	27.00	30.00
PARZIALI TERRENO		3.00	3.00	3.00	3.00	3.00	3.00	3.00	3.00	3.00	3.00	3.00	3.00	3.00	3.00	3.00	3.00	3.00	3.00	3.00	3.00	3.00	3.00	3.00
QUOTE TERRENO	190.10	190.02	189.93	189.85	190.07	190.09	189.60	189.27	189.11	188.97	188.88	188.78	188.70	186.67	185.72	185.73	185.73	185.75	186.98	188.94	188.32	188.25	188.19	188.15
PROGRESSIVE PROGETTO													-3.85	-1.25	0.00	3.75	7.50	10.50						
PARZIALI PROGETTO													2.60	1.25	3.75	3.75	3.00							
QUOTE PROGETTO													199.96	199.87	199.92	200.10	200.28	200.42						

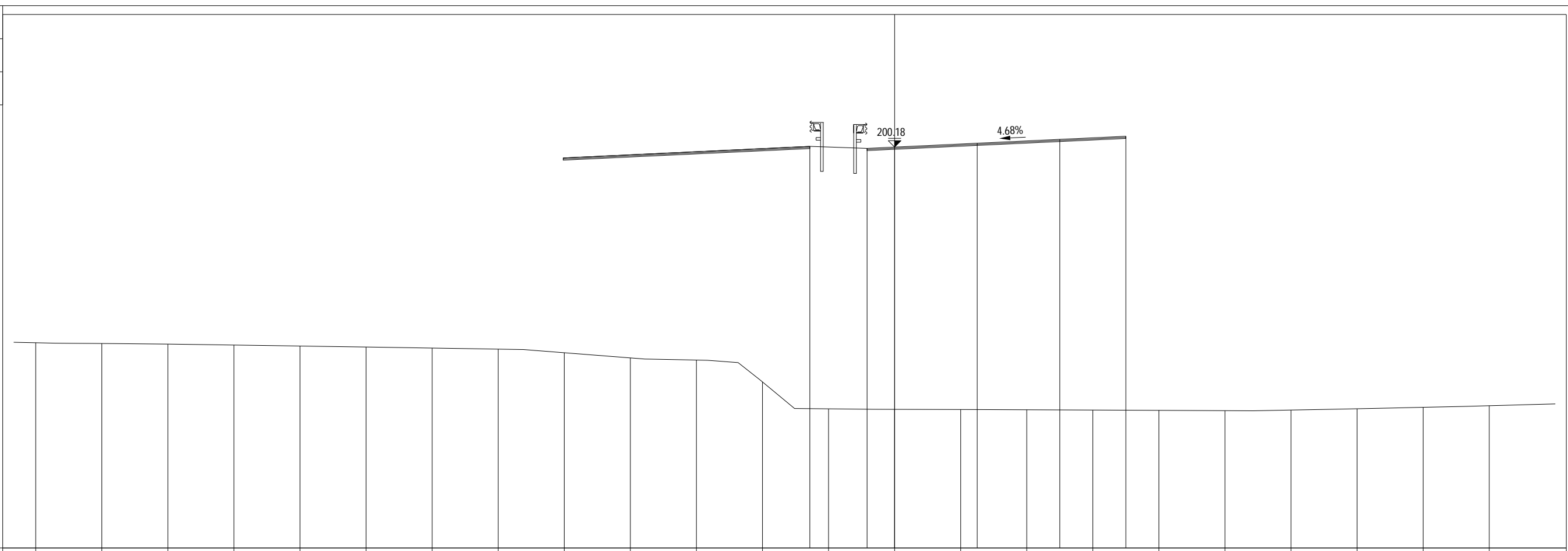


PROFILO 2.6a\_CUNEO  
 SEZIONE 120  
 PROGRESSIVA 2353.63



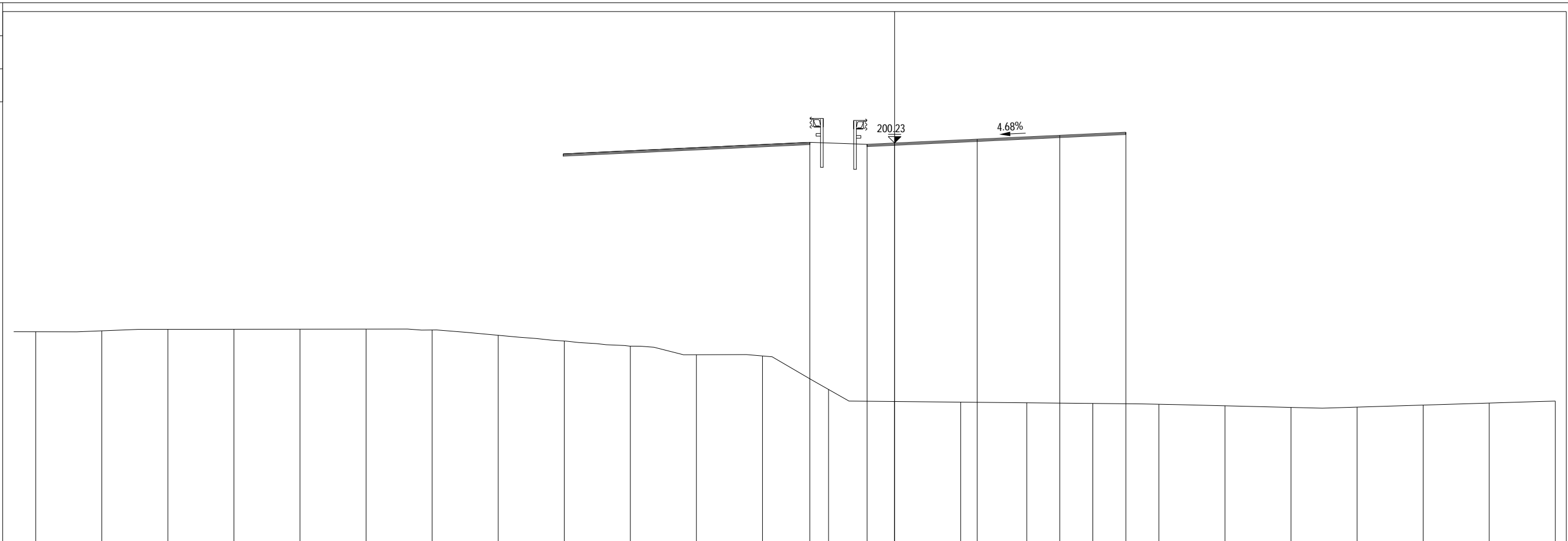
PROGRESSIVE TERRENO	-39.00	-36.00	-33.00	-30.00	-27.00	-24.00	-21.00	-18.00	-15.00	-12.00	-9.00	-6.00	-3.00	0.00	3.00	6.00	9.00	12.00	15.00	18.00	21.00	24.00	27.00
PARZIALI TERRENO		3.00	3.00	3.00	3.00	3.00	3.00	3.00	3.00	3.00	3.00	3.00	3.00	3.00	3.00	3.00	3.00	3.00	3.00	3.00	3.00	3.00	3.00
QUOTE TERRENO	190.39	190.38	190.36	190.32	190.26	190.20	190.14	190.10	190.04	188.88	188.82	188.78	188.73	188.70	188.66	188.63	188.62	188.60	186.49	185.92	186.12	186.31	186.49
PROGRESSIVE PROGETTO													-3.85	-1.25	0.00	3.75	7.50	10.50					
PARZIALI PROGETTO													2.60	1.25	3.75	3.75	3.00						
QUOTE PROGETTO													200.06	199.97	200.03	200.20	200.38	200.52					

PROFILO 2.6a\_CUNEO  
 SEZIONE 121  
 PROGRESSIVA 2393.02



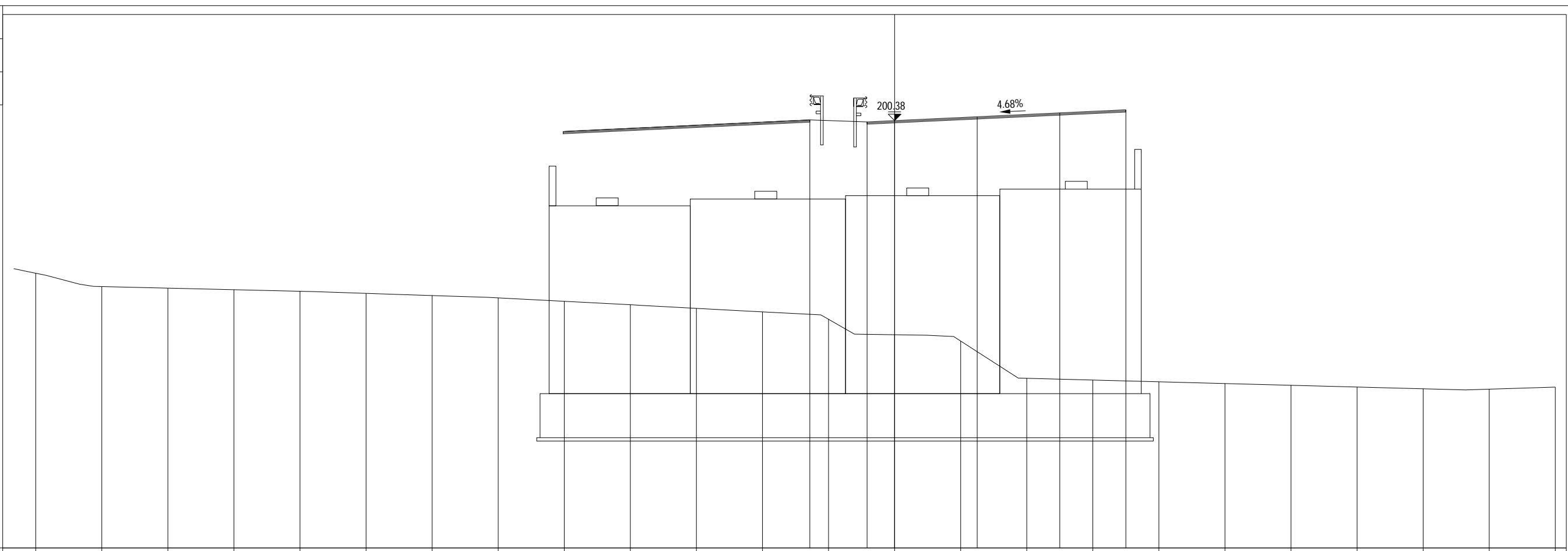
PROGRESSIVE TERRENO	-39.00	-36.00	-33.00	-30.00	-27.00	-24.00	-21.00	-18.00	-15.00	-12.00	-9.00	-6.00	-3.00	0.00	3.00	6.00	9.00	12.00	15.00	18.00	21.00	24.00	27.00
PARZIALI TERRENO		3.00	3.00	3.00	3.00	3.00	3.00	3.00	3.00	3.00	3.00	3.00	3.00	3.00	3.00	3.00	3.00	3.00	3.00	3.00	3.00	3.00	3.00
QUOTE TERRENO	191.31	191.28	191.25	191.20	191.16	191.11	191.07	191.02	190.86	190.62	190.52	189.53	188.31	188.29	188.28	188.27	188.26	188.24	188.23	188.26	188.31	188.38	188.45
PROGRESSIVE PROGETTO													-3.85	-1.25	0.00	3.75	7.50	10.50					
PARZIALI PROGETTO													2.60	1.25	3.75	3.75	3.00						
QUOTE PROGETTO													200.22	200.13	200.18	200.36	200.54	200.68					

PROFILO 2.6a\_CUNEO  
 SEZIONE 122  
 PROGRESSIVA 2403.71



PROGRESSIVE TERRENO	-39.00	-36.00	-33.00	-30.00	-27.00	-24.00	-21.00	-18.00	-15.00	-12.00	-9.00	-6.00	-3.00	0.00	3.00	6.00	9.00	12.00	15.00	18.00	21.00	24.00	27.00	30.00
PARZIALI TERRENO		3.00	3.00	3.00	3.00	3.00	3.00	3.00	3.00	3.00	3.00	3.00	3.00	3.00	3.00	3.00	3.00	3.00	3.00	3.00	3.00	3.00	3.00	3.00
QUOTE TERRENO	191.66	191.70	191.77	191.77	191.77	191.78	191.74	191.50	191.24	191.00	190.61	190.56	189.04	188.49	188.46	188.43	188.40	188.36	188.29	188.22	188.23	188.33	188.42	188.51
PROGRESSIVE PROGETTO													-3.85	-1.25	0.00	3.75	7.50	10.50						
PARZIALI PROGETTO													2.60	1.25	3.75	3.75	3.00							
QUOTE PROGETTO													200.26	200.17	200.23	200.40	200.58	200.72						

PROFILO 2.6a\_CUNEO  
 SEZIONE 123  
 PROGRESSIVA 2443.10



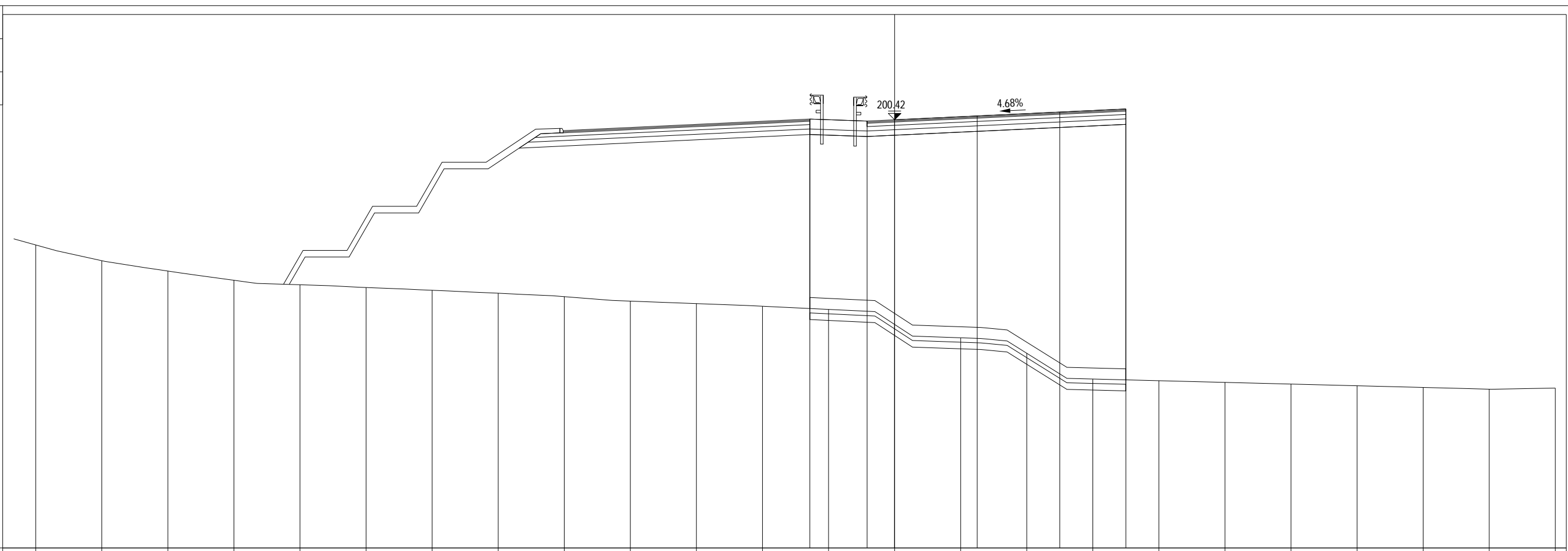
PROGRESSIVE TERRENO	-39.00	-36.00	-33.00	-30.00	-27.00	-24.00	-21.00	-18.00	-15.00	-12.00	-9.00	-6.00	-3.00	0.00	3.00	6.00	9.00	12.00	15.00	18.00	21.00	24.00	27.00	30.00
PARZIALI TERRENO		3.00	3.00	3.00	3.00	3.00	3.00	3.00	3.00	3.00	3.00	3.00	3.00	3.00	3.00	3.00	3.00	3.00	3.00	3.00	3.00	3.00	3.00	3.00
QUOTE TERRENO	193.46	192.86	192.79	192.71	192.64	192.55	192.45	192.34	192.19	192.03	191.87	191.71	191.37	190.67	190.39	188.70	188.62	188.54	188.46	188.38	188.30	188.22	188.20	188.30
PROGRESSIVE PROGETTO													-3.85	-1.25	0.00	3.75	7.50	10.50						
PARZIALI PROGETTO													2.60	1.25	3.75	3.75	3.00							
QUOTE PROGETTO													200.42	200.33	200.38	200.56	200.74	200.88						

PROFILO 2.6a\_CUNEO

SEZIONE 124

PROGRESSIVA 2452.72

A RILEVATO	m <sup>2</sup>	249.39
AN ANTICAPILLARE	m <sup>2</sup>	14.93
C BINDER	m <sup>2</sup>	0.58
D BASE	m <sup>2</sup>	1.92
MC MISTO CEMENTATO	m <sup>2</sup>	3.77
MS MISTO STABILIZZATO	m <sup>2</sup>	3.99
VR VEGETALE RIL	m <sup>2</sup>	6.46
a USURA	m	11.76
br BONIFICA	m	30.65
sc SCOTICO	m	30.65
tn TNT	m	29.84



181  
200

PROGRESSIVE TERRENO

-39.00	-36.00	-33.00	-30.00	-27.00	-24.00	-21.00	-18.00	-15.00	-12.00	-9.00	-6.00	-3.00	0.00	3.00	6.00	9.00	12.00	15.00	18.00	21.00	24.00	27.00	30.00
--------	--------	--------	--------	--------	--------	--------	--------	--------	--------	-------	-------	-------	------	------	------	------	-------	-------	-------	-------	-------	-------	-------

PARZIALI TERRENO

3.00	3.00	3.00	3.00	3.00	3.00	3.00	3.00	3.00	3.00	3.00	3.00	3.00	3.00	3.00	3.00	3.00	3.00	3.00	3.00	3.00	3.00	3.00	3.00
------	------	------	------	------	------	------	------	------	------	------	------	------	------	------	------	------	------	------	------	------	------	------	------

QUOTE TERRENO

194.75	194.03	193.56	193.14	192.94	192.81	192.69	192.56	192.40	192.20	192.08	191.96	191.82	191.14	190.53	189.83	188.66	188.59	188.51	188.43	188.36	188.28	188.20	188.25
--------	--------	--------	--------	--------	--------	--------	--------	--------	--------	--------	--------	--------	--------	--------	--------	--------	--------	--------	--------	--------	--------	--------	--------

PROGRESSIVE PROGETTO

												-3.85	-1.25	0.00	3.75	7.50	10.50						
--	--	--	--	--	--	--	--	--	--	--	--	-------	-------	------	------	------	-------	--	--	--	--	--	--

PARZIALI PROGETTO

												2.60	1.25	3.75	3.75	3.00							
--	--	--	--	--	--	--	--	--	--	--	--	------	------	------	------	------	--	--	--	--	--	--	--

QUOTE PROGETTO

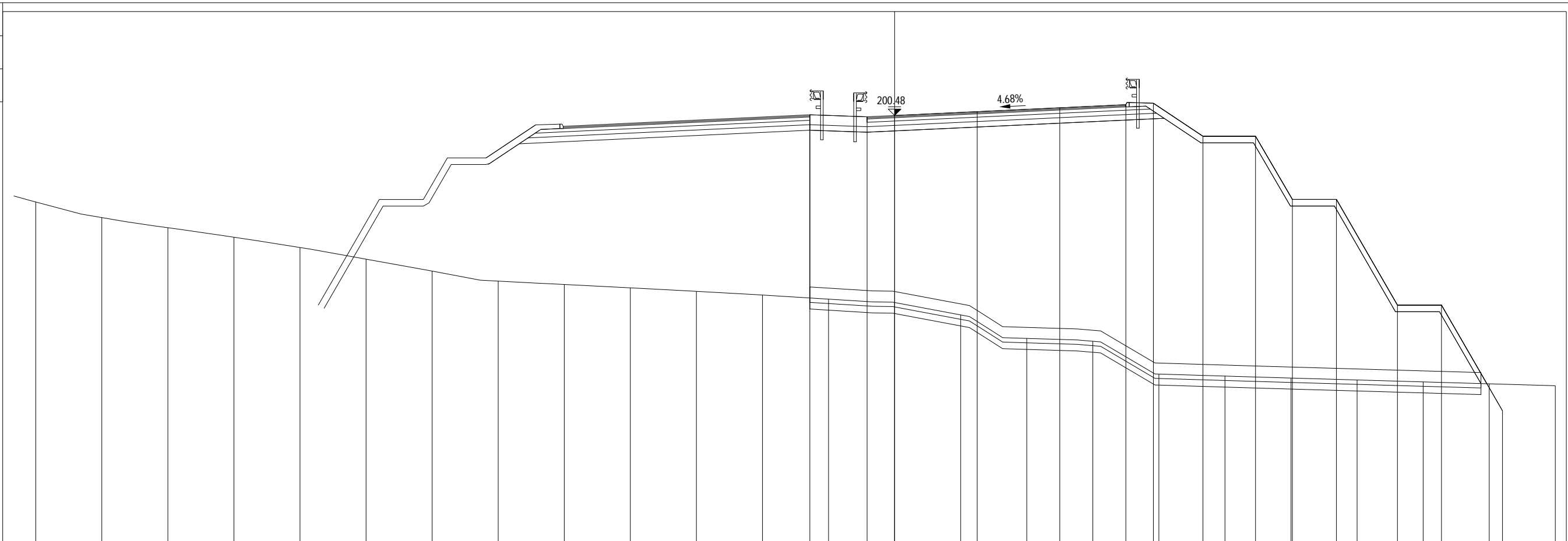
												200.46	200.36	200.42	200.60	200.77	200.91						
--	--	--	--	--	--	--	--	--	--	--	--	--------	--------	--------	--------	--------	--------	--	--	--	--	--	--

PROFILO 2.6a\_CUNEO

SEZIONE 125

PROGRESSIVA 2466.60

A RILEVATO	m <sup>2</sup>	237.31
AN ANTICAPILLARE	m <sup>2</sup>	14.89
C BINDER	m <sup>2</sup>	0.59
D BASE	m <sup>2</sup>	1.91
MC MISTO CEMENTATO	m <sup>2</sup>	3.78
MS MISTO STABILIZZATO	m <sup>2</sup>	3.99
VR VEGETALE RIL	m <sup>2</sup>	6.45
a USURA	m	11.76
br BONIFICA	m	30.57
sc SCOTICO	m	30.57
tn TNT	m	29.82



PROGRESSIVE TERRENO

-39.00	-36.00	-33.00	-30.00	-27.00	-24.00	-21.00	-18.00	-15.00	-12.00	-9.00	-6.00	-3.00	0.00	3.00	6.00	9.00	12.00	15.00	18.00	21.00	24.00	27.00	30.00
--------	--------	--------	--------	--------	--------	--------	--------	--------	--------	-------	-------	-------	------	------	------	------	-------	-------	-------	-------	-------	-------	-------

PARZIALI TERRENO

3.00	3.00	3.00	3.00	3.00	3.00	3.00	3.00	3.00	3.00	3.00	3.00	3.00	3.00	3.00	3.00	3.00	3.00	3.00	3.00	3.00	3.00	3.00	3.00
------	------	------	------	------	------	------	------	------	------	------	------	------	------	------	------	------	------	------	------	------	------	------	------

QUOTE TERRENO

196.55	195.84	195.38	194.95	194.48	193.95	193.41	192.96	192.80	192.65	192.49	192.32	192.14	191.98	191.42	190.35	190.22	188.73	188.64	188.55	188.47	188.38	188.29	188.20
--------	--------	--------	--------	--------	--------	--------	--------	--------	--------	--------	--------	--------	--------	--------	--------	--------	--------	--------	--------	--------	--------	--------	--------

PROGRESSIVE PROGETTO

												-3.85	-1.25	0.00	3.75	7.50	10.50	11.75	14.00	16.39	18.06	20.06	22.83	24.83	27.60
--	--	--	--	--	--	--	--	--	--	--	--	-------	-------	------	------	------	-------	-------	-------	-------	-------	-------	-------	-------	-------

PARZIALI PROGETTO

												2.60	1.25	3.75	3.75	3.00	1.25	2.25	2.39	1.67	2.00	2.77	2.00	2.77	
--	--	--	--	--	--	--	--	--	--	--	--	------	------	------	------	------	------	------	------	------	------	------	------	------	--

QUOTE PROGETTO

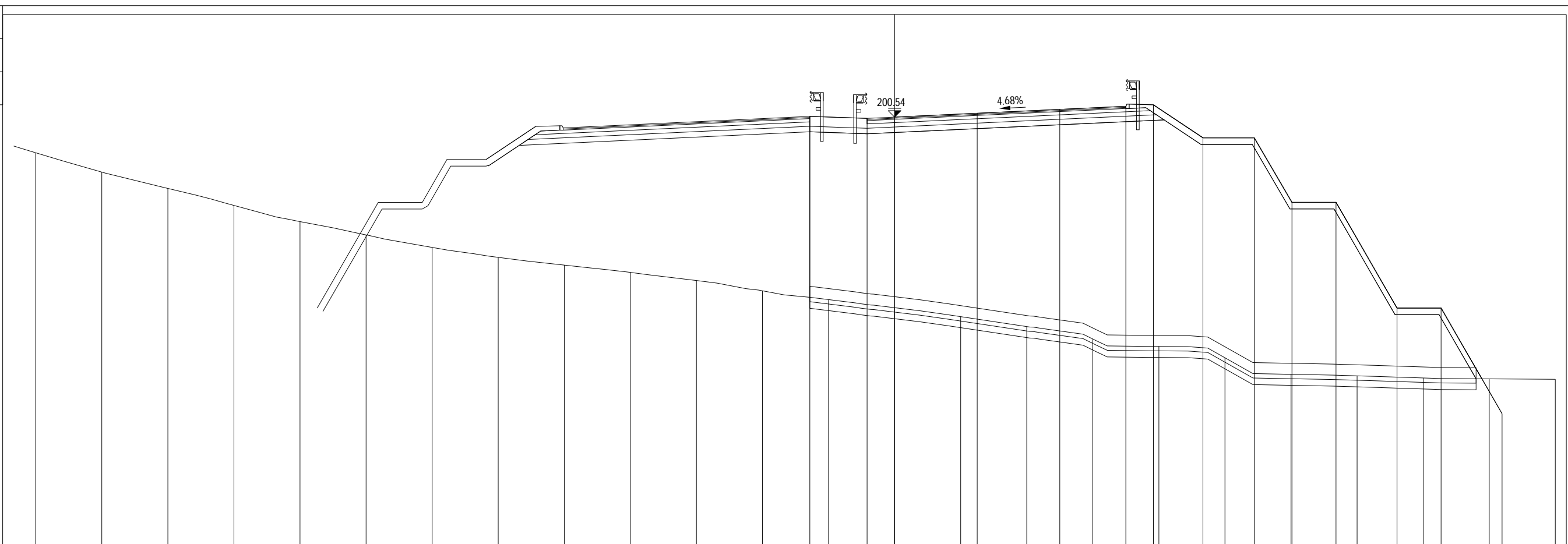
												200.51	200.42	200.48	200.65	200.83	200.97	201.04	199.54	199.54	196.67	196.67	191.87	191.87	187.07
--	--	--	--	--	--	--	--	--	--	--	--	--------	--------	--------	--------	--------	--------	--------	--------	--------	--------	--------	--------	--------	--------

PROFILO 2.6a\_CUNEO

SEZIONE 126

PROGRESSIVA 2481.66

A RILEVATO	m <sup>2</sup>	226.11
AN ANTICAPILLARE	m <sup>2</sup>	14.83
C BINDER	m <sup>2</sup>	0.58
D BASE	m <sup>2</sup>	1.92
MC MISTO CEMENTATO	m <sup>2</sup>	3.79
MS MISTO STABILIZZATO	m <sup>2</sup>	3.99
VR VEGETALE RIL	m <sup>2</sup>	6.36
a USURA	m	11.76
br BONIFICA	m	30.19
sc SCOTICO	m	30.19
tn TNT	m	29.66



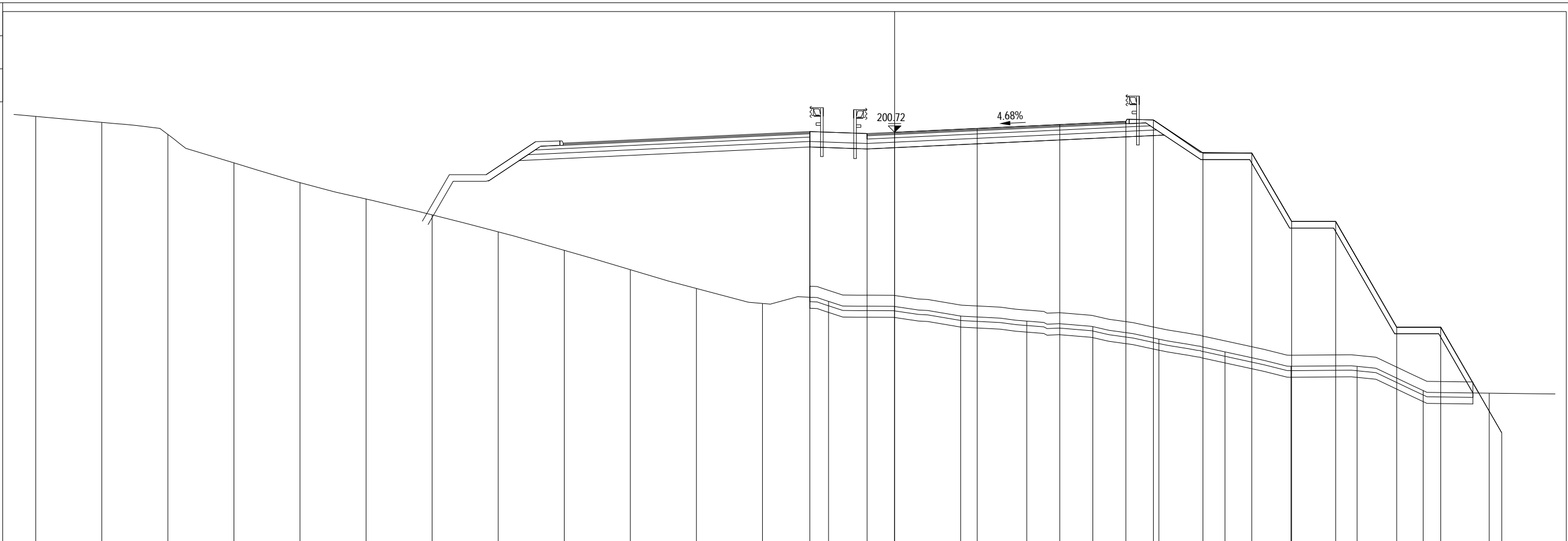
PROGRESSIVE TERRENO	-39.00	-36.00	-33.00	-30.00	-27.00	-24.00	-21.00	-18.00	-15.00	-12.00	-9.00	-6.00	-3.00	0.00	3.00	6.00	9.00	12.00	15.00	18.00	21.00	24.00	27.00	30.00		
PARZIALI TERRENO		3.00	3.00	3.00	3.00	3.00	3.00	3.00	3.00	3.00	3.00	3.00	3.00	3.00	3.00	3.00	3.00	3.00	3.00	3.00	3.00	3.00	3.00	3.00		
QUOTE TERRENO	198.92	198.04	197.30	196.53	195.79	195.19	194.62	194.17	193.82	193.49	193.12	192.65	192.25	191.88	191.48	191.03	190.46	190.12	189.61	188.86	188.79	188.69	188.65	188.63		
PROGRESSIVE PROGETTO													-3.85	-1.25	0.00	3.75	7.50	10.50	11.75	14.00	16.33	18.04	20.04	22.81	24.81	27.58
PARZIALI PROGETTO													2.60	1.25	3.75	3.75	3.00	1.25	2.25	2.33	1.71	2.00	2.77	2.00	2.77	
QUOTE PROGETTO													200.57	200.48	200.54	200.72	200.89	201.03	201.10	199.60	199.60	196.67	196.67	191.87	191.87	187.07

PROFILO 2.6a\_CUNEO

SEZIONE 127

PROGRESSIVA 2506.75

A RILEVATO	m <sup>2</sup>	200.60
AN ANTICAPILLARE	m <sup>2</sup>	14.81
C BINDER	m <sup>2</sup>	0.59
D BASE	m <sup>2</sup>	1.92
MC MISTO CEMENTATO	m <sup>2</sup>	3.77
MS MISTO STABILIZZATO	m <sup>2</sup>	4.00
VR VEGETALE RIL	m <sup>2</sup>	6.19
a USURA	m	11.76
br BONIFICA	m	30.17
sc SCOTICO	m	30.17
tn TNT	m	29.63



PROGRESSIVE TERRENO

-39.00	-36.00	-33.00	-30.00	-27.00	-24.00	-21.00	-18.00	-15.00	-12.00	-9.00	-6.00	-3.00	0.00	3.00	6.00	9.00	12.00	15.00	18.00	21.00	24.00	27.00
--------	--------	--------	--------	--------	--------	--------	--------	--------	--------	-------	-------	-------	------	------	------	------	-------	-------	-------	-------	-------	-------

PARZIALI TERRENO

3.00	3.00	3.00	3.00	3.00	3.00	3.00	3.00	3.00	3.00	3.00	3.00	3.00	3.00	3.00	3.00	3.00	3.00	3.00	3.00	3.00	3.00	3.00
------	------	------	------	------	------	------	------	------	------	------	------	------	------	------	------	------	------	------	------	------	------	------

QUOTE TERRENO

201.44	201.17	200.62	199.33	198.43	197.69	196.97	196.19	195.35	194.48	193.62	192.94	193.04	192.80	192.37	192.14	191.89	191.32	190.74	190.09	190.08	188.98	188.87
--------	--------	--------	--------	--------	--------	--------	--------	--------	--------	--------	--------	--------	--------	--------	--------	--------	--------	--------	--------	--------	--------	--------

PROGRESSIVE PROGETTO

												-3.85	-1.25	0.00	3.75	7.50	10.50	11.75	14.00	16.22	18.03	20.03	22.80	24.80	27.57
--	--	--	--	--	--	--	--	--	--	--	--	-------	-------	------	------	------	-------	-------	-------	-------	-------	-------	-------	-------	-------

PARZIALI PROGETTO

												2.60	1.25	3.75	3.75	3.00	1.25	2.25	2.22	1.81	2.00	2.77	2.00	2.77
--	--	--	--	--	--	--	--	--	--	--	--	------	------	------	------	------	------	------	------	------	------	------	------	------

QUOTE PROGETTO

												200.75	200.66	200.72	200.89	201.07	201.21	201.28	199.78	199.78	196.67	196.67	191.87	191.87	187.07
--	--	--	--	--	--	--	--	--	--	--	--	--------	--------	--------	--------	--------	--------	--------	--------	--------	--------	--------	--------	--------	--------

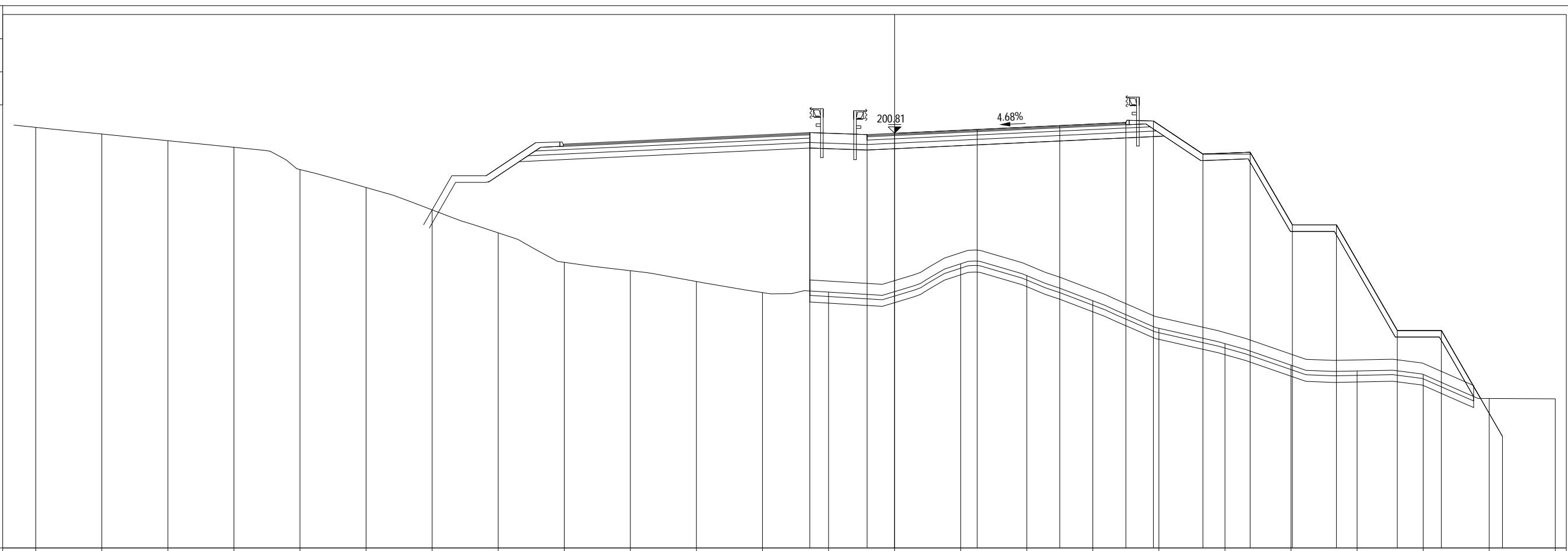


PROFILO 2.6a\_CUNEO

SEZIONE 128

PROGRESSIVA 2515.66

A RILEVATO	m <sup>2</sup>	175.26
AN ANTICAPILLARE	m <sup>2</sup>	14.81
C BINDER	m <sup>2</sup>	0.59
D BASE	m <sup>2</sup>	1.92
MC MISTO CEMENTATO	m <sup>2</sup>	3.77
MS MISTO STABILIZZATO	m <sup>2</sup>	4.00
VR VEGETALE RIL	m <sup>2</sup>	6.28
a USURA	m	11.76
br BONIFICA	m	30.89
sc SCOTICO	m	30.89
tn TNT	m	29.55



PROGRESSIVE TERRENO

-39.00	-36.00	-33.00	-30.00	-27.00	-24.00	-21.00	-18.00	-15.00	-12.00	-9.00	-6.00	-3.00	0.00	3.00	6.00	9.00	12.00	15.00	18.00	21.00	24.00	27.00	30.00
--------	--------	--------	--------	--------	--------	--------	--------	--------	--------	-------	-------	-------	------	------	------	------	-------	-------	-------	-------	-------	-------	-------

PARZIALI TERRENO

3.00	3.00	3.00	3.00	3.00	3.00	3.00	3.00	3.00	3.00	3.00	3.00	3.00	3.00	3.00	3.00	3.00	3.00	3.00	3.00	3.00	3.00	3.00	3.00
------	------	------	------	------	------	------	------	------	------	------	------	------	------	------	------	------	------	------	------	------	------	------	------

QUOTE TERRENO

201.08	200.78	200.47	200.18	199.17	198.35	197.34	196.29	194.96	194.58	194.09	193.58	193.61	193.63	194.89	194.35	193.21	191.96	191.27	190.29	190.03	189.87	188.78	188.76
--------	--------	--------	--------	--------	--------	--------	--------	--------	--------	--------	--------	--------	--------	--------	--------	--------	--------	--------	--------	--------	--------	--------	--------

PROGRESSIVE PROGETTO

												-3.85	-1.25	0.00	3.75	7.50	10.50	11.75	14.00	16.14	18.06	20.06	22.83	24.83	27.60
--	--	--	--	--	--	--	--	--	--	--	--	-------	-------	------	------	------	-------	-------	-------	-------	-------	-------	-------	-------	-------

PARZIALI PROGETTO

												2.60	1.25	3.75	3.75	3.00	1.25	2.25	2.14	1.92	2.00	2.77	2.00	2.77
--	--	--	--	--	--	--	--	--	--	--	--	------	------	------	------	------	------	------	------	------	------	------	------	------

QUOTE PROGETTO

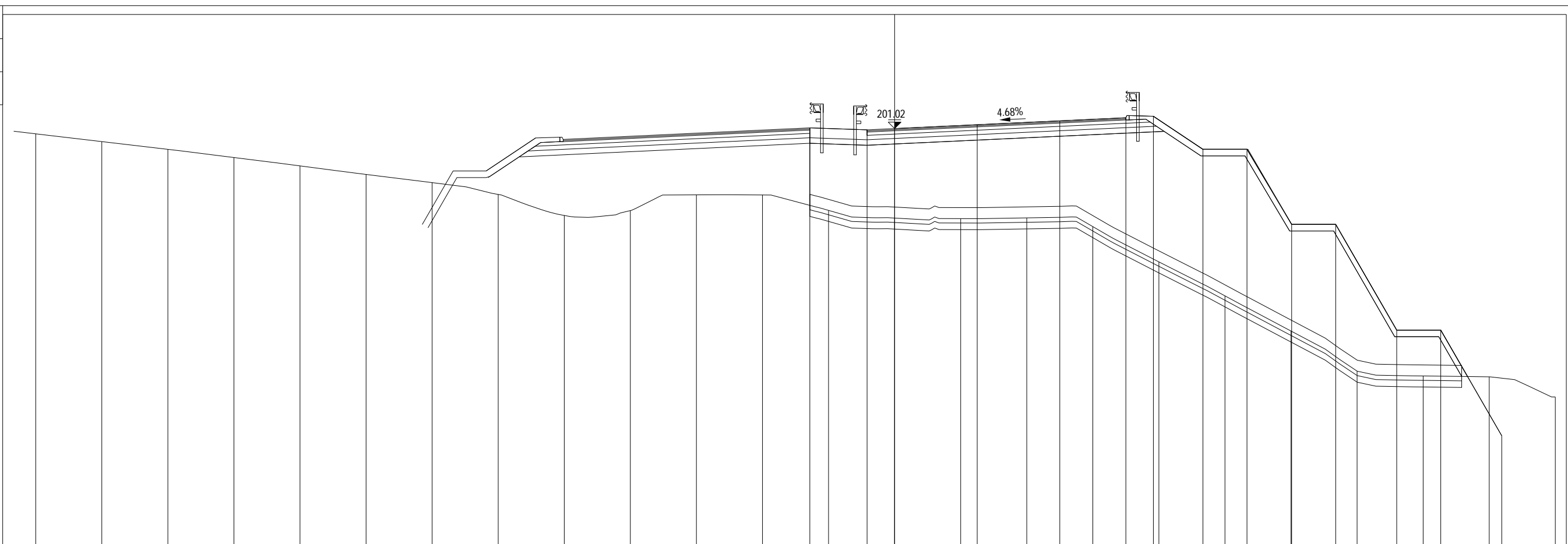
												200.84	200.75	200.81	200.99	201.16	201.30	201.37	199.87	199.95	196.66	196.66	191.87	191.87	187.06
--	--	--	--	--	--	--	--	--	--	--	--	--------	--------	--------	--------	--------	--------	--------	--------	--------	--------	--------	--------	--------	--------

PROFILO 2.6a\_CUNEO

SEZIONE 129

PROGRESSIVA 2531.84

A RILEVATO	m <sup>2</sup>	118.42
AN ANTICAPILLARE	m <sup>2</sup>	14.67
C BINDER	m <sup>2</sup>	0.58
D BASE	m <sup>2</sup>	1.92
MC MISTO CEMENTATO	m <sup>2</sup>	3.77
MS MISTO STABILIZZATO	m <sup>2</sup>	3.99
VR VEGETALE RIL	m <sup>2</sup>	6.06
a USURA	m	11.76
br BONIFICA	m	31.25
sc SCOTICO	m	31.25
tn TNT	m	29.30



PROGRESSIVE TERRENO

-39.00	-36.00	-33.00	-30.00	-27.00	-24.00	-21.00	-18.00	-15.00	-12.00	-9.00	-6.00	-3.00	0.00	3.00	6.00	9.00	12.00	15.00	18.00	21.00	24.00	27.00	30.00
--------	--------	--------	--------	--------	--------	--------	--------	--------	--------	-------	-------	-------	------	------	------	------	-------	-------	-------	-------	-------	-------	-------

PARZIALI TERRENO

3.00	3.00	3.00	3.00	3.00	3.00	3.00	3.00	3.00	3.00	3.00	3.00	3.00	3.00	3.00	3.00	3.00	3.00	3.00	3.00	3.00	3.00	3.00	3.00
------	------	------	------	------	------	------	------	------	------	------	------	------	------	------	------	------	------	------	------	------	------	------	------

QUOTE TERRENO

200.78	200.43	200.08	199.70	199.32	198.94	198.56	198.03	197.07	197.29	198.01	198.00	197.30	196.95	196.93	196.96	196.57	194.96	193.42	191.82	190.00	189.78	189.74	188.83
--------	--------	--------	--------	--------	--------	--------	--------	--------	--------	--------	--------	--------	--------	--------	--------	--------	--------	--------	--------	--------	--------	--------	--------

PROGRESSIVE PROGETTO

												-3.85	-1.25	0.00	3.75	7.50	10.50	11.75	14.00	16.00	18.03	20.03	22.80	24.80	27.57
--	--	--	--	--	--	--	--	--	--	--	--	-------	-------	------	------	------	-------	-------	-------	-------	-------	-------	-------	-------	-------

PARZIALI PROGETTO

												2.60	1.25	3.75	3.75	3.00	1.25	2.25	2.00	2.03	2.00	2.77	2.00	2.77	
--	--	--	--	--	--	--	--	--	--	--	--	------	------	------	------	------	------	------	------	------	------	------	------	------	--

QUOTE PROGETTO

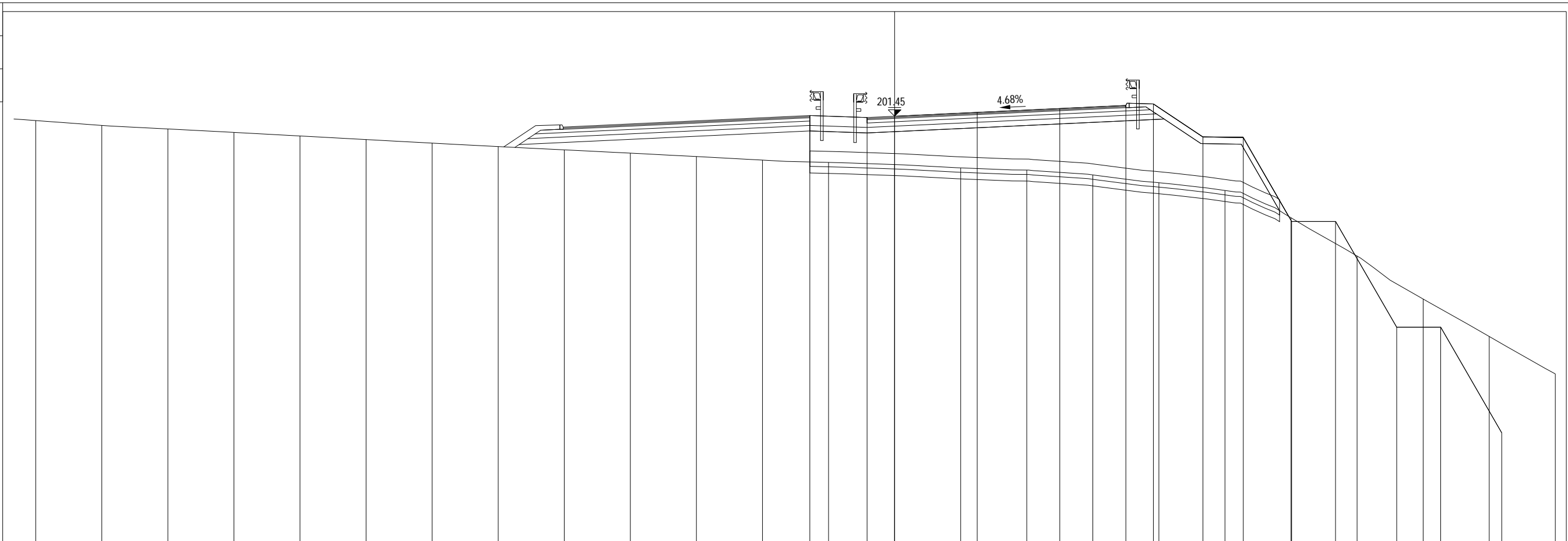
												201.05	200.96	201.02	201.19	201.37	201.51	201.58	200.08	200.08	196.67	196.67	191.87	191.87	187.07
--	--	--	--	--	--	--	--	--	--	--	--	--------	--------	--------	--------	--------	--------	--------	--------	--------	--------	--------	--------	--------	--------

PROFILO 2.6a\_CUNEO

SEZIONE 130

PROGRESSIVA 2556.93

A RILEVATO	m <sup>2</sup>	41.81
AN ANTICAPILLARE	m <sup>2</sup>	10.73
C BINDER	m <sup>2</sup>	0.59
D BASE	m <sup>2</sup>	1.91
MC MISTO CEMENTATO	m <sup>2</sup>	3.78
MS MISTO STABILIZZATO	m <sup>2</sup>	3.98
VR VEGETALE RIL	m <sup>2</sup>	2.75
a USURA	m	11.76
br BONIFICA	m	21.72
sc SCOTICO	m	21.72
tn TNT	m	21.46



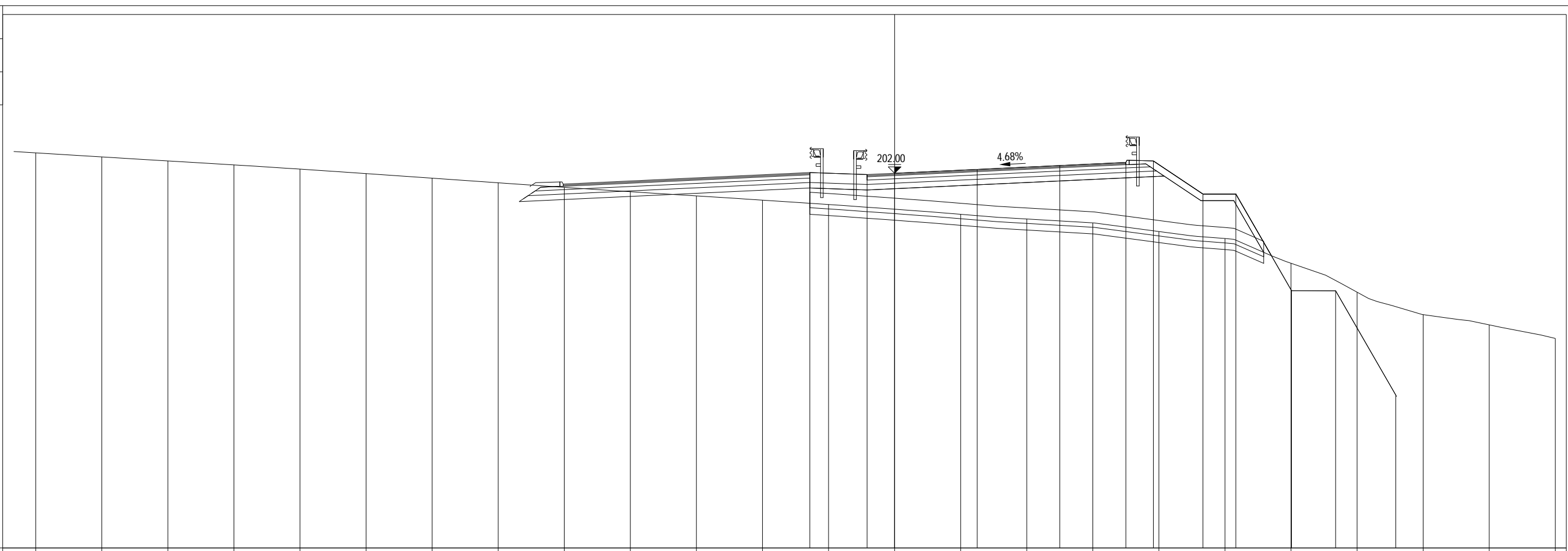
PROGRESSIVE TERRENO	-39.00	-36.00	-33.00	-30.00	-27.00	-24.00	-21.00	-18.00	-15.00	-12.00	-9.00	-6.00	-3.00	0.00	3.00	6.00	9.00	12.00	15.00	18.00	21.00	24.00	27.00	30.00		
PARZIALI TERRENO		3.00	3.00	3.00	3.00	3.00	3.00	3.00	3.00	3.00	3.00	3.00	3.00	3.00	3.00	3.00	3.00	3.00	3.00	3.00	3.00	3.00	3.00	3.00		
QUOTE TERRENO	201.25	201.03	200.87	200.71	200.55	200.39	200.22	200.07	199.92	199.77	199.62	199.45	199.35	199.25	199.10	199.00	198.78	198.43	198.07	196.83	195.10	193.14	191.44	189.74		
PROGRESSIVE PROGETTO													-3.85	-1.25	0.00	3.75	7.50	10.50	11.75	14.00	15.83	18.03	20.02	22.80	24.80	27.57
PARZIALI PROGETTO													2.60	1.25	3.75	3.75	3.00	1.25	2.25	1.83	2.20	1.99	2.78	2.00	2.77	
QUOTE PROGETTO													201.48	201.39	201.45	201.62	201.80	201.94	202.00	200.50	200.47	196.66	196.66	191.86	191.86	187.06

PROFILO 2.6a\_CUNEO

SEZIONE 131

PROGRESSIVA 2582.02

A RILEVATO	m <sup>2</sup>	32.16
AN ANTICAPILLARE	m <sup>2</sup>	10.57
C BINDER	m <sup>2</sup>	0.59
D BASE	m <sup>2</sup>	1.92
MC MISTO CEMENTATO	m <sup>2</sup>	3.77
MS MISTO STABILIZZATO	m <sup>2</sup>	4.00
VR VEGETALE RIL	m <sup>2</sup>	2.44
a USURA	m	11.76
br BONIFICA	m	21.35
sc SCOTICO	m	21.35
tn TNT	m	21.13



PROGRESSIVE TERRENO

-39.00	-36.00	-33.00	-30.00	-27.00	-24.00	-21.00	-18.00	-15.00	-12.00	-9.00	-6.00	-3.00	0.00	3.00	6.00	9.00	12.00	15.00	18.00	21.00	24.00	27.00	30.00
--------	--------	--------	--------	--------	--------	--------	--------	--------	--------	-------	-------	-------	------	------	------	------	-------	-------	-------	-------	-------	-------	-------

PARZIALI TERRENO

3.00	3.00	3.00	3.00	3.00	3.00	3.00	3.00	3.00	3.00	3.00	3.00	3.00	3.00	3.00	3.00	3.00	3.00	3.00	3.00	3.00	3.00	3.00	3.00
------	------	------	------	------	------	------	------	------	------	------	------	------	------	------	------	------	------	------	------	------	------	------	------

QUOTE TERRENO

202.92	202.74	202.56	202.38	202.19	201.98	201.77	201.56	201.36	201.16	200.97	200.78	200.58	200.37	200.14	199.92	199.75	199.35	199.04	197.91	196.60	195.58	195.12	194.50
--------	--------	--------	--------	--------	--------	--------	--------	--------	--------	--------	--------	--------	--------	--------	--------	--------	--------	--------	--------	--------	--------	--------	--------

PROGRESSIVE PROGETTO

												-3.85	-1.25	0.00	3.75	7.50	10.50	11.75	14.00	15.49	18.02	20.03	22.76
--	--	--	--	--	--	--	--	--	--	--	--	-------	-------	------	------	------	-------	-------	-------	-------	-------	-------	-------

PARZIALI PROGETTO

												2.60	1.25	3.75	3.75	3.00	1.25	2.25	1.49	2.53	2.01	2.73	
--	--	--	--	--	--	--	--	--	--	--	--	------	------	------	------	------	------	------	------	------	------	------	--

QUOTE PROGETTO

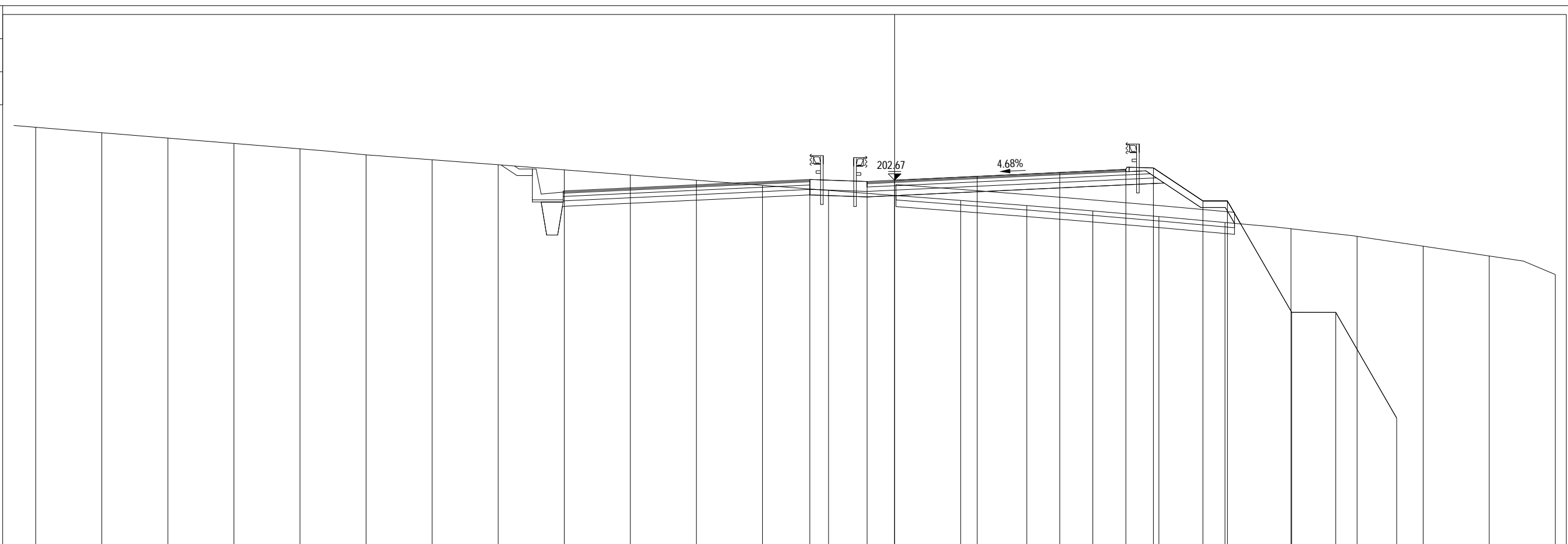
												202.03	201.94	202.00	202.17	202.35	202.49	202.56	201.06	201.06	196.67	196.67	191.94
--	--	--	--	--	--	--	--	--	--	--	--	--------	--------	--------	--------	--------	--------	--------	--------	--------	--------	--------	--------

PROFILO 2.6a\_CUNEO

SEZIONE 132

PROGRESSIVA 2607.11

A RILEVATO	m <sup>2</sup>	12.85
AN ANTICAPILLARE	m <sup>2</sup>	8.11
B SCAVO	m <sup>2</sup>	0.66
C BINDER	m <sup>2</sup>	0.59
D BASE	m <sup>2</sup>	1.91
MC MISTO CEMENTATO	m <sup>2</sup>	3.77
MS MISTO STABILIZZATO	m <sup>2</sup>	3.99
VR VEGETALE RIL	m <sup>2</sup>	1.68
a USURA	m	11.76
br BONIFICA	m	16.25
sc SCOTICO	m	16.25
tn TNT	m	16.20



PROGRESSIVE TERRENO

-39.00	-36.00	-33.00	-30.00	-27.00	-24.00	-21.00	-18.00	-15.00	-12.00	-9.00	-6.00	-3.00	0.00	3.00	6.00	9.00	12.00	15.00	18.00	21.00	24.00	27.00	30.00
--------	--------	--------	--------	--------	--------	--------	--------	--------	--------	-------	-------	-------	------	------	------	------	-------	-------	-------	-------	-------	-------	-------

PARZIALI TERRENO

3.00	3.00	3.00	3.00	3.00	3.00	3.00	3.00	3.00	3.00	3.00	3.00	3.00	3.00	3.00	3.00	3.00	3.00	3.00	3.00	3.00	3.00	3.00	3.00
------	------	------	------	------	------	------	------	------	------	------	------	------	------	------	------	------	------	------	------	------	------	------	------

QUOTE TERRENO

205.08	204.83	204.59	204.34	204.10	203.82	203.60	203.38	203.14	202.91	202.67	202.44	202.21	201.98	201.75	201.52	201.28	201.02	200.75	200.47	200.12	199.68	199.23	198.39
--------	--------	--------	--------	--------	--------	--------	--------	--------	--------	--------	--------	--------	--------	--------	--------	--------	--------	--------	--------	--------	--------	--------	--------

PROGRESSIVE PROGETTO

												-3.85	-1.25	0.00	3.75	7.50	10.50	11.75	14.00	15.11	18.03	20.03	22.80
--	--	--	--	--	--	--	--	--	--	--	--	-------	-------	------	------	------	-------	-------	-------	-------	-------	-------	-------

PARZIALI PROGETTO

												2.60	1.25	3.75	3.75	3.00	1.25	2.25	1.11	2.92	2.00	2.77	
--	--	--	--	--	--	--	--	--	--	--	--	------	------	------	------	------	------	------	------	------	------	------	--

QUOTE PROGETTO

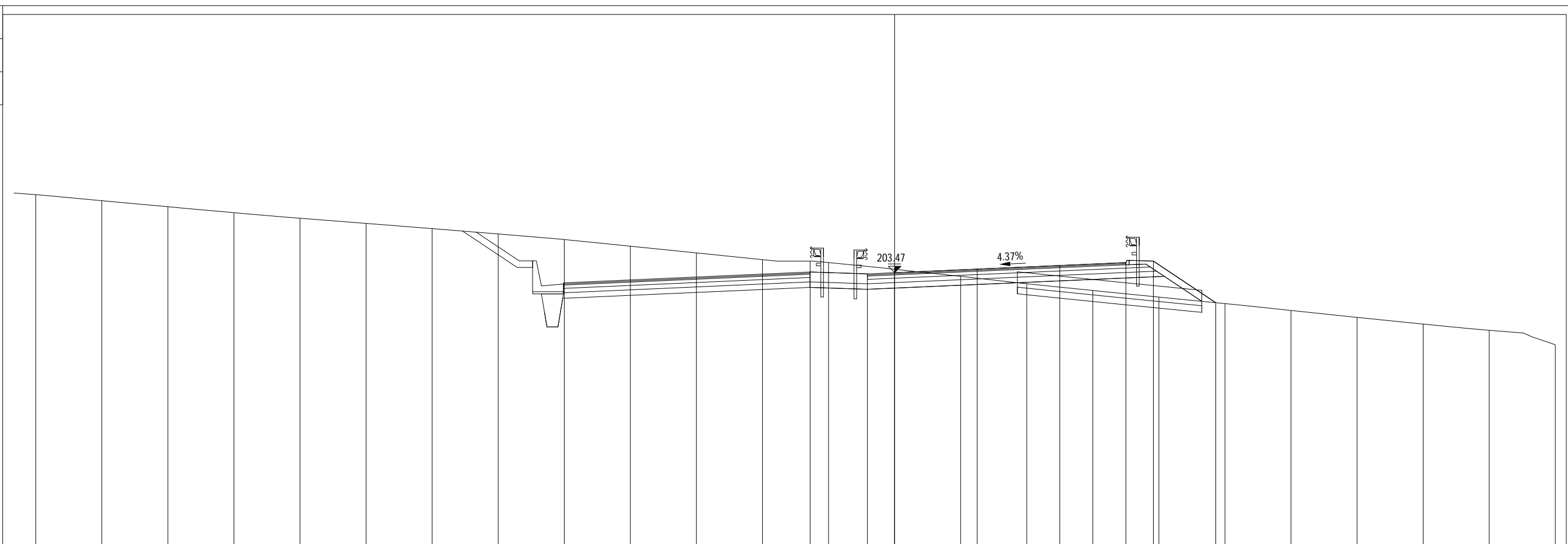
												202.71	202.61	202.67	202.85	203.02	203.16	203.23	201.73	201.73	196.67	196.67	191.87
--	--	--	--	--	--	--	--	--	--	--	--	--------	--------	--------	--------	--------	--------	--------	--------	--------	--------	--------	--------

PROFILO 2.6a\_CUNEO

SEZIONE 133

PROGRESSIVA 2632.20

A RILEVATO	m <sup>2</sup>	4.13
AN ANTICAPILLARE	m <sup>2</sup>	4.21
B SCAVO	m <sup>2</sup>	6.49
C BINDER	m <sup>2</sup>	0.59
D BASE	m <sup>2</sup>	1.91
MC MISTO CEMENTATO	m <sup>2</sup>	3.79
MS MISTO STABILIZZATO	m <sup>2</sup>	3.98
VR VEGETALE RIL	m <sup>2</sup>	1.12
a USURA	m	11.75
br BONIFICA	m	8.48
sc SCOTICO	m	8.48
tn TNT	m	8.43



PROGRESSIVE TERRENO

-39.00	-36.00	-33.00	-30.00	-27.00	-24.00	-21.00	-18.00	-15.00	-12.00	-9.00	-6.00	-3.00	0.00	3.00	6.00	9.00	12.00	15.00	18.00	21.00	24.00	27.00	30.00
--------	--------	--------	--------	--------	--------	--------	--------	--------	--------	-------	-------	-------	------	------	------	------	-------	-------	-------	-------	-------	-------	-------

PARZIALI TERRENO

3.00	3.00	3.00	3.00	3.00	3.00	3.00	3.00	3.00	3.00	3.00	3.00	3.00	3.00	3.00	3.00	3.00	3.00	3.00	3.00	3.00	3.00	3.00	3.00
------	------	------	------	------	------	------	------	------	------	------	------	------	------	------	------	------	------	------	------	------	------	------	------

QUOTE TERRENO

207.02	206.74	206.47	206.20	205.95	205.71	205.48	205.23	204.98	204.68	204.37	204.07	203.93	203.63	203.31	202.97	202.67	202.37	202.07	201.76	201.44	201.14	200.86	200.20
--------	--------	--------	--------	--------	--------	--------	--------	--------	--------	--------	--------	--------	--------	--------	--------	--------	--------	--------	--------	--------	--------	--------	--------

PROGRESSIVE PROGETTO

												-3.84	-1.24	0.00	3.75	7.50	10.50	11.75	14.58				
--	--	--	--	--	--	--	--	--	--	--	--	-------	-------	------	------	------	-------	-------	-------	--	--	--	--

PARZIALI PROGETTO

												2.60	1.24	3.75	3.75	3.00	1.25	2.83					
--	--	--	--	--	--	--	--	--	--	--	--	------	------	------	------	------	------	------	--	--	--	--	--

QUOTE PROGETTO

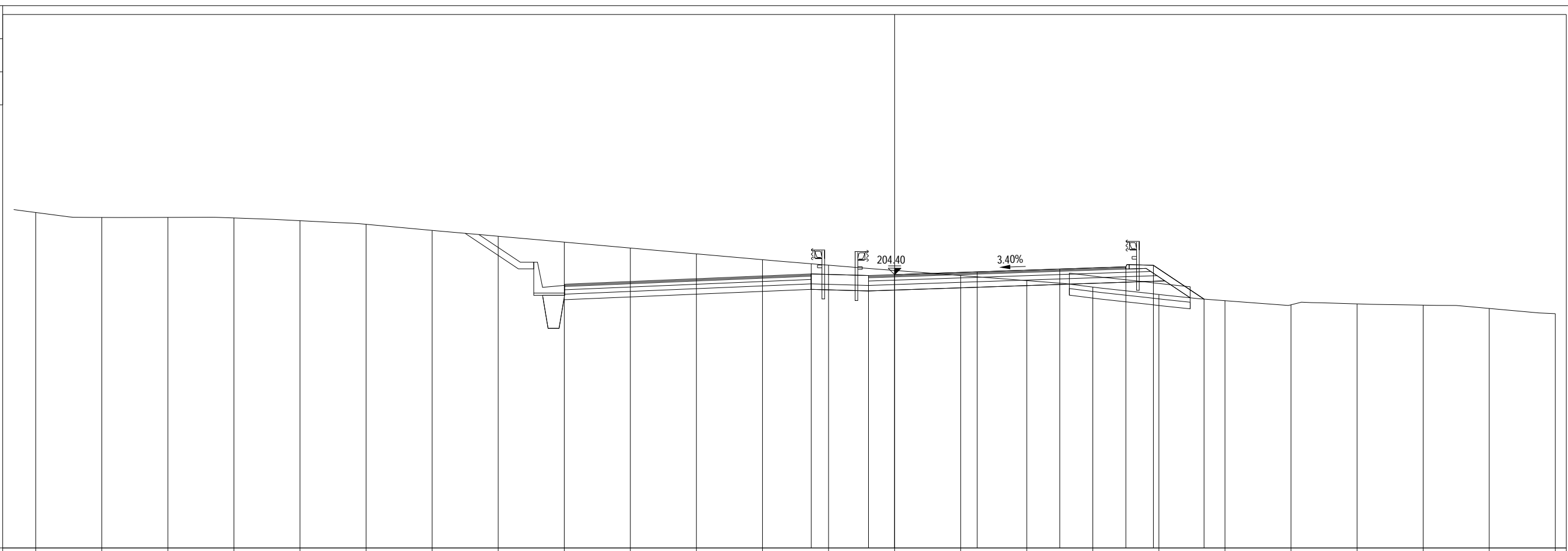
												203.51	203.42	203.47	203.64	203.80	203.93	204.00	202.11				
--	--	--	--	--	--	--	--	--	--	--	--	--------	--------	--------	--------	--------	--------	--------	--------	--	--	--	--

PROFILO 2.6a\_CUNEO

SEZIONE 134

PROGRESSIVA 2657.27

A RILEVATO	m <sup>2</sup>	1.83
AN ANTICAPILLARE	m <sup>2</sup>	2.77
B SCAVO	m <sup>2</sup>	7.54
C BINDER	m <sup>2</sup>	0.58
D BASE	m <sup>2</sup>	1.91
MC MISTO CEMENTATO	m <sup>2</sup>	3.78
MS MISTO STABILIZZATO	m <sup>2</sup>	3.98
VR VEGETALE RIL	m <sup>2</sup>	0.92
a USURA	m	11.70
br BONIFICA	m	5.58
sc SCOTICO	m	5.58
tn TNT	m	5.54



192

200

PROGRESSIVE TERRENO

-39.00	-36.00	-33.00	-30.00	-27.00	-24.00	-21.00	-18.00	-15.00	-12.00	-9.00	-6.00	-3.00	0.00	3.00	6.00	9.00	12.00	15.00	18.00	21.00	24.00	27.00	30.00
--------	--------	--------	--------	--------	--------	--------	--------	--------	--------	-------	-------	-------	------	------	------	------	-------	-------	-------	-------	-------	-------	-------

PARZIALI TERRENO

3.00	3.00	3.00	3.00	3.00	3.00	3.00	3.00	3.00	3.00	3.00	3.00	3.00	3.00	3.00	3.00	3.00	3.00	3.00	3.00	3.00	3.00	3.00	3.00
------	------	------	------	------	------	------	------	------	------	------	------	------	------	------	------	------	------	------	------	------	------	------	------

QUOTE TERRENO

207.22	206.99	206.99	206.97	206.84	206.68	206.40	206.14	205.87	205.60	205.34	205.08	204.83	204.59	204.36	204.13	203.83	203.50	203.22	203.03	203.07	203.01	202.86	202.63
--------	--------	--------	--------	--------	--------	--------	--------	--------	--------	--------	--------	--------	--------	--------	--------	--------	--------	--------	--------	--------	--------	--------	--------

PROGRESSIVE PROGETTO

												-3.79	-1.19	0.00	3.75	7.50	10.50	11.75	14.05				
--	--	--	--	--	--	--	--	--	--	--	--	-------	-------	------	------	------	-------	-------	-------	--	--	--	--

PARZIALI PROGETTO

												2.60	1.19	3.75	3.75	3.00	1.25	2.30					
--	--	--	--	--	--	--	--	--	--	--	--	------	------	------	------	------	------	------	--	--	--	--	--

QUOTE PROGETTO

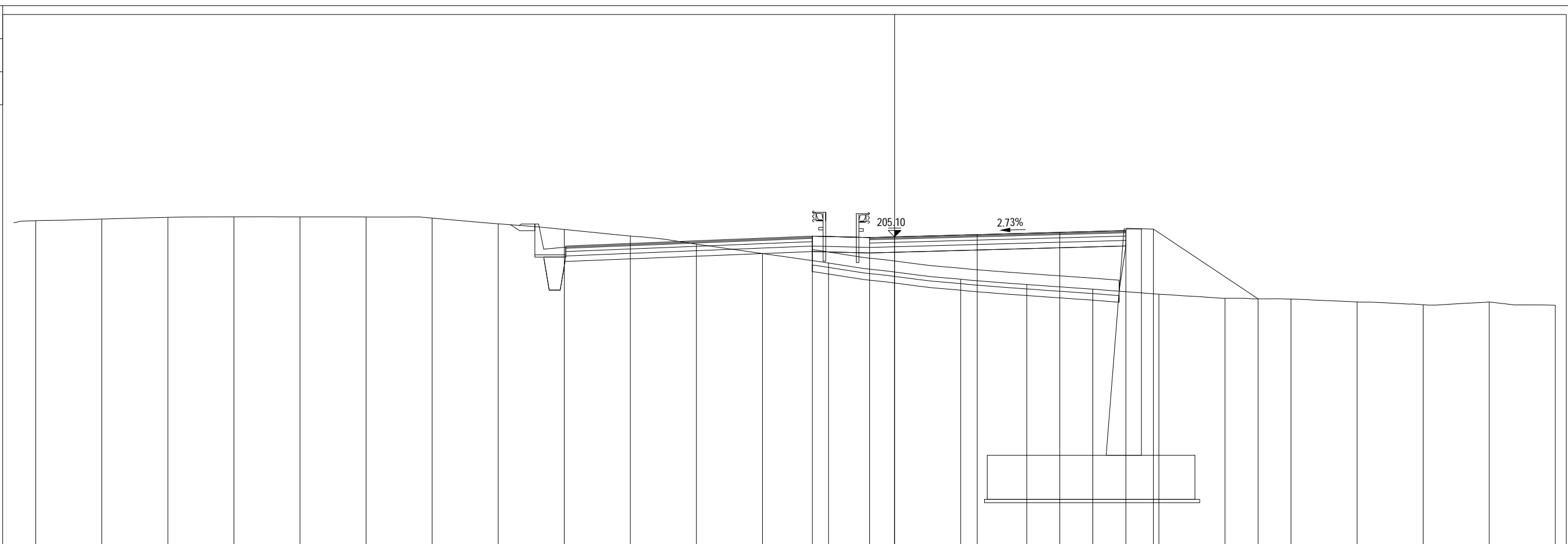
												204.43	204.36	204.40	204.53	204.65	204.75	204.82	203.29				
--	--	--	--	--	--	--	--	--	--	--	--	--------	--------	--------	--------	--------	--------	--------	--------	--	--	--	--

PROFILO 2.6a\_CUNEO

SEZIONE 135

PROGRESSIVA 2674.38

A RILEVATO	m <sup>2</sup>	18.20
AN ANTICAPILLARE	m <sup>2</sup>	6.95
C BINDER	m <sup>2</sup>	0.58
D BASE	m <sup>2</sup>	1.74
MC MISTO CEMENTATO	m <sup>2</sup>	3.50
MS MISTO STABILIZZATO	m <sup>2</sup>	3.56
a USURA	m	11.63
br BONIFICA	m	13.98
sc SCOTICO	m	13.98
tn TNT	m	13.92



191

PROGRESSIVE TERRENO

-39.00	-36.00	-33.00	-30.00	-27.00	-24.00	-21.00	-18.00	-15.00	-12.00	-9.00	-6.00	-3.00	0.00	3.00	6.00	9.00	12.00	15.00	18.00	21.00	24.00	27.00	30.00
--------	--------	--------	--------	--------	--------	--------	--------	--------	--------	-------	-------	-------	------	------	------	------	-------	-------	-------	-------	-------	-------	-------

PARZIALI TERRENO

3.00	3.00	3.00	3.00	3.00	3.00	3.00	3.00	3.00	3.00	3.00	3.00	3.00	3.00	3.00	3.00	3.00	3.00	3.00	3.00	3.00	3.00	3.00	3.00
------	------	------	------	------	------	------	------	------	------	------	------	------	------	------	------	------	------	------	------	------	------	------	------

QUOTE TERRENO

205.84	205.91	205.99	206.01	206.01	206.00	205.95	205.69	205.44	205.14	204.77	204.34	203.91	203.51	203.18	202.94	202.73	202.50	202.31	202.27	202.15	202.02	202.14	201.99
--------	--------	--------	--------	--------	--------	--------	--------	--------	--------	--------	--------	--------	--------	--------	--------	--------	--------	--------	--------	--------	--------	--------	--------

PROGRESSIVE PROGETTO

												-3.73	-1.13	0.00	3.75	7.50	10.50	11.75		16.50			
--	--	--	--	--	--	--	--	--	--	--	--	-------	-------	------	------	------	-------	-------	--	-------	--	--	--

PARZIALI PROGETTO

												2.60	1.13	3.75	3.75	3.00	1.25	4.75					
--	--	--	--	--	--	--	--	--	--	--	--	------	------	------	------	------	------	------	--	--	--	--	--

QUOTE PROGETTO

												205.13	205.07	205.10	205.20	205.31	205.39	205.45		202.29			
--	--	--	--	--	--	--	--	--	--	--	--	--------	--------	--------	--------	--------	--------	--------	--	--------	--	--	--

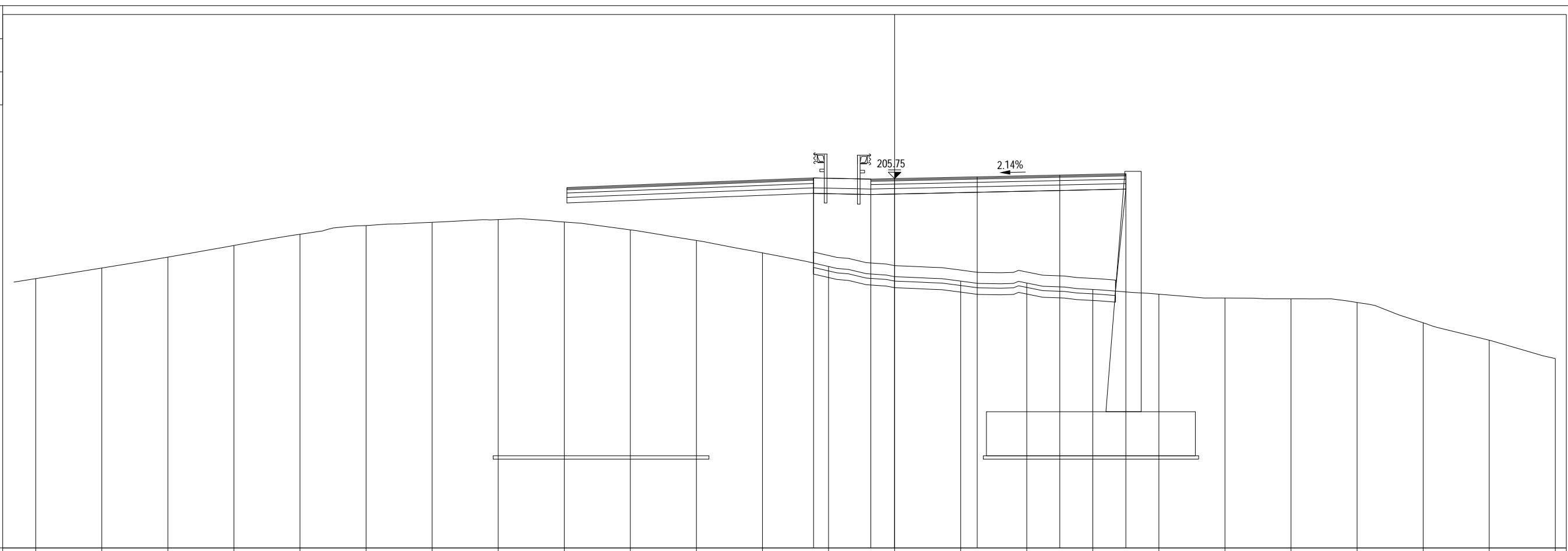


PROFILO 2.6a\_CUNEO

SEZIONE 136

PROGRESSIVA 2689.71

A RILEVATO	m <sup>2</sup>	55.64
AN ANTICAPILLARE	m <sup>2</sup>	6.83
C BINDER	m <sup>2</sup>	0.58
D BASE	m <sup>2</sup>	1.73
MC MISTO CEMENTATO	m <sup>2</sup>	3.49
MS MISTO STABILIZZATO	m <sup>2</sup>	3.55
a USURA	m	11.58
br BONIFICA	m	13.83
sc SCOTICO	m	13.83
tn TNT	m	13.71



PROGRESSIVE TERRENO

-39.00	-36.00	-33.00	-30.00	-27.00	-24.00	-21.00	-18.00	-15.00	-12.00	-9.00	-6.00	-3.00	0.00	3.00	6.00	9.00	12.00	15.00	18.00	21.00	24.00	27.00	30.00
--------	--------	--------	--------	--------	--------	--------	--------	--------	--------	-------	-------	-------	------	------	------	------	-------	-------	-------	-------	-------	-------	-------

PARZIALI TERRENO

3.00	3.00	3.00	3.00	3.00	3.00	3.00	3.00	3.00	3.00	3.00	3.00	3.00	3.00	3.00	3.00	3.00	3.00	3.00	3.00	3.00	3.00	3.00	3.00
------	------	------	------	------	------	------	------	------	------	------	------	------	------	------	------	------	------	------	------	------	------	------	------

QUOTE TERRENO

201.22	201.70	202.19	202.72	203.23	203.62	203.77	203.90	203.79	203.43	202.95	202.39	201.77	201.31	201.11	201.02	200.73	200.51	200.34	200.30	200.14	199.21	198.42	197.59
--------	--------	--------	--------	--------	--------	--------	--------	--------	--------	--------	--------	--------	--------	--------	--------	--------	--------	--------	--------	--------	--------	--------	--------

PROGRESSIVE PROGETTO

												-3.68	-1.08	0.00	3.75	7.50	10.50						
--	--	--	--	--	--	--	--	--	--	--	--	-------	-------	------	------	------	-------	--	--	--	--	--	--

PARZIALI PROGETTO

												2.60	1.08	3.75	3.75	3.00							
--	--	--	--	--	--	--	--	--	--	--	--	------	------	------	------	------	--	--	--	--	--	--	--

QUOTE PROGETTO

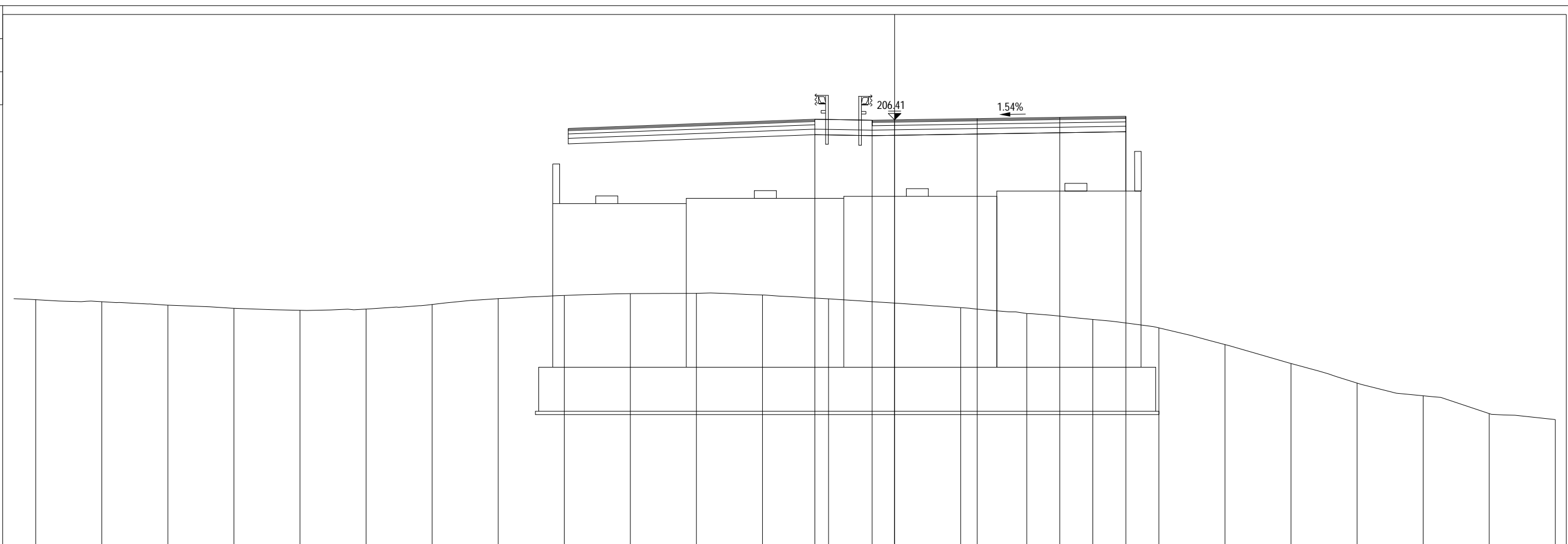
												205.78	205.73	205.75	205.83	205.92	205.98						
--	--	--	--	--	--	--	--	--	--	--	--	--------	--------	--------	--------	--------	--------	--	--	--	--	--	--

PROFILO 2.6a\_CUNEO

SEZIONE 137

PROGRESSIVA 2705.14

C BINDER m<sup>2</sup> 0.57  
 D BASE m<sup>2</sup> 1.73  
 MC MISTO CEMENTATO m<sup>2</sup> 3.48  
 MS MISTO STABILIZZATO m<sup>2</sup> 3.53  
 a USURA m 11.52



187  
 200

PROGRESSIVE TERRENO

-39.00	-36.00	-33.00	-30.00	-27.00	-24.00	-21.00	-18.00	-15.00	-12.00	-9.00	-6.00	-3.00	0.00	3.00	6.00	9.00	12.00	15.00	18.00	21.00	24.00	27.00	30.00
--------	--------	--------	--------	--------	--------	--------	--------	--------	--------	-------	-------	-------	------	------	------	------	-------	-------	-------	-------	-------	-------	-------

PARZIALI TERRENO

3.00	3.00	3.00	3.00	3.00	3.00	3.00	3.00	3.00	3.00	3.00	3.00	3.00	3.00	3.00	3.00	3.00	3.00	3.00	3.00	3.00	3.00	3.00	3.00
------	------	------	------	------	------	------	------	------	------	------	------	------	------	------	------	------	------	------	------	------	------	------	------

QUOTE TERRENO

198.25	198.16	198.00	197.86	197.76	197.82	198.03	198.29	198.44	198.52	198.54	198.46	198.29	198.09	197.89	197.62	197.35	196.97	196.21	195.35	194.46	193.88	193.07	192.80
--------	--------	--------	--------	--------	--------	--------	--------	--------	--------	--------	--------	--------	--------	--------	--------	--------	--------	--------	--------	--------	--------	--------	--------

PROGRESSIVE PROGETTO

												-3.62	-1.02	0.00	3.75	7.50	10.50						
--	--	--	--	--	--	--	--	--	--	--	--	-------	-------	------	------	------	-------	--	--	--	--	--	--

PARZIALI PROGETTO

													2.60	1.02	3.75	3.75	3.00						
--	--	--	--	--	--	--	--	--	--	--	--	--	------	------	------	------	------	--	--	--	--	--	--

QUOTE PROGETTO

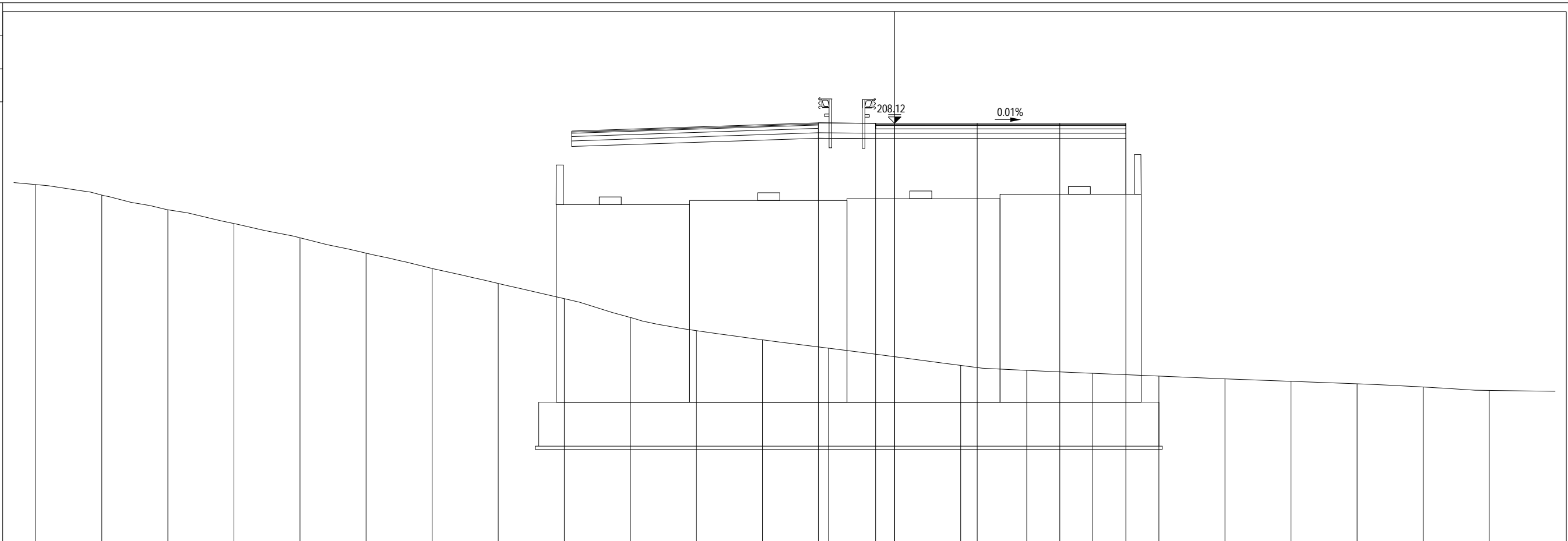
												206.44	206.40	206.41	206.47	206.53	206.57						
--	--	--	--	--	--	--	--	--	--	--	--	--------	--------	--------	--------	--------	--------	--	--	--	--	--	--

PROFILO 2.6a\_CUNEO

SEZIONE 138

PROGRESSIVA 2745.22

C BINDER m<sup>2</sup> 0.57  
 D BASE m<sup>2</sup> 1.71  
 MC MISTO CEMENTATO m<sup>2</sup> 3.44  
 MS MISTO STABILIZZATO m<sup>2</sup> 3.49  
 a USURA m 11.36



189  
 200 200

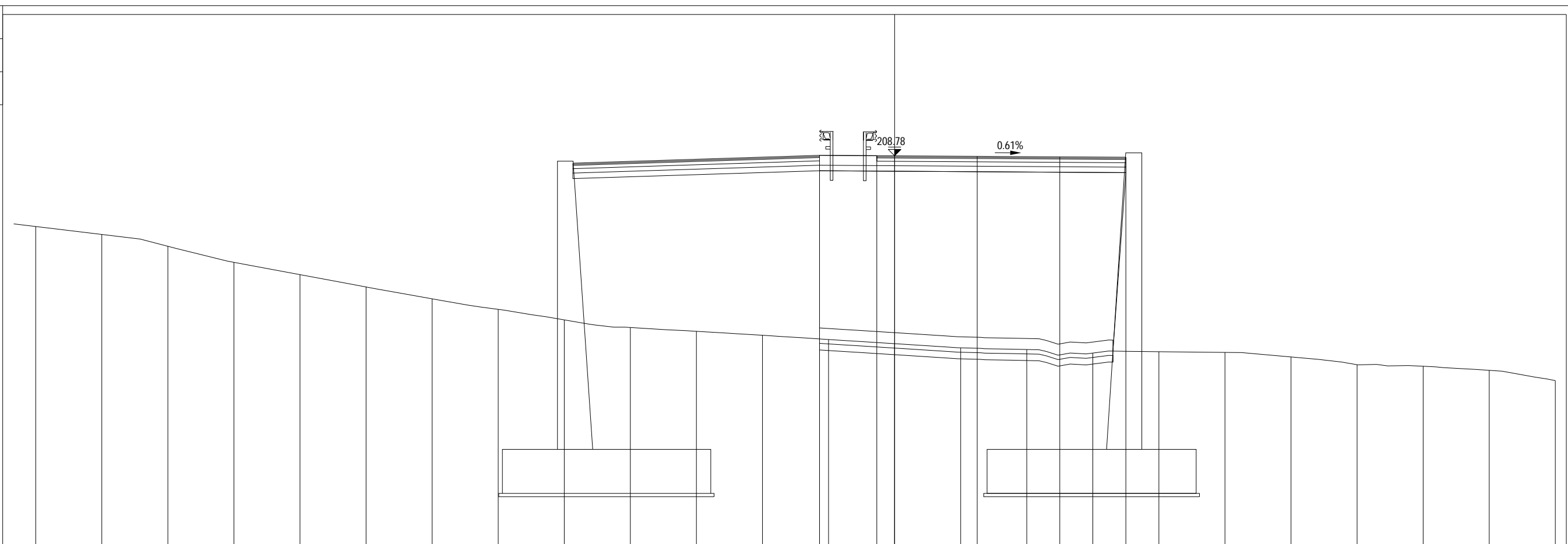
PROGRESSIVE TERRENO	-39.00	-36.00	-33.00	-30.00	-27.00	-24.00	-21.00	-18.00	-15.00	-12.00	-9.00	-6.00	-3.00	0.00	3.00	6.00	9.00	12.00	15.00	18.00	21.00	24.00	27.00
PARZIALI TERRENO		3.00	3.00	3.00	3.00	3.00	3.00	3.00	3.00	3.00	3.00	3.00	3.00	3.00	3.00	3.00	3.00	3.00	3.00	3.00	3.00	3.00	3.00
QUOTE TERRENO	205.34	204.86	204.20	203.57	202.92	202.23	201.53	200.85	200.16	199.31	198.71	198.29	197.91	197.52	197.13	196.90	196.77	196.64	196.52	196.40	196.29	196.15	195.99
PROGRESSIVE PROGETTO													-3.46	-0.86	0.00	3.75	7.50	10.50					
PARZIALI PROGETTO													2.60	0.86	3.75	3.75	3.00						
QUOTE PROGETTO													208.15	208.12	208.12	208.12	208.12	208.12	208.12				

PROFILO 2.6a\_CUNEO

SEZIONE 139

PROGRESSIVA 2760.66

A RILEVATO	m <sup>2</sup>	108.62
AN ANTICAPILLARE	m <sup>2</sup>	6.68
C BINDER	m <sup>2</sup>	0.56
D BASE	m <sup>2</sup>	1.70
MC MISTO CEMENTATO	m <sup>2</sup>	3.43
MS MISTO STABILIZZATO	m <sup>2</sup>	3.48
a USURA	m	11.31
br BONIFICA	m	13.38
sc SCOTICO	m	13.38
tn TNT	m	13.32



PROGRESSIVE TERRENO

-39.00	-36.00	-33.00	-30.00	-27.00	-24.00	-21.00	-18.00	-15.00	-12.00	-9.00	-6.00	-3.00	0.00	3.00	6.00	9.00	12.00	15.00	18.00	21.00	24.00	27.00	30.00
--------	--------	--------	--------	--------	--------	--------	--------	--------	--------	-------	-------	-------	------	------	------	------	-------	-------	-------	-------	-------	-------	-------

PARZIALI TERRENO

3.00	3.00	3.00	3.00	3.00	3.00	3.00	3.00	3.00	3.00	3.00	3.00	3.00	3.00	3.00	3.00	3.00	3.00	3.00	3.00	3.00	3.00	3.00	3.00
------	------	------	------	------	------	------	------	------	------	------	------	------	------	------	------	------	------	------	------	------	------	------	------

QUOTE TERRENO

205.57	205.21	204.67	203.94	203.38	202.82	202.29	201.81	201.33	200.98	200.81	200.63	200.44	200.25	200.06	199.98	199.82	199.88	199.85	199.65	199.29	199.22	199.04	198.57
--------	--------	--------	--------	--------	--------	--------	--------	--------	--------	--------	--------	--------	--------	--------	--------	--------	--------	--------	--------	--------	--------	--------	--------

PROGRESSIVE PROGETTO

												-3.41	-0.81	0.00	3.75	7.50	10.50						
--	--	--	--	--	--	--	--	--	--	--	--	-------	-------	------	------	------	-------	--	--	--	--	--	--

PARZIALI PROGETTO

												2.60	0.81	3.75	3.75	3.00							
--	--	--	--	--	--	--	--	--	--	--	--	------	------	------	------	------	--	--	--	--	--	--	--

QUOTE PROGETTO

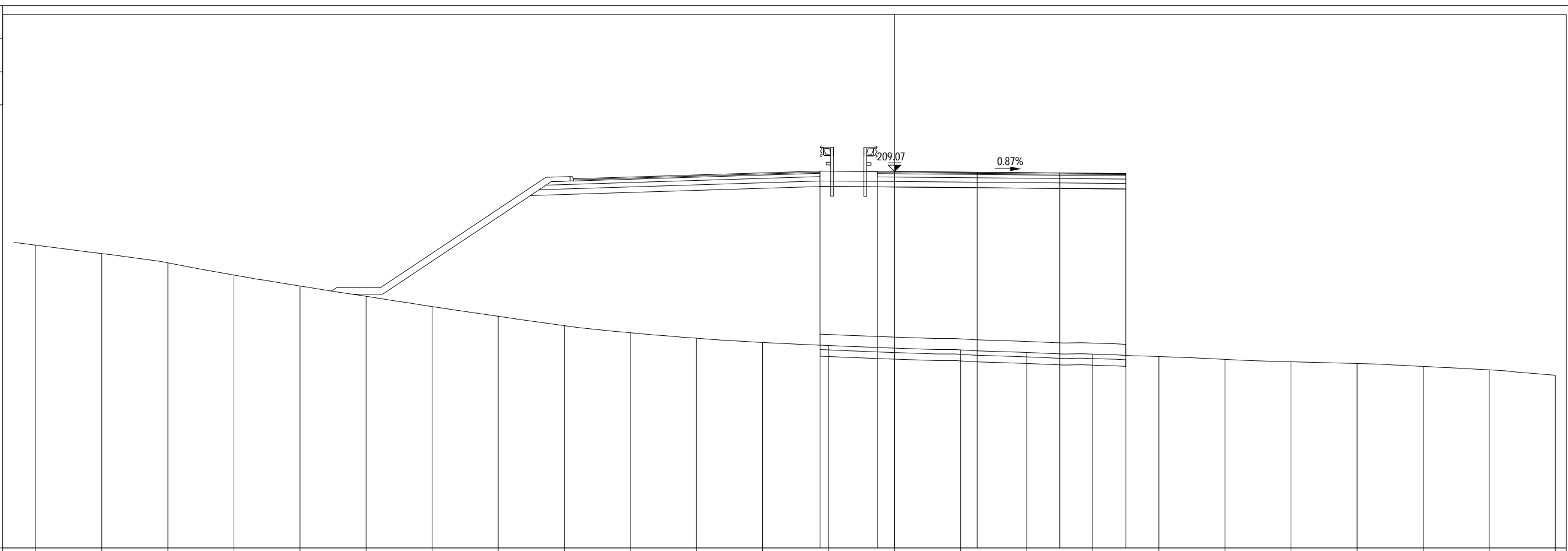
												208.80	208.79	208.78	208.76	208.74	208.72						
--	--	--	--	--	--	--	--	--	--	--	--	--------	--------	--------	--------	--------	--------	--	--	--	--	--	--

PROFILO 2.6a\_CUNEO

SEZIONE 140

PROGRESSIVA 2767.54

A RILEVATO	m <sup>2</sup>	169.84
AN ANTICAPILLARE	m <sup>2</sup>	14.92
C BINDER	m <sup>2</sup>	0.56
D BASE	m <sup>2</sup>	1.86
MC MISTO CEMENTATO	m <sup>2</sup>	3.72
MS MISTO STABILIZZATO	m <sup>2</sup>	3.90
VR VEGETALE RIL	m <sup>2</sup>	5.28
a USURA	m	11.29
br BONIFICA	m	29.87
sc SCOTICO	m	29.87
tn TNT	m	29.87



PROGRESSIVE TERRENO

-39.00	-36.00	-33.00	-30.00	-27.00	-24.00	-21.00	-18.00	-15.00	-12.00	-9.00	-6.00	-3.00	0.00	3.00	6.00	9.00	12.00	15.00	18.00	21.00	24.00	27.00	30.00
--------	--------	--------	--------	--------	--------	--------	--------	--------	--------	-------	-------	-------	------	------	------	------	-------	-------	-------	-------	-------	-------	-------

PARZIALI TERRENO

3.00	3.00	3.00	3.00	3.00	3.00	3.00	3.00	3.00	3.00	3.00	3.00	3.00	3.00	3.00	3.00	3.00	3.00	3.00	3.00	3.00	3.00	3.00	3.00
------	------	------	------	------	------	------	------	------	------	------	------	------	------	------	------	------	------	------	------	------	------	------	------

QUOTE TERRENO

205.74	205.35	204.93	204.38	203.88	203.42	202.95	202.51	202.08	201.76	201.52	201.32	201.18	201.06	200.98	200.87	200.79	200.68	200.55	200.45	200.37	200.24	200.08	199.84
--------	--------	--------	--------	--------	--------	--------	--------	--------	--------	--------	--------	--------	--------	--------	--------	--------	--------	--------	--------	--------	--------	--------	--------

PROGRESSIVE PROGETTO

												-3.39	-0.79	0.00	3.75	7.50	10.50						
--	--	--	--	--	--	--	--	--	--	--	--	-------	-------	------	------	------	-------	--	--	--	--	--	--

PARZIALI PROGETTO

												2.60	0.79	3.75	3.75	3.00							
--	--	--	--	--	--	--	--	--	--	--	--	------	------	------	------	------	--	--	--	--	--	--	--

QUOTE PROGETTO

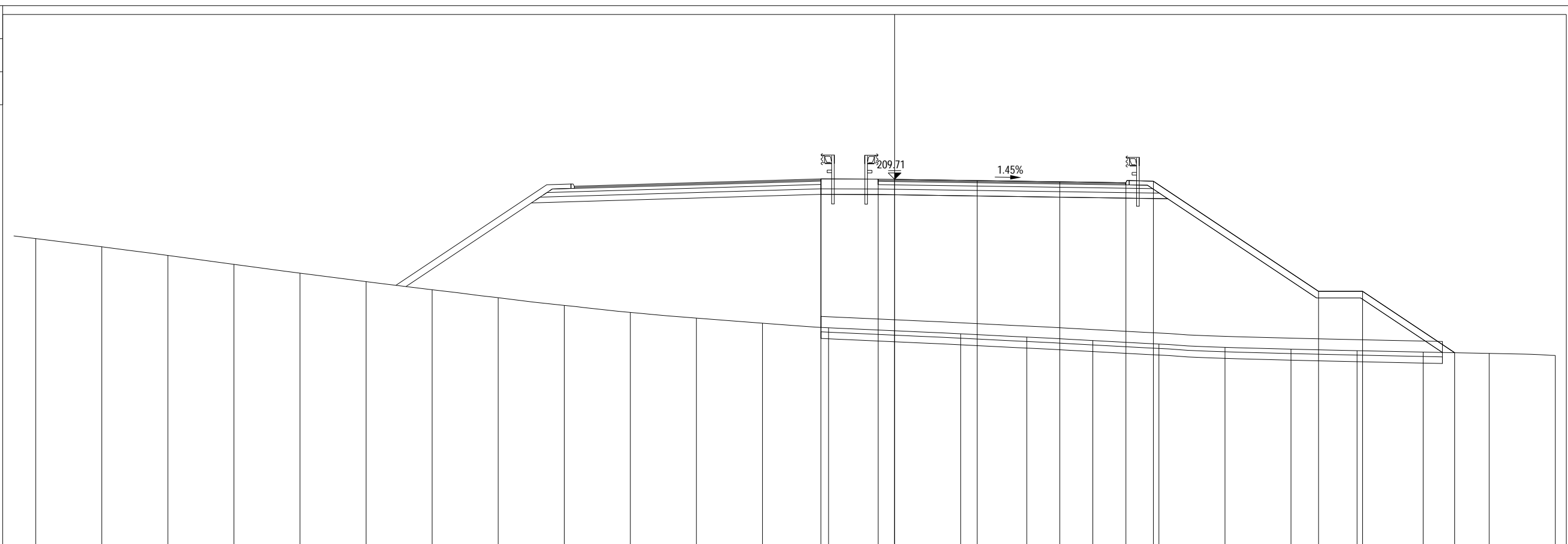
												209.10	209.08	209.07	209.04	209.01	208.98						
--	--	--	--	--	--	--	--	--	--	--	--	--------	--------	--------	--------	--------	--------	--	--	--	--	--	--

PROFILO 2.6a\_CUNEO

SEZIONE 141

PROGRESSIVA 2782.48

A RILEVATO	m <sup>2</sup>	139.40
AN ANTICAPILLARE	m <sup>2</sup>	14.02
C BINDER	m <sup>2</sup>	0.56
D BASE	m <sup>2</sup>	1.87
MC MISTO CEMENTATO	m <sup>2</sup>	3.69
MS MISTO STABILIZZATO	m <sup>2</sup>	3.91
VR VEGETALE RIL	m <sup>2</sup>	4.60
a USURA	m	11.25
br BONIFICA	m	28.09
sc SCOTICO	m	28.09
tn TNT	m	28.09



PROGRESSIVE TERRENO

-39.00	-36.00	-33.00	-30.00	-27.00	-24.00	-21.00	-18.00	-15.00	-12.00	-9.00	-6.00	-3.00	0.00	3.00	6.00	9.00	12.00	15.00	18.00	21.00	24.00	27.00	30.00
--------	--------	--------	--------	--------	--------	--------	--------	--------	--------	-------	-------	-------	------	------	------	------	-------	-------	-------	-------	-------	-------	-------

PARZIALI TERRENO

3.00	3.00	3.00	3.00	3.00	3.00	3.00	3.00	3.00	3.00	3.00	3.00	3.00	3.00	3.00	3.00	3.00	3.00	3.00	3.00	3.00	3.00	3.00	3.00
------	------	------	------	------	------	------	------	------	------	------	------	------	------	------	------	------	------	------	------	------	------	------	------

QUOTE TERRENO

207.02	206.65	206.26	205.85	205.45	205.07	204.70	204.34	203.99	203.67	203.41	203.18	202.97	202.84	202.70	202.55	202.39	202.23	202.08	202.00	201.93	201.87	201.81	201.72
--------	--------	--------	--------	--------	--------	--------	--------	--------	--------	--------	--------	--------	--------	--------	--------	--------	--------	--------	--------	--------	--------	--------	--------

PROGRESSIVE PROGETTO

												-3.35	-0.75	0.00	3.75	7.50	10.50	11.75		19.25	21.25		25.43
--	--	--	--	--	--	--	--	--	--	--	--	-------	-------	------	------	------	-------	-------	--	-------	-------	--	-------

PARZIALI PROGETTO

												2.60	0.75	3.75	3.75	3.00	1.25	7.50		2.00	4.18		
--	--	--	--	--	--	--	--	--	--	--	--	------	------	------	------	------	------	------	--	------	------	--	--

QUOTE PROGETTO

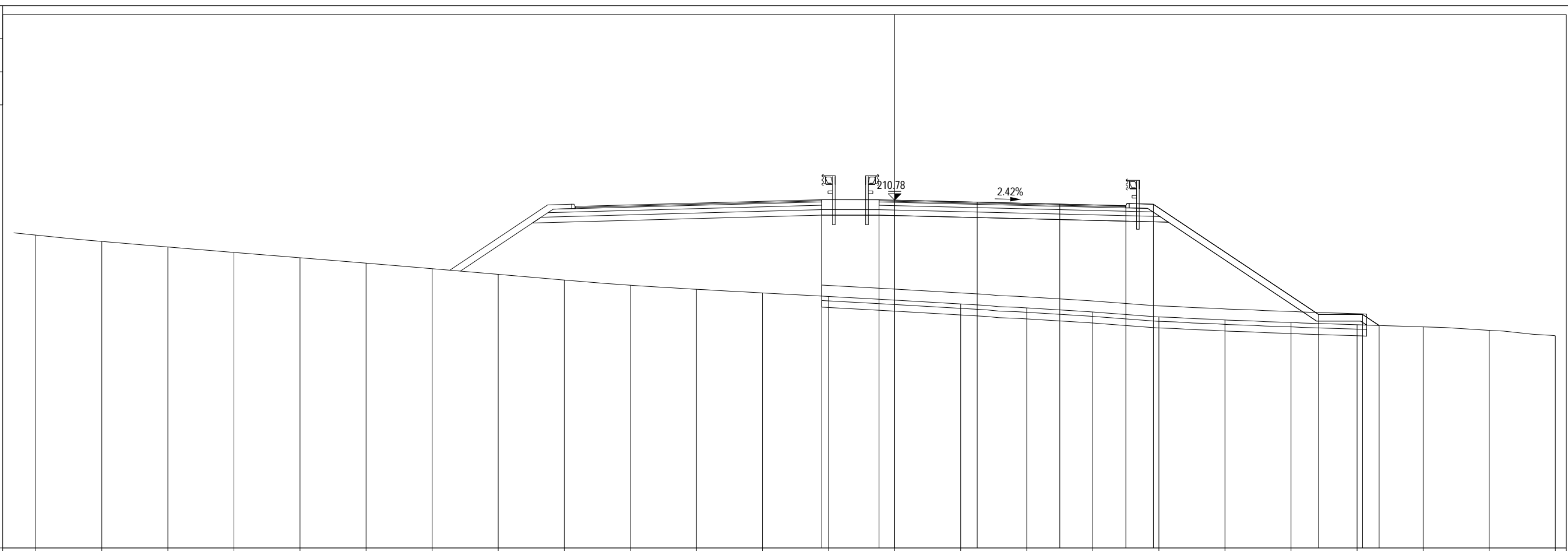
												209.73	209.72	209.71	209.66	209.60	209.56	209.63		204.63	204.63		201.84
--	--	--	--	--	--	--	--	--	--	--	--	--------	--------	--------	--------	--------	--------	--------	--	--------	--------	--	--------

PROFILO 2.6a\_CUNEO

SEZIONE 142

PROGRESSIVA 2807.49

A RILEVATO	m <sup>2</sup>	78.09
AN ANTICAPILLARE	m <sup>2</sup>	11.30
C BINDER	m <sup>2</sup>	0.56
D BASE	m <sup>2</sup>	1.85
MC MISTO CEMENTATO	m <sup>2</sup>	3.70
MS MISTO STABILIZZATO	m <sup>2</sup>	3.90
VR VEGETALE RIL	m <sup>2</sup>	3.08
a USURA	m	11.21
br BONIFICA	m	22.70
sc SCOTICO	m	22.70
tn TNT	m	22.69



PROGRESSIVE TERRENO

-39.00	-36.00	-33.00	-30.00	-27.00	-24.00	-21.00	-18.00	-15.00	-12.00	-9.00	-6.00	-3.00	0.00	3.00	6.00	9.00	12.00	15.00	18.00	21.00	24.00	27.00	30.00
--------	--------	--------	--------	--------	--------	--------	--------	--------	--------	-------	-------	-------	------	------	------	------	-------	-------	-------	-------	-------	-------	-------

PARZIALI TERRENO

3.00	3.00	3.00	3.00	3.00	3.00	3.00	3.00	3.00	3.00	3.00	3.00	3.00	3.00	3.00	3.00	3.00	3.00	3.00	3.00	3.00	3.00	3.00	3.00
------	------	------	------	------	------	------	------	------	------	------	------	------	------	------	------	------	------	------	------	------	------	------	------

QUOTE TERRENO

209.19	208.91	208.65	208.41	208.16	207.92	207.67	207.41	207.15	206.92	206.73	206.57	206.41	206.24	206.07	205.89	205.70	205.48	205.34	205.23	205.13	205.03	204.87	204.63
--------	--------	--------	--------	--------	--------	--------	--------	--------	--------	--------	--------	--------	--------	--------	--------	--------	--------	--------	--------	--------	--------	--------	--------

PROGRESSIVE PROGETTO

												-3.31	-0.71	0.00	3.75	7.50	10.50	11.75		19.25	21.25	22.00	
--	--	--	--	--	--	--	--	--	--	--	--	-------	-------	------	------	------	-------	-------	--	-------	-------	-------	--

PARZIALI PROGETTO

												2.60	0.71	3.75	3.75	3.00	1.25	7.50		2.00	0.75		
--	--	--	--	--	--	--	--	--	--	--	--	------	------	------	------	------	------	------	--	------	------	--	--

QUOTE PROGETTO

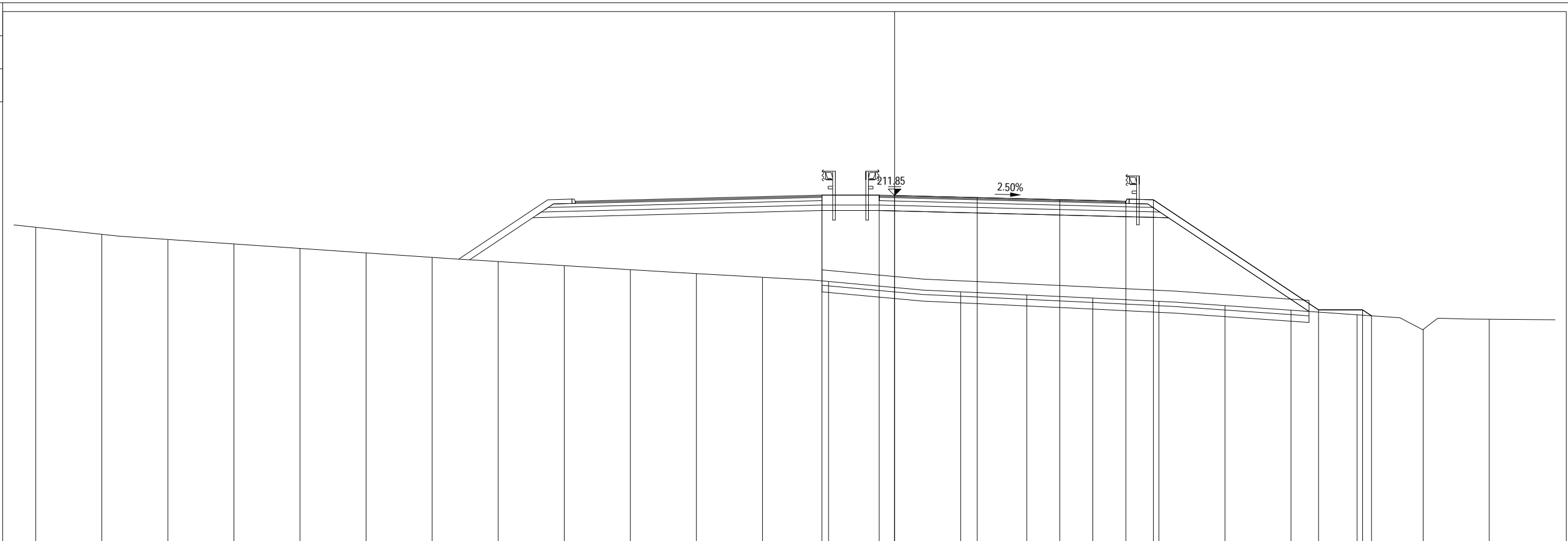
												210.80	210.80	210.78	210.69	210.60	210.52	210.59		205.59	205.59	205.09	
--	--	--	--	--	--	--	--	--	--	--	--	--------	--------	--------	--------	--------	--------	--------	--	--------	--------	--------	--

PROFILO 2.6a\_CUNEO

SEZIONE 143

PROGRESSIVA 2832.50

A RILEVATO	m <sup>2</sup>	68.97
AN ANTICAPILLARE	m <sup>2</sup>	11.08
C BINDER	m <sup>2</sup>	0.56
D BASE	m <sup>2</sup>	1.86
MC MISTO CEMENTATO	m <sup>2</sup>	3.70
MS MISTO STABILIZZATO	m <sup>2</sup>	3.89
VR VEGETALE RIL	m <sup>2</sup>	2.92
a USURA	m	11.20
br BONIFICA	m	22.21
sc SCOTICO	m	22.21
tn TNT	m	22.17



PROGRESSIVE TERRENO

-39.00	-36.00	-33.00	-30.00	-27.00	-24.00	-21.00	-18.00	-15.00	-12.00	-9.00	-6.00	-3.00	0.00	3.00	6.00	9.00	12.00	15.00	18.00	21.00	24.00	27.00
--------	--------	--------	--------	--------	--------	--------	--------	--------	--------	-------	-------	-------	------	------	------	------	-------	-------	-------	-------	-------	-------

PARZIALI TERRENO

3.00	3.00	3.00	3.00	3.00	3.00	3.00	3.00	3.00	3.00	3.00	3.00	3.00	3.00	3.00	3.00	3.00	3.00	3.00	3.00	3.00	3.00	3.00
------	------	------	------	------	------	------	------	------	------	------	------	------	------	------	------	------	------	------	------	------	------	------

QUOTE TERRENO

210.40	210.08	209.85	209.64	209.44	209.24	209.03	208.85	208.66	208.48	208.30	208.13	207.94	207.67	207.47	207.33	207.19	207.04	206.84	206.64	206.43	205.76	206.22
--------	--------	--------	--------	--------	--------	--------	--------	--------	--------	--------	--------	--------	--------	--------	--------	--------	--------	--------	--------	--------	--------	--------

PROGRESSIVE PROGETTO

												-3.30	-0.70	0.00									
--	--	--	--	--	--	--	--	--	--	--	--	-------	-------	------	--	--	--	--	--	--	--	--	--

PARZIALI PROGETTO

												2.60	0.70	3.75	3.75	3.00	1.25	7.50		2.00	0.40		
--	--	--	--	--	--	--	--	--	--	--	--	------	------	------	------	------	------	------	--	------	------	--	--

QUOTE PROGETTO

												211.86	211.86	211.85		211.75	211.66	211.58	211.65		206.65	206.65	206.38
--	--	--	--	--	--	--	--	--	--	--	--	--------	--------	--------	--	--------	--------	--------	--------	--	--------	--------	--------

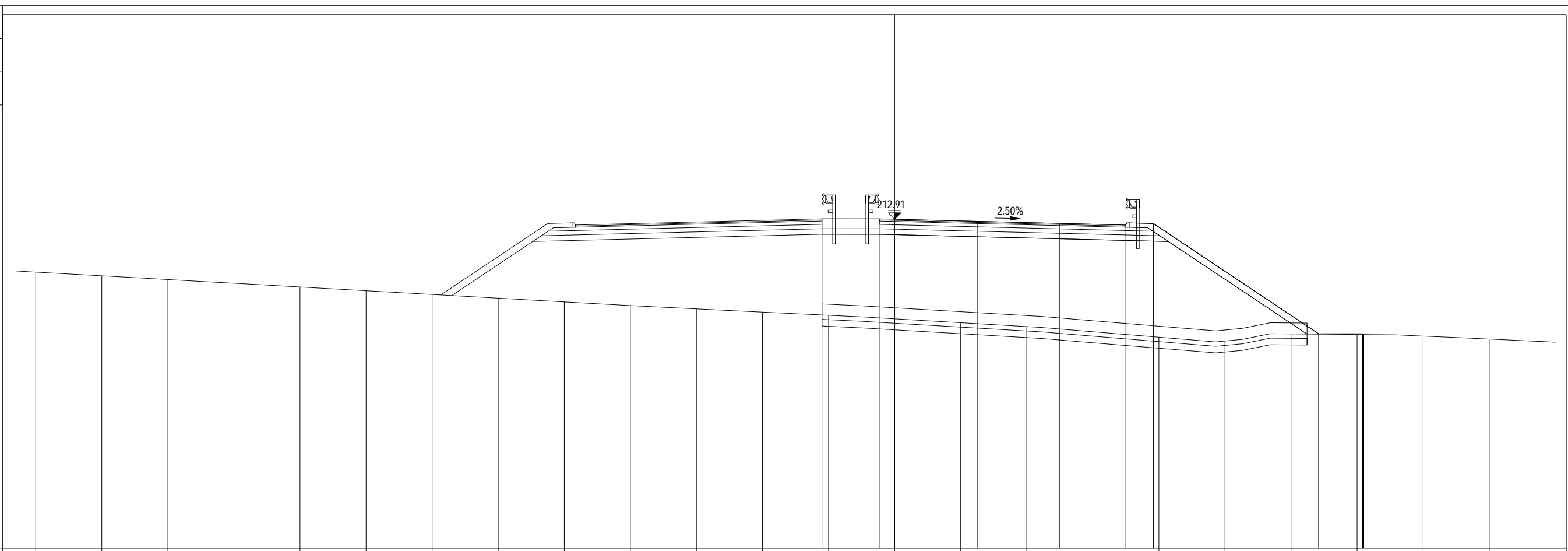


PROFILO 2.6a\_CUNEO

SEZIONE 144

PROGRESSIVA 2857.50

A RILEVATO	m <sup>2</sup>	77.32
AN ANTICAPILLARE	m <sup>2</sup>	11.05
C BINDER	m <sup>2</sup>	0.56
D BASE	m <sup>2</sup>	1.86
MC MISTO CEMENTATO	m <sup>2</sup>	3.69
MS MISTO STABILIZZATO	m <sup>2</sup>	3.90
VR VEGETALE RIL	m <sup>2</sup>	2.84
a USURA	m	11.20
br BONIFICA	m	22.15
sc SCOTICO	m	22.15
tn TNT	m	22.08



PROGRESSIVE TERRENO

-39.00	-36.00	-33.00	-30.00	-27.00	-24.00	-21.00	-18.00	-15.00	-12.00	-9.00	-6.00	-3.00	0.00	3.00	6.00	9.00	12.00	15.00	18.00	21.00	24.00	27.00
--------	--------	--------	--------	--------	--------	--------	--------	--------	--------	-------	-------	-------	------	------	------	------	-------	-------	-------	-------	-------	-------

PARZIALI TERRENO

3.00	3.00	3.00	3.00	3.00	3.00	3.00	3.00	3.00	3.00	3.00	3.00	3.00	3.00	3.00	3.00	3.00	3.00	3.00	3.00	3.00	3.00	3.00
------	------	------	------	------	------	------	------	------	------	------	------	------	------	------	------	------	------	------	------	------	------	------

QUOTE TERRENO

210.51	210.35	210.18	210.01	209.84	209.67	209.50	209.33	209.16	208.99	208.85	208.70	208.55	208.39	208.22	208.04	207.81	207.56	207.39	207.71	207.68	207.61	207.48
--------	--------	--------	--------	--------	--------	--------	--------	--------	--------	--------	--------	--------	--------	--------	--------	--------	--------	--------	--------	--------	--------	--------

PROGRESSIVE PROGETTO

												-3.30	-0.70	0.00	3.75	7.50	10.50	11.75		19.25	21.25	21.30	
--	--	--	--	--	--	--	--	--	--	--	--	-------	-------	------	------	------	-------	-------	--	-------	-------	-------	--

PARZIALI PROGETTO

												2.60	0.70	3.75	3.75	3.00	1.25	7.50		2.00	0.05	
--	--	--	--	--	--	--	--	--	--	--	--	------	------	------	------	------	------	------	--	------	------	--

QUOTE PROGETTO

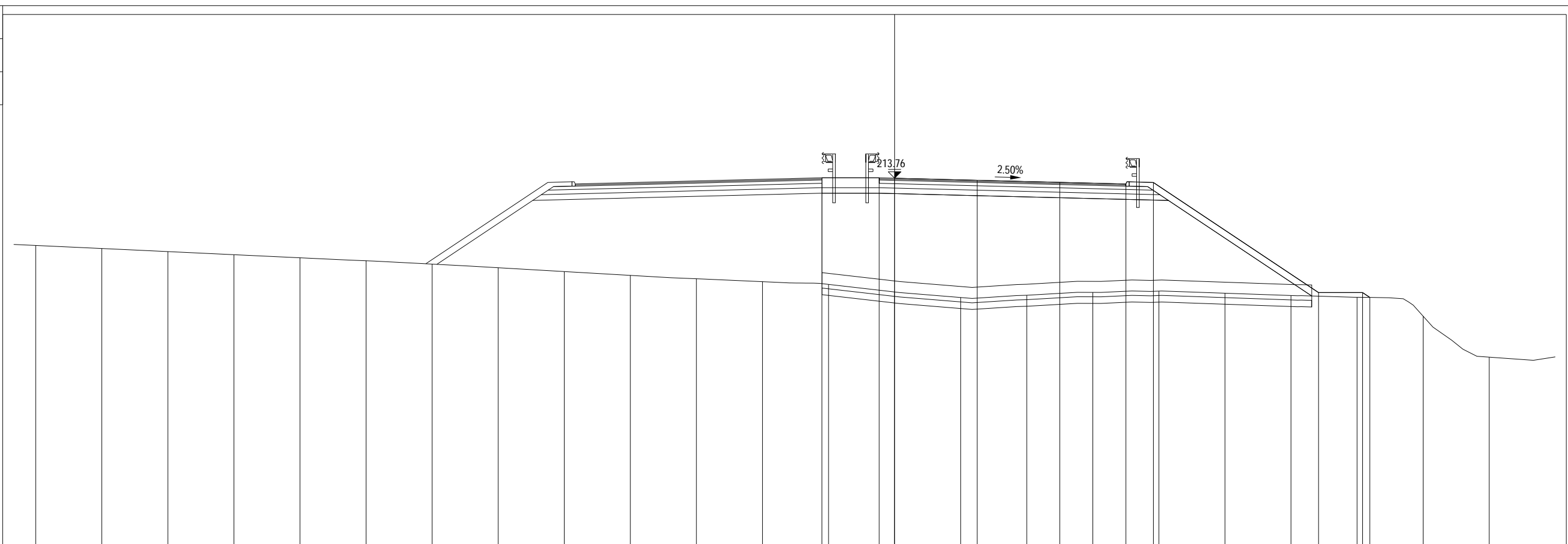
												212.93	212.93	212.91	212.82	212.72	212.65	212.72		207.72	207.72	207.68	
--	--	--	--	--	--	--	--	--	--	--	--	--------	--------	--------	--------	--------	--------	--------	--	--------	--------	--------	--

PROFILO 2.6a\_CUNEO

SEZIONE 145

PROGRESSIVA 2877.50

A RILEVATO	m <sup>2</sup>	82.59
AN ANTICAPILLARE	m <sup>2</sup>	11.16
C BINDER	m <sup>2</sup>	0.56
D BASE	m <sup>2</sup>	1.86
MC MISTO CEMENTATO	m <sup>2</sup>	3.70
MS MISTO STABILIZZATO	m <sup>2</sup>	3.90
VR VEGETALE RIL	m <sup>2</sup>	2.99
a USURA	m	11.20
br BONIFICA	m	22.32
sc SCOTICO	m	22.32
tn TNT	m	22.29



PROGRESSIVE TERRENO

-39.00	-36.00	-33.00	-30.00	-27.00	-24.00	-21.00	-18.00	-15.00	-12.00	-9.00	-6.00	-3.00	0.00	3.00	6.00	9.00	12.00	15.00	18.00	21.00	24.00	27.00
--------	--------	--------	--------	--------	--------	--------	--------	--------	--------	-------	-------	-------	------	------	------	------	-------	-------	-------	-------	-------	-------

PARZIALI TERRENO

3.00	3.00	3.00	3.00	3.00	3.00	3.00	3.00	3.00	3.00	3.00	3.00	3.00	3.00	3.00	3.00	3.00	3.00	3.00	3.00	3.00	3.00	3.00
------	------	------	------	------	------	------	------	------	------	------	------	------	------	------	------	------	------	------	------	------	------	------

QUOTE TERRENO

210.71	210.57	210.43	210.29	210.15	210.02	209.86	209.70	209.52	209.35	209.20	209.07	208.94	208.60	208.35	208.45	208.58	208.64	208.54	208.44	208.36	207.50	205.64
--------	--------	--------	--------	--------	--------	--------	--------	--------	--------	--------	--------	--------	--------	--------	--------	--------	--------	--------	--------	--------	--------	--------

PROGRESSIVE PROGETTO

												-3.30	-0.70	0.00	3.75	7.50	10.50	11.75		19.25	21.25	21.58
--	--	--	--	--	--	--	--	--	--	--	--	-------	-------	------	------	------	-------	-------	--	-------	-------	-------

PARZIALI PROGETTO

												2.60	0.70	3.75	3.75	3.00	1.25	7.50	2.00	0.33	
--	--	--	--	--	--	--	--	--	--	--	--	------	------	------	------	------	------	------	------	------	--

QUOTE PROGETTO

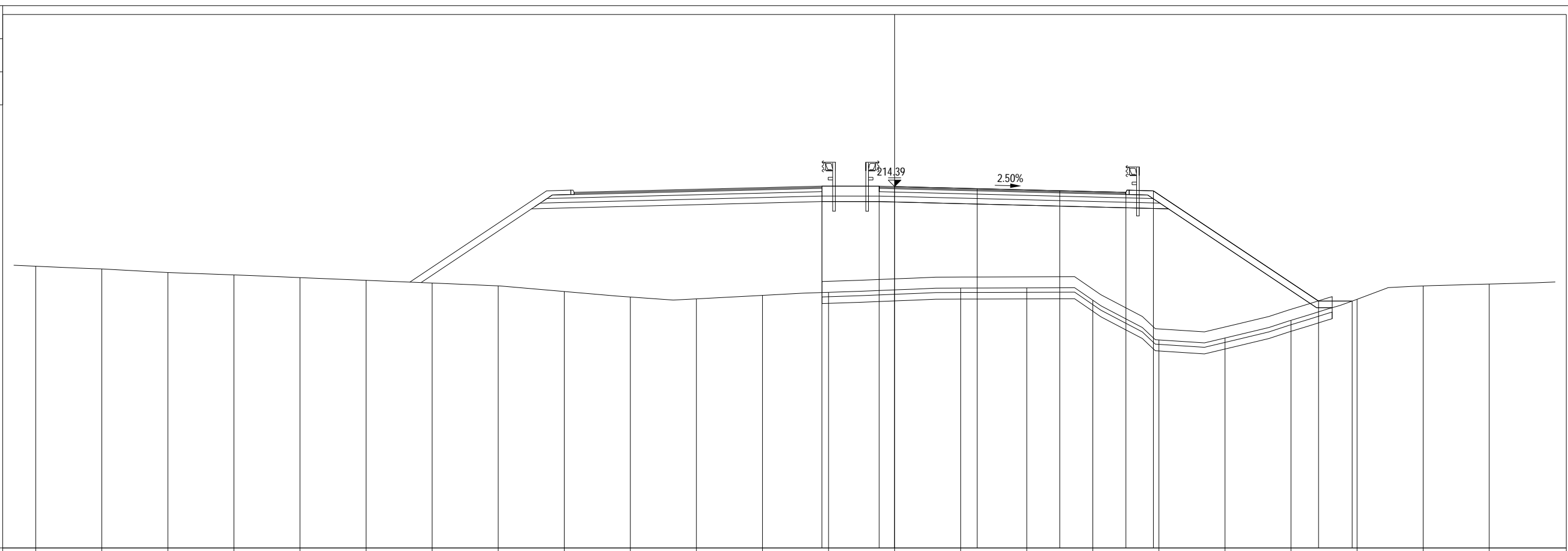
												213.78	213.78	213.76	213.67	213.58	213.50	213.57	208.57	208.57	208.35
--	--	--	--	--	--	--	--	--	--	--	--	--------	--------	--------	--------	--------	--------	--------	--------	--------	--------

PROFILO 2.6a\_CUNEO

SEZIONE 146

PROGRESSIVA 2892.25

A RILEVATO	m <sup>2</sup>	88.45
AN ANTICAPILLARE	m <sup>2</sup>	11.77
C BINDER	m <sup>2</sup>	0.56
D BASE	m <sup>2</sup>	1.85
MC MISTO CEMENTATO	m <sup>2</sup>	3.70
MS MISTO STABILIZZATO	m <sup>2</sup>	3.90
VR VEGETALE RIL	m <sup>2</sup>	3.20
a USURA	m	11.20
br BONIFICA	m	24.48
sc SCOTICO	m	24.48
tn TNT	m	23.55



198  
200

PROGRESSIVE TERRENO

-39.00	-36.00	-33.00	-30.00	-27.00	-24.00	-21.00	-18.00	-15.00	-12.00	-9.00	-6.00	-3.00	0.00	3.00	6.00	9.00	12.00	15.00	18.00	21.00	24.00	27.00
--------	--------	--------	--------	--------	--------	--------	--------	--------	--------	-------	-------	-------	------	------	------	------	-------	-------	-------	-------	-------	-------

PARZIALI TERRENO

3.00	3.00	3.00	3.00	3.00	3.00	3.00	3.00	3.00	3.00	3.00	3.00	3.00	3.00	3.00	3.00	3.00	3.00	3.00	3.00	3.00	3.00	3.00
------	------	------	------	------	------	------	------	------	------	------	------	------	------	------	------	------	------	------	------	------	------	------

QUOTE TERRENO

210.78	210.66	210.49	210.39	210.26	210.14	210.02	209.89	209.63	209.38	209.30	209.46	209.60	209.71	209.79	209.80	209.24	207.44	207.52	208.33	209.28	209.89	209.97
--------	--------	--------	--------	--------	--------	--------	--------	--------	--------	--------	--------	--------	--------	--------	--------	--------	--------	--------	--------	--------	--------	--------

PROGRESSIVE PROGETTO

												-3.30	-0.70	0.00	3.75	7.50	10.50	11.75		19.25	20.78	
--	--	--	--	--	--	--	--	--	--	--	--	-------	-------	------	------	------	-------	-------	--	-------	-------	--

PARZIALI PROGETTO

												2.60	0.70	3.75	3.75	3.00	1.25	7.50		1.53		
--	--	--	--	--	--	--	--	--	--	--	--	------	------	------	------	------	------	------	--	------	--	--

QUOTE PROGETTO

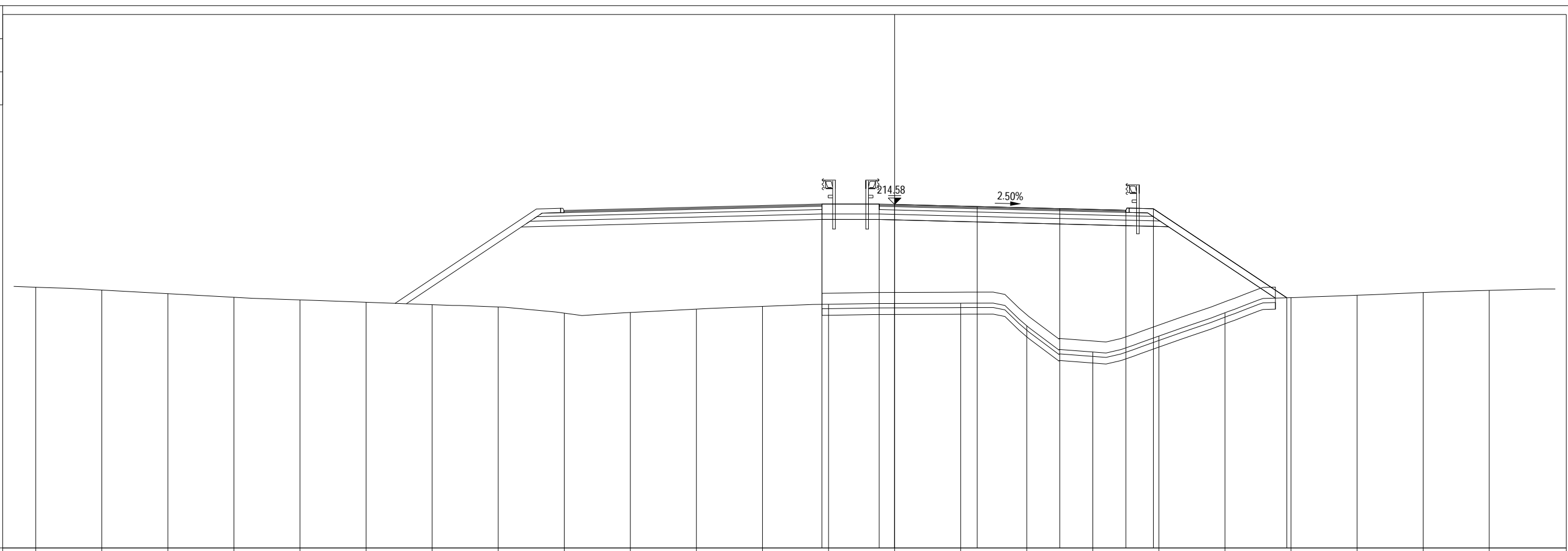
												214.41	214.41	214.39	214.30	214.21	214.13	214.20		209.20	209.20	
--	--	--	--	--	--	--	--	--	--	--	--	--------	--------	--------	--------	--------	--------	--------	--	--------	--------	--

PROFILO 2.6a\_CUNEO

SEZIONE 147

PROGRESSIVA 2896.67

A RILEVATO	m <sup>2</sup>	81.92
AN ANTICAPILLARE	m <sup>2</sup>	10.28
C BINDER	m <sup>2</sup>	0.56
D BASE	m <sup>2</sup>	1.86
MC MISTO CEMENTATO	m <sup>2</sup>	3.70
MS MISTO STABILIZZATO	m <sup>2</sup>	3.89
VR VEGETALE RIL	m <sup>2</sup>	2.36
a USURA	m	11.20
br BONIFICA	m	21.82
sc SCOTICO	m	21.82
tn TNT	m	20.64



PROGRESSIVE TERRENO

-39.00	-36.00	-33.00	-30.00	-27.00	-24.00	-21.00	-18.00	-15.00	-12.00	-9.00	-6.00	-3.00	0.00	3.00	6.00	9.00	12.00	15.00	18.00	21.00	24.00	27.00
--------	--------	--------	--------	--------	--------	--------	--------	--------	--------	-------	-------	-------	------	------	------	------	-------	-------	-------	-------	-------	-------

PARZIALI TERRENO

3.00	3.00	3.00	3.00	3.00	3.00	3.00	3.00	3.00	3.00	3.00	3.00	3.00	3.00	3.00	3.00	3.00	3.00	3.00	3.00	3.00	3.00	3.00
------	------	------	------	------	------	------	------	------	------	------	------	------	------	------	------	------	------	------	------	------	------	------

QUOTE TERRENO

210.83	210.70	210.53	210.37	210.25	210.14	210.03	209.93	209.65	209.66	209.83	209.96	210.05	210.09	210.10	209.08	207.89	208.61	209.67	210.35	210.46	210.59	210.68
--------	--------	--------	--------	--------	--------	--------	--------	--------	--------	--------	--------	--------	--------	--------	--------	--------	--------	--------	--------	--------	--------	--------

PROGRESSIVE PROGETTO

												-3.30	-0.70	0.00	3.75	7.50	10.50	11.75		17.81		
--	--	--	--	--	--	--	--	--	--	--	--	-------	-------	------	------	------	-------	-------	--	-------	--	--

PARZIALI PROGETTO

												2.60	0.70	3.75	3.75	3.00	1.25	6.06				
--	--	--	--	--	--	--	--	--	--	--	--	------	------	------	------	------	------	------	--	--	--	--

QUOTE PROGETTO

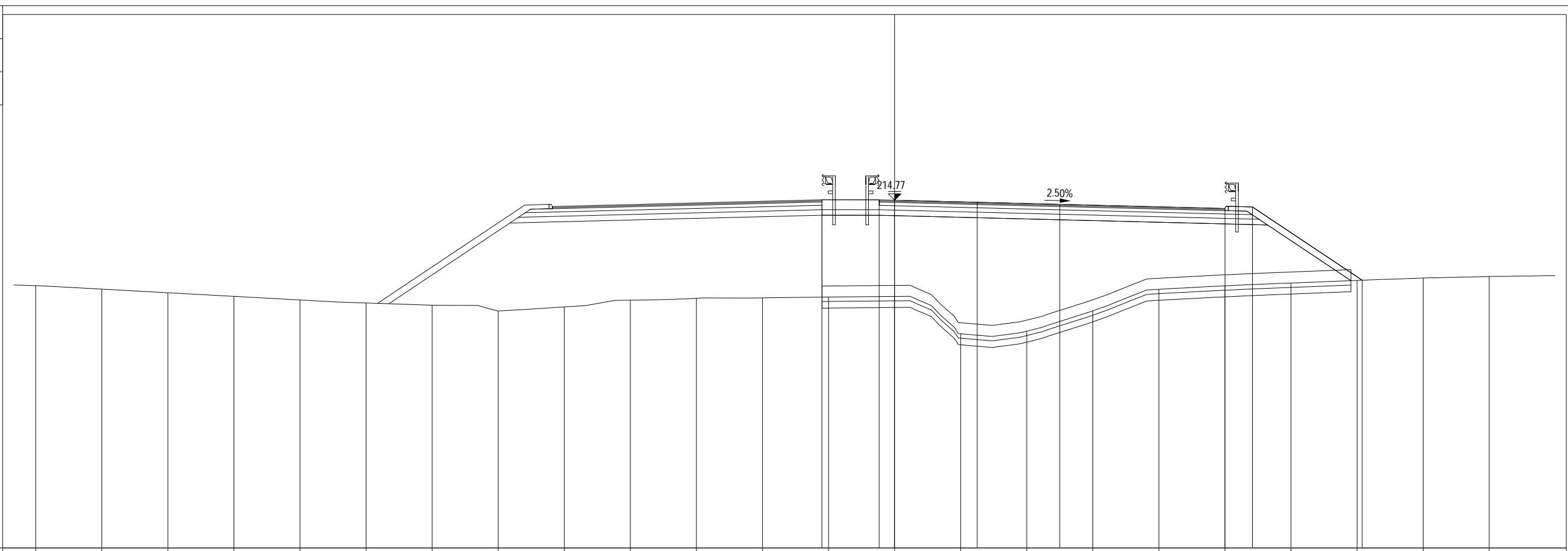
												214.60	214.60	214.58	214.49	214.40	214.32	214.39		210.35		
--	--	--	--	--	--	--	--	--	--	--	--	--------	--------	--------	--------	--------	--------	--------	--	--------	--	--

PROFILO 2.6a\_CUNEO

SEZIONE 148

PROGRESSIVA 2901.17

A RILEVATO	m <sup>2</sup>	84.14
AN ANTICAPILLARE	m <sup>2</sup>	12.05
C BINDER	m <sup>2</sup>	0.79
D BASE	m <sup>2</sup>	2.54
MC MISTO CEMENTATO	m <sup>2</sup>	4.59
MS MISTO STABILIZZATO	m <sup>2</sup>	5.02
VR VEGETALE RIL	m <sup>2</sup>	1.96
a USURA	m	15.70
br BONIFICA	m	25.05
sc SCOTICO	m	25.05
tn TNT	m	24.07



PROGRESSIVE TERRENO

-39.00	-36.00	-33.00	-30.00	-27.00	-24.00	-21.00	-18.00	-15.00	-12.00	-9.00	-6.00	-3.00	0.00	3.00	6.00	9.00	12.00	15.00	18.00	21.00	24.00	27.00
--------	--------	--------	--------	--------	--------	--------	--------	--------	--------	-------	-------	-------	------	------	------	------	-------	-------	-------	-------	-------	-------

PARZIALI TERRENO

3.00	3.00	3.00	3.00	3.00	3.00	3.00	3.00	3.00	3.00	3.00	3.00	3.00	3.00	3.00	3.00	3.00	3.00	3.00	3.00	3.00	3.00	3.00
------	------	------	------	------	------	------	------	------	------	------	------	------	------	------	------	------	------	------	------	------	------	------

QUOTE TERRENO

210.90	210.74	210.58	210.41	210.25	210.11	210.01	209.75	209.93	210.24	210.32	210.34	210.38	210.41	208.72	208.84	209.76	210.73	210.89	211.02	211.14	211.24	211.31
--------	--------	--------	--------	--------	--------	--------	--------	--------	--------	--------	--------	--------	--------	--------	--------	--------	--------	--------	--------	--------	--------	--------

PROGRESSIVE PROGETTO

												-3.30	-0.70	0.00	3.75	7.50		15.00	16.25	21.23		
--	--	--	--	--	--	--	--	--	--	--	--	-------	-------	------	------	------	--	-------	-------	-------	--	--

PARZIALI PROGETTO

												2.60	0.70	3.75	3.75	7.50		1.25	4.98			
--	--	--	--	--	--	--	--	--	--	--	--	------	------	------	------	------	--	------	------	--	--	--

QUOTE PROGETTO

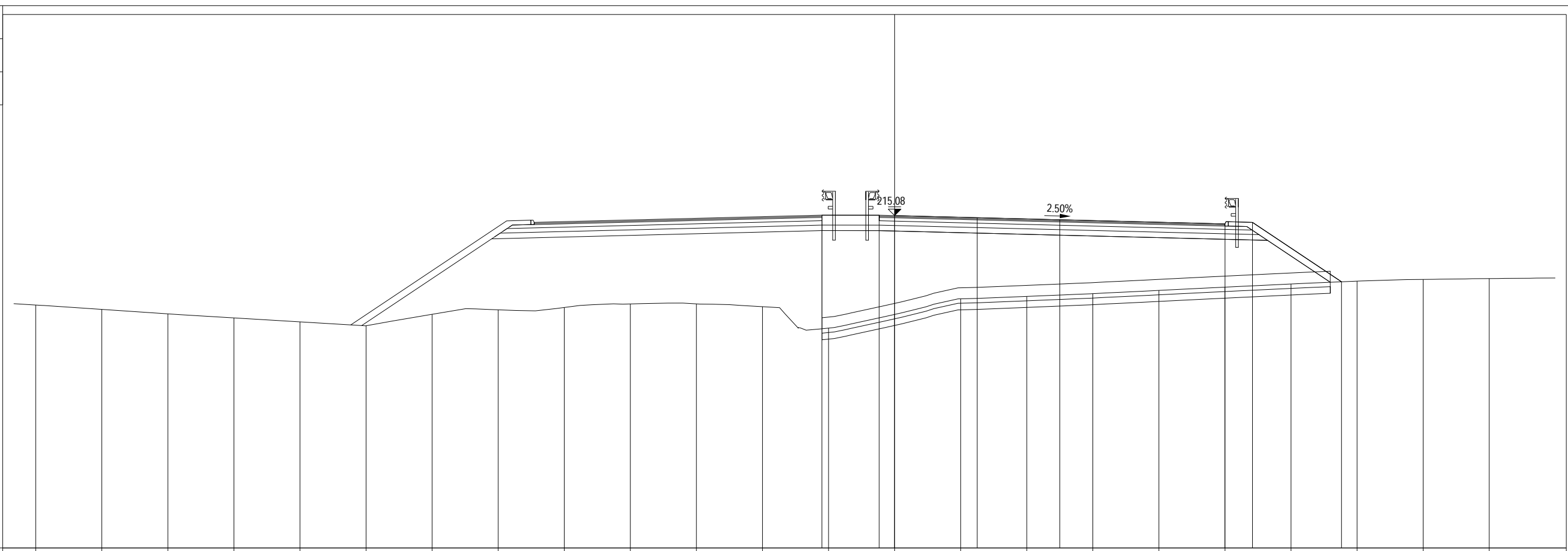
												214.79	214.79	214.77	214.68	214.59		214.40	214.47	211.15		
--	--	--	--	--	--	--	--	--	--	--	--	--------	--------	--------	--------	--------	--	--------	--------	--------	--	--

PROFILO 2.6a\_CUNEO

SEZIONE 149

PROGRESSIVA 2908.25

A RILEVATO	m <sup>2</sup>	62.04
AN ANTICAPILLARE	m <sup>2</sup>	11.54
C BINDER	m <sup>2</sup>	0.79
D BASE	m <sup>2</sup>	2.53
MC MISTO CEMENTATO	m <sup>2</sup>	4.60
MS MISTO STABILIZZATO	m <sup>2</sup>	5.03
VR VEGETALE RIL	m <sup>2</sup>	1.64
a USURA	m	15.70
br BONIFICA	m	23.28
sc SCOTICO	m	23.28
tn TNT	m	23.13



200  
200

PROGRESSIVE TERRENO

-39.00	-36.00	-33.00	-30.00	-27.00	-24.00	-21.00	-18.00	-15.00	-12.00	-9.00	-6.00	-3.00	0.00	3.00	6.00	9.00	12.00	15.00	18.00	21.00	24.00	27.00
--------	--------	--------	--------	--------	--------	--------	--------	--------	--------	-------	-------	-------	------	------	------	------	-------	-------	-------	-------	-------	-------

PARZIALI TERRENO

3.00	3.00	3.00	3.00	3.00	3.00	3.00	3.00	3.00	3.00	3.00	3.00	3.00	3.00	3.00	3.00	3.00	3.00	3.00	3.00	3.00	3.00	3.00
------	------	------	------	------	------	------	------	------	------	------	------	------	------	------	------	------	------	------	------	------	------	------

QUOTE TERRENO

211.02	210.82	210.62	210.44	210.26	210.08	210.60	210.80	210.91	211.07	211.07	210.94	209.97	210.59	211.30	211.41	211.53	211.68	211.83	211.97	212.10	212.18	212.22
--------	--------	--------	--------	--------	--------	--------	--------	--------	--------	--------	--------	--------	--------	--------	--------	--------	--------	--------	--------	--------	--------	--------

PROGRESSIVE PROGETTO

												-3.30	-0.70	0.00	3.75	7.50		15.00	16.25	20.29		
--	--	--	--	--	--	--	--	--	--	--	--	-------	-------	------	------	------	--	-------	-------	-------	--	--

PARZIALI PROGETTO

												2.60	0.70	3.75	3.75	7.50		1.25	4.04			
--	--	--	--	--	--	--	--	--	--	--	--	------	------	------	------	------	--	------	------	--	--	--

QUOTE PROGETTO

												215.10	215.09	215.08	214.98	214.89		214.70	214.77	212.07		
--	--	--	--	--	--	--	--	--	--	--	--	--------	--------	--------	--------	--------	--	--------	--------	--------	--	--

PROFILO 2.6a\_CUNEO

SEZIONE 150

PROGRESSIVA 2922.25

A RILEVATO	m <sup>2</sup>	29.56
AN ANTICAPILLARE	m <sup>2</sup>	10.19
C BINDER	m <sup>2</sup>	0.74
D BASE	m <sup>2</sup>	2.38
MC MISTO CEMENTATO	m <sup>2</sup>	4.40
MS MISTO STABILIZZATO	m <sup>2</sup>	4.77
VR VEGETALE RIL	m <sup>2</sup>	0.95
a USURA	m	14.70
br BONIFICA	m	20.36
sc SCOTICO	m	20.36
tn TNT	m	20.35



PROGRESSIVE TERRENO

-39.00	-36.00	-33.00	-30.00	-27.00	-24.00	-21.00	-18.00	-15.00	-12.00	-9.00	-6.00	-3.00	0.00	3.00	6.00	9.00	12.00	15.00	18.00	21.00	24.00	27.00
--------	--------	--------	--------	--------	--------	--------	--------	--------	--------	-------	-------	-------	------	------	------	------	-------	-------	-------	-------	-------	-------

PARZIALI TERRENO

3.00	3.00	3.00	3.00	3.00	3.00	3.00	3.00	3.00	3.00	3.00	3.00	3.00	3.00	3.00	3.00	3.00	3.00	3.00	3.00	3.00	3.00	3.00
------	------	------	------	------	------	------	------	------	------	------	------	------	------	------	------	------	------	------	------	------	------	------

QUOTE TERRENO

211.20	210.98	211.33	211.82	212.05	212.06	212.25	212.59	212.61	212.60	212.60	212.68	212.81	212.96	213.15	213.33	213.46	213.52	213.72	213.91	214.04	214.12	214.15
--------	--------	--------	--------	--------	--------	--------	--------	--------	--------	--------	--------	--------	--------	--------	--------	--------	--------	--------	--------	--------	--------	--------

PROGRESSIVE PROGETTO

												-3.30	-0.70	0.00	3.75	7.50		14.00	15.25	17.51		
--	--	--	--	--	--	--	--	--	--	--	--	-------	-------	------	------	------	--	-------	-------	-------	--	--

PARZIALI PROGETTO

												2.60	0.70	3.75	3.75	6.50		1.25	2.26			
--	--	--	--	--	--	--	--	--	--	--	--	------	------	------	------	------	--	------	------	--	--	--

QUOTE PROGETTO

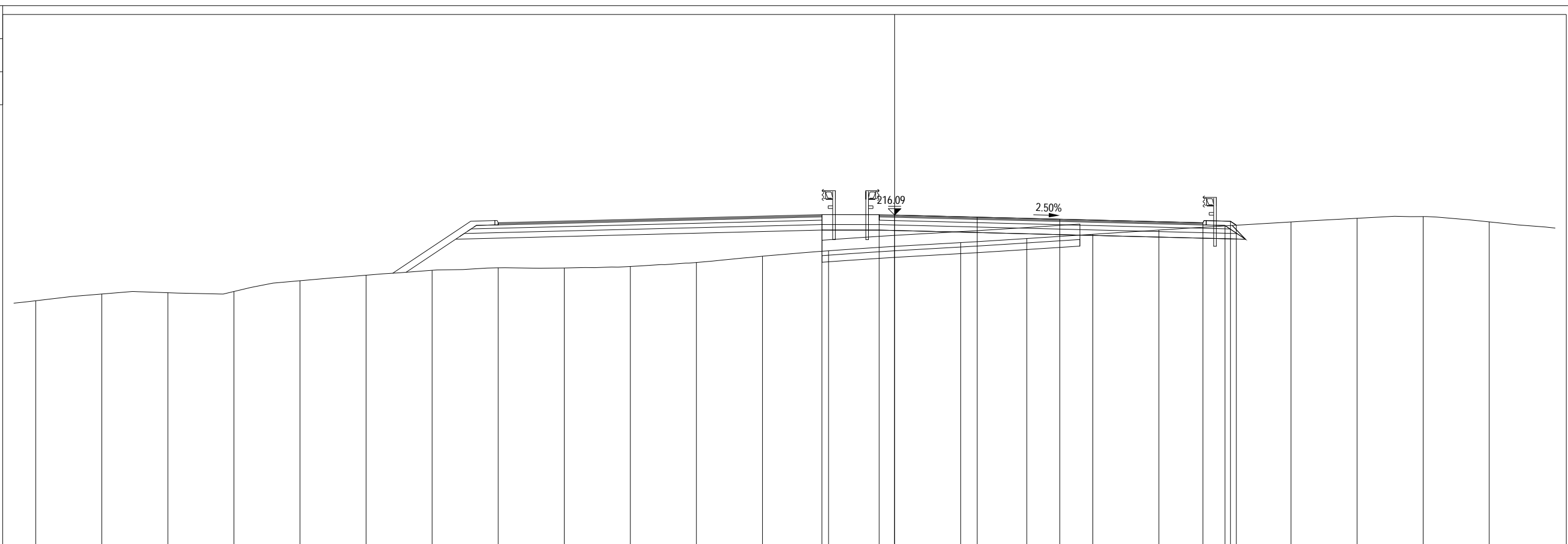
												215.69	215.69	215.67	215.58	215.48		215.32	215.39	213.88		
--	--	--	--	--	--	--	--	--	--	--	--	--------	--------	--------	--------	--------	--	--------	--------	--------	--	--

PROFILO 2.6a\_CUNEO

SEZIONE 151

PROGRESSIVA 2932.50

A RILEVATO	m <sup>2</sup>	5.89
AN ANTICAPILLARE	m <sup>2</sup>	5.83
B SCAVO	m <sup>2</sup>	2.23
C BINDER	m <sup>2</sup>	0.73
D BASE	m <sup>2</sup>	2.39
MC MISTO CEMENTATO	m <sup>2</sup>	4.40
MS MISTO STABILIZZATO	m <sup>2</sup>	4.77
VR VEGETALE RIL	m <sup>2</sup>	0.26
a USURA	m	14.70
br BONIFICA	m	11.71
sc SCOTICO	m	11.71
tn TNT	m	11.71



201  
200

PROGRESSIVE TERRENO

-39.00	-36.00	-33.00	-30.00	-27.00	-24.00	-21.00	-18.00	-15.00	-12.00	-9.00	-6.00	-3.00	0.00	3.00	6.00	9.00	12.00	15.00	18.00	21.00	24.00	27.00
--------	--------	--------	--------	--------	--------	--------	--------	--------	--------	-------	-------	-------	------	------	------	------	-------	-------	-------	-------	-------	-------

PARZIALI TERRENO

3.00	3.00	3.00	3.00	3.00	3.00	3.00	3.00	3.00	3.00	3.00	3.00	3.00	3.00	3.00	3.00	3.00	3.00	3.00	3.00	3.00	3.00	3.00
------	------	------	------	------	------	------	------	------	------	------	------	------	------	------	------	------	------	------	------	------	------	------

QUOTE TERRENO

212.20	212.50	212.56	212.62	213.11	213.36	213.58	213.69	213.69	213.76	213.94	214.22	214.47	214.67	214.84	215.02	215.22	215.41	215.60	215.78	215.94	216.02	215.78
--------	--------	--------	--------	--------	--------	--------	--------	--------	--------	--------	--------	--------	--------	--------	--------	--------	--------	--------	--------	--------	--------	--------

PROGRESSIVE PROGETTO

												-3.30	-0.70	0.00	3.75	7.50		14.00	15.25	15.52		
--	--	--	--	--	--	--	--	--	--	--	--	-------	-------	------	------	------	--	-------	-------	-------	--	--

PARZIALI PROGETTO

												2.60	0.70	3.75	3.75	6.50		1.25	0.27			
--	--	--	--	--	--	--	--	--	--	--	--	------	------	------	------	------	--	------	------	--	--	--

QUOTE PROGETTO

												216.11	216.11	216.09	216.00	215.90		215.74	215.81	215.63		
--	--	--	--	--	--	--	--	--	--	--	--	--------	--------	--------	--------	--------	--	--------	--------	--------	--	--

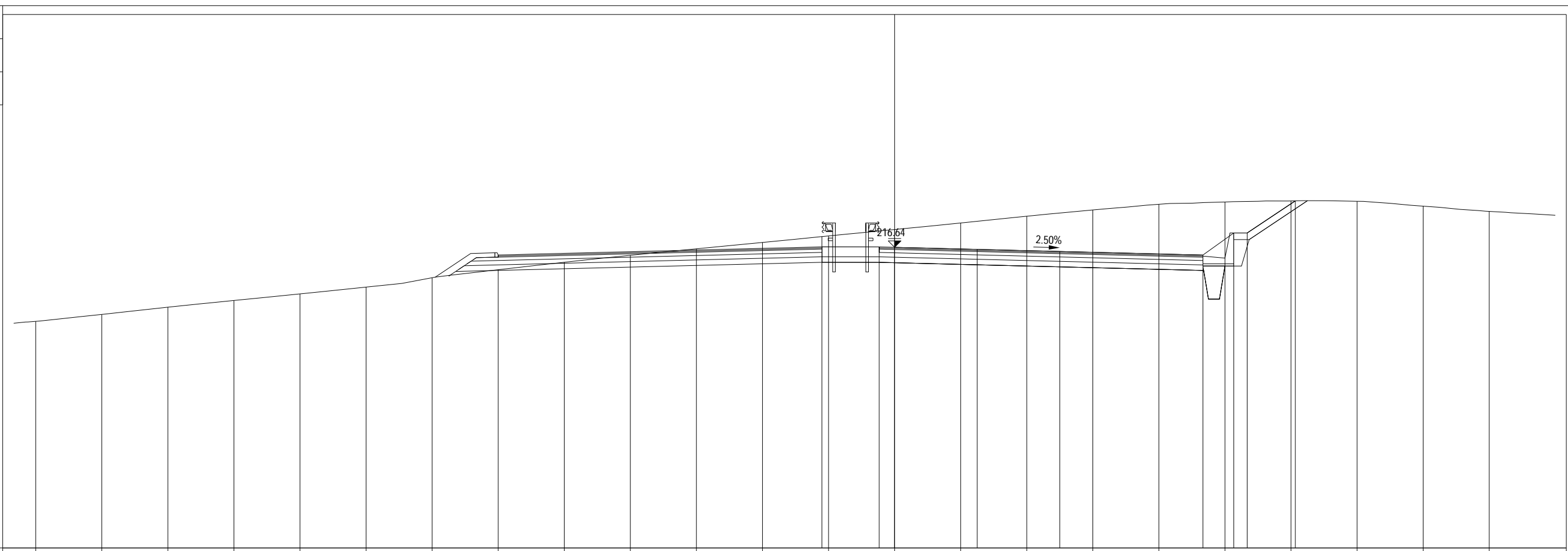


PROFILO 2.6a\_CUNEO

SEZIONE 152

PROGRESSIVA 2946.25

B SCAVO	m <sup>2</sup>	46.72
C BINDER	m <sup>2</sup>	0.74
D BASE	m <sup>2</sup>	2.20
MC MISTO CEMENTATO	m <sup>2</sup>	4.11
MS MISTO STABILIZZATO	m <sup>2</sup>	5.46
VT VEGETALE TRINCEA	m <sup>2</sup>	1.08
a USURA	m	14.70



203  
200

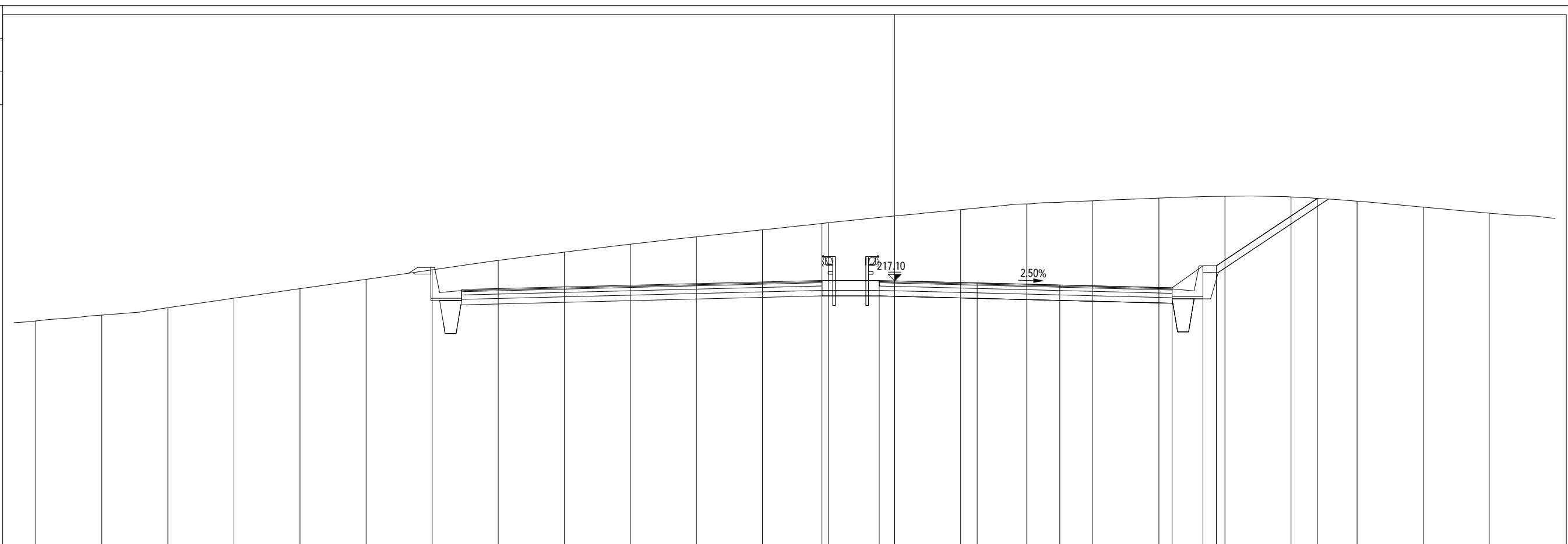
PROGRESSIVE TERRENO	-39.00	-36.00	-33.00	-30.00	-27.00	-24.00	-21.00	-18.00	-15.00	-12.00	-9.00	-6.00	-3.00	0.00	3.00	6.00	9.00	12.00	15.00	18.00	21.00	24.00	27.00
PARZIALI TERRENO		3.00	3.00	3.00	3.00	3.00	3.00	3.00	3.00	3.00	3.00	3.00	3.00	3.00	3.00	3.00	3.00	3.00	3.00	3.00	3.00	3.00	3.00
QUOTE TERRENO	213.28	213.59	213.92	214.23	214.52	214.83	215.26	215.62	215.96	216.27	216.57	216.86	217.15	217.45	217.74	218.05	218.33	218.59	218.69	218.74	218.73	218.50	218.27
PROGRESSIVE PROGETTO													-3.30	-0.70	0.00	3.75	7.50		14.00	15.40	16.01	18.20	
PARZIALI PROGETTO													2.60	0.70	3.75	3.75	6.50		1.40	0.61	2.19		
QUOTE PROGETTO													216.66	216.66	216.64	216.54	216.45		216.29	217.29	217.29	218.75	

PROFILO 2.6a\_CUNEO

SEZIONE 153

PROGRESSIVA 2958.26

B SCAVO	m <sup>2</sup>	85.17
C BINDER	m <sup>2</sup>	0.67
D BASE	m <sup>2</sup>	1.99
MC MISTO CEMENTATO	m <sup>2</sup>	3.83
MS MISTO STABILIZZATO	m <sup>2</sup>	5.12
VT VEGETALE TRINCEA	m <sup>2</sup>	1.93
a USURA	m	13.30



205

200

PROGRESSIVE TERRENO	-39.00	-36.00	-33.00	-30.00	-27.00	-24.00	-21.00	-18.00	-15.00	-12.00	-9.00	-6.00	-3.00	0.00	3.00	6.00	9.00	12.00	15.00	18.00	21.00	24.00	27.00
PARZIALI TERRENO		3.00	3.00	3.00	3.00	3.00	3.00	3.00	3.00	3.00	3.00	3.00	3.00	3.00	3.00	3.00	3.00	3.00	3.00	3.00	3.00	3.00	3.00
QUOTE TERRENO	215.28	215.55	215.89	216.32	216.75	217.17	217.60	218.03	218.41	218.77	219.10	219.42	219.74	220.05	220.34	220.60	220.74	220.86	220.94	220.91	220.72	220.45	220.18
PROGRESSIVE PROGETTO													-3.30	-0.70	0.00	3.75	7.50	12.60	14.00	14.61		19.20	
PARZIALI PROGETTO													2.60	0.70	3.75	3.75	5.10	1.40	0.61	4.59			
QUOTE PROGETTO													217.12	217.12	217.10	217.01	216.91	216.79	217.79	217.79		220.85	

PROFILO 2.6a\_CUNEO

SEZIONE 154

PROGRESSIVA 2967.91

B SCAVO	m <sup>2</sup>	110.42
C BINDER	m <sup>2</sup>	0.61
D BASE	m <sup>2</sup>	1.83
MC MISTO CEMENTATO	m <sup>2</sup>	3.60
MS MISTO STABILIZZATO	m <sup>2</sup>	4.82
VT VEGETALE TRINCEA	m <sup>2</sup>	2.47
a USURA	m	12.17



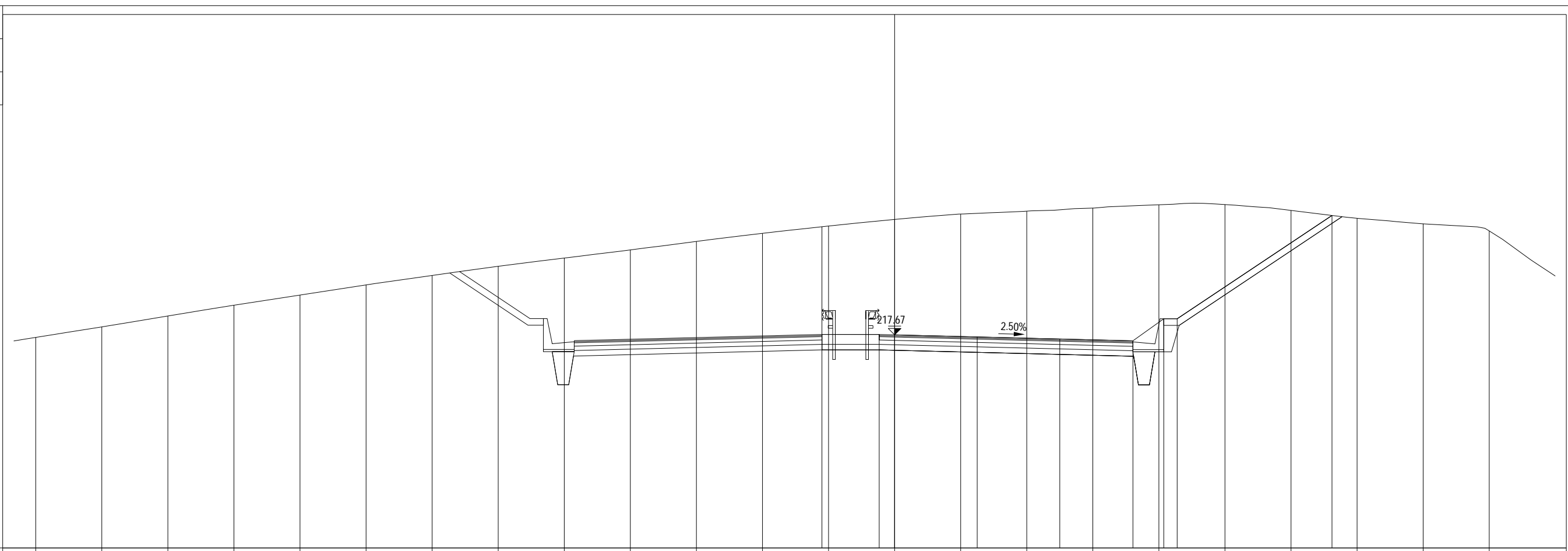
PROGRESSIVE TERRENO	-39.00	-36.00	-33.00	-30.00	-27.00	-24.00	-21.00	-18.00	-15.00	-12.00	-9.00	-6.00	-3.00	0.00	3.00	6.00	9.00	12.00	15.00	18.00	21.00	24.00	27.00
PARZIALI TERRENO		3.00	3.00	3.00	3.00	3.00	3.00	3.00	3.00	3.00	3.00	3.00	3.00	3.00	3.00	3.00	3.00	3.00	3.00	3.00	3.00	3.00	3.00
QUOTE TERRENO	216.60	217.10	217.58	218.07	218.54	219.02	219.44	219.81	220.14	220.50	220.86	221.22	221.57	221.91	222.18	222.35	222.44	222.56	222.57	222.39	222.14	221.86	221.58
PROGRESSIVE PROGETTO													-3.30	-0.70	0.00	3.75	7.50	11.47	12.87	13.48		19.61	
PARZIALI PROGETTO													2.60	0.70	3.75	3.75	3.97	1.40	0.61	6.13			
QUOTE PROGETTO													217.48	217.48	217.46	217.37	217.27	217.18	218.18	218.18		222.26	

PROFILO 2.6a\_CUNEO

SEZIONE 155

PROGRESSIVA 2973.50

B SCAVO	m <sup>2</sup>	124.42
C BINDER	m <sup>2</sup>	0.57
D BASE	m <sup>2</sup>	1.73
MC MISTO CEMENTATO	m <sup>2</sup>	3.47
MS MISTO STABILIZZATO	m <sup>2</sup>	4.66
VT VEGETALE TRINCEA	m <sup>2</sup>	2.78
a USURA	m	11.52



PROGRESSIVE TERRENO

-39.00	-36.00	-33.00	-30.00	-27.00	-24.00	-21.00	-18.00	-15.00	-12.00	-9.00	-6.00	-3.00	0.00	3.00	6.00	9.00	12.00	15.00	18.00	21.00	24.00	27.00
--------	--------	--------	--------	--------	--------	--------	--------	--------	--------	-------	-------	-------	------	------	------	------	-------	-------	-------	-------	-------	-------

PARZIALI TERRENO

3.00	3.00	3.00	3.00	3.00	3.00	3.00	3.00	3.00	3.00	3.00	3.00	3.00	3.00	3.00	3.00	3.00	3.00	3.00	3.00	3.00	3.00	3.00
------	------	------	------	------	------	------	------	------	------	------	------	------	------	------	------	------	------	------	------	------	------	------

QUOTE TERRENO

217.55	218.03	218.52	219.01	219.47	219.93	220.36	220.78	221.15	221.52	221.91	222.27	222.60	222.90	223.15	223.28	223.42	223.57	223.58	223.31	222.95	222.70	222.38
--------	--------	--------	--------	--------	--------	--------	--------	--------	--------	--------	--------	--------	--------	--------	--------	--------	--------	--------	--------	--------	--------	--------

PROGRESSIVE PROGETTO

								-3.30	-0.70	0.00		3.75		7.50		10.82	12.22	12.83		19.86		
--	--	--	--	--	--	--	--	-------	-------	------	--	------	--	------	--	-------	-------	-------	--	-------	--	--

PARZIALI PROGETTO

								2.60	0.70	3.75		3.75		3.32		1.40	0.61	7.03				
--	--	--	--	--	--	--	--	------	------	------	--	------	--	------	--	------	------	------	--	--	--	--

QUOTE PROGETTO

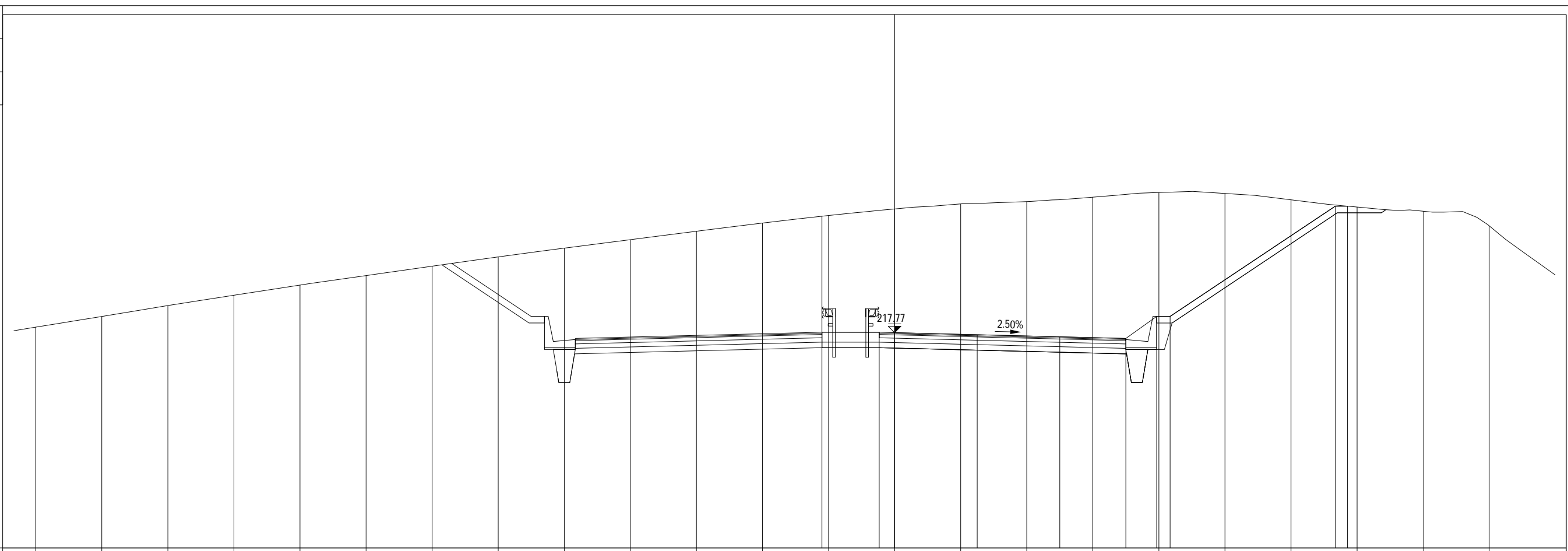
								217.69	217.68	217.67		217.57		217.48		217.40	218.40	218.40		223.08		
--	--	--	--	--	--	--	--	--------	--------	--------	--	--------	--	--------	--	--------	--------	--------	--	--------	--	--

PROFILO 2.6a\_CUNEO

SEZIONE 156

PROGRESSIVA 2976.25

B SCAVO	m <sup>2</sup>	131.87
C BINDER	m <sup>2</sup>	0.56
D BASE	m <sup>2</sup>	1.68
MC MISTO CEMENTATO	m <sup>2</sup>	3.41
MS MISTO STABILIZZATO	m <sup>2</sup>	4.59
VT VEGETALE TRINCEA	m <sup>2</sup>	3.35
a USURA	m	11.20



PROGRESSIVE TERRENO

-39.00	-36.00	-33.00	-30.00	-27.00	-24.00	-21.00	-18.00	-15.00	-12.00	-9.00	-6.00	-3.00	0.00	3.00	6.00	9.00	12.00	15.00	18.00	21.00	24.00	27.00
--------	--------	--------	--------	--------	--------	--------	--------	--------	--------	-------	-------	-------	------	------	------	------	-------	-------	-------	-------	-------	-------

PARZIALI TERRENO

3.00	3.00	3.00	3.00	3.00	3.00	3.00	3.00	3.00	3.00	3.00	3.00	3.00	3.00	3.00	3.00	3.00	3.00	3.00	3.00	3.00	3.00	3.00
------	------	------	------	------	------	------	------	------	------	------	------	------	------	------	------	------	------	------	------	------	------	------

QUOTE TERRENO

218.02	218.50	219.00	219.46	219.93	220.35	220.76	221.20	221.60	221.98	222.37	222.74	223.08	223.38	223.61	223.71	223.91	224.13	224.08	223.79	223.47	223.28	222.61
--------	--------	--------	--------	--------	--------	--------	--------	--------	--------	--------	--------	--------	--------	--------	--------	--------	--------	--------	--------	--------	--------	--------

PROGRESSIVE PROGETTO

								-3.30	-0.70	0.00		3.75		7.50	10.50	11.90	12.51			20.01	20.56	
--	--	--	--	--	--	--	--	-------	-------	------	--	------	--	------	-------	-------	-------	--	--	-------	-------	--

PARZIALI PROGETTO

								2.60	0.70	3.75		3.75		3.00	1.40	0.61		7.50		0.55	0.56	
--	--	--	--	--	--	--	--	------	------	------	--	------	--	------	------	------	--	------	--	------	------	--

QUOTE PROGETTO

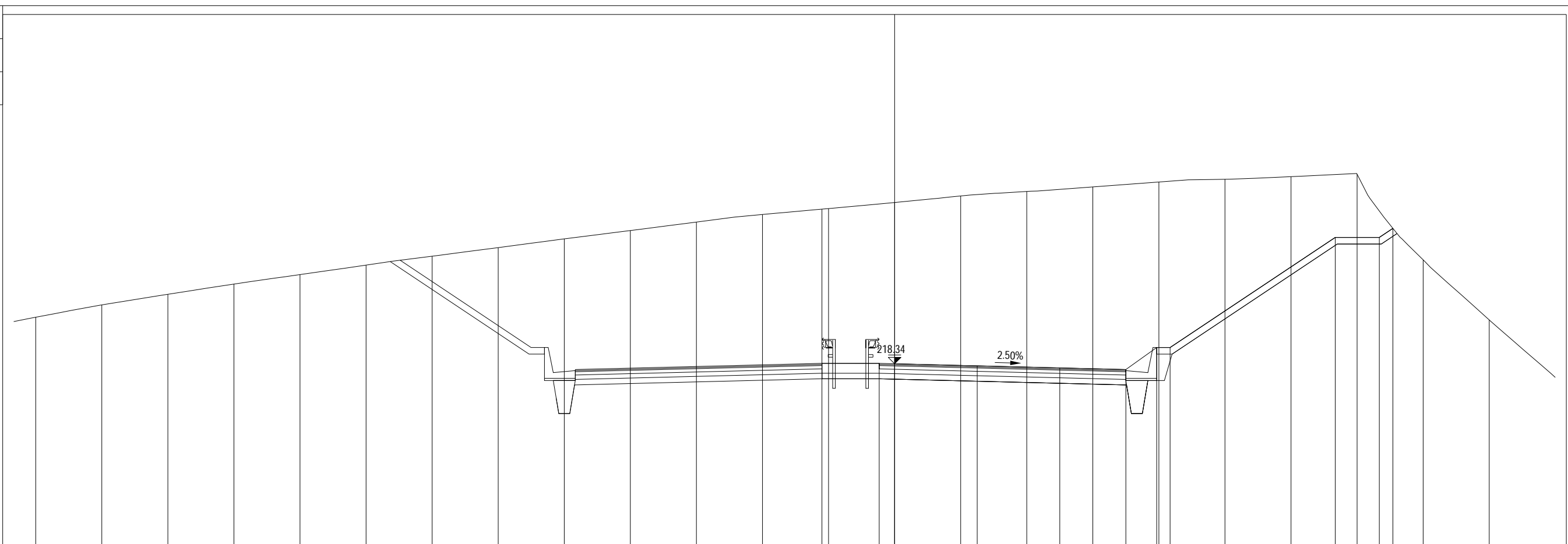
								217.79	217.78	217.77		217.67		217.58	217.50	218.50	218.50			223.50	223.50	
--	--	--	--	--	--	--	--	--------	--------	--------	--	--------	--	--------	--------	--------	--------	--	--	--------	--------	--

PROFILO 2.6a\_CUNEO

SEZIONE 157

PROGRESSIVA 2992.50

B SCAVO	m <sup>2</sup>	182.85
C BINDER	m <sup>2</sup>	0.56
D BASE	m <sup>2</sup>	1.68
MC MISTO CEMENTATO	m <sup>2</sup>	3.41
MS MISTO STABILIZZATO	m <sup>2</sup>	4.58
VT VEGETALE TRINCEA	m <sup>2</sup>	3.74
a USURA	m	11.20



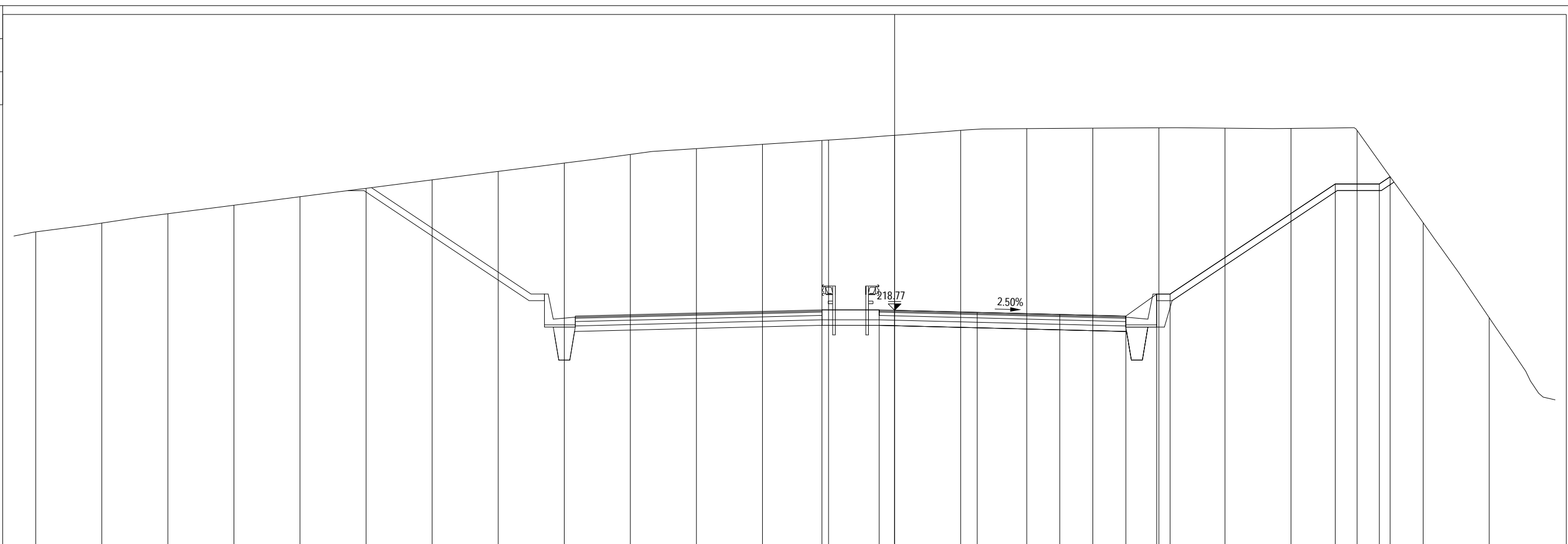
PROGRESSIVE TERRENO	-39.00	-36.00	-33.00	-30.00	-27.00	-24.00	-21.00	-18.00	-15.00	-12.00	-9.00	-6.00	-3.00	0.00	3.00	6.00	9.00	12.00	15.00	18.00	21.00	24.00	27.00
PARZIALI TERRENO		3.00	3.00	3.00	3.00	3.00	3.00	3.00	3.00	3.00	3.00	3.00	3.00	3.00	3.00	3.00	3.00	3.00	3.00	3.00	3.00	3.00	3.00
QUOTE TERRENO	220.45	221.01	221.49	221.96	222.39	222.82	223.22	223.61	224.01	224.39	224.77	225.12	225.39	225.66	225.96	226.16	226.37	226.59	226.72	226.83	226.95	223.06	220.33
PROGRESSIVE PROGETTO													-3.30	-0.70	0.00	3.75	7.50	10.50	11.90	12.51	20.01	22.01	22.63
PARZIALI PROGETTO													2.60	0.70	3.75	3.75	3.00	1.40	0.61	7.50	2.00	0.62	22.63
QUOTE PROGETTO													218.36	218.36	218.34	218.24	218.15	218.08	219.08	219.08	224.08	224.08	224.49

PROFILO 2.6a\_CUNEO

SEZIONE 158

PROGRESSIVA 3005.20

B SCAVO	m <sup>2</sup>	187.87
C BINDER	m <sup>2</sup>	0.56
D BASE	m <sup>2</sup>	1.68
MC MISTO CEMENTATO	m <sup>2</sup>	3.41
MS MISTO STABILIZZATO	m <sup>2</sup>	4.59
VT VEGETALE TRINCEA	m <sup>2</sup>	3.68
a USURA	m	11.20



PROGRESSIVE TERRENO

-39.00	-36.00	-33.00	-30.00	-27.00	-24.00	-21.00	-18.00	-15.00	-12.00	-9.00	-6.00	-3.00	0.00	3.00	6.00	9.00	12.00	15.00	18.00	21.00	24.00	27.00
--------	--------	--------	--------	--------	--------	--------	--------	--------	--------	-------	-------	-------	------	------	------	------	-------	-------	-------	-------	-------	-------

PARZIALI TERRENO

3.00	3.00	3.00	3.00	3.00	3.00	3.00	3.00	3.00	3.00	3.00	3.00	3.00	3.00	3.00	3.00	3.00	3.00	3.00	3.00	3.00	3.00	3.00
------	------	------	------	------	------	------	------	------	------	------	------	------	------	------	------	------	------	------	------	------	------	------

QUOTE TERRENO

222.33	222.73	223.15	223.54	223.92	224.30	224.69	225.07	225.45	225.84	226.11	226.30	226.50	226.71	226.94	227.02	227.04	227.05	227.04	227.03	226.93	222.74	218.43
--------	--------	--------	--------	--------	--------	--------	--------	--------	--------	--------	--------	--------	--------	--------	--------	--------	--------	--------	--------	--------	--------	--------

PROGRESSIVE PROGETTO

												-3.30	-0.70	0.00	3.75	7.50	10.50	11.90	12.51		20.01	22.01	22.50
--	--	--	--	--	--	--	--	--	--	--	--	-------	-------	------	------	------	-------	-------	-------	--	-------	-------	-------

PARZIALI PROGETTO

												2.60	0.70	3.75	3.75	3.00	1.40	0.61	7.50	2.00	0.49	0.49
--	--	--	--	--	--	--	--	--	--	--	--	------	------	------	------	------	------	------	------	------	------	------

QUOTE PROGETTO

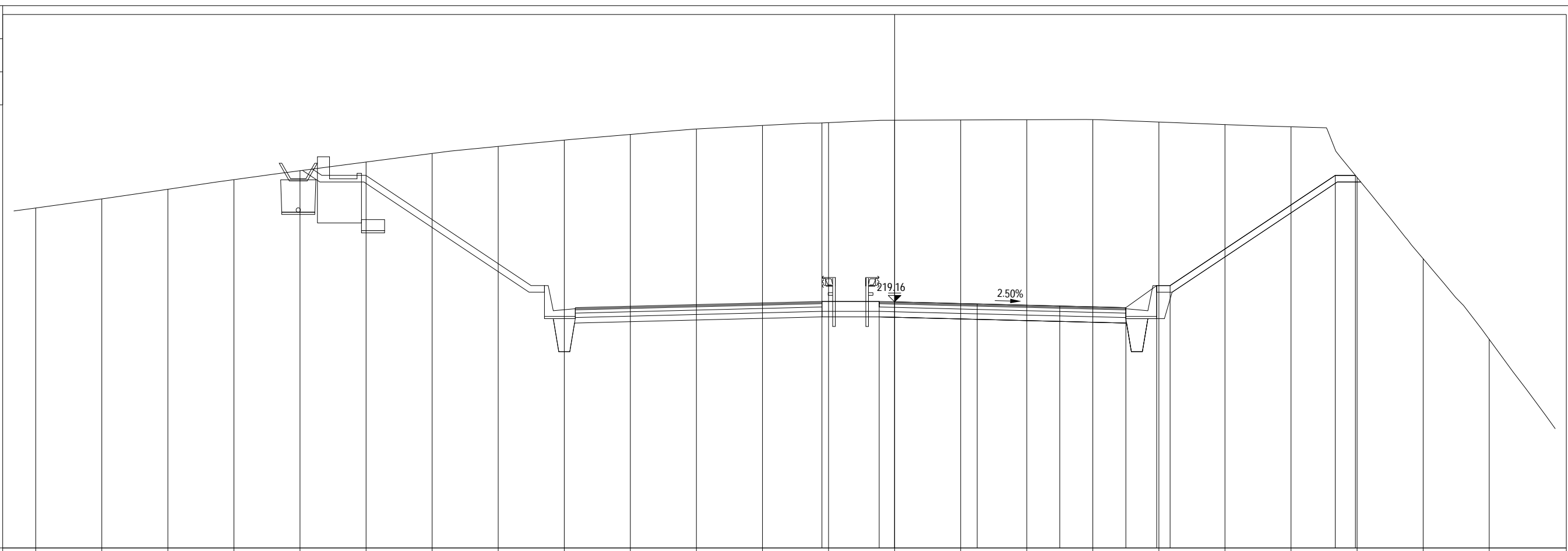
												218.78	218.78	218.77	218.67	218.58	218.50	219.50	219.50		224.50	224.50	224.83
--	--	--	--	--	--	--	--	--	--	--	--	--------	--------	--------	--------	--------	--------	--------	--------	--	--------	--------	--------

PROFILO 2.6a\_CUNEO

SEZIONE 159

PROGRESSIVA 3017.50

B SCAVO	m <sup>2</sup>	182.79
C BINDER	m <sup>2</sup>	0.56
D BASE	m <sup>2</sup>	1.68
MC MISTO CEMENTATO	m <sup>2</sup>	3.41
MS MISTO STABILIZZATO	m <sup>2</sup>	4.58
VT VEGETALE TRINCEA	m <sup>2</sup>	3.20
a USURA	m	11.20



PROGRESSIVE TERRENO

-39.00	-36.00	-33.00	-30.00	-27.00	-24.00	-21.00	-18.00	-15.00	-12.00	-9.00	-6.00	-3.00	0.00	3.00	6.00	9.00	12.00	15.00	18.00	21.00	24.00	27.00
--------	--------	--------	--------	--------	--------	--------	--------	--------	--------	-------	-------	-------	------	------	------	------	-------	-------	-------	-------	-------	-------

PARZIALI TERRENO

3.00	3.00	3.00	3.00	3.00	3.00	3.00	3.00	3.00	3.00	3.00	3.00	3.00	3.00	3.00	3.00	3.00	3.00	3.00	3.00	3.00	3.00	3.00
------	------	------	------	------	------	------	------	------	------	------	------	------	------	------	------	------	------	------	------	------	------	------

QUOTE TERRENO

223.42	223.83	224.27	224.71	225.11	225.51	225.90	226.22	226.50	226.76	227.01	227.17	227.29	227.40	227.41	227.43	227.43	227.32	227.21	227.11	224.81	221.12	217.46
--------	--------	--------	--------	--------	--------	--------	--------	--------	--------	--------	--------	--------	--------	--------	--------	--------	--------	--------	--------	--------	--------	--------

PROGRESSIVE PROGETTO

												-3.30	-0.70	0.00	3.75	7.50	10.50	11.90	12.51		20.01	20.92	
--	--	--	--	--	--	--	--	--	--	--	--	-------	-------	------	------	------	-------	-------	-------	--	-------	-------	--

PARZIALI PROGETTO

												2.60	0.70	3.75	3.75	3.00	1.40	0.61	7.50	0.91			
--	--	--	--	--	--	--	--	--	--	--	--	------	------	------	------	------	------	------	------	------	--	--	--

QUOTE PROGETTO

												219.18	219.18	219.16	219.07	218.98	218.90	219.90	219.90		224.90	224.90	
--	--	--	--	--	--	--	--	--	--	--	--	--------	--------	--------	--------	--------	--------	--------	--------	--	--------	--------	--



PROFILO 2.6a\_CUNEO

SEZIONE 160

PROGRESSIVA 3032.50

B SCAVO	m <sup>2</sup>	188.49
C BINDER	m <sup>2</sup>	0.56
D BASE	m <sup>2</sup>	1.68
MC MISTO CEMENTATO	m <sup>2</sup>	3.41
MS MISTO STABILIZZATO	m <sup>2</sup>	4.58
VT VEGETALE TRINCEA	m <sup>2</sup>	4.40
a USURA	m	11.20



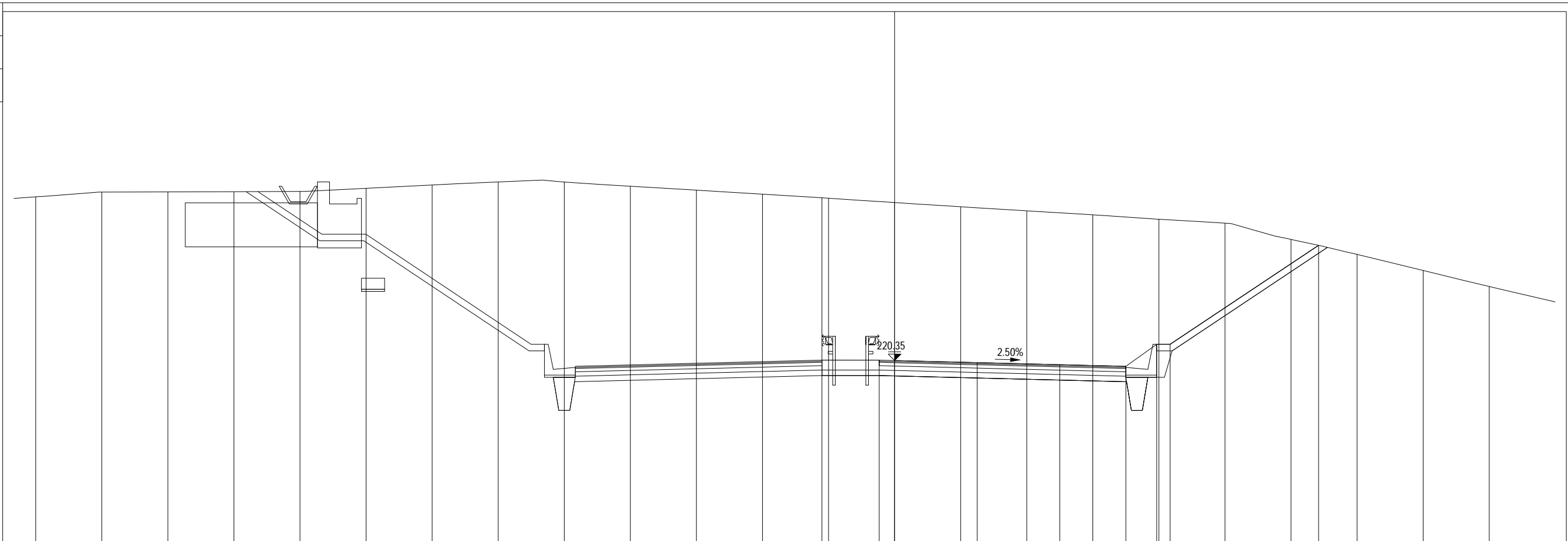
PROGRESSIVE TERRENO	-39.00	-36.00	-33.00	-30.00	-27.00	-24.00	-21.00	-18.00	-15.00	-12.00	-9.00	-6.00	-3.00	0.00	3.00	6.00	9.00	12.00	15.00	18.00	21.00	24.00	27.00	
PARZIALI TERRENO		3.00	3.00	3.00	3.00	3.00	3.00	3.00	3.00	3.00	3.00	3.00	3.00	3.00	3.00	3.00	3.00	3.00	3.00	3.00	3.00	3.00	3.00	
QUOTE TERRENO	224.94	225.35	225.75	226.13	226.47	226.79	227.08	227.29	227.50	227.69	227.87	228.03	228.17	228.22	228.08	227.94	227.77	227.59	227.41	227.24	227.06	226.94	226.46	
PROGRESSIVE PROGETTO													-3.30	-0.70	0.00	3.75	7.50	10.50	11.90	12.51		20.01	22.01	24.35
PARZIALI PROGETTO													2.60	0.70	3.75	3.75	3.00	1.40	0.61	7.50	2.00	2.34		
QUOTE PROGETTO													219.65	219.65	219.63	219.53	219.44	219.37	220.37	220.37		225.37	225.37	226.93

PROFILO 2.6a\_CUNEO

SEZIONE 161

PROGRESSIVA 3057.50

B SCAVO	m <sup>2</sup>	144.87
C BINDER	m <sup>2</sup>	0.56
D BASE	m <sup>2</sup>	1.68
MC MISTO CEMENTATO	m <sup>2</sup>	3.41
MS MISTO STABILIZZATO	m <sup>2</sup>	4.58
VT VEGETALE TRINCEA	m <sup>2</sup>	2.67
a USURA	m	11.20



PROGRESSIVE TERRENO

-39.00	-36.00	-33.00	-30.00	-27.00	-24.00	-21.00	-18.00	-15.00	-12.00	-9.00	-6.00	-3.00	0.00	3.00	6.00	9.00	12.00	15.00	18.00	21.00	24.00	27.00
--------	--------	--------	--------	--------	--------	--------	--------	--------	--------	-------	-------	-------	------	------	------	------	-------	-------	-------	-------	-------	-------

PARZIALI TERRENO

3.00	3.00	3.00	3.00	3.00	3.00	3.00	3.00	3.00	3.00	3.00	3.00	3.00	3.00	3.00	3.00	3.00	3.00	3.00	3.00	3.00	3.00	3.00
------	------	------	------	------	------	------	------	------	------	------	------	------	------	------	------	------	------	------	------	------	------	------

QUOTE TERRENO

227.79	228.00	228.01	228.02	228.03	228.17	228.32	228.46	228.46	228.27	228.09	227.91	227.72	227.53	227.33	227.15	226.97	226.77	226.59	225.85	225.17	224.44	223.71
--------	--------	--------	--------	--------	--------	--------	--------	--------	--------	--------	--------	--------	--------	--------	--------	--------	--------	--------	--------	--------	--------	--------

PROGRESSIVE PROGETTO

												-3.30	-0.70	0.00	3.75	7.50	10.50	11.90	12.51		19.25	
--	--	--	--	--	--	--	--	--	--	--	--	-------	-------	------	------	------	-------	-------	-------	--	-------	--

PARZIALI PROGETTO

												2.60	0.70	3.75	3.75	3.00	1.40	0.61	6.74			
--	--	--	--	--	--	--	--	--	--	--	--	------	------	------	------	------	------	------	------	--	--	--

QUOTE PROGETTO

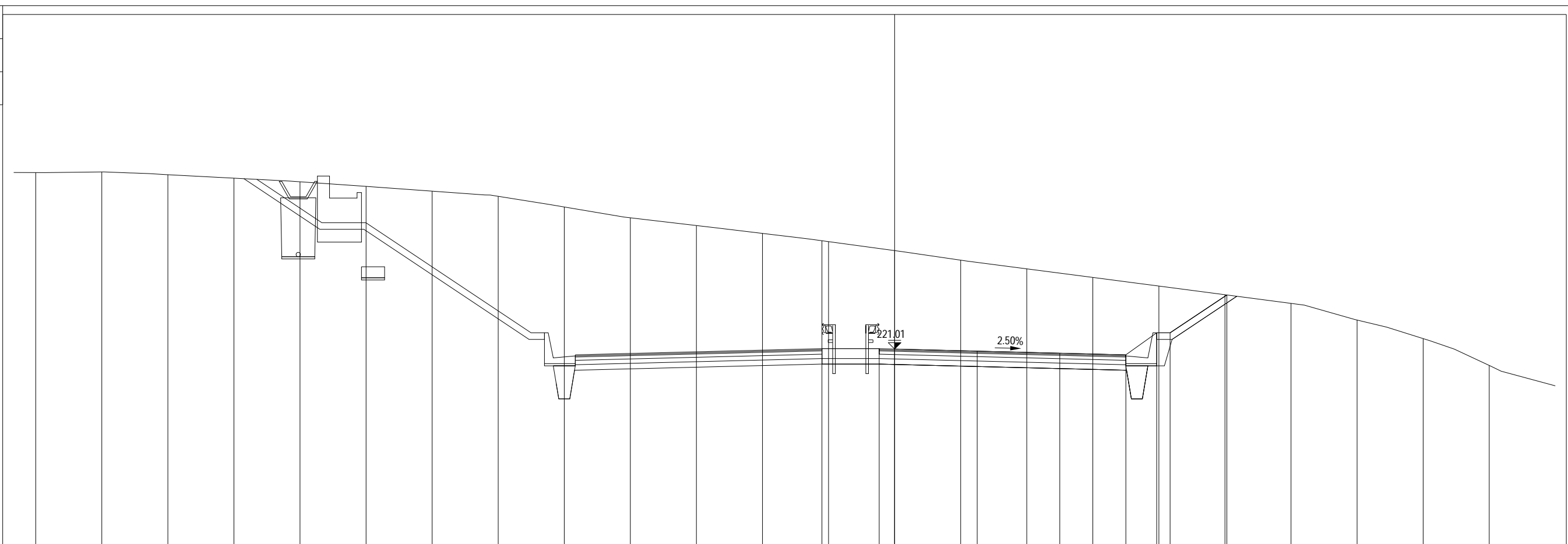
												220.37	220.37	220.35	220.26	220.16	220.09	221.09	221.09		225.58	
--	--	--	--	--	--	--	--	--	--	--	--	--------	--------	--------	--------	--------	--------	--------	--------	--	--------	--

PROFILO 2.6a\_CUNEO

SEZIONE 162

PROGRESSIVA 3082.50

B SCAVO	m <sup>2</sup>	77.96
C BINDER	m <sup>2</sup>	0.56
D BASE	m <sup>2</sup>	1.68
MC MISTO CEMENTATO	m <sup>2</sup>	3.41
MS MISTO STABILIZZATO	m <sup>2</sup>	4.58
VT VEGETALE TRINCEA	m <sup>2</sup>	1.19
a USURA	m	11.20



212  
200

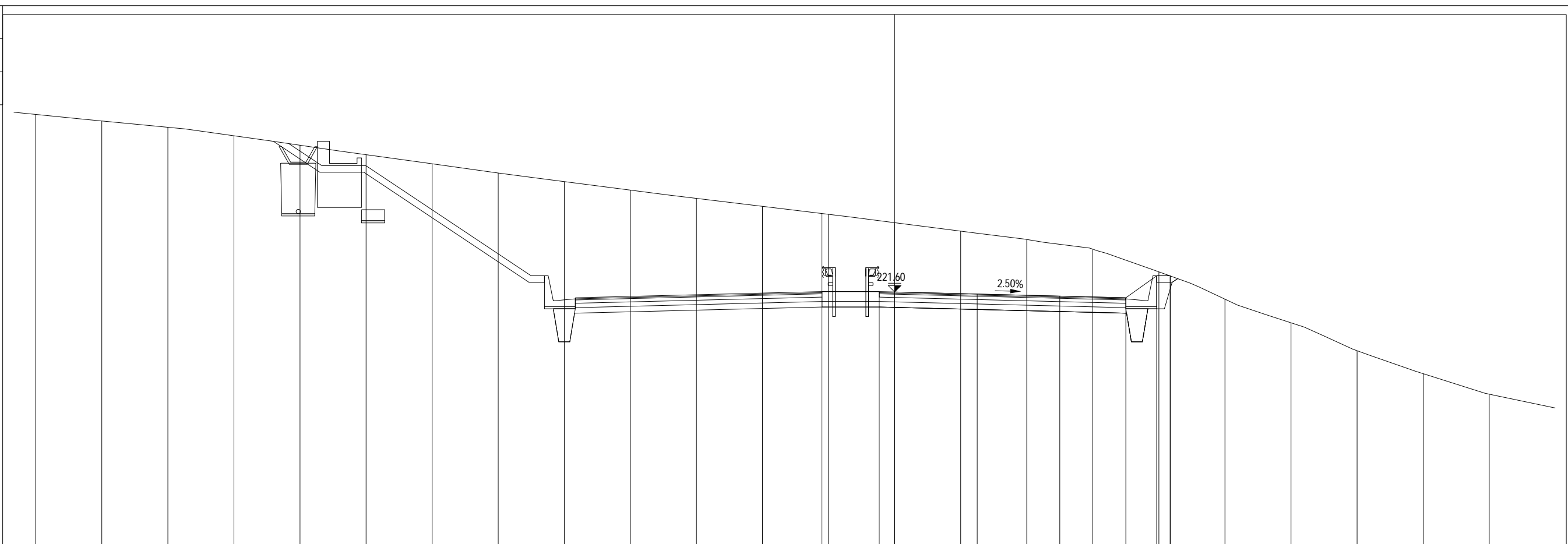
PROGRESSIVE TERRENO	-39.00	-36.00	-33.00	-30.00	-27.00	-24.00	-21.00	-18.00	-15.00	-12.00	-9.00	-6.00	-3.00	0.00	3.00	6.00	9.00	12.00	15.00	18.00	21.00	24.00	27.00
PARZIALI TERRENO		3.00	3.00	3.00	3.00	3.00	3.00	3.00	3.00	3.00	3.00	3.00	3.00	3.00	3.00	3.00	3.00	3.00	3.00	3.00	3.00	3.00	3.00
QUOTE TERRENO	229.02	229.05	228.92	228.77	228.60	228.39	228.18	227.94	227.46	226.97	226.61	226.26	225.88	225.48	225.04	224.65	224.26	223.87	223.47	223.08	222.32	221.48	220.26
PROGRESSIVE PROGETTO													-3.30	-0.70	0.00								
PARZIALI PROGETTO													2.60	0.70	3.75	3.75	3.00	1.40	0.61	2.58			
QUOTE PROGETTO													221.02	221.02	221.01	220.91	220.82	220.74	221.74	221.74	223.46		

PROFILO 2.6a\_CUNEO

SEZIONE 163

PROGRESSIVA 3107.50

B SCAVO	m <sup>2</sup>	52.59
C BINDER	m <sup>2</sup>	0.56
D BASE	m <sup>2</sup>	1.68
MC MISTO CEMENTATO	m <sup>2</sup>	3.41
MS MISTO STABILIZZATO	m <sup>2</sup>	4.57
VT VEGETALE TRINCEA	m <sup>2</sup>	0.24
a USURA	m	11.20



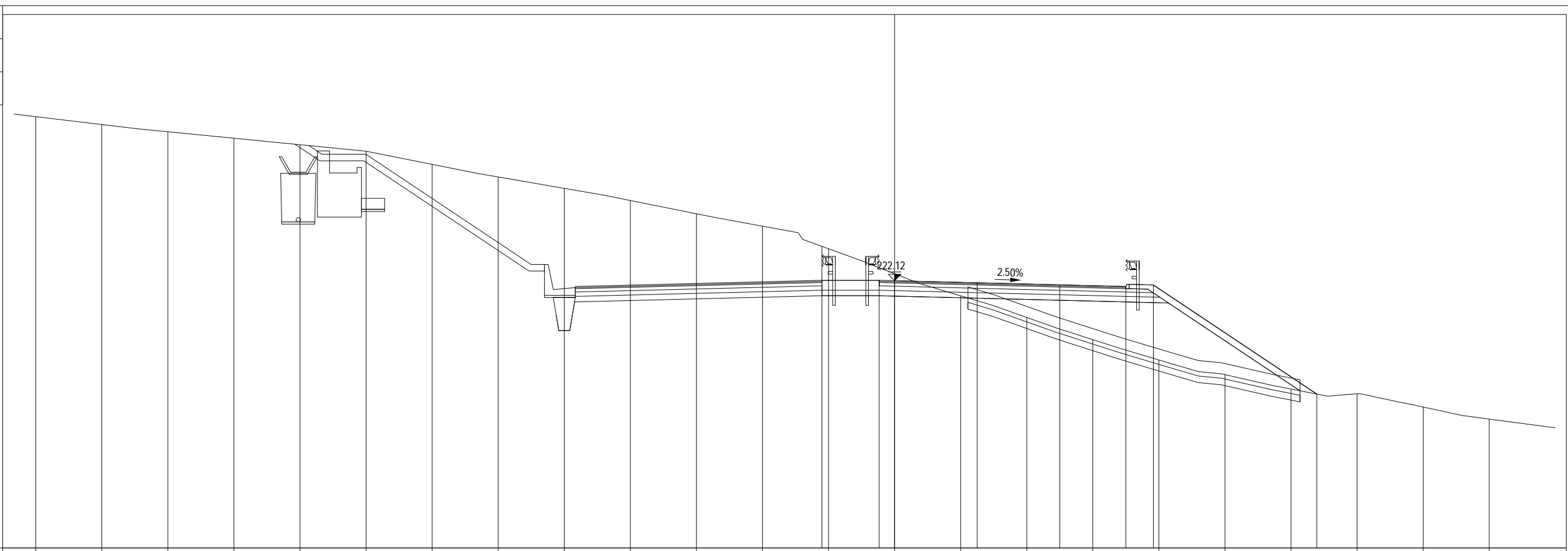
PROGRESSIVE TERRENO	-39.00	-36.00	-33.00	-30.00	-27.00	-24.00	-21.00	-18.00	-15.00	-12.00	-9.00	-6.00	-3.00	0.00	3.00	6.00	9.00	12.00	15.00	18.00	21.00	24.00	27.00
PARZIALI TERRENO		3.00	3.00	3.00	3.00	3.00	3.00	3.00	3.00	3.00	3.00	3.00	3.00	3.00	3.00	3.00	3.00	3.00	3.00	3.00	3.00	3.00	3.00
QUOTE TERRENO	229.66	229.36	229.08	228.69	228.26	227.83	227.42	227.00	226.61	226.22	225.85	225.49	225.12	224.74	224.36	223.98	223.54	222.51	221.27	220.20	218.93	217.89	216.96
PROGRESSIVE PROGETTO													-3.30	-0.70	0.00	3.75	7.50	10.50	11.90	12.51	12.53		
PARZIALI PROGETTO													2.60	0.70	3.75	3.75	3.00	1.40	0.61	0.02			
QUOTE PROGETTO													221.62	221.61	221.60	221.50	221.41	221.33	222.33	222.33	222.32		

PROFILO 2.6a\_CUNEO

SEZIONE 164

PROGRESSIVA 3132.50

A RILEVATO	m <sup>2</sup>	21.11
AN ANTICAPILLARE	m <sup>2</sup>	7.60
B SCAVO	m <sup>2</sup>	6.98
C BINDER	m <sup>2</sup>	0.56
D BASE	m <sup>2</sup>	1.86
MC MISTO CEMENTATO	m <sup>2</sup>	3.70
MS MISTO STABILIZZATO	m <sup>2</sup>	3.89
VR VEGETALE RIL	m <sup>2</sup>	2.81
a USURA	m	11.20
br BONIFICA	m	15.74
sc SCOTICO	m	15.74
tn TNT	m	15.15



PROGRESSIVE TERRENO

-39.00	-36.00	-33.00	-30.00	-27.00	-24.00	-21.00	-18.00	-15.00	-12.00	-9.00	-6.00	-3.00	0.00	3.00	6.00	9.00	12.00	15.00	18.00	21.00	24.00	27.00
--------	--------	--------	--------	--------	--------	--------	--------	--------	--------	-------	-------	-------	------	------	------	------	-------	-------	-------	-------	-------	-------

PARZIALI TERRENO

3.00	3.00	3.00	3.00	3.00	3.00	3.00	3.00	3.00	3.00	3.00	3.00	3.00	3.00	3.00	3.00	3.00	3.00	3.00	3.00	3.00	3.00	3.00
------	------	------	------	------	------	------	------	------	------	------	------	------	------	------	------	------	------	------	------	------	------	------

QUOTE TERRENO

229.56	229.21	228.88	228.59	228.29	227.99	227.40	226.83	226.31	225.76	225.16	224.60	223.57	222.44	221.44	220.46	219.45	218.53	217.86	217.21	216.99	216.39	215.85
--------	--------	--------	--------	--------	--------	--------	--------	--------	--------	--------	--------	--------	--------	--------	--------	--------	--------	--------	--------	--------	--------	--------

PROGRESSIVE PROGETTO

												-3.30	-0.70	0.00	3.75	7.50	10.50	11.75		19.17		
--	--	--	--	--	--	--	--	--	--	--	--	-------	-------	------	------	------	-------	-------	--	-------	--	--

PARZIALI PROGETTO

												2.60	0.70	3.75	3.75	3.00	1.25	7.42				
--	--	--	--	--	--	--	--	--	--	--	--	------	------	------	------	------	------	------	--	--	--	--

QUOTE PROGETTO

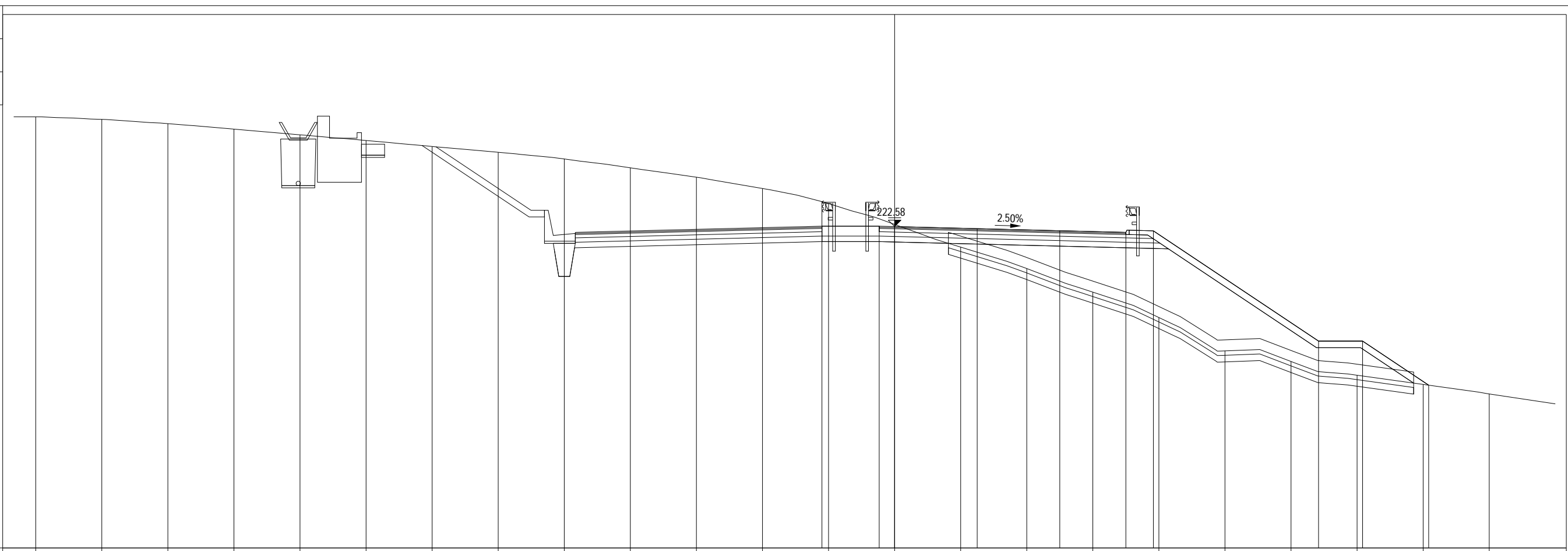
												222.14	222.14	222.12	222.03	221.94	221.86	221.93		216.98		
--	--	--	--	--	--	--	--	--	--	--	--	--------	--------	--------	--------	--------	--------	--------	--	--------	--	--

PROFILO 2.6a\_CUNEO

SEZIONE 165

PROGRESSIVA 3157.20

A RILEVATO	m <sup>2</sup>	35.08
AN ANTICAPILLARE	m <sup>2</sup>	10.47
B SCAVO	m <sup>2</sup>	5.26
C BINDER	m <sup>2</sup>	0.56
D BASE	m <sup>2</sup>	1.86
MC MISTO CEMENTATO	m <sup>2</sup>	3.69
MS MISTO STABILIZZATO	m <sup>2</sup>	3.89
VR VEGETALE RIL	m	4.25
a USURA	m	11.20
br BONIFICA	m	22.15
sc SCOTICO	m	22.15
tn TNT	m	20.96



PROGRESSIVE TERRENO

-39.00	-36.00	-33.00	-30.00	-27.00	-24.00	-21.00	-18.00	-15.00	-12.00	-9.00	-6.00	-3.00	0.00	3.00	6.00	9.00	12.00	15.00	18.00	21.00	24.00	27.00
--------	--------	--------	--------	--------	--------	--------	--------	--------	--------	-------	-------	-------	------	------	------	------	-------	-------	-------	-------	-------	-------

PARZIALI TERRENO

3.00	3.00	3.00	3.00	3.00	3.00	3.00	3.00	3.00	3.00	3.00	3.00	3.00	3.00	3.00	3.00	3.00	3.00	3.00	3.00	3.00	3.00	3.00
------	------	------	------	------	------	------	------	------	------	------	------	------	------	------	------	------	------	------	------	------	------	------

QUOTE TERRENO

227.56	227.44	227.25	227.00	226.74	226.48	226.21	225.95	225.65	225.24	224.82	224.31	223.62	222.68	221.65	220.68	219.60	218.45	216.94	216.46	215.83	215.42	214.99
--------	--------	--------	--------	--------	--------	--------	--------	--------	--------	--------	--------	--------	--------	--------	--------	--------	--------	--------	--------	--------	--------	--------

PROGRESSIVE PROGETTO

												-3.30	-0.70	0.00	3.75	7.50	10.50	11.75		19.25	21.25	24.25
--	--	--	--	--	--	--	--	--	--	--	--	-------	-------	------	------	------	-------	-------	--	-------	-------	-------

PARZIALI PROGETTO

												2.60	0.70	3.75	3.75	3.00	1.25	7.50		2.00	3.00	
--	--	--	--	--	--	--	--	--	--	--	--	------	------	------	------	------	------	------	--	------	------	--

QUOTE PROGETTO

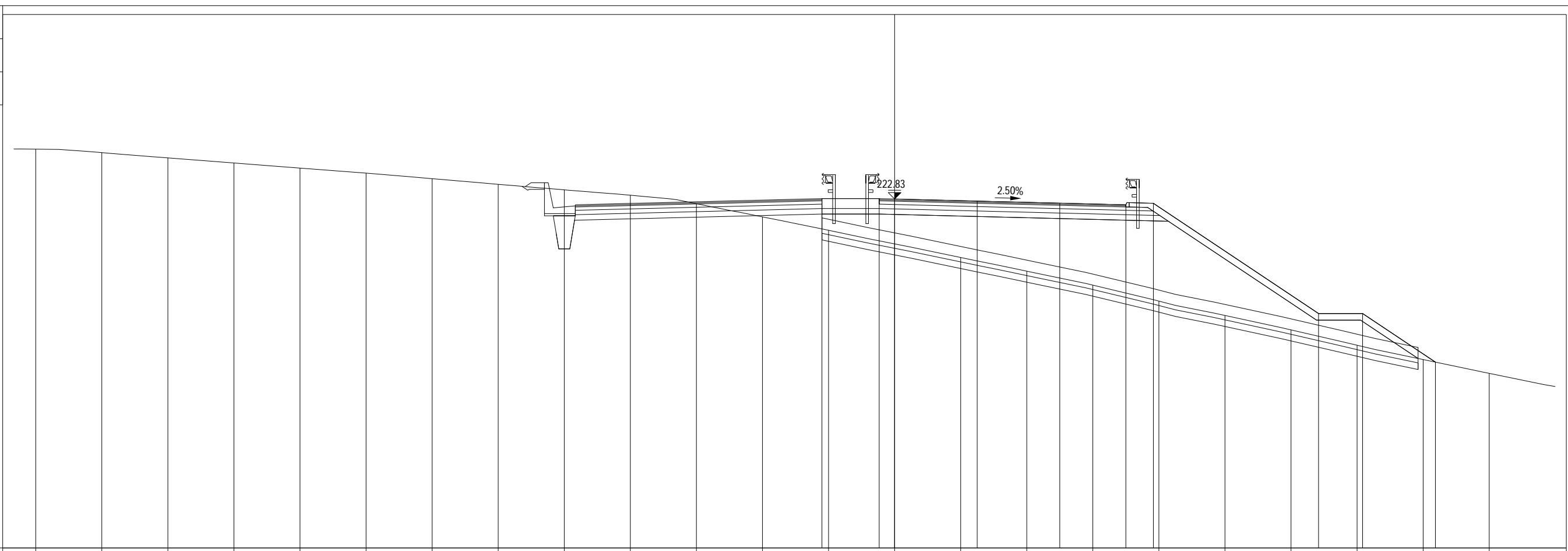
												222.60	222.60	222.58	222.49	222.39	222.32	222.38		217.38	217.38	215.38
--	--	--	--	--	--	--	--	--	--	--	--	--------	--------	--------	--------	--------	--------	--------	--	--------	--------	--------

PROFILO 2.6a\_CUNEO

SEZIONE 166

PROGRESSIVA 3172.50

A RILEVATO	m <sup>2</sup>	52.70
AN ANTICAPILLARE	m <sup>2</sup>	13.46
C BINDER	m <sup>2</sup>	0.56
D BASE	m <sup>2</sup>	1.86
MC MISTO CEMENTATO	m <sup>2</sup>	3.70
MS MISTO STABILIZZATO	m <sup>2</sup>	3.90
VR VEGETALE RIL	m <sup>2</sup>	4.23
a USURA	m	11.20
br BONIFICA	m	27.49
sc SCOTICO	m	27.49
tn TNT	m	26.88



207  
200

PROGRESSIVE TERRENO

-39.00	-36.00	-33.00	-30.00	-27.00	-24.00	-21.00	-18.00	-15.00	-12.00	-9.00	-6.00	-3.00	0.00	3.00	6.00	9.00	12.00	15.00	18.00	21.00	24.00	27.00
--------	--------	--------	--------	--------	--------	--------	--------	--------	--------	-------	-------	-------	------	------	------	------	-------	-------	-------	-------	-------	-------

PARZIALI TERRENO

3.00	3.00	3.00	3.00	3.00	3.00	3.00	3.00	3.00	3.00	3.00	3.00	3.00	3.00	3.00	3.00	3.00	3.00	3.00	3.00	3.00	3.00	3.00
------	------	------	------	------	------	------	------	------	------	------	------	------	------	------	------	------	------	------	------	------	------	------

QUOTE TERRENO

225.09	224.93	224.69	224.46	224.23	224.00	223.75	223.49	223.25	223.00	222.62	222.02	221.41	220.79	220.18	219.56	218.92	218.20	217.55	216.89	216.20	215.55	214.92
--------	--------	--------	--------	--------	--------	--------	--------	--------	--------	--------	--------	--------	--------	--------	--------	--------	--------	--------	--------	--------	--------	--------

PROGRESSIVE PROGETTO

								-3.30	-0.70	0.00		3.75	7.50	10.50	11.75		19.25	21.25	24.56			
--	--	--	--	--	--	--	--	-------	-------	------	--	------	------	-------	-------	--	-------	-------	-------	--	--	--

PARZIALI PROGETTO

								2.60	0.70	3.75		3.75	3.00	1.25	7.50		2.00	3.31				
--	--	--	--	--	--	--	--	------	------	------	--	------	------	------	------	--	------	------	--	--	--	--

QUOTE PROGETTO

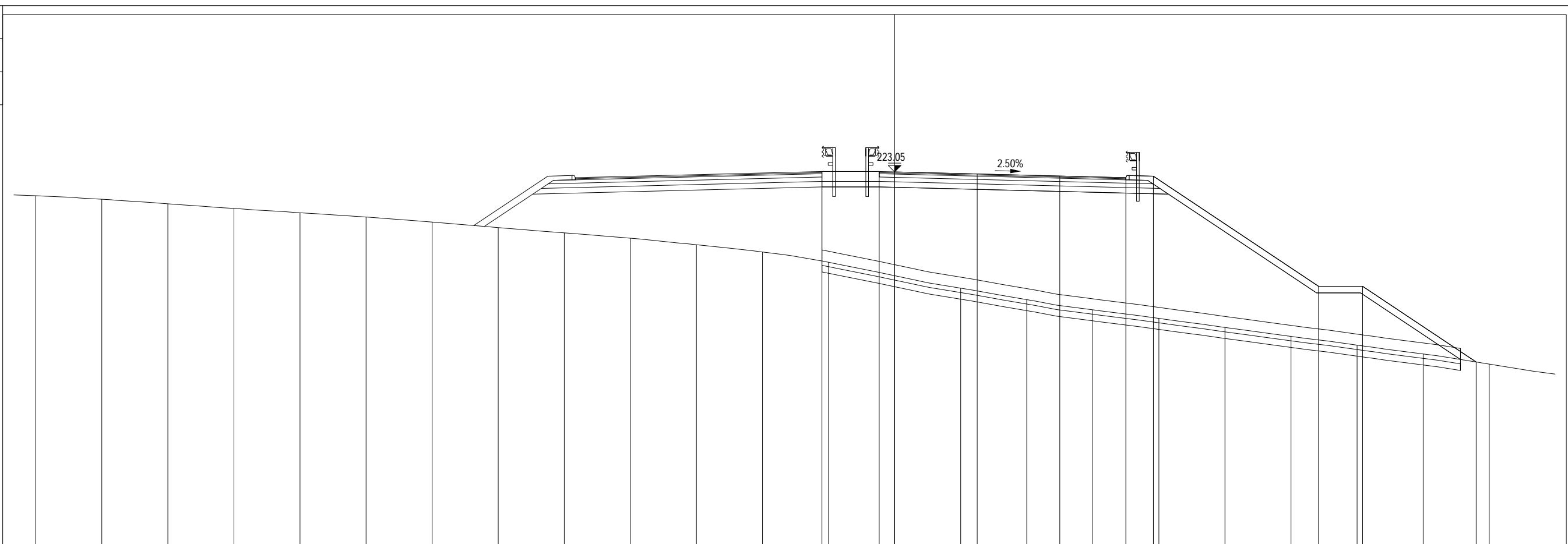
								222.85	222.85	222.83		222.74	222.64	222.57	222.63		217.63	217.63	215.43			
--	--	--	--	--	--	--	--	--------	--------	--------	--	--------	--------	--------	--------	--	--------	--------	--------	--	--	--

PROFILO 2.6a\_CUNEO

SEZIONE 167

PROGRESSIVA 3187.46

A RILEVATO	m <sup>2</sup>	109.84
AN ANTICAPILLARE	m <sup>2</sup>	14.40
C BINDER	m <sup>2</sup>	0.56
D BASE	m <sup>2</sup>	1.86
MC MISTO CEMENTATO	m <sup>2</sup>	3.70
MS MISTO STABILIZZATO	m <sup>2</sup>	3.90
VR VEGETALE RIL	m <sup>2</sup>	4.92
a USURA	m	11.20
br BONIFICA	m	29.20
sc SCOTICO	m	29.20
tn TNT	m	28.82



PROGRESSIVE TERRENO

-39.00	-36.00	-33.00	-30.00	-27.00	-24.00	-21.00	-18.00	-15.00	-12.00	-9.00	-6.00	-3.00	0.00	3.00	6.00	9.00	12.00	15.00	18.00	21.00	24.00	27.00
--------	--------	--------	--------	--------	--------	--------	--------	--------	--------	-------	-------	-------	------	------	------	------	-------	-------	-------	-------	-------	-------

PARZIALI TERRENO

3.00	3.00	3.00	3.00	3.00	3.00	3.00	3.00	3.00	3.00	3.00	3.00	3.00	3.00	3.00	3.00	3.00	3.00	3.00	3.00	3.00	3.00	3.00
------	------	------	------	------	------	------	------	------	------	------	------	------	------	------	------	------	------	------	------	------	------	------

QUOTE TERRENO

221.97	221.81	221.60	221.39	221.19	221.00	220.77	220.52	220.28	220.04	219.74	219.41	218.95	218.34	217.77	217.25	216.79	216.40	215.99	215.58	215.18	214.78	214.32
--------	--------	--------	--------	--------	--------	--------	--------	--------	--------	--------	--------	--------	--------	--------	--------	--------	--------	--------	--------	--------	--------	--------

PROGRESSIVE PROGETTO

												-3.30	-0.70	0.00	3.75	7.50	10.50	11.75		19.25	21.25		26.41
--	--	--	--	--	--	--	--	--	--	--	--	-------	-------	------	------	------	-------	-------	--	-------	-------	--	-------

PARZIALI PROGETTO

												2.60	0.70	3.75	3.75	3.00	1.25	7.50		2.00	5.16	
--	--	--	--	--	--	--	--	--	--	--	--	------	------	------	------	------	------	------	--	------	------	--

QUOTE PROGETTO

												223.07	223.07	223.05	222.96	222.86	222.79	222.86		217.86	217.86		214.42
--	--	--	--	--	--	--	--	--	--	--	--	--------	--------	--------	--------	--------	--------	--------	--	--------	--------	--	--------

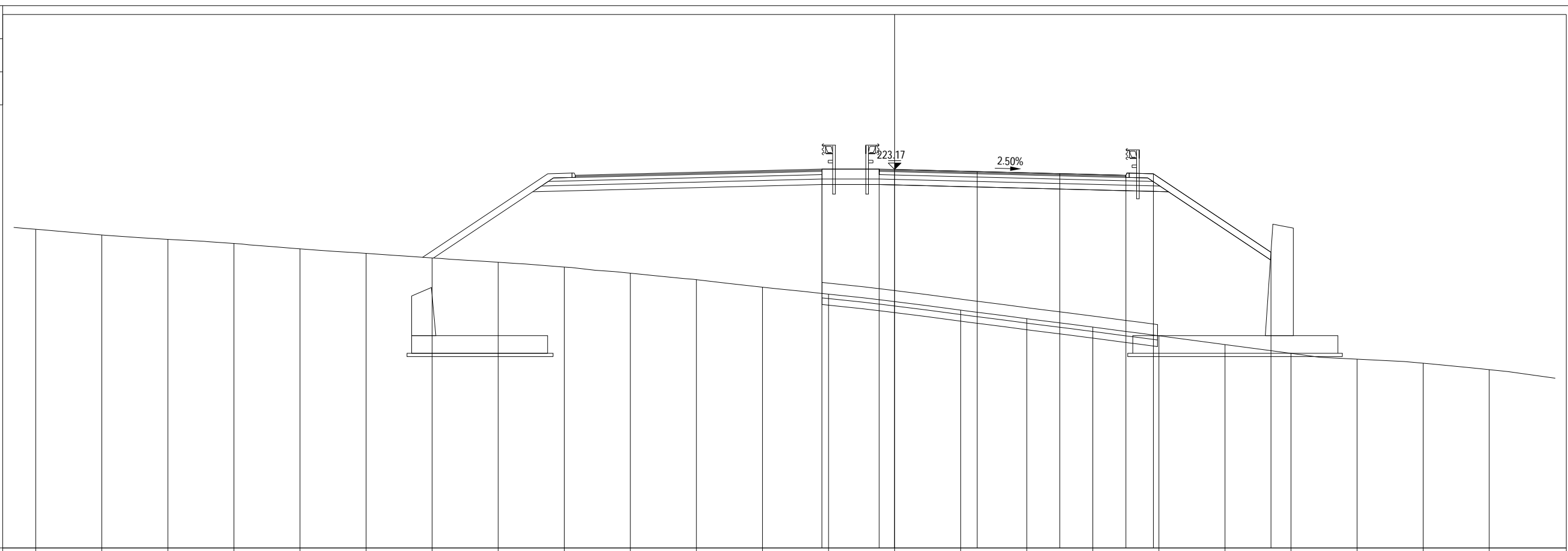


PROFILO 2.6a\_CUNEO

SEZIONE 168

PROGRESSIVA 3196.14

A RILEVATO	m <sup>2</sup>	113.50
AN ANTICAPILLARE	m <sup>2</sup>	7.63
C BINDER	m <sup>2</sup>	0.56
D BASE	m <sup>2</sup>	1.86
MC MISTO CEMENTATO	m <sup>2</sup>	3.69
MS MISTO STABILIZZATO	m <sup>2</sup>	3.89
VR VEGETALE RIL	m <sup>2</sup>	2.21
a USURA	m	11.20
br BONIFICA	m	15.84
sc SCOTICO	m	15.35
tn TNT	m	15.24



PROGRESSIVE TERRENO

-39.00	-36.00	-33.00	-30.00	-27.00	-24.00	-21.00	-18.00	-15.00	-12.00	-9.00	-6.00	-3.00	0.00	3.00	6.00	9.00	12.00	15.00	18.00	21.00	24.00	27.00
--------	--------	--------	--------	--------	--------	--------	--------	--------	--------	-------	-------	-------	------	------	------	------	-------	-------	-------	-------	-------	-------

PARZIALI TERRENO

3.00	3.00	3.00	3.00	3.00	3.00	3.00	3.00	3.00	3.00	3.00	3.00	3.00	3.00	3.00	3.00	3.00	3.00	3.00	3.00	3.00	3.00	3.00
------	------	------	------	------	------	------	------	------	------	------	------	------	------	------	------	------	------	------	------	------	------	------

QUOTE TERRENO

220.46	220.20	220.00	219.81	219.57	219.36	219.16	218.96	218.74	218.46	218.17	217.83	217.51	217.18	216.79	216.40	216.02	215.63	215.23	214.83	214.56	214.38	214.09
--------	--------	--------	--------	--------	--------	--------	--------	--------	--------	--------	--------	--------	--------	--------	--------	--------	--------	--------	--------	--------	--------	--------

PROGRESSIVE PROGETTO

												-3.30	-0.70	0.00	3.75	7.50	10.50	11.75		17.09		
--	--	--	--	--	--	--	--	--	--	--	--	-------	-------	------	------	------	-------	-------	--	-------	--	--

PARZIALI PROGETTO

												2.60	0.70	3.75	3.75	3.00	1.25	5.34				
--	--	--	--	--	--	--	--	--	--	--	--	------	------	------	------	------	------	------	--	--	--	--

QUOTE PROGETTO

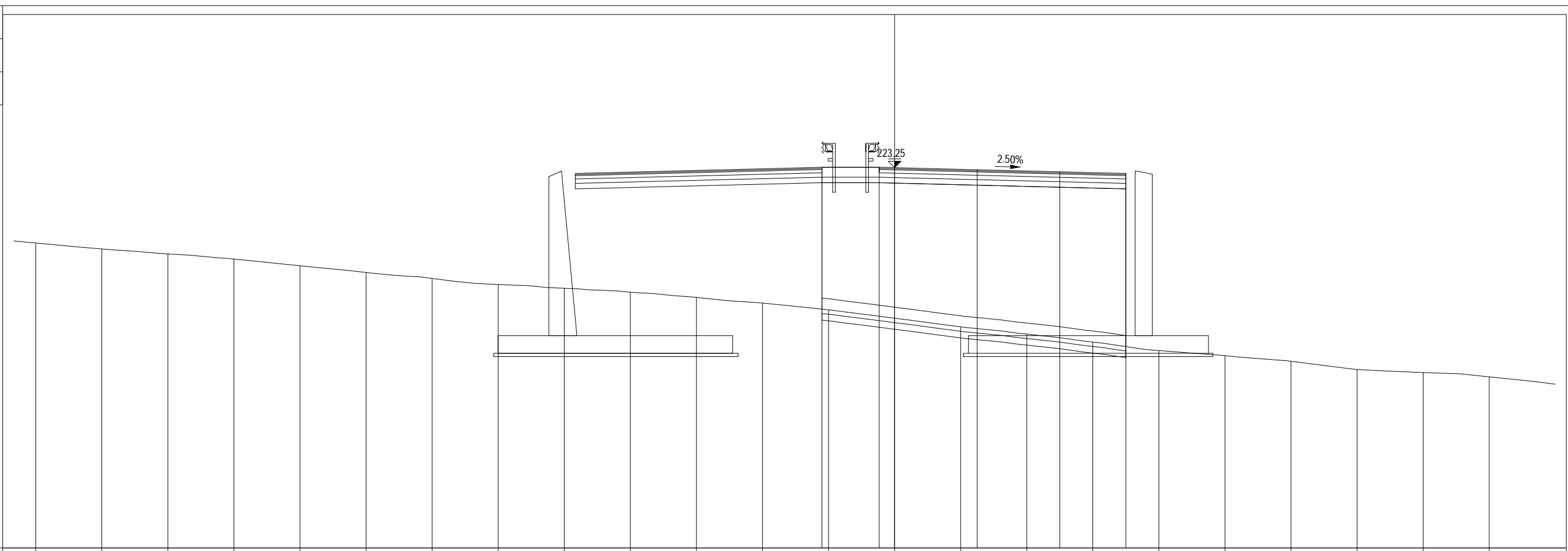
												223.19	223.19	223.17	223.08	222.98	222.91	222.91		219.41		
--	--	--	--	--	--	--	--	--	--	--	--	--------	--------	--------	--------	--------	--------	--------	--	--------	--	--

PROFILO 2.6a\_CUNEO

SEZIONE 169

PROGRESSIVA 3202.55

A RILEVATO	m <sup>2</sup>	89.28
AN ANTICAPILLARE	m <sup>2</sup>	6.90
C BINDER	m <sup>2</sup>	0.56
D BASE	m <sup>2</sup>	1.68
MC MISTO CEMENTATO	m <sup>2</sup>	3.41
MS MISTO STABILIZZATO	m <sup>2</sup>	3.45
a USURA	m	11.20
br BONIFICA	m	13.91
sc SCOTICO	m	13.91
tn TNT	m	13.80



PROGRESSIVE TERRENO

-39.00	-36.00	-33.00	-30.00	-27.00	-24.00	-21.00	-18.00	-15.00	-12.00	-9.00	-6.00	-3.00	0.00	3.00	6.00	9.00	12.00	15.00	18.00	21.00	24.00	27.00
--------	--------	--------	--------	--------	--------	--------	--------	--------	--------	-------	-------	-------	------	------	------	------	-------	-------	-------	-------	-------	-------

PARZIALI TERRENO

3.00	3.00	3.00	3.00	3.00	3.00	3.00	3.00	3.00	3.00	3.00	3.00	3.00	3.00	3.00	3.00	3.00	3.00	3.00	3.00	3.00	3.00	3.00
------	------	------	------	------	------	------	------	------	------	------	------	------	------	------	------	------	------	------	------	------	------	------

QUOTE TERRENO

219.83	219.56	219.34	219.10	218.80	218.50	218.23	217.95	217.78	217.60	217.36	217.11	216.80	216.42	216.03	215.70	215.34	214.95	214.72	214.47	214.10	213.96	213.76
--------	--------	--------	--------	--------	--------	--------	--------	--------	--------	--------	--------	--------	--------	--------	--------	--------	--------	--------	--------	--------	--------	--------

PROGRESSIVE PROGETTO

												-3.30	-0.70	0.00	3.75	7.50	10.50					
--	--	--	--	--	--	--	--	--	--	--	--	-------	-------	------	------	------	-------	--	--	--	--	--

PARZIALI PROGETTO

												2.60	0.70	3.75	3.75	3.00						
--	--	--	--	--	--	--	--	--	--	--	--	------	------	------	------	------	--	--	--	--	--	--

QUOTE PROGETTO

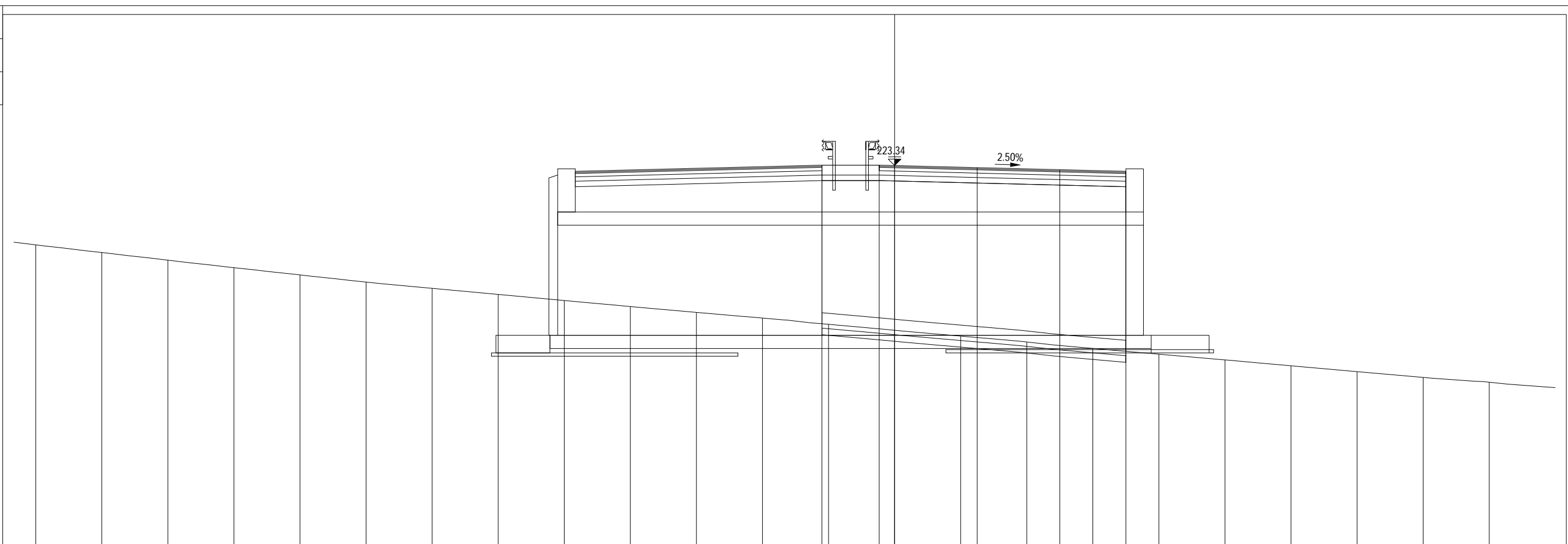
												223.27	223.27	223.25	223.16	223.06	222.99					
--	--	--	--	--	--	--	--	--	--	--	--	--------	--------	--------	--------	--------	--------	--	--	--	--	--

PROFILO 2.6a\_CUNEO

SEZIONE 170

PROGRESSIVA 3209.85

A RILEVATO	m <sup>2</sup>	96.79
AN ANTICAPILLARE	m <sup>2</sup>	6.91
C BINDER	m <sup>2</sup>	0.56
D BASE	m <sup>2</sup>	1.68
MC MISTO CEMENTATO	m <sup>2</sup>	3.41
MS MISTO STABILIZZATO	m <sup>2</sup>	3.45
a USURA	m	11.20
br BONIFICA	m	13.84
sc SCOTICO	m	13.84
tn TNT	m	13.80



PROGRESSIVE TERRENO

-39.00	-36.00	-33.00	-30.00	-27.00	-24.00	-21.00	-18.00	-15.00	-12.00	-9.00	-6.00	-3.00	0.00	3.00	6.00	9.00	12.00	15.00	18.00	21.00	24.00	27.00
--------	--------	--------	--------	--------	--------	--------	--------	--------	--------	-------	-------	-------	------	------	------	------	-------	-------	-------	-------	-------	-------

PARZIALI TERRENO

3.00	3.00	3.00	3.00	3.00	3.00	3.00	3.00	3.00	3.00	3.00	3.00	3.00	3.00	3.00	3.00	3.00	3.00	3.00	3.00	3.00	3.00	3.00
------	------	------	------	------	------	------	------	------	------	------	------	------	------	------	------	------	------	------	------	------	------	------

QUOTE TERRENO

219.74	219.39	219.04	218.70	218.37	218.05	217.76	217.49	217.21	216.94	216.67	216.41	216.13	215.86	215.59	215.33	215.03	214.77	214.51	214.25	213.98	213.72	213.50
--------	--------	--------	--------	--------	--------	--------	--------	--------	--------	--------	--------	--------	--------	--------	--------	--------	--------	--------	--------	--------	--------	--------

PROGRESSIVE PROGETTO

												-3.30	-0.70	0.00	3.75	7.50	10.50					
--	--	--	--	--	--	--	--	--	--	--	--	-------	-------	------	------	------	-------	--	--	--	--	--

PARZIALI PROGETTO

												2.60	0.70	3.75	3.75	3.00						
--	--	--	--	--	--	--	--	--	--	--	--	------	------	------	------	------	--	--	--	--	--	--

QUOTE PROGETTO

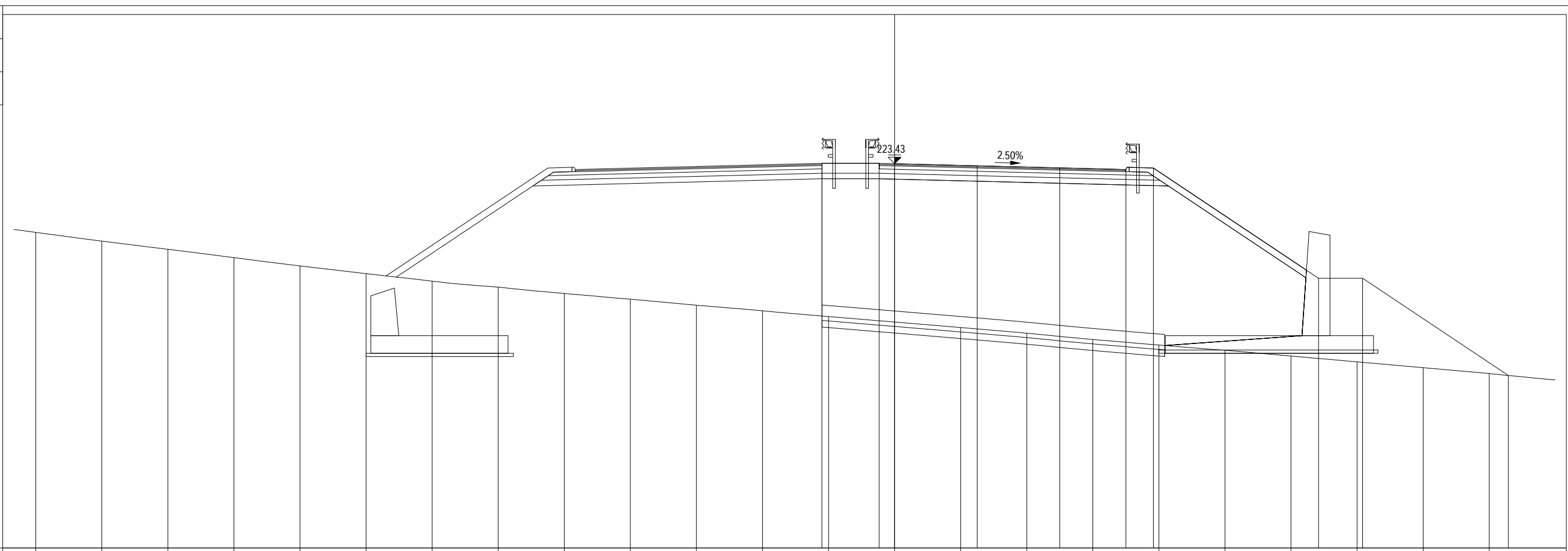
												223.36	223.36	223.34	223.25	223.15	223.08					
--	--	--	--	--	--	--	--	--	--	--	--	--------	--------	--------	--------	--------	--------	--	--	--	--	--

PROFILO 2.6a\_CUNEO

SEZIONE 171

PROGRESSIVA 3217.94

A RILEVATO	m <sup>2</sup>	159.15
AN ANTICAPILLARE	m <sup>2</sup>	15.18
C BINDER	m <sup>2</sup>	0.56
D BASE	m <sup>2</sup>	1.85
MC MISTO CEMENTATO	m <sup>2</sup>	3.70
MS MISTO STABILIZZATO	m <sup>2</sup>	3.89
VR VEGETALE RIL	m <sup>2</sup>	5.49
a USURA	m	11.20
br BONIFICA	m	30.43
sc SCOTICO	m	30.43
tn TNT	m	30.37



PROGRESSIVE TERRENO

-39.00	-36.00	-33.00	-30.00	-27.00	-24.00	-21.00	-18.00	-15.00	-12.00	-9.00	-6.00	-3.00	0.00	3.00	6.00	9.00	12.00	15.00	18.00	21.00	24.00	27.00
--------	--------	--------	--------	--------	--------	--------	--------	--------	--------	-------	-------	-------	------	------	------	------	-------	-------	-------	-------	-------	-------

PARZIALI TERRENO

3.00	3.00	3.00	3.00	3.00	3.00	3.00	3.00	3.00	3.00	3.00	3.00	3.00	3.00	3.00	3.00	3.00	3.00	3.00	3.00	3.00	3.00	3.00
------	------	------	------	------	------	------	------	------	------	------	------	------	------	------	------	------	------	------	------	------	------	------

QUOTE TERRENO

220.32	219.92	219.55	219.17	218.79	218.44	218.10	217.83	217.54	217.28	217.01	216.76	216.50	216.25	216.00	215.74	215.46	215.21	214.96	214.71	214.44	214.18	213.91
--------	--------	--------	--------	--------	--------	--------	--------	--------	--------	--------	--------	--------	--------	--------	--------	--------	--------	--------	--------	--------	--------	--------

PROGRESSIVE PROGETTO

												-3.30	-0.70	0.00	3.75	7.50	10.50	11.75		19.25	21.25		27.87
--	--	--	--	--	--	--	--	--	--	--	--	-------	-------	------	------	------	-------	-------	--	-------	-------	--	-------

PARZIALI PROGETTO

												2.60	0.70	3.75	3.75	3.00	1.25	7.50	2.00	6.62		
--	--	--	--	--	--	--	--	--	--	--	--	------	------	------	------	------	------	------	------	------	--	--

QUOTE PROGETTO

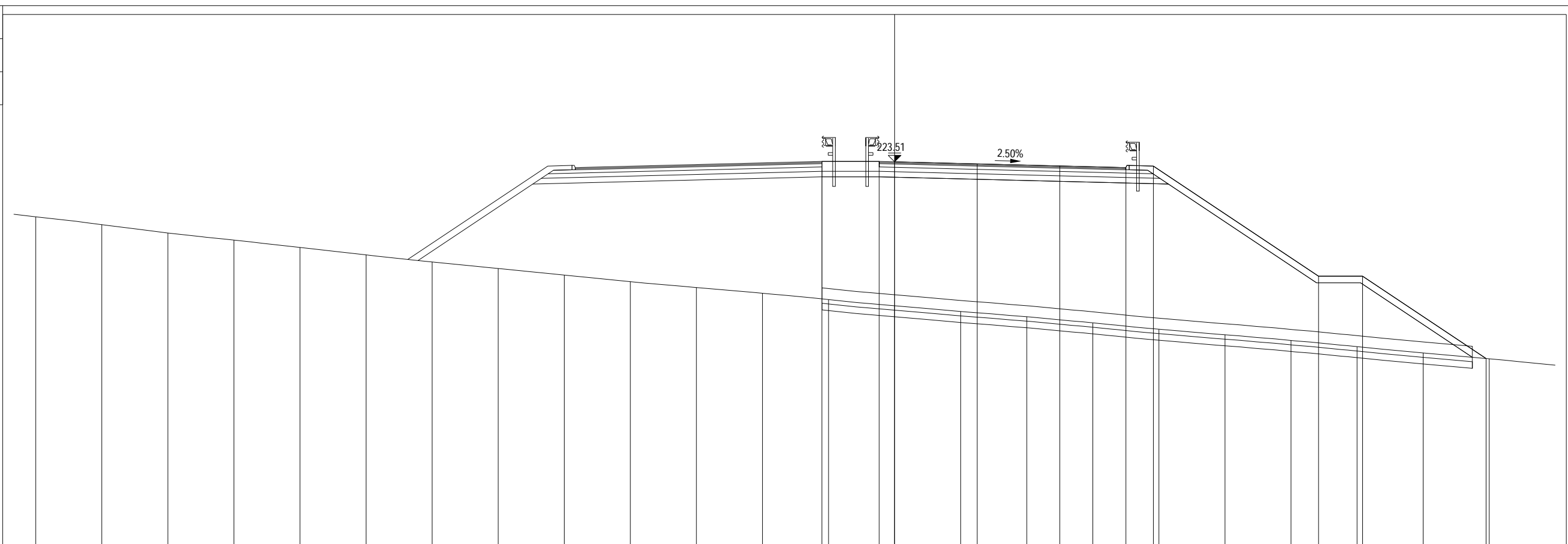
												223.45	223.45	223.43	223.34	223.24	223.17	223.23		218.23	218.23		213.82
--	--	--	--	--	--	--	--	--	--	--	--	--------	--------	--------	--------	--------	--------	--------	--	--------	--------	--	--------

PROFILO 2.6a\_CUNEO

SEZIONE 172

PROGRESSIVA 3225.50

A RILEVATO	m <sup>2</sup>	140.48
AN ANTICAPILLARE	m <sup>2</sup>	14.70
C BINDER	m <sup>2</sup>	0.56
D BASE	m <sup>2</sup>	1.86
MC MISTO CEMENTATO	m <sup>2</sup>	3.69
MS MISTO STABILIZZATO	m <sup>2</sup>	3.90
VR VEGETALE RIL	m <sup>2</sup>	5.23
a USURA	m	11.20
br BONIFICA	m	29.48
sc SCOTICO	m	29.48
tn TNT	m	29.38



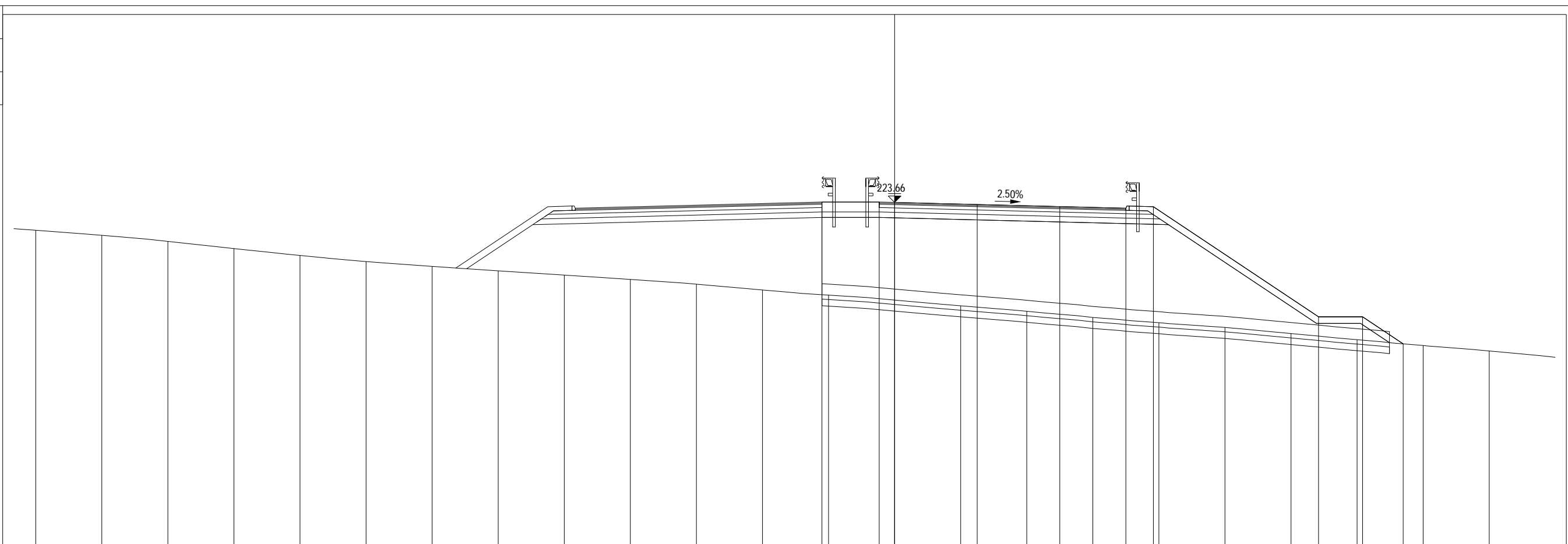
PROGRESSIVE TERRENO	-39.00	-36.00	-33.00	-30.00	-27.00	-24.00	-21.00	-18.00	-15.00	-12.00	-9.00	-6.00	-3.00	0.00	3.00	6.00	9.00	12.00	15.00	18.00	21.00	24.00	27.00
PARZIALI TERRENO		3.00	3.00	3.00	3.00	3.00	3.00	3.00	3.00	3.00	3.00	3.00	3.00	3.00	3.00	3.00	3.00	3.00	3.00	3.00	3.00	3.00	3.00
QUOTE TERRENO	221.01	220.65	220.28	219.95	219.62	219.28	218.96	218.66	218.36	218.07	217.80	217.54	217.25	216.97	216.71	216.47	216.20	215.91	215.65	215.40	215.12	214.83	214.56
PROGRESSIVE PROGETTO													-3.30	-0.70	0.00	3.75	7.50	10.50	11.75		19.25	21.25	26.86
PARZIALI PROGETTO													2.60	0.70	3.75	3.75	3.00	1.25	7.50	2.00	5.61		
QUOTE PROGETTO													223.53	223.53	223.51	223.42	223.32	223.25	223.31		218.31	218.31	214.58

PROFILO 2.6a\_CUNEO

SEZIONE 173

PROGRESSIVA 3242.50

A RILEVATO	m <sup>2</sup>	81.94
AN ANTICAPILLARE	m <sup>2</sup>	12.80
C BINDER	m <sup>2</sup>	0.56
D BASE	m <sup>2</sup>	1.87
MC MISTO CEMENTATO	m <sup>2</sup>	3.69
MS MISTO STABILIZZATO	m <sup>2</sup>	3.89
VR VEGETALE RIL	m <sup>2</sup>	3.88
a USURA	m	11.20
br BONIFICA	m	25.66
sc SCOTICO	m	25.66
tn TNT	m	25.61



208  
▼

200  
200

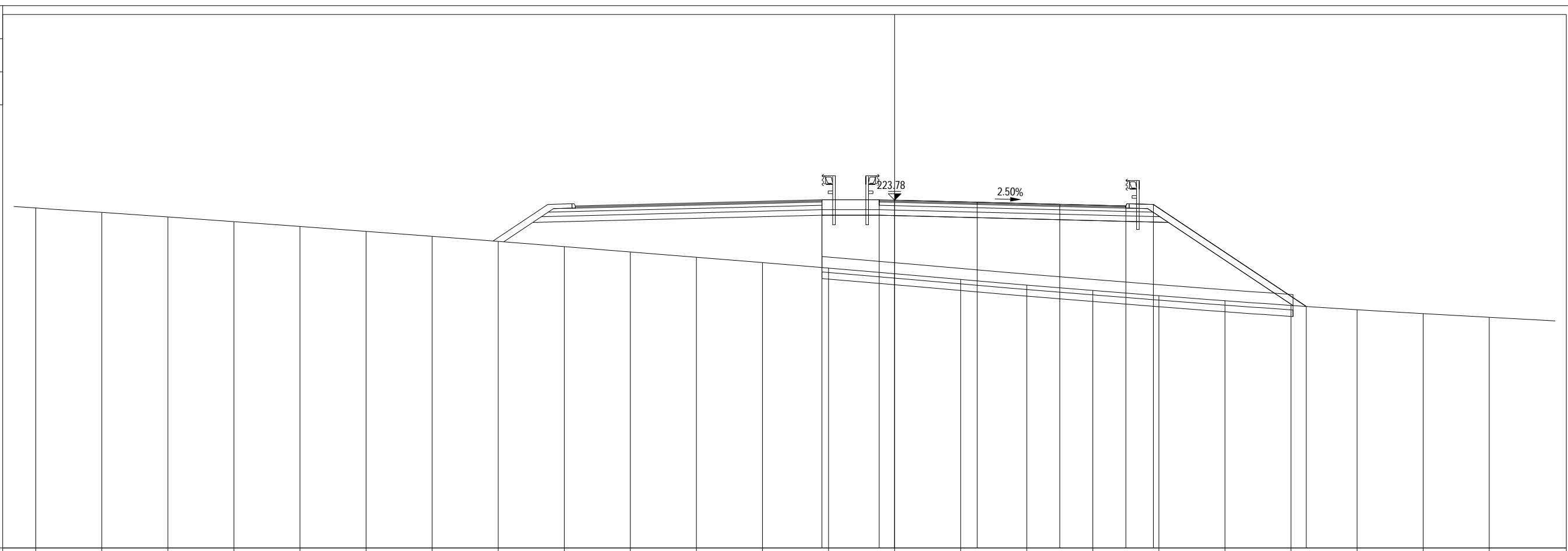
PROGRESSIVE TERRENO	-39.00	-36.00	-33.00	-30.00	-27.00	-24.00	-21.00	-18.00	-15.00	-12.00	-9.00	-6.00	-3.00	0.00	3.00	6.00	9.00	12.00	15.00	18.00	21.00	24.00	27.00
PARZIALI TERRENO		3.00	3.00	3.00	3.00	3.00	3.00	3.00	3.00	3.00	3.00	3.00	3.00	3.00	3.00	3.00	3.00	3.00	3.00	3.00	3.00	3.00	3.00
QUOTE TERRENO	222.40	222.17	221.89	221.57	221.26	220.98	220.76	220.56	220.36	220.17	219.95	219.69	219.45	219.23	218.97	218.72	218.44	218.20	217.99	217.71	217.43	217.17	216.92
PROGRESSIVE PROGETTO													-3.30	-0.70	0.00	3.75	7.50	10.50	11.75		19.25	21.25	23.09
PARZIALI PROGETTO													2.60	0.70	3.75	3.75	3.00	1.25	7.50		2.00	1.84	
QUOTE PROGETTO													223.68	223.68	223.66	223.57	223.48	223.40	223.47		218.47	218.47	217.24

PROFILO 2.6a\_CUNEO

SEZIONE 174

PROGRESSIVA 3257.50

A RILEVATO	m <sup>2</sup>	55.29
AN ANTICAPILLARE	m <sup>2</sup>	10.72
C BINDER	m <sup>2</sup>	0.56
D BASE	m <sup>2</sup>	1.86
MC MISTO CEMENTATO	m <sup>2</sup>	3.69
MS MISTO STABILIZZATO	m <sup>2</sup>	3.90
VR VEGETALE RIL	m <sup>2</sup>	2.64
a USURA	m	11.20
br BONIFICA	m	21.48
sc SCOTICO	m	21.48
tn TNT	m	21.44



PROGRESSIVE TERRENO

-39.00	-36.00	-33.00	-30.00	-27.00	-24.00	-21.00	-18.00	-15.00	-12.00	-9.00	-6.00	-3.00	0.00	3.00	6.00	9.00	12.00	15.00	18.00	21.00	24.00	27.00
--------	--------	--------	--------	--------	--------	--------	--------	--------	--------	-------	-------	-------	------	------	------	------	-------	-------	-------	-------	-------	-------

PARZIALI TERRENO

3.00	3.00	3.00	3.00	3.00	3.00	3.00	3.00	3.00	3.00	3.00	3.00	3.00	3.00	3.00	3.00	3.00	3.00	3.00	3.00	3.00	3.00	3.00
------	------	------	------	------	------	------	------	------	------	------	------	------	------	------	------	------	------	------	------	------	------	------

QUOTE TERRENO

223.42	223.22	223.02	222.80	222.58	222.36	222.14	221.91	221.67	221.43	221.19	220.95	220.69	220.44	220.18	219.92	219.68	219.44	219.21	219.00	218.81	218.63	218.46
--------	--------	--------	--------	--------	--------	--------	--------	--------	--------	--------	--------	--------	--------	--------	--------	--------	--------	--------	--------	--------	--------	--------

PROGRESSIVE PROGETTO

												-3.30	-0.70	0.00		3.75	7.50	10.50	11.75		18.69	
--	--	--	--	--	--	--	--	--	--	--	--	-------	-------	------	--	------	------	-------	-------	--	-------	--

PARZIALI PROGETTO

												2.60	0.70	3.75	3.75	3.00	1.25	6.94				
--	--	--	--	--	--	--	--	--	--	--	--	------	------	------	------	------	------	------	--	--	--	--

QUOTE PROGETTO

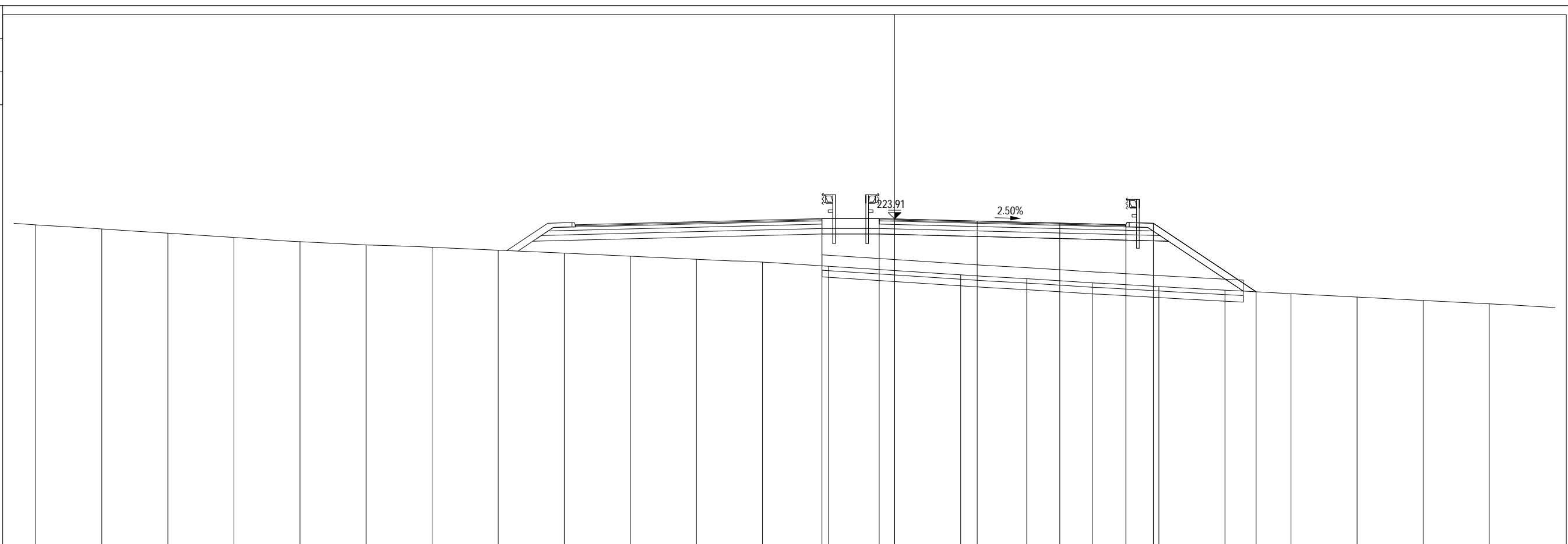
												223.79	223.79	223.78	223.68	223.59	223.51	223.58		218.95		
--	--	--	--	--	--	--	--	--	--	--	--	--------	--------	--------	--------	--------	--------	--------	--	--------	--	--

PROFILO 2.6a\_CUNEO

SEZIONE 175

PROGRESSIVA 3282.50

A RILEVATO	m <sup>2</sup>	32.03
AN ANTICAPILLARE	m <sup>2</sup>	9.58
C BINDER	m <sup>2</sup>	0.56
D BASE	m <sup>2</sup>	1.86
MC MISTO CEMENTATO	m <sup>2</sup>	3.69
MS MISTO STABILIZZATO	m <sup>2</sup>	3.90
VR VEGETALE RIL	m <sup>2</sup>	1.86
a USURA	m	11.20
br BONIFICA	m	19.21
sc SCOTICO	m	19.21
tn TNT	m	19.18



PROGRESSIVE TERRENO

-39.00	-36.00	-33.00	-30.00	-27.00	-24.00	-21.00	-18.00	-15.00	-12.00	-9.00	-6.00	-3.00	0.00	3.00	6.00	9.00	12.00	15.00	18.00	21.00	24.00	27.00
--------	--------	--------	--------	--------	--------	--------	--------	--------	--------	-------	-------	-------	------	------	------	------	-------	-------	-------	-------	-------	-------

PARZIALI TERRENO

3.00	3.00	3.00	3.00	3.00	3.00	3.00	3.00	3.00	3.00	3.00	3.00	3.00	3.00	3.00	3.00	3.00	3.00	3.00	3.00	3.00	3.00	3.00
------	------	------	------	------	------	------	------	------	------	------	------	------	------	------	------	------	------	------	------	------	------	------

QUOTE TERRENO

223.65	223.46	223.27	223.07	222.88	222.74	222.63	222.49	222.36	222.22	222.08	221.95	221.76	221.57	221.38	221.20	221.01	220.84	220.68	220.52	220.37	220.21	220.06
--------	--------	--------	--------	--------	--------	--------	--------	--------	--------	--------	--------	--------	--------	--------	--------	--------	--------	--------	--------	--------	--------	--------

PROGRESSIVE PROGETTO

												-3.30	-0.70	0.00	3.75	7.50	10.50	11.75		16.41		
--	--	--	--	--	--	--	--	--	--	--	--	-------	-------	------	------	------	-------	-------	--	-------	--	--

PARZIALI PROGETTO

												2.60	0.70	3.75	3.75	3.00	1.25	4.66				
--	--	--	--	--	--	--	--	--	--	--	--	------	------	------	------	------	------	------	--	--	--	--

QUOTE PROGETTO

												223.93	223.93	223.91	223.82	223.73	223.65	223.72		220.61		
--	--	--	--	--	--	--	--	--	--	--	--	--------	--------	--------	--------	--------	--------	--------	--	--------	--	--

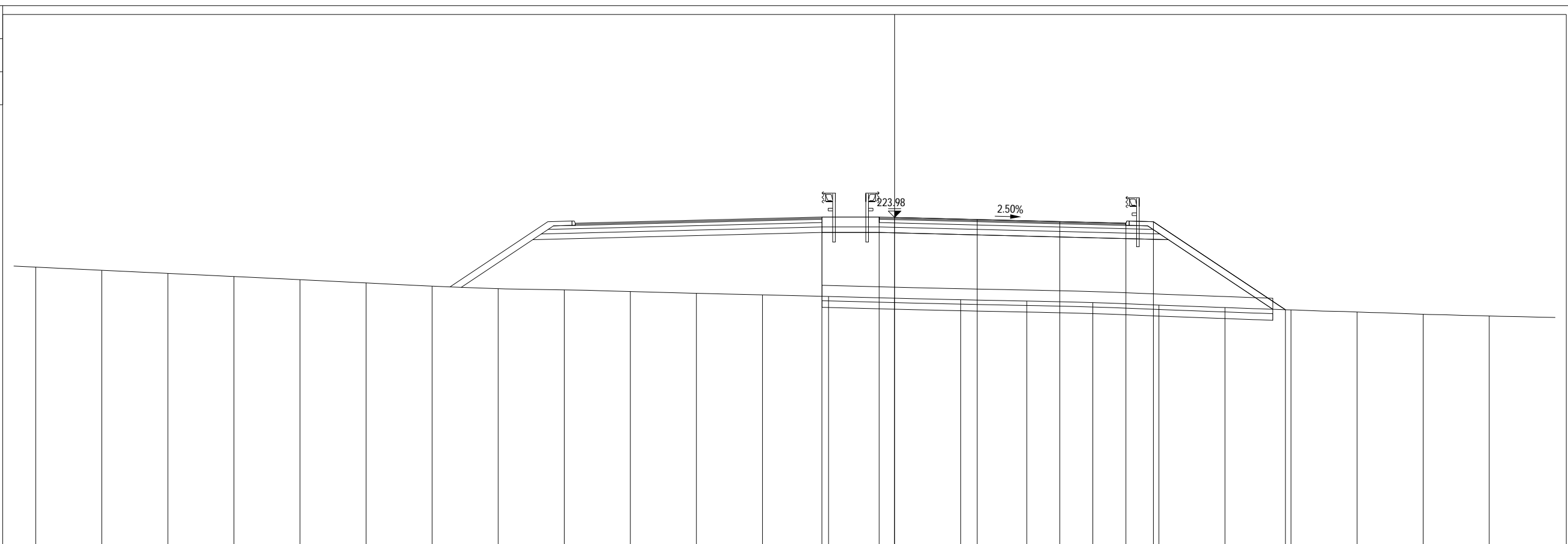


PROFILO 2.6a\_CUNEO

SEZIONE 176

PROGRESSIVA 3307.50

A RILEVATO	m <sup>2</sup>	53.65
AN ANTICAPILLARE	m <sup>2</sup>	10.25
C BINDER	m <sup>2</sup>	0.56
D BASE	m <sup>2</sup>	1.85
MC MISTO CEMENTATO	m <sup>2</sup>	3.69
MS MISTO STABILIZZATO	m <sup>2</sup>	3.90
VR VEGETALE RIL	m <sup>2</sup>	2.35
a USURA	m	11.20
br BONIFICA	m	20.52
sc SCOTICO	m	20.52
tn TNT	m	20.52



PROGRESSIVE TERRENO

-39.00	-36.00	-33.00	-30.00	-27.00	-24.00	-21.00	-18.00	-15.00	-12.00	-9.00	-6.00	-3.00	0.00	3.00	6.00	9.00	12.00	15.00	18.00	21.00	24.00	27.00
--------	--------	--------	--------	--------	--------	--------	--------	--------	--------	-------	-------	-------	------	------	------	------	-------	-------	-------	-------	-------	-------

PARZIALI TERRENO

3.00	3.00	3.00	3.00	3.00	3.00	3.00	3.00	3.00	3.00	3.00	3.00	3.00	3.00	3.00	3.00	3.00	3.00	3.00	3.00	3.00	3.00	3.00
------	------	------	------	------	------	------	------	------	------	------	------	------	------	------	------	------	------	------	------	------	------	------

QUOTE TERRENO

221.73	221.58	221.44	221.30	221.16	221.01	220.86	220.75	220.69	220.62	220.54	220.47	220.39	220.31	220.25	220.19	220.11	220.00	219.89	219.78	219.69	219.58	219.51
--------	--------	--------	--------	--------	--------	--------	--------	--------	--------	--------	--------	--------	--------	--------	--------	--------	--------	--------	--------	--------	--------	--------

PROGRESSIVE PROGETTO

												-3.30	-0.70	0.00	3.75	7.50	10.50	11.75	17.75			
--	--	--	--	--	--	--	--	--	--	--	--	-------	-------	------	------	------	-------	-------	-------	--	--	--

PARZIALI PROGETTO

												2.60	0.70	3.75	3.75	3.00	1.25	6.00				
--	--	--	--	--	--	--	--	--	--	--	--	------	------	------	------	------	------	------	--	--	--	--

QUOTE PROGETTO

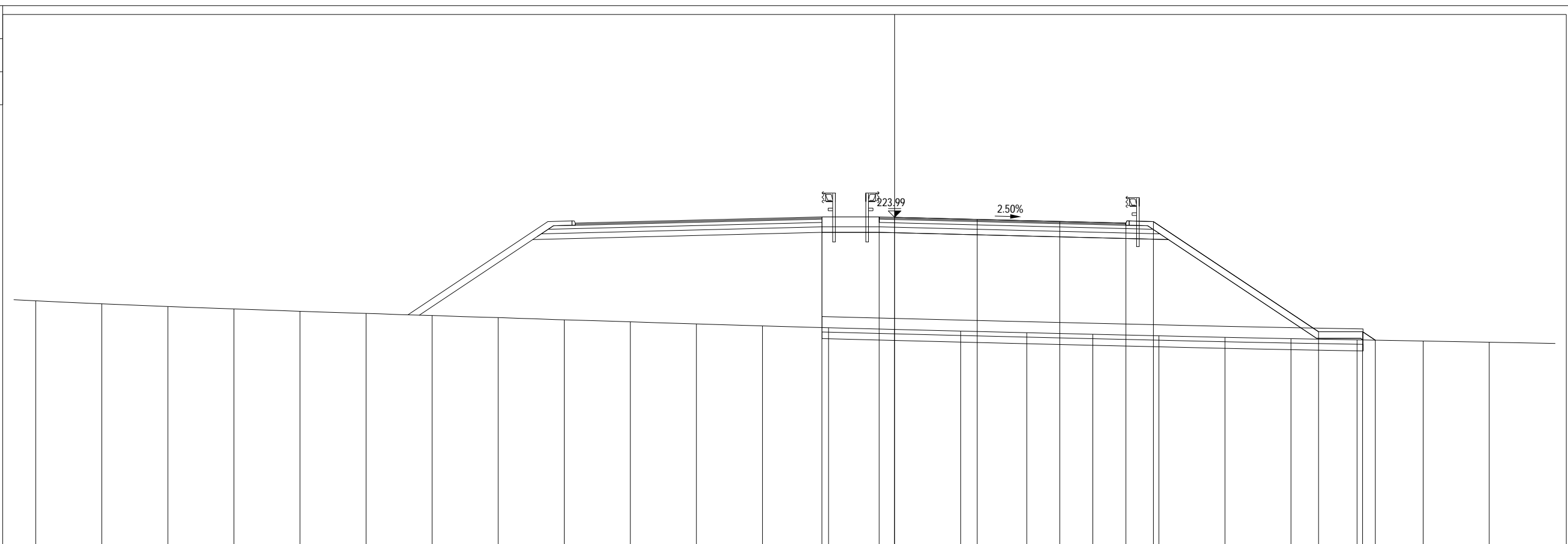
												224.00	224.00	223.98	223.89	223.80	223.72	223.79	219.79			
--	--	--	--	--	--	--	--	--	--	--	--	--------	--------	--------	--------	--------	--------	--------	--------	--	--	--

PROFILO 2.6a\_CUNEO

SEZIONE 177

PROGRESSIVA 3332.50

A RILEVATO	m <sup>2</sup>	84.30
AN ANTICAPILLARE	m <sup>2</sup>	12.21
C BINDER	m <sup>2</sup>	0.56
D BASE	m <sup>2</sup>	1.85
MC MISTO CEMENTATO	m <sup>2</sup>	3.70
MS MISTO STABILIZZATO	m <sup>2</sup>	3.89
VR VEGETALE RIL	m <sup>2</sup>	3.40
a USURA	m	11.20
br BONIFICA	m	24.43
sc SCOTICO	m	24.43
tn TNT	m	24.43



PROGRESSIVE TERRENO

-39.00	-36.00	-33.00	-30.00	-27.00	-24.00	-21.00	-18.00	-15.00	-12.00	-9.00	-6.00	-3.00	0.00	3.00	6.00	9.00	12.00	15.00	18.00	21.00	24.00	27.00
--------	--------	--------	--------	--------	--------	--------	--------	--------	--------	-------	-------	-------	------	------	------	------	-------	-------	-------	-------	-------	-------

PARZIALI TERRENO

3.00	3.00	3.00	3.00	3.00	3.00	3.00	3.00	3.00	3.00	3.00	3.00	3.00	3.00	3.00	3.00	3.00	3.00	3.00	3.00	3.00	3.00	3.00
------	------	------	------	------	------	------	------	------	------	------	------	------	------	------	------	------	------	------	------	------	------	------

QUOTE TERRENO

220.20	220.06	219.94	219.83	219.72	219.62	219.53	219.43	219.33	219.24	219.15	219.06	218.97	218.90	218.82	218.75	218.68	218.61	218.54	218.48	218.42	218.37	218.32
--------	--------	--------	--------	--------	--------	--------	--------	--------	--------	--------	--------	--------	--------	--------	--------	--------	--------	--------	--------	--------	--------	--------

PROGRESSIVE PROGETTO

												-3.30	-0.70	0.00	3.75	7.50	10.50	11.75		19.25	21.25	21.83
--	--	--	--	--	--	--	--	--	--	--	--	-------	-------	------	------	------	-------	-------	--	-------	-------	-------

PARZIALI PROGETTO

												2.60	0.70	3.75	3.75	3.00	1.25	7.50	2.00	0.58	
--	--	--	--	--	--	--	--	--	--	--	--	------	------	------	------	------	------	------	------	------	--

QUOTE PROGETTO

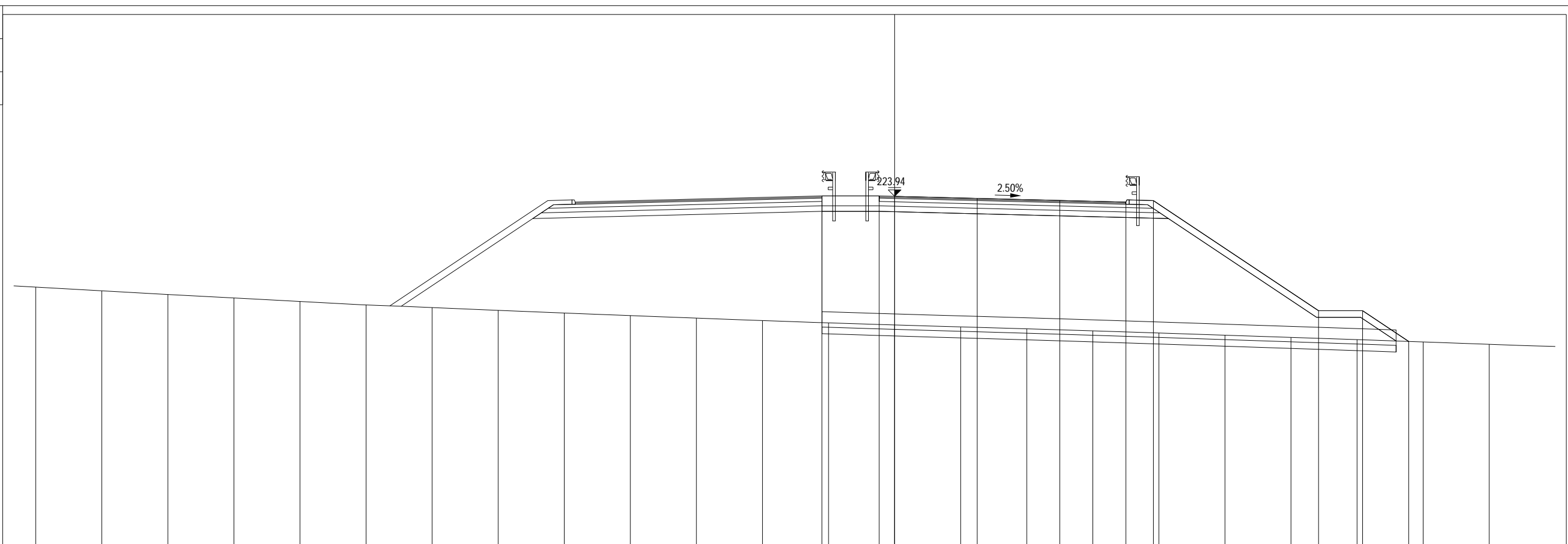
												224.01	224.01	223.99	223.89	223.80	223.73	223.79		218.79	218.79	218.41
--	--	--	--	--	--	--	--	--	--	--	--	--------	--------	--------	--------	--------	--------	--------	--	--------	--------	--------

PROFILO 2.6a\_CUNEO

SEZIONE 178

PROGRESSIVA 3357.50

A RILEVATO	m <sup>2</sup>	104.86
AN ANTICAPILLARE	m <sup>2</sup>	12.98
C BINDER	m <sup>2</sup>	0.56
D BASE	m <sup>2</sup>	1.87
MC MISTO CEMENTATO	m <sup>2</sup>	3.70
MS MISTO STABILIZZATO	m <sup>2</sup>	3.89
VR VEGETALE RIL	m <sup>2</sup>	3.98
a USURA	m	11.20
br BONIFICA	m	25.94
sc SCOTICO	m	25.94
tn TNT	m	25.93



PROGRESSIVE TERRENO

-39.00	-36.00	-33.00	-30.00	-27.00	-24.00	-21.00	-18.00	-15.00	-12.00	-9.00	-6.00	-3.00	0.00	3.00	6.00	9.00	12.00	15.00	18.00	21.00	24.00	27.00
--------	--------	--------	--------	--------	--------	--------	--------	--------	--------	-------	-------	-------	------	------	------	------	-------	-------	-------	-------	-------	-------

PARZIALI TERRENO

3.00	3.00	3.00	3.00	3.00	3.00	3.00	3.00	3.00	3.00	3.00	3.00	3.00	3.00	3.00	3.00	3.00	3.00	3.00	3.00	3.00	3.00	3.00
------	------	------	------	------	------	------	------	------	------	------	------	------	------	------	------	------	------	------	------	------	------	------

QUOTE TERRENO

219.82	219.65	219.48	219.33	219.17	219.01	218.89	218.76	218.64	218.53	218.41	218.30	218.19	218.10	218.01	217.92	217.83	217.73	217.63	217.53	217.43	217.33	217.22
--------	--------	--------	--------	--------	--------	--------	--------	--------	--------	--------	--------	--------	--------	--------	--------	--------	--------	--------	--------	--------	--------	--------

PROGRESSIVE PROGETTO

												-3.30	-0.70	0.00	3.75	7.50	10.50	11.75		19.25	21.25	23.34
--	--	--	--	--	--	--	--	--	--	--	--	-------	-------	------	------	------	-------	-------	--	-------	-------	-------

PARZIALI PROGETTO

												2.60	0.70	3.75	3.75	3.00	1.25	7.50		2.00	2.09	
--	--	--	--	--	--	--	--	--	--	--	--	------	------	------	------	------	------	------	--	------	------	--

QUOTE PROGETTO

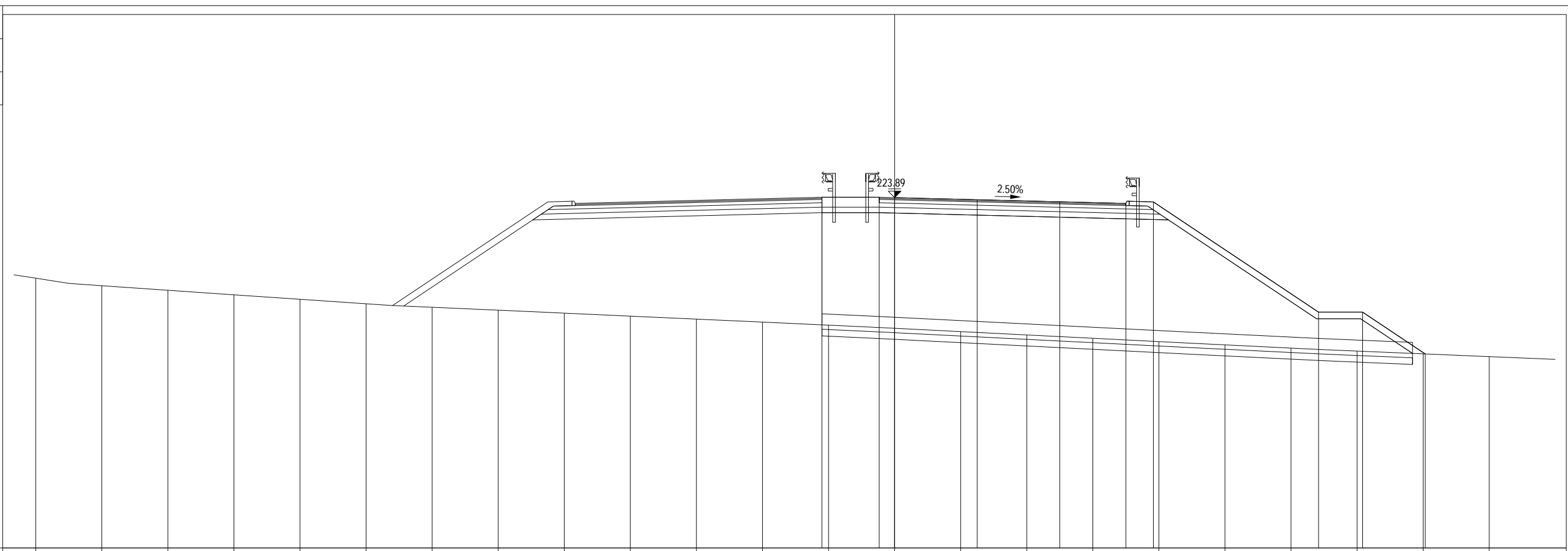
												223.96	223.96	223.94	223.85	223.75	223.68	223.75		218.75	218.75	217.35
--	--	--	--	--	--	--	--	--	--	--	--	--------	--------	--------	--------	--------	--------	--------	--	--------	--------	--------

PROFILO 2.6a\_CUNEO

SEZIONE 179

PROGRESSIVA 3382.50

A RILEVATO	m <sup>2</sup>	112.04
AN ANTICAPILLARE	m <sup>2</sup>	13.33
C BINDER	m <sup>2</sup>	0.56
D BASE	m <sup>2</sup>	1.85
MC MISTO CEMENTATO	m <sup>2</sup>	3.71
MS MISTO STABILIZZATO	m <sup>2</sup>	3.89
VR VEGETALE RIL	m <sup>2</sup>	4.25
a USURA	m	11.20
br BONIFICA	m	26.71
sc SCOTICO	m	26.71
tn TNT	m	26.68



PROGRESSIVE TERRENO

-39.00	-36.00	-33.00	-30.00	-27.00	-24.00	-21.00	-18.00	-15.00	-12.00	-9.00	-6.00	-3.00	0.00	3.00	6.00	9.00	12.00	15.00	18.00	21.00	24.00	27.00
--------	--------	--------	--------	--------	--------	--------	--------	--------	--------	-------	-------	-------	------	------	------	------	-------	-------	-------	-------	-------	-------

PARZIALI TERRENO

3.00	3.00	3.00	3.00	3.00	3.00	3.00	3.00	3.00	3.00	3.00	3.00	3.00	3.00	3.00	3.00	3.00	3.00	3.00	3.00	3.00	3.00	3.00
------	------	------	------	------	------	------	------	------	------	------	------	------	------	------	------	------	------	------	------	------	------	------

QUOTE TERRENO

220.24	219.90	219.69	219.48	219.28	219.08	218.92	218.79	218.65	218.52	218.38	218.25	218.11	217.96	217.81	217.66	217.51	217.36	217.21	217.07	216.93	216.80	216.68
--------	--------	--------	--------	--------	--------	--------	--------	--------	--------	--------	--------	--------	--------	--------	--------	--------	--------	--------	--------	--------	--------	--------

PROGRESSIVE PROGETTO

												-3.30	-0.70	0.00	3.75	7.50	10.50	11.75		19.25	21.25	24.09	
--	--	--	--	--	--	--	--	--	--	--	--	-------	-------	------	------	------	-------	-------	--	-------	-------	-------	--

PARZIALI PROGETTO

												2.60	0.70	3.75	3.75	3.00	1.25	7.50		2.00	2.84	
--	--	--	--	--	--	--	--	--	--	--	--	------	------	------	------	------	------	------	--	------	------	--

QUOTE PROGETTO

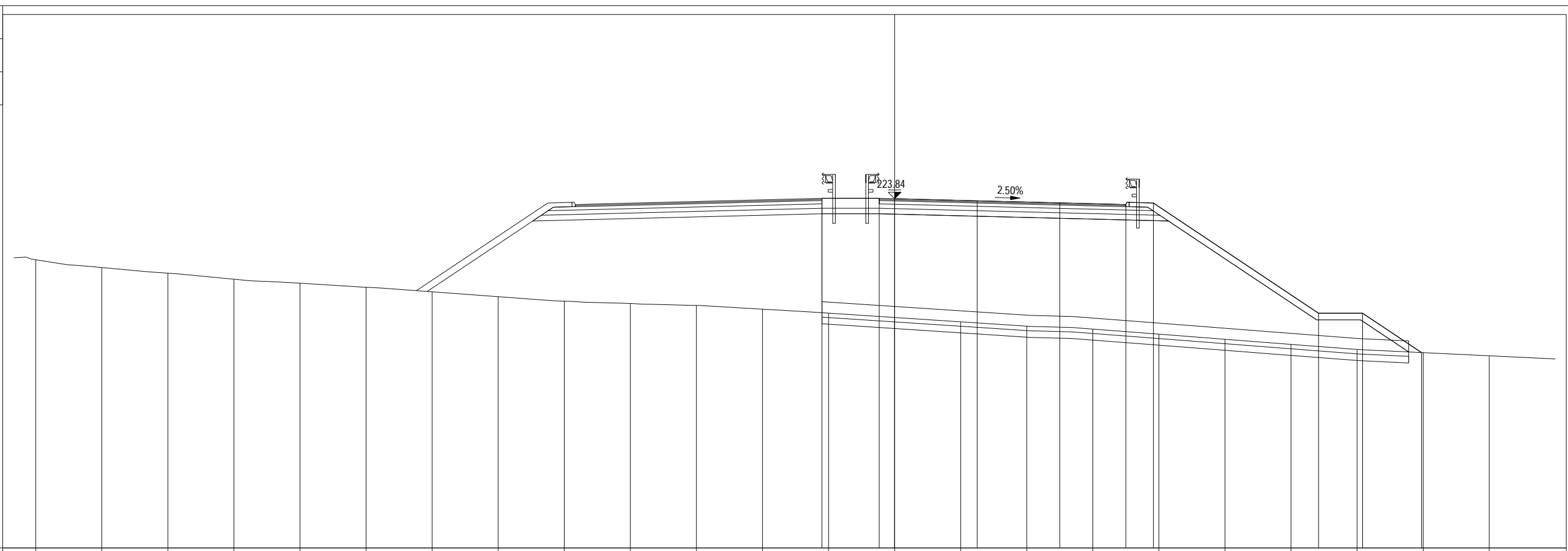
												223.91	223.91	223.89	223.80	223.70	223.63	223.70		218.70	218.70	216.80	
--	--	--	--	--	--	--	--	--	--	--	--	--------	--------	--------	--------	--------	--------	--------	--	--------	--------	--------	--

PROFILO 2.6a\_CUNEO

SEZIONE 180

PROGRESSIVA 3407.50

A RILEVATO	m <sup>2</sup>	101.88
AN ANTICAPILLARE	m <sup>2</sup>	13.26
C BINDER	m <sup>2</sup>	0.56
D BASE	m <sup>2</sup>	1.86
MC MISTO CEMENTATO	m <sup>2</sup>	3.70
MS MISTO STABILIZZATO	m <sup>2</sup>	3.89
VR VEGETALE RIL	m <sup>2</sup>	4.18
a USURA	m	11.20
br BONIFICA	m	26.56
sc SCOTICO	m	26.56
tn TNT	m	26.50



PROGRESSIVE TERRENO

-39.00	-36.00	-33.00	-30.00	-27.00	-24.00	-21.00	-18.00	-15.00	-12.00	-9.00	-6.00	-3.00	0.00	3.00	6.00	9.00	12.00	15.00	18.00	21.00	24.00	27.00
--------	--------	--------	--------	--------	--------	--------	--------	--------	--------	-------	-------	-------	------	------	------	------	-------	-------	-------	-------	-------	-------

PARZIALI TERRENO

3.00	3.00	3.00	3.00	3.00	3.00	3.00	3.00	3.00	3.00	3.00	3.00	3.00	3.00	3.00	3.00	3.00	3.00	3.00	3.00	3.00	3.00	3.00
------	------	------	------	------	------	------	------	------	------	------	------	------	------	------	------	------	------	------	------	------	------	------

QUOTE TERRENO

221.07	220.72	220.46	220.19	220.01	219.82	219.62	219.40	219.20	219.09	219.00	218.83	218.65	218.45	218.26	218.06	217.93	217.70	217.47	217.23	217.00	216.86	216.72
--------	--------	--------	--------	--------	--------	--------	--------	--------	--------	--------	--------	--------	--------	--------	--------	--------	--------	--------	--------	--------	--------	--------

PROGRESSIVE PROGETTO

												-3.30	-0.70	0.00	3.75	7.50	10.50	11.75		19.25	21.25	23.93
--	--	--	--	--	--	--	--	--	--	--	--	-------	-------	------	------	------	-------	-------	--	-------	-------	-------

PARZIALI PROGETTO

												2.60	0.70	3.75	3.75	3.00	1.25	7.50		2.00	2.68	
--	--	--	--	--	--	--	--	--	--	--	--	------	------	------	------	------	------	------	--	------	------	--

QUOTE PROGETTO

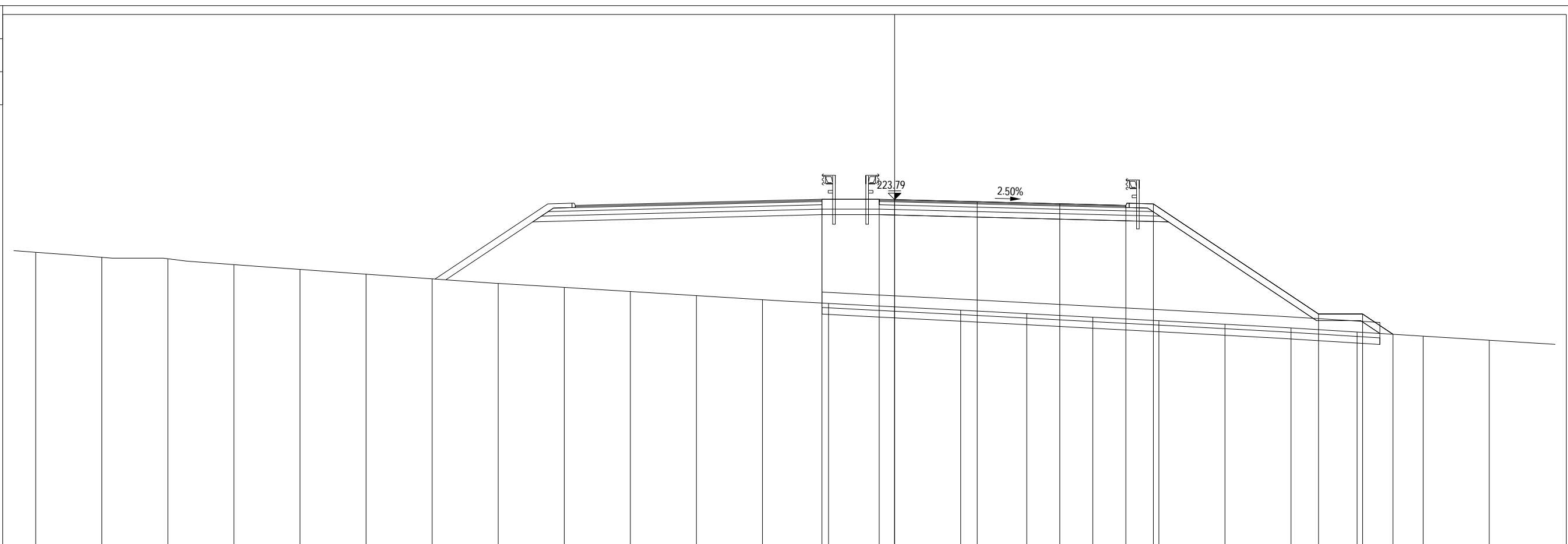
												223.86	223.86	223.84	223.75	223.65	223.58	223.65		218.65	218.65	216.86
--	--	--	--	--	--	--	--	--	--	--	--	--------	--------	--------	--------	--------	--------	--------	--	--------	--------	--------

PROFILO 2.6a\_CUNEO

SEZIONE 181

PROGRESSIVA 3432.50

A RILEVATO	m <sup>2</sup>	85.34
AN ANTICAPILLARE	m <sup>2</sup>	12.60
C BINDER	m <sup>2</sup>	0.56
D BASE	m <sup>2</sup>	1.85
MC MISTO CEMENTATO	m <sup>2</sup>	3.69
MS MISTO STABILIZZATO	m <sup>2</sup>	3.90
VR VEGETALE RIL	m <sup>2</sup>	3.73
a USURA	m	11.20
br BONIFICA	m	25.23
sc SCOTICO	m	25.23
tn TNT	m	25.19



PROGRESSIVE TERRENO

-39.00	-36.00	-33.00	-30.00	-27.00	-24.00	-21.00	-18.00	-15.00	-12.00	-9.00	-6.00	-3.00	0.00	3.00	6.00	9.00	12.00	15.00	18.00	21.00	24.00	27.00
--------	--------	--------	--------	--------	--------	--------	--------	--------	--------	-------	-------	-------	------	------	------	------	-------	-------	-------	-------	-------	-------

PARZIALI TERRENO

3.00	3.00	3.00	3.00	3.00	3.00	3.00	3.00	3.00	3.00	3.00	3.00	3.00	3.00	3.00	3.00	3.00	3.00	3.00	3.00	3.00	3.00	3.00
------	------	------	------	------	------	------	------	------	------	------	------	------	------	------	------	------	------	------	------	------	------	------

QUOTE TERRENO

221.40	221.17	221.11	220.84	220.62	220.40	220.19	219.99	219.81	219.62	219.43	219.25	219.08	218.92	218.77	218.61	218.45	218.29	218.13	217.96	217.78	217.59	217.41
--------	--------	--------	--------	--------	--------	--------	--------	--------	--------	--------	--------	--------	--------	--------	--------	--------	--------	--------	--------	--------	--------	--------

PROGRESSIVE PROGETTO

												-3.30	-0.70	0.00	3.75	7.50	10.50	11.75		19.25	21.25	22.63
--	--	--	--	--	--	--	--	--	--	--	--	-------	-------	------	------	------	-------	-------	--	-------	-------	-------

PARZIALI PROGETTO

												2.60	0.70	3.75	3.75	3.00	1.25	7.50		2.00	1.38	
--	--	--	--	--	--	--	--	--	--	--	--	------	------	------	------	------	------	------	--	------	------	--

QUOTE PROGETTO

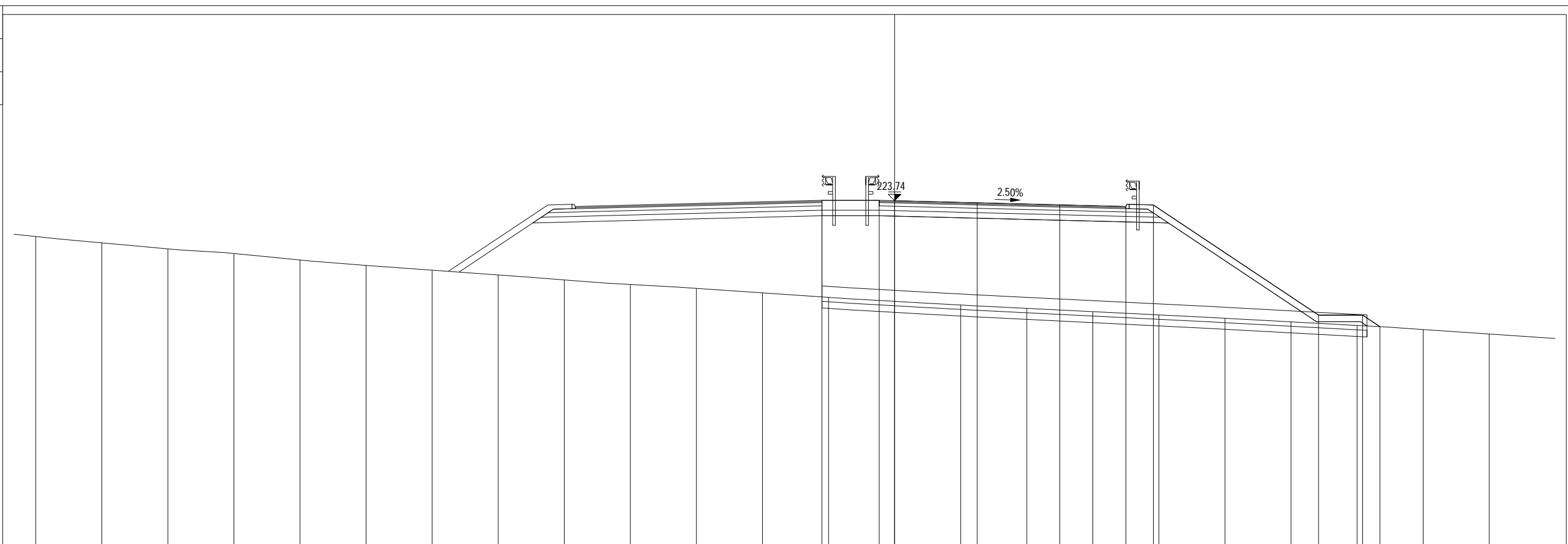
												223.81	223.81	223.79	223.70	223.60	223.53	223.60		218.60	218.60	217.68
--	--	--	--	--	--	--	--	--	--	--	--	--------	--------	--------	--------	--------	--------	--------	--	--------	--------	--------

PROFILO 2.6a\_CUNEO

SEZIONE 182

PROGRESSIVA 3457.50

A RILEVATO	m <sup>2</sup>	77.64
AN ANTICAPILLARE	m <sup>2</sup>	12.30
C BINDER	m <sup>2</sup>	0.56
D BASE	m <sup>2</sup>	1.86
MC MISTO CEMENTATO	m <sup>2</sup>	3.70
MS MISTO STABILIZZATO	m <sup>2</sup>	3.91
VR VEGETALE RIL	m <sup>2</sup>	3.51
a USURA	m	11.20
br BONIFICA	m	24.61
sc SCOTICO	m	24.61
tn TNT	m	24.60



PROGRESSIVE TERRENO

-39.00	-36.00	-33.00	-30.00	-27.00	-24.00	-21.00	-18.00	-15.00	-12.00	-9.00	-6.00	-3.00	0.00	3.00	6.00	9.00	12.00	15.00	18.00	21.00	24.00	27.00
--------	--------	--------	--------	--------	--------	--------	--------	--------	--------	-------	-------	-------	------	------	------	------	-------	-------	-------	-------	-------	-------

PARZIALI TERRENO

3.00	3.00	3.00	3.00	3.00	3.00	3.00	3.00	3.00	3.00	3.00	3.00	3.00	3.00	3.00	3.00	3.00	3.00	3.00	3.00	3.00	3.00	3.00
------	------	------	------	------	------	------	------	------	------	------	------	------	------	------	------	------	------	------	------	------	------	------

QUOTE TERRENO

222.12	221.83	221.55	221.34	221.05	220.80	220.59	220.37	220.14	219.94	219.76	219.56	219.35	219.17	219.01	218.85	218.70	218.56	218.40	218.24	218.08	217.89	217.69
--------	--------	--------	--------	--------	--------	--------	--------	--------	--------	--------	--------	--------	--------	--------	--------	--------	--------	--------	--------	--------	--------	--------

PROGRESSIVE PROGETTO

												-3.30	-0.70	0.00	3.75	7.50	10.50	11.75		19.25	21.25	22.04
--	--	--	--	--	--	--	--	--	--	--	--	-------	-------	------	------	------	-------	-------	--	-------	-------	-------

PARZIALI PROGETTO

												2.60	0.70	3.75	3.75	3.00	1.25	7.50		2.00	0.79	
--	--	--	--	--	--	--	--	--	--	--	--	------	------	------	------	------	------	------	--	------	------	--

QUOTE PROGETTO

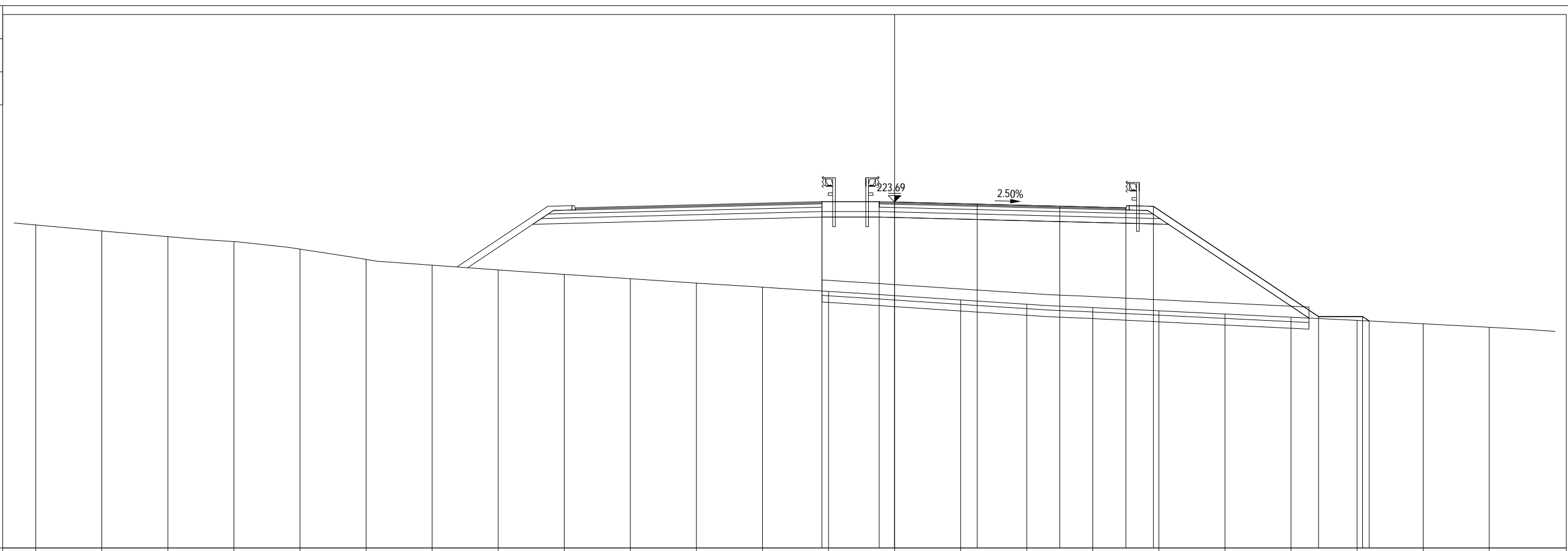
												223.76	223.76	223.74	223.65	223.55	223.48	223.55		218.55	218.55	218.02
--	--	--	--	--	--	--	--	--	--	--	--	--------	--------	--------	--------	--------	--------	--------	--	--------	--------	--------

PROFILO 2.6a\_CUNEO

SEZIONE 183

PROGRESSIVA 3482.50

A RILEVATO	m <sup>2</sup>	71.08
AN ANTICAPILLARE	m <sup>2</sup>	11.09
C BINDER	m <sup>2</sup>	0.56
D BASE	m <sup>2</sup>	1.86
MC MISTO CEMENTATO	m <sup>2</sup>	3.69
MS MISTO STABILIZZATO	m <sup>2</sup>	3.90
VR VEGETALE RIL	m <sup>2</sup>	3.12
a USURA	m	11.20
br BONIFICA	m	22.19
sc SCOTICO	m	22.19
tn TNT	m	22.17



PROGRESSIVE TERRENO

-39.00	-36.00	-33.00	-30.00	-27.00	-24.00	-21.00	-18.00	-15.00	-12.00	-9.00	-6.00	-3.00	0.00	3.00	6.00	9.00	12.00	15.00	18.00	21.00	24.00	27.00
--------	--------	--------	--------	--------	--------	--------	--------	--------	--------	-------	-------	-------	------	------	------	------	-------	-------	-------	-------	-------	-------

PARZIALI TERRENO

3.00	3.00	3.00	3.00	3.00	3.00	3.00	3.00	3.00	3.00	3.00	3.00	3.00	3.00	3.00	3.00	3.00	3.00	3.00	3.00	3.00	3.00	3.00
------	------	------	------	------	------	------	------	------	------	------	------	------	------	------	------	------	------	------	------	------	------	------

QUOTE TERRENO

222.65	222.38	222.12	221.90	221.56	221.09	220.83	220.61	220.41	220.21	220.01	219.83	219.64	219.45	219.25	219.05	218.90	218.76	218.61	218.47	218.32	218.17	218.01
--------	--------	--------	--------	--------	--------	--------	--------	--------	--------	--------	--------	--------	--------	--------	--------	--------	--------	--------	--------	--------	--------	--------

PROGRESSIVE PROGETTO

												-3.30	-0.70	0.00	3.75	7.50	10.50	11.75	19.25	21.25	21.55	
--	--	--	--	--	--	--	--	--	--	--	--	-------	-------	------	------	------	-------	-------	-------	-------	-------	--

PARZIALI PROGETTO

												2.60	0.70	3.75	3.75	3.00	1.25	7.50	2.00	0.30	
--	--	--	--	--	--	--	--	--	--	--	--	------	------	------	------	------	------	------	------	------	--

QUOTE PROGETTO

												223.71	223.71	223.69	223.60	223.50	223.43	223.50	218.50	218.50	218.30	
--	--	--	--	--	--	--	--	--	--	--	--	--------	--------	--------	--------	--------	--------	--------	--------	--------	--------	--

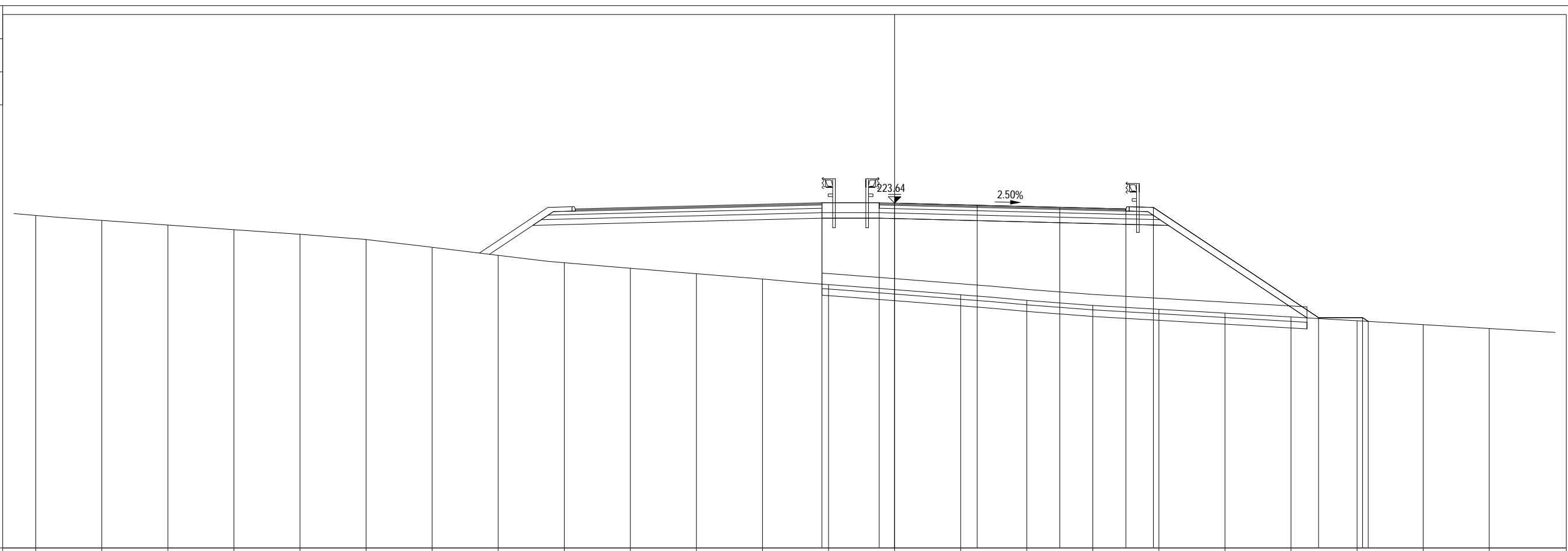


PROFILO 2.6a\_CUNEO

SEZIONE 184

PROGRESSIVA 3507.50

A RILEVATO	m <sup>2</sup>	66.70
AN ANTICAPILLARE	m <sup>2</sup>	11.05
C BINDER	m <sup>2</sup>	0.56
D BASE	m <sup>2</sup>	1.85
MC MISTO CEMENTATO	m <sup>2</sup>	3.70
MS MISTO STABILIZZATO	m <sup>2</sup>	3.90
VR VEGETALE RIL	m <sup>2</sup>	2.99
a USURA	m	11.20
br BONIFICA	m	22.09
sc SCOTICO	m	22.09
tn TNT	m	22.08



PROGRESSIVE TERRENO

-39.00	-36.00	-33.00	-30.00	-27.00	-24.00	-21.00	-18.00	-15.00	-12.00	-9.00	-6.00	-3.00	0.00	3.00	6.00	9.00	12.00	15.00	18.00	21.00	24.00	27.00
--------	--------	--------	--------	--------	--------	--------	--------	--------	--------	-------	-------	-------	------	------	------	------	-------	-------	-------	-------	-------	-------

PARZIALI TERRENO

3.00	3.00	3.00	3.00	3.00	3.00	3.00	3.00	3.00	3.00	3.00	3.00	3.00	3.00	3.00	3.00	3.00	3.00	3.00	3.00	3.00	3.00	3.00
------	------	------	------	------	------	------	------	------	------	------	------	------	------	------	------	------	------	------	------	------	------	------

QUOTE TERRENO

223.08	222.86	222.65	222.44	222.23	221.99	221.64	221.27	220.94	220.69	220.44	220.20	219.94	219.72	219.48	219.23	219.00	218.83	218.65	218.48	218.31	218.13	217.95
--------	--------	--------	--------	--------	--------	--------	--------	--------	--------	--------	--------	--------	--------	--------	--------	--------	--------	--------	--------	--------	--------	--------

PROGRESSIVE PROGETTO

												-3.30	-0.70	0.00	3.75	7.50	10.50	11.75	19.25	21.25	21.50	
--	--	--	--	--	--	--	--	--	--	--	--	-------	-------	------	------	------	-------	-------	-------	-------	-------	--

PARZIALI PROGETTO

												2.60	0.70	3.75	3.75	3.00	1.25	7.50	2.00	0.25		
--	--	--	--	--	--	--	--	--	--	--	--	------	------	------	------	------	------	------	------	------	--	--

QUOTE PROGETTO

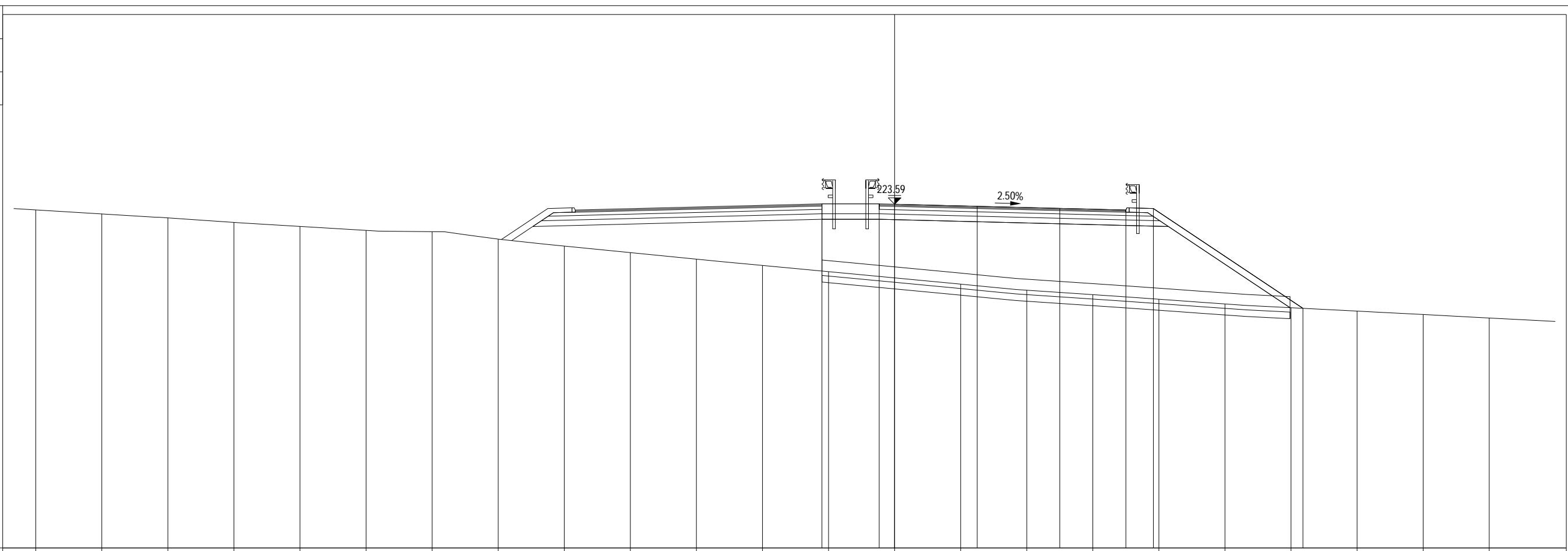
												223.66	223.66	223.64	223.55	223.45	223.38	223.45	218.45	218.45	218.28	
--	--	--	--	--	--	--	--	--	--	--	--	--------	--------	--------	--------	--------	--------	--------	--------	--------	--------	--

PROFILO 2.6a\_CUNEO

SEZIONE 185

PROGRESSIVA 3532.50

A RILEVATO	m <sup>2</sup>	55.35
AN ANTICAPILLARE	m <sup>2</sup>	10.65
C BINDER	m <sup>2</sup>	0.56
D BASE	m <sup>2</sup>	1.86
MC MISTO CEMENTATO	m <sup>2</sup>	3.69
MS MISTO STABILIZZATO	m <sup>2</sup>	3.90
VR VEGETALE RIL	m <sup>2</sup>	2.61
a USURA	m	11.20
br BONIFICA	m	21.37
sc SCOTICO	m	21.37
tn TNT	m	21.31



PROGRESSIVE TERRENO

-39.00	-36.00	-33.00	-30.00	-27.00	-24.00	-21.00	-18.00	-15.00	-12.00	-9.00	-6.00	-3.00	0.00	3.00	6.00	9.00	12.00	15.00	18.00	21.00	24.00	27.00
--------	--------	--------	--------	--------	--------	--------	--------	--------	--------	-------	-------	-------	------	------	------	------	-------	-------	-------	-------	-------	-------

PARZIALI TERRENO

3.00	3.00	3.00	3.00	3.00	3.00	3.00	3.00	3.00	3.00	3.00	3.00	3.00	3.00	3.00	3.00	3.00	3.00	3.00	3.00	3.00	3.00	3.00
------	------	------	------	------	------	------	------	------	------	------	------	------	------	------	------	------	------	------	------	------	------	------

QUOTE TERRENO

223.33	223.15	222.97	222.77	222.59	222.41	222.35	222.01	221.69	221.40	221.10	220.82	220.53	220.25	219.97	219.69	219.49	219.28	219.07	218.90	218.74	218.59	218.43
--------	--------	--------	--------	--------	--------	--------	--------	--------	--------	--------	--------	--------	--------	--------	--------	--------	--------	--------	--------	--------	--------	--------

PROGRESSIVE PROGETTO

												-3.30	-0.70	0.00	3.75	7.50	10.50	11.75		18.54		
--	--	--	--	--	--	--	--	--	--	--	--	-------	-------	------	------	------	-------	-------	--	-------	--	--

PARZIALI PROGETTO

												2.60	0.70	3.75	3.75	3.00	1.25	6.79				
--	--	--	--	--	--	--	--	--	--	--	--	------	------	------	------	------	------	------	--	--	--	--

QUOTE PROGETTO

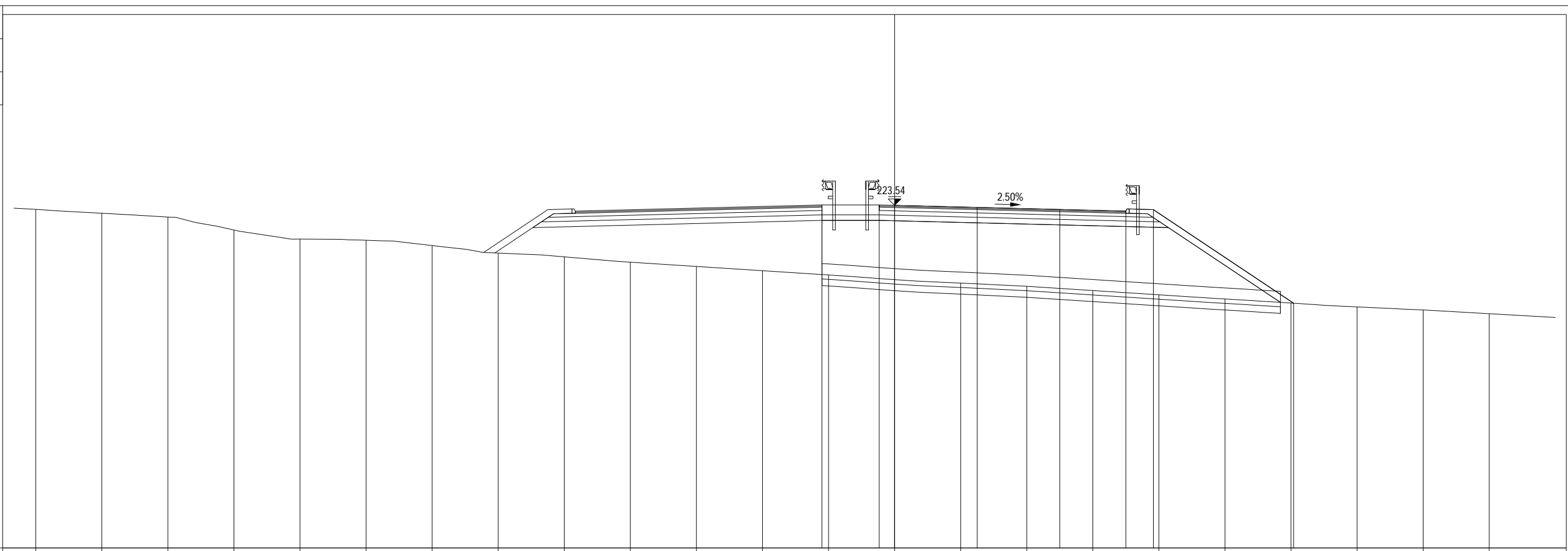
												223.61	223.61	223.59	223.50	223.40	223.33	223.40		218.87		
--	--	--	--	--	--	--	--	--	--	--	--	--------	--------	--------	--------	--------	--------	--------	--	--------	--	--

PROFILO 2.6a\_CUNEO

SEZIONE 186

PROGRESSIVA 3557.50

A RILEVATO	m <sup>2</sup>	51.98
AN ANTICAPILLARE	m <sup>2</sup>	10.45
C BINDER	m <sup>2</sup>	0.56
D BASE	m <sup>2</sup>	1.86
MC MISTO CEMENTATO	m <sup>2</sup>	3.70
MS MISTO STABILIZZATO	m <sup>2</sup>	3.90
VR VEGETALE RIL	m <sup>2</sup>	2.46
a USURA	m	11.20
br BONIFICA	m	20.89
sc SCOTICO	m	20.89
tn TNT	m	20.87



PROGRESSIVE TERRENO

-39.00	-36.00	-33.00	-30.00	-27.00	-24.00	-21.00	-18.00	-15.00	-12.00	-9.00	-6.00	-3.00	0.00	3.00	6.00	9.00	12.00	15.00	18.00	21.00	24.00	27.00
--------	--------	--------	--------	--------	--------	--------	--------	--------	--------	-------	-------	-------	------	------	------	------	-------	-------	-------	-------	-------	-------

PARZIALI TERRENO

3.00	3.00	3.00	3.00	3.00	3.00	3.00	3.00	3.00	3.00	3.00	3.00	3.00	3.00	3.00	3.00	3.00	3.00	3.00	3.00	3.00	3.00	3.00
------	------	------	------	------	------	------	------	------	------	------	------	------	------	------	------	------	------	------	------	------	------	------

QUOTE TERRENO

223.36	223.18	223.01	222.42	222.01	221.96	221.72	221.38	221.21	220.96	220.77	220.58	220.38	220.17	220.01	219.87	219.68	219.48	219.29	219.11	218.93	218.80	218.63
--------	--------	--------	--------	--------	--------	--------	--------	--------	--------	--------	--------	--------	--------	--------	--------	--------	--------	--------	--------	--------	--------	--------

PROGRESSIVE PROGETTO

												-3.30	-0.70	0.00	3.75	7.50	10.50	11.75		18.12		
--	--	--	--	--	--	--	--	--	--	--	--	-------	-------	------	------	------	-------	-------	--	-------	--	--

PARZIALI PROGETTO

												2.60	0.70	3.75	3.75	3.00	1.25	6.37				
--	--	--	--	--	--	--	--	--	--	--	--	------	------	------	------	------	------	------	--	--	--	--

QUOTE PROGETTO

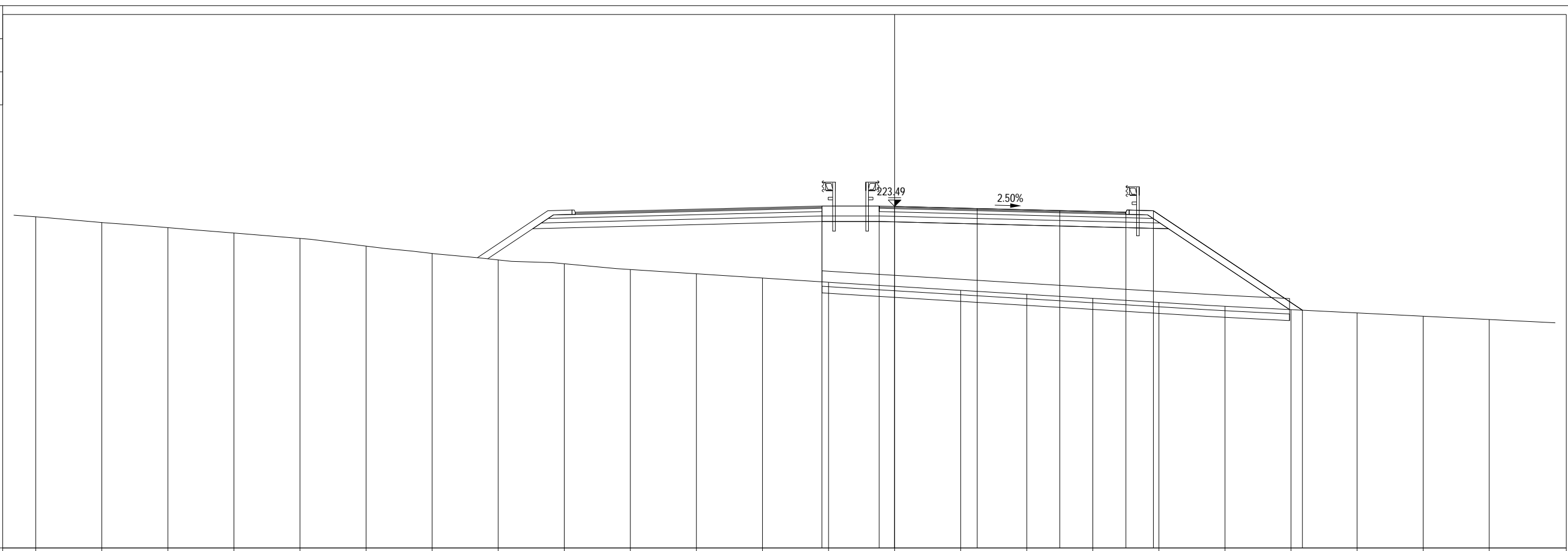
												223.56	223.56	223.54	223.45	223.35	223.28	223.35		219.10		
--	--	--	--	--	--	--	--	--	--	--	--	--------	--------	--------	--------	--------	--------	--------	--	--------	--	--

PROFILO 2.6a\_CUNEO

SEZIONE 187

PROGRESSIVA 3582.50

A RILEVATO	m <sup>2</sup>	57.92
AN ANTICAPILLARE	m <sup>2</sup>	10.64
C BINDER	m <sup>2</sup>	0.56
D BASE	m <sup>2</sup>	1.86
MC MISTO CEMENTATO	m <sup>2</sup>	3.70
MS MISTO STABILIZZATO	m <sup>2</sup>	3.90
VR VEGETALE RIL	m <sup>2</sup>	2.60
a USURA	m	11.20
br BONIFICA	m	21.32
sc SCOTICO	m	21.32
tn TNT	m	21.28



PROGRESSIVE TERRENO

-39.00	-36.00	-33.00	-30.00	-27.00	-24.00	-21.00	-18.00	-15.00	-12.00	-9.00	-6.00	-3.00	0.00	3.00	6.00	9.00	12.00	15.00	18.00	21.00	24.00	27.00
--------	--------	--------	--------	--------	--------	--------	--------	--------	--------	-------	-------	-------	------	------	------	------	-------	-------	-------	-------	-------	-------

PARZIALI TERRENO

3.00	3.00	3.00	3.00	3.00	3.00	3.00	3.00	3.00	3.00	3.00	3.00	3.00	3.00	3.00	3.00	3.00	3.00	3.00	3.00	3.00	3.00	3.00
------	------	------	------	------	------	------	------	------	------	------	------	------	------	------	------	------	------	------	------	------	------	------

QUOTE TERRENO

223.02	222.76	222.53	222.29	222.04	221.69	221.36	221.07	220.89	220.63	220.44	220.24	220.05	219.87	219.69	219.50	219.32	219.14	218.96	218.81	218.66	218.51	218.36
--------	--------	--------	--------	--------	--------	--------	--------	--------	--------	--------	--------	--------	--------	--------	--------	--------	--------	--------	--------	--------	--------	--------

PROGRESSIVE PROGETTO

												-3.30	-0.70	0.00	3.75	7.50	10.50	11.75	18.52			
--	--	--	--	--	--	--	--	--	--	--	--	-------	-------	------	------	------	-------	-------	-------	--	--	--

PARZIALI PROGETTO

												2.60	0.70	3.75	3.75	3.00	1.25	6.77				
--	--	--	--	--	--	--	--	--	--	--	--	------	------	------	------	------	------	------	--	--	--	--

QUOTE PROGETTO

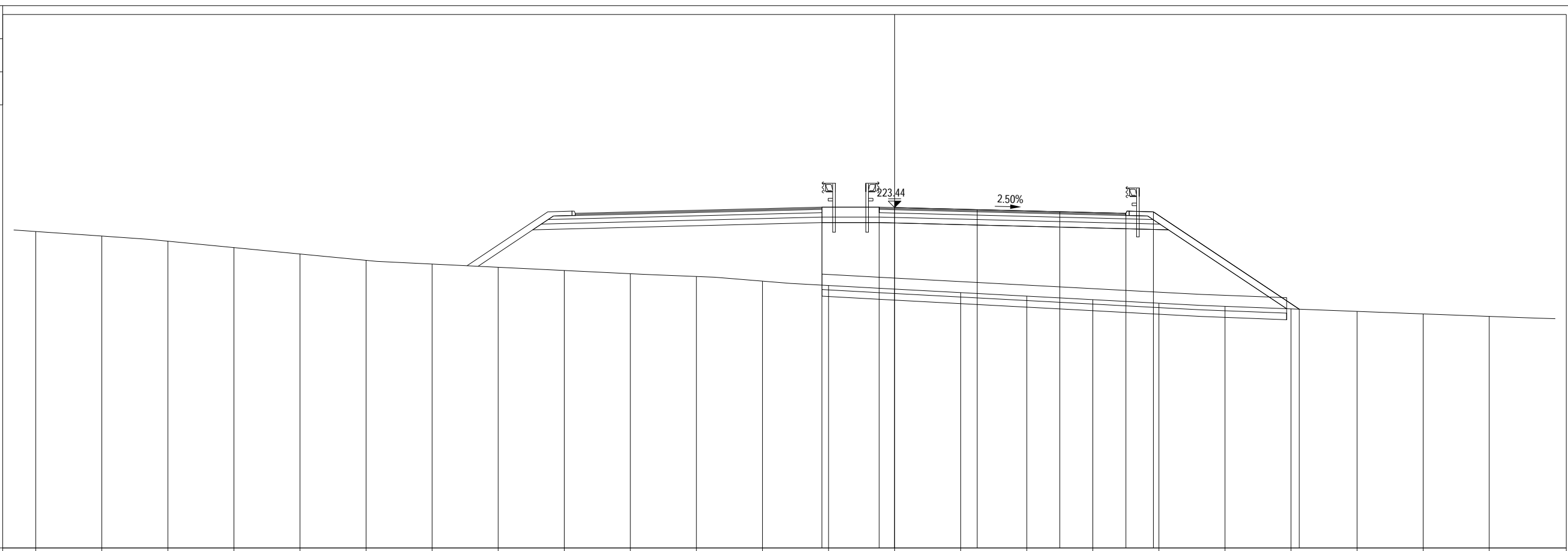
												223.51	223.51	223.49	223.40	223.30	223.23	223.30	218.78			
--	--	--	--	--	--	--	--	--	--	--	--	--------	--------	--------	--------	--------	--------	--------	--------	--	--	--

PROFILO 2.6a\_CUNEO

SEZIONE 188

PROGRESSIVA 3607.50

A RILEVATO	m <sup>2</sup>	58.36
AN ANTICAPILLARE	m <sup>2</sup>	10.57
C BINDER	m <sup>2</sup>	0.56
D BASE	m <sup>2</sup>	1.86
MC MISTO CEMENTATO	m <sup>2</sup>	3.70
MS MISTO STABILIZZATO	m <sup>2</sup>	3.90
VR VEGETALE RIL	m <sup>2</sup>	2.57
a USURA	m	11.20
br BONIFICA	m	21.17
sc SCOTICO	m	21.17
tn TNT	m	21.15



PROGRESSIVE TERRENO

-39.00	-36.00	-33.00	-30.00	-27.00	-24.00	-21.00	-18.00	-15.00	-12.00	-9.00	-6.00	-3.00	0.00	3.00	6.00	9.00	12.00	15.00	18.00	21.00	24.00	27.00
--------	--------	--------	--------	--------	--------	--------	--------	--------	--------	-------	-------	-------	------	------	------	------	-------	-------	-------	-------	-------	-------

PARZIALI TERRENO

3.00	3.00	3.00	3.00	3.00	3.00	3.00	3.00	3.00	3.00	3.00	3.00	3.00	3.00	3.00	3.00	3.00	3.00	3.00	3.00	3.00	3.00	3.00
------	------	------	------	------	------	------	------	------	------	------	------	------	------	------	------	------	------	------	------	------	------	------

QUOTE TERRENO

222.36	222.15	221.92	221.63	221.33	221.05	220.88	220.73	220.59	220.44	220.31	220.10	219.91	219.74	219.58	219.42	219.26	219.10	218.96	218.84	218.73	218.62	218.50
--------	--------	--------	--------	--------	--------	--------	--------	--------	--------	--------	--------	--------	--------	--------	--------	--------	--------	--------	--------	--------	--------	--------

PROGRESSIVE PROGETTO

												-3.30	-0.70	0.00	3.75	7.50	10.50	11.75		18.37		
--	--	--	--	--	--	--	--	--	--	--	--	-------	-------	------	------	------	-------	-------	--	-------	--	--

PARZIALI PROGETTO

												2.60	0.70	3.75	3.75	3.00	1.25	6.62				
--	--	--	--	--	--	--	--	--	--	--	--	------	------	------	------	------	------	------	--	--	--	--

QUOTE PROGETTO

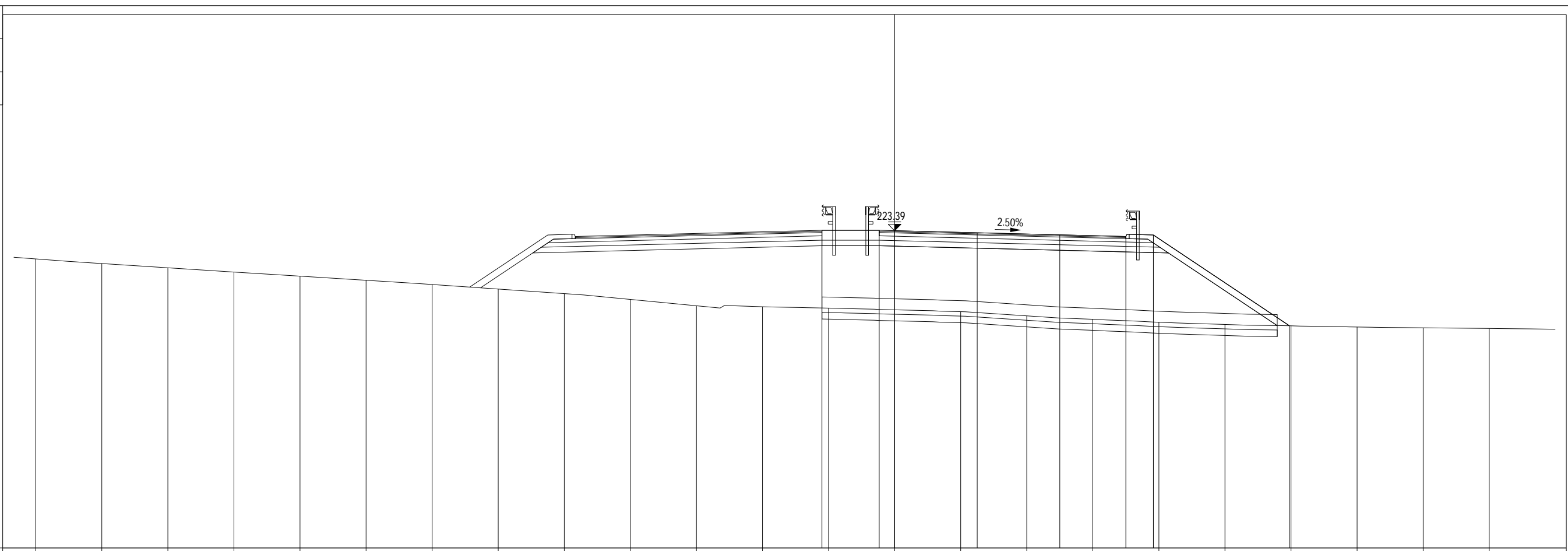
												223.46	223.46	223.44	223.35	223.25	223.18	223.25		218.83		
--	--	--	--	--	--	--	--	--	--	--	--	--------	--------	--------	--------	--------	--------	--------	--	--------	--	--

PROFILO 2.6a\_CUNEO

SEZIONE 189

PROGRESSIVA 3632.50

A RILEVATO	m <sup>2</sup>	54.94
AN ANTICAPILLARE	m <sup>2</sup>	10.36
C BINDER	m <sup>2</sup>	0.56
D BASE	m <sup>2</sup>	1.85
MC MISTO CEMENTATO	m <sup>2</sup>	3.70
MS MISTO STABILIZZATO	m <sup>2</sup>	3.90
VR VEGETALE RIL	m <sup>2</sup>	2.41
a USURA	m	11.20
br BONIFICA	m	20.73
sc SCOTICO	m	20.73
tn TNT	m	20.72



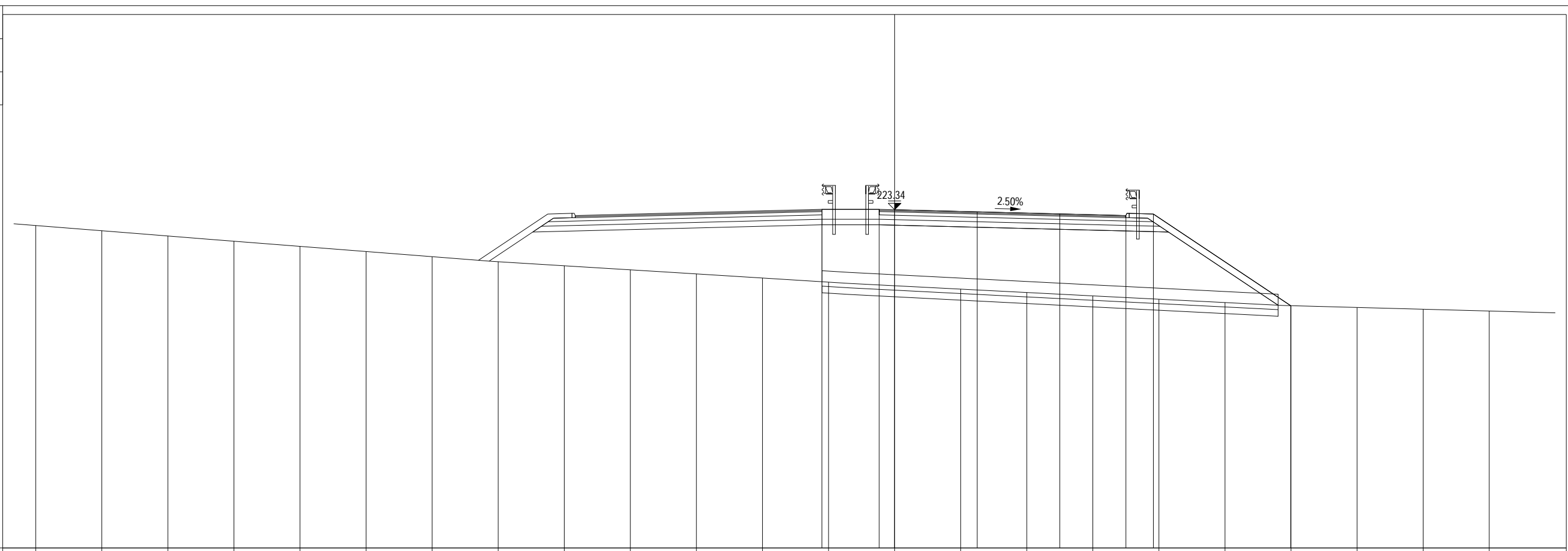
PROGRESSIVE TERRENO	-39.00	-36.00	-33.00	-30.00	-27.00	-24.00	-21.00	-18.00	-15.00	-12.00	-9.00	-6.00	-3.00	0.00	3.00	6.00	9.00	12.00	15.00	18.00	21.00	24.00	27.00
PARZIALI TERRENO		3.00	3.00	3.00	3.00	3.00	3.00	3.00	3.00	3.00	3.00	3.00	3.00	3.00	3.00	3.00	3.00	3.00	3.00	3.00	3.00	3.00	3.00
QUOTE TERRENO	222.11	221.90	221.71	221.52	221.33	221.14	220.95	220.74	220.54	220.27	219.99	219.94	219.88	219.80	219.72	219.53	219.37	219.24	219.14	219.08	219.02	218.99	218.96
PROGRESSIVE PROGETTO													-3.30	-0.70	0.00	3.75	7.50	10.50	11.75	17.93			
PARZIALI PROGETTO													2.60	0.70	3.75	3.75	3.00	1.25	6.18				
QUOTE PROGETTO													223.41	223.41	223.39	223.30	223.20	223.13	223.20	219.08			

PROFILO 2.6a\_CUNEO

SEZIONE 190

PROGRESSIVA 3657.50

A RILEVATO	m <sup>2</sup>	52.79
AN ANTICAPILLARE	m <sup>2</sup>	10.38
C BINDER	m <sup>2</sup>	0.56
D BASE	m <sup>2</sup>	1.86
MC MISTO CEMENTATO	m <sup>2</sup>	3.70
MS MISTO STABILIZZATO	m <sup>2</sup>	3.90
VR VEGETALE RIL	m <sup>2</sup>	2.41
a USURA	m	11.20
br BONIFICA	m	20.78
sc SCOTICO	m	20.78
tn TNT	m	20.76



PROGRESSIVE TERRENO

-39.00	-36.00	-33.00	-30.00	-27.00	-24.00	-21.00	-18.00	-15.00	-12.00	-9.00	-6.00	-3.00	0.00	3.00	6.00	9.00	12.00	15.00	18.00	21.00	24.00	27.00
--------	--------	--------	--------	--------	--------	--------	--------	--------	--------	-------	-------	-------	------	------	------	------	-------	-------	-------	-------	-------	-------

PARZIALI TERRENO

3.00	3.00	3.00	3.00	3.00	3.00	3.00	3.00	3.00	3.00	3.00	3.00	3.00	3.00	3.00	3.00	3.00	3.00	3.00	3.00	3.00	3.00	3.00
------	------	------	------	------	------	------	------	------	------	------	------	------	------	------	------	------	------	------	------	------	------	------

QUOTE TERRENO

222.63	222.39	222.15	221.91	221.68	221.45	221.21	220.98	220.80	220.62	220.43	220.24	220.06	219.89	219.74	219.59	219.43	219.28	219.13	218.99	218.91	218.83	218.75
--------	--------	--------	--------	--------	--------	--------	--------	--------	--------	--------	--------	--------	--------	--------	--------	--------	--------	--------	--------	--------	--------	--------

PROGRESSIVE PROGETTO

												-3.30	-0.70	0.00	3.75	7.50	10.50	11.75	17.98			
--	--	--	--	--	--	--	--	--	--	--	--	-------	-------	------	------	------	-------	-------	-------	--	--	--

PARZIALI PROGETTO

												2.60	0.70	3.75	3.75	3.00	1.25	6.23				
--	--	--	--	--	--	--	--	--	--	--	--	------	------	------	------	------	------	------	--	--	--	--

QUOTE PROGETTO

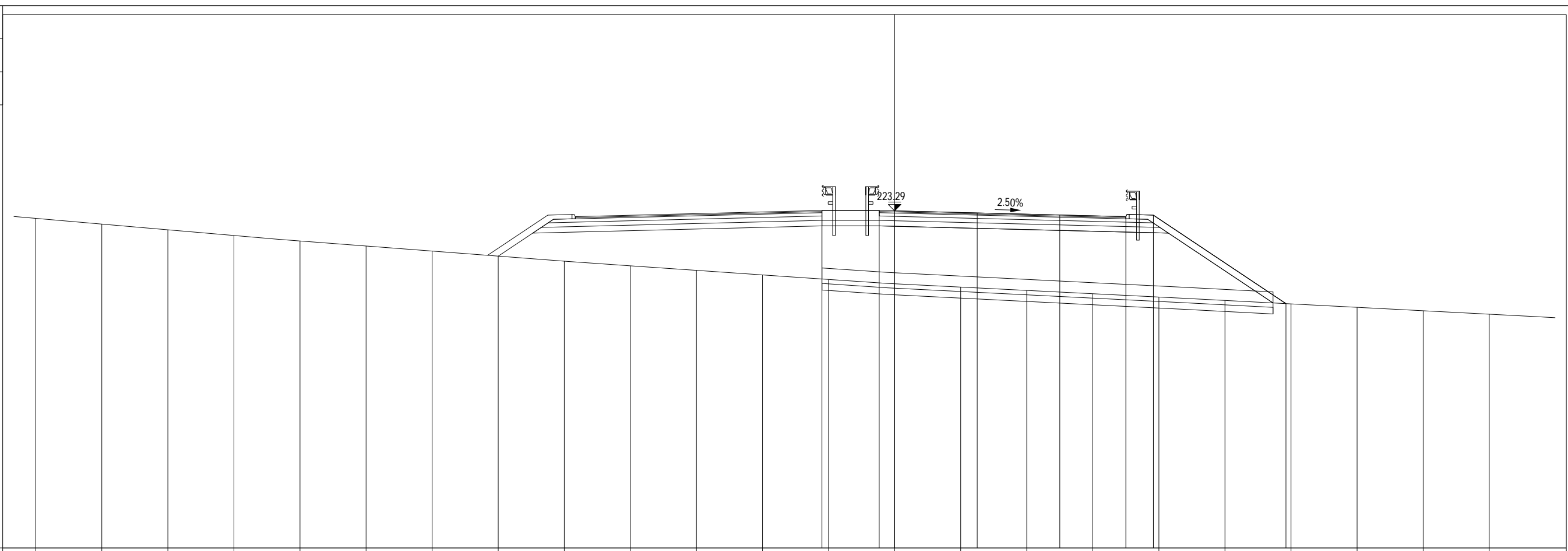
												223.36	223.36	223.34	223.25	223.15	223.08	223.15	218.99			
--	--	--	--	--	--	--	--	--	--	--	--	--------	--------	--------	--------	--------	--------	--------	--------	--	--	--

PROFILO 2.6a\_CUNEO

SEZIONE 191

PROGRESSIVA 3682.50

A RILEVATO	m <sup>2</sup>	49.73
AN ANTICAPILLARE	m <sup>2</sup>	10.27
C BINDER	m <sup>2</sup>	0.56
D BASE	m <sup>2</sup>	1.86
MC MISTO CEMENTATO	m <sup>2</sup>	3.70
MS MISTO STABILIZZATO	m <sup>2</sup>	3.90
VR VEGETALE RIL	m <sup>2</sup>	2.31
a USURA	m	11.20
br BONIFICA	m	20.58
sc SCOTICO	m	20.58
tn TNT	m	20.54



PROGRESSIVE TERRENO

-39.00	-36.00	-33.00	-30.00	-27.00	-24.00	-21.00	-18.00	-15.00	-12.00	-9.00	-6.00	-3.00	0.00	3.00	6.00	9.00	12.00	15.00	18.00	21.00	24.00	27.00
--------	--------	--------	--------	--------	--------	--------	--------	--------	--------	-------	-------	-------	------	------	------	------	-------	-------	-------	-------	-------	-------

PARZIALI TERRENO

3.00	3.00	3.00	3.00	3.00	3.00	3.00	3.00	3.00	3.00	3.00	3.00	3.00	3.00	3.00	3.00	3.00	3.00	3.00	3.00	3.00	3.00	3.00
------	------	------	------	------	------	------	------	------	------	------	------	------	------	------	------	------	------	------	------	------	------	------

QUOTE TERRENO

222.95	222.69	222.43	222.17	221.93	221.70	221.47	221.24	221.01	220.80	220.59	220.39	220.18	219.98	219.83	219.68	219.53	219.38	219.23	219.07	218.92	218.76	218.60
--------	--------	--------	--------	--------	--------	--------	--------	--------	--------	--------	--------	--------	--------	--------	--------	--------	--------	--------	--------	--------	--------	--------

PROGRESSIVE PROGETTO

												-3.30	-0.70	0.00	3.75	7.50	10.50	11.75		17.77		
--	--	--	--	--	--	--	--	--	--	--	--	-------	-------	------	------	------	-------	-------	--	-------	--	--

PARZIALI PROGETTO

												2.60	0.70	3.75	3.75	3.00	1.25	6.02				
--	--	--	--	--	--	--	--	--	--	--	--	------	------	------	------	------	------	------	--	--	--	--

QUOTE PROGETTO

												223.31	223.31	223.29	223.20	223.10	223.03	223.10		219.08		
--	--	--	--	--	--	--	--	--	--	--	--	--------	--------	--------	--------	--------	--------	--------	--	--------	--	--

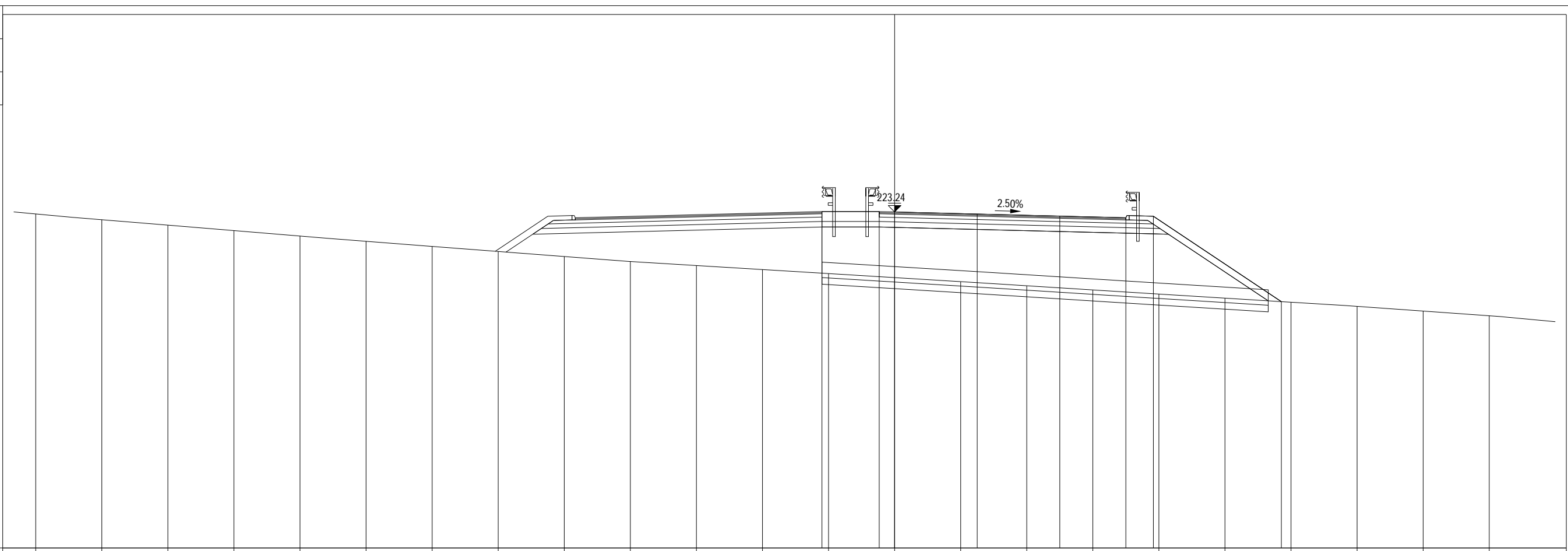


PROFILO 2.6a\_CUNEO

SEZIONE 192

PROGRESSIVA 3707.50

A RILEVATO	m <sup>2</sup>	44.80
AN ANTICAPILLARE	m <sup>2</sup>	10.16
C BINDER	m <sup>2</sup>	0.56
D BASE	m <sup>2</sup>	1.85
MC MISTO CEMENTATO	m <sup>2</sup>	3.70
MS MISTO STABILIZZATO	m <sup>2</sup>	3.90
VR VEGETALE RIL	m <sup>2</sup>	2.24
a USURA	m	11.20
br BONIFICA	m	20.35
sc SCOTICO	m	20.35
tn TNT	m	20.32



PROGRESSIVE TERRENO

-39.00	-36.00	-33.00	-30.00	-27.00	-24.00	-21.00	-18.00	-15.00	-12.00	-9.00	-6.00	-3.00	0.00	3.00	6.00	9.00	12.00	15.00	18.00	21.00	24.00	27.00
--------	--------	--------	--------	--------	--------	--------	--------	--------	--------	-------	-------	-------	------	------	------	------	-------	-------	-------	-------	-------	-------

PARZIALI TERRENO

3.00	3.00	3.00	3.00	3.00	3.00	3.00	3.00	3.00	3.00	3.00	3.00	3.00	3.00	3.00	3.00	3.00	3.00	3.00	3.00	3.00	3.00	3.00
------	------	------	------	------	------	------	------	------	------	------	------	------	------	------	------	------	------	------	------	------	------	------

QUOTE TERRENO

223.15	222.89	222.64	222.40	222.15	221.91	221.68	221.45	221.22	220.99	220.81	220.63	220.45	220.26	220.08	219.89	219.70	219.52	219.33	219.15	218.96	218.75	218.53
--------	--------	--------	--------	--------	--------	--------	--------	--------	--------	--------	--------	--------	--------	--------	--------	--------	--------	--------	--------	--------	--------	--------

PROGRESSIVE PROGETTO

												-3.30	-0.70	0.00	3.75	7.50	10.50	11.75	17.56			
--	--	--	--	--	--	--	--	--	--	--	--	-------	-------	------	------	------	-------	-------	-------	--	--	--

PARZIALI PROGETTO

												2.60	0.70	3.75	3.75	3.00	1.25	5.81				
--	--	--	--	--	--	--	--	--	--	--	--	------	------	------	------	------	------	------	--	--	--	--

QUOTE PROGETTO

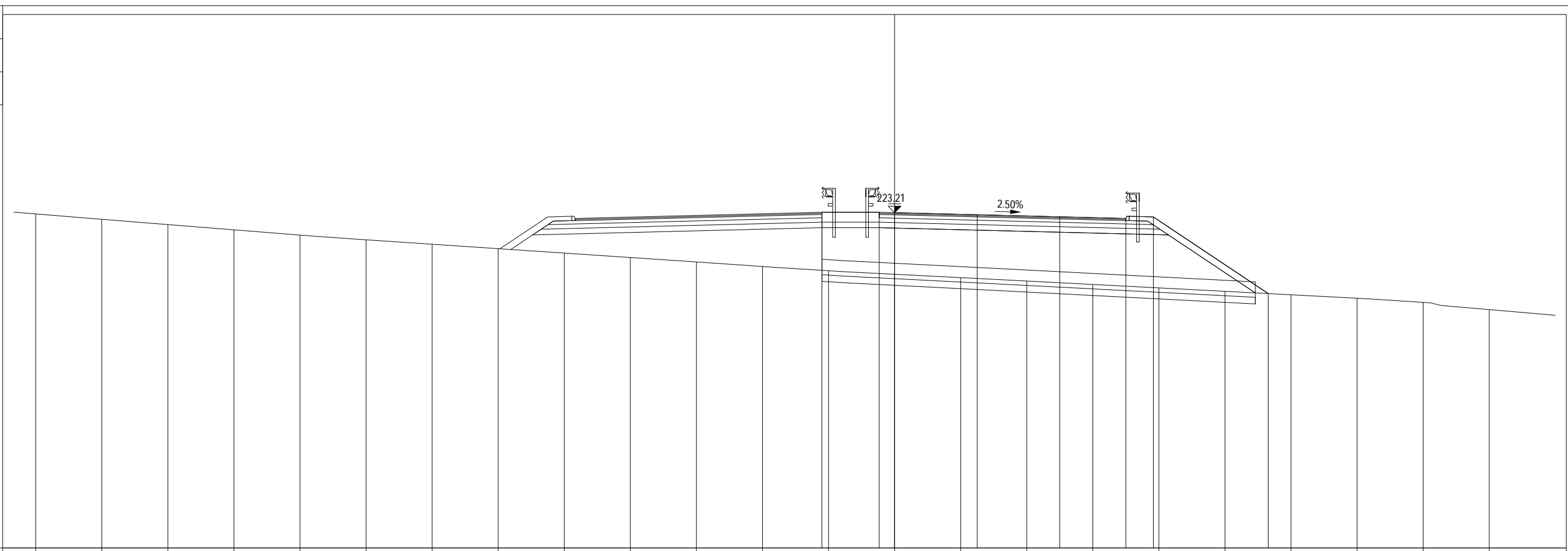
												223.26	223.26	223.24	223.15	223.05	222.98	223.05	219.17			
--	--	--	--	--	--	--	--	--	--	--	--	--------	--------	--------	--------	--------	--------	--------	--------	--	--	--

PROFILO 2.6a\_CUNEO

SEZIONE 193

PROGRESSIVA 3723.50

A RILEVATO	m <sup>2</sup>	39.71
AN ANTICAPILLARE	m <sup>2</sup>	9.86
C BINDER	m <sup>2</sup>	0.56
D BASE	m <sup>2</sup>	1.86
MC MISTO CEMENTATO	m <sup>2</sup>	3.71
MS MISTO STABILIZZATO	m <sup>2</sup>	3.89
VR VEGETALE RIL	m <sup>2</sup>	2.01
a USURA	m	11.20
br BONIFICA	m	19.74
sc SCOTICO	m	19.74
tn TNT	m	19.73



PROGRESSIVE TERRENO

-39.00	-36.00	-33.00	-30.00	-27.00	-24.00	-21.00	-18.00	-15.00	-12.00	-9.00	-6.00	-3.00	0.00	3.00	6.00	9.00	12.00	15.00	18.00	21.00	24.00	27.00
--------	--------	--------	--------	--------	--------	--------	--------	--------	--------	-------	-------	-------	------	------	------	------	-------	-------	-------	-------	-------	-------

PARZIALI TERRENO

3.00	3.00	3.00	3.00	3.00	3.00	3.00	3.00	3.00	3.00	3.00	3.00	3.00	3.00	3.00	3.00	3.00	3.00	3.00	3.00	3.00	3.00	3.00
------	------	------	------	------	------	------	------	------	------	------	------	------	------	------	------	------	------	------	------	------	------	------

QUOTE TERRENO

223.15	222.91	222.67	222.43	222.19	221.98	221.76	221.58	221.38	221.18	220.97	220.77	220.58	220.42	220.26	220.11	219.95	219.80	219.64	219.48	219.33	219.14	218.81
--------	--------	--------	--------	--------	--------	--------	--------	--------	--------	--------	--------	--------	--------	--------	--------	--------	--------	--------	--------	--------	--------	--------

PROGRESSIVE PROGETTO

												-3.30	-0.70	0.00	3.75	7.50	10.50	11.75		16.96		
--	--	--	--	--	--	--	--	--	--	--	--	-------	-------	------	------	------	-------	-------	--	-------	--	--

PARZIALI PROGETTO

												2.60	0.70	3.75	3.75	3.00	1.25	5.21			
--	--	--	--	--	--	--	--	--	--	--	--	------	------	------	------	------	------	------	--	--	--

QUOTE PROGETTO

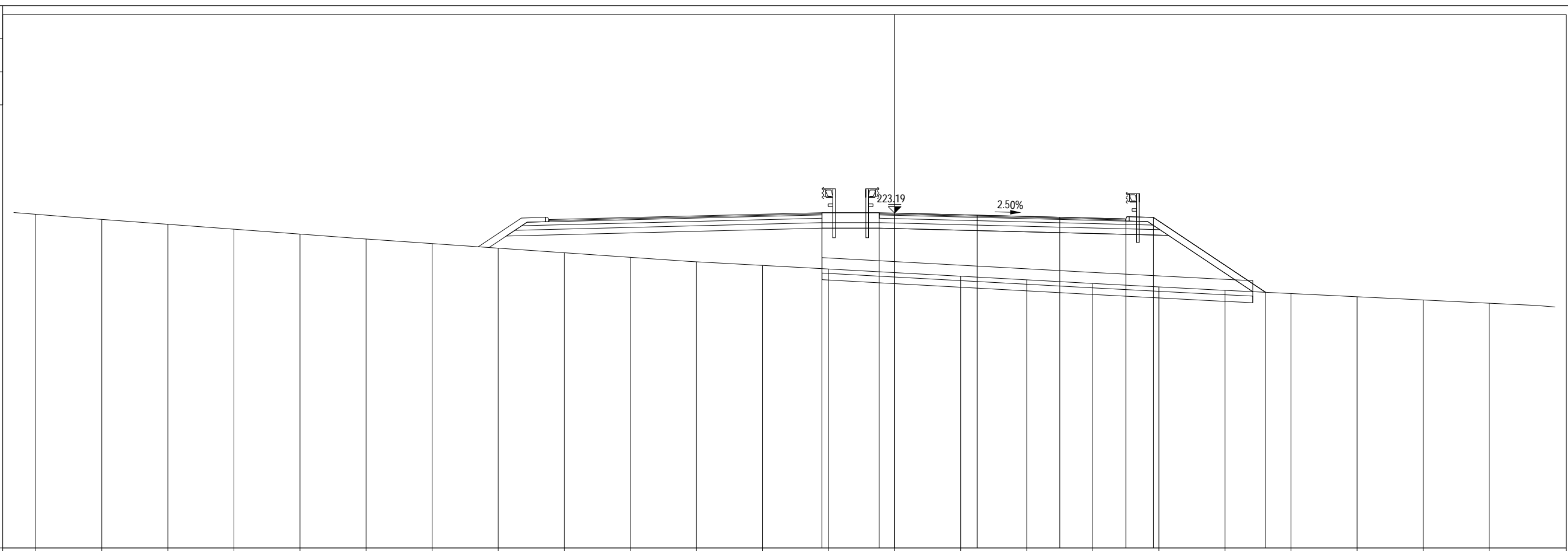
												223.23	223.23	223.21	223.12	223.02	222.95	223.01		219.54	
--	--	--	--	--	--	--	--	--	--	--	--	--------	--------	--------	--------	--------	--------	--------	--	--------	--

PROFILO 2.6a\_CUNEO

SEZIONE 194

PROGRESSIVA 3733.79

A RILEVATO	m <sup>2</sup>	38.17
AN ANTICAPILLARE	m <sup>2</sup>	9.80
C BINDER	m <sup>2</sup>	0.56
D BASE	m <sup>2</sup>	1.85
MC MISTO CEMENTATO	m <sup>2</sup>	3.70
MS MISTO STABILIZZATO	m <sup>2</sup>	3.89
VR VEGETALE RIL	m <sup>2</sup>	1.97
a USURA	m	11.20
br BONIFICA	m	19.63
sc SCOTICO	m	19.63
tn TNT	m	19.61



PROGRESSIVE TERRENO

-39.00	-36.00	-33.00	-30.00	-27.00	-24.00	-21.00	-18.00	-15.00	-12.00	-9.00	-6.00	-3.00	0.00	3.00	6.00	9.00	12.00	15.00	18.00	21.00	24.00	27.00
--------	--------	--------	--------	--------	--------	--------	--------	--------	--------	-------	-------	-------	------	------	------	------	-------	-------	-------	-------	-------	-------

PARZIALI TERRENO

3.00	3.00	3.00	3.00	3.00	3.00	3.00	3.00	3.00	3.00	3.00	3.00	3.00	3.00	3.00	3.00	3.00	3.00	3.00	3.00	3.00	3.00	3.00
------	------	------	------	------	------	------	------	------	------	------	------	------	------	------	------	------	------	------	------	------	------	------

QUOTE TERRENO

223.14	222.90	222.68	222.46	222.24	222.01	221.81	221.60	221.39	221.18	220.98	220.82	220.65	220.49	220.33	220.16	220.00	219.84	219.69	219.54	219.40	219.25	219.10
--------	--------	--------	--------	--------	--------	--------	--------	--------	--------	--------	--------	--------	--------	--------	--------	--------	--------	--------	--------	--------	--------	--------

PROGRESSIVE PROGETTO

												-3.30	-0.70	0.00	3.75	7.50	10.50	11.75		16.85		
--	--	--	--	--	--	--	--	--	--	--	--	-------	-------	------	------	------	-------	-------	--	-------	--	--

PARZIALI PROGETTO

												2.60	0.70	3.75	3.75	3.00	1.25	5.10				
--	--	--	--	--	--	--	--	--	--	--	--	------	------	------	------	------	------	------	--	--	--	--

QUOTE PROGETTO

												223.21	223.21	223.19	223.10	223.00	222.93	222.99		219.60		
--	--	--	--	--	--	--	--	--	--	--	--	--------	--------	--------	--------	--------	--------	--------	--	--------	--	--





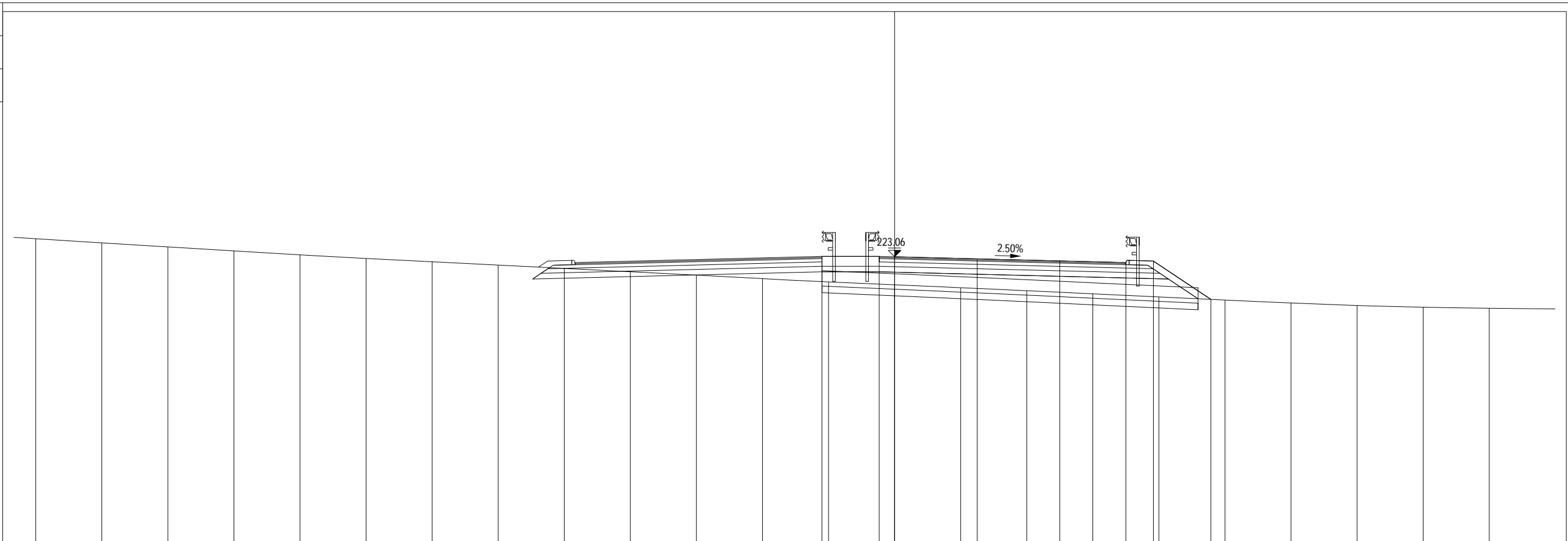


PROFILO 2.6a\_CUNEO

SEZIONE 198

PROGRESSIVA 3797.50

A RILEVATO	m <sup>2</sup>	10.99
AN ANTICAPILLARE	m <sup>2</sup>	8.56
C BINDER	m <sup>2</sup>	0.56
D BASE	m <sup>2</sup>	1.86
MC MISTO CEMENTATO	m <sup>2</sup>	3.70
MS MISTO STABILIZZATO	m <sup>2</sup>	3.89
VR VEGETALE RIL	m <sup>2</sup>	1.10
a USURA	m	11.20
br BONIFICA	m	17.13
sc SCOTICO	m	17.13
tn TNT	m	17.13



210  
200

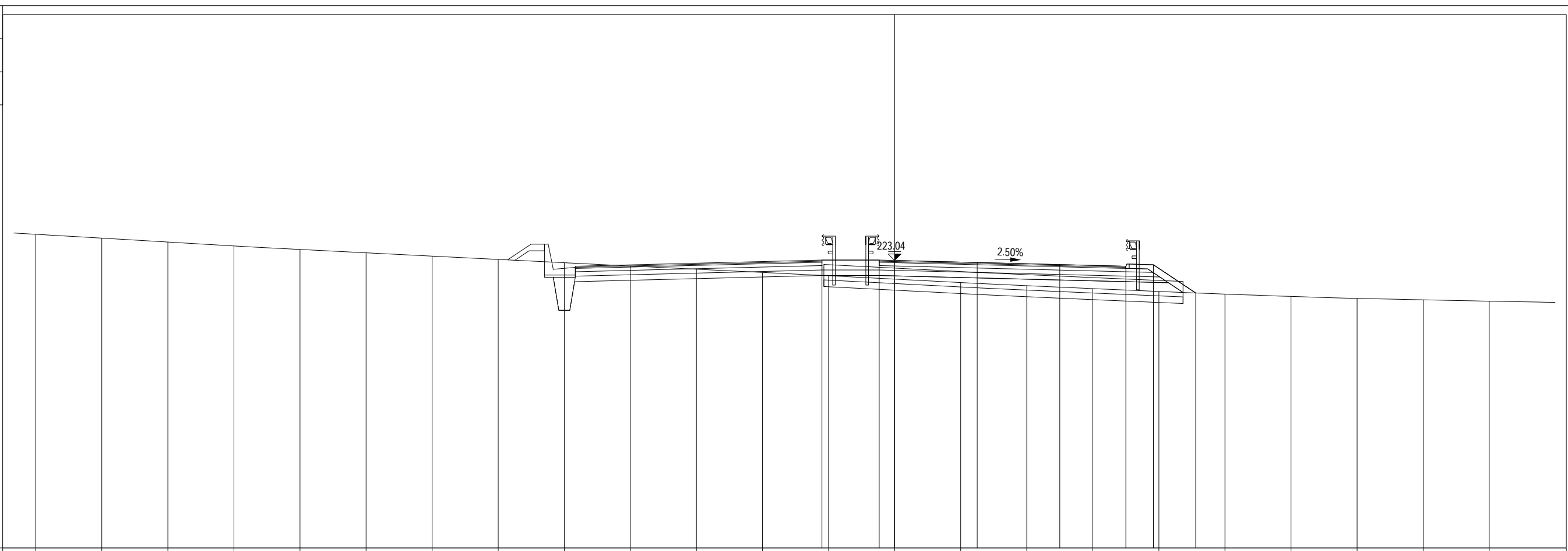
PROGRESSIVE TERRENO	-39.00	-36.00	-33.00	-30.00	-27.00	-24.00	-21.00	-18.00	-15.00	-12.00	-9.00	-6.00	-3.00	0.00	3.00	6.00	9.00	12.00	15.00	18.00	21.00	24.00	27.00
PARZIALI TERRENO		3.00	3.00	3.00	3.00	3.00	3.00	3.00	3.00	3.00	3.00	3.00	3.00	3.00	3.00	3.00	3.00	3.00	3.00	3.00	3.00	3.00	3.00
QUOTE TERRENO	223.88	223.69	223.51	223.33	223.15	222.99	222.84	222.68	222.53	222.38	222.23	222.07	221.92	221.79	221.66	221.52	221.38	221.24	221.10	220.96	220.85	220.77	220.72
PROGRESSIVE PROGETTO													-3.30	-0.70	0.00	3.75	7.50	10.50	11.75	14.36			
PARZIALI PROGETTO													2.60	0.70	3.75	3.75	3.00	1.25	2.61				
QUOTE PROGETTO													223.08	223.08	223.06	222.97	222.87	222.80	222.87	221.13			

PROFILO 2.6a\_CUNEO

SEZIONE 199

PROGRESSIVA 3807.50

A RILEVATO	m <sup>2</sup>	4.04
AN ANTICAPILLARE	m <sup>2</sup>	8.16
C BINDER	m <sup>2</sup>	0.56
D BASE	m <sup>2</sup>	1.86
MC MISTO CEMENTATO	m <sup>2</sup>	3.70
MS MISTO STABILIZZATO	m <sup>2</sup>	3.89
VR VEGETALE RIL	m <sup>2</sup>	0.84
a USURA	m	11.20
br BONIFICA	m	16.36
sc SCOTICO	m	16.36
tn TNT	m	16.36



PROGRESSIVE TERRENO	-39.00	-36.00	-33.00	-30.00	-27.00	-24.00	-21.00	-18.00	-15.00	-12.00	-9.00	-6.00	-3.00	0.00	3.00	6.00	9.00	12.00	15.00	18.00	21.00	24.00	27.00
PARZIALI TERRENO		3.00	3.00	3.00	3.00	3.00	3.00	3.00	3.00	3.00	3.00	3.00	3.00	3.00	3.00	3.00	3.00	3.00	3.00	3.00	3.00	3.00	3.00
QUOTE TERRENO	224.23	224.05	223.88	223.70	223.54	223.39	223.24	223.09	222.94	222.79	222.64	222.50	222.35	222.19	222.04	221.90	221.76	221.64	221.52	221.41	221.32	221.26	221.19
PROGRESSIVE PROGETTO													-3.30	-0.70	0.00	3.75	7.50	10.50	11.75	13.67			
PARZIALI PROGETTO													2.60	0.70	3.75	3.75	3.00	1.25	1.92				
QUOTE PROGETTO													223.06	223.06	223.04	222.95	222.85	222.78	222.85	221.57			

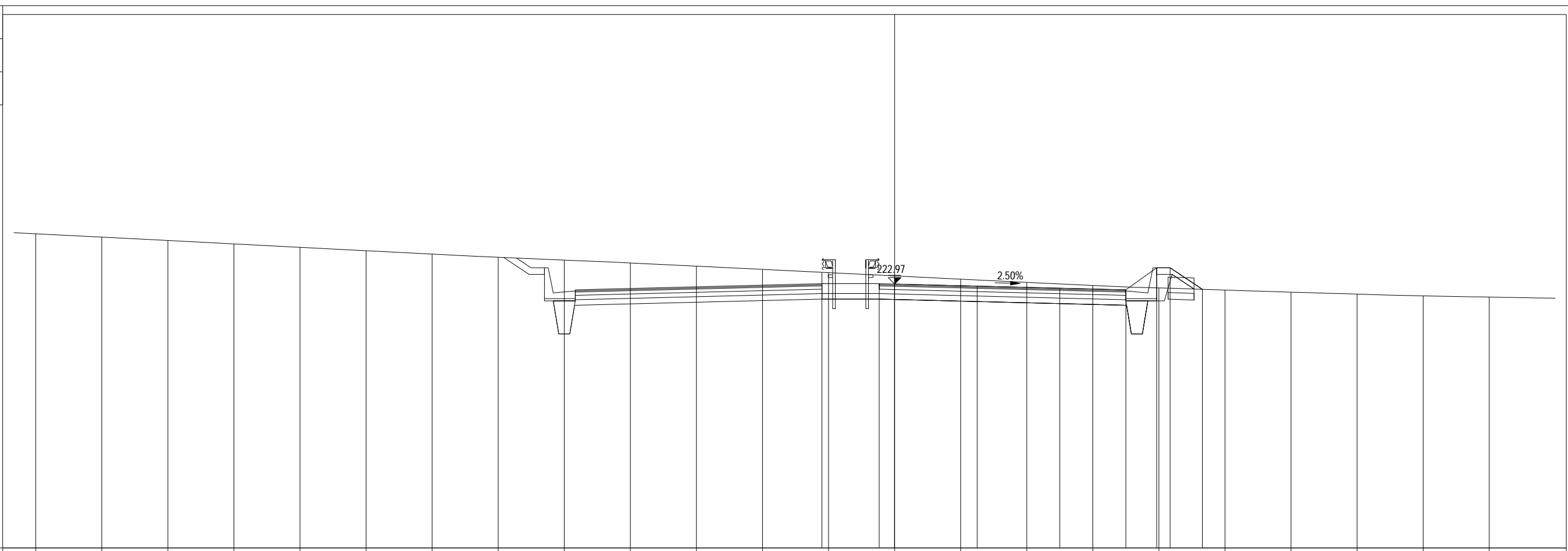


PROFILO 2.6a\_CUNEO

SEZIONE 200

PROGRESSIVA 3832.50

A RILEVATO	m <sup>2</sup>	0.35
AN ANTICAPILLARE	m <sup>2</sup>	0.58
B SCAVO	m <sup>2</sup>	15.89
C BINDER	m <sup>2</sup>	0.56
D BASE	m <sup>2</sup>	1.68
MC MISTO CEMENTATO	m <sup>2</sup>	3.41
MS MISTO STABILIZZATO	m <sup>2</sup>	4.57
VR VEGETALE RIL	m <sup>2</sup>	0.48
a USURA	m	11.20
br BONIFICA	m	1.17
sc SCOTICO	m	1.17
tn TNT	m	1.17



211  
200

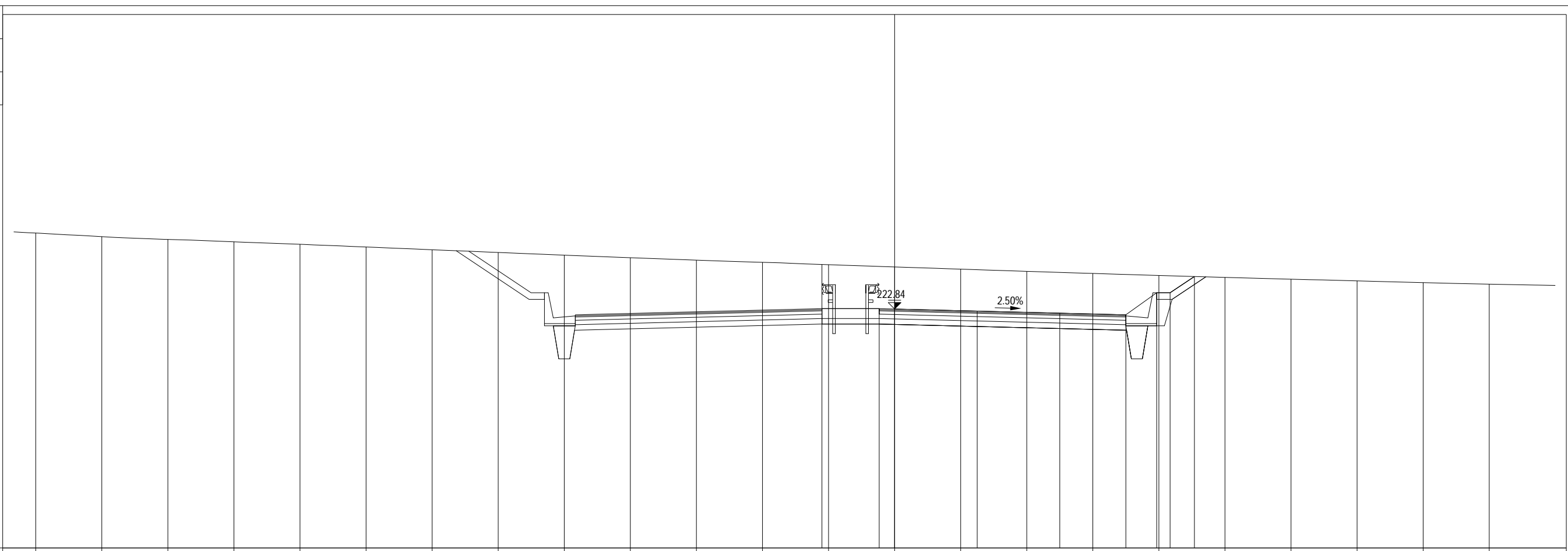
PROGRESSIVE TERRENO	-39.00	-36.00	-33.00	-30.00	-27.00	-24.00	-21.00	-18.00	-15.00	-12.00	-9.00	-6.00	-3.00	0.00	3.00	6.00	9.00	12.00	15.00	18.00	21.00	24.00	27.00
PARZIALI TERRENO		3.00	3.00	3.00	3.00	3.00	3.00	3.00	3.00	3.00	3.00	3.00	3.00	3.00	3.00	3.00	3.00	3.00	3.00	3.00	3.00	3.00	3.00
QUOTE TERRENO	225.25	225.10	224.95	224.79	224.64	224.48	224.33	224.19	224.06	223.93	223.78	223.64	223.49	223.34	223.19	223.05	222.91	222.80	222.70	222.60	222.52	222.44	222.38
PROGRESSIVE PROGETTO													-3.30	-0.70	0.00	3.75	7.50	10.50	11.90	12.51	13.98		
PARZIALI PROGETTO													2.60	0.70	3.75	3.75	3.00	1.40	0.61	1.47			
QUOTE PROGETTO													222.99	222.99	222.97	222.88	222.78	222.71	223.71	223.71	222.73		

PROFILO 2.6a\_CUNEO

SEZIONE 201

PROGRESSIVA 3857.50

B SCAVO	m <sup>2</sup>	42.18
C BINDER	m <sup>2</sup>	0.56
D BASE	m <sup>2</sup>	1.68
MC MISTO CEMENTATO	m <sup>2</sup>	3.41
MS MISTO STABILIZZATO	m <sup>2</sup>	4.58
VT VEGETALE TRINCEA	m <sup>2</sup>	0.66
a USURA	m	11.20



212

200  
200

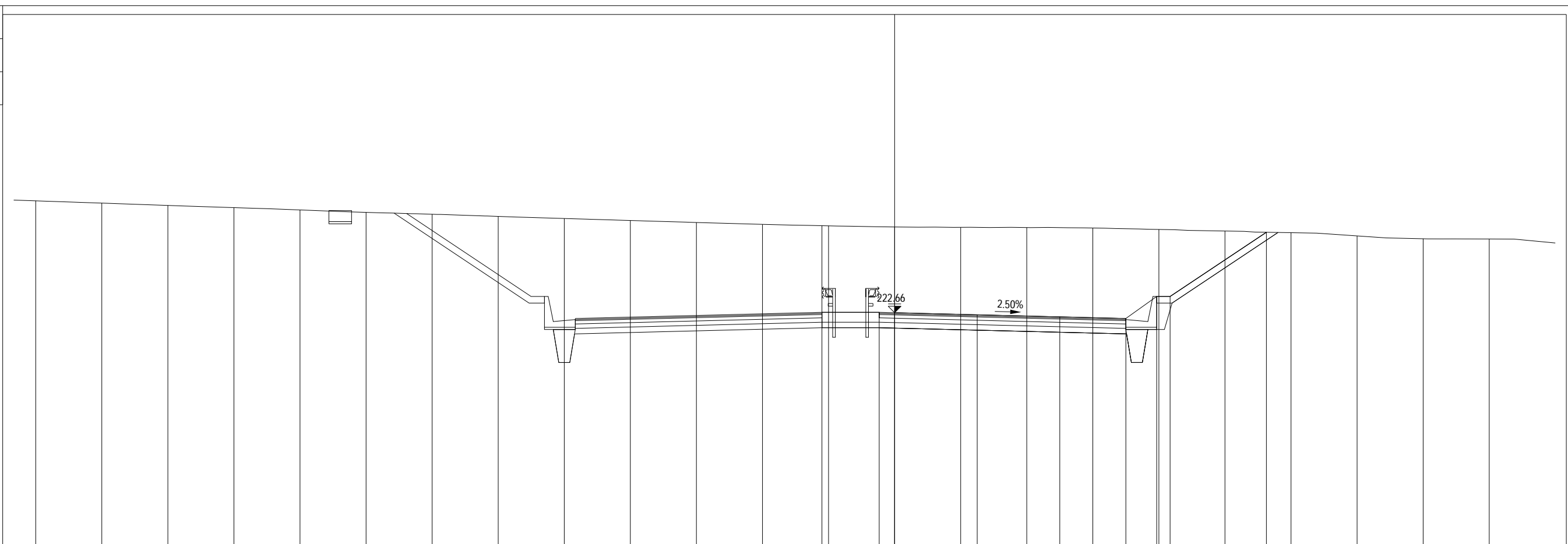
PROGRESSIVE TERRENO	-39.00	-36.00	-33.00	-30.00	-27.00	-24.00	-21.00	-18.00	-15.00	-12.00	-9.00	-6.00	-3.00	0.00	3.00	6.00	9.00	12.00	15.00	18.00	21.00	24.00	27.00
PARZIALI TERRENO		3.00	3.00	3.00	3.00	3.00	3.00	3.00	3.00	3.00	3.00	3.00	3.00	3.00	3.00	3.00	3.00	3.00	3.00	3.00	3.00	3.00	3.00
QUOTE TERRENO	226.29	226.12	226.00	225.89	225.78	225.65	225.53	225.40	225.28	225.17	225.06	224.96	224.85	224.75	224.65	224.55	224.45	224.36	224.27	224.19	224.12	224.04	223.97
PROGRESSIVE PROGETTO													-3.30	-0.70	0.00	3.75	7.50	10.50	11.90	12.51	13.61		
PARZIALI PROGETTO													2.60	0.70	3.75	3.75	3.00	1.40	0.61	1.10			
QUOTE PROGETTO													222.86	222.86	222.84	222.75	222.65	222.58	223.58	223.58	224.31		

PROFILO 2.6a\_CUNEO

SEZIONE 202

PROGRESSIVA 3881.20

B SCAVO	m <sup>2</sup>	83.07
C BINDER	m <sup>2</sup>	0.56
D BASE	m <sup>2</sup>	1.68
MC MISTO CEMENTATO	m <sup>2</sup>	3.41
MS MISTO STABILIZZATO	m <sup>2</sup>	4.59
VT VEGETALE TRINCEA	m <sup>2</sup>	1.86
a USURA	m	11.20



212

200

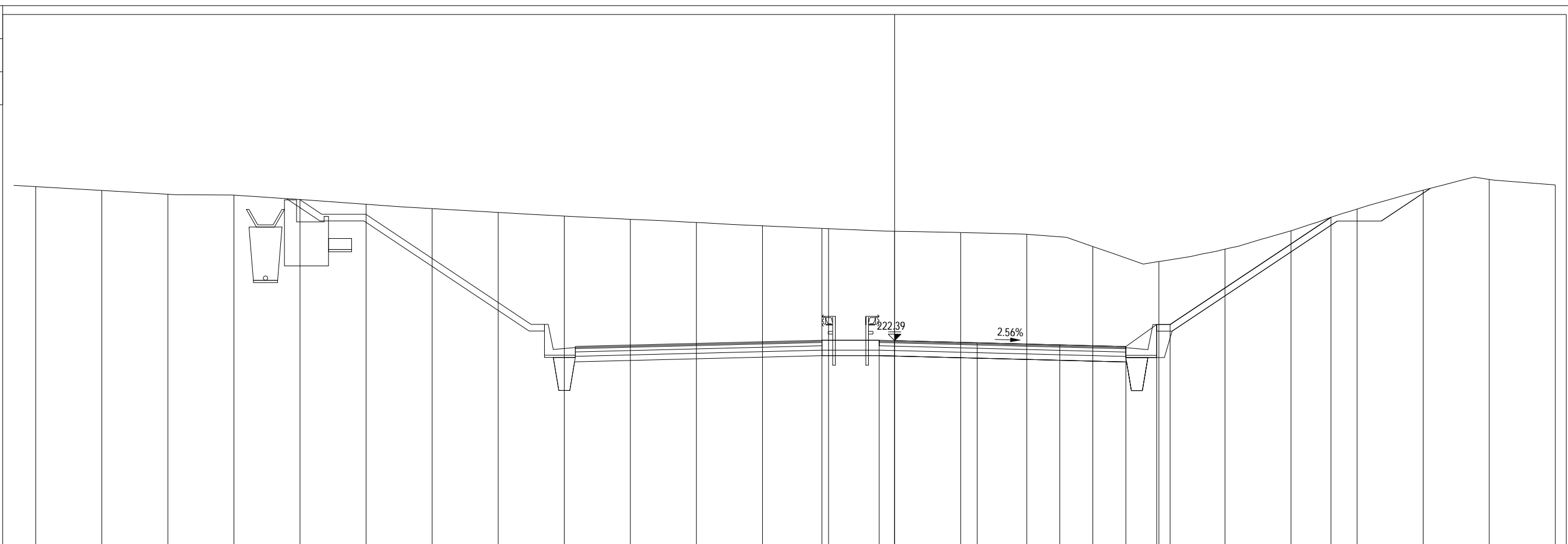
PROGRESSIVE TERRENO	-39.00	-36.00	-33.00	-30.00	-27.00	-24.00	-21.00	-18.00	-15.00	-12.00	-9.00	-6.00	-3.00	0.00	3.00	6.00	9.00	12.00	15.00	18.00	21.00	24.00	27.00
PARZIALI TERRENO		3.00	3.00	3.00	3.00	3.00	3.00	3.00	3.00	3.00	3.00	3.00	3.00	3.00	3.00	3.00	3.00	3.00	3.00	3.00	3.00	3.00	3.00
QUOTE TERRENO	227.74	227.63	227.53	227.43	227.32	227.21	227.13	227.03	226.93	226.84	226.75	226.67	226.60	226.55	226.53	226.52	226.50	226.44	226.37	226.29	226.14	226.01	226.00
PROGRESSIVE PROGETTO													-3.30	-0.70	0.00	3.75	7.50	10.50	11.90	12.51		16.88	
PARZIALI PROGETTO													2.60	0.70	3.75	3.75	3.00	1.40	0.61	4.37			
QUOTE PROGETTO													222.67	222.67	222.66	222.56	222.47	222.39	223.39	223.39		226.31	

PROFILO 2.6a\_CUNEO

SEZIONE 203

PROGRESSIVA 3907.50

B SCAVO	m <sup>2</sup>	101.38
C BINDER	m <sup>2</sup>	0.56
D BASE	m <sup>2</sup>	1.68
MC MISTO CEMENTATO	m <sup>2</sup>	3.41
MS MISTO STABILIZZATO	m <sup>2</sup>	4.58
VT VEGETALE TRINCEA	m <sup>2</sup>	4.92
a USURA	m	11.20



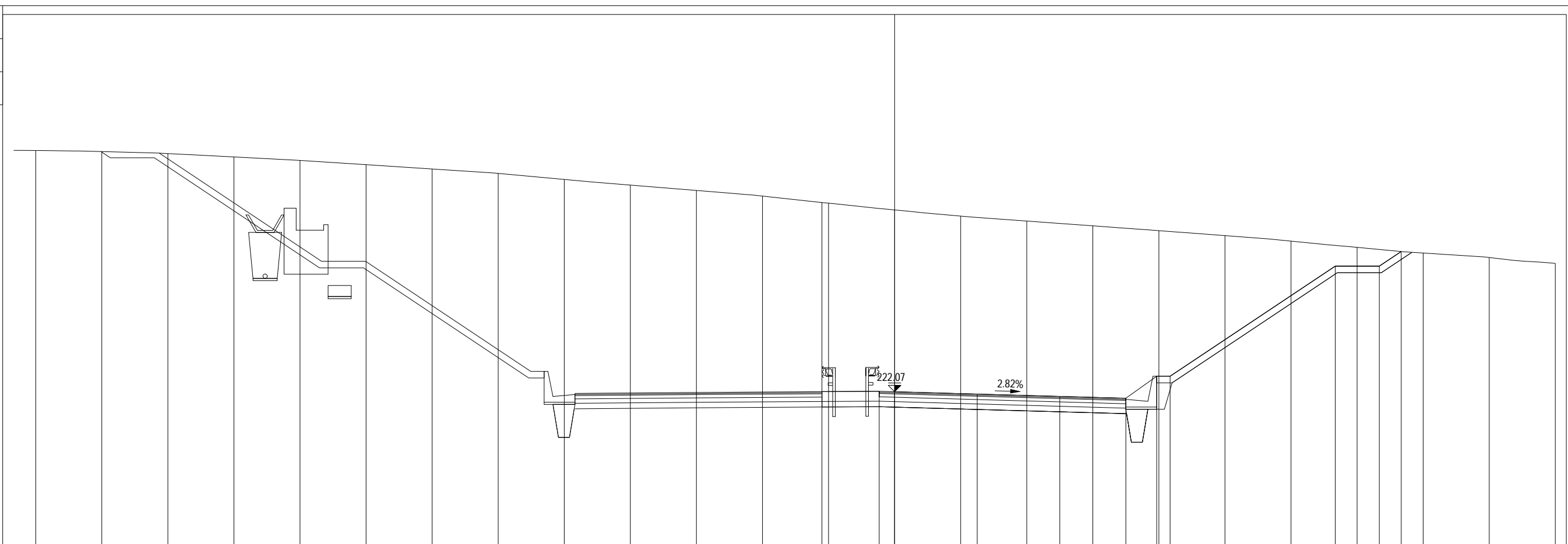
PROGRESSIVE TERRENO	-39.00	-36.00	-33.00	-30.00	-27.00	-24.00	-21.00	-18.00	-15.00	-12.00	-9.00	-6.00	-3.00	0.00	3.00	6.00	9.00	12.00	15.00	18.00	21.00	24.00	27.00	30.00
PARZIALI TERRENO		3.00	3.00	3.00	3.00	3.00	3.00	3.00	3.00	3.00	3.00	3.00	3.00	3.00	3.00	3.00	3.00	3.00	3.00	3.00	3.00	3.00	3.00	3.00
QUOTE TERRENO	229.38	229.21	229.04	229.00	228.80	228.58	228.38	228.21	228.04	227.90	227.75	227.60	227.47	227.35	227.30	227.22	226.66	225.98	226.54	227.38	228.36	229.22	229.71	229.46
PROGRESSIVE PROGETTO													-3.30	-0.70	0.00	3.75	7.50	10.50	11.90	12.51		19.81		
PARZIALI PROGETTO													2.60	0.70	3.75	3.75	3.00	1.40	0.61	7.30				
QUOTE PROGETTO									222.41	222.41	222.39		222.29	222.20	222.12	223.12	223.12		227.99					

PROFILO 2.6a\_CUNEO

SEZIONE 204

PROGRESSIVA 3932.50

B SCAVO	m <sup>2</sup>	172.50
C BINDER	m <sup>2</sup>	0.56
D BASE	m <sup>2</sup>	1.68
MC MISTO CEMENTATO	m <sup>2</sup>	3.41
MS MISTO STABILIZZATO	m <sup>2</sup>	4.58
VT VEGETALE TRINCEA	m <sup>2</sup>	3.91
a USURA	m	11.20



PROGRESSIVE TERRENO

-39.00	-36.00	-33.00	-30.00	-27.00	-24.00	-21.00	-18.00	-15.00	-12.00	-9.00	-6.00	-3.00	0.00	3.00	6.00	9.00	12.00	15.00	18.00	21.00	24.00	27.00	30.00
--------	--------	--------	--------	--------	--------	--------	--------	--------	--------	-------	-------	-------	------	------	------	------	-------	-------	-------	-------	-------	-------	-------

PARZIALI TERRENO

3.00	3.00	3.00	3.00	3.00	3.00	3.00	3.00	3.00	3.00	3.00	3.00	3.00	3.00	3.00	3.00	3.00	3.00	3.00	3.00	3.00	3.00	3.00	3.00
------	------	------	------	------	------	------	------	------	------	------	------	------	------	------	------	------	------	------	------	------	------	------	------

QUOTE TERRENO

233.02	232.97	232.88	232.73	232.57	232.38	232.18	231.98	231.71	231.45	231.21	230.95	230.63	230.32	230.04	229.82	229.60	229.38	229.16	228.91	228.62	228.37	228.16	227.90
--------	--------	--------	--------	--------	--------	--------	--------	--------	--------	--------	--------	--------	--------	--------	--------	--------	--------	--------	--------	--------	--------	--------	--------

PROGRESSIVE PROGETTO

												-3.30	-0.70	0.00	3.75	7.50	10.50	11.90	12.51		20.01	22.01	23.00
--	--	--	--	--	--	--	--	--	--	--	--	-------	-------	------	------	------	-------	-------	-------	--	-------	-------	-------

PARZIALI PROGETTO

												2.60	0.70	3.75	3.75	3.00	1.40	0.61	7.50	2.00	0.99		
--	--	--	--	--	--	--	--	--	--	--	--	------	------	------	------	------	------	------	------	------	------	--	--

QUOTE PROGETTO

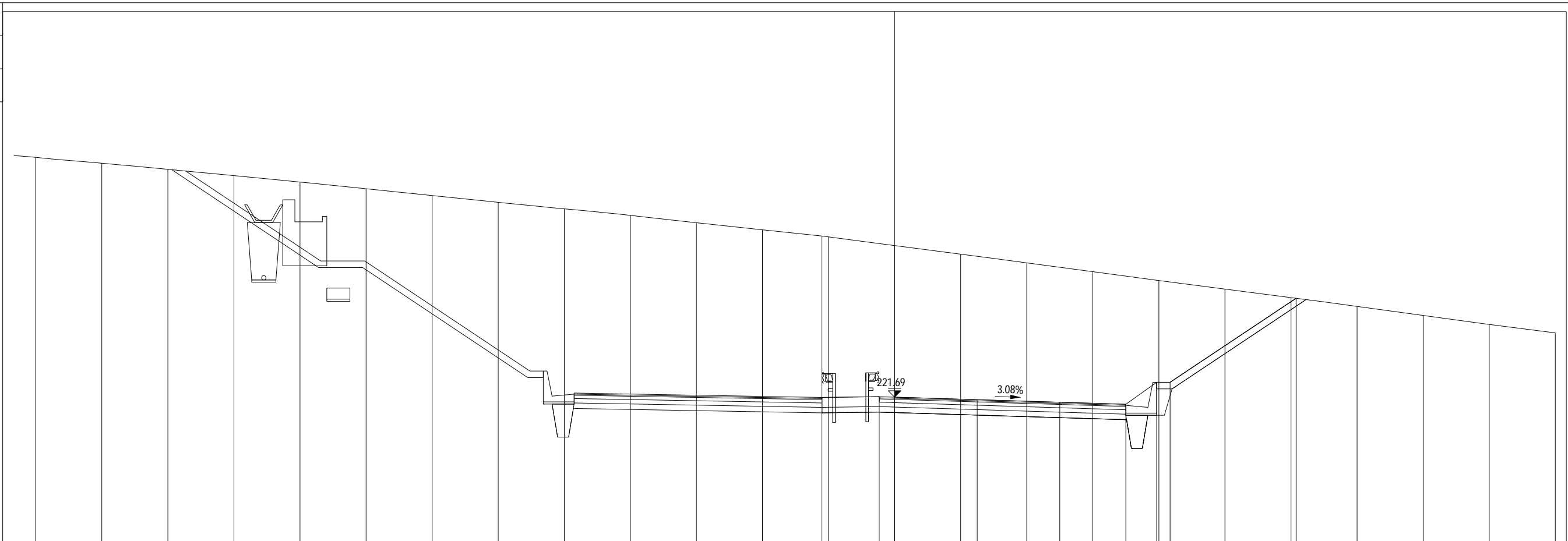
												222.07	222.09	222.07	221.96	221.86	221.77	222.71	222.77		227.71	227.77	228.43
--	--	--	--	--	--	--	--	--	--	--	--	--------	--------	--------	--------	--------	--------	--------	--------	--	--------	--------	--------

PROFILO 2.6a\_CUNEO

SEZIONE 205

PROGRESSIVA 3957.48

B SCAVO m<sup>2</sup> 128.47  
 C BINDER m<sup>2</sup> 0.56  
 D BASE m<sup>2</sup> 1.68  
 MC MISTO CEMENTATO m<sup>2</sup> 3.41  
 MS MISTO STABILIZZATO m<sup>2</sup> 4.58  
 VT VEGETALE TRINCEA m<sup>2</sup> 2.31  
 a USURA m 11.21



215

200  
200

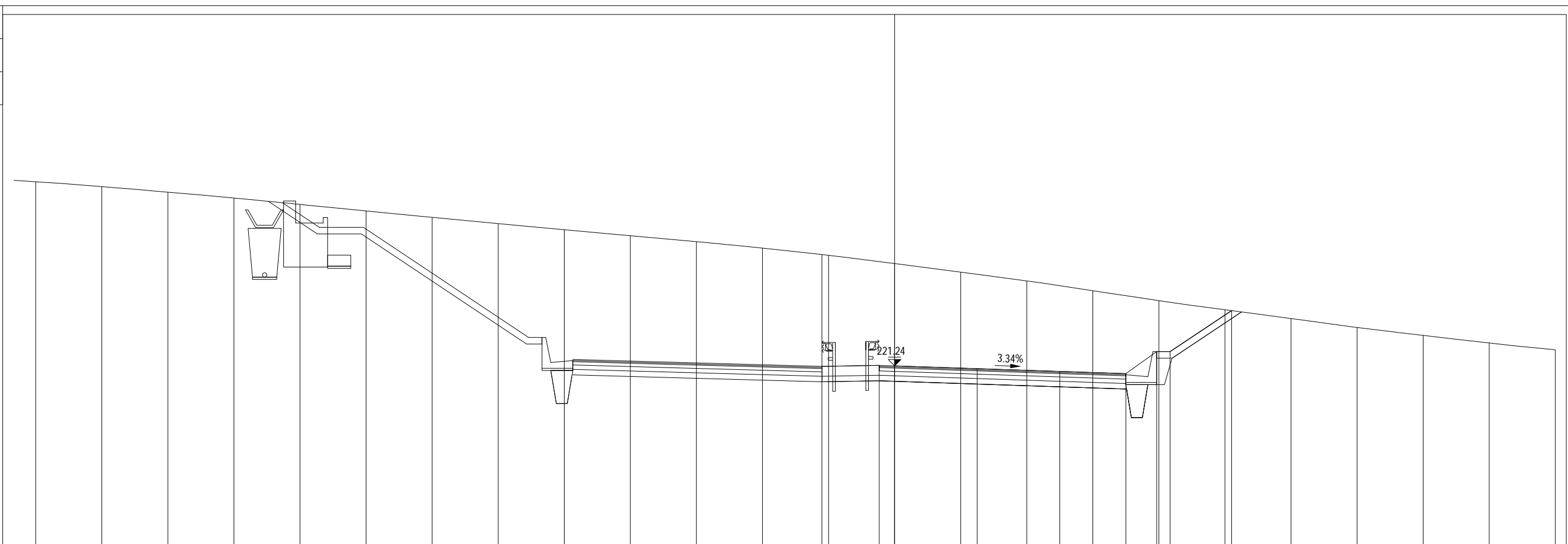
PROGRESSIVE TERRENO	-39.00	-36.00	-33.00	-30.00	-27.00	-24.00	-21.00	-18.00	-15.00	-12.00	-9.00	-6.00	-3.00	0.00	3.00	6.00	9.00	12.00	15.00	18.00	21.00	24.00	27.00	30.00
PARZIALI TERRENO		3.00	3.00	3.00	3.00	3.00	3.00	3.00	3.00	3.00	3.00	3.00	3.00	3.00	3.00	3.00	3.00	3.00	3.00	3.00	3.00	3.00	3.00	3.00
QUOTE TERRENO	232.58	232.31	232.03	231.75	231.46	231.15	230.84	230.53	230.24	229.94	229.61	229.29	228.97	228.57	228.18	227.79	227.38	226.98	226.59	226.21	225.81	225.40	224.99	224.61
PROGRESSIVE PROGETTO													-3.30	-0.70	0.00	3.75	7.50	10.50	11.90	12.51				
PARZIALI PROGETTO													2.60	0.70	3.75	3.75	3.00	1.40	0.61	5.72				
QUOTE PROGETTO													221.67	221.71	221.69	221.57	221.45	221.36	222.36	222.36	226.18			

PROFILO 2.6a\_CUNEO

SEZIONE 206

PROGRESSIVA 3982.46

B SCAVO	m <sup>2</sup>	81.99
C BINDER	m <sup>2</sup>	0.56
D BASE	m <sup>2</sup>	1.68
MC MISTO CEMENTATO	m <sup>2</sup>	3.41
MS MISTO STABILIZZATO	m <sup>2</sup>	4.58
VT VEGETALE TRINCEA	m <sup>2</sup>	1.26
a USURA	m	11.21



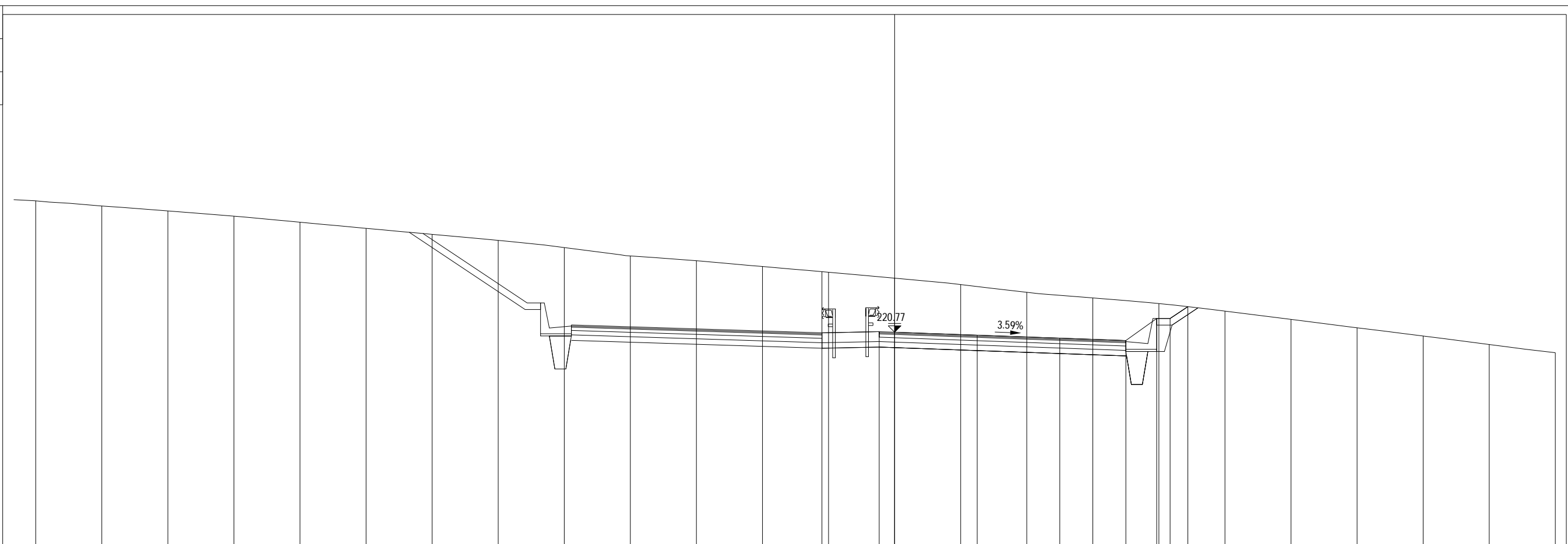
PROGRESSIVE TERRENO	-39.00	-36.00	-33.00	-30.00	-27.00	-24.00	-21.00	-18.00	-15.00	-12.00	-9.00	-6.00	-3.00	0.00	3.00	6.00	9.00	12.00	15.00	18.00	21.00	24.00	27.00	30.00
PARZIALI TERRENO		3.00	3.00	3.00	3.00	3.00	3.00	3.00	3.00	3.00	3.00	3.00	3.00	3.00	3.00	3.00	3.00	3.00	3.00	3.00	3.00	3.00	3.00	3.00
QUOTE TERRENO	229.60	229.38	229.13	228.86	228.57	228.28	227.99	227.70	227.42	227.15	226.88	226.59	226.26	225.89	225.50	225.10	224.65	224.20	223.79	223.39	222.98	222.63	222.28	221.97
PROGRESSIVE PROGETTO													-3.30	-0.70	0.00	3.75	7.50	10.50	11.90	12.51	15.30			
PARZIALI PROGETTO													2.60	0.70	3.75	3.75	3.00	1.40	0.61	2.79				
QUOTE PROGETTO													221.22	221.26	221.24	221.12	220.99	220.89	221.89	221.89	223.75			

PROFILO 2.6a\_CUNEO

SEZIONE 207

PROGRESSIVA 4005.74

B SCAVO	m <sup>2</sup>	46.59
C BINDER	m <sup>2</sup>	0.56
D BASE	m <sup>2</sup>	1.68
MC MISTO CEMENTATO	m <sup>2</sup>	3.41
MS MISTO STABILIZZATO	m <sup>2</sup>	4.59
VT VEGETALE TRINCEA	m <sup>2</sup>	0.56
a USURA	m	11.21



PROGRESSIVE TERRENO

-39.00	-36.00	-33.00	-30.00	-27.00	-24.00	-21.00	-18.00	-15.00	-12.00	-9.00	-6.00	-3.00	0.00	3.00	6.00	9.00	12.00	15.00	18.00	21.00	24.00	27.00	30.00
--------	--------	--------	--------	--------	--------	--------	--------	--------	--------	-------	-------	-------	------	------	------	------	-------	-------	-------	-------	-------	-------	-------

PARZIALI TERRENO

3.00	3.00	3.00	3.00	3.00	3.00	3.00	3.00	3.00	3.00	3.00	3.00	3.00	3.00	3.00	3.00	3.00	3.00	3.00	3.00	3.00	3.00	3.00	3.00
------	------	------	------	------	------	------	------	------	------	------	------	------	------	------	------	------	------	------	------	------	------	------	------

QUOTE TERRENO

226.74	226.50	226.28	226.04	225.77	225.49	225.21	224.94	224.61	224.23	224.02	223.76	223.49	223.22	222.93	222.58	222.33	222.07	221.73	221.35	220.97	220.60	220.21	219.84
--------	--------	--------	--------	--------	--------	--------	--------	--------	--------	--------	--------	--------	--------	--------	--------	--------	--------	--------	--------	--------	--------	--------	--------

PROGRESSIVE PROGETTO

												-3.30	-0.70	0.00		3.75	7.50	10.50	11.90	12.51	13.32		
--	--	--	--	--	--	--	--	--	--	--	--	-------	-------	------	--	------	------	-------	-------	-------	-------	--	--

PARZIALI PROGETTO

												2.60	0.70	3.75	3.75	3.00	1.40	0.61	0.81				
--	--	--	--	--	--	--	--	--	--	--	--	------	------	------	------	------	------	------	------	--	--	--	--

QUOTE PROGETTO

												220.74	220.80	220.77		220.64	220.50	220.39	221.39	221.39	221.93		
--	--	--	--	--	--	--	--	--	--	--	--	--------	--------	--------	--	--------	--------	--------	--------	--------	--------	--	--

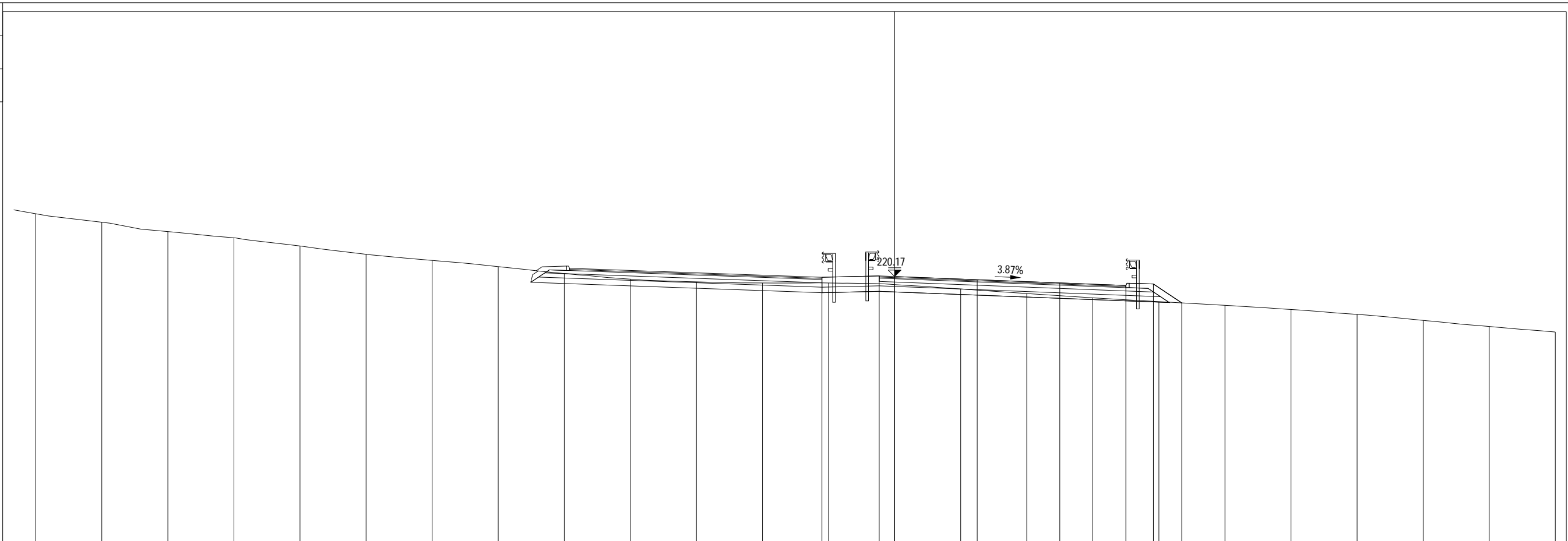


PROFILO 2.6a\_CUNEO

SEZIONE 208

PROGRESSIVA 4032.38

B SCAVO	m <sup>2</sup>	3.30
C BINDER	m <sup>2</sup>	0.56
D BASE	m <sup>2</sup>	1.86
MC MISTO CEMENTATO	m <sup>2</sup>	3.70
MS MISTO STABILIZZATO	m <sup>2</sup>	3.91
VR VEGETALE RIL	m <sup>2</sup>	0.61
a USURA	m	11.21



208

200

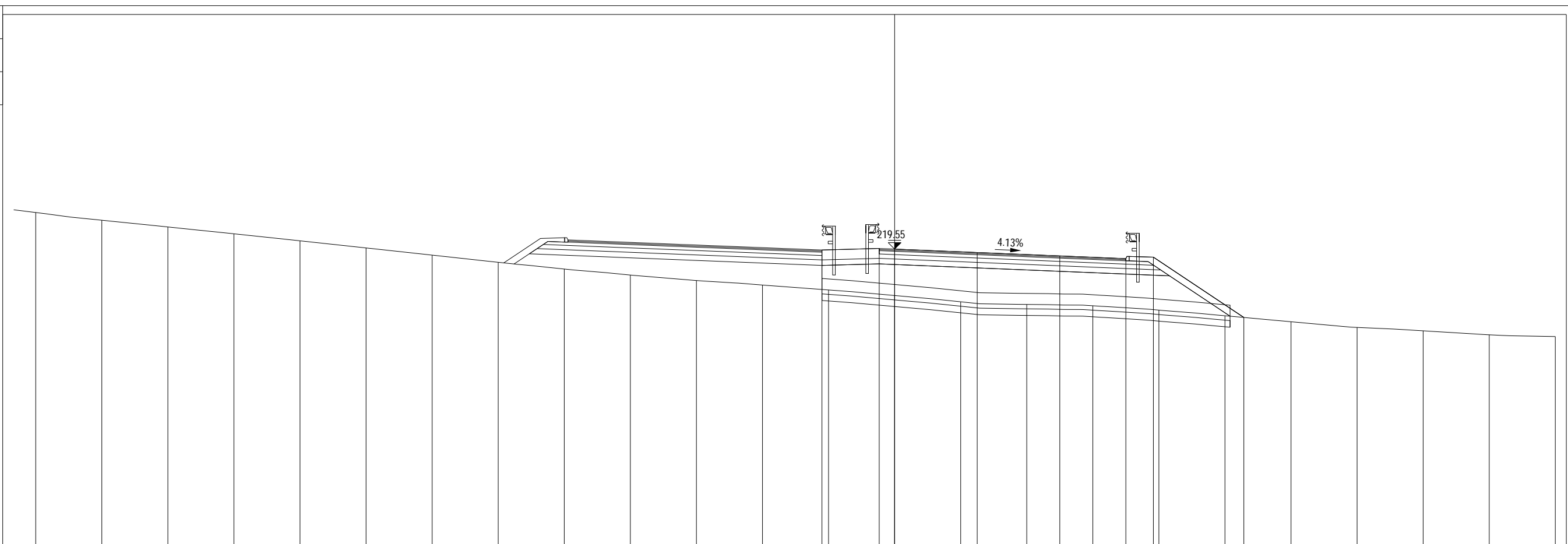
PROGRESSIVE TERRENO	-39.00	-36.00	-33.00	-30.00	-27.00	-24.00	-21.00	-18.00	-15.00	-12.00	-9.00	-6.00	-3.00	0.00	3.00	6.00	9.00	12.00	15.00	18.00	21.00	24.00	27.00	30.00
PARZIALI TERRENO		3.00	3.00	3.00	3.00	3.00	3.00	3.00	3.00	3.00	3.00	3.00	3.00	3.00	3.00	3.00	3.00	3.00	3.00	3.00	3.00	3.00	3.00	3.00
QUOTE TERRENO	223.02	222.63	222.21	221.92	221.55	221.17	220.90	220.61	220.30	220.04	219.92	219.87	219.87	219.80	219.60	219.39	219.20	219.02	218.86	218.67	218.45	218.17	217.90	217.64
PROGRESSIVE PROGETTO													-3.30	-0.70	0.00	3.75	7.50	10.50	11.75	13.04				
PARZIALI PROGETTO													2.60	0.70	3.75	3.75	3.00	1.25	1.29					
QUOTE PROGETTO													220.13	220.19	220.17	220.02	219.88	219.76	219.83	218.97				

PROFILO 2.6a\_CUNEO

SEZIONE 209

PROGRESSIVA 4057.32

A RILEVATO	m <sup>2</sup>	25.60
AN ANTICAPILLARE	m <sup>2</sup>	9.33
C BINDER	m <sup>2</sup>	0.56
D BASE	m <sup>2</sup>	1.86
MC MISTO CEMENTATO	m <sup>2</sup>	3.70
MS MISTO STABILIZZATO	m <sup>2</sup>	3.90
VR VEGETALE RIL	m <sup>2</sup>	1.64
a USURA	m	11.21
br BONIFICA	m	18.61
sc SCOTICO	m	18.61
tn TNT	m	18.59



PROGRESSIVE TERRENO

-39.00	-36.00	-33.00	-30.00	-27.00	-24.00	-21.00	-18.00	-15.00	-12.00	-9.00	-6.00	-3.00	0.00	3.00	6.00	9.00	12.00	15.00	18.00	21.00	24.00	27.00	30.00
--------	--------	--------	--------	--------	--------	--------	--------	--------	--------	-------	-------	-------	------	------	------	------	-------	-------	-------	-------	-------	-------	-------

PARZIALI TERRENO

3.00	3.00	3.00	3.00	3.00	3.00	3.00	3.00	3.00	3.00	3.00	3.00	3.00	3.00	3.00	3.00	3.00	3.00	3.00	3.00	3.00	3.00	3.00	3.00
------	------	------	------	------	------	------	------	------	------	------	------	------	------	------	------	------	------	------	------	------	------	------	------

QUOTE TERRENO

221.21	220.86	220.55	220.24	219.92	219.60	219.27	218.95	218.64	218.37	218.12	217.91	217.69	217.44	217.15	217.03	216.97	216.77	216.52	216.25	215.99	215.83	215.65	215.57
--------	--------	--------	--------	--------	--------	--------	--------	--------	--------	--------	--------	--------	--------	--------	--------	--------	--------	--------	--------	--------	--------	--------	--------

PROGRESSIVE PROGETTO

												-3.30	-0.70	0.00	3.75	7.50	10.50	11.75	15.86				
--	--	--	--	--	--	--	--	--	--	--	--	-------	-------	------	------	------	-------	-------	-------	--	--	--	--

PARZIALI PROGETTO

												2.60	0.70	3.75	3.75	3.00	1.25	4.11					
--	--	--	--	--	--	--	--	--	--	--	--	------	------	------	------	------	------	------	--	--	--	--	--

QUOTE PROGETTO

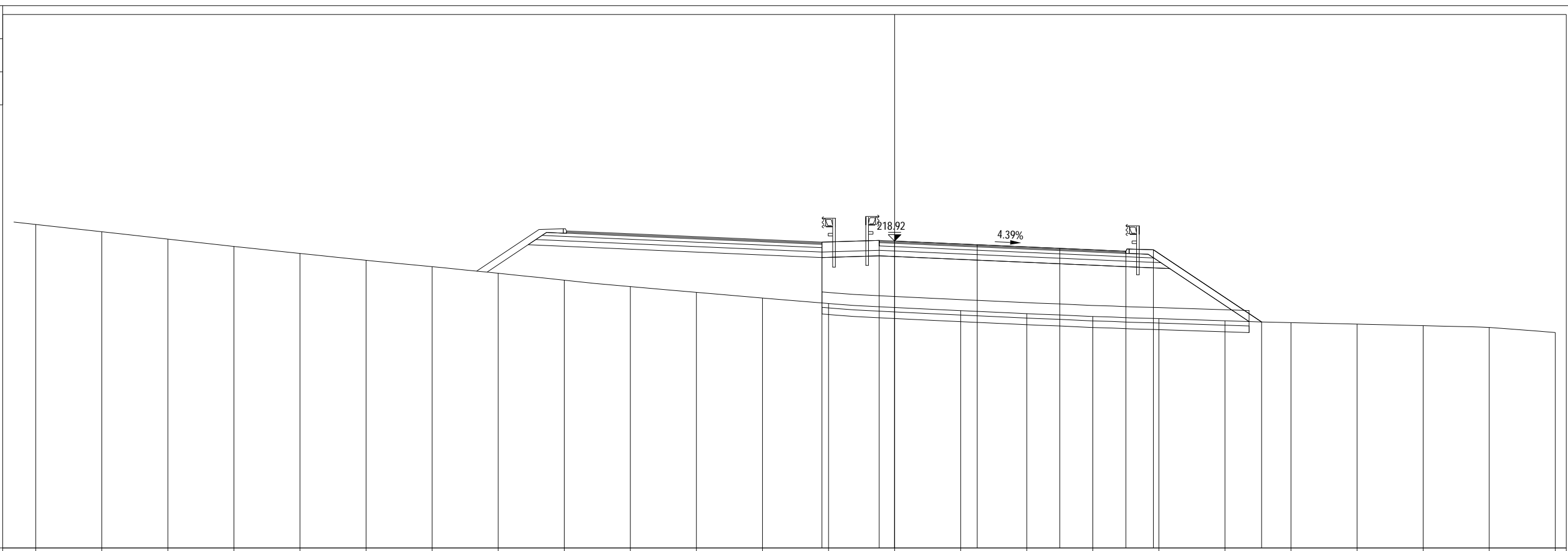
												219.50	219.57	219.55	219.39	219.24	219.11	219.18	216.44				
--	--	--	--	--	--	--	--	--	--	--	--	--------	--------	--------	--------	--------	--------	--------	--------	--	--	--	--

PROFILO 2.6a\_CUNEO

SEZIONE 210

PROGRESSIVA 4082.24

A RILEVATO	m <sup>2</sup>	40.53
AN ANTICAPILLARE	m <sup>2</sup>	9.73
C BINDER	m <sup>2</sup>	0.56
D BASE	m <sup>2</sup>	1.86
MC MISTO CEMENTATO	m <sup>2</sup>	3.70
MS MISTO STABILIZZATO	m <sup>2</sup>	3.91
VR VEGETALE RIL	m <sup>2</sup>	1.92
a USURA	m	11.21
br BONIFICA	m	19.45
sc SCOTICO	m	19.45
tn TNT	m	19.45



PROGRESSIVE TERRENO

-39.00	-36.00	-33.00	-30.00	-27.00	-24.00	-21.00	-18.00	-15.00	-12.00	-9.00	-6.00	-3.00	0.00	3.00	6.00	9.00	12.00	15.00	18.00	21.00	24.00	27.00	30.00
--------	--------	--------	--------	--------	--------	--------	--------	--------	--------	-------	-------	-------	------	------	------	------	-------	-------	-------	-------	-------	-------	-------

PARZIALI TERRENO

3.00	3.00	3.00	3.00	3.00	3.00	3.00	3.00	3.00	3.00	3.00	3.00	3.00	3.00	3.00	3.00	3.00	3.00	3.00	3.00	3.00	3.00	3.00	3.00
------	------	------	------	------	------	------	------	------	------	------	------	------	------	------	------	------	------	------	------	------	------	------	------

QUOTE TERRENO

219.67	219.34	219.01	218.68	218.36	218.05	217.76	217.46	217.15	216.86	216.59	216.34	216.09	215.91	215.77	215.63	215.50	215.40	215.31	215.22	215.15	215.08	215.00	214.77
--------	--------	--------	--------	--------	--------	--------	--------	--------	--------	--------	--------	--------	--------	--------	--------	--------	--------	--------	--------	--------	--------	--------	--------

PROGRESSIVE PROGETTO

												-3.30	-0.70	0.00										
--	--	--	--	--	--	--	--	--	--	--	--	-------	-------	------	--	--	--	--	--	--	--	--	--	--

PARZIALI PROGETTO

												2.60	0.70	3.75	3.75	3.00	1.25	4.91					
--	--	--	--	--	--	--	--	--	--	--	--	------	------	------	------	------	------	------	--	--	--	--	--

QUOTE PROGETTO

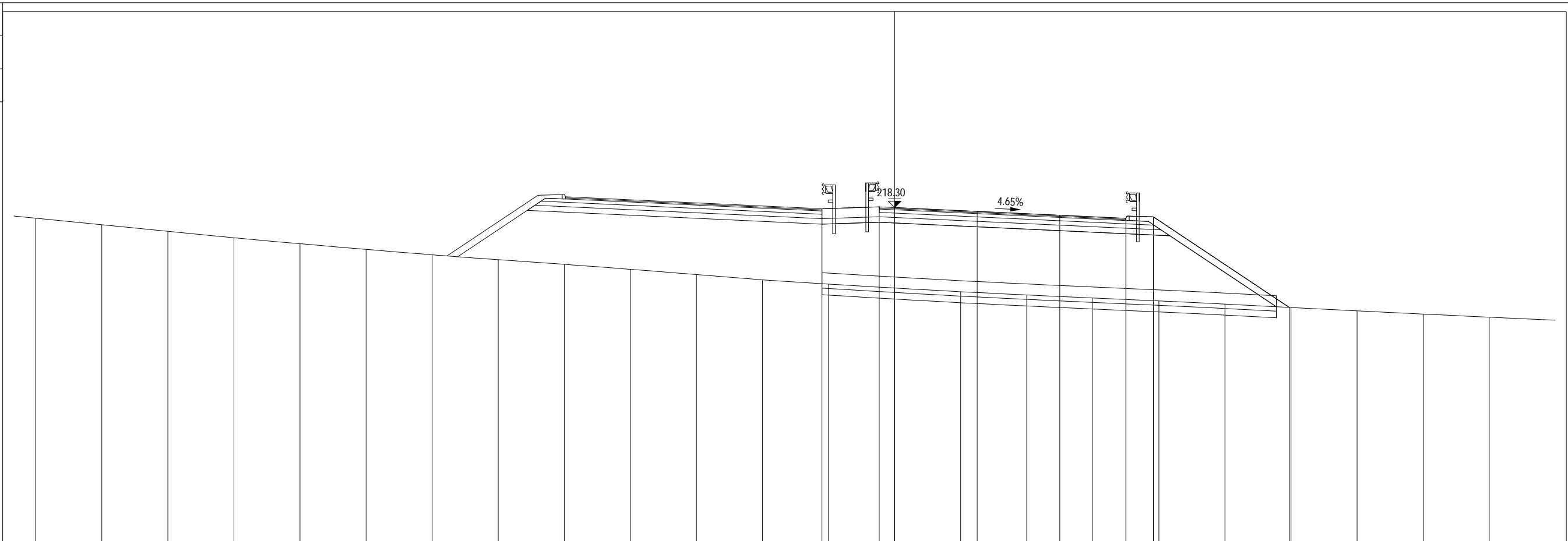
												218.87	218.95	218.92		218.76		218.59		218.46	218.53		215.25	
--	--	--	--	--	--	--	--	--	--	--	--	--------	--------	--------	--	--------	--	--------	--	--------	--------	--	--------	--

PROFILO 2.6a\_CUNEO

SEZIONE 211

PROGRESSIVA 4107.16

A RILEVATO	m <sup>2</sup>	54.04
AN ANTICAPILLARE	m <sup>2</sup>	10.34
C BINDER	m <sup>2</sup>	0.56
D BASE	m <sup>2</sup>	1.87
MC MISTO CEMENTATO	m <sup>2</sup>	3.71
MS MISTO STABILIZZATO	m <sup>2</sup>	3.92
VR VEGETALE RIL	m <sup>2</sup>	2.38
a USURA	m	11.21
br BONIFICA	m	20.68
sc SCOTICO	m	20.68
tn TNT	m	20.68



PROGRESSIVE TERRENO

-39.00	-36.00	-33.00	-30.00	-27.00	-24.00	-21.00	-18.00	-15.00	-12.00	-9.00	-6.00	-3.00	0.00	3.00	6.00	9.00	12.00	15.00	18.00	21.00	24.00	27.00
--------	--------	--------	--------	--------	--------	--------	--------	--------	--------	-------	-------	-------	------	------	------	------	-------	-------	-------	-------	-------	-------

PARZIALI TERRENO

3.00	3.00	3.00	3.00	3.00	3.00	3.00	3.00	3.00	3.00	3.00	3.00	3.00	3.00	3.00	3.00	3.00	3.00	3.00	3.00	3.00	3.00	3.00
------	------	------	------	------	------	------	------	------	------	------	------	------	------	------	------	------	------	------	------	------	------	------

QUOTE TERRENO

217.81	217.52	217.22	216.93	216.66	216.40	216.15	215.93	215.72	215.49	215.26	215.02	214.82	214.64	214.47	214.33	214.19	214.06	213.91	213.76	213.61	213.46	213.32
--------	--------	--------	--------	--------	--------	--------	--------	--------	--------	--------	--------	--------	--------	--------	--------	--------	--------	--------	--------	--------	--------	--------

PROGRESSIVE PROGETTO

												-3.30	-0.70	0.00	3.75	7.50	10.50	11.75	17.92			
--	--	--	--	--	--	--	--	--	--	--	--	-------	-------	------	------	------	-------	-------	-------	--	--	--

PARZIALI PROGETTO

												2.60	0.70	3.75	3.75	3.00	1.25	6.17				
--	--	--	--	--	--	--	--	--	--	--	--	------	------	------	------	------	------	------	--	--	--	--

QUOTE PROGETTO

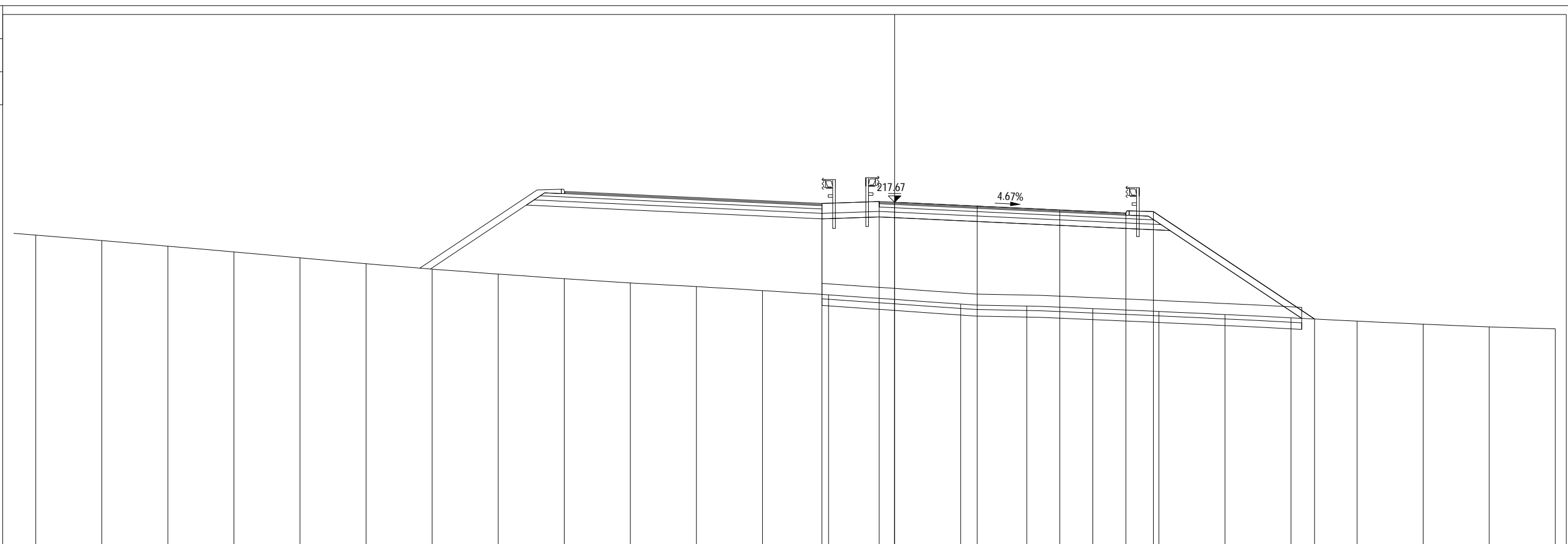
												218.24	218.33	218.30	218.12	217.95	217.81	217.88	213.76			
--	--	--	--	--	--	--	--	--	--	--	--	--------	--------	--------	--------	--------	--------	--------	--------	--	--	--

PROFILO 2.6a\_CUNEO

SEZIONE 212

PROGRESSIVA 4132.07

A RILEVATO	m <sup>2</sup>	69.83
AN ANTICAPILLARE	m <sup>2</sup>	10.92
C BINDER	m <sup>2</sup>	0.56
D BASE	m <sup>2</sup>	1.87
MC MISTO CEMENTATO	m <sup>2</sup>	3.70
MS MISTO STABILIZZATO	m <sup>2</sup>	3.92
VR VEGETALE RIL	m <sup>2</sup>	2.77
a USURA	m	11.21
br BONIFICA	m	21.86
sc SCOTICO	m	21.86
tn TNT	m	21.84



PROGRESSIVE TERRENO

-39.00	-36.00	-33.00	-30.00	-27.00	-24.00	-21.00	-18.00	-15.00	-12.00	-9.00	-6.00	-3.00	0.00	3.00	6.00	9.00	12.00	15.00	18.00	21.00	24.00	27.00	30.00
--------	--------	--------	--------	--------	--------	--------	--------	--------	--------	-------	-------	-------	------	------	------	------	-------	-------	-------	-------	-------	-------	-------

PARZIALI TERRENO

3.00	3.00	3.00	3.00	3.00	3.00	3.00	3.00	3.00	3.00	3.00	3.00	3.00	3.00	3.00	3.00	3.00	3.00	3.00	3.00	3.00	3.00	3.00	3.00
------	------	------	------	------	------	------	------	------	------	------	------	------	------	------	------	------	------	------	------	------	------	------	------

QUOTE TERRENO

216.18	215.93	215.68	215.42	215.15	214.88	214.63	214.41	214.20	214.01	213.84	213.66	213.47	213.26	213.05	212.96	212.84	212.71	212.57	212.42	212.28	212.13	212.01	211.92
--------	--------	--------	--------	--------	--------	--------	--------	--------	--------	--------	--------	--------	--------	--------	--------	--------	--------	--------	--------	--------	--------	--------	--------

PROGRESSIVE PROGETTO

												-3.30	-0.70	0.00	3.75	7.50	10.50	11.75		19.07			
--	--	--	--	--	--	--	--	--	--	--	--	-------	-------	------	------	------	-------	-------	--	-------	--	--	--

PARZIALI PROGETTO

												2.60	0.70	3.75	3.75	3.00	1.25	7.32					
--	--	--	--	--	--	--	--	--	--	--	--	------	------	------	------	------	------	------	--	--	--	--	--

QUOTE PROGETTO

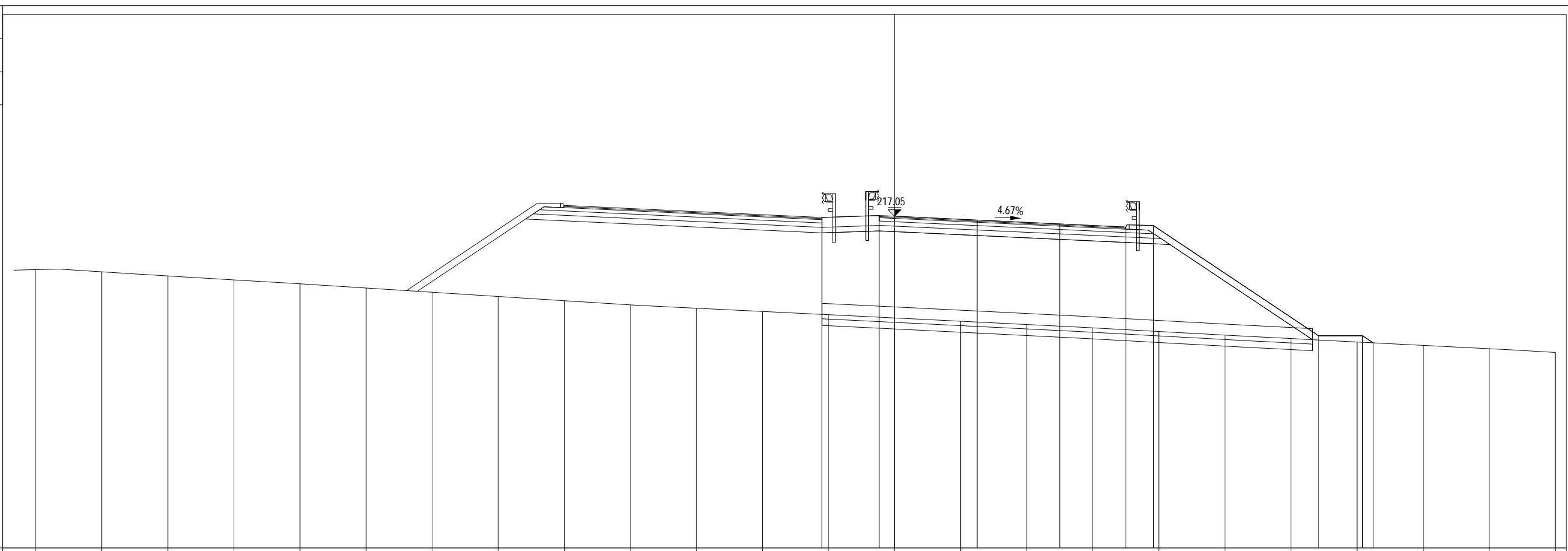
												217.62	217.71	217.67	217.50	217.32	217.18	217.25		212.37			
--	--	--	--	--	--	--	--	--	--	--	--	--------	--------	--------	--------	--------	--------	--------	--	--------	--	--	--

PROFILO 2.6a\_CUNEO

SEZIONE 213

PROGRESSIVA 4156.98

A RILEVATO	m <sup>2</sup>	74.89
AN ANTICAPILLARE	m <sup>2</sup>	11.17
C BINDER	m <sup>2</sup>	0.56
D BASE	m <sup>2</sup>	1.87
MC MISTO CEMENTATO	m <sup>2</sup>	3.70
MS MISTO STABILIZZATO	m <sup>2</sup>	3.92
VR VEGETALE RIL	m <sup>2</sup>	3.32
a USURA	m	11.21
br BONIFICA	m	22.33
sc SCOTICO	m	22.33
tn TNT	m	22.33



PROGRESSIVE TERRENO

-39.00	-36.00	-33.00	-30.00	-27.00	-24.00	-21.00	-18.00	-15.00	-12.00	-9.00	-6.00	-3.00	0.00	3.00	6.00	9.00	12.00	15.00	18.00	21.00	24.00	27.00	30.00
--------	--------	--------	--------	--------	--------	--------	--------	--------	--------	-------	-------	-------	------	------	------	------	-------	-------	-------	-------	-------	-------	-------

PARZIALI TERRENO

3.00	3.00	3.00	3.00	3.00	3.00	3.00	3.00	3.00	3.00	3.00	3.00	3.00	3.00	3.00	3.00	3.00	3.00	3.00	3.00	3.00	3.00	3.00	3.00
------	------	------	------	------	------	------	------	------	------	------	------	------	------	------	------	------	------	------	------	------	------	------	------

QUOTE TERRENO

214.63	214.53	214.34	214.16	213.98	213.79	213.60	213.41	213.22	213.03	212.87	212.73	212.58	212.43	212.29	212.14	211.98	211.82	211.66	211.50	211.34	211.19	211.04	210.87
--------	--------	--------	--------	--------	--------	--------	--------	--------	--------	--------	--------	--------	--------	--------	--------	--------	--------	--------	--------	--------	--------	--------	--------

PROGRESSIVE PROGETTO

												-3.30	-0.70	0.00		3.75	7.50	10.50	11.75		19.25	21.25	21.73
--	--	--	--	--	--	--	--	--	--	--	--	-------	-------	------	--	------	------	-------	-------	--	-------	-------	-------

PARZIALI PROGETTO

												2.60	0.70	3.75	3.75	3.00	1.25	7.50	2.00	0.48			
--	--	--	--	--	--	--	--	--	--	--	--	------	------	------	------	------	------	------	------	------	--	--	--

QUOTE PROGETTO

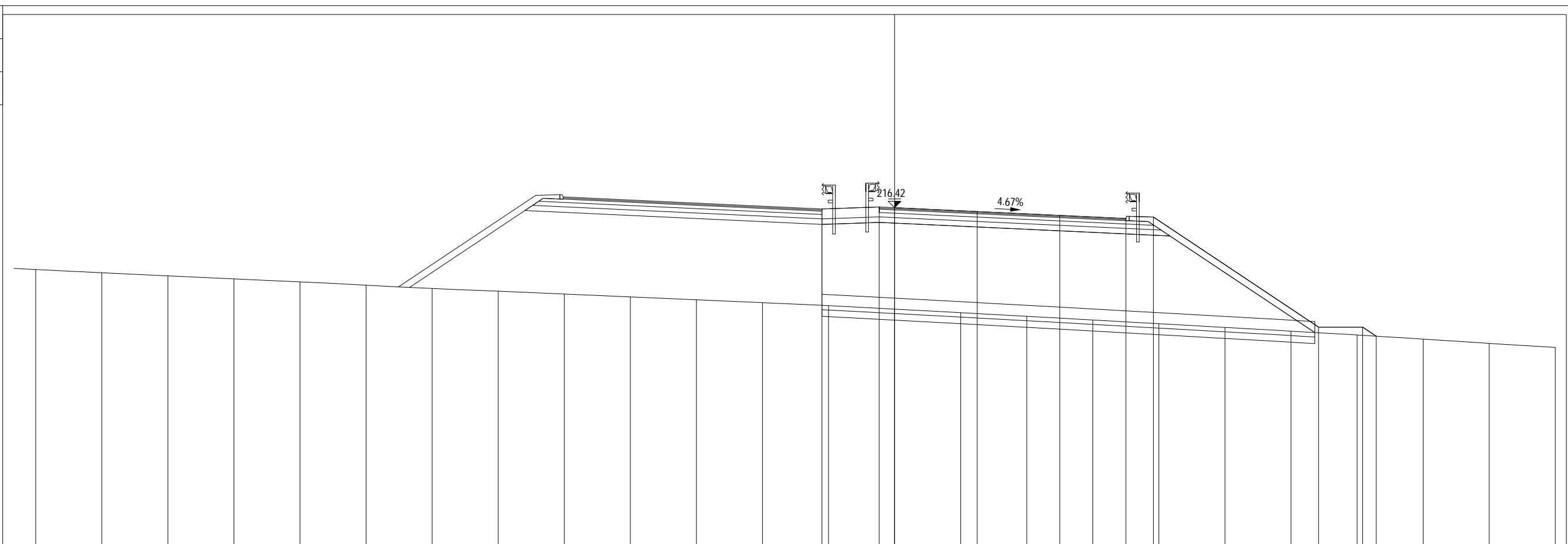
												216.99	217.08	217.05		216.87	216.70	216.56	216.63		211.63	211.63	211.31
--	--	--	--	--	--	--	--	--	--	--	--	--------	--------	--------	--	--------	--------	--------	--------	--	--------	--------	--------

PROFILO 2.6a\_CUNEO

SEZIONE 214

PROGRESSIVA 4181.89

A RILEVATO	m <sup>2</sup>	75.49
AN ANTICAPILLARE	m <sup>2</sup>	12.20
C BINDER	m <sup>2</sup>	0.56
D BASE	m <sup>2</sup>	1.87
MC MISTO CEMENTATO	m <sup>2</sup>	3.70
MS MISTO STABILIZZATO	m <sup>2</sup>	3.91
VR VEGETALE RIL	m <sup>2</sup>	3.46
a USURA	m	11.21
br BONIFICA	m	24.43
sc SCOTICO	m	24.43
tn TNT	m	24.42



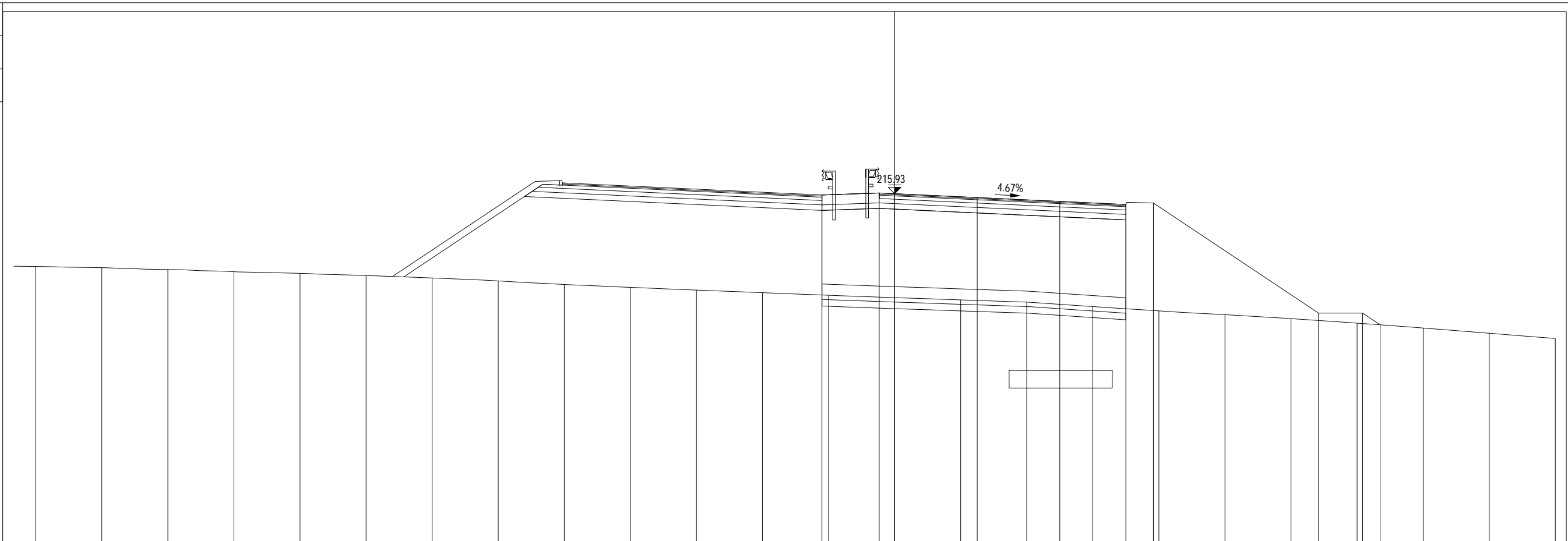
PROGRESSIVE TERRENO	-39.00	-36.00	-33.00	-30.00	-27.00	-24.00	-21.00	-18.00	-15.00	-12.00	-9.00	-6.00	-3.00	0.00	3.00	6.00	9.00	12.00	15.00	18.00	21.00	24.00	27.00	30.00
PARZIALI TERRENO		3.00	3.00	3.00	3.00	3.00	3.00	3.00	3.00	3.00	3.00	3.00	3.00	3.00	3.00	3.00	3.00	3.00	3.00	3.00	3.00	3.00	3.00	3.00
QUOTE TERRENO	213.62	213.47	213.33	213.19	213.06	212.91	212.76	212.63	212.50	212.37	212.24	212.11	211.98	211.82	211.66	211.49	211.33	211.16	210.99	210.82	210.64	210.46	210.26	210.08
PROGRESSIVE PROGETTO													-3.30	-0.70	0.00	3.75	7.50	10.50	11.75		19.25	21.25	21.87	
PARZIALI PROGETTO													2.60	0.70	3.75	3.75	3.00	1.25	7.50	2.00	0.62			
QUOTE PROGETTO													216.37	216.46	216.42	216.25	216.07	215.93	216.00		211.00	211.00	210.59	

PROFILO 2.6a\_CUNEO

SEZIONE 215

PROGRESSIVA 4201.76

A RILEVATO	m <sup>2</sup>	54.95
AN ANTICAPILLARE	m <sup>2</sup>	6.90
C BINDER	m <sup>2</sup>	0.56
D BASE	m <sup>2</sup>	1.68
MC MISTO CEMENTATO	m <sup>2</sup>	3.41
MS MISTO STABILIZZATO	m <sup>2</sup>	3.45
a USURA	m	11.21
br BONIFICA	m	13.80
sc SCOTICO	m	13.80
tn TNT	m	13.80



PROGRESSIVE TERRENO

-39.00	-36.00	-33.00	-30.00	-27.00	-24.00	-21.00	-18.00	-15.00	-12.00	-9.00	-6.00	-3.00	0.00	3.00	6.00	9.00	12.00	15.00	18.00	21.00	24.00	27.00	30.00
--------	--------	--------	--------	--------	--------	--------	--------	--------	--------	-------	-------	-------	------	------	------	------	-------	-------	-------	-------	-------	-------	-------

PARZIALI TERRENO

3.00	3.00	3.00	3.00	3.00	3.00	3.00	3.00	3.00	3.00	3.00	3.00	3.00	3.00	3.00	3.00	3.00	3.00	3.00	3.00	3.00	3.00	3.00	3.00
------	------	------	------	------	------	------	------	------	------	------	------	------	------	------	------	------	------	------	------	------	------	------	------

QUOTE TERRENO

212.62	212.57	212.48	212.38	212.31	212.21	212.10	211.96	211.80	211.67	211.55	211.43	211.31	211.20	211.10	211.00	210.80	210.60	210.43	210.25	210.05	209.83	209.59	209.35
--------	--------	--------	--------	--------	--------	--------	--------	--------	--------	--------	--------	--------	--------	--------	--------	--------	--------	--------	--------	--------	--------	--------	--------

PROGRESSIVE PROGETTO

												-3.30	-0.70	0.00	3.75	7.50	10.50	11.75		19.25	21.25	22.05	
--	--	--	--	--	--	--	--	--	--	--	--	-------	-------	------	------	------	-------	-------	--	-------	-------	-------	--

PARZIALI PROGETTO

												2.60	0.70	3.75	3.75	3.00	1.25	7.50		2.00	0.80		
--	--	--	--	--	--	--	--	--	--	--	--	------	------	------	------	------	------	------	--	------	------	--	--

QUOTE PROGETTO

												215.87	215.96	215.93	215.75	215.58	215.44	215.50		210.50	210.50	209.97	
--	--	--	--	--	--	--	--	--	--	--	--	--------	--------	--------	--------	--------	--------	--------	--	--------	--------	--------	--

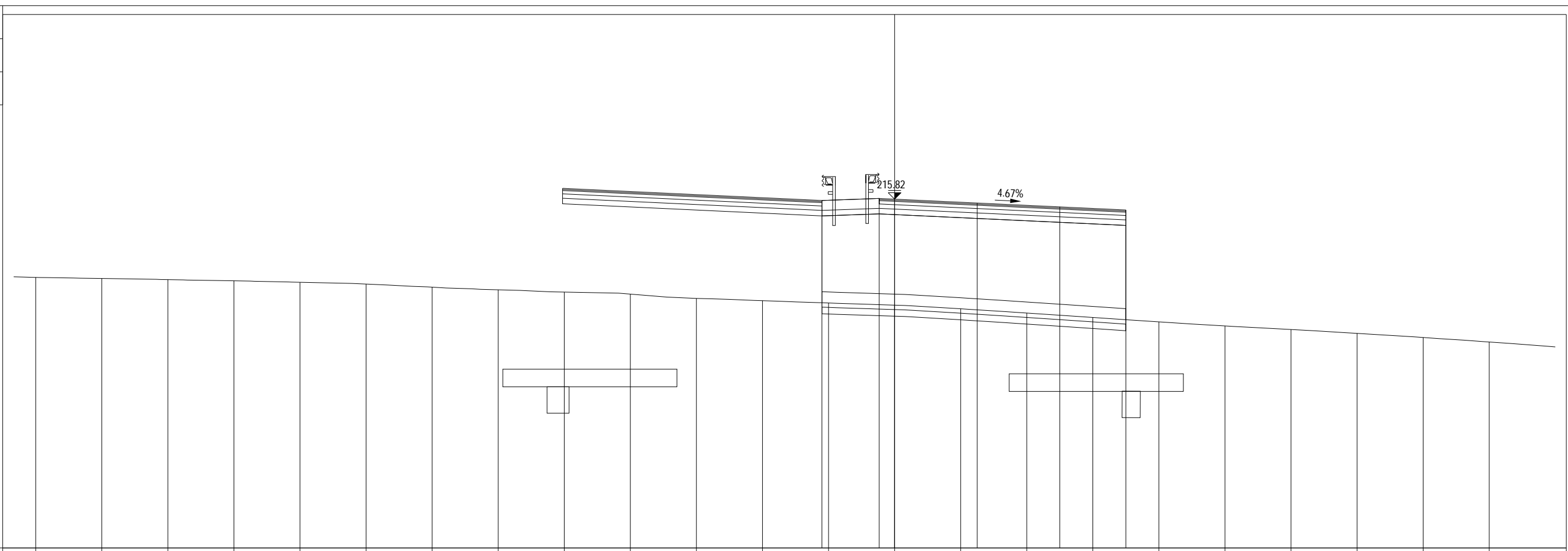


PROFILO 2.6a\_CUNEO

SEZIONE 216

PROGRESSIVA 4205.95

A RILEVATO	m <sup>2</sup>	57.16
AN ANTICAPILLARE	m <sup>2</sup>	6.88
C BINDER	m <sup>2</sup>	0.56
D BASE	m <sup>2</sup>	1.68
MC MISTO CEMENTATO	m <sup>2</sup>	3.41
MS MISTO STABILIZZATO	m <sup>2</sup>	3.45
a USURA	m	11.21
br BONIFICA	m	13.80
sc SCOTICO	m	13.80
tn TNT	m	13.80



PROGRESSIVE TERRENO

-39.00	-36.00	-33.00	-30.00	-27.00	-24.00	-21.00	-18.00	-15.00	-12.00	-9.00	-6.00	-3.00	0.00	3.00	6.00	9.00	12.00	15.00	18.00	21.00	24.00	27.00
--------	--------	--------	--------	--------	--------	--------	--------	--------	--------	-------	-------	-------	------	------	------	------	-------	-------	-------	-------	-------	-------

PARZIALI TERRENO

3.00	3.00	3.00	3.00	3.00	3.00	3.00	3.00	3.00	3.00	3.00	3.00	3.00	3.00	3.00	3.00	3.00	3.00	3.00	3.00	3.00	3.00	3.00
------	------	------	------	------	------	------	------	------	------	------	------	------	------	------	------	------	------	------	------	------	------	------

QUOTE TERRENO

212.27	212.22	212.17	212.12	212.05	211.97	211.83	211.71	211.61	211.51	211.32	211.22	211.11	211.01	210.85	210.66	210.46	210.26	210.07	209.91	209.73	209.55	209.34
--------	--------	--------	--------	--------	--------	--------	--------	--------	--------	--------	--------	--------	--------	--------	--------	--------	--------	--------	--------	--------	--------	--------

PROGRESSIVE PROGETTO

												-3.30	-0.70	0.00	3.75	7.50	10.50					
--	--	--	--	--	--	--	--	--	--	--	--	-------	-------	------	------	------	-------	--	--	--	--	--

PARZIALI PROGETTO

												2.60	0.70	3.75	3.75	3.00						
--	--	--	--	--	--	--	--	--	--	--	--	------	------	------	------	------	--	--	--	--	--	--

QUOTE PROGETTO

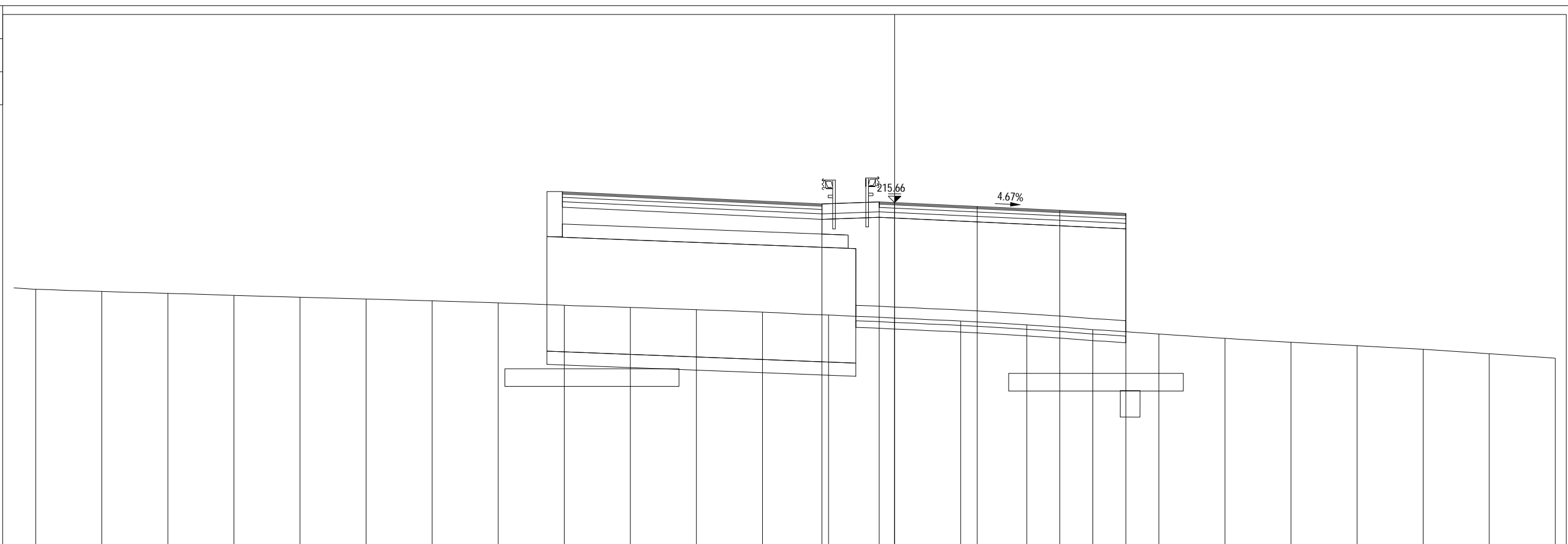
												215.76	215.85	215.82	215.65	215.47	215.33					
--	--	--	--	--	--	--	--	--	--	--	--	--------	--------	--------	--------	--------	--------	--	--	--	--	--

PROFILO 2.6a\_CUNEO

SEZIONE 217

PROGRESSIVA 4212.62

A RILEVATO	m <sup>2</sup>	57.33
AN ANTICAPILLARE	m <sup>2</sup>	6.11
C BINDER	m <sup>2</sup>	0.56
D BASE	m <sup>2</sup>	1.68
MC MISTO CEMENTATO	m <sup>2</sup>	3.41
MS MISTO STABILIZZATO	m <sup>2</sup>	3.45
a USURA	m	11.21
br BONIFICA	m	12.26
sc SCOTICO	m	12.26
tn TNT	m	12.26



PROGRESSIVE TERRENO

-39.00	-36.00	-33.00	-30.00	-27.00	-24.00	-21.00	-18.00	-15.00	-12.00	-9.00	-6.00	-3.00	0.00	3.00	6.00	9.00	12.00	15.00	18.00	21.00	24.00	27.00	30.00
--------	--------	--------	--------	--------	--------	--------	--------	--------	--------	-------	-------	-------	------	------	------	------	-------	-------	-------	-------	-------	-------	-------

PARZIALI TERRENO

3.00	3.00	3.00	3.00	3.00	3.00	3.00	3.00	3.00	3.00	3.00	3.00	3.00	3.00	3.00	3.00	3.00	3.00	3.00	3.00	3.00	3.00	3.00	3.00
------	------	------	------	------	------	------	------	------	------	------	------	------	------	------	------	------	------	------	------	------	------	------	------

QUOTE TERRENO

211.72	211.62	211.53	211.44	211.36	211.28	211.20	211.10	210.99	210.90	210.79	210.68	210.55	210.41	210.28	210.10	209.89	209.69	209.49	209.31	209.16	208.99	208.79	208.59
--------	--------	--------	--------	--------	--------	--------	--------	--------	--------	--------	--------	--------	--------	--------	--------	--------	--------	--------	--------	--------	--------	--------	--------

PROGRESSIVE PROGETTO

												-3.30	-0.70	0.00	3.75	7.50	10.50						
--	--	--	--	--	--	--	--	--	--	--	--	-------	-------	------	------	------	-------	--	--	--	--	--	--

PARZIALI PROGETTO

												2.60	0.70	3.75	3.75	3.00							
--	--	--	--	--	--	--	--	--	--	--	--	------	------	------	------	------	--	--	--	--	--	--	--

QUOTE PROGETTO

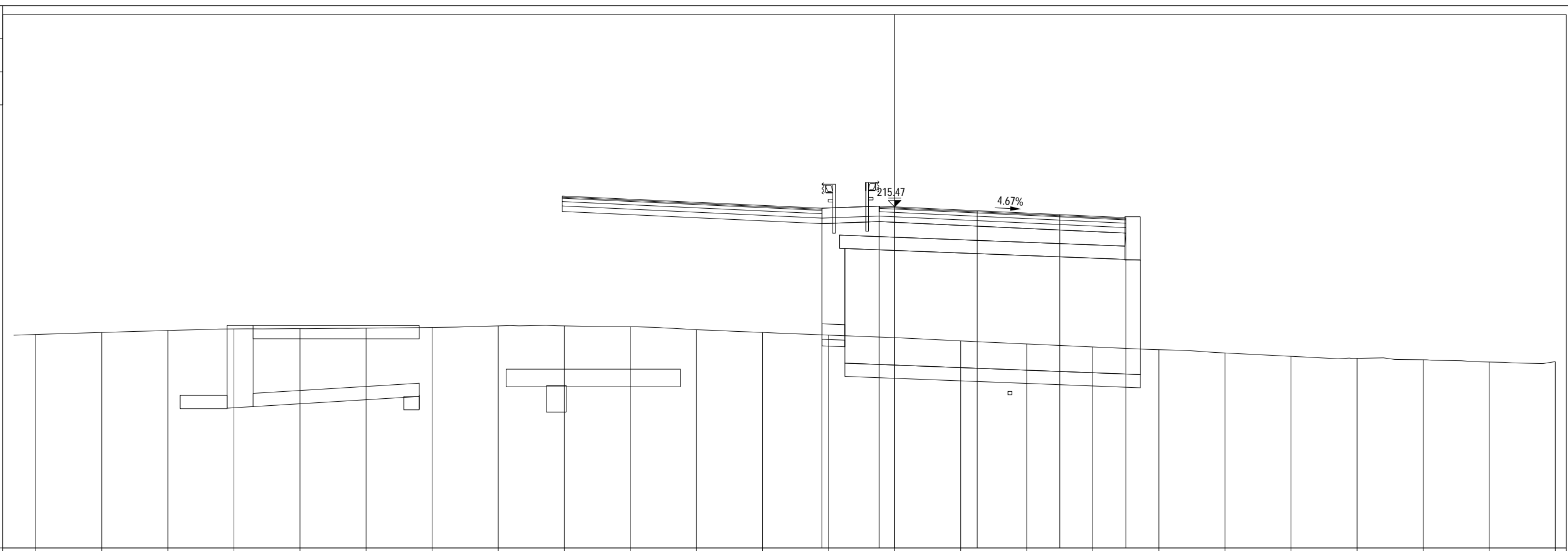
												215.60	215.69	215.66	215.48	215.30	215.16						
--	--	--	--	--	--	--	--	--	--	--	--	--------	--------	--------	--------	--------	--------	--	--	--	--	--	--

PROFILO 2.6a\_CUNEO

SEZIONE 218

PROGRESSIVA 4219.90

A RILEVATO	m <sup>2</sup>	13.28
AN ANTICAPILLARE	m <sup>2</sup>	0.52
C BINDER	m <sup>2</sup>	0.56
D BASE	m <sup>2</sup>	1.68
MC MISTO CEMENTATO	m <sup>2</sup>	3.41
MS MISTO STABILIZZATO	m <sup>2</sup>	3.45
a USURA	m	11.21
br BONIFICA	m	1.04
sc SCOTICO	m	1.04
tn TNT	m	1.04



PROGRESSIVE TERRENO

-39.00	-36.00	-33.00	-30.00	-27.00	-24.00	-21.00	-18.00	-15.00	-12.00	-9.00	-6.00	-3.00	0.00	3.00	6.00	9.00	12.00	15.00	18.00	21.00	24.00	27.00	30.00
--------	--------	--------	--------	--------	--------	--------	--------	--------	--------	-------	-------	-------	------	------	------	------	-------	-------	-------	-------	-------	-------	-------

PARZIALI TERRENO

3.00	3.00	3.00	3.00	3.00	3.00	3.00	3.00	3.00	3.00	3.00	3.00	3.00	3.00	3.00	3.00	3.00	3.00	3.00	3.00	3.00	3.00	3.00	3.00
------	------	------	------	------	------	------	------	------	------	------	------	------	------	------	------	------	------	------	------	------	------	------	------

QUOTE TERRENO

209.68	209.78	209.86	209.94	209.95	209.97	210.00	210.07	210.07	210.04	209.90	209.78	209.66	209.54	209.39	209.25	209.12	208.99	208.85	208.69	208.60	208.54	208.43	208.45
--------	--------	--------	--------	--------	--------	--------	--------	--------	--------	--------	--------	--------	--------	--------	--------	--------	--------	--------	--------	--------	--------	--------	--------

PROGRESSIVE PROGETTO

												-3.30	-0.70	0.00	3.75	7.50	10.50							
--	--	--	--	--	--	--	--	--	--	--	--	-------	-------	------	------	------	-------	--	--	--	--	--	--	--

PARZIALI PROGETTO

												2.60	0.70	3.75	3.75	3.00								
--	--	--	--	--	--	--	--	--	--	--	--	------	------	------	------	------	--	--	--	--	--	--	--	--

QUOTE PROGETTO

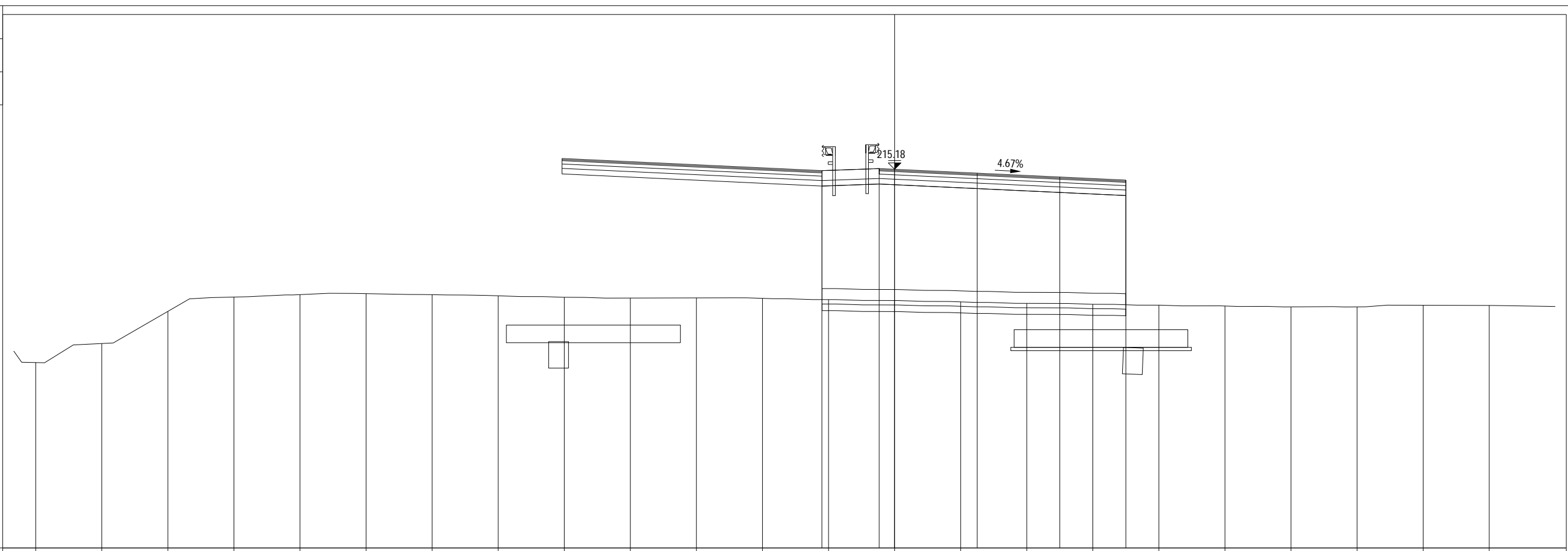
												215.41	215.51	215.47	215.30	215.12	214.98							
--	--	--	--	--	--	--	--	--	--	--	--	--------	--------	--------	--------	--------	--------	--	--	--	--	--	--	--

PROFILO 2.6a\_CUNEO

SEZIONE 219

PROGRESSIVA 4231.71

A RILEVATO	m <sup>2</sup>	70.94
AN ANTICAPILLARE	m <sup>2</sup>	6.91
C BINDER	m <sup>2</sup>	0.56
D BASE	m <sup>2</sup>	1.68
MC MISTO CEMENTATO	m <sup>2</sup>	3.41
MS MISTO STABILIZZATO	m <sup>2</sup>	3.45
a USURA	m	11.21
br BONIFICA	m	13.80
sc SCOTICO	m	13.80
tn TNT	m	13.80



PROGRESSIVE TERRENO

-39.00	-36.00	-33.00	-30.00	-27.00	-24.00	-21.00	-18.00	-15.00	-12.00	-9.00	-6.00	-3.00	0.00	3.00	6.00	9.00	12.00	15.00	18.00	21.00	24.00	27.00
--------	--------	--------	--------	--------	--------	--------	--------	--------	--------	-------	-------	-------	------	------	------	------	-------	-------	-------	-------	-------	-------

PARZIALI TERRENO

3.00	3.00	3.00	3.00	3.00	3.00	3.00	3.00	3.00	3.00	3.00	3.00	3.00	3.00	3.00	3.00	3.00	3.00	3.00	3.00	3.00	3.00	3.00
------	------	------	------	------	------	------	------	------	------	------	------	------	------	------	------	------	------	------	------	------	------	------

QUOTE TERRENO

206.41	207.27	208.73	209.38	209.49	209.54	209.49	209.44	209.37	209.34	209.34	209.32	209.27	209.22	209.16	209.10	209.05	209.01	208.98	208.94	208.94	209.01	209.00
--------	--------	--------	--------	--------	--------	--------	--------	--------	--------	--------	--------	--------	--------	--------	--------	--------	--------	--------	--------	--------	--------	--------

PROGRESSIVE PROGETTO

												-3.30	-0.70	0.00	3.75	7.50	10.50					
--	--	--	--	--	--	--	--	--	--	--	--	-------	-------	------	------	------	-------	--	--	--	--	--

PARZIALI PROGETTO

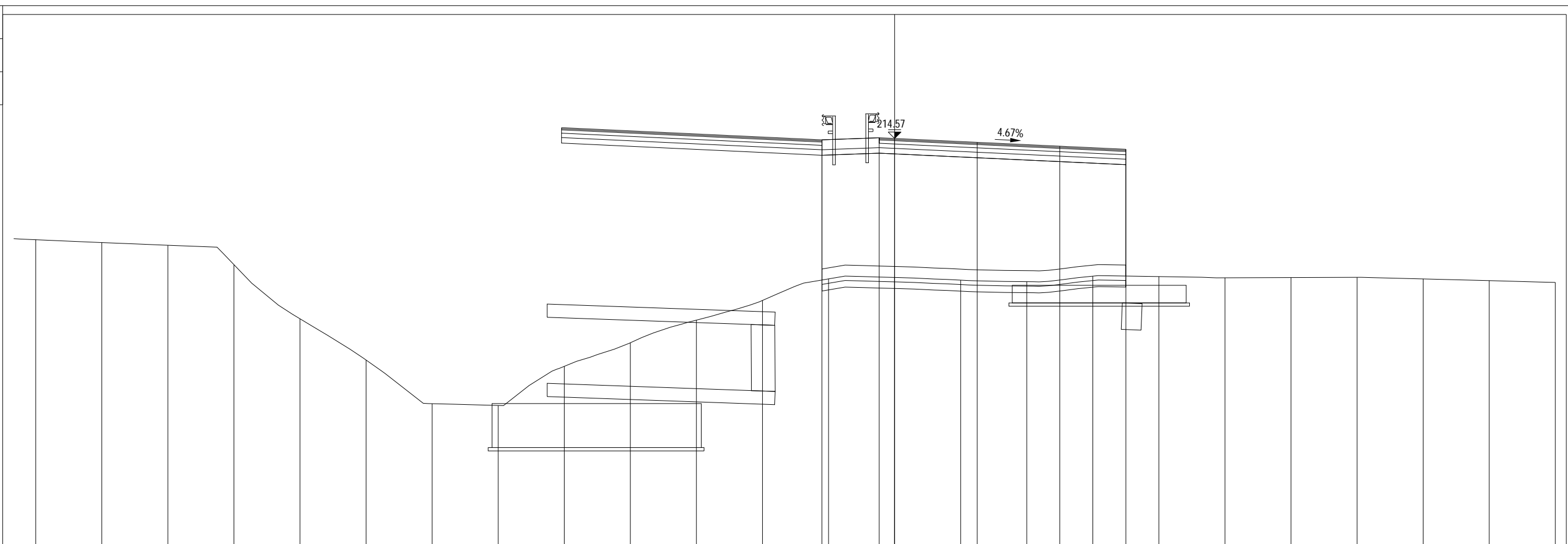
												2.60	0.70	3.75	3.75	3.00						
--	--	--	--	--	--	--	--	--	--	--	--	------	------	------	------	------	--	--	--	--	--	--

QUOTE PROGETTO

												215.12	215.21	215.18	215.00	214.83	214.69					
--	--	--	--	--	--	--	--	--	--	--	--	--------	--------	--------	--------	--------	--------	--	--	--	--	--

PROFILO 2.6a\_CUNEO  
 SEZIONE 220  
 PROGRESSIVA 4256.00

A RILEVATO	m <sup>2</sup>	75.67
AN ANTICAPILLARE	m <sup>2</sup>	6.94
C BINDER	m <sup>2</sup>	0.56
D BASE	m <sup>2</sup>	1.68
MC MISTO CEMENTATO	m <sup>2</sup>	3.41
MS MISTO STABILIZZATO	m <sup>2</sup>	3.45
a USURA	m	11.21
br BONIFICA	m	13.82
sc SCOTICO	m	13.82
tn TNT	m	13.80



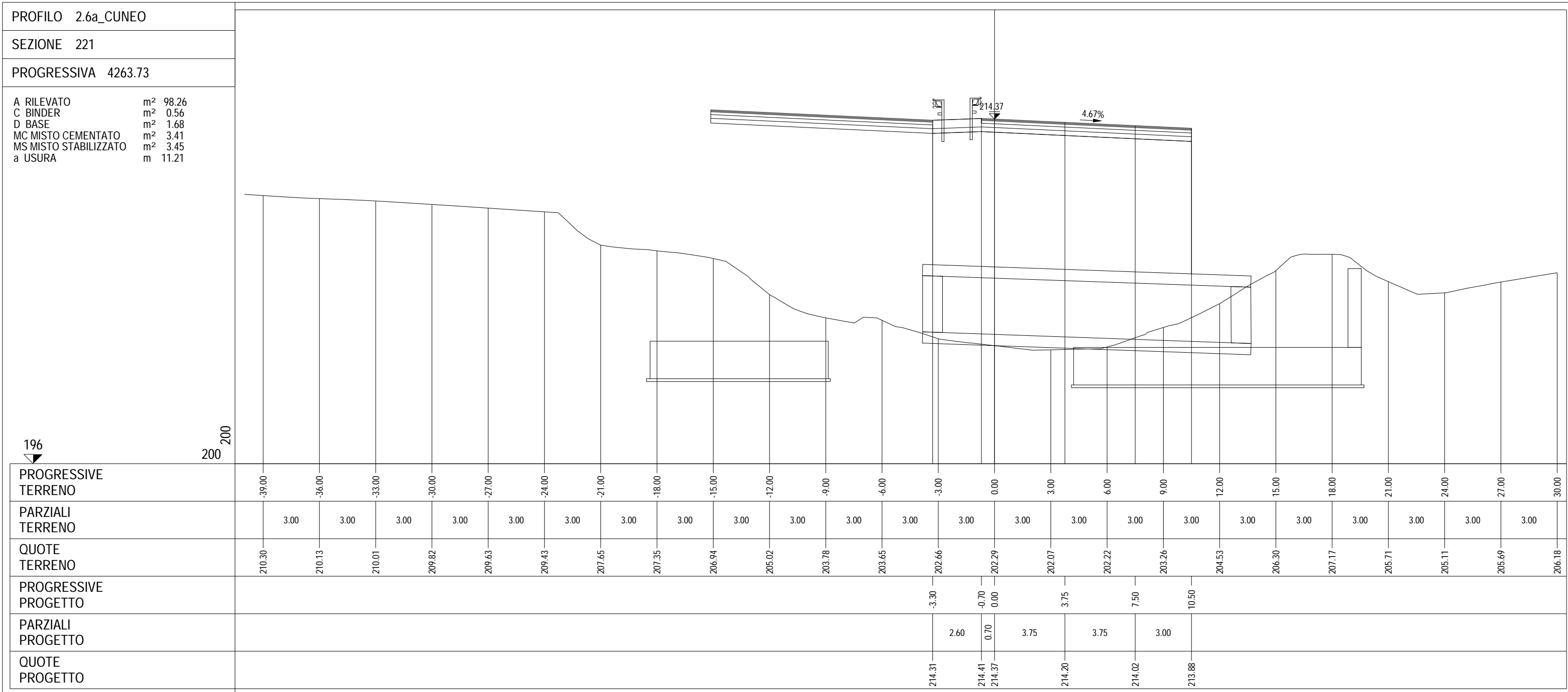
PROGRESSIVE TERRENO	-39.00	-36.00	-33.00	-30.00	-27.00	-24.00	-21.00	-18.00	-15.00	-12.00	-9.00	-6.00	-3.00	0.00	3.00	6.00	9.00	12.00	15.00	18.00	21.00	24.00	27.00	30.00
PARZIALI TERRENO		3.00	3.00	3.00	3.00	3.00	3.00	3.00	3.00	3.00	3.00	3.00	3.00	3.00	3.00	3.00	3.00	3.00	3.00	3.00	3.00	3.00	3.00	3.00
QUOTE TERRENO	209.97	209.84	209.72	208.84	206.38	204.51	202.52	202.44	204.22	205.29	206.32	207.21	208.19	208.26	208.13	208.07	208.32	208.30	208.24	208.25	208.26	208.19	208.11	208.03
PROGRESSIVE PROGETTO													-3.30	-0.70	0.00	3.75	7.50	10.50						
PARZIALI PROGETTO													2.60	0.70	3.75	3.75	3.00							
QUOTE PROGETTO													214.51	214.60	214.57	214.39	214.22	214.08						

PROFILO 2.6a\_CUNEO

SEZIONE 221

PROGRESSIVA 4263.73

A RILEVATO	m <sup>2</sup>	98.26
C BINDER	m <sup>2</sup>	0.56
D BASE	m <sup>2</sup>	1.68
MC MISTO CEMENTATO	m <sup>2</sup>	3.41
MS MISTO STABILIZZATO	m <sup>2</sup>	3.45
a USURA	m	11.21

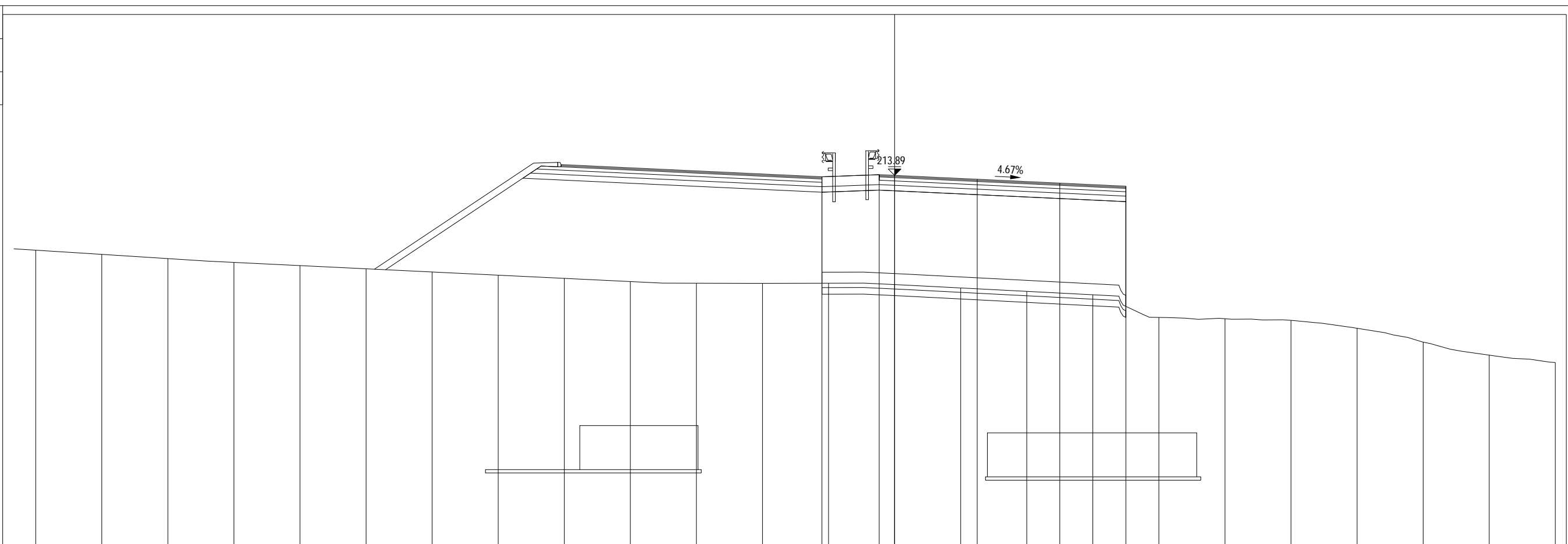


PROFILO 2.6a\_CUNEO

SEZIONE 222

PROGRESSIVA 4283.03

A RILEVATO	m <sup>2</sup>	58.86
AN ANTICAPILLARE	m <sup>2</sup>	6.88
C BINDER	m <sup>2</sup>	0.56
D BASE	m <sup>2</sup>	1.68
MC MISTO CEMENTATO	m <sup>2</sup>	3.41
MS MISTO STABILIZZATO	m <sup>2</sup>	3.45
a USURA	m	11.21
br BONIFICA	m	14.08
sc SCOTICO	m	14.08
tn TNT	m	13.80



197  
200

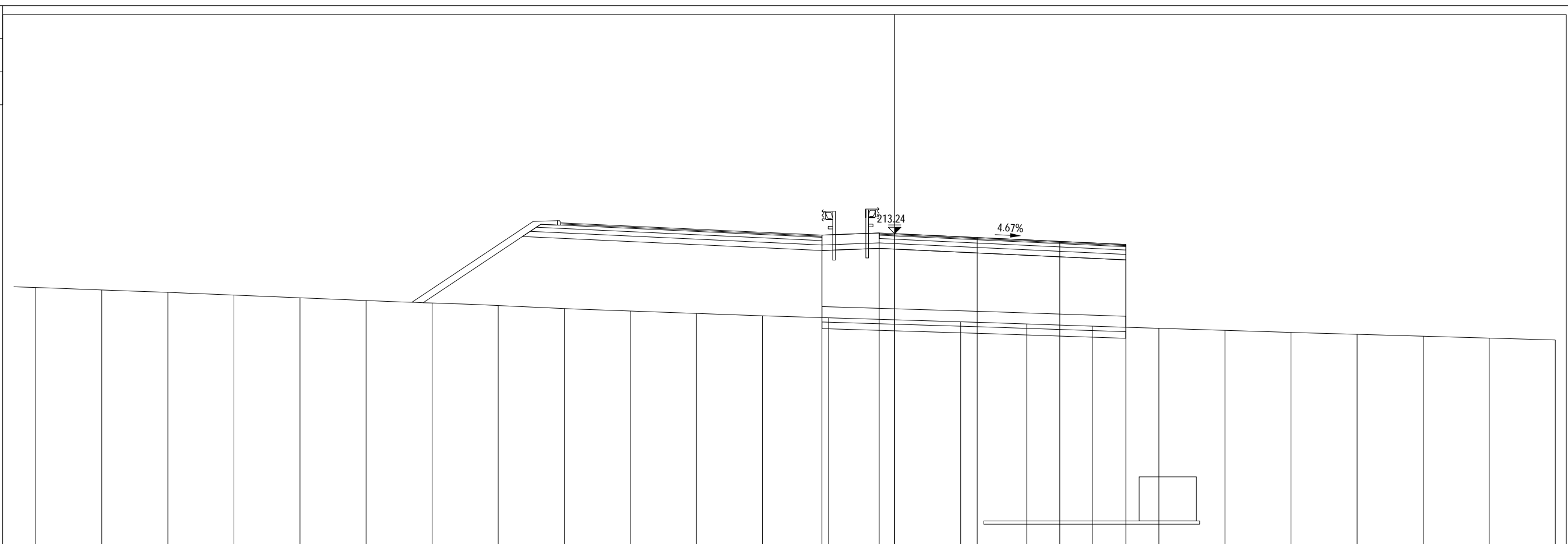
PROGRESSIVE TERRENO	-39.00	-36.00	-33.00	-30.00	-27.00	-24.00	-21.00	-18.00	-15.00	-12.00	-9.00	-6.00	-3.00	0.00	3.00	6.00	9.00	12.00	15.00	18.00	21.00	24.00	27.00	30.00
PARZIALI TERRENO		3.00	3.00	3.00	3.00	3.00	3.00	3.00	3.00	3.00	3.00	3.00	3.00	3.00	3.00	3.00	3.00	3.00	3.00	3.00	3.00	3.00	3.00	3.00
QUOTE TERRENO	210.50	210.31	210.11	209.94	209.80	209.65	209.51	209.36	209.22	209.07	209.00	208.99	209.00	208.93	208.78	208.63	208.47	207.44	207.38	207.31	206.95	206.32	205.73	205.40
PROGRESSIVE PROGETTO													-3.30	-0.70	0.00	3.75	7.50	10.50						
PARZIALI PROGETTO													2.60	0.70	3.75	3.75	3.00							
QUOTE PROGETTO													213.83	213.92	213.89	213.72	213.54	213.40						

PROFILO 2.6a\_CUNEO

SEZIONE 223

PROGRESSIVA 4308.85

A RILEVATO	m <sup>2</sup>	56.75
AN ANTICAPILLARE	m <sup>2</sup>	10.31
C BINDER	m <sup>2</sup>	0.56
D BASE	m <sup>2</sup>	1.87
MC MISTO CEMENTATO	m <sup>2</sup>	3.71
MS MISTO STABILIZZATO	m <sup>2</sup>	3.92
VR VEGETALE RIL	m <sup>2</sup>	2.34
a USURA	m	11.21
br BONIFICA	m	20.61
sc SCOTICO	m	20.61
tn TNT	m	20.61



PROGRESSIVE TERRENO

-39.00	-36.00	-33.00	-30.00	-27.00	-24.00	-21.00	-18.00	-15.00	-12.00	-9.00	-6.00	-3.00	0.00	3.00	6.00	9.00	12.00	15.00	18.00	21.00	24.00	27.00	30.00
--------	--------	--------	--------	--------	--------	--------	--------	--------	--------	-------	-------	-------	------	------	------	------	-------	-------	-------	-------	-------	-------	-------

PARZIALI TERRENO

3.00	3.00	3.00	3.00	3.00	3.00	3.00	3.00	3.00	3.00	3.00	3.00	3.00	3.00	3.00	3.00	3.00	3.00	3.00	3.00	3.00	3.00	3.00	3.00
------	------	------	------	------	------	------	------	------	------	------	------	------	------	------	------	------	------	------	------	------	------	------	------

QUOTE TERRENO

210.80	210.69	210.58	210.46	210.33	210.21	210.10	209.98	209.84	209.73	209.62	209.52	209.42	209.33	209.24	209.15	209.04	208.95	208.85	208.76	208.67	208.59	208.50	208.42
--------	--------	--------	--------	--------	--------	--------	--------	--------	--------	--------	--------	--------	--------	--------	--------	--------	--------	--------	--------	--------	--------	--------	--------

PROGRESSIVE PROGETTO

												-3.30	-0.70	0.00	3.75	7.50	10.50						
--	--	--	--	--	--	--	--	--	--	--	--	-------	-------	------	------	------	-------	--	--	--	--	--	--

PARZIALI PROGETTO

												2.60	0.70	3.75	3.75	3.00							
--	--	--	--	--	--	--	--	--	--	--	--	------	------	------	------	------	--	--	--	--	--	--	--

QUOTE PROGETTO

												213.18	213.28	213.24	213.07	212.89	212.75						
--	--	--	--	--	--	--	--	--	--	--	--	--------	--------	--------	--------	--------	--------	--	--	--	--	--	--

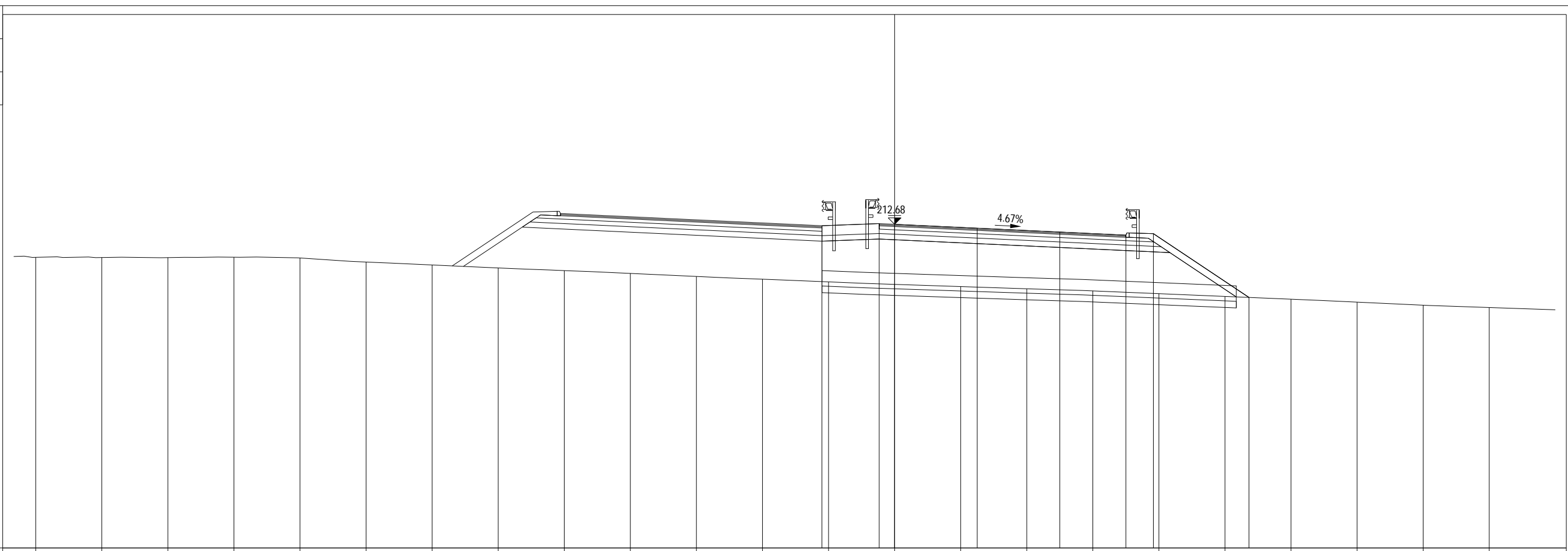


PROFILO 2.6a\_CUNEO

SEZIONE 224

PROGRESSIVA 4331.33

A RILEVATO	m <sup>2</sup>	33.58
AN ANTICAPILLARE	m <sup>2</sup>	9.42
C BINDER	m <sup>2</sup>	0.56
D BASE	m <sup>2</sup>	1.86
MC MISTO CEMENTATO	m <sup>2</sup>	3.71
MS MISTO STABILIZZATO	m <sup>2</sup>	3.92
VR VEGETALE RIL	m <sup>2</sup>	1.74
a USURA	m	11.21
br BONIFICA	m	18.87
sc SCOTICO	m	18.87
tn TNT	m	18.86



PROGRESSIVE TERRENO

-39.00	-36.00	-33.00	-30.00	-27.00	-24.00	-21.00	-18.00	-15.00	-12.00	-9.00	-6.00	-3.00	0.00	3.00	6.00	9.00	12.00	15.00	18.00	21.00	24.00	27.00
--------	--------	--------	--------	--------	--------	--------	--------	--------	--------	-------	-------	-------	------	------	------	------	-------	-------	-------	-------	-------	-------

PARZIALI TERRENO

3.00	3.00	3.00	3.00	3.00	3.00	3.00	3.00	3.00	3.00	3.00	3.00	3.00	3.00	3.00	3.00	3.00	3.00	3.00	3.00	3.00	3.00	3.00
------	------	------	------	------	------	------	------	------	------	------	------	------	------	------	------	------	------	------	------	------	------	------

QUOTE TERRENO

211.18	211.17	211.17	211.19	211.15	210.97	210.84	210.70	210.58	210.45	210.32	210.19	210.07	209.96	209.86	209.76	209.66	209.54	209.41	209.28	209.15	209.01	208.91
--------	--------	--------	--------	--------	--------	--------	--------	--------	--------	--------	--------	--------	--------	--------	--------	--------	--------	--------	--------	--------	--------	--------

PROGRESSIVE PROGETTO

												-3.30	-0.70	0.00	3.75	7.50	10.50	11.75	16.09			
--	--	--	--	--	--	--	--	--	--	--	--	-------	-------	------	------	------	-------	-------	-------	--	--	--

PARZIALI PROGETTO

												2.60	0.70	3.75	3.75	3.00	1.25	4.34				
--	--	--	--	--	--	--	--	--	--	--	--	------	------	------	------	------	------	------	--	--	--	--

QUOTE PROGETTO

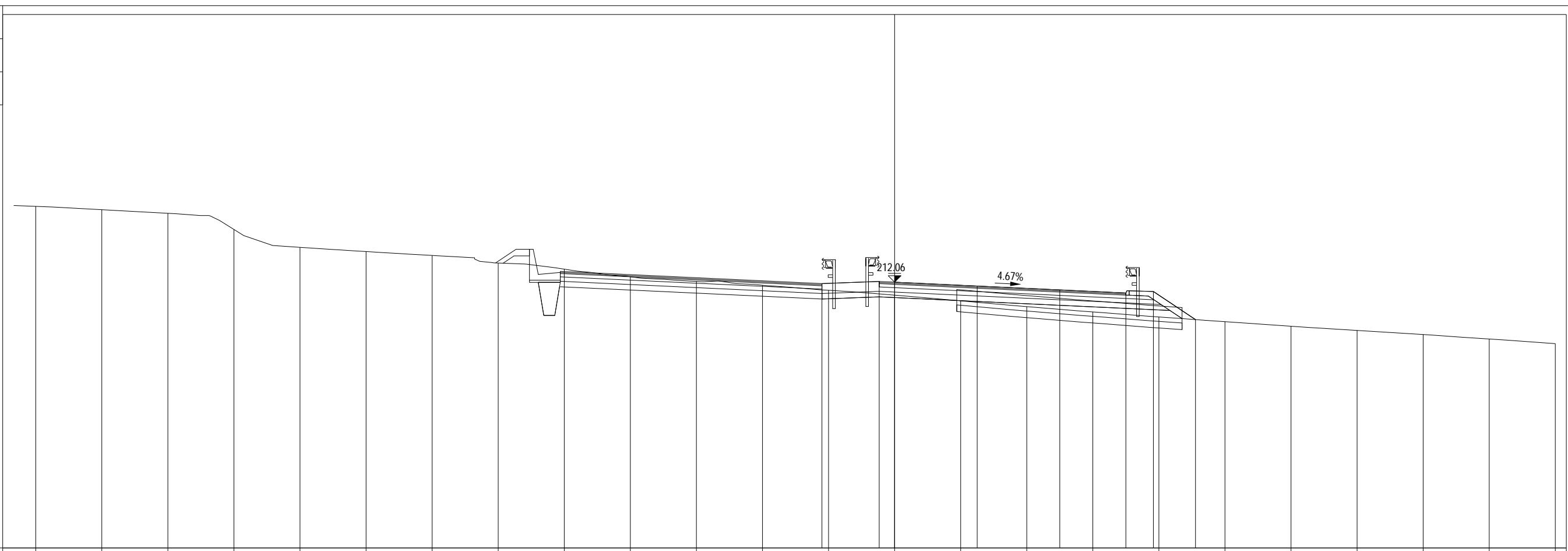
												212.62	212.71	212.68	212.51	212.33	212.19	212.26	209.36			
--	--	--	--	--	--	--	--	--	--	--	--	--------	--------	--------	--------	--------	--------	--------	--------	--	--	--

PROFILO 2.6a\_CUNEO

SEZIONE 225

PROGRESSIVA 4356.24

A RILEVATO	m <sup>2</sup>	1.86
AN ANTICAPILLARE	m <sup>2</sup>	5.15
B SCAVO	m <sup>2</sup>	0.99
C BINDER	m <sup>2</sup>	0.56
D BASE	m <sup>2</sup>	1.87
MC MISTO CEMENTATO	m <sup>2</sup>	3.71
MS MISTO STABILIZZATO	m <sup>2</sup>	3.91
VR VEGETALE RIL	m <sup>2</sup>	0.84
a USURA	m	11.21
br BONIFICA	m	10.31
sc SCOTICO	m	10.31
tn TNT	m	10.28



PROGRESSIVE TERRENO

-39.00	-36.00	-33.00	-30.00	-27.00	-24.00	-21.00	-18.00	-15.00	-12.00	-9.00	-6.00	-3.00	0.00	3.00	6.00	9.00	12.00	15.00	18.00	21.00	24.00	27.00	30.00
--------	--------	--------	--------	--------	--------	--------	--------	--------	--------	-------	-------	-------	------	------	------	------	-------	-------	-------	-------	-------	-------	-------

PARZIALI TERRENO

3.00	3.00	3.00	3.00	3.00	3.00	3.00	3.00	3.00	3.00	3.00	3.00	3.00	3.00	3.00	3.00	3.00	3.00	3.00	3.00	3.00	3.00	3.00	3.00
------	------	------	------	------	------	------	------	------	------	------	------	------	------	------	------	------	------	------	------	------	------	------	------

QUOTE TERRENO

215.50	215.34	215.18	214.45	213.64	213.45	213.27	212.93	212.65	212.30	212.09	211.92	211.69	211.47	211.21	210.95	210.71	210.48	210.26	210.06	209.87	209.68	209.48	209.27
--------	--------	--------	--------	--------	--------	--------	--------	--------	--------	--------	--------	--------	--------	--------	--------	--------	--------	--------	--------	--------	--------	--------	--------

PROGRESSIVE PROGETTO

												-3.30	-0.70	0.00		3.75	7.50	10.50	11.75	13.66			
--	--	--	--	--	--	--	--	--	--	--	--	-------	-------	------	--	------	------	-------	-------	-------	--	--	--

PARZIALI PROGETTO

												2.60	0.70	3.75	3.75	3.00	1.25	1.91					
--	--	--	--	--	--	--	--	--	--	--	--	------	------	------	------	------	------	------	--	--	--	--	--

QUOTE PROGETTO

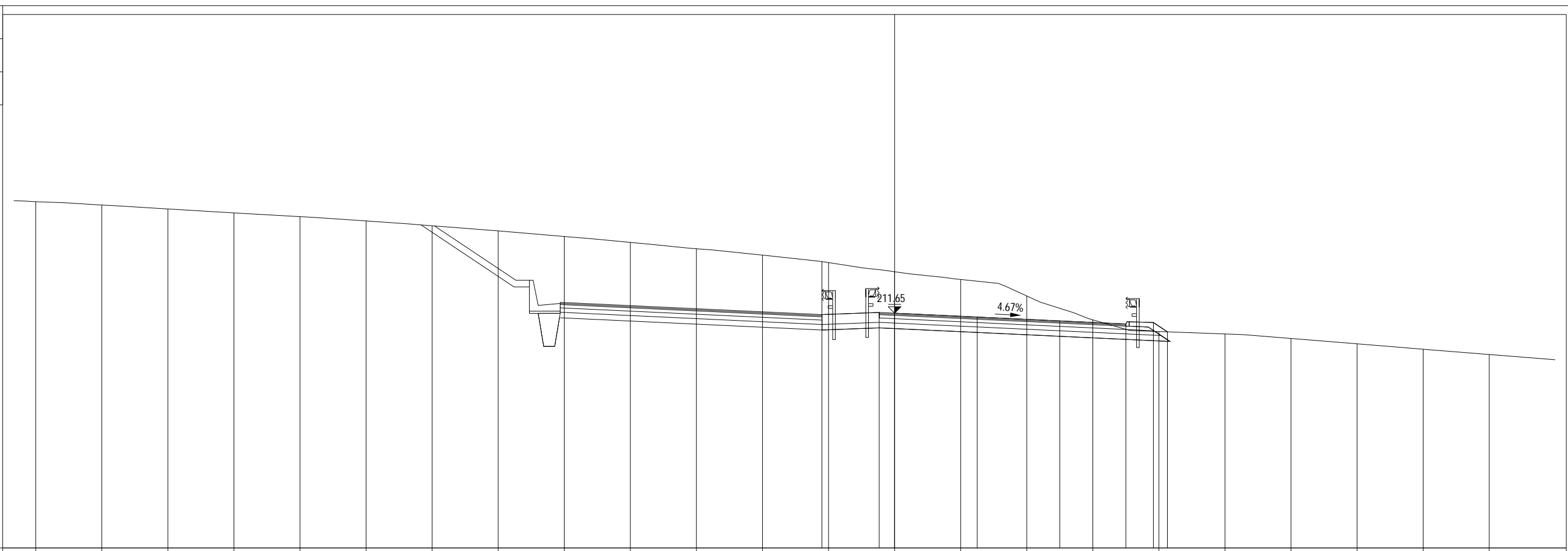
												211.99	212.09	212.06		211.88	211.71	211.57	211.63	210.36			
--	--	--	--	--	--	--	--	--	--	--	--	--------	--------	--------	--	--------	--------	--------	--------	--------	--	--	--

PROFILO 2.6a\_CUNEO

SEZIONE 226

PROGRESSIVA 4372.46

B SCAVO	m <sup>2</sup>	28.77
C BINDER	m <sup>2</sup>	0.56
D BASE	m <sup>2</sup>	1.87
MC MISTO CEMENTATO	m <sup>2</sup>	3.71
MS MISTO STABILIZZATO	m <sup>2</sup>	3.92
VR VEGETALE RIL	m <sup>2</sup>	0.38
a USURA	m	11.21



PROGRESSIVE TERRENO

-39.00	-36.00	-33.00	-30.00	-27.00	-24.00	-21.00	-18.00	-15.00	-12.00	-9.00	-6.00	-3.00	0.00	3.00	6.00	9.00	12.00	15.00	18.00	21.00	24.00	27.00
--------	--------	--------	--------	--------	--------	--------	--------	--------	--------	-------	-------	-------	------	------	------	------	-------	-------	-------	-------	-------	-------

PARZIALI TERRENO

3.00	3.00	3.00	3.00	3.00	3.00	3.00	3.00	3.00	3.00	3.00	3.00	3.00	3.00	3.00	3.00	3.00	3.00	3.00	3.00	3.00	3.00	3.00
------	------	------	------	------	------	------	------	------	------	------	------	------	------	------	------	------	------	------	------	------	------	------

QUOTE TERRENO

216.71	216.56	216.38	216.20	216.03	215.84	215.61	215.38	215.13	214.86	214.57	214.28	213.94	213.53	213.18	212.43	211.35	210.82	210.71	210.50	210.26	210.01	209.78
--------	--------	--------	--------	--------	--------	--------	--------	--------	--------	--------	--------	--------	--------	--------	--------	--------	--------	--------	--------	--------	--------	--------

PROGRESSIVE PROGETTO

												-3.30	-0.70	0.00								
--	--	--	--	--	--	--	--	--	--	--	--	-------	-------	------	--	--	--	--	--	--	--	--

PARZIALI PROGETTO

												2.60	0.70	3.75	3.75	3.00	1.25	0.64				
--	--	--	--	--	--	--	--	--	--	--	--	------	------	------	------	------	------	------	--	--	--	--

QUOTE PROGETTO

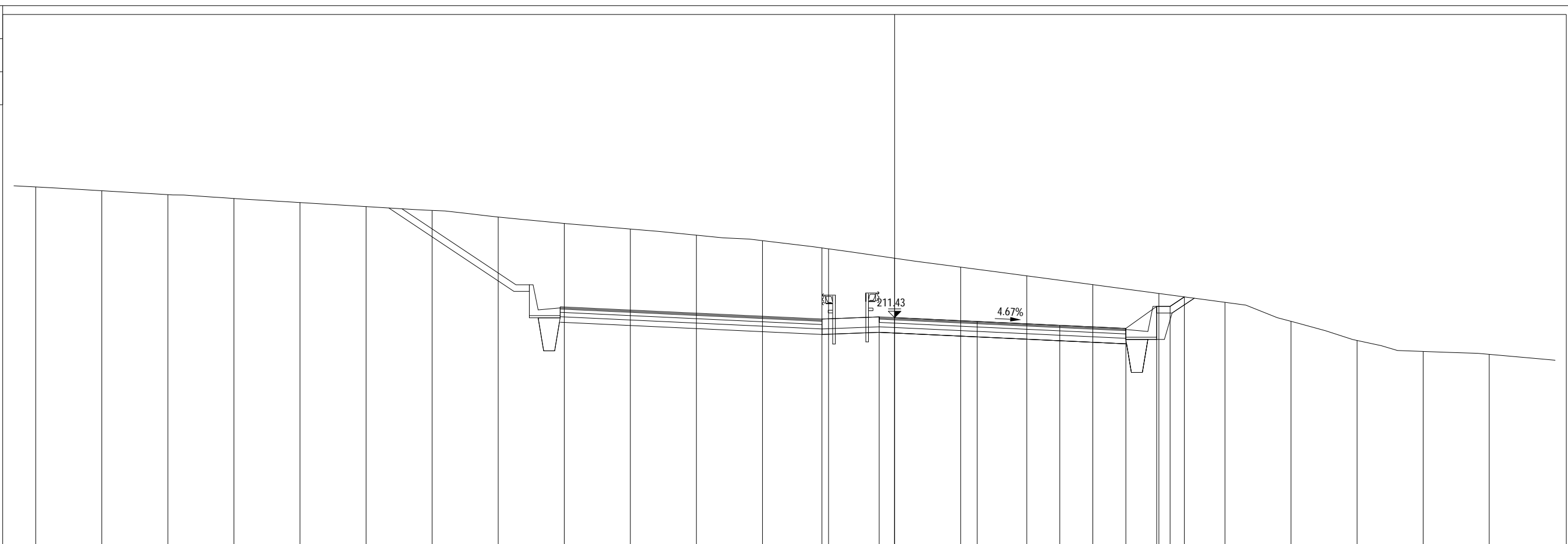
												211.59	211.68	211.65		211.30	211.16	211.23	210.80			
--	--	--	--	--	--	--	--	--	--	--	--	--------	--------	--------	--	--------	--------	--------	--------	--	--	--

PROFILO 2.6a\_CUNEO

SEZIONE 227

PROGRESSIVA 4381.15

B SCAVO	m <sup>2</sup>	48.72
C BINDER	m <sup>2</sup>	0.56
D BASE	m <sup>2</sup>	1.68
MC MISTO CEMENTATO	m <sup>2</sup>	3.41
MS MISTO STABILIZZATO	m <sup>2</sup>	4.58
VT VEGETALE TRINCEA	m <sup>2</sup>	0.49
a USURA	m	11.21



201  
200

PROGRESSIVE TERRENO

-39.00	-36.00	-33.00	-30.00	-27.00	-24.00	-21.00	-18.00	-15.00	-12.00	-9.00	-6.00	-3.00	0.00	3.00	6.00	9.00	12.00	15.00	18.00	21.00	24.00	27.00
--------	--------	--------	--------	--------	--------	--------	--------	--------	--------	-------	-------	-------	------	------	------	------	-------	-------	-------	-------	-------	-------

PARZIALI TERRENO

3.00	3.00	3.00	3.00	3.00	3.00	3.00	3.00	3.00	3.00	3.00	3.00	3.00	3.00	3.00	3.00	3.00	3.00	3.00	3.00	3.00	3.00	3.00
------	------	------	------	------	------	------	------	------	------	------	------	------	------	------	------	------	------	------	------	------	------	------

QUOTE TERRENO

217.37	217.20	217.02	216.84	216.66	216.47	216.30	216.00	215.71	215.46	215.18	214.93	214.56	214.13	213.73	213.33	212.93	212.53	212.13	211.73	211.33	210.93	209.76
--------	--------	--------	--------	--------	--------	--------	--------	--------	--------	--------	--------	--------	--------	--------	--------	--------	--------	--------	--------	--------	--------	--------

PROGRESSIVE PROGETTO

												-3.30	-0.70	0.00	3.75	7.50	10.50	11.90	12.51	13.16		
--	--	--	--	--	--	--	--	--	--	--	--	-------	-------	------	------	------	-------	-------	-------	-------	--	--

PARZIALI PROGETTO

												2.60	0.70	3.75	3.75	3.00	1.40	0.61	0.65			
--	--	--	--	--	--	--	--	--	--	--	--	------	------	------	------	------	------	------	------	--	--	--

QUOTE PROGETTO

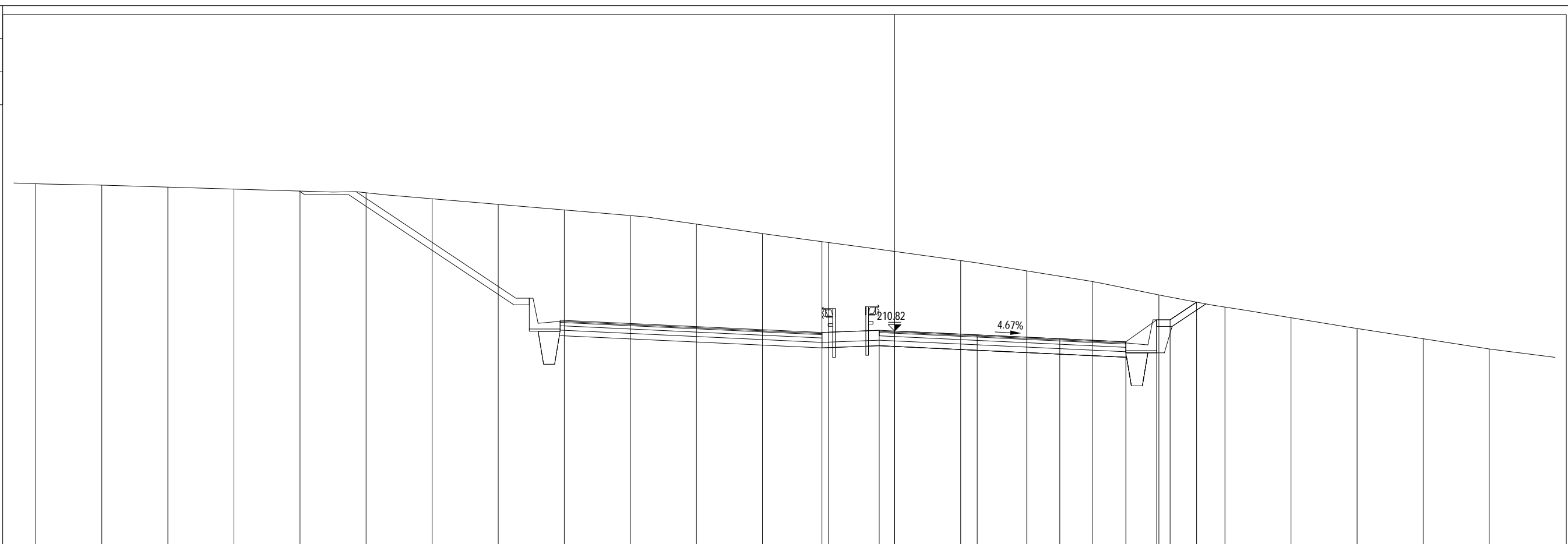
												211.37	211.47	211.43	211.26	211.08	210.94	211.94	211.94	212.37		
--	--	--	--	--	--	--	--	--	--	--	--	--------	--------	--------	--------	--------	--------	--------	--------	--------	--	--

PROFILO 2.6a\_CUNEO

SEZIONE 228

PROGRESSIVA 4406.05

B SCAVO	m <sup>2</sup>	62.35
C BINDER	m <sup>2</sup>	0.56
D BASE	m <sup>2</sup>	1.68
MC MISTO CEMENTATO	m <sup>2</sup>	3.41
MS MISTO STABILIZZATO	m <sup>2</sup>	4.57
VT VEGETALE TRINCEA	m <sup>2</sup>	0.69
a USURA	m	11.21



201  
200

PROGRESSIVE TERRENO

-39.00	-36.00	-33.00	-30.00	-27.00	-24.00	-21.00	-18.00	-15.00	-12.00	-9.00	-6.00	-3.00	0.00	3.00	6.00	9.00	12.00	15.00	18.00	21.00	24.00	27.00
--------	--------	--------	--------	--------	--------	--------	--------	--------	--------	-------	-------	-------	------	------	------	------	-------	-------	-------	-------	-------	-------

PARZIALI TERRENO

3.00	3.00	3.00	3.00	3.00	3.00	3.00	3.00	3.00	3.00	3.00	3.00	3.00	3.00	3.00	3.00	3.00	3.00	3.00	3.00	3.00	3.00	3.00
------	------	------	------	------	------	------	------	------	------	------	------	------	------	------	------	------	------	------	------	------	------	------

QUOTE TERRENO

217.51	217.45	217.36	217.27	217.18	217.10	216.83	216.58	216.32	216.07	215.68	215.25	214.84	214.44	214.02	213.56	213.07	212.46	211.91	211.43	210.94	210.47	210.01
--------	--------	--------	--------	--------	--------	--------	--------	--------	--------	--------	--------	--------	--------	--------	--------	--------	--------	--------	--------	--------	--------	--------

PROGRESSIVE PROGETTO

												-3.30	-0.70	0.00	3.75	7.50	10.50	11.90	12.51	13.71		
--	--	--	--	--	--	--	--	--	--	--	--	-------	-------	------	------	------	-------	-------	-------	-------	--	--

PARZIALI PROGETTO

												2.60	0.70	3.75	3.75	3.00	1.40	0.61	1.20		
--	--	--	--	--	--	--	--	--	--	--	--	------	------	------	------	------	------	------	------	--	--

QUOTE PROGETTO

												210.76	210.86	210.82	210.65	210.47	210.33	211.33	211.33	212.14		
--	--	--	--	--	--	--	--	--	--	--	--	--------	--------	--------	--------	--------	--------	--------	--------	--------	--	--

PROFILO 2.6a\_CUNEO

SEZIONE 229

PROGRESSIVA 4436.28

B SCAVO	m <sup>2</sup>	44.87
C BINDER	m <sup>2</sup>	0.56
D BASE	m <sup>2</sup>	1.68
MC MISTO CEMENTATO	m <sup>2</sup>	3.41
MS MISTO STABILIZZATO	m <sup>2</sup>	4.59
VT VEGETALE TRINCEA	m <sup>2</sup>	0.51
a USURA	m	11.21



199

200

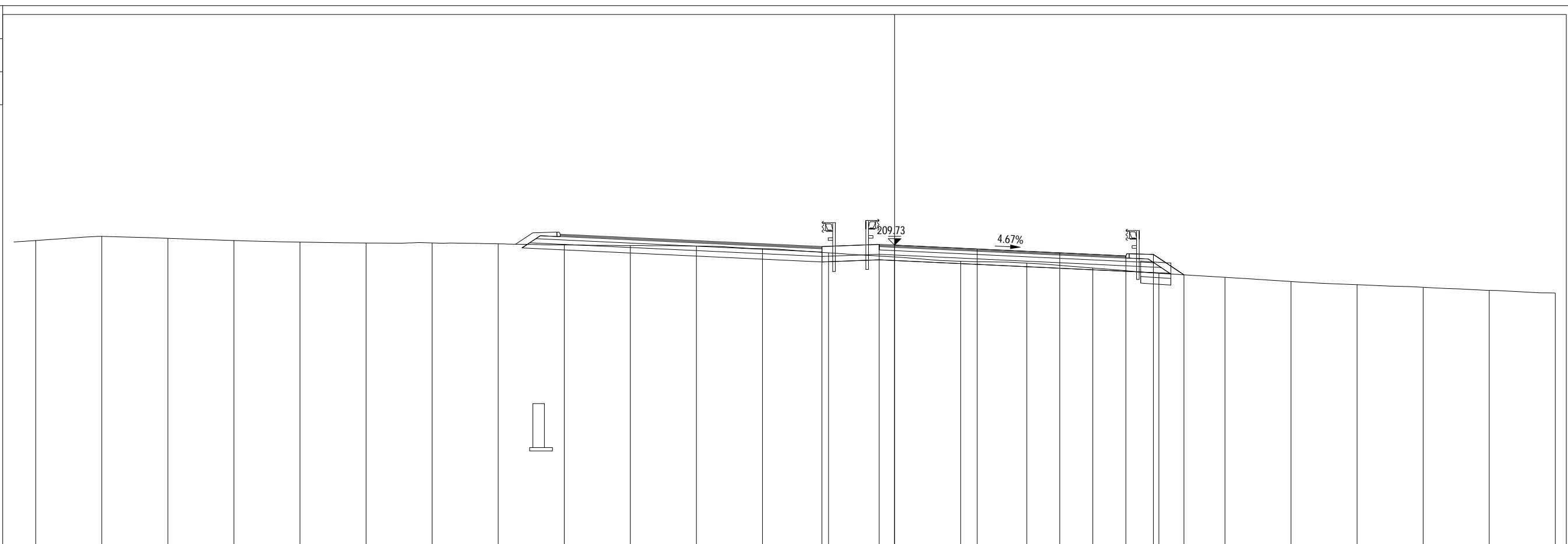
PROGRESSIVE TERRENO	-39.00	-36.00	-33.00	-30.00	-27.00	-24.00	-21.00	-18.00	-15.00	-12.00	-9.00	-6.00	-3.00	0.00	3.00	6.00	9.00	12.00	15.00	18.00	21.00	24.00	27.00
PARZIALI TERRENO		3.00	3.00	3.00	3.00	3.00	3.00	3.00	3.00	3.00	3.00	3.00	3.00	3.00	3.00	3.00	3.00	3.00	3.00	3.00	3.00	3.00	3.00
QUOTE TERRENO	214.53	214.63	214.71	214.69	214.58	214.50	214.45	214.39	214.16	213.89	213.58	213.25	212.90	212.51	212.13	211.81	211.53	211.25	210.90	210.47	209.99	209.61	209.23
PROGRESSIVE PROGETTO													-3.30	-0.70	0.00	3.75	7.50	10.50	11.90	12.51	13.19		
PARZIALI PROGETTO													2.60	0.70	3.75	3.75	3.00	1.40	0.61	0.68			
QUOTE PROGETTO													210.10	210.20	210.17	209.99	209.81	209.67	210.67	210.67	211.13		

PROFILO 2.6a\_CUNEO

SEZIONE 230

PROGRESSIVA 4459.23

A RILEVATO	m <sup>2</sup>	0.02
AN ANTICAPILLARE	m <sup>2</sup>	0.72
B SCAVO	m <sup>2</sup>	2.13
C BINDER	m <sup>2</sup>	0.56
D BASE	m <sup>2</sup>	1.87
MC MISTO CEMENTATO	m <sup>2</sup>	3.70
MS MISTO STABILIZZATO	m <sup>2</sup>	3.92
VR VEGETALE RIL	m <sup>2</sup>	0.65
a USURA	m	11.21
br BONIFICA	m	1.43
sc SCOTICO	m	1.43
tn TNT	m	1.43



PROGRESSIVE TERRENO

-39.00	-36.00	-33.00	-30.00	-27.00	-24.00	-21.00	-18.00	-15.00	-12.00	-9.00	-6.00	-3.00	0.00	3.00	6.00	9.00	12.00	15.00	18.00	21.00	24.00	27.00	30.00
--------	--------	--------	--------	--------	--------	--------	--------	--------	--------	-------	-------	-------	------	------	------	------	-------	-------	-------	-------	-------	-------	-------

PARZIALI TERRENO

3.00	3.00	3.00	3.00	3.00	3.00	3.00	3.00	3.00	3.00	3.00	3.00	3.00	3.00	3.00	3.00	3.00	3.00	3.00	3.00	3.00	3.00	3.00	3.00
------	------	------	------	------	------	------	------	------	------	------	------	------	------	------	------	------	------	------	------	------	------	------	------

QUOTE TERRENO

209.93	210.12	210.03	209.93	209.86	209.82	209.82	209.78	209.73	209.70	209.68	209.57	209.38	209.19	208.99	208.91	208.69	208.45	208.26	208.07	207.93	207.81	207.67	207.55
--------	--------	--------	--------	--------	--------	--------	--------	--------	--------	--------	--------	--------	--------	--------	--------	--------	--------	--------	--------	--------	--------	--------	--------

PROGRESSIVE PROGETTO

												-3.30	-0.70	0.00	3.75	7.50	10.50	11.75	13.14				
--	--	--	--	--	--	--	--	--	--	--	--	-------	-------	------	------	------	-------	-------	-------	--	--	--	--

PARZIALI PROGETTO

												2.60	0.70	3.75	3.75	3.00	1.25	1.39					
--	--	--	--	--	--	--	--	--	--	--	--	------	------	------	------	------	------	------	--	--	--	--	--

QUOTE PROGETTO

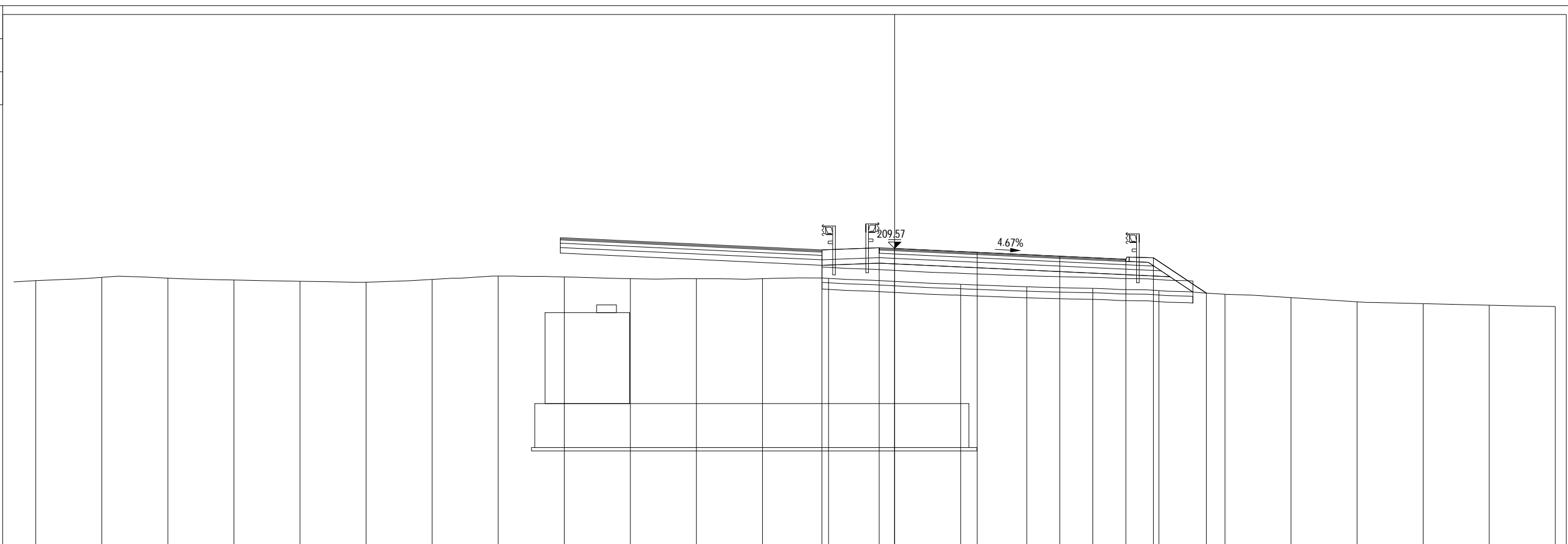
												209.66	209.76	209.73	209.55	209.38	209.24	209.30	208.38				
--	--	--	--	--	--	--	--	--	--	--	--	--------	--------	--------	--------	--------	--------	--------	--------	--	--	--	--

PROFILO 2.6a\_CUNEO

SEZIONE 231

PROGRESSIVA 4467.91

A RILEVATO	m <sup>2</sup>	12.01
AN ANTICAPILLARE	m <sup>2</sup>	8.44
C BINDER	m <sup>2</sup>	0.56
D BASE	m <sup>2</sup>	1.87
MC MISTO CEMENTATO	m <sup>2</sup>	3.70
MS MISTO STABILIZZATO	m <sup>2</sup>	3.91
VR VEGETALE RIL	m <sup>2</sup>	1.01
a USURA	m	11.21
br BONIFICA	m	16.90
sc SCOTICO	m	16.90
tn TNT	m	16.90



PROGRESSIVE TERRENO

-39.00	-36.00	-33.00	-30.00	-27.00	-24.00	-21.00	-18.00	-15.00	-12.00	-9.00	-6.00	-3.00	0.00	3.00	6.00	9.00	12.00	15.00	18.00	21.00	24.00	27.00	30.00
--------	--------	--------	--------	--------	--------	--------	--------	--------	--------	-------	-------	-------	------	------	------	------	-------	-------	-------	-------	-------	-------	-------

PARZIALI TERRENO

3.00	3.00	3.00	3.00	3.00	3.00	3.00	3.00	3.00	3.00	3.00	3.00	3.00	3.00	3.00	3.00	3.00	3.00	3.00	3.00	3.00	3.00	3.00	3.00
------	------	------	------	------	------	------	------	------	------	------	------	------	------	------	------	------	------	------	------	------	------	------	------

QUOTE TERRENO

208.11	208.26	208.23	208.14	208.08	208.04	208.17	208.32	208.28	208.20	208.20	208.20	208.22	208.08	207.95	207.83	207.76	207.66	207.49	207.34	207.15	207.07	207.00	206.94
--------	--------	--------	--------	--------	--------	--------	--------	--------	--------	--------	--------	--------	--------	--------	--------	--------	--------	--------	--------	--------	--------	--------	--------

PROGRESSIVE PROGETTO

												-3.30	-0.70	0.00										
--	--	--	--	--	--	--	--	--	--	--	--	-------	-------	------	--	--	--	--	--	--	--	--	--	--

PARZIALI PROGETTO

												2.60	0.70	3.75	3.75	3.00	1.25	2.41					
--	--	--	--	--	--	--	--	--	--	--	--	------	------	------	------	------	------	------	--	--	--	--	--

QUOTE PROGETTO

												209.51	209.61	209.57	209.40	209.22	209.08	209.15	207.55				
--	--	--	--	--	--	--	--	--	--	--	--	--------	--------	--------	--------	--------	--------	--------	--------	--	--	--	--

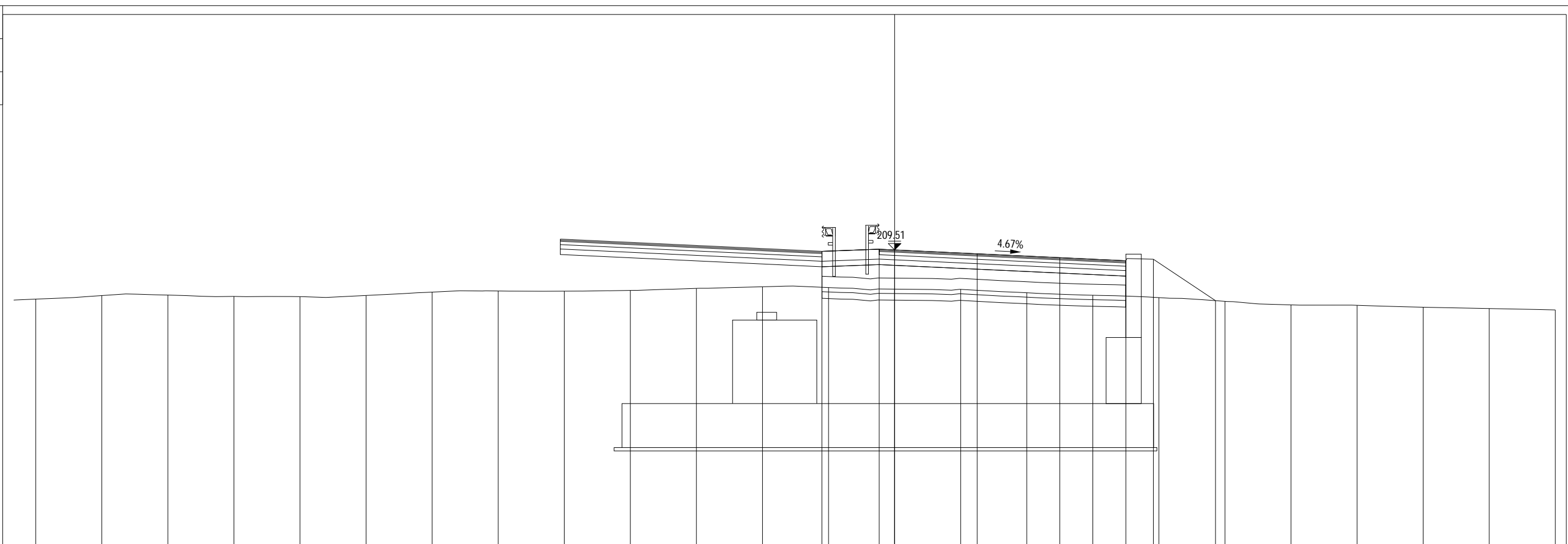


PROFILO 2.6a\_CUNEO

SEZIONE 232

PROGRESSIVA 4471.79

A RILEVATO	m <sup>2</sup>	13.68
AN ANTICAPILLARE	m <sup>2</sup>	6.88
C BINDER	m <sup>2</sup>	0.56
D BASE	m <sup>2</sup>	1.68
MC MISTO CEMENTATO	m <sup>2</sup>	3.41
MS MISTO STABILIZZATO	m <sup>2</sup>	3.45
a USURA	m	11.21
br BONIFICA	m	13.80
sc SCOTICO	m	13.80
tn TNT	m	13.80



PROGRESSIVE TERRENO

-39.00	-36.00	-33.00	-30.00	-27.00	-24.00	-21.00	-18.00	-15.00	-12.00	-9.00	-6.00	-3.00	0.00	3.00	6.00	9.00	12.00	15.00	18.00	21.00	24.00	27.00	30.00
--------	--------	--------	--------	--------	--------	--------	--------	--------	--------	-------	-------	-------	------	------	------	------	-------	-------	-------	-------	-------	-------	-------

PARZIALI TERRENO

3.00	3.00	3.00	3.00	3.00	3.00	3.00	3.00	3.00	3.00	3.00	3.00	3.00	3.00	3.00	3.00	3.00	3.00	3.00	3.00	3.00	3.00	3.00	3.00
------	------	------	------	------	------	------	------	------	------	------	------	------	------	------	------	------	------	------	------	------	------	------	------

QUOTE TERRENO

207.27	207.43	207.46	207.40	207.39	207.44	207.59	207.64	207.63	207.67	207.76	207.83	207.80	207.73	207.72	207.56	207.45	207.34	207.17	207.01	206.99	206.91	206.85	206.78
--------	--------	--------	--------	--------	--------	--------	--------	--------	--------	--------	--------	--------	--------	--------	--------	--------	--------	--------	--------	--------	--------	--------	--------

PROGRESSIVE PROGETTO

												-3.30	-0.70	0.00		3.75	7.50	10.50	11.75	14.57			
--	--	--	--	--	--	--	--	--	--	--	--	-------	-------	------	--	------	------	-------	-------	-------	--	--	--

PARZIALI PROGETTO

												2.60	0.70	3.75	3.75	3.00	1.25	2.82					
--	--	--	--	--	--	--	--	--	--	--	--	------	------	------	------	------	------	------	--	--	--	--	--

QUOTE PROGETTO

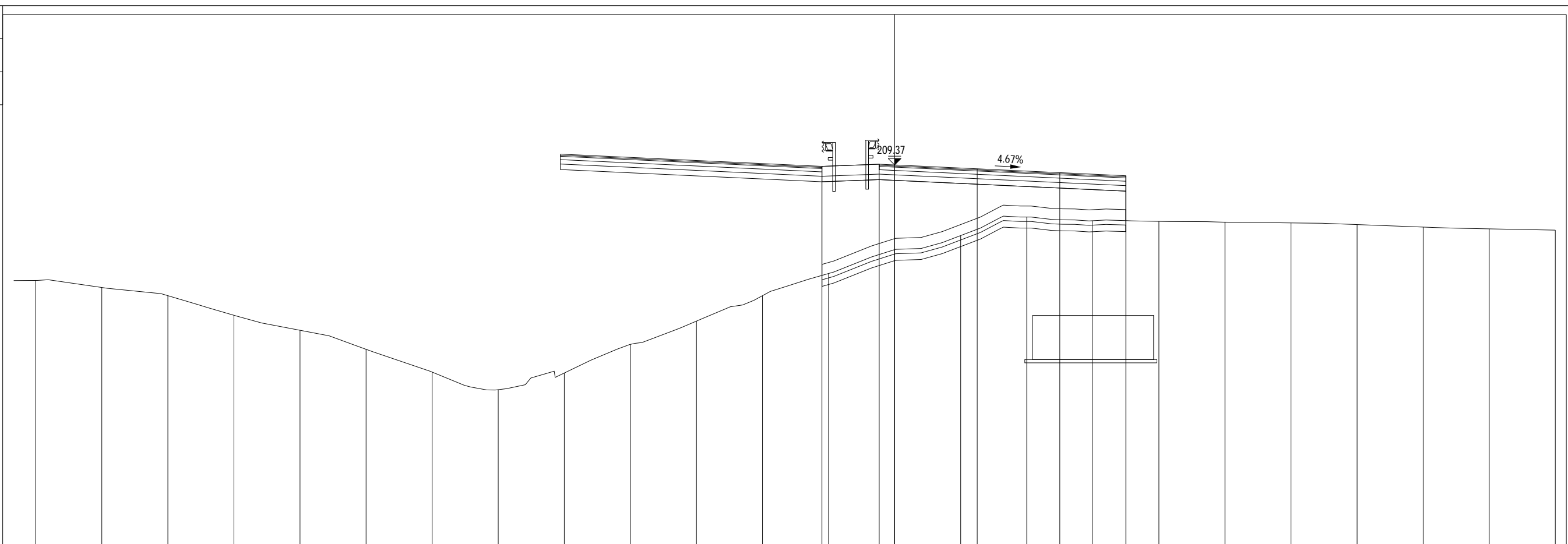
												209.44	209.54	209.51		209.33	209.16	209.02	209.08	207.20			
--	--	--	--	--	--	--	--	--	--	--	--	--------	--------	--------	--	--------	--------	--------	--------	--------	--	--	--

PROFILO 2.6a\_CUNEO

SEZIONE 233

PROGRESSIVA 4480.43

A RILEVATO	m <sup>2</sup>	32.39
AN ANTICAPILLARE	m <sup>2</sup>	6.93
C BINDER	m <sup>2</sup>	0.56
D BASE	m <sup>2</sup>	1.68
MC MISTO CEMENTATO	m <sup>2</sup>	3.41
MS MISTO STABILIZZATO	m <sup>2</sup>	3.45
a USURA	m	11.21
br BONIFICA	m	14.31
sc SCOTICO	m	14.31
tn TNT	m	13.80



PROGRESSIVE TERRENO

-39.00	-36.00	-33.00	-30.00	-27.00	-24.00	-21.00	-18.00	-15.00	-12.00	-9.00	-6.00	-3.00	0.00	3.00	6.00	9.00	12.00	15.00	18.00	21.00	24.00	27.00	30.00
--------	--------	--------	--------	--------	--------	--------	--------	--------	--------	-------	-------	-------	------	------	------	------	-------	-------	-------	-------	-------	-------	-------

PARZIALI TERRENO

3.00	3.00	3.00	3.00	3.00	3.00	3.00	3.00	3.00	3.00	3.00	3.00	3.00	3.00	3.00	3.00	3.00	3.00	3.00	3.00	3.00	3.00	3.00	3.00
------	------	------	------	------	------	------	------	------	------	------	------	------	------	------	------	------	------	------	------	------	------	------	------

QUOTE TERRENO

204.12	203.80	203.43	202.54	201.86	200.99	199.96	199.16	199.92	201.22	202.27	203.43	204.44	205.52	206.16	207.00	206.83	206.81	206.77	206.73	206.66	206.54	206.46	206.41
--------	--------	--------	--------	--------	--------	--------	--------	--------	--------	--------	--------	--------	--------	--------	--------	--------	--------	--------	--------	--------	--------	--------	--------

PROGRESSIVE PROGETTO

												-3.30	-0.70	0.00	3.75	7.50	10.50						
--	--	--	--	--	--	--	--	--	--	--	--	-------	-------	------	------	------	-------	--	--	--	--	--	--

PARZIALI PROGETTO

												2.60	0.70	3.75	3.75	3.00							
--	--	--	--	--	--	--	--	--	--	--	--	------	------	------	------	------	--	--	--	--	--	--	--

QUOTE PROGETTO

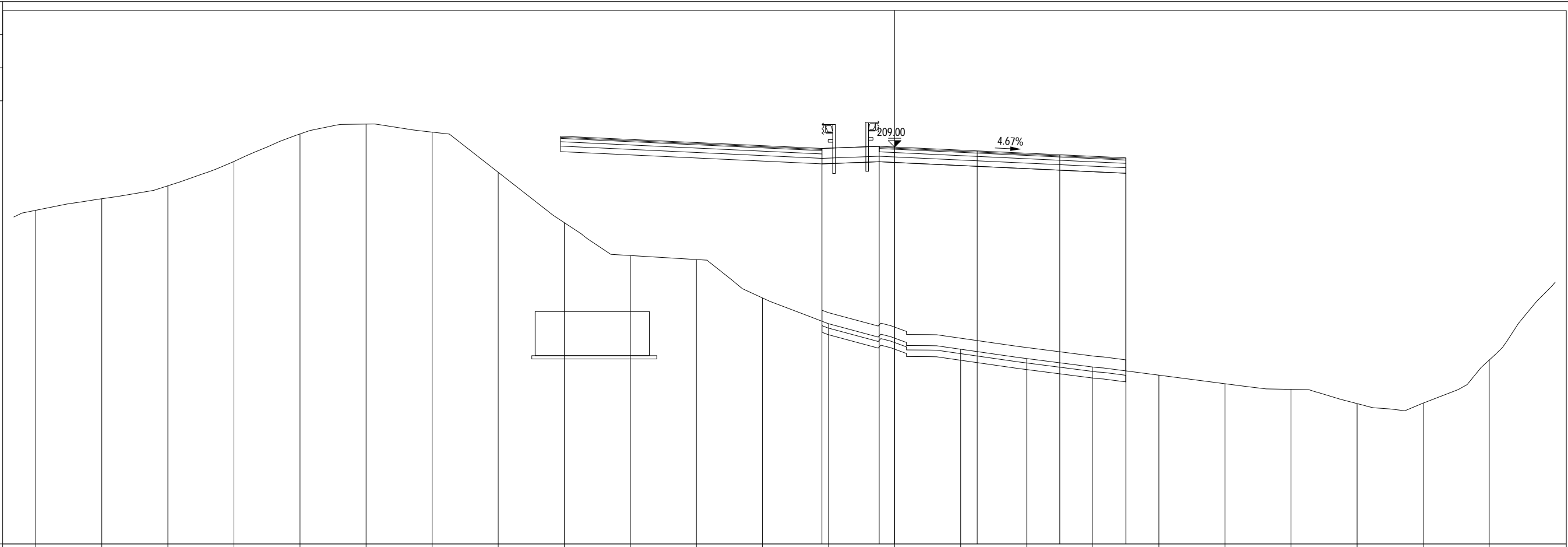
												209.30	209.40	209.37	209.19	209.02	208.88						
--	--	--	--	--	--	--	--	--	--	--	--	--------	--------	--------	--------	--------	--------	--	--	--	--	--	--

PROFILO 2.6a\_CUNEO

SEZIONE 234

PROGRESSIVA 4505.34

A RILEVATO	m <sup>2</sup>	114.89
AN ANTICAPILLARE	m <sup>2</sup>	6.90
C BINDER	m <sup>2</sup>	0.56
D BASE	m <sup>2</sup>	1.68
MC MISTO CEMENTATO	m <sup>2</sup>	3.41
MS MISTO STABILIZZATO	m <sup>2</sup>	3.45
a USURA	m	11.21
br BONIFICA	m	14.21
sc SCOTICO	m	14.21
tn TNT	m	13.80



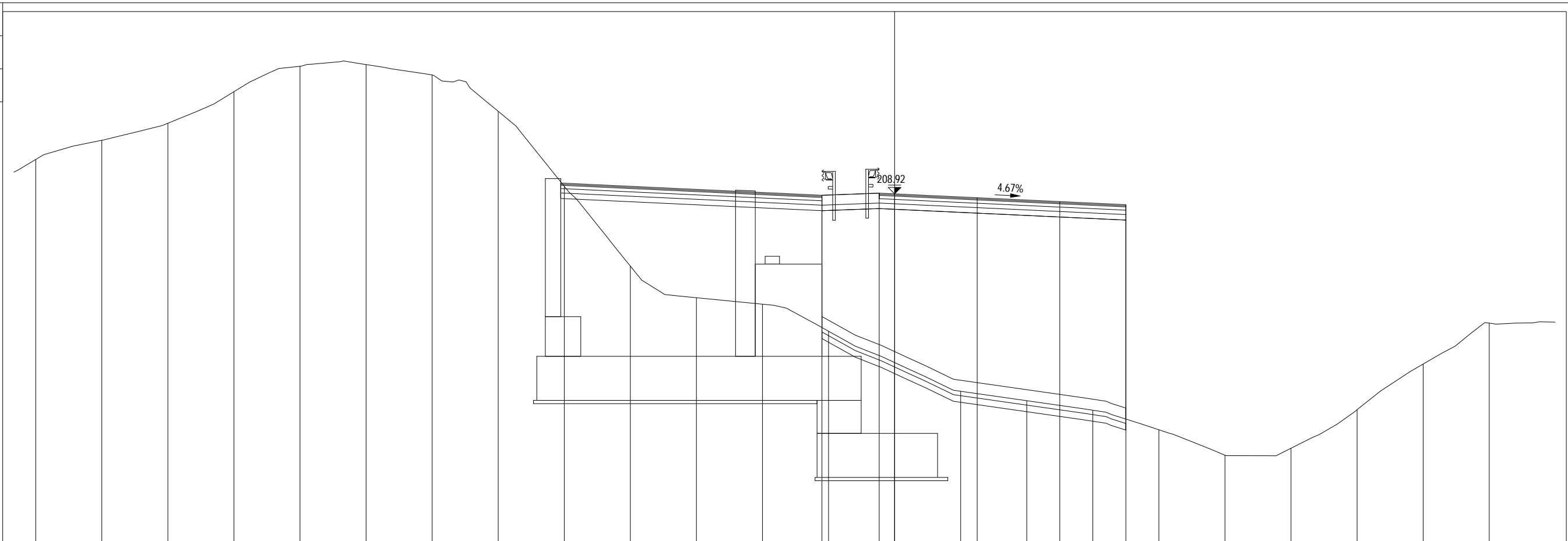
PROGRESSIVE TERRENO	-39.00	-36.00	-33.00	-30.00	-27.00	-24.00	-21.00	-18.00	-15.00	-12.00	-9.00	-6.00	-3.00	0.00	3.00	6.00	9.00	12.00	15.00	18.00	21.00	24.00	27.00
PARZIALI TERRENO		3.00	3.00	3.00	3.00	3.00	3.00	3.00	3.00	3.00	3.00	3.00	3.00	3.00	3.00	3.00	3.00	3.00	3.00	3.00	3.00	3.00	3.00
QUOTE TERRENO	206.13	206.66	207.24	208.35	209.60	210.04	209.68	207.86	205.57	204.08	203.90	202.16	200.99	200.34	199.83	199.41	199.02	198.66	198.27	198.01	197.37	197.39	199.34
PROGRESSIVE PROGETTO													-3.30	-0.70	0.00	3.75	7.50	10.50					
PARZIALI PROGETTO													2.60	0.70	3.75	3.75	3.00						
QUOTE PROGETTO													208.94	209.04	209.00	208.83	208.65	208.51					

PROFILO 2.6a\_CUNEO

SEZIONE 235

PROGRESSIVA 4511.81

A RILEVATO	m <sup>2</sup>	106.98
AN ANTICAPILLARE	m <sup>2</sup>	6.88
C BINDER	m <sup>2</sup>	0.56
D BASE	m <sup>2</sup>	1.68
MC MISTO CEMENTATO	m <sup>2</sup>	3.41
MS MISTO STABILIZZATO	m <sup>2</sup>	3.45
a USURA	m	11.21
br BONIFICA	m	14.58
sc SCOTICO	m	14.58
tn TNT	m	13.80



PROGRESSIVE TERRENO

-39.00	-36.00	-33.00	-30.00	-27.00	-24.00	-21.00	-18.00	-15.00	-12.00	-9.00	-6.00	-3.00	0.00	3.00	6.00	9.00	12.00	15.00	18.00	21.00	24.00	27.00
--------	--------	--------	--------	--------	--------	--------	--------	--------	--------	-------	-------	-------	------	------	------	------	-------	-------	-------	-------	-------	-------

PARZIALI TERRENO

3.00	3.00	3.00	3.00	3.00	3.00	3.00	3.00	3.00	3.00	3.00	3.00	3.00	3.00	3.00	3.00	3.00	3.00	3.00	3.00	3.00	3.00	3.00
------	------	------	------	------	------	------	------	------	------	------	------	------	------	------	------	------	------	------	------	------	------	------

QUOTE TERRENO

210.48	211.35	212.13	213.56	214.71	214.79	214.32	212.67	209.26	205.64	204.20	203.91	202.68	201.26	199.95	199.52	199.09	198.20	197.05	197.37	199.12	201.19	203.05
--------	--------	--------	--------	--------	--------	--------	--------	--------	--------	--------	--------	--------	--------	--------	--------	--------	--------	--------	--------	--------	--------	--------

PROGRESSIVE PROGETTO

												-3.30	-0.70	0.00	3.75	7.50	10.50					
--	--	--	--	--	--	--	--	--	--	--	--	-------	-------	------	------	------	-------	--	--	--	--	--

PARZIALI PROGETTO

												2.60	0.70	3.75	3.75	3.00						
--	--	--	--	--	--	--	--	--	--	--	--	------	------	------	------	------	--	--	--	--	--	--

QUOTE PROGETTO

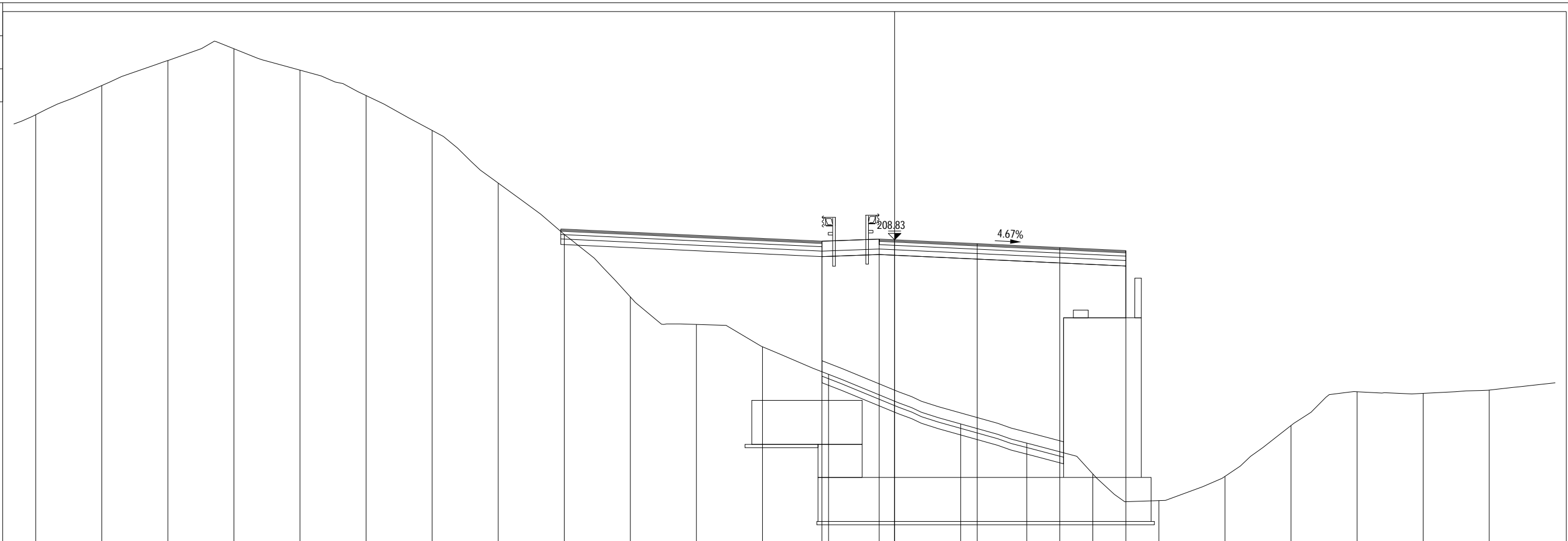
												208.86	208.95	208.92	208.74	208.57	208.43					
--	--	--	--	--	--	--	--	--	--	--	--	--------	--------	--------	--------	--------	--------	--	--	--	--	--

PROFILO 2.6a\_CUNEO

SEZIONE 236

PROGRESSIVA 4518.86

A RILEVATO	m <sup>2</sup>	85.53
AN ANTICAPILLARE	m <sup>2</sup>	5.48
C BINDER	m <sup>2</sup>	0.56
D BASE	m <sup>2</sup>	1.68
MC MISTO CEMENTATO	m <sup>2</sup>	3.41
MS MISTO STABILIZZATO	m <sup>2</sup>	3.45
a USURA	m	11.21
br BONIFICA	m	11.60
sc SCOTICO	m	11.60
tn TNT	m	10.97



PROGRESSIVE TERRENO

-39.00	-36.00	-33.00	-30.00	-27.00	-24.00	-21.00	-18.00	-15.00	-12.00	-9.00	-6.00	-3.00	0.00	3.00	6.00	9.00	12.00	15.00	18.00	21.00	24.00	27.00
--------	--------	--------	--------	--------	--------	--------	--------	--------	--------	-------	-------	-------	------	------	------	------	-------	-------	-------	-------	-------	-------

PARZIALI TERRENO

3.00	3.00	3.00	3.00	3.00	3.00	3.00	3.00	3.00	3.00	3.00	3.00	3.00	3.00	3.00	3.00	3.00	3.00	3.00	3.00	3.00	3.00	3.00
------	------	------	------	------	------	------	------	------	------	------	------	------	------	------	------	------	------	------	------	------	------	------

QUOTE TERRENO

214.51	215.84	216.98	217.51	216.54	215.39	213.80	211.41	209.08	206.24	204.99	203.97	202.72	201.50	200.47	199.60	198.20	196.99	198.09	200.40	201.93	201.86	202.01
--------	--------	--------	--------	--------	--------	--------	--------	--------	--------	--------	--------	--------	--------	--------	--------	--------	--------	--------	--------	--------	--------	--------

PROGRESSIVE PROGETTO

												-3.30	-0.70	0.00		3.75	7.50	10.50				
--	--	--	--	--	--	--	--	--	--	--	--	-------	-------	------	--	------	------	-------	--	--	--	--

PARZIALI PROGETTO

												2.60	0.70	3.75	3.75	3.00						
--	--	--	--	--	--	--	--	--	--	--	--	------	------	------	------	------	--	--	--	--	--	--

QUOTE PROGETTO

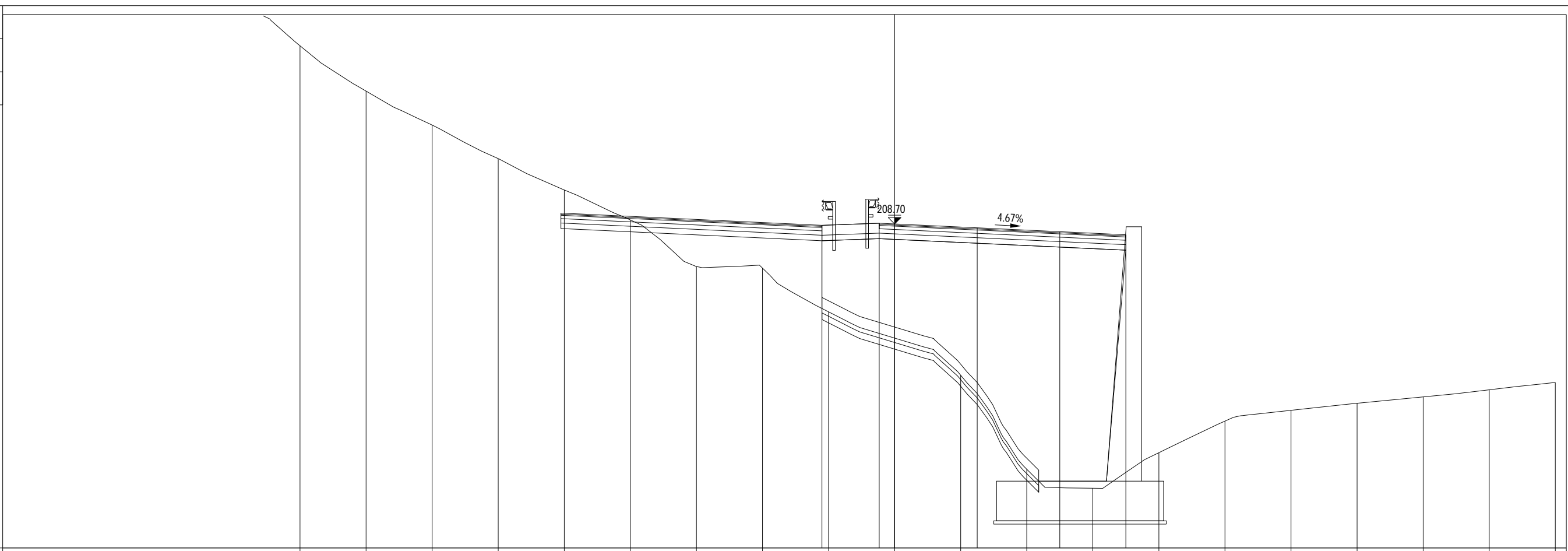
												208.77	208.86	208.83		208.66	208.48	208.34				
--	--	--	--	--	--	--	--	--	--	--	--	--------	--------	--------	--	--------	--------	--------	--	--	--	--

PROFILO 2.6a\_CUNEO

SEZIONE 237

PROGRESSIVA 4530.59

A RILEVATO	m <sup>2</sup>	94.80
AN ANTICAPILLARE	m <sup>2</sup>	4.92
C BINDER	m <sup>2</sup>	0.56
D BASE	m <sup>2</sup>	1.68
MC MISTO CEMENTATO	m <sup>2</sup>	3.41
MS MISTO STABILIZZATO	m <sup>2</sup>	3.45
a USURA	m	11.21
br BONIFICA	m	13.14
sc SCOTICO	m	13.14
tn TNT	m	9.84



PROGRESSIVE TERRENO

-27.00	-24.00	-21.00	-18.00	-15.00	-12.00	-9.00	-6.00	-3.00	0.00	3.00	6.00	9.00	12.00	15.00	18.00	21.00	24.00	27.00	30.00
--------	--------	--------	--------	--------	--------	-------	-------	-------	------	------	------	------	-------	-------	-------	-------	-------	-------	-------

PARZIALI TERRENO

3.00	3.00	3.00	3.00	3.00	3.00	3.00	3.00	3.00	3.00	3.00	3.00	3.00	3.00	3.00	3.00	3.00	3.00	3.00	3.00
------	------	------	------	------	------	------	------	------	------	------	------	------	------	------	------	------	------	------	------

QUOTE TERRENO

216.78	214.72	213.19	211.66	210.24	208.88	206.77	206.69	204.71	203.52	201.83	197.57	196.71	198.32	199.75	200.24	200.56	200.85	201.17	201.51
--------	--------	--------	--------	--------	--------	--------	--------	--------	--------	--------	--------	--------	--------	--------	--------	--------	--------	--------	--------

PROGRESSIVE PROGETTO

								-3.30	-0.70	0.00									
--	--	--	--	--	--	--	--	-------	-------	------	--	--	--	--	--	--	--	--	--

PARZIALI PROGETTO

								2.60	0.70	3.75									
--	--	--	--	--	--	--	--	------	------	------	--	--	--	--	--	--	--	--	--

QUOTE PROGETTO

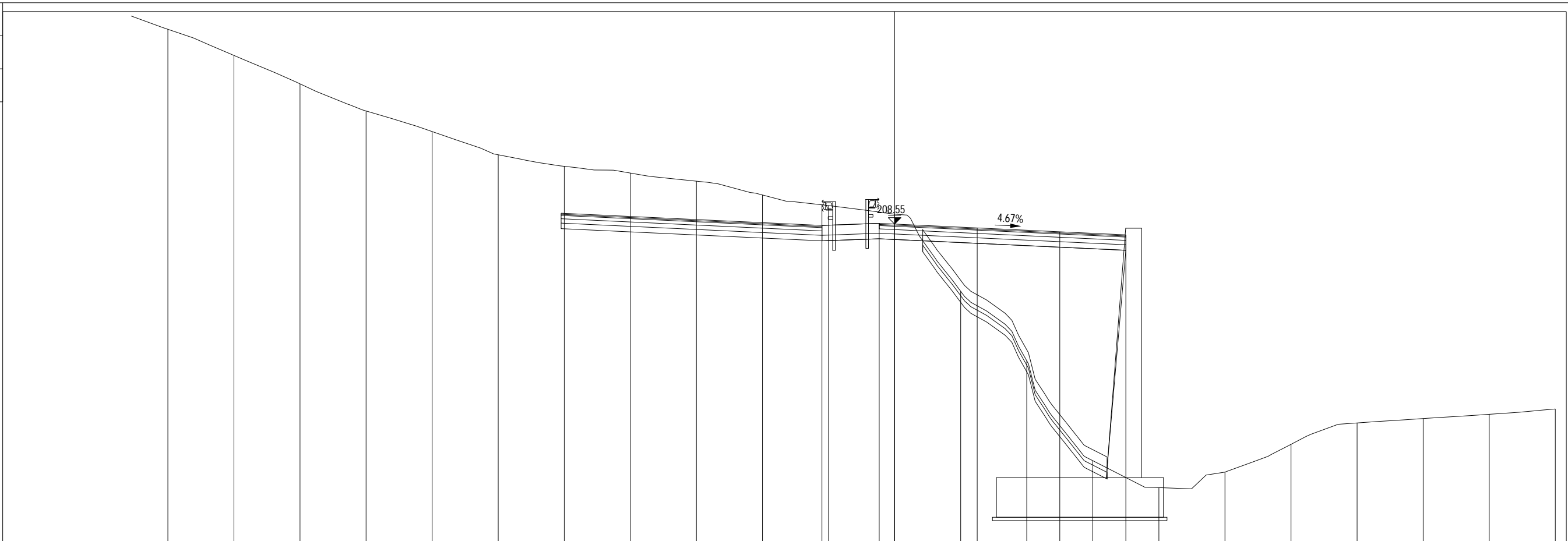
								208.64	208.73	208.70				208.52	208.35				208.21
--	--	--	--	--	--	--	--	--------	--------	--------	--	--	--	--------	--------	--	--	--	--------

PROFILO 2.6a\_CUNEO

SEZIONE 238

PROGRESSIVA 4545.53

A RILEVATO	m <sup>2</sup>	46.73
AN ANTICAPILLARE	m <sup>2</sup>	4.21
B SCAVO	m <sup>2</sup>	5.62
C BINDER	m <sup>2</sup>	0.56
D BASE	m <sup>2</sup>	1.68
MC MISTO CEMENTATO	m <sup>2</sup>	3.41
MS MISTO STABILIZZATO	m <sup>2</sup>	3.45
a USURA	m	11.21
br BONIFICA	m	13.67
sc SCOTICO	m	13.67
tn TNT	m	8.37



PROGRESSIVE TERRENO

-33.00	-30.00	-27.00	-24.00	-21.00	-18.00	-15.00	-12.00	-9.00	-6.00	-3.00	0.00	3.00	6.00	9.00	12.00	15.00	18.00	21.00	24.00	27.00	30.00
--------	--------	--------	--------	--------	--------	--------	--------	-------	-------	-------	------	------	------	------	-------	-------	-------	-------	-------	-------	-------

PARZIALI TERRENO

3.00	3.00	3.00	3.00	3.00	3.00	3.00	3.00	3.00	3.00	3.00	3.00	3.00	3.00	3.00	3.00	3.00	3.00	3.00	3.00	3.00	3.00
------	------	------	------	------	------	------	------	------	------	------	------	------	------	------	------	------	------	------	------	------	------

QUOTE TERRENO

217.39	216.21	214.92	213.68	212.75	211.69	211.17	210.86	210.50	209.87	209.39	209.00	205.49	202.34	197.80	196.58	197.28	198.54	199.51	199.71	199.91	200.15
--------	--------	--------	--------	--------	--------	--------	--------	--------	--------	--------	--------	--------	--------	--------	--------	--------	--------	--------	--------	--------	--------

PROGRESSIVE PROGETTO

										-3.30	-0.70	0.00	3.75	7.50	10.50						
--	--	--	--	--	--	--	--	--	--	-------	-------	------	------	------	-------	--	--	--	--	--	--

PARZIALI PROGETTO

										2.60	0.70	3.75	3.75	3.00							
--	--	--	--	--	--	--	--	--	--	------	------	------	------	------	--	--	--	--	--	--	--

QUOTE PROGETTO

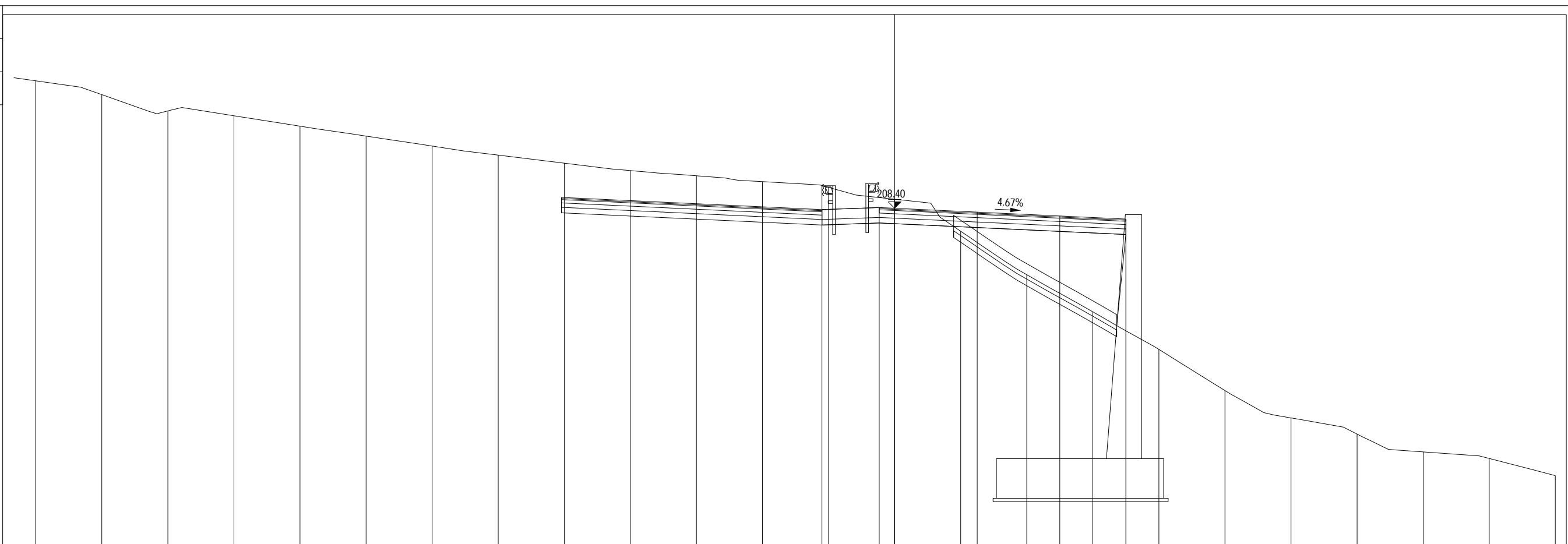
										208.49	208.58	208.55	208.37	208.20	208.06						
--	--	--	--	--	--	--	--	--	--	--------	--------	--------	--------	--------	--------	--	--	--	--	--	--

PROFILO 2.6a\_CUNEO

SEZIONE 239

PROGRESSIVA 4563.18

A RILEVATO	m <sup>2</sup>	16.93
AN ANTICAPILLARE	m <sup>2</sup>	3.71
B SCAVO	m <sup>2</sup>	6.65
C BINDER	m <sup>2</sup>	0.56
D BASE	m <sup>2</sup>	1.68
MC MISTO CEMENTATO	m <sup>2</sup>	3.41
MS MISTO STABILIZZATO	m <sup>2</sup>	3.45
a USURA	m	11.21
br BONIFICA	m	8.67
sc SCOTICO	m	8.67
tn TNT	m	7.41



PROGRESSIVE TERRENO

-39.00	-36.00	-33.00	-30.00	-27.00	-24.00	-21.00	-18.00	-15.00	-12.00	-9.00	-6.00	-3.00	0.00	3.00	6.00	9.00	12.00	15.00	18.00	21.00	24.00	27.00	30.00
--------	--------	--------	--------	--------	--------	--------	--------	--------	--------	-------	-------	-------	------	------	------	------	-------	-------	-------	-------	-------	-------	-------

PARZIALI TERRENO

3.00	3.00	3.00	3.00	3.00	3.00	3.00	3.00	3.00	3.00	3.00	3.00	3.00	3.00	3.00	3.00	3.00	3.00	3.00	3.00	3.00	3.00	3.00	3.00
------	------	------	------	------	------	------	------	------	------	------	------	------	------	------	------	------	------	------	------	------	------	------	------

QUOTE TERRENO

214.19	213.56	212.82	212.60	212.13	211.68	211.22	210.81	210.45	210.11	209.87	209.61	209.35	208.81	207.36	205.38	203.70	201.99	200.12	198.88	198.14	197.33	197.04	196.26
--------	--------	--------	--------	--------	--------	--------	--------	--------	--------	--------	--------	--------	--------	--------	--------	--------	--------	--------	--------	--------	--------	--------	--------

PROGRESSIVE PROGETTO

												-3.30	-0.70	0.00	3.75	7.50	10.50						
--	--	--	--	--	--	--	--	--	--	--	--	-------	-------	------	------	------	-------	--	--	--	--	--	--

PARZIALI PROGETTO

												2.60	0.70	3.75	3.75	3.00							
--	--	--	--	--	--	--	--	--	--	--	--	------	------	------	------	------	--	--	--	--	--	--	--

QUOTE PROGETTO

												208.34	208.43	208.40	208.22	208.05	207.91						
--	--	--	--	--	--	--	--	--	--	--	--	--------	--------	--------	--------	--------	--------	--	--	--	--	--	--



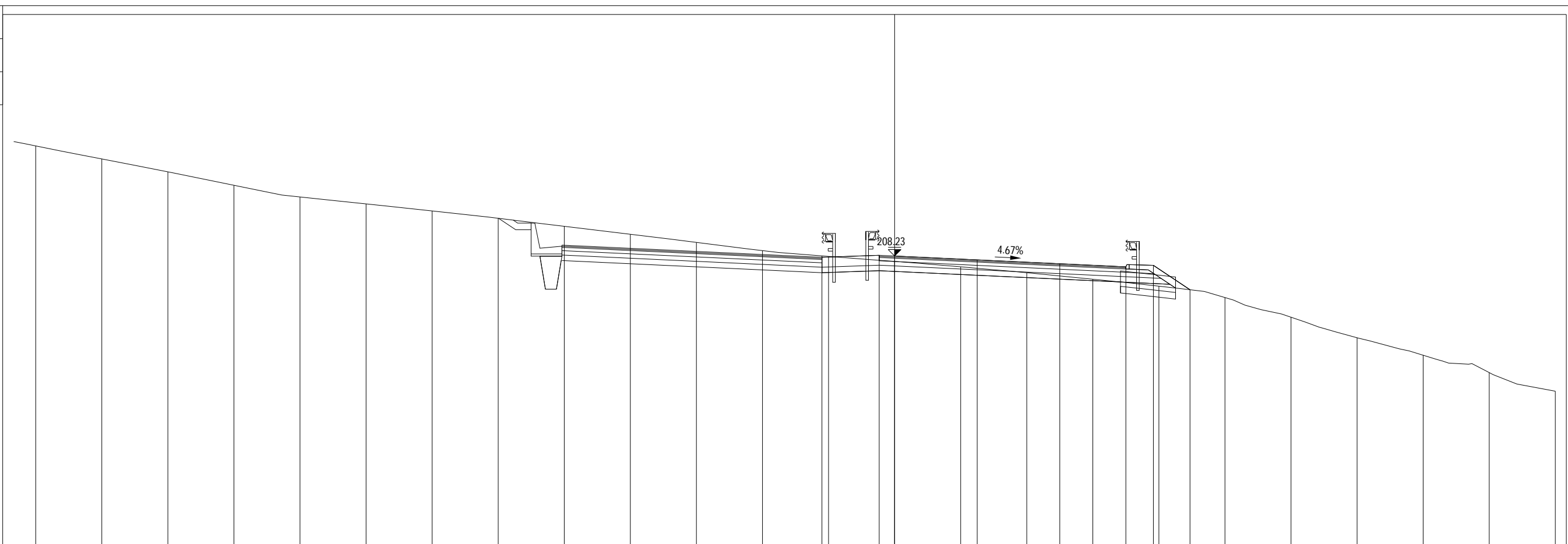


PROFILO 2.6a\_CUNEO

SEZIONE 241

PROGRESSIVA 4590.36

A RILEVATO	m <sup>2</sup>	0.17
AN ANTICAPILLARE	m <sup>2</sup>	1.27
B SCAVO	m <sup>2</sup>	4.50
C BINDER	m <sup>2</sup>	0.56
D BASE	m <sup>2</sup>	1.87
MC MISTO CEMENTATO	m <sup>2</sup>	3.71
MS MISTO STABILIZZATO	m <sup>2</sup>	3.91
VR VEGETALE RIL	m <sup>2</sup>	0.76
a USURA	m	11.21
br BONIFICA	m	2.57
sc SCOTICO	m	2.57
tn TNT	m	2.55



PROGRESSIVE TERRENO

-39.00	-36.00	-33.00	-30.00	-27.00	-24.00	-21.00	-18.00	-15.00	-12.00	-9.00	-6.00	-3.00	0.00	3.00	6.00	9.00	12.00	15.00	18.00	21.00	24.00	27.00	30.00
--------	--------	--------	--------	--------	--------	--------	--------	--------	--------	-------	-------	-------	------	------	------	------	-------	-------	-------	-------	-------	-------	-------

PARZIALI TERRENO

3.00	3.00	3.00	3.00	3.00	3.00	3.00	3.00	3.00	3.00	3.00	3.00	3.00	3.00	3.00	3.00	3.00	3.00	3.00	3.00	3.00	3.00	3.00	3.00
------	------	------	------	------	------	------	------	------	------	------	------	------	------	------	------	------	------	------	------	------	------	------	------

QUOTE TERRENO

213.23	212.64	212.05	211.44	210.91	210.60	210.28	209.94	209.58	209.22	208.85	208.48	208.21	207.99	207.74	207.47	207.18	206.86	206.34	205.45	204.52	203.72	202.94	202.09
--------	--------	--------	--------	--------	--------	--------	--------	--------	--------	--------	--------	--------	--------	--------	--------	--------	--------	--------	--------	--------	--------	--------	--------

PROGRESSIVE PROGETTO

												-3.30	-0.70	0.00	3.75	7.50	10.50	11.75	13.41				
--	--	--	--	--	--	--	--	--	--	--	--	-------	-------	------	------	------	-------	-------	-------	--	--	--	--

PARZIALI PROGETTO

												2.60	0.70	3.75	3.75	3.00	1.25	1.66					
--	--	--	--	--	--	--	--	--	--	--	--	------	------	------	------	------	------	------	--	--	--	--	--

QUOTE PROGETTO

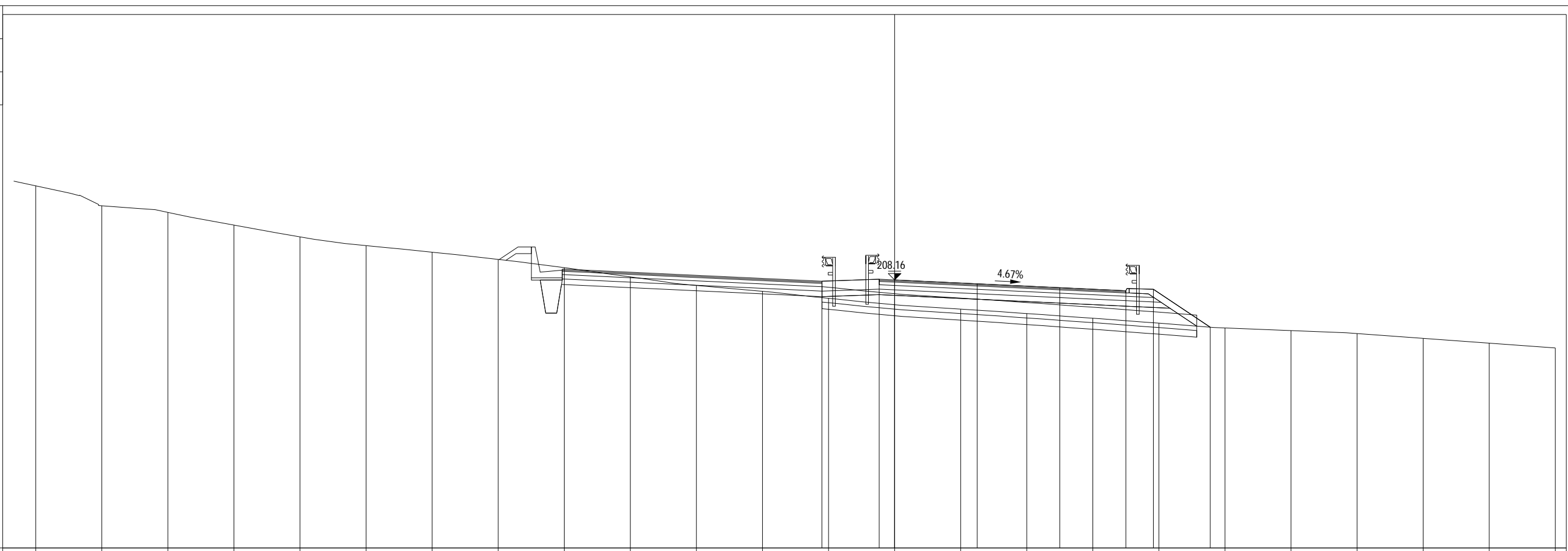
												208.17	208.26	208.23	208.06	207.88	207.74	207.81	206.70				
--	--	--	--	--	--	--	--	--	--	--	--	--------	--------	--------	--------	--------	--------	--------	--------	--	--	--	--

PROFILO 2.6a\_CUNEO

SEZIONE 242

PROGRESSIVA 4605.31

A RILEVATO	m <sup>2</sup>	8.35
AN ANTICAPILLARE	m <sup>2</sup>	8.54
C BINDER	m <sup>2</sup>	0.56
D BASE	m <sup>2</sup>	1.86
MC MISTO CEMENTATO	m <sup>2</sup>	3.71
MS MISTO STABILIZZATO	m <sup>2</sup>	3.91
VR VEGETALE RIL	m <sup>2</sup>	1.08
a USURA	m	11.21
br BONIFICA	m	17.11
sc SCOTICO	m	17.11
tn TNT	m	17.07



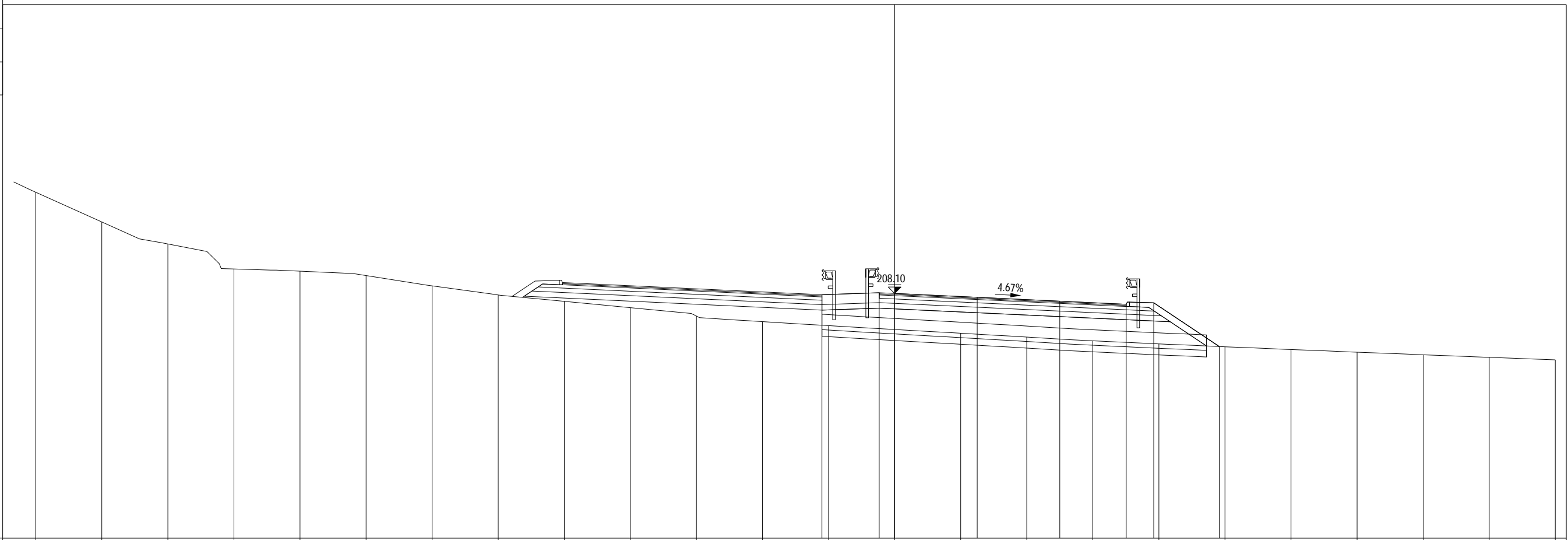
PROGRESSIVE TERRENO	-39.00	-36.00	-33.00	-30.00	-27.00	-24.00	-21.00	-18.00	-15.00	-12.00	-9.00	-6.00	-3.00	0.00	3.00	6.00	9.00	12.00	15.00	18.00	21.00	24.00	27.00	30.00
PARZIALI TERRENO		3.00	3.00	3.00	3.00	3.00	3.00	3.00	3.00	3.00	3.00	3.00	3.00	3.00	3.00	3.00	3.00	3.00	3.00	3.00	3.00	3.00	3.00	3.00
QUOTE TERRENO	212.43	211.52	211.22	210.65	210.11	209.72	209.42	209.09	208.72	208.30	207.91	207.64	207.33	207.03	206.83	206.63	206.42	206.20	205.98	205.86	205.73	205.51	205.29	205.07
PROGRESSIVE PROGETTO													-3.30	-0.70	0.00	3.75	7.50	10.50	11.75	14.33				
PARZIALI PROGETTO													2.60	0.70	3.75	3.75	3.00	1.25	2.58					
QUOTE PROGETTO													208.10	208.19	208.16	207.98	207.81	207.67	207.73	206.01				

PROFILO 2.6a\_CUNEO

SEZIONE 243

PROGRESSIVA 4617.73

A RILEVATO	m <sup>2</sup>	16.14
AN ANTICAPILLARE	m <sup>2</sup>	8.76
C BINDER	m <sup>2</sup>	0.56
D BASE	m <sup>2</sup>	1.87
MC MISTO CEMENTATO	m <sup>2</sup>	3.71
MS MISTO STABILIZZATO	m <sup>2</sup>	3.92
VR VEGETALE RIL	m <sup>2</sup>	1.22
a USURA	m	11.23
br BONIFICA	m	17.51
sc SCOTICO	m	17.51
tn TNT	m	17.51



197

200  
200

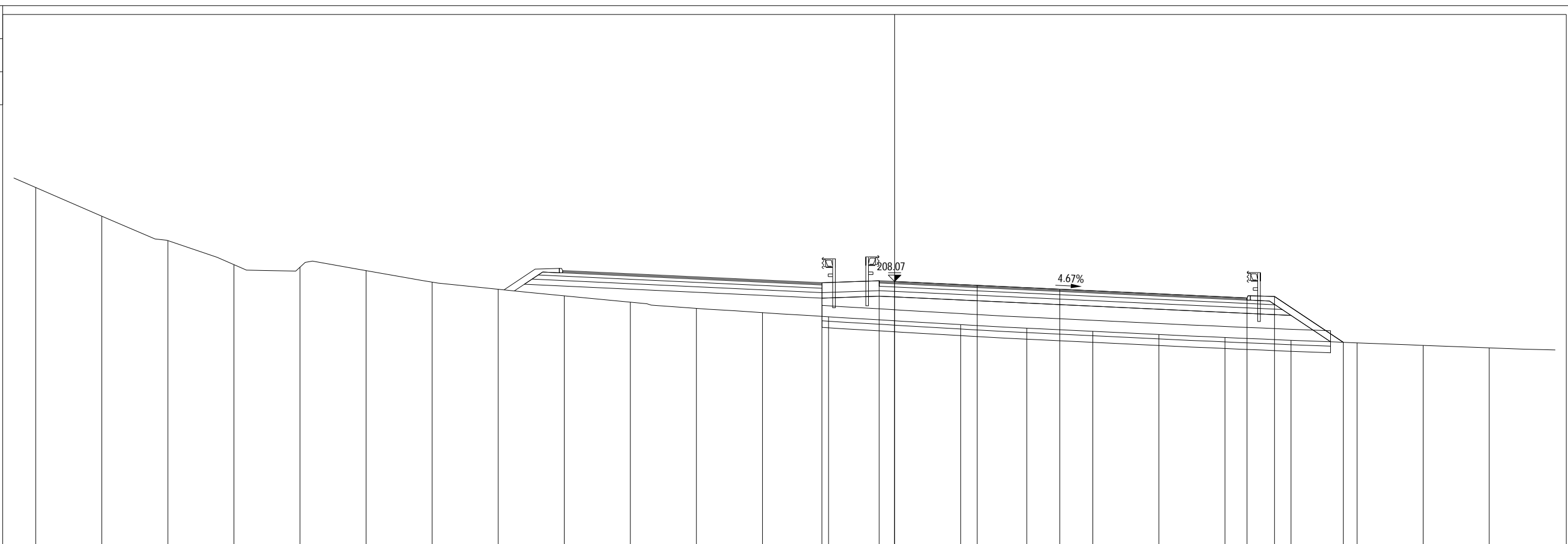
PROGRESSIVE TERRENO	-39.00	-36.00	-33.00	-30.00	-27.00	-24.00	-21.00	-18.00	-15.00	-12.00	-9.00	-6.00	-3.00	0.00	3.00	6.00	9.00	12.00	15.00	18.00	21.00	24.00	27.00	30.00
PARZIALI TERRENO		3.00	3.00	3.00	3.00	3.00	3.00	3.00	3.00	3.00	3.00	3.00	3.00	3.00	3.00	3.00	3.00	3.00	3.00	3.00	3.00	3.00	3.00	3.00
QUOTE TERRENO	212.69	211.34	210.34	209.21	209.11	208.91	208.44	208.03	207.74	207.45	207.07	206.82	206.64	206.46	206.29	206.12	205.95	205.81	205.68	205.55	205.43	205.31	205.20	205.09
PROGRESSIVE PROGETTO													-3.30	-0.70	0.00	3.75	7.50	10.52	11.77	14.74				
PARZIALI PROGETTO													2.60	0.70	3.75	3.75	3.02	1.25	2.97					
QUOTE PROGETTO													208.04	208.13	208.10	207.92	207.75	207.61	207.67	205.69				

PROFILO 2.6a\_CUNEO

SEZIONE 244

PROGRESSIVA 4622.53

A RILEVATO	m <sup>2</sup>	24.76
AN ANTICAPILLARE	m <sup>2</sup>	11.57
C BINDER	m <sup>2</sup>	0.84
D BASE	m <sup>2</sup>	2.68
MC MISTO CEMENTATO	m <sup>2</sup>	4.80
MS MISTO STABILIZZATO	m <sup>2</sup>	5.30
VR VEGETALE RIL	m <sup>2</sup>	1.28
a USURA	m	16.72
br BONIFICA	m	23.15
sc SCOTICO	m	23.15
tn TNT	m	23.15



PROGRESSIVE TERRENO

-39.00	-36.00	-33.00	-30.00	-27.00	-24.00	-21.00	-18.00	-15.00	-12.00	-9.00	-6.00	-3.00	0.00	3.00	6.00	9.00	12.00	15.00	18.00	21.00	24.00	27.00
--------	--------	--------	--------	--------	--------	--------	--------	--------	--------	-------	-------	-------	------	------	------	------	-------	-------	-------	-------	-------	-------

PARZIALI TERRENO

3.00	3.00	3.00	3.00	3.00	3.00	3.00	3.00	3.00	3.00	3.00	3.00	3.00	3.00	3.00	3.00	3.00	3.00	3.00	3.00	3.00	3.00	3.00
------	------	------	------	------	------	------	------	------	------	------	------	------	------	------	------	------	------	------	------	------	------	------

QUOTE TERRENO

212.34	211.04	209.93	208.84	208.72	208.57	208.04	207.72	207.42	207.13	206.85	206.66	206.47	206.29	206.12	205.95	205.81	205.67	205.53	205.40	205.28	205.17	205.06
--------	--------	--------	--------	--------	--------	--------	--------	--------	--------	--------	--------	--------	--------	--------	--------	--------	--------	--------	--------	--------	--------	--------

PROGRESSIVE PROGETTO

												-3.30	-0.70	0.00	3.75	7.50			16.00	17.25	20.37	
--	--	--	--	--	--	--	--	--	--	--	--	-------	-------	------	------	------	--	--	-------	-------	-------	--

PARZIALI PROGETTO

												2.60	0.70	3.75	3.75	8.50			1.25	3.12		
--	--	--	--	--	--	--	--	--	--	--	--	------	------	------	------	------	--	--	------	------	--	--

QUOTE PROGETTO

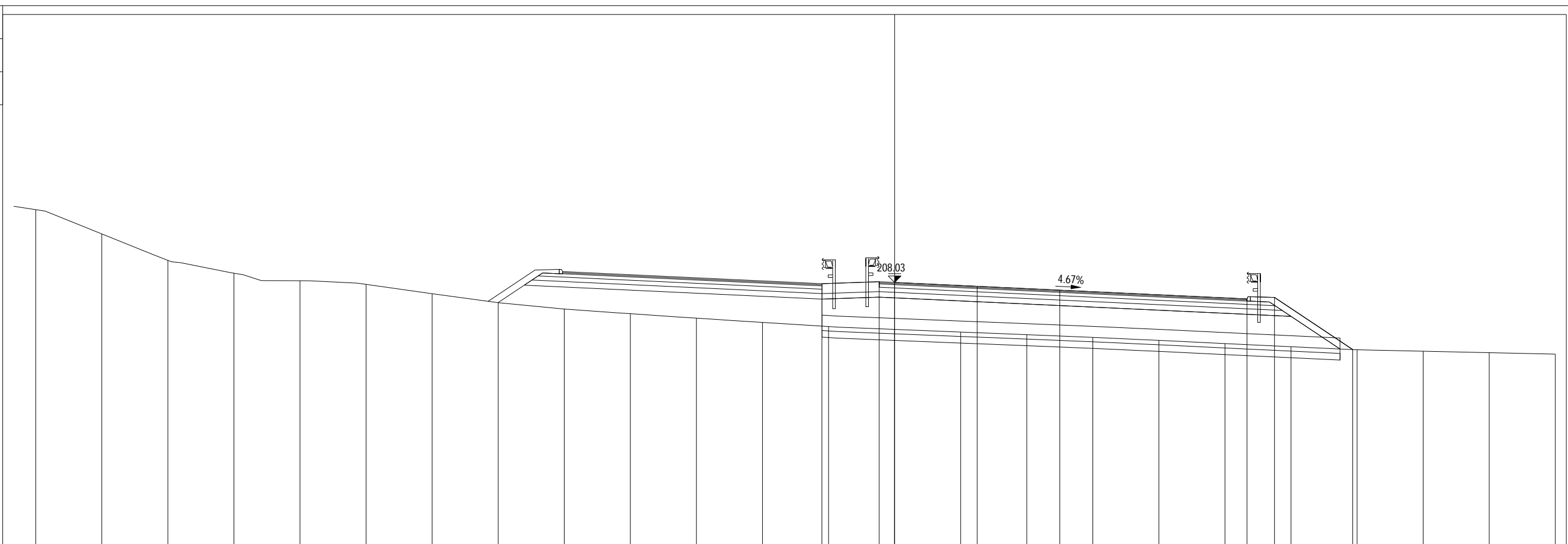
												208.02	208.11	208.07	207.90	207.72			207.33	207.39	205.31	
--	--	--	--	--	--	--	--	--	--	--	--	--------	--------	--------	--------	--------	--	--	--------	--------	--------	--

PROFILO 2.6a\_CUNEO

SEZIONE 245

PROGRESSIVA 4631.41

A RILEVATO	m <sup>2</sup>	31.00
AN ANTICAPILLARE	m <sup>2</sup>	11.79
C BINDER	m <sup>2</sup>	0.83
D BASE	m <sup>2</sup>	2.70
MC MISTO CEMENTATO	m <sup>2</sup>	4.81
MS MISTO STABILIZZATO	m <sup>2</sup>	5.28
VR VEGETALE RIL	m <sup>2</sup>	1.43
a USURA	m	16.72
br BONIFICA	m	23.58
sc SCOTICO	m	23.58
tn TNT	m	23.58



PROGRESSIVE TERRENO

-39.00	-36.00	-33.00	-30.00	-27.00	-24.00	-21.00	-18.00	-15.00	-12.00	-9.00	-6.00	-3.00	0.00	3.00	6.00	9.00	12.00	15.00	18.00	21.00	24.00	27.00	30.00
--------	--------	--------	--------	--------	--------	--------	--------	--------	--------	-------	-------	-------	------	------	------	------	-------	-------	-------	-------	-------	-------	-------

PARZIALI TERRENO

3.00	3.00	3.00	3.00	3.00	3.00	3.00	3.00	3.00	3.00	3.00	3.00	3.00	3.00	3.00	3.00	3.00	3.00	3.00	3.00	3.00	3.00	3.00	3.00
------	------	------	------	------	------	------	------	------	------	------	------	------	------	------	------	------	------	------	------	------	------	------	------

QUOTE TERRENO

211.34	210.23	209.03	208.45	208.11	207.94	207.52	207.11	206.82	206.61	206.41	206.22	206.03	205.90	205.78	205.66	205.54	205.40	205.25	205.11	204.98	204.91	204.84	204.78
--------	--------	--------	--------	--------	--------	--------	--------	--------	--------	--------	--------	--------	--------	--------	--------	--------	--------	--------	--------	--------	--------	--------	--------

PROGRESSIVE PROGETTO

												-3.30	-0.70	0.00	3.75	7.50			16.00	17.25	20.80		
--	--	--	--	--	--	--	--	--	--	--	--	-------	-------	------	------	------	--	--	-------	-------	-------	--	--

PARZIALI PROGETTO

												2.60	0.70	3.75	3.75	8.50			1.25	3.55			
--	--	--	--	--	--	--	--	--	--	--	--	------	------	------	------	------	--	--	------	------	--	--	--

QUOTE PROGETTO

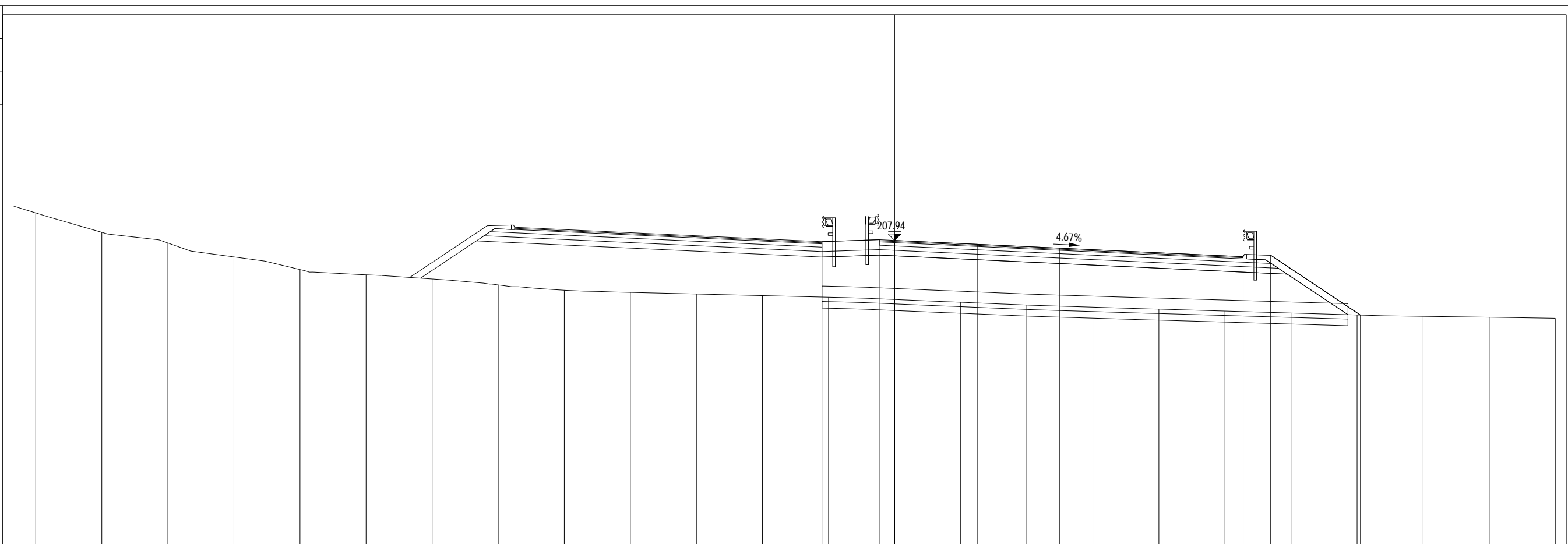
												207.97	208.06	208.03	207.86	207.68			207.28	207.35	204.98		
--	--	--	--	--	--	--	--	--	--	--	--	--------	--------	--------	--------	--------	--	--	--------	--------	--------	--	--

PROFILO 2.6a\_CUNEO

SEZIONE 246

PROGRESSIVA 4650.17

A RILEVATO	m <sup>2</sup>	42.59
AN ANTICAPILLARE	m <sup>2</sup>	11.97
C BINDER	m <sup>2</sup>	0.82
D BASE	m <sup>2</sup>	2.67
MC MISTO CEMENTATO	m <sup>2</sup>	4.78
MS MISTO STABILIZZATO	m <sup>2</sup>	5.24
VR VEGETALE RIL	m <sup>2</sup>	1.63
a USURA	m	16.55
br BONIFICA	m	23.94
sc SCOTICO	m	23.94
tn TNT	m	23.94



PROGRESSIVE TERRENO

-39.00	-36.00	-33.00	-30.00	-27.00	-24.00	-21.00	-18.00	-15.00	-12.00	-9.00	-6.00	-3.00	0.00	3.00	6.00	9.00	12.00	15.00	18.00	21.00	24.00	27.00	30.00
--------	--------	--------	--------	--------	--------	--------	--------	--------	--------	-------	-------	-------	------	------	------	------	-------	-------	-------	-------	-------	-------	-------

PARZIALI TERRENO

3.00	3.00	3.00	3.00	3.00	3.00	3.00	3.00	3.00	3.00	3.00	3.00	3.00	3.00	3.00	3.00	3.00	3.00	3.00	3.00	3.00	3.00	3.00	3.00
------	------	------	------	------	------	------	------	------	------	------	------	------	------	------	------	------	------	------	------	------	------	------	------

QUOTE TERRENO

209.19	208.31	207.82	207.19	206.62	206.38	206.19	205.92	205.68	205.58	205.51	205.43	205.36	205.26	205.13	205.00	204.91	204.82	204.73	204.64	204.55	204.49	204.45	204.40
--------	--------	--------	--------	--------	--------	--------	--------	--------	--------	--------	--------	--------	--------	--------	--------	--------	--------	--------	--------	--------	--------	--------	--------

PROGRESSIVE PROGETTO

												-3.30	-0.70	0.00						15.83	17.08		21.15	
--	--	--	--	--	--	--	--	--	--	--	--	-------	-------	------	--	--	--	--	--	-------	-------	--	-------	--

PARZIALI PROGETTO

												2.60	0.70	3.75	3.75		8.33		1.25	4.07			
--	--	--	--	--	--	--	--	--	--	--	--	------	------	------	------	--	------	--	------	------	--	--	--

QUOTE PROGETTO

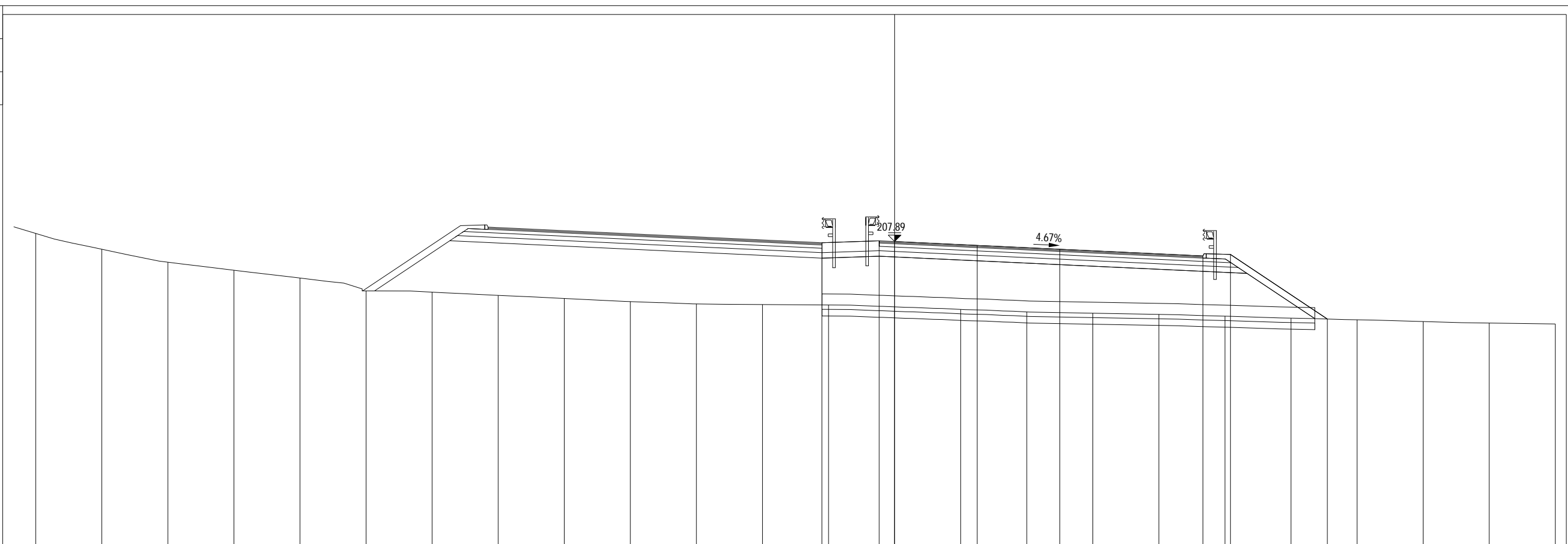
												207.88	207.97	207.94	207.76	207.59			207.20	207.27		204.55	
--	--	--	--	--	--	--	--	--	--	--	--	--------	--------	--------	--------	--------	--	--	--------	--------	--	--------	--

PROFILO 2.6a\_CUNEO

SEZIONE 247

PROGRESSIVA 4660.58

A RILEVATO	m <sup>2</sup>	44.64
AN ANTICAPILLARE	m <sup>2</sup>	11.23
C BINDER	m <sup>2</sup>	0.74
D BASE	m <sup>2</sup>	2.39
MC MISTO CEMENTATO	m <sup>2</sup>	4.40
MS MISTO STABILIZZATO	m <sup>2</sup>	4.80
VR VEGETALE RIL	m <sup>2</sup>	1.76
a USURA	m	14.72
br BONIFICA	m	22.43
sc SCOTICO	m	22.43
tn TNT	m	22.43



PROGRESSIVE TERRENO

-39.00	-36.00	-33.00	-30.00	-27.00	-24.00	-21.00	-18.00	-15.00	-12.00	-9.00	-6.00	-3.00	0.00	3.00	6.00	9.00	12.00	15.00	18.00	21.00	24.00	27.00	30.00
--------	--------	--------	--------	--------	--------	--------	--------	--------	--------	-------	-------	-------	------	------	------	------	-------	-------	-------	-------	-------	-------	-------

PARZIALI TERRENO

3.00	3.00	3.00	3.00	3.00	3.00	3.00	3.00	3.00	3.00	3.00	3.00	3.00	3.00	3.00	3.00	3.00	3.00	3.00	3.00	3.00	3.00	3.00	3.00
------	------	------	------	------	------	------	------	------	------	------	------	------	------	------	------	------	------	------	------	------	------	------	------

QUOTE TERRENO

208.26	207.54	206.95	206.58	206.23	205.65	205.59	205.44	205.30	205.16	205.05	205.03	205.01	204.92	204.81	204.69	204.63	204.58	204.50	204.41	204.33	204.25	204.19	204.14
--------	--------	--------	--------	--------	--------	--------	--------	--------	--------	--------	--------	--------	--------	--------	--------	--------	--------	--------	--------	--------	--------	--------	--------

PROGRESSIVE PROGETTO

												-3.30	-0.70	0.00	3.75	7.50		14.00	15.25		19.65		
--	--	--	--	--	--	--	--	--	--	--	--	-------	-------	------	------	------	--	-------	-------	--	-------	--	--

PARZIALI PROGETTO

												2.60	0.70	3.75	3.75	6.50		1.25	4.40				
--	--	--	--	--	--	--	--	--	--	--	--	------	------	------	------	------	--	------	------	--	--	--	--

QUOTE PROGETTO

												207.83	207.92	207.89	207.71	207.54		207.23	207.30		204.37		
--	--	--	--	--	--	--	--	--	--	--	--	--------	--------	--------	--------	--------	--	--------	--------	--	--------	--	--

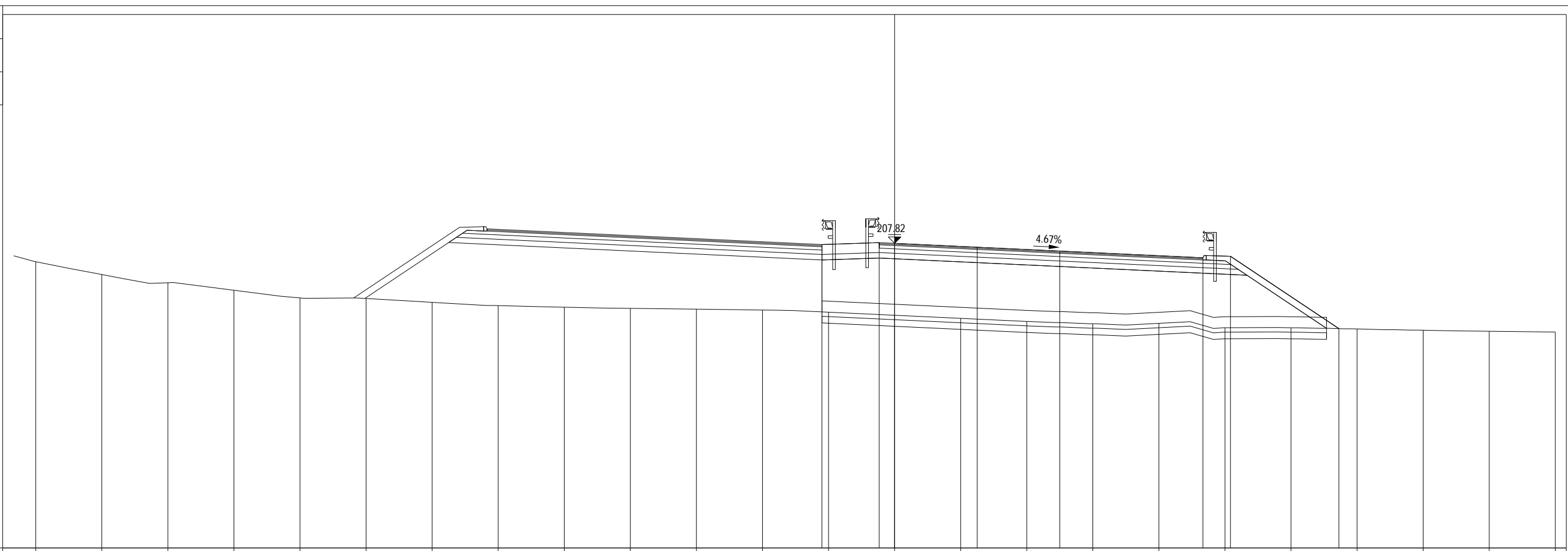


PROFILO 2.6a\_CUNEO

SEZIONE 248

PROGRESSIVA 4675.06

A RILEVATO	m <sup>2</sup>	52.37
AN ANTICAPILLARE	m <sup>2</sup>	11.46
C BINDER	m <sup>2</sup>	0.74
D BASE	m <sup>2</sup>	2.39
MC MISTO CEMENTATO	m <sup>2</sup>	4.41
MS MISTO STABILIZZATO	m <sup>2</sup>	4.79
VR VEGETALE RIL	m <sup>2</sup>	1.92
a USURA	m	14.72
br BONIFICA	m	23.01
sc SCOTICO	m	23.01
tn TNT	m	22.96



PROGRESSIVE TERRENO

-39.00	-36.00	-33.00	-30.00	-27.00	-24.00	-21.00	-18.00	-15.00	-12.00	-9.00	-6.00	-3.00	0.00	3.00	6.00	9.00	12.00	15.00	18.00	21.00	24.00	27.00	30.00
--------	--------	--------	--------	--------	--------	--------	--------	--------	--------	-------	-------	-------	------	------	------	------	-------	-------	-------	-------	-------	-------	-------

PARZIALI TERRENO

3.00	3.00	3.00	3.00	3.00	3.00	3.00	3.00	3.00	3.00	3.00	3.00	3.00	3.00	3.00	3.00	3.00	3.00	3.00	3.00	3.00	3.00	3.00	3.00
------	------	------	------	------	------	------	------	------	------	------	------	------	------	------	------	------	------	------	------	------	------	------	------

QUOTE TERRENO

206.98	206.40	206.03	205.69	205.34	205.32	205.14	204.99	204.92	204.87	204.83	204.79	204.69	204.55	204.41	204.28	204.17	204.19	203.99	203.99	203.94	203.88	203.83	203.79
--------	--------	--------	--------	--------	--------	--------	--------	--------	--------	--------	--------	--------	--------	--------	--------	--------	--------	--------	--------	--------	--------	--------	--------

PROGRESSIVE PROGETTO

												-3.30	-0.70	0.00	3.75	7.50		14.00	15.25		20.17		
--	--	--	--	--	--	--	--	--	--	--	--	-------	-------	------	------	------	--	-------	-------	--	-------	--	--

PARZIALI PROGETTO

												2.60	0.70	3.75	3.75	6.50		1.25	4.92				
--	--	--	--	--	--	--	--	--	--	--	--	------	------	------	------	------	--	------	------	--	--	--	--

QUOTE PROGETTO

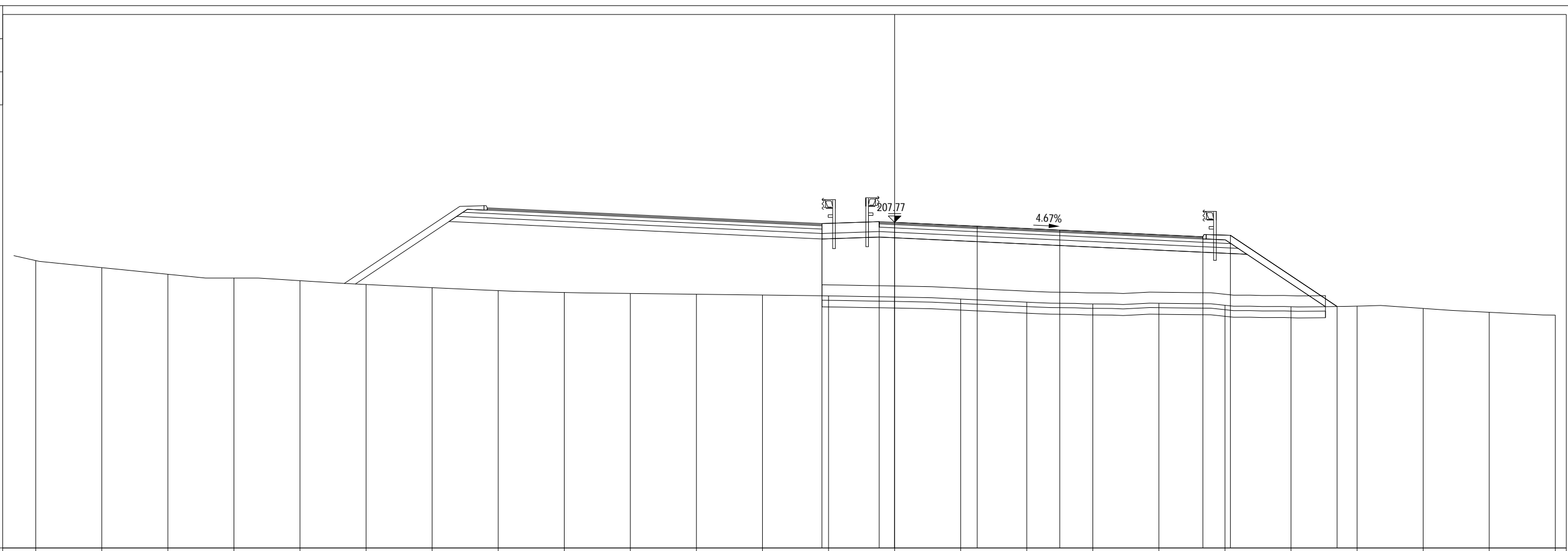
												207.76	207.85	207.82	207.64	207.47		207.16	207.23		203.95		
--	--	--	--	--	--	--	--	--	--	--	--	--------	--------	--------	--------	--------	--	--------	--------	--	--------	--	--

PROFILO 2.6a\_CUNEO

SEZIONE 249

PROGRESSIVA 4685.03

A RILEVATO	m <sup>2</sup>	53.84
AN ANTICAPILLARE	m <sup>2</sup>	11.45
C BINDER	m <sup>2</sup>	0.74
D BASE	m <sup>2</sup>	2.39
MC MISTO CEMENTATO	m <sup>2</sup>	4.40
MS MISTO STABILIZZATO	m <sup>2</sup>	4.79
VR VEGETALE RIL	m <sup>2</sup>	1.89
a USURA	m	14.72
br BONIFICA	m	22.93
sc SCOTICO	m	22.93
tn TNT	m	22.91



PROGRESSIVE TERRENO

-39.00	-36.00	-33.00	-30.00	-27.00	-24.00	-21.00	-18.00	-15.00	-12.00	-9.00	-6.00	-3.00	0.00	3.00	6.00	9.00	12.00	15.00	18.00	21.00	24.00	27.00	30.00
--------	--------	--------	--------	--------	--------	--------	--------	--------	--------	-------	-------	-------	------	------	------	------	-------	-------	-------	-------	-------	-------	-------

PARZIALI TERRENO

3.00	3.00	3.00	3.00	3.00	3.00	3.00	3.00	3.00	3.00	3.00	3.00	3.00	3.00	3.00	3.00	3.00	3.00	3.00	3.00	3.00	3.00	3.00	3.00
------	------	------	------	------	------	------	------	------	------	------	------	------	------	------	------	------	------	------	------	------	------	------	------

QUOTE TERRENO

206.04	205.72	205.41	205.24	205.12	204.95	204.81	204.67	204.59	204.54	204.51	204.47	204.43	204.38	204.29	204.15	204.07	204.10	204.01	203.94	203.97	203.87	203.69	203.56
--------	--------	--------	--------	--------	--------	--------	--------	--------	--------	--------	--------	--------	--------	--------	--------	--------	--------	--------	--------	--------	--------	--------	--------

PROGRESSIVE PROGETTO

												-3.30	-0.70	0.00	3.75	7.50		14.00	15.25	20.09			
--	--	--	--	--	--	--	--	--	--	--	--	-------	-------	------	------	------	--	-------	-------	-------	--	--	--

PARZIALI PROGETTO

												2.60	0.70	3.75	3.75	6.50		1.25	4.84				
--	--	--	--	--	--	--	--	--	--	--	--	------	------	------	------	------	--	------	------	--	--	--	--

QUOTE PROGETTO

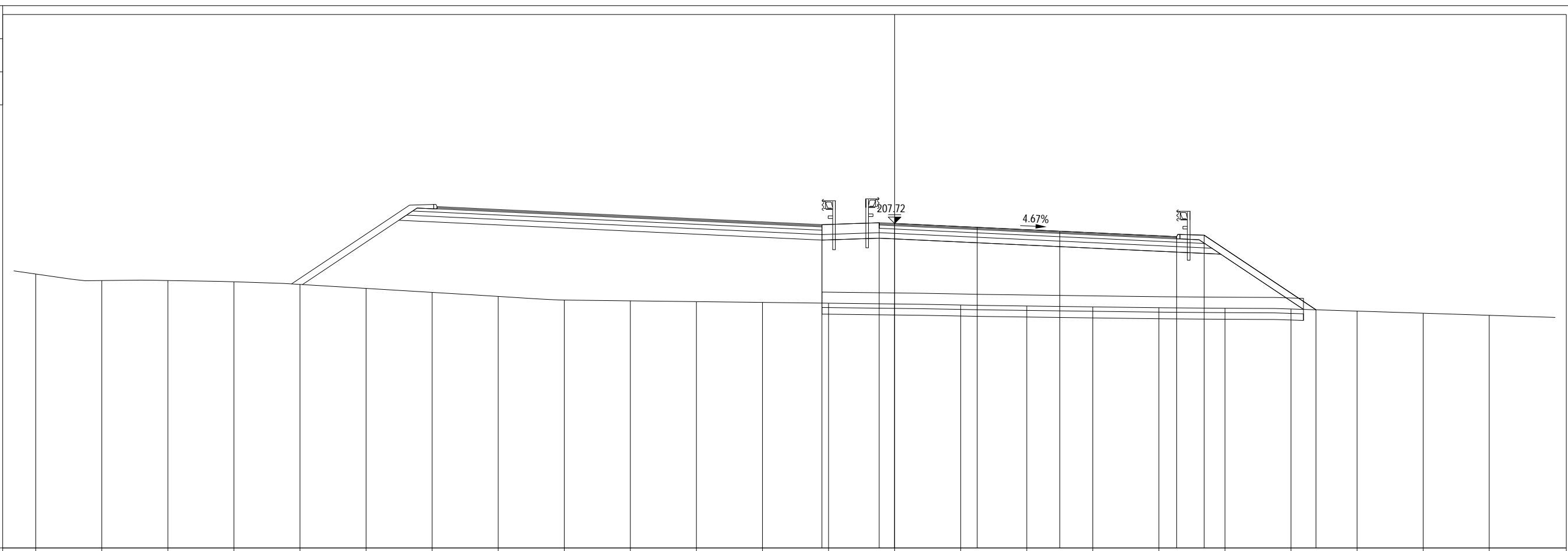
												207.72	207.80	207.77	207.59	207.42		207.12	207.18	203.95			
--	--	--	--	--	--	--	--	--	--	--	--	--------	--------	--------	--------	--------	--	--------	--------	--------	--	--	--

PROFILO 2.6a\_CUNEO

SEZIONE 250

PROGRESSIVA 4695.33

A RILEVATO	m <sup>2</sup>	54.50
AN ANTICAPILLARE	m <sup>2</sup>	10.96
C BINDER	m <sup>2</sup>	0.67
D BASE	m <sup>2</sup>	2.21
MC MISTO CEMENTATO	m <sup>2</sup>	4.17
MS MISTO STABILIZZATO	m <sup>2</sup>	4.48
VR VEGETALE RIL	m <sup>2</sup>	1.98
a USURA	m	13.52
br BONIFICA	m	21.92
sc SCOTICO	m	21.92
tn TNT	m	21.92



PROGRESSIVE TERRENO

-39.00	-36.00	-33.00	-30.00	-27.00	-24.00	-21.00	-18.00	-15.00	-12.00	-9.00	-6.00	-3.00	0.00	3.00	6.00	9.00	12.00	15.00	18.00	21.00	24.00	27.00
--------	--------	--------	--------	--------	--------	--------	--------	--------	--------	-------	-------	-------	------	------	------	------	-------	-------	-------	-------	-------	-------

PARZIALI TERRENO

3.00	3.00	3.00	3.00	3.00	3.00	3.00	3.00	3.00	3.00	3.00	3.00	3.00	3.00	3.00	3.00	3.00	3.00	3.00	3.00	3.00	3.00	3.00
------	------	------	------	------	------	------	------	------	------	------	------	------	------	------	------	------	------	------	------	------	------	------

QUOTE TERRENO

205.43	205.13	205.13	205.07	204.95	204.77	204.59	204.41	204.24	204.21	204.17	204.14	204.10	204.07	204.02	203.98	203.94	203.90	203.87	203.84	203.74	203.65	203.55
--------	--------	--------	--------	--------	--------	--------	--------	--------	--------	--------	--------	--------	--------	--------	--------	--------	--------	--------	--------	--------	--------	--------

PROGRESSIVE PROGETTO

												-3.30	-0.70	0.00	3.75	7.50		12.81	14.06		19.13	
--	--	--	--	--	--	--	--	--	--	--	--	-------	-------	------	------	------	--	-------	-------	--	-------	--

PARZIALI PROGETTO

												2.60	0.70	3.75	3.75	5.31		1.25	5.07			
--	--	--	--	--	--	--	--	--	--	--	--	------	------	------	------	------	--	------	------	--	--	--

QUOTE PROGETTO

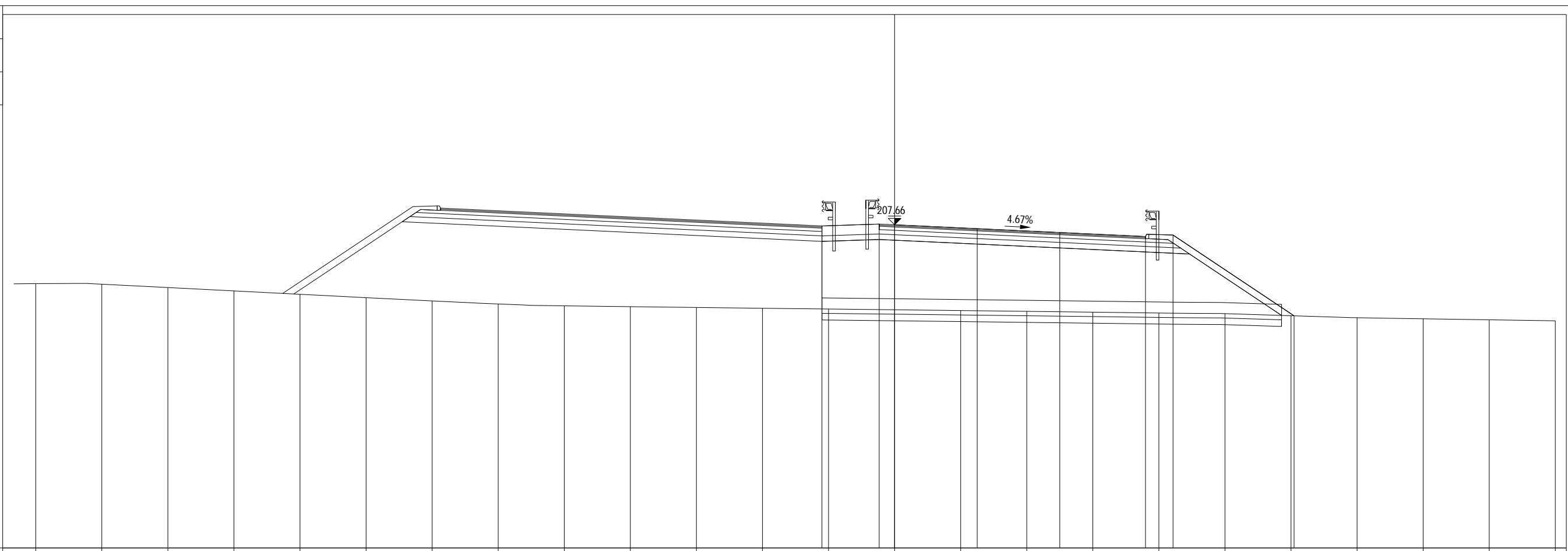
												207.67	207.75	207.72	207.54	207.37		207.12	207.19		203.80	
--	--	--	--	--	--	--	--	--	--	--	--	--------	--------	--------	--------	--------	--	--------	--------	--	--------	--

PROFILO 2.6a\_CUNEO

SEZIONE 251

PROGRESSIVA 4707.55

A RILEVATO	m <sup>2</sup>	55.15
AN ANTICAPILLARE	m <sup>2</sup>	10.45
C BINDER	m <sup>2</sup>	0.60
D BASE	m <sup>2</sup>	1.99
MC MISTO CEMENTATO	m <sup>2</sup>	3.88
MS MISTO STABILIZZATO	m <sup>2</sup>	4.15
VR VEGETALE RIL	m <sup>2</sup>	2.14
a USURA	m	12.10
br BONIFICA	m	20.92
sc SCOTICO	m	20.92
tn TNT	m	20.92



PROGRESSIVE TERRENO

-39.00	-36.00	-33.00	-30.00	-27.00	-24.00	-21.00	-18.00	-15.00	-12.00	-9.00	-6.00	-3.00	0.00	3.00	6.00	9.00	12.00	15.00	18.00	21.00	24.00	27.00	30.00
--------	--------	--------	--------	--------	--------	--------	--------	--------	--------	-------	-------	-------	------	------	------	------	-------	-------	-------	-------	-------	-------	-------

PARZIALI TERRENO

3.00	3.00	3.00	3.00	3.00	3.00	3.00	3.00	3.00	3.00	3.00	3.00	3.00	3.00	3.00	3.00	3.00	3.00	3.00	3.00	3.00	3.00	3.00	3.00
------	------	------	------	------	------	------	------	------	------	------	------	------	------	------	------	------	------	------	------	------	------	------	------

QUOTE TERRENO

204.99	204.96	204.81	204.66	204.51	204.35	204.21	204.07	203.98	203.95	203.91	203.87	203.84	203.80	203.77	203.73	203.70	203.66	203.63	203.53	203.44	203.40	203.35	203.30
--------	--------	--------	--------	--------	--------	--------	--------	--------	--------	--------	--------	--------	--------	--------	--------	--------	--------	--------	--------	--------	--------	--------	--------

PROGRESSIVE PROGETTO

												-3.30	-0.70	0.00		3.75	7.50	11.39	12.64		18.14		
--	--	--	--	--	--	--	--	--	--	--	--	-------	-------	------	--	------	------	-------	-------	--	-------	--	--

PARZIALI PROGETTO

												2.60	0.70	3.75	3.75	3.89	1.25	5.50					
--	--	--	--	--	--	--	--	--	--	--	--	------	------	------	------	------	------	------	--	--	--	--	--

QUOTE PROGETTO

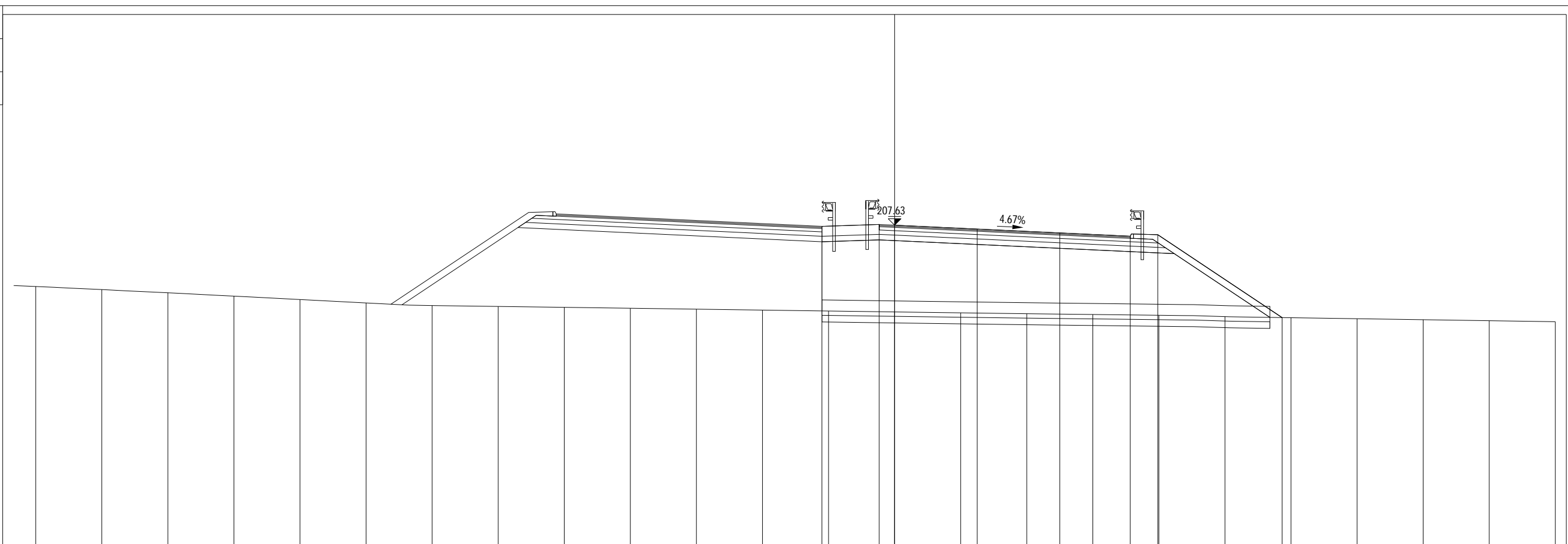
												207.61	207.69	207.66		207.48	207.31	207.13	207.19		203.53		
--	--	--	--	--	--	--	--	--	--	--	--	--------	--------	--------	--	--------	--------	--------	--------	--	--------	--	--

PROFILO 2.6a\_CUNEO

SEZIONE 252

PROGRESSIVA 4713.53

A RILEVATO	m <sup>2</sup>	55.23
AN ANTICAPILLARE	m <sup>2</sup>	10.17
C BINDER	m <sup>2</sup>	0.57
D BASE	m <sup>2</sup>	1.90
MC MISTO CEMENTATO	m <sup>2</sup>	3.74
MS MISTO STABILIZZATO	m <sup>2</sup>	3.96
VR VEGETALE RIL	m <sup>2</sup>	2.19
a USURA	m	11.41
br BONIFICA	m	20.39
sc SCOTICO	m	20.39
tn TNT	m	20.39



PROGRESSIVE TERRENO

-39.00	-36.00	-33.00	-30.00	-27.00	-24.00	-21.00	-18.00	-15.00	-12.00	-9.00	-6.00	-3.00	0.00	3.00	6.00	9.00	12.00	15.00	18.00	21.00	24.00	27.00	30.00
--------	--------	--------	--------	--------	--------	--------	--------	--------	--------	-------	-------	-------	------	------	------	------	-------	-------	-------	-------	-------	-------	-------

PARZIALI TERRENO

3.00	3.00	3.00	3.00	3.00	3.00	3.00	3.00	3.00	3.00	3.00	3.00	3.00	3.00	3.00	3.00	3.00	3.00	3.00	3.00	3.00	3.00	3.00	3.00
------	------	------	------	------	------	------	------	------	------	------	------	------	------	------	------	------	------	------	------	------	------	------	------

QUOTE TERRENO

204.85	204.71	204.56	204.41	204.25	204.10	203.96	203.94	203.90	203.86	203.82	203.77	203.73	203.69	203.65	203.61	203.58	203.54	203.48	203.43	203.38	203.34	203.29	203.25
--------	--------	--------	--------	--------	--------	--------	--------	--------	--------	--------	--------	--------	--------	--------	--------	--------	--------	--------	--------	--------	--------	--------	--------

PROGRESSIVE PROGETTO

												-3.30	-0.70	0.00									
--	--	--	--	--	--	--	--	--	--	--	--	-------	-------	------	--	--	--	--	--	--	--	--	--

PARZIALI PROGETTO

												2.60	0.70	3.75	3.75	3.20	1.25	5.64					
--	--	--	--	--	--	--	--	--	--	--	--	------	------	------	------	------	------	------	--	--	--	--	--

QUOTE PROGETTO

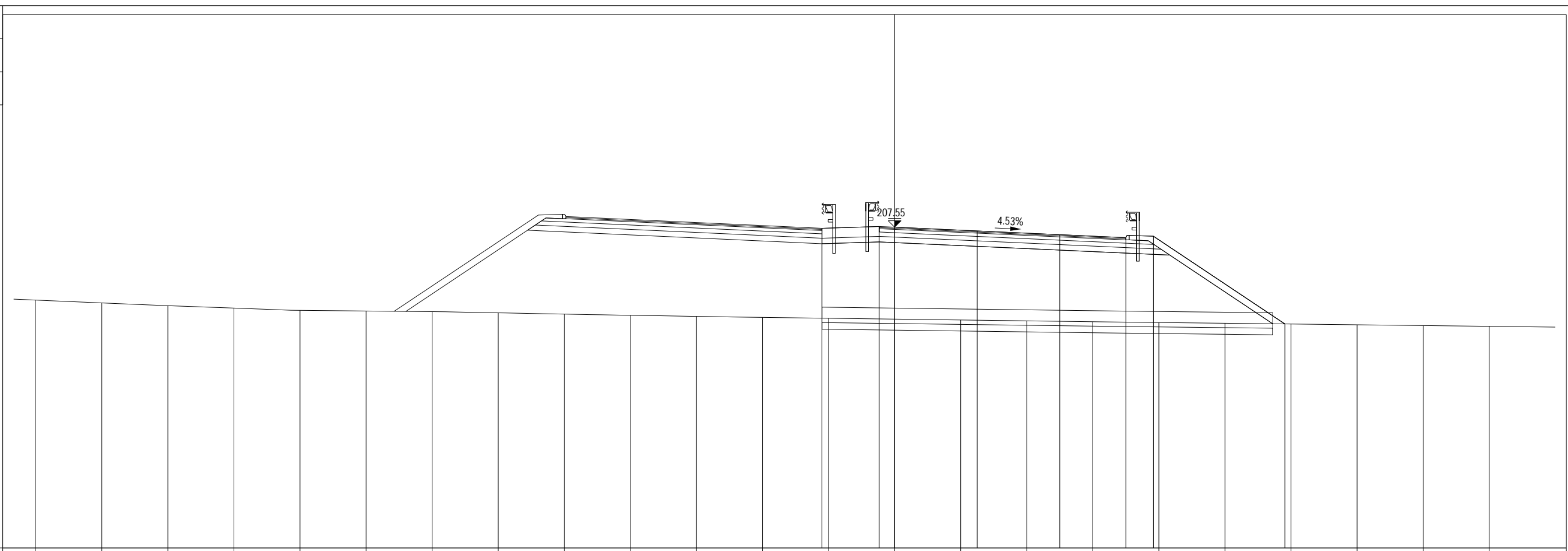
												207.58	207.66	207.63	207.46	207.28	207.13	207.20	208.43				
--	--	--	--	--	--	--	--	--	--	--	--	--------	--------	--------	--------	--------	--------	--------	--------	--	--	--	--

PROFILO 2.6a\_CUNEO

SEZIONE 253

PROGRESSIVA 4729.86

A RILEVATO	m <sup>2</sup>	59.53
AN ANTICAPILLARE	m <sup>2</sup>	10.24
C BINDER	m <sup>2</sup>	0.56
D BASE	m <sup>2</sup>	1.86
MC MISTO CEMENTATO	m <sup>2</sup>	3.71
MS MISTO STABILIZZATO	m <sup>2</sup>	3.91
VR VEGETALE RIL	m <sup>2</sup>	2.30
a USURA	m	11.21
br BONIFICA	m	20.52
sc SCOTICO	m	20.52
tn TNT	m	20.52



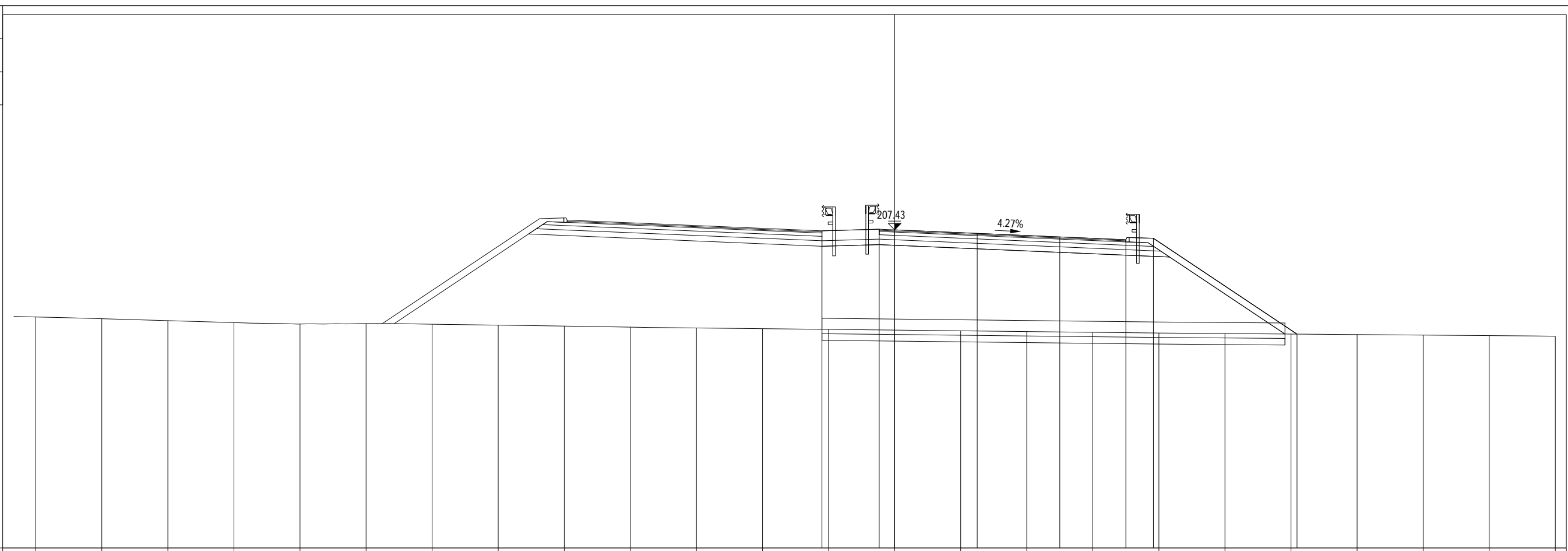
PROGRESSIVE TERRENO	-39.00	-36.00	-33.00	-30.00	-27.00	-24.00	-21.00	-18.00	-15.00	-12.00	-9.00	-6.00	-3.00	0.00	3.00	6.00	9.00	12.00	15.00	18.00	21.00	24.00	27.00
PARZIALI TERRENO		3.00	3.00	3.00	3.00	3.00	3.00	3.00	3.00	3.00	3.00	3.00	3.00	3.00	3.00	3.00	3.00	3.00	3.00	3.00	3.00	3.00	
QUOTE TERRENO	204.24	204.12	203.99	203.88	203.78	203.75	203.72	203.67	203.61	203.55	203.50	203.46	203.42	203.38	203.34	203.30	203.26	203.23	203.19	203.16	203.12	203.09	203.05
PROGRESSIVE PROGETTO													-3.30	-0.70	0.00		3.75	7.50	10.50	11.75		17.72	
PARZIALI PROGETTO													2.60	0.70	3.75	3.75	3.00	1.25	5.97				
QUOTE PROGETTO													207.50	207.58	207.55		207.38	207.21	207.08	207.14		203.16	

PROFILO 2.6a\_CUNEO

SEZIONE 254

PROGRESSIVA 4754.78

A RILEVATO	m <sup>2</sup>	67.39
AN ANTICAPILLARE	m <sup>2</sup>	10.53
C BINDER	m <sup>2</sup>	0.56
D BASE	m <sup>2</sup>	1.86
MC MISTO CEMENTATO	m <sup>2</sup>	3.71
MS MISTO STABILIZZATO	m <sup>2</sup>	3.91
VR VEGETALE RIL	m <sup>2</sup>	2.53
a USURA	m	11.21
br BONIFICA	m	21.07
sc SCOTICO	m	21.07
tn TNT	m	21.07



PROGRESSIVE TERRENO

-39.00	-36.00	-33.00	-30.00	-27.00	-24.00	-21.00	-18.00	-15.00	-12.00	-9.00	-6.00	-3.00	0.00	3.00	6.00	9.00	12.00	15.00	18.00	21.00	24.00	27.00	30.00
--------	--------	--------	--------	--------	--------	--------	--------	--------	--------	-------	-------	-------	------	------	------	------	-------	-------	-------	-------	-------	-------	-------

PARZIALI TERRENO

3.00	3.00	3.00	3.00	3.00	3.00	3.00	3.00	3.00	3.00	3.00	3.00	3.00	3.00	3.00	3.00	3.00	3.00	3.00	3.00	3.00	3.00	3.00	3.00
------	------	------	------	------	------	------	------	------	------	------	------	------	------	------	------	------	------	------	------	------	------	------	------

QUOTE TERRENO

203.48	203.40	203.31	203.22	203.16	203.18	203.15	203.11	203.06	203.02	202.98	202.95	202.92	202.88	202.85	202.82	202.78	202.75	202.73	202.70	202.68	202.66	202.63	202.61
--------	--------	--------	--------	--------	--------	--------	--------	--------	--------	--------	--------	--------	--------	--------	--------	--------	--------	--------	--------	--------	--------	--------	--------

PROGRESSIVE PROGETTO

												-3.30	-0.70	0.00	3.75	7.50	10.50	11.75	18.27				
--	--	--	--	--	--	--	--	--	--	--	--	-------	-------	------	------	------	-------	-------	-------	--	--	--	--

PARZIALI PROGETTO

												2.60	0.70	3.75	3.75	3.00	1.25	6.52					
--	--	--	--	--	--	--	--	--	--	--	--	------	------	------	------	------	------	------	--	--	--	--	--

QUOTE PROGETTO

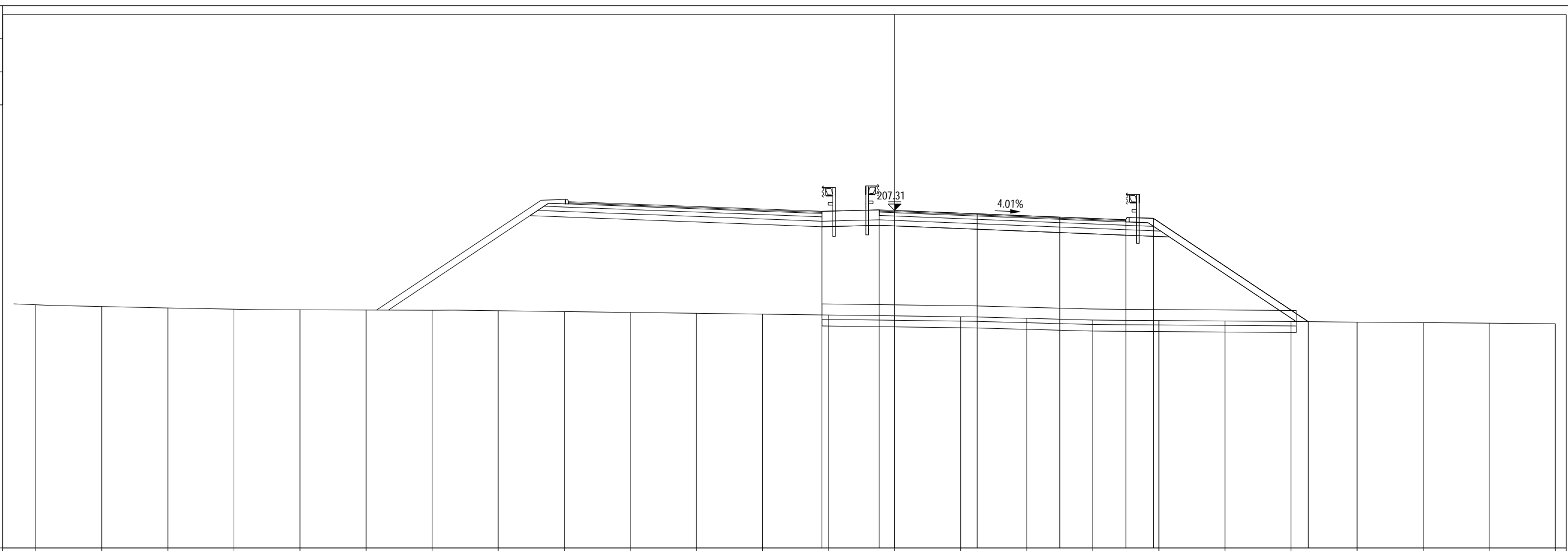
												207.39	207.46	207.43	207.27	207.11	206.98	207.05	202.70				
--	--	--	--	--	--	--	--	--	--	--	--	--------	--------	--------	--------	--------	--------	--------	--------	--	--	--	--

PROFILO 2.6a\_CUNEO

SEZIONE 255

PROGRESSIVA 4779.71

A RILEVATO	m <sup>2</sup>	73.79
AN ANTICAPILLARE	m <sup>2</sup>	10.78
C BINDER	m <sup>2</sup>	0.56
D BASE	m <sup>2</sup>	1.87
MC MISTO CEMENTATO	m <sup>2</sup>	3.70
MS MISTO STABILIZZATO	m <sup>2</sup>	3.91
VR VEGETALE RIL	m <sup>2</sup>	2.69
a USURA	m	11.21
br BONIFICA	m	21.58
sc SCOTICO	m	21.58
tn TNT	m	21.58



PROGRESSIVE TERRENO

-39.00	-36.00	-33.00	-30.00	-27.00	-24.00	-21.00	-18.00	-15.00	-12.00	-9.00	-6.00	-3.00	0.00	3.00	6.00	9.00	12.00	15.00	18.00	21.00	24.00	27.00	30.00
--------	--------	--------	--------	--------	--------	--------	--------	--------	--------	-------	-------	-------	------	------	------	------	-------	-------	-------	-------	-------	-------	-------

PARZIALI TERRENO

3.00	3.00	3.00	3.00	3.00	3.00	3.00	3.00	3.00	3.00	3.00	3.00	3.00	3.00	3.00	3.00	3.00	3.00	3.00	3.00	3.00	3.00	3.00	3.00
------	------	------	------	------	------	------	------	------	------	------	------	------	------	------	------	------	------	------	------	------	------	------	------

QUOTE TERRENO

203.03	202.95	202.89	202.83	202.80	202.79	202.78	202.76	202.72	202.68	202.64	202.61	202.57	202.53	202.49	202.42	202.34	202.32	202.29	202.27	202.24	202.22	202.20	202.17
--------	--------	--------	--------	--------	--------	--------	--------	--------	--------	--------	--------	--------	--------	--------	--------	--------	--------	--------	--------	--------	--------	--------	--------

PROGRESSIVE PROGETTO

												-3.30	-0.70	0.00	3.75	7.50	10.50	11.75		18.78			
--	--	--	--	--	--	--	--	--	--	--	--	-------	-------	------	------	------	-------	-------	--	-------	--	--	--

PARZIALI PROGETTO

												2.60	0.70	3.75	3.75	3.00	1.25	7.03					
--	--	--	--	--	--	--	--	--	--	--	--	------	------	------	------	------	------	------	--	--	--	--	--

QUOTE PROGETTO

												207.27	207.34	207.31	207.16	207.01	206.89	206.95		202.27			
--	--	--	--	--	--	--	--	--	--	--	--	--------	--------	--------	--------	--------	--------	--------	--	--------	--	--	--

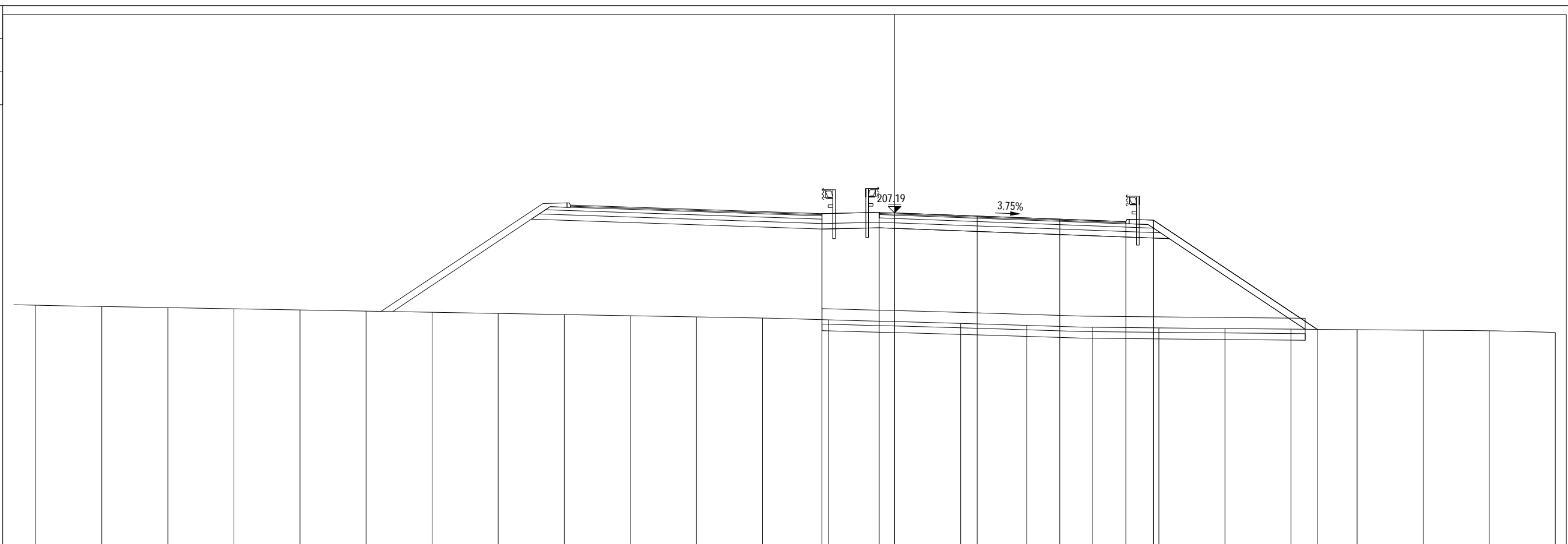


PROFILO 2.6a\_CUNEO

SEZIONE 256

PROGRESSIVA 4804.66

A RILEVATO	m <sup>2</sup>	78.49
AN ANTICAPILLARE	m <sup>2</sup>	11.00
C BINDER	m <sup>2</sup>	0.56
D BASE	m <sup>2</sup>	1.86
MC MISTO CEMENTATO	m <sup>2</sup>	3.70
MS MISTO STABILIZZATO	m <sup>2</sup>	3.90
VR VEGETALE RIL	m <sup>2</sup>	2.87
a USURA	m	11.21
br BONIFICA	m	21.99
sc SCOTICO	m	21.99
tn TNT	m	21.99



PROGRESSIVE TERRENO

-39.00	-36.00	-33.00	-30.00	-27.00	-24.00	-21.00	-18.00	-15.00	-12.00	-9.00	-6.00	-3.00	0.00	3.00	6.00	9.00	12.00	15.00	18.00	21.00	24.00	27.00	30.00
--------	--------	--------	--------	--------	--------	--------	--------	--------	--------	-------	-------	-------	------	------	------	------	-------	-------	-------	-------	-------	-------	-------

PARZIALI TERRENO

3.00	3.00	3.00	3.00	3.00	3.00	3.00	3.00	3.00	3.00	3.00	3.00	3.00	3.00	3.00	3.00	3.00	3.00	3.00	3.00	3.00	3.00	3.00	3.00
------	------	------	------	------	------	------	------	------	------	------	------	------	------	------	------	------	------	------	------	------	------	------	------

QUOTE TERRENO

203.00	202.94	202.89	202.83	202.78	202.73	202.68	202.62	202.57	202.52	202.47	202.41	202.33	202.25	202.17	202.08	202.00	201.97	201.94	201.91	201.88	201.86	201.84	201.76
--------	--------	--------	--------	--------	--------	--------	--------	--------	--------	--------	--------	--------	--------	--------	--------	--------	--------	--------	--------	--------	--------	--------	--------

PROGRESSIVE PROGETTO

												-3.30	-0.70	0.00	3.75	7.50	10.50	11.75		19.19			
--	--	--	--	--	--	--	--	--	--	--	--	-------	-------	------	------	------	-------	-------	--	-------	--	--	--

PARZIALI PROGETTO

												2.60	0.70	3.75	3.75	3.00	1.25	7.44					
--	--	--	--	--	--	--	--	--	--	--	--	------	------	------	------	------	------	------	--	--	--	--	--

QUOTE PROGETTO

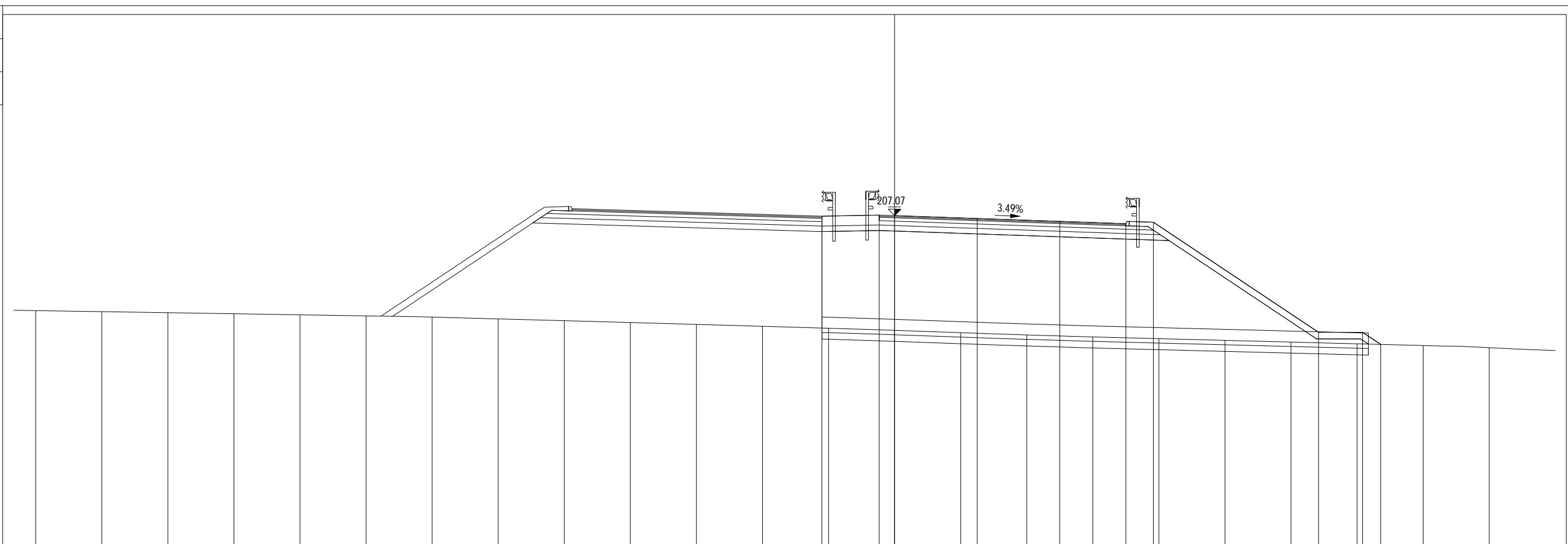
												207.16	207.21	207.19	207.05	206.91	206.79	206.86		201.90			
--	--	--	--	--	--	--	--	--	--	--	--	--------	--------	--------	--------	--------	--------	--------	--	--------	--	--	--

PROFILO 2.6a\_CUNEO

SEZIONE 257

PROGRESSIVA 4829.62

A RILEVATO	m <sup>2</sup>	87.07
AN ANTICAPILLARE	m <sup>2</sup>	12.35
C BINDER	m <sup>2</sup>	0.56
D BASE	m <sup>2</sup>	1.87
MC MISTO CEMENTATO	m <sup>2</sup>	3.69
MS MISTO STABILIZZATO	m <sup>2</sup>	3.90
VR VEGETALE RIL	m <sup>2</sup>	3.46
a USURA	m	11.21
br BONIFICA	m	24.67
sc SCOTICO	m	24.67
tn TNT	m	24.67



PROGRESSIVE TERRENO

-39.00	-36.00	-33.00	-30.00	-27.00	-24.00	-21.00	-18.00	-15.00	-12.00	-9.00	-6.00	-3.00	0.00	3.00	6.00	9.00	12.00	15.00	18.00	21.00	24.00	27.00
--------	--------	--------	--------	--------	--------	--------	--------	--------	--------	-------	-------	-------	------	------	------	------	-------	-------	-------	-------	-------	-------

PARZIALI TERRENO

3.00	3.00	3.00	3.00	3.00	3.00	3.00	3.00	3.00	3.00	3.00	3.00	3.00	3.00	3.00	3.00	3.00	3.00	3.00	3.00	3.00	3.00	3.00
------	------	------	------	------	------	------	------	------	------	------	------	------	------	------	------	------	------	------	------	------	------	------

QUOTE TERRENO

202.75	202.70	202.66	202.61	202.56	202.51	202.46	202.37	202.29	202.21	202.12	202.04	201.95	201.85	201.75	201.65	201.56	201.48	201.40	201.32	201.24	201.17	201.07
--------	--------	--------	--------	--------	--------	--------	--------	--------	--------	--------	--------	--------	--------	--------	--------	--------	--------	--------	--------	--------	--------	--------

PROGRESSIVE PROGETTO

												-3.30	-0.70	0.00	3.75	7.50	10.50	11.75		19.25	21.25	22.07
--	--	--	--	--	--	--	--	--	--	--	--	-------	-------	------	------	------	-------	-------	--	-------	-------	-------

PARZIALI PROGETTO

												2.60	0.70	3.75	3.75	3.00	1.25	7.50		2.00	0.82	
--	--	--	--	--	--	--	--	--	--	--	--	------	------	------	------	------	------	------	--	------	------	--

QUOTE PROGETTO

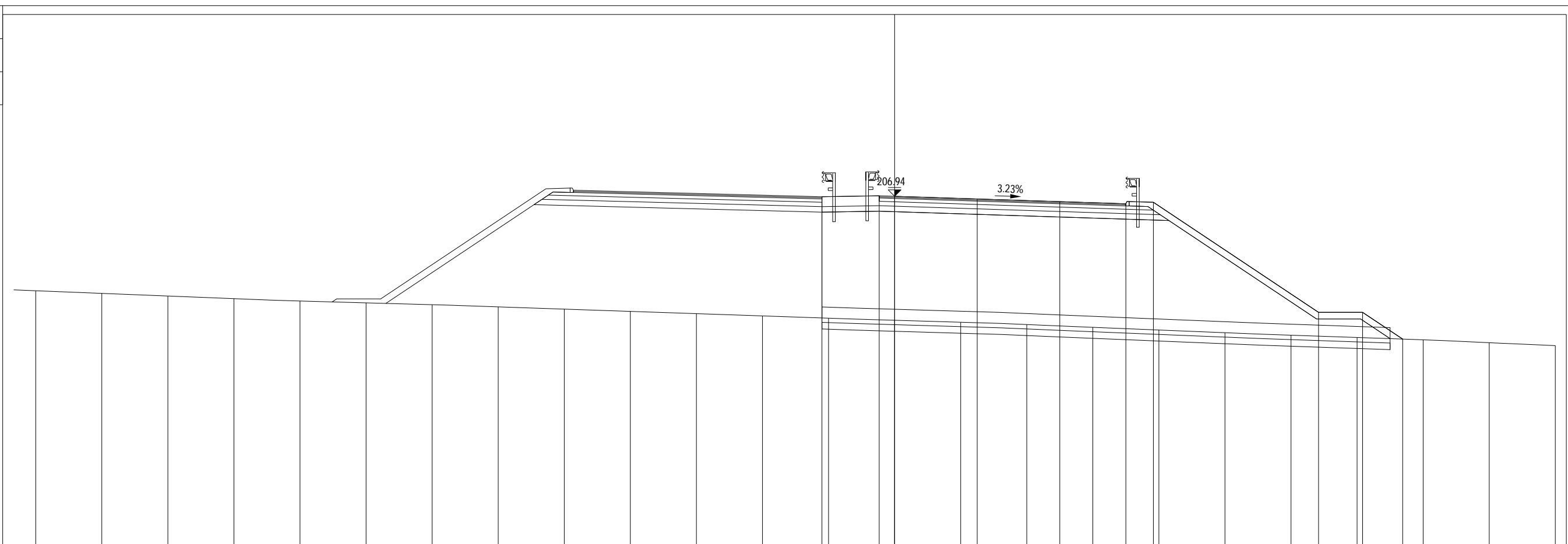
												207.04	207.09	207.07	206.93	206.80	206.70	206.77		201.77	201.77	201.22
--	--	--	--	--	--	--	--	--	--	--	--	--------	--------	--------	--------	--------	--------	--------	--	--------	--------	--------

PROFILO 2.6a\_CUNEO

SEZIONE 258

PROGRESSIVA 4854.59

A RILEVATO	m <sup>2</sup>	99.41
AN ANTICAPILLARE	m <sup>2</sup>	12.82
C BINDER	m <sup>2</sup>	0.56
D BASE	m <sup>2</sup>	1.87
MC MISTO CEMENTATO	m <sup>2</sup>	3.70
MS MISTO STABILIZZATO	m <sup>2</sup>	3.90
VR VEGETALE RIL	m <sup>2</sup>	3.84
a USURA	m	11.21
br BONIFICA	m	25.66
sc SCOTICO	m	25.66
tn TNT	m	25.66



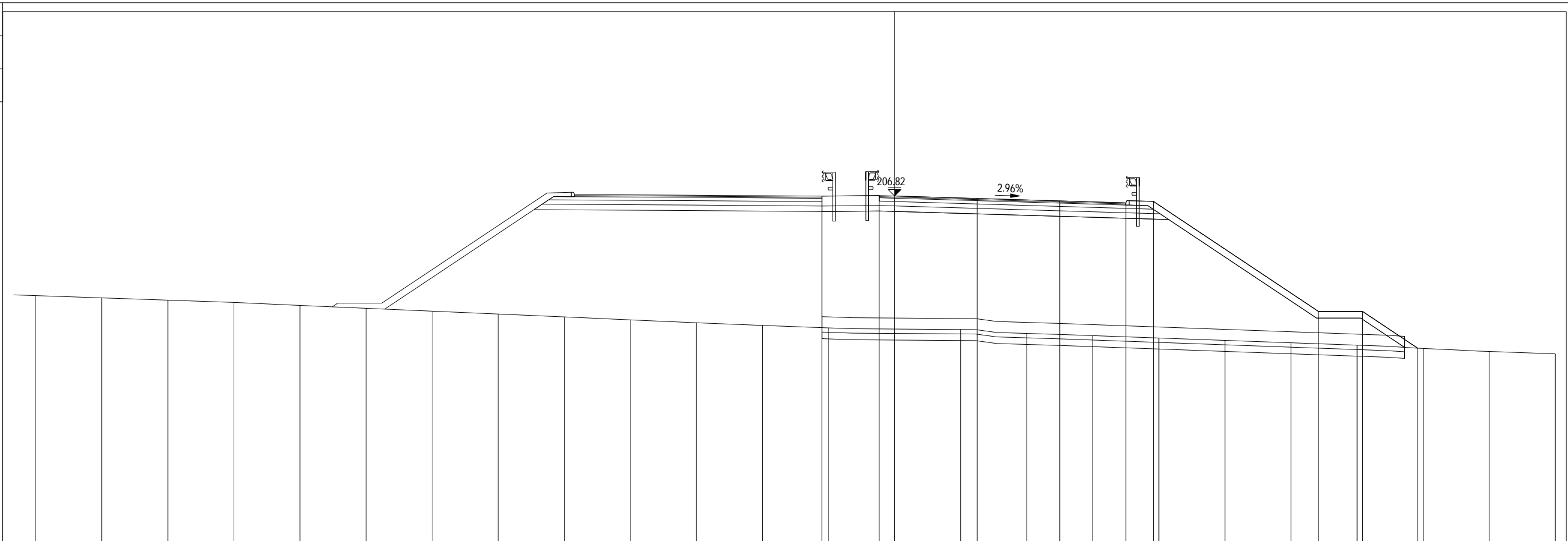
PROGRESSIVE TERRENO	-39.00	-36.00	-33.00	-30.00	-27.00	-24.00	-21.00	-18.00	-15.00	-12.00	-9.00	-6.00	-3.00	0.00	3.00	6.00	9.00	12.00	15.00	18.00	21.00	24.00	27.00	30.00
PARZIALI TERRENO		3.00	3.00	3.00	3.00	3.00	3.00	3.00	3.00	3.00	3.00	3.00	3.00	3.00	3.00	3.00	3.00	3.00	3.00	3.00	3.00	3.00	3.00	3.00
QUOTE TERRENO	202.65	202.53	202.41	202.29	202.19	202.10	202.02	201.92	201.82	201.72	201.61	201.51	201.41	201.31	201.22	201.12	200.99	200.87	200.75	200.63	200.53	200.42	200.29	200.16
PROGRESSIVE PROGETTO													-3.30	-0.70	0.00	3.75	7.50	10.50	11.75		19.25	21.25	23.07	
PARZIALI PROGETTO													2.60	0.70	3.75	3.75	3.00	1.25	7.50		2.00	1.82		
QUOTE PROGETTO													206.92	206.97	206.94	206.82	206.70	206.60	206.67		201.67	201.67	200.46	

PROFILO 2.6a\_CUNEO

SEZIONE 259

PROGRESSIVA 4879.57

A RILEVATO	m <sup>2</sup>	109.93
AN ANTICAPILLARE	m <sup>2</sup>	13.17
C BINDER	m <sup>2</sup>	0.56
D BASE	m <sup>2</sup>	1.86
MC MISTO CEMENTATO	m <sup>2</sup>	3.70
MS MISTO STABILIZZATO	m <sup>2</sup>	3.90
VR VEGETALE RIL	m <sup>2</sup>	4.14
a USURA	m	11.20
br BONIFICA	m	26.33
sc SCOTICO	m	26.33
tn TNT	m	26.31



PROGRESSIVE TERRENO

-39.00	-36.00	-33.00	-30.00	-27.00	-24.00	-21.00	-18.00	-15.00	-12.00	-9.00	-6.00	-3.00	0.00	3.00	6.00	9.00	12.00	15.00	18.00	21.00	24.00	27.00	30.00
--------	--------	--------	--------	--------	--------	--------	--------	--------	--------	-------	-------	-------	------	------	------	------	-------	-------	-------	-------	-------	-------	-------

PARZIALI TERRENO

3.00	3.00	3.00	3.00	3.00	3.00	3.00	3.00	3.00	3.00	3.00	3.00	3.00	3.00	3.00	3.00	3.00	3.00	3.00	3.00	3.00	3.00	3.00	3.00
------	------	------	------	------	------	------	------	------	------	------	------	------	------	------	------	------	------	------	------	------	------	------	------

QUOTE TERRENO

202.30	202.20	202.09	201.99	201.85	201.72	201.59	201.46	201.33	201.20	201.07	200.94	200.83	200.78	200.76	200.58	200.48	200.37	200.26	200.16	200.05	199.90	199.76	199.65
--------	--------	--------	--------	--------	--------	--------	--------	--------	--------	--------	--------	--------	--------	--------	--------	--------	--------	--------	--------	--------	--------	--------	--------

PROGRESSIVE PROGETTO

												-3.30	-0.70	0.00	3.75	7.50	10.50	11.75		19.25	21.25	23.75	
--	--	--	--	--	--	--	--	--	--	--	--	-------	-------	------	------	------	-------	-------	--	-------	-------	-------	--

PARZIALI PROGETTO

												2.60	0.70	3.75	3.75	3.00	1.25	7.50		2.00	2.50		
--	--	--	--	--	--	--	--	--	--	--	--	------	------	------	------	------	------	------	--	------	------	--	--

QUOTE PROGETTO

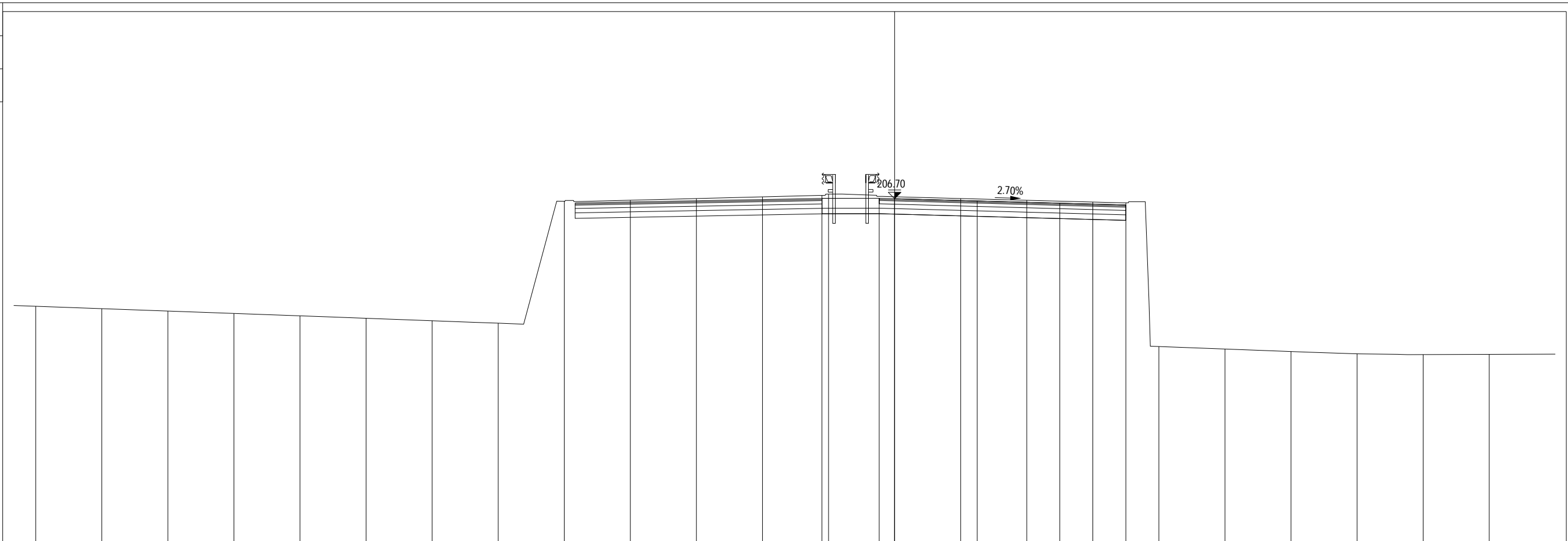
												206.82	206.84	206.82	206.71	206.60	206.51	206.58		201.58	201.58	199.91	
--	--	--	--	--	--	--	--	--	--	--	--	--------	--------	--------	--------	--------	--------	--------	--	--------	--------	--------	--

PROFILO 2.6a\_CUNEO

SEZIONE 260

PROGRESSIVA 4904.56

B SCAVO m<sup>2</sup> 11.13  
 C BINDER m<sup>2</sup> 0.56  
 D BASE m<sup>2</sup> 1.68  
 MC MISTO CEMENTATO m<sup>2</sup> 3.41  
 MS MISTO STABILIZZATO m<sup>2</sup> 3.45  
 a USURA m 11.20



191  
 200

PROGRESSIVE TERRENO	-39.00	-36.00	-33.00	-30.00	-27.00	-24.00	-21.00	-18.00	-15.00	-12.00	-9.00	-6.00	-3.00	0.00	3.00	6.00	9.00	12.00	15.00	18.00	21.00	24.00	27.00
PARZIALI TERRENO		3.00	3.00	3.00	3.00	3.00	3.00	3.00	3.00	3.00	3.00	3.00	3.00	3.00	3.00	3.00	3.00	3.00	3.00	3.00	3.00	3.00	3.00
QUOTE TERRENO	201.81	201.71	201.60	201.49	201.38	201.27	201.16	201.05	206.58	206.63	206.71	206.78	206.91	206.79	206.71	206.63	206.55	199.99	199.87	199.76	199.66	199.62	199.63
PROGRESSIVE PROGETTO													-3.30	-0.70	0.00	3.75	7.50	10.50					
PARZIALI PROGETTO													2.60	0.70	3.75	3.75	3.00						
QUOTE PROGETTO													206.72	206.72	206.70	206.60	206.50	206.42					