

NUOVA S.S. 341 "GALLARATESE" - TRATTO DA SAMARATE A CONFINE
CON LA PROVINCIA DI NOVARA - TRATTO NORD

STRALCIO FUNZIONALE DAL KM 6+500 (SVINCOLO S.S. 336 NORD)
AL KM 8+844 (SVINCOLO AUTOSTRADA A8)
"BRETELLA DI GALLARATE"

PROGETTO ESECUTIVO

| | | | | |
|---|---|--|---|--|
|  Ing. Renato Vaira (Ordine degli Ingg. di Torino e Provincia n° 4663 W) |  Ing. Valerio Bajetti Ordine degli Ingg. di Roma e provincia n° A-26211 | ING. RENATO DEL PRETE Ing. Renato Del Prete Ordine degli Ingg. di Bari e provincia n° 5073 |  Arch. Nicoletta Frattini Ordine degli Arch. di Torino e provincia n° A-8433 |  Ing. Gabriele Incecchi Ordine degli Ingg. di Roma e provincia n° A-12102 |
| |  Società designata: GA&M Prof. Ing. Matteo Ranieri Ordine degli Ingg. di Bari e provincia n° 1137 |  Servizi & Engineering Trasporti Ambiente Costruzioni Prof. Ing. Luigi Monterisi Ordine degli Ingg. di Bari e provincia n° 1771 |  Ing. Gioacchino Angarano Ordine degli Ingg. di Bari e provincia n° 5970 | DOTT. GEOL. DANILO GALLO Dott. Geol. Danilo Gallo Ordine dei Geologi della Regione Puglia n° 588 |

| | | | | |
|---|---|---|--|--|
| VISTO: IL RESPONSABILE DEL PROCEDIMENTO Dott. Ing. Giancarlo LUONGO | RESPONSABILE INTEGRAZIONE DELLE PRESTAZIONI SPECIALISTICHE  Ing. Renato DEL PRETE | IL PROGETTISTA FIRMATARIO DELLA PRESTAZIONE  Ing. Valerio BAJETTI | GEOLOGO  Prof. Ing. Geol. Luigi MONTERISI | COORDINATORE DELLA SICUREZZA IN FASE DI PROGETTAZIONE  Ing. Gaetano RANIERI |
|---|---|---|--|--|

| | |
|-----------------|--|
| <h1>DB 340</h1> | <h2>D-PROGETTO STRADALE</h2> <h3>DB - SVINCOLI - DB-3 - SVINCOLO A8/PEDEMONTANA LOMBARDA</h3> <p>Sezioni trasversali Rampa B</p> |
|-----------------|--|

| | | | | |
|--|-------------|---|-----------------------|----------------------|
| CODICE PROGETTO PROGETTO LIV. PROG. N. PROG. M 1533 E 1801 | | NOME FILE DB340_V03PS00TRASZ03_A.dwg | REVISIONE A | SCALA: 1:200 |
| CODICE ELAB. V03PS00TRASZ03 | | | | |
| D | | | | |
| C | | | | |
| B | | | | |
| A | EMISSIONE | OTTOBRE 2020 | ING. AURORA LUISI | ING. VALERIO BAJETTI |
| REV. | DESCRIZIONE | DATA | REDATTO | VERIFICATO |
| | | | | APPROVATO |

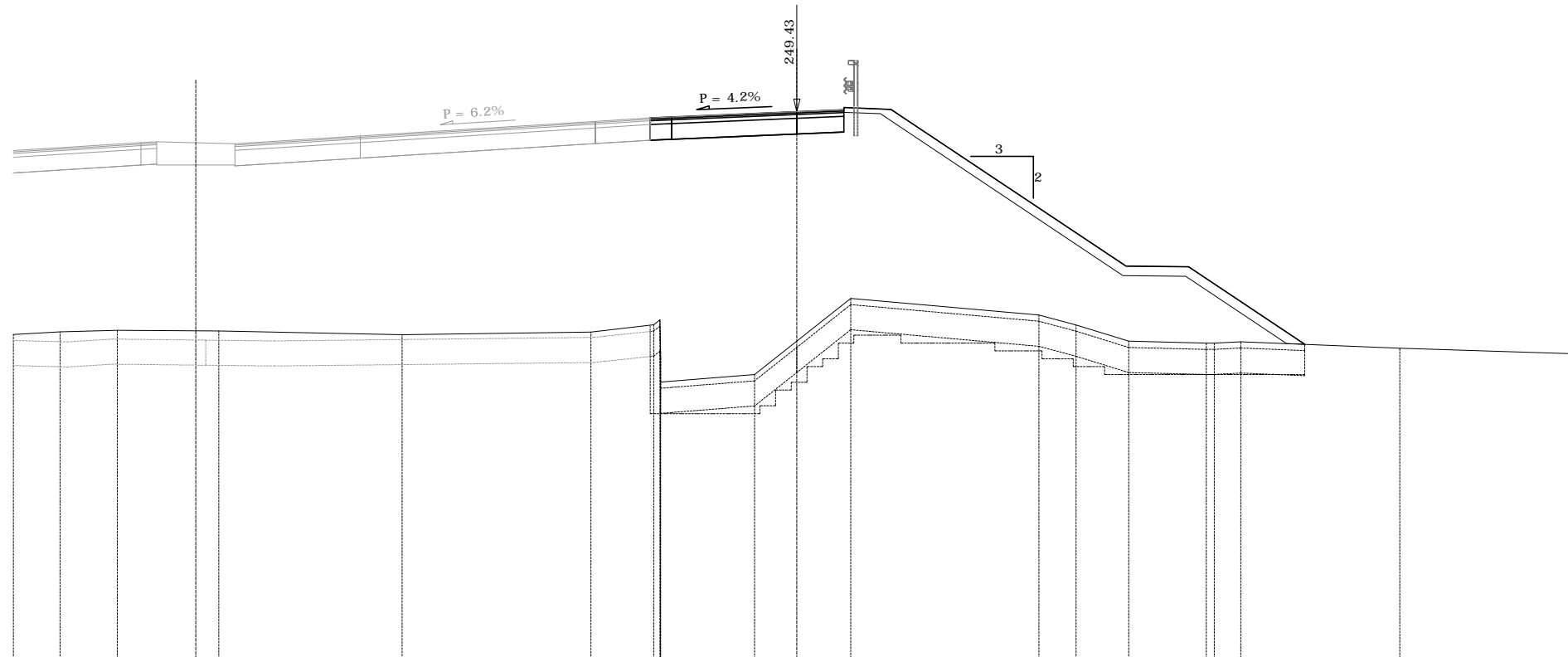
SEZIONE N. 107 SEZIONE N. B(A8)-4

QP = 248.44 PROGR. 46.20
 QP = 249.43 QP = 249.43

ml 0.52 da sez.n. B(A8)-3 ← → ml 1.70 a sez.n. B(A8)-5

| SEZIONE N. B(A8)-4 | |
|--------------------------|-------|
| Rilevato (mq) | 87.83 |
| Scavo (mq) | 0.00 |
| Scotico (m) | 20.88 |
| Bonifica (mq) | 16.71 |
| Ammorsamento (mq) | 4.32 |
| Terreno vegetale sx (mq) | 0.00 |
| Terreno vegetale dx (mq) | 4.80 |
| Usura drenante (m) | 6.19 |
| Binder (m) | 6.19 |
| Base bitumata (m) | 6.19 |
| Base cementata (m) | 6.19 |
| Fondazione (m) | 6.19 |

ASSE PRINCIPALE



| | | | | | | | | | | | | | | | | | | | | | | | | | | | |
|----------------|-------------------|---------|---------|---------|---------|---------|---------|---------|---------|---------|---------|---------|---------|---------|---------|---------|---------|---------|---------|---------|---------|---------|---------|---------|---------|---------|---------|
| Terreno | Dist. parziali | 1.49 | 1.83 | 0.76 | 0.50 | 1.25 | 0.74 | 0.51 | 0.50 | 3.50 | 1.33 | 6.03 | 1.75 | 2.65 | 1.35 | 1.50 | 1.28 | 4.72 | 1.18 | 1.59 | 1.91 | 0.56 | 0.85 | 2.04 | 3.03 | 5.76 | |
| | Dist. progressive | -242.33 | -242.41 | -242.46 | -242.46 | -242.45 | -242.45 | -242.44 | -242.43 | -242.42 | -242.35 | -242.32 | -242.12 | -242.08 | -242.05 | -241.95 | -241.80 | -241.62 | -241.45 | -241.27 | -241.12 | -240.93 | -240.75 | -240.57 | -240.37 | -240.17 | -238.41 |
| Progetto | Dist. parziali | | | 0.50 | 1.25 | 1.25 | 0.50 | 3.50 | 7.50 | 1.75 | 0.08 | 4.00 | 1.50 | 1.50 | 7.50 | 2.00 | 3.71 | | | | | | | | | | |
| | Dist. progressive | -248.44 | -248.44 | -248.44 | -248.44 | -248.44 | -248.44 | -248.44 | -248.44 | -248.44 | -249.13 | -249.68 | -249.50 | -249.57 | -249.51 | -244.51 | -244.49 | -242.02 | -241.89 | -241.71 | -241.53 | -241.35 | -241.17 | -240.99 | -240.81 | -240.63 | -238.87 |
| Quote Terreno | | -242.33 | -242.41 | -242.46 | -242.46 | -242.45 | -242.45 | -242.44 | -242.43 | -242.42 | -242.35 | -242.32 | -242.12 | -242.08 | -242.05 | -241.95 | -241.80 | -241.62 | -241.45 | -241.27 | -241.12 | -240.93 | -240.75 | -240.57 | -240.37 | -240.17 | -238.41 |
| Quote Progetto | | -248.44 | -248.44 | -248.44 | -248.44 | -248.44 | -248.44 | -248.44 | -248.44 | -248.44 | -249.13 | -249.68 | -249.50 | -249.57 | -249.51 | -244.51 | -244.49 | -242.02 | -241.89 | -241.71 | -241.53 | -241.35 | -241.17 | -240.99 | -240.81 | -240.63 | -238.87 |

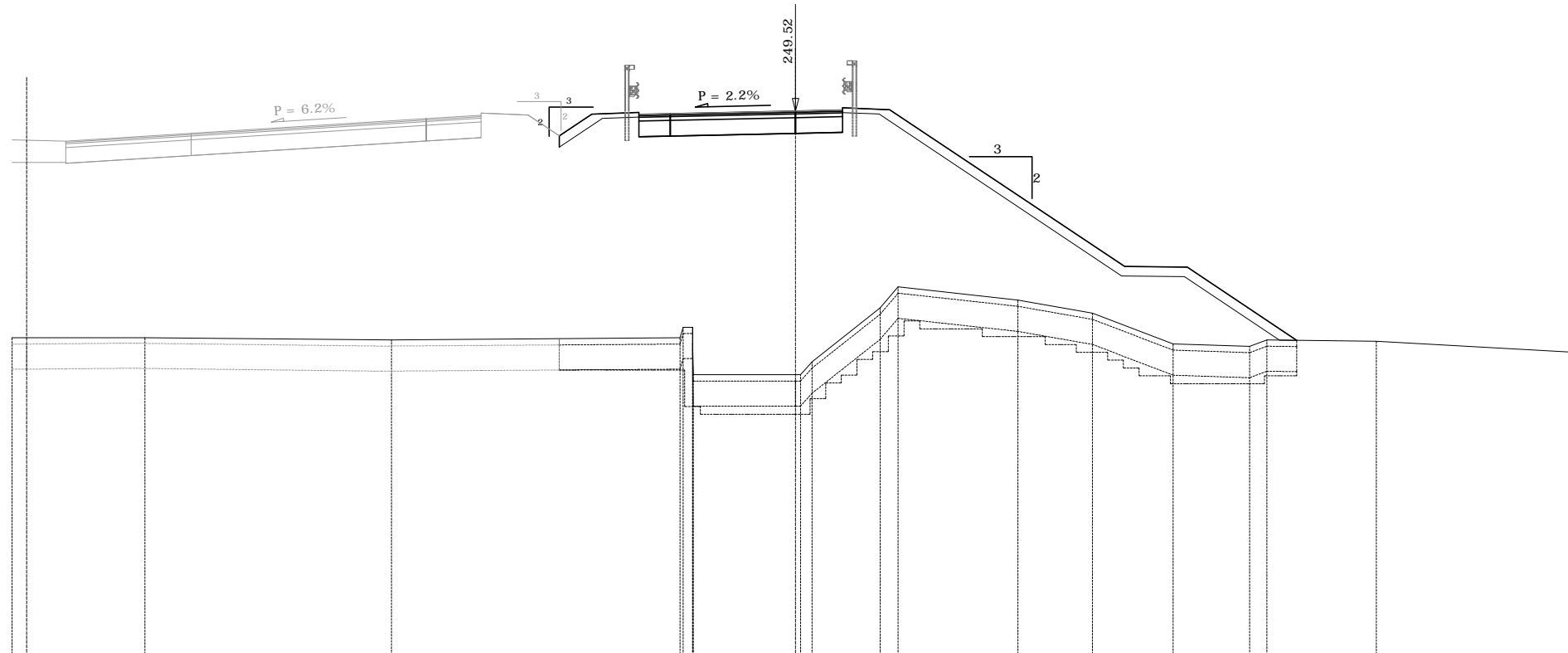
SEZIONE N. 109 SEZIONE N. B(A8)-6

QP = 248.59 Progr. 70.50
 QP = 249.52 QP = 249.52

ml 22.60 da sez.n. B(A8)-5 ml 25.15 a sez.n. B(A8)-7

| SEZIONE N. B(A8)-6 | |
|--------------------------|--------|
| Rilevato (mq) | 105.21 |
| Scavo (mq) | 0.00 |
| Scotico (m) | 23.52 |
| Bonifica (mq) | 22.68 |
| Ammorsamento (mq) | 5.26 |
| Terreno vegetale sx (mq) | 0.64 |
| Terreno vegetale dx (mq) | 4.73 |
| Usura drenante (m) | 6.50 |
| Binder (m) | 6.50 |
| Base bitumata (m) | 6.50 |
| Base cementata (m) | 6.50 |
| Fondazione (m) | 6.50 |

ASSE PRINCIPALE



| Terreno | Dist. parziali | | Dist. progressive | | Quote Terreno |
|----------|----------------|------|-------------------|------|----------------|
| | 0.46 | 1.25 | 2.03 | 1.47 | |
| Progetto | Dist. parziali | | Dist. progressive | | Quote Progetto |
| | 1.25 | 0.50 | 3.50 | 7.50 | |

SEZIONE N. B(A8)-8

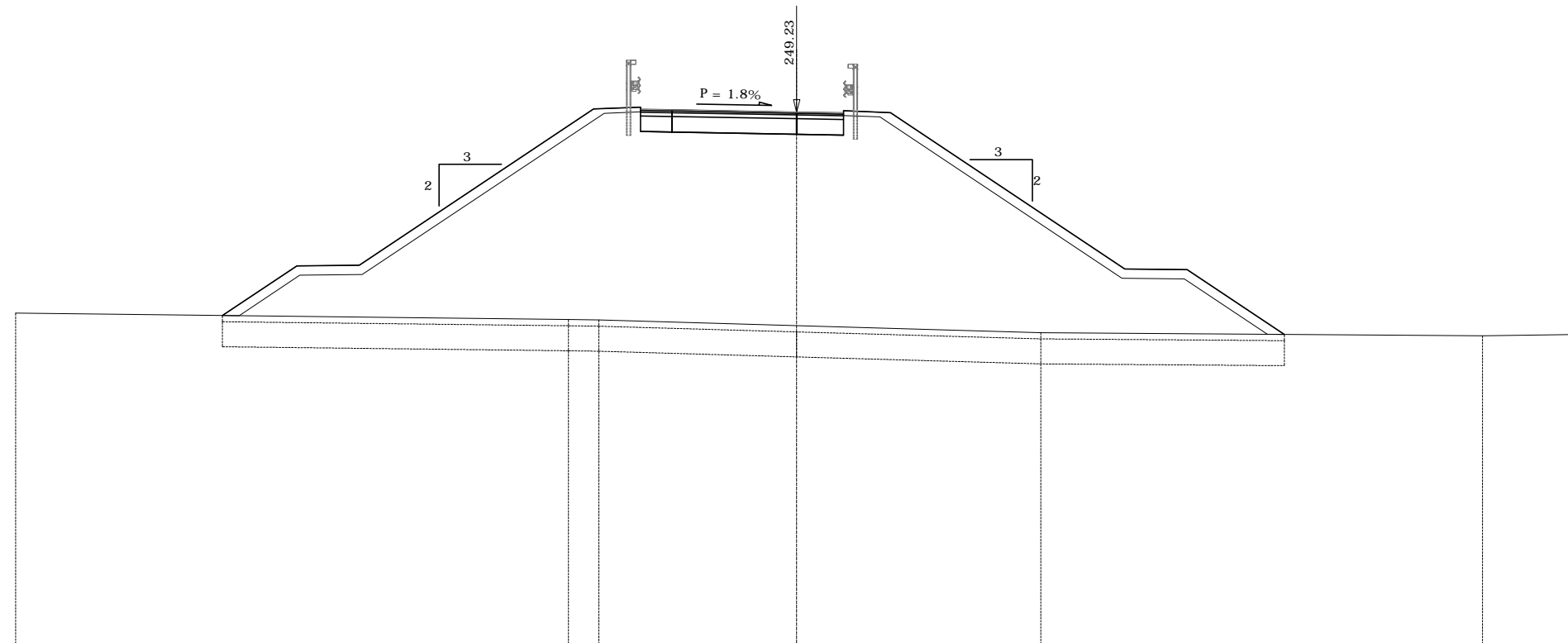
PROGR. 120.25

QP = 249.23

ml 24.59 da sez.n. B(A8)-7 ← → ml 19.75 a sez.n. B(A8)-9

SEZIONE N. B(A8)-8

| | |
|--------------------------|--------|
| Rilevato (mq) | 129.00 |
| Scavo (mq) | 0.00 |
| Scotico (m) | 33.99 |
| Bonifica (mq) | 27.20 |
| Ammorsamento (mq) | 0.00 |
| Terreno vegetale sx (mq) | 4.33 |
| Terreno vegetale dx (mq) | 4.59 |
| Usura drenante (m) | 6.50 |
| Binder (m) | 6.50 |
| Base bitumata (m) | 6.50 |
| Base cementata (m) | 6.50 |
| Fondazione (m) | 6.50 |



| | | | | | | | | | | | | | | | | | | | | | | | | | | | | | | | | | | | | | |
|----------------|-------------------|---------|--------|---------|-------|---------|-------|---------|-------|---------|------|---------|------|---------|------|---------|------|---------|------|---------|------|---------|------|---------|-------|---------|-------|---------|-------|--------|-------|--------|-------|--------|-------|--------|-------|
| Terreno | Dist. parziali | | 6.62 | 2.38 | 2.00 | 6.69 | 0.80 | 1.33 | 1.00 | 4.00 | 1.50 | 1.50 | 4.81 | 2.69 | 2.00 | 3.11 | 6.34 | 3.05 | | | | | | | | | | | | | | | | | | | |
| | Dist. progressive | -242.80 | -25.00 | | | | | | | | | | | | | | | | | | | | | | | | | | | | | | | | | | |
| Quote Terreno | | -242.80 | -25.00 | 242.72 | 18.38 | 242.69 | 16.00 | 242.67 | 14.00 | 242.59 | 7.30 | 242.58 | 6.50 | 242.58 | 6.33 | 242.54 | 5.00 | 242.51 | 4.00 | 242.40 | 0.00 | 242.35 | 1.50 | 242.31 | 3.00 | 242.17 | 7.81 | 242.15 | 10.50 | 242.14 | 12.50 | 242.12 | 15.61 | 242.07 | 21.95 | 242.12 | 25.00 |
| Progetto | Dist. parziali | | | 2.38 | 2.00 | 7.50 | 1.50 | 1.00 | 4.00 | 1.50 | 1.50 | 7.50 | 2.00 | 3.11 | | | | | | | | | | | | | | | | | | | | | | | |
| | Dist. progressive | | | -242.72 | 18.38 | -244.31 | 16.00 | -244.33 | 14.00 | -249.33 | 6.50 | -249.39 | 5.00 | -249.30 | 4.00 | -249.23 | 0.00 | -249.20 | 1.50 | -249.27 | 1.50 | -249.21 | 3.00 | -244.21 | 10.50 | -244.19 | 12.50 | -242.12 | 15.61 | | | | | | | | |
| Quote Progetto | | | | -242.72 | 18.38 | -244.31 | 16.00 | -244.33 | 14.00 | -249.33 | 6.50 | -249.39 | 5.00 | -249.30 | 4.00 | -249.23 | 0.00 | -249.20 | 1.50 | -249.27 | 1.50 | -249.21 | 3.00 | -244.21 | 10.50 | -244.19 | 12.50 | -242.12 | 15.61 | | | | | | | | |

SEZIONE N. B(A8)-10

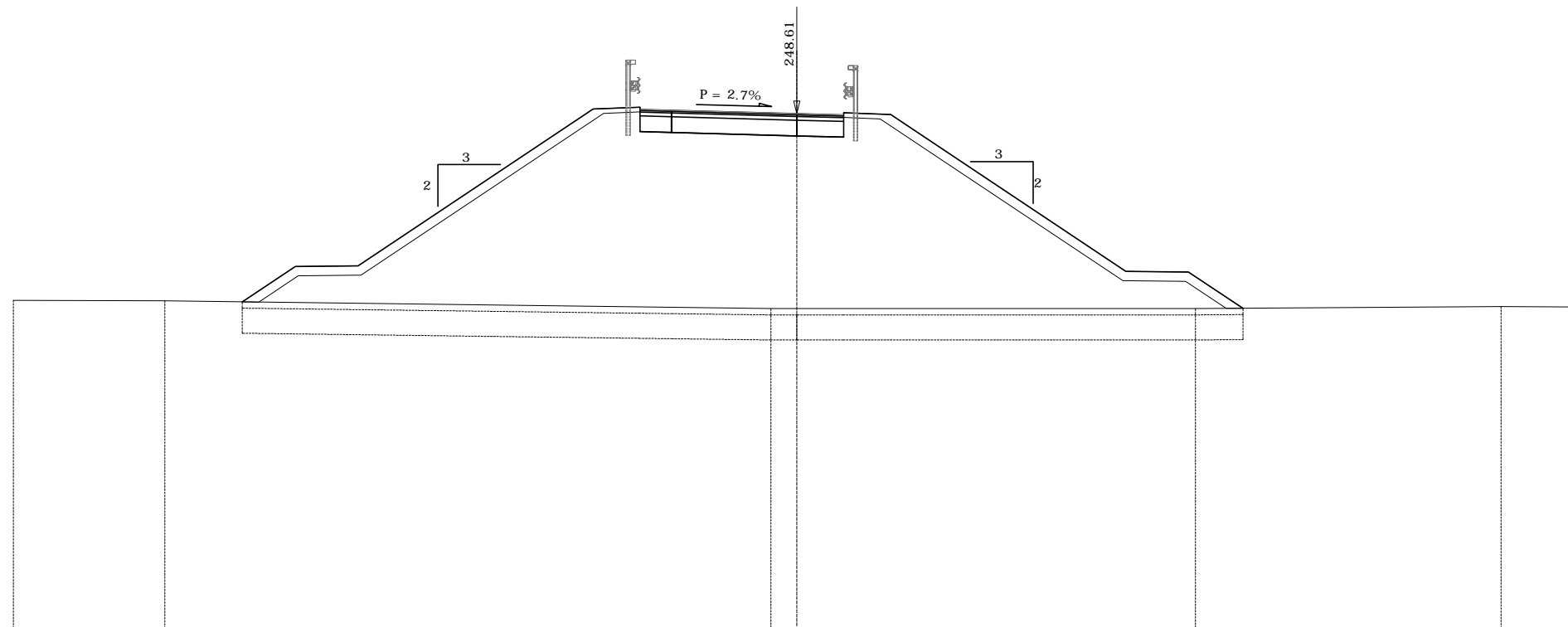
PROGR. 163.76

QP = 248.61

ml 23.76 da sez.n. B(A8)-9 ← → ml 16.24 a sez.n. B(A8)-11

SEZIONE N. B(A8)-10

| | |
|--------------------------|--------|
| Rilevato (mq) | 109.06 |
| Scavo (mq) | 0.00 |
| Scotico (m) | 31.93 |
| Bonifica (mq) | 25.54 |
| Ammorsamento (mq) | 0.00 |
| Terreno vegetale sx (mq) | 4.08 |
| Terreno vegetale dx (mq) | 4.09 |
| Usura drenante (m) | 6.50 |
| Binder (m) | 6.50 |
| Base bitumata (m) | 6.50 |
| Base cementata (m) | 6.50 |
| Fondazione (m) | 6.50 |



| | | | | | | | | | | | | | | | | | | |
|----------------|-------------------|---------|---------|---------|---------|---------|---------|---------|---------|---------|---------|---------|---------|---------|---------|---------|---------|---------|
| Terreno | Dist. parziali | 4.83 | 2.47 | 1.69 | 2.00 | 7.50 | 1.50 | 1.00 | 3.18 | 0.82 | 1.50 | 1.50 | 7.50 | 2.00 | 1.74 | 8.23 | 2.53 | |
| | Dist. progressive | -242.66 | -242.64 | -242.61 | -242.59 | -242.56 | -242.47 | -242.45 | -242.43 | -242.39 | -242.40 | -242.40 | -242.40 | -242.40 | -242.40 | -242.40 | -242.46 | -242.45 |
| Progetto | Dist. parziali | | | 1.69 | 2.00 | 7.50 | 1.50 | 1.00 | 4.00 | 1.50 | 1.50 | 7.50 | 2.00 | 1.74 | | | | |
| | Dist. progressive | | | -242.61 | -243.74 | -243.76 | -248.76 | -248.82 | -248.75 | -248.72 | -248.61 | -248.57 | -248.64 | -248.58 | -243.58 | -243.56 | -242.41 | |
| Quote Terreno | | -242.66 | -242.64 | -242.61 | -242.59 | -242.56 | -242.47 | -242.45 | -242.43 | -242.39 | -242.40 | -242.40 | -242.40 | -242.40 | -242.40 | -242.40 | -242.46 | -242.45 |
| Quote Progetto | | | | -242.61 | -243.74 | -243.76 | -248.76 | -248.82 | -248.75 | -248.72 | -248.61 | -248.57 | -248.64 | -248.58 | -243.58 | -243.56 | -242.41 | |

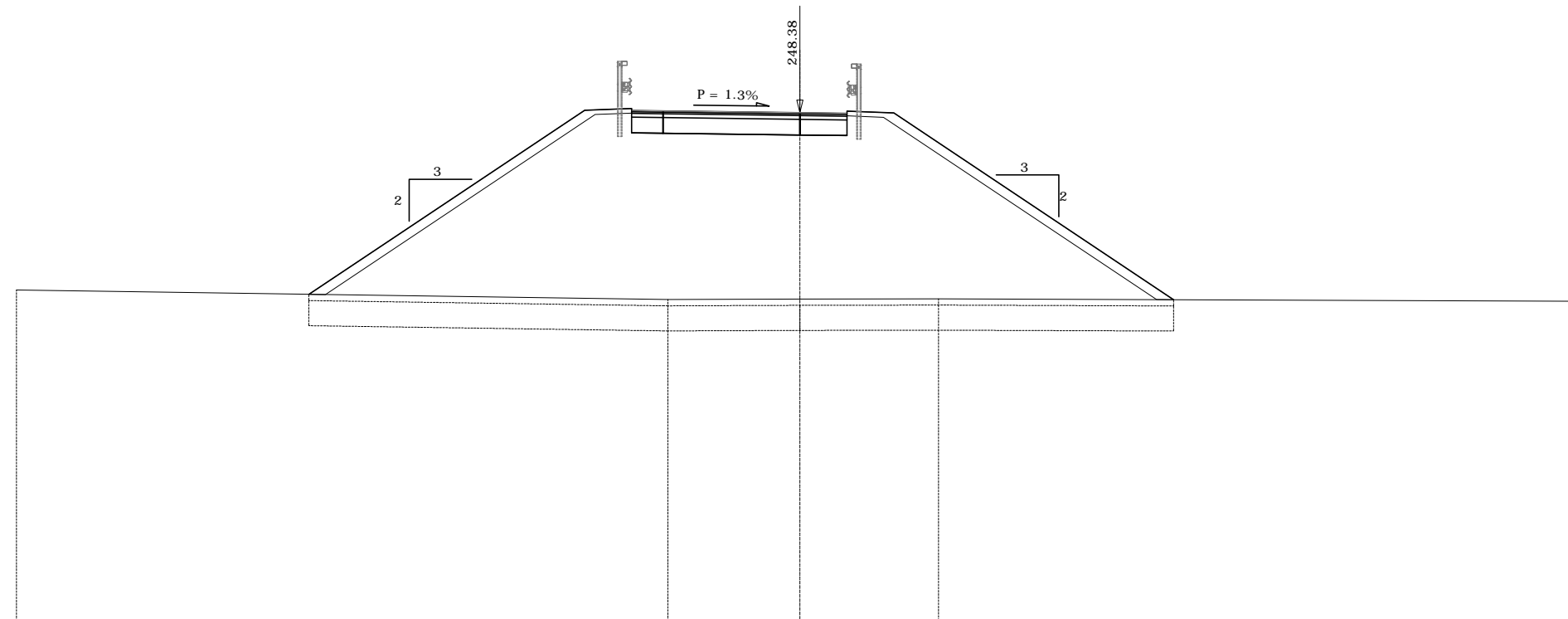
SEZIONE N. B(A8)-11

PROGR. 180.00
QP = 248.38

ml 16.24 da sez.n. B(A8)-10 a ml 20.00 a sez.n. B(A8)-12

SEZIONE N. B(A8)-11

| | |
|--------------------------|--------|
| Rilevato (mq) | 100.19 |
| Scavo (mq) | 0.00 |
| Scotico (m) | 27.59 |
| Bonifica (mq) | 22.08 |
| Ammorsamento (mq) | 0.00 |
| Terreno vegetale sx (mq) | 3.34 |
| Terreno vegetale dx (mq) | 3.38 |
| Usura drenante (m) | 6.87 |
| Binder (m) | 6.87 |
| Base bitumata (m) | 6.87 |
| Base cementata (m) | 6.87 |
| Fondazione (m) | 6.87 |



| | | | | | | | | | | | |
|-----------------------|-------------------|---------|---------|---------|---------|---------|---------|---------|---------|---------|---------|
| Terreno | Dist. parziali | 9.33 | 8.80 | 1.50 | 1.00 | 4.22 | 1.50 | 1.50 | 8.93 | 13.06 | |
| | Dist. progressive | -242.73 | -242.59 | -242.46 | -242.44 | -242.43 | -242.42 | -242.44 | -242.44 | -242.45 | -242.37 |
| Quote Terreno | | -242.73 | -242.59 | -242.46 | -242.44 | -242.43 | -242.42 | -242.44 | -242.44 | -242.45 | -242.37 |
| Progetto | Dist. parziali | 8.80 | 1.50 | 1.00 | 4.37 | 1.50 | 1.50 | 8.93 | | | |
| | Dist. progressive | -242.59 | -242.46 | -248.52 | -248.45 | -248.44 | -248.38 | -248.36 | -248.43 | -248.37 | -242.42 |
| Quote Progetto | | -242.59 | -242.46 | -248.52 | -248.45 | -248.44 | -248.38 | -248.36 | -248.43 | -248.37 | -242.42 |

SEZIONE N. B(A8)-12

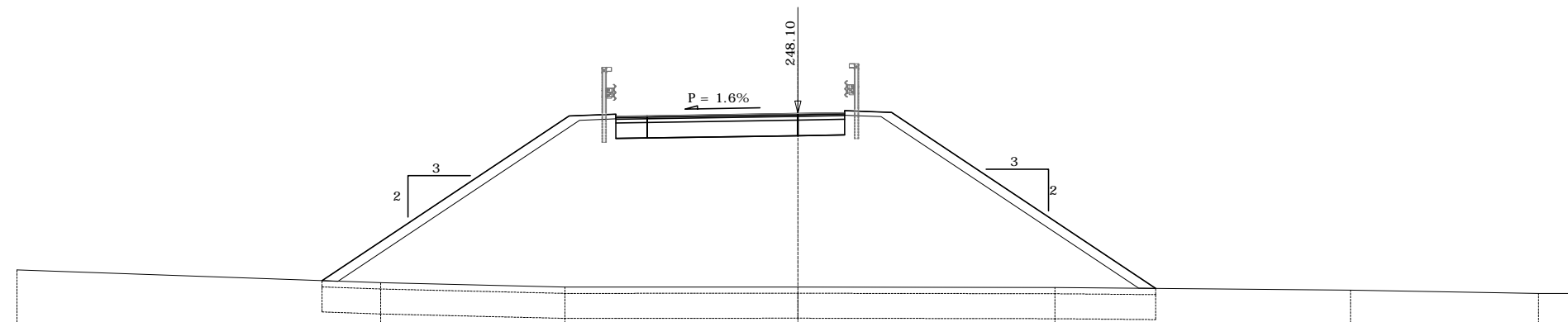
PROGR. 200.00

QP = 248.10

ml 20.00 da sez.n. B(A8)-11 → ← ml 20.00 a sez.n. B(A8)-13

SEZIONE N. B(A8)-12

| | |
|--------------------------|-------|
| Rilevato (mq) | 91.12 |
| Scavo (mq) | 0.00 |
| Scotico (m) | 26.69 |
| Bonifica (mq) | 21.35 |
| Ammorsamento (mq) | 0.00 |
| Terreno vegetale sx (mq) | 3.02 |
| Terreno vegetale dx (mq) | 3.21 |
| Usura drenante (m) | 7.33 |
| Binder (m) | 7.33 |
| Base bitumata (m) | 7.33 |
| Base cementata (m) | 7.33 |
| Fondazione (m) | 7.33 |



| | | | | | | | | | | | | | | | | | | | | | | | | | | | | | | | | |
|----------------|-------------------|---------|--------|---------|--------|---------|--------|---------|-------|---------|-------|---------|-------|---------|-------|---------|-------|---------|-------|---------|-------|---------|-------|---------|---------|---------|--------|---------|--------|---------|--------|--|
| Terreno | Dist. parziali | | 9.76 | 1.88 | 5.90 | 1.50 | 1.00 | 4.82 | 1.50 | 1.50 | 5.23 | 3.23 | 6.24 | 6.02 | 1.29 | | | | | | | | | | | | | | | | | |
| | Dist. progressive | -243.09 | -25.00 | -242.74 | -15.24 | -242.68 | -13.36 | -242.54 | -7.46 | -242.54 | -7.32 | -242.54 | -5.82 | -242.54 | -4.82 | -242.54 | -0.00 | -242.54 | -1.50 | -242.54 | -3.00 | -242.52 | -8.23 | -242.50 | -11.45 | -242.44 | -17.69 | -242.33 | -23.71 | -242.34 | -25.00 | |
| Quote Terreno | | -243.09 | -25.00 | -242.74 | -15.24 | -242.68 | -13.36 | -242.54 | -7.46 | -242.54 | -7.32 | -242.54 | -5.82 | -242.54 | -4.82 | -242.54 | -0.00 | -242.54 | -1.50 | -242.54 | -3.00 | -242.52 | -8.23 | -242.50 | -11.45 | -242.44 | -17.69 | -242.33 | -23.71 | -242.34 | -25.00 | |
| Progetto | Dist. parziali | | | | 7.91 | 1.50 | 1.00 | 4.82 | 1.50 | 1.50 | 8.45 | | | | | | | | | | | | | | | | | | | | | |
| | Dist. progressive | | | -242.74 | -15.24 | | | -248.02 | -7.32 | -248.08 | -5.82 | -248.01 | -4.82 | -248.10 | -0.00 | -248.12 | -1.50 | -248.19 | -3.00 | -248.13 | | | | | -242.50 | -11.45 | | | | | | |
| Quote Progetto | | | | -242.74 | -15.24 | | | -248.02 | -7.32 | -248.08 | -5.82 | -248.01 | -4.82 | -248.10 | -0.00 | -248.12 | -1.50 | -248.19 | -3.00 | -248.13 | | | | -242.50 | -11.45 | | | | | | | |

SEZIONE N. B(A8)-13

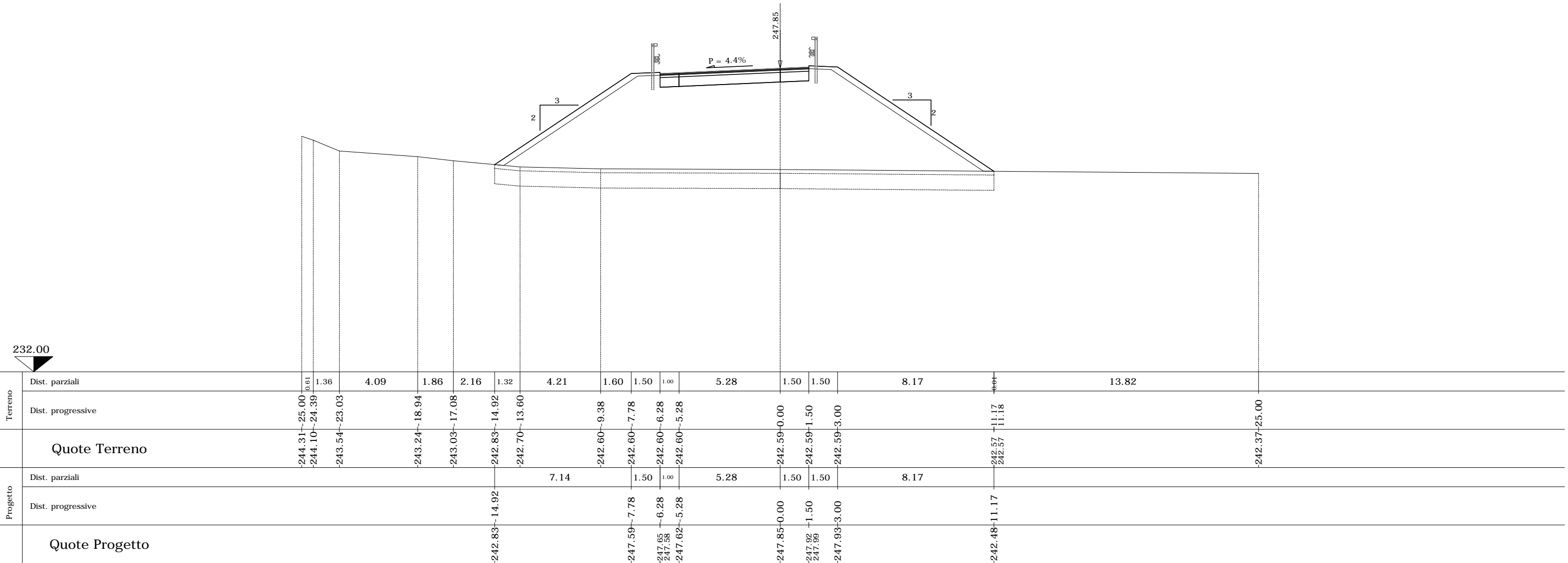
PROGR. 220.00

QP = 247.85

ml 20.00 da sez.n. B(A8)-12 a sez.n. B(A8)-13 ml 22.87 a sez.n. B(A8)-14

SEZIONE N. B(A8)-13

| | |
|--------------------------|-------|
| Rilevato (mq) | 84.55 |
| Scavo (mq) | 0.00 |
| Scotico (m) | 26.09 |
| Bonifica (mq) | 20.87 |
| Ammorsamento (mq) | 0.00 |
| Terreno vegetale sx (mq) | 2.75 |
| Terreno vegetale dx (mq) | 3.11 |
| Usura drenante (m) | 7.79 |
| Binder (m) | 7.79 |
| Base bitumata (m) | 7.79 |
| Base cementata (m) | 7.79 |
| Fondazione (m) | 7.79 |



SEZIONE N. B(A8)-14

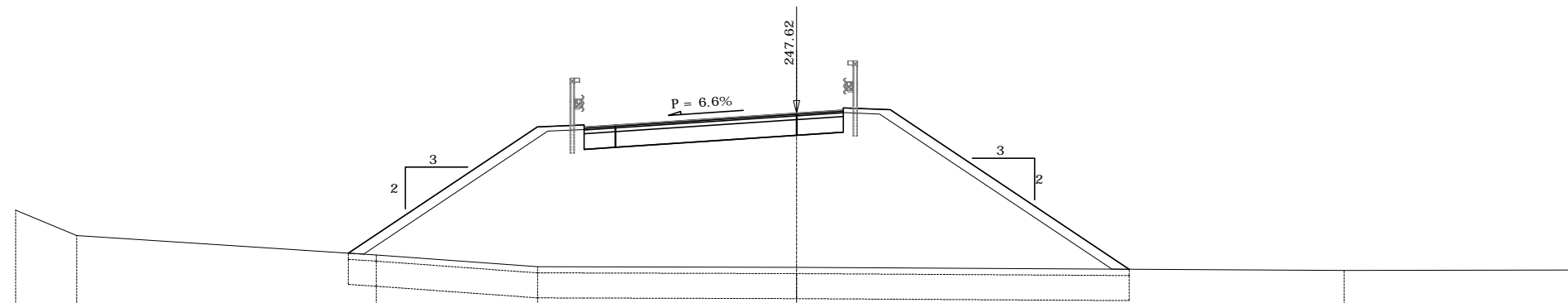
PROGR. 242.87

QP = 247.62

ml 22.87 da sez.n. B(A8)-13 a ml 17.13 a sez.n. B(A8)-15

SEZIONE N. B(A8)-14

| | |
|--------------------------|-------|
| Rilevato (mq) | 75.33 |
| Scavo (mq) | 0.00 |
| Scotico (m) | 25.00 |
| Bonifica (mq) | 20.00 |
| Ammorsamento (mq) | 0.00 |
| Terreno vegetale sx (mq) | 2.35 |
| Terreno vegetale dx (mq) | 2.92 |
| Usura drenante (m) | 8.32 |
| Binder (m) | 8.32 |
| Base bitumata (m) | 8.32 |
| Base cementata (m) | 8.32 |
| Fondazione (m) | 8.32 |



| | | | | | | | | | | | | | | |
|----------------|-------------------|---------|---------|---------|---------|---------|---------|---------|---------|---------|---------|---------|---------|---------|
| Terreno | Dist. parziali | 1.95 | 8.69 | 0.90 | 5.15 | 1.49 | 1.00 | 5.80 | 1.50 | 1.50 | 7.65 | 6.88 | 7.47 | |
| | Dist. progressive | -244.52 | -243.71 | -243.15 | -243.09 | -242.72 | -242.72 | -242.72 | -242.70 | -242.69 | -242.68 | -242.63 | -242.59 | -242.61 |
| Quote Terreno | | -244.52 | -243.71 | -243.15 | -243.09 | -242.72 | -242.72 | -242.72 | -242.70 | -242.69 | -242.68 | -242.63 | -242.59 | -242.61 |
| Progetto | Dist. parziali | | | 6.05 | 1.50 | 1.00 | 5.80 | 1.50 | 1.50 | 7.65 | | | | |
| | Dist. progressive | | | -243.15 | -247.19 | -247.25 | -247.24 | -247.62 | -247.72 | -247.79 | -247.73 | -242.63 | | |
| Quote Progetto | | | | -243.15 | -247.19 | -247.25 | -247.24 | -247.62 | -247.72 | -247.79 | -247.73 | -242.63 | | |

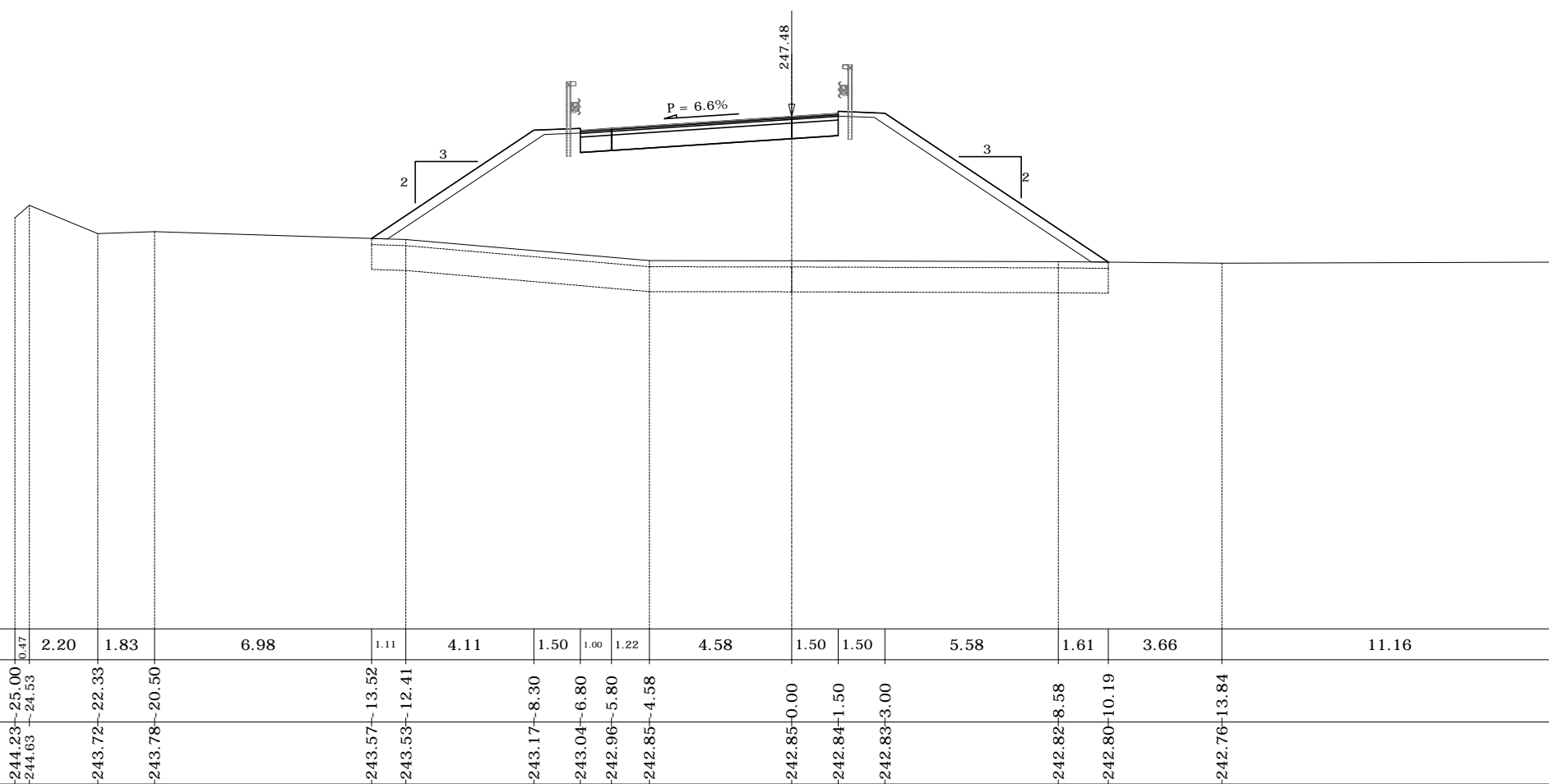
SEZIONE N. B(A8)-15

PROGR. 260.00

QP = 247.48

ml 17.13 da sez.n. B(A8)-14 a ml 20.00 a sez.n. B(A8)-16

| SEZIONE N. B(A8)-15 | |
|--------------------------|-------|
| Rilevato (mq) | 66.28 |
| Scavo (mq) | 0.00 |
| Scotico (m) | 23.71 |
| Bonifica (mq) | 18.97 |
| Ammorsamento (mq) | 0.00 |
| Terreno vegetale sx (mq) | 2.05 |
| Terreno vegetale dx (mq) | 2.75 |
| Usura drenante (m) | 8.32 |
| Binder (m) | 8.32 |
| Base bitumata (m) | 8.32 |
| Base cementata (m) | 8.32 |
| Fondazione (m) | 8.32 |



231.00

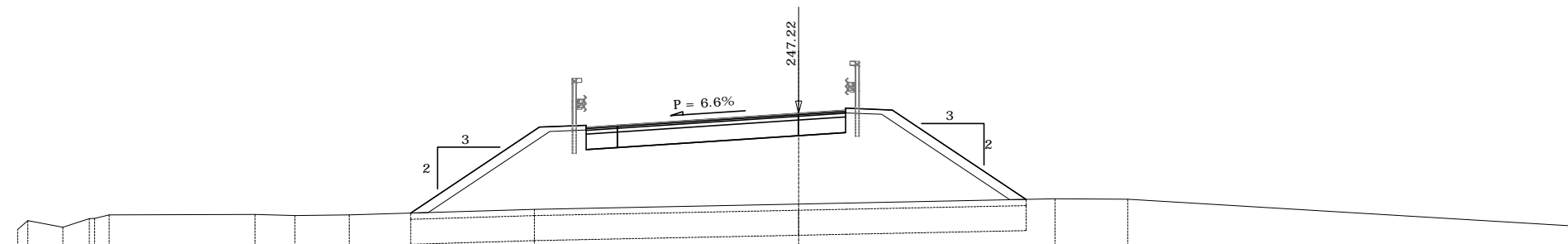
| | | | | | | | | | | | | | | | | | | |
|----------|-------------------|--------------------|-------------------|-------------------|-------------------|-------------------|-------------------|------------------|------------------|------------------|------------------|------------------|------------------|-------------------|-------------------|-------------------|-------------------|-------------------|
| Terreno | Dist. parziali | 0.47 | 2.20 | 1.83 | 6.98 | 1.11 | 4.11 | 1.50 | 1.00 | 1.22 | 4.58 | 1.50 | 1.50 | 5.58 | 1.61 | 3.66 | 11.16 | |
| | Dist. progressive | -244.23 -244.63 | -25.00 -24.53 | -243.72 -22.33 | -243.78 -20.50 | -243.57 -13.52 | -243.53 -12.41 | -243.17 -8.30 | -243.04 -6.80 | -242.96 -5.80 | -242.85 -4.58 | -242.85 -0.00 | -242.84 -1.50 | -242.83 -3.00 | -242.82 -8.58 | -242.80 -10.19 | -242.76 -13.84 | -242.80 -25.00 |
| Progetto | Dist. parziali | | | | | | 5.22 | 1.50 | 1.00 | | 5.80 | 1.50 | 1.50 | | 7.19 | | | |
| | Dist. progressive | | | | | -243.57 -13.52 | | -247.05 -8.30 | -247.11 -6.80 | -247.10 -5.80 | -247.48 -0.00 | -247.58 -1.50 | -247.65 -3.00 | | -242.80 -10.19 | | | |
| | Quote Terreno | -244.23 -244.63 | -243.72 -22.33 | -243.78 -20.50 | -243.57 -13.52 | -243.53 -12.41 | -243.17 -8.30 | -243.04 -6.80 | -242.96 -5.80 | -242.85 -4.58 | -242.85 -0.00 | -242.84 -1.50 | -242.83 -3.00 | -242.82 -8.58 | -242.80 -10.19 | -242.76 -13.84 | -242.80 -25.00 | |
| | Quote Progetto | | | | -243.57 -13.52 | | -247.05 -8.30 | -247.11 -6.80 | -247.10 -5.80 | -247.48 -0.00 | -247.58 -1.50 | -247.65 -3.00 | | -242.80 -10.19 | | | | |

SEZIONE N. B(A8)-19

PROGR. 340.00
QP = 247.22

ml 20.00 da sez.n. B(A8)-18 a ml 13.34 a sez.n. B(A8)-20

| SEZIONE N. B(A8)-19 | |
|--------------------------|-------|
| Rilevato (mq) | 33.90 |
| Scavo (mq) | 0.00 |
| Scotico (m) | 19.70 |
| Bonifica (mq) | 15.76 |
| Ammorsamento (mq) | 0.00 |
| Terreno vegetale sx (mq) | 1.64 |
| Terreno vegetale dx (mq) | 1.71 |
| Usura drenante (m) | 8.32 |
| Binder (m) | 8.32 |
| Base bitumata (m) | 8.32 |
| Base cementata (m) | 8.32 |
| Fondazione (m) | 8.32 |



| Terreno | Dist. parziali | 0.33 | 1.12 | 0.85 | 0.17 | 0.47 | 4.67 | 1.27 | 1.74 | 1.96 | 3.96 | 1.50 | 1.00 | 5.80 | 1.50 | 1.50 | 4.28 | 0.93 | 2.33 | 14.47 | | |
|----------|-------------------|---------|---------|---------|---------|---------|---------|---------|---------|---------|---------|---------|---------|---------|---------|---------|---------|---------|---------|---------|---------|---------|
| | Dist. progressive | 243.52 | 243.80 | 243.59 | 243.86 | 243.87 | 243.98 | 243.99 | 243.96 | 243.98 | 244.04 | 244.16 | 244.16 | 244.19 | 244.21 | 244.33 | 244.36 | 244.39 | 244.48 | 244.50 | 244.49 | 243.62 |
| | Quote Terreno | -243.52 | -243.80 | -243.59 | -243.86 | -243.87 | -243.98 | -243.99 | -243.96 | -243.98 | -244.04 | -244.16 | -244.16 | -244.19 | -244.21 | -244.33 | -244.36 | -244.39 | -244.48 | -244.50 | -244.49 | -243.62 |
| Progetto | Dist. parziali | | | | | | | | | | 4.12 | 1.50 | 1.00 | 5.80 | 1.50 | 1.50 | 4.28 | | | | | |
| | Dist. progressive | | | | | | | | | | -244.04 | -246.79 | -246.85 | -246.78 | -246.84 | -247.22 | -247.32 | -247.39 | -247.33 | -244.48 | -244.49 | -243.62 |
| | Quote Progetto | | | | | | | | | | -244.04 | -246.79 | -246.85 | -246.78 | -246.84 | -247.22 | -247.32 | -247.39 | -247.33 | -244.48 | -244.49 | -243.62 |

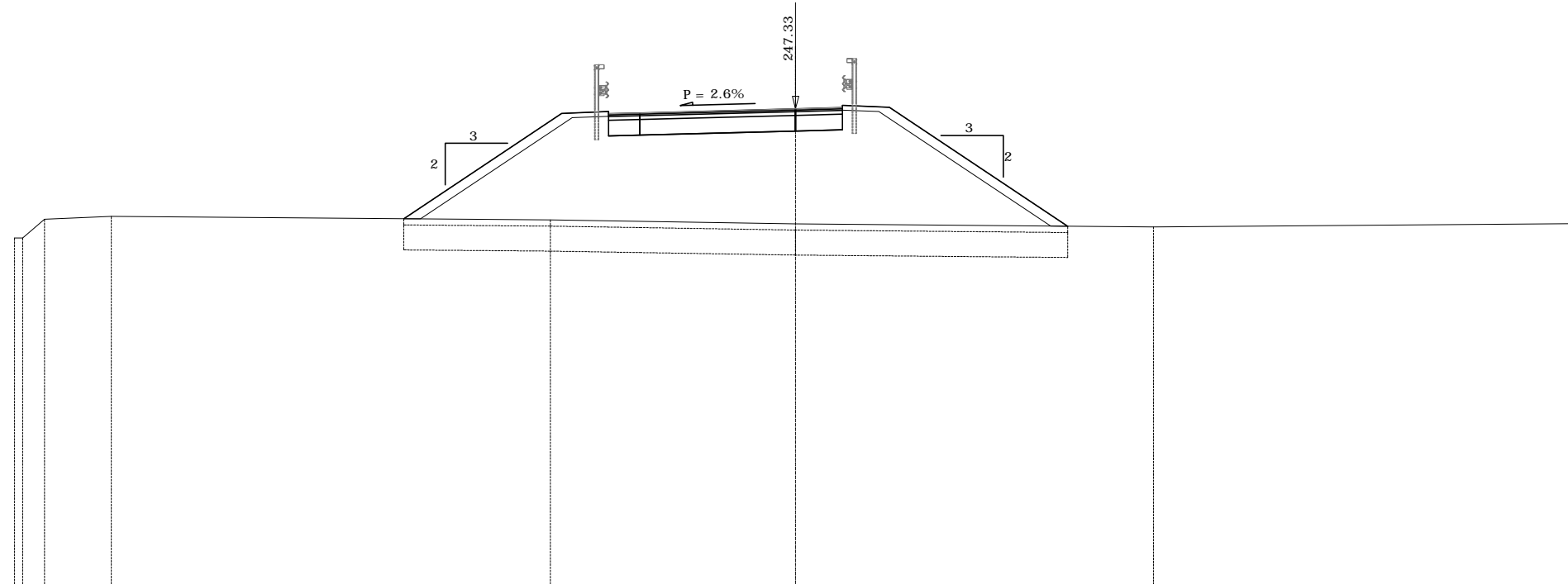
SEZIONE N. B(A8)-21

PROGR. 380.00

QP = 247.33

ml 26.66 da sez.n. B(A8)-20 a ml 17.31 a sez.n. B(A8)-22

| SEZIONE N. B(A8)-21 | |
|--------------------------|-------|
| Rilevato (mq) | 47.50 |
| Scavo (mq) | 0.00 |
| Scotico (m) | 21.26 |
| Bonifica (mq) | 17.00 |
| Ammorsamento (mq) | 0.00 |
| Terreno vegetale sx (mq) | 1.99 |
| Terreno vegetale dx (mq) | 2.22 |
| Usura drenante (m) | 7.49 |
| Binder (m) | 7.49 |
| Base bitumata (m) | 7.49 |
| Base cementata (m) | 7.49 |
| Fondazione (m) | 7.49 |



| | | | | | | | | | | | | | | | | |
|-----------------------|-------------------|---------|---------|---------|---------|---------|---------|---------|---------|---------|---------|---------|---------|---------|---------|---------|
| Terreno | Dist. parziali | | 2.13 | 9.36 | 4.69 | 0.38 | 1.50 | 1.00 | 4.99 | 1.50 | 1.50 | 5.71 | 5.48 | 10.81 | | |
| | Dist. progressive | -243.20 | -243.20 | -243.80 | -243.89 | -243.82 | -243.78 | -243.77 | -243.75 | -243.73 | -243.65 | -243.64 | -243.63 | -243.59 | -243.55 | -243.66 |
| Quote Terreno | | -243.20 | -243.20 | -243.80 | -243.89 | -243.82 | -243.78 | -243.77 | -243.75 | -243.73 | -243.65 | -243.64 | -243.63 | -243.59 | -243.55 | -243.66 |
| Progetto | Dist. parziali | | 5.06 | | 1.50 | 1.00 | 4.99 | 1.50 | 1.50 | 5.71 | | | | | | |
| | Dist. progressive | -243.82 | -243.82 | -243.82 | -243.82 | -243.82 | -247.19 | -247.18 | -247.20 | -247.20 | -247.33 | -247.37 | -247.44 | -247.38 | -243.57 | -243.57 |
| Quote Progetto | | -243.82 | -243.82 | -243.82 | -243.82 | -243.82 | -247.19 | -247.18 | -247.20 | -247.20 | -247.33 | -247.37 | -247.44 | -247.38 | -243.57 | -243.57 |

SEZIONE N. B(A8)-23

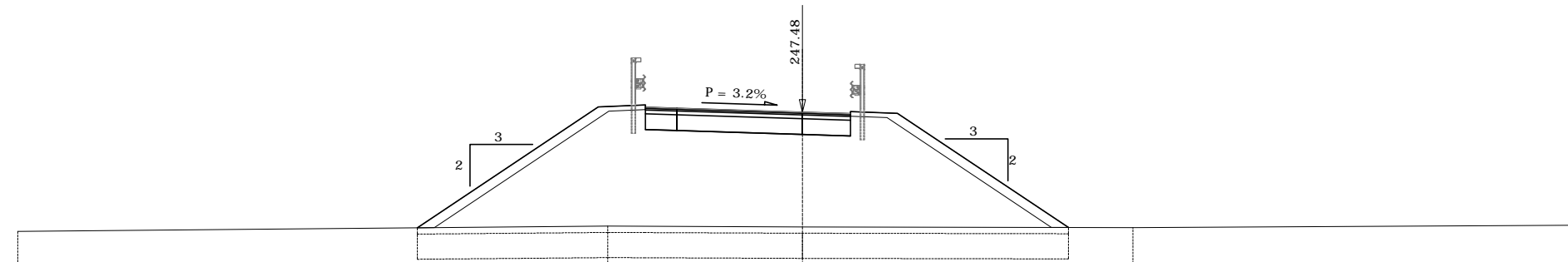
PROGR. 412.31

QP = 247.48

ml 15.00 da sez.n. B(A8)-22 a ml 33.62 a sez.n. B(A8)-24

SEZIONE N. B(A8)-23

| | |
|--------------------------|-------|
| Rilevato (mq) | 47.19 |
| Scavo (mq) | 0.00 |
| Scotico (m) | 20.74 |
| Bonifica (mq) | 16.60 |
| Ammorsamento (mq) | 0.00 |
| Terreno vegetale sx (mq) | 2.24 |
| Terreno vegetale dx (mq) | 2.12 |
| Usura drenante (m) | 6.53 |
| Binder (m) | 6.53 |
| Base bitumata (m) | 6.53 |
| Base cementata (m) | 6.53 |
| Fondazione (m) | 6.53 |



232.00

| | | | | | | | | | | | | | |
|----------------|-------------------|---------|---------|---------|---------|---------|---------|---------|---------|---------|---------|---------|--------|
| Terreno | Dist. parziali | | 12.73 | 5.77 | 1.20 | 1.00 | 4.00 | 1.53 | 1.50 | 5.44 | 2.06 | 14.47 | |
| | Dist. progressive | -243.69 | -243.80 | -243.85 | -243.86 | -243.85 | -243.83 | -243.83 | -243.82 | -243.81 | -243.81 | -243.88 | -25.00 |
| Quote Terreno | | -243.69 | -243.80 | -243.85 | -243.86 | -243.85 | -243.83 | -243.83 | -243.82 | -243.81 | -243.81 | -243.88 | -25.00 |
| Progetto | Dist. parziali | | 5.77 | 1.50 | 1.00 | 4.00 | 1.53 | 1.50 | 5.44 | | | | |
| | Dist. progressive | -243.80 | -247.65 | -247.71 | -247.64 | -247.61 | -247.48 | -247.43 | -247.44 | -243.81 | -243.81 | -25.00 | |
| Quote Progetto | | -243.80 | -247.65 | -247.71 | -247.64 | -247.61 | -247.48 | -247.43 | -247.44 | -243.81 | -243.81 | -25.00 | |

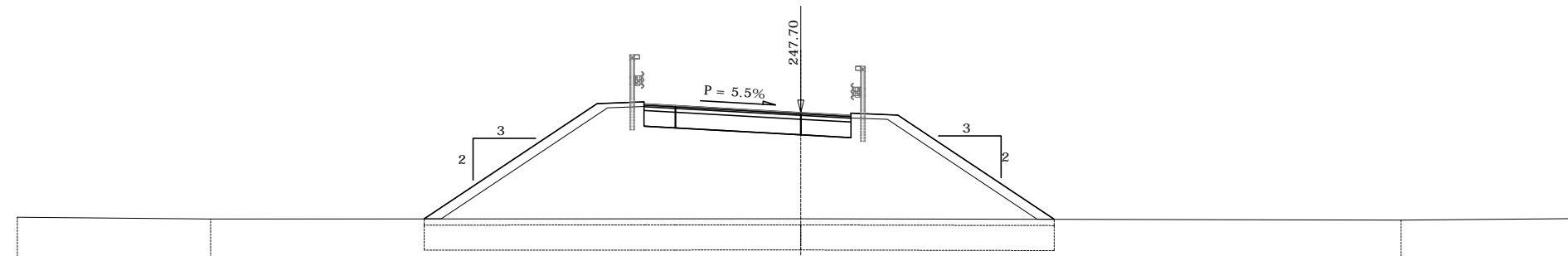
SEZIONE N. B(A8)-25

PROGR. 460.00
QP = 247.70

ml 14.07 da sez.n. B(A8)-24 → → ml 14.88 a sez.n. B(A8)-26

SEZIONE N. B(A8)-25

| | |
|--------------------------|-------|
| Rilevato (mq) | 43.14 |
| Scavo (mq) | 0.00 |
| Scotico (m) | 20.11 |
| Bonifica (mq) | 16.08 |
| Ammorsamento (mq) | 0.00 |
| Terreno vegetale sx (mq) | 2.15 |
| Terreno vegetale dx (mq) | 1.96 |
| Usura drenante (m) | 6.61 |
| Binder (m) | 6.61 |
| Base bitumata (m) | 6.61 |
| Base cementata (m) | 6.61 |
| Fondazione (m) | 6.61 |



| | | | | | | | | | | | | | | | |
|----------------|-------------------|---------|--------|---------|--------|---------|--------|---------|-------|---------|-------|---------|-------|---------|-------|
| Terreno | Dist. parziali | | 6.17 | 6.81 | 5.52 | 1.50 | 1.00 | 4.00 | 1.60 | 1.50 | 4.99 | 11.07 | 5.84 | | |
| | Dist. progressive | -244.35 | -25.00 | -244.30 | -18.83 | -244.31 | -12.02 | -244.31 | -6.50 | -244.31 | -5.00 | -244.31 | -4.00 | -244.31 | -0.00 |
| Quote Terreno | | -244.35 | -25.00 | -244.30 | -18.83 | -244.31 | -12.02 | -244.31 | -6.50 | -244.31 | -5.00 | -244.31 | -4.00 | -244.31 | -0.00 |
| Progetto | Dist. parziali | | | | | 5.52 | 1.50 | 1.00 | 4.00 | 1.60 | 1.50 | 4.99 | | | |
| | Dist. progressive | | | | | -244.31 | -12.02 | -244.31 | -6.50 | -247.98 | -5.00 | -247.97 | -4.00 | -247.70 | -0.00 |
| Quote Progetto | | | | | | -244.31 | -12.02 | -244.31 | -6.50 | -247.98 | -5.00 | -247.97 | -4.00 | -247.70 | -0.00 |

SEZIONE N. B(A8)-26

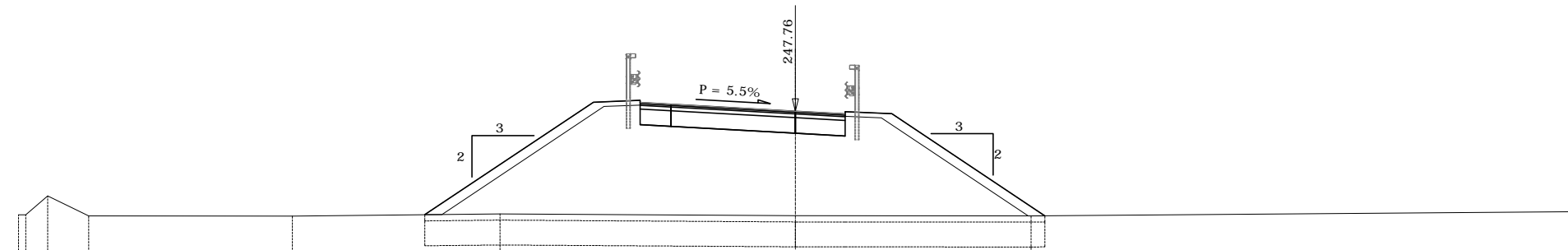
PROGR. 474.88

QP = 247.76

ml 14.88 da sez.n. B(A8)-25 a ml 25.14 a sez.n. B(A8)-27

SEZIONE N. B(A8)-26

| | |
|--------------------------|-------|
| Rilevato (mq) | 42.27 |
| Scavo (mq) | 0.00 |
| Scotico (m) | 19.95 |
| Bonifica (mq) | 15.96 |
| Ammorsamento (mq) | 0.00 |
| Terreno vegetale sx (mq) | 2.11 |
| Terreno vegetale dx (mq) | 1.94 |
| Usura drenante (m) | 6.61 |
| Binder (m) | 6.61 |
| Base bitumata (m) | 6.61 |
| Base cementata (m) | 6.61 |
| Fondazione (m) | 6.61 |



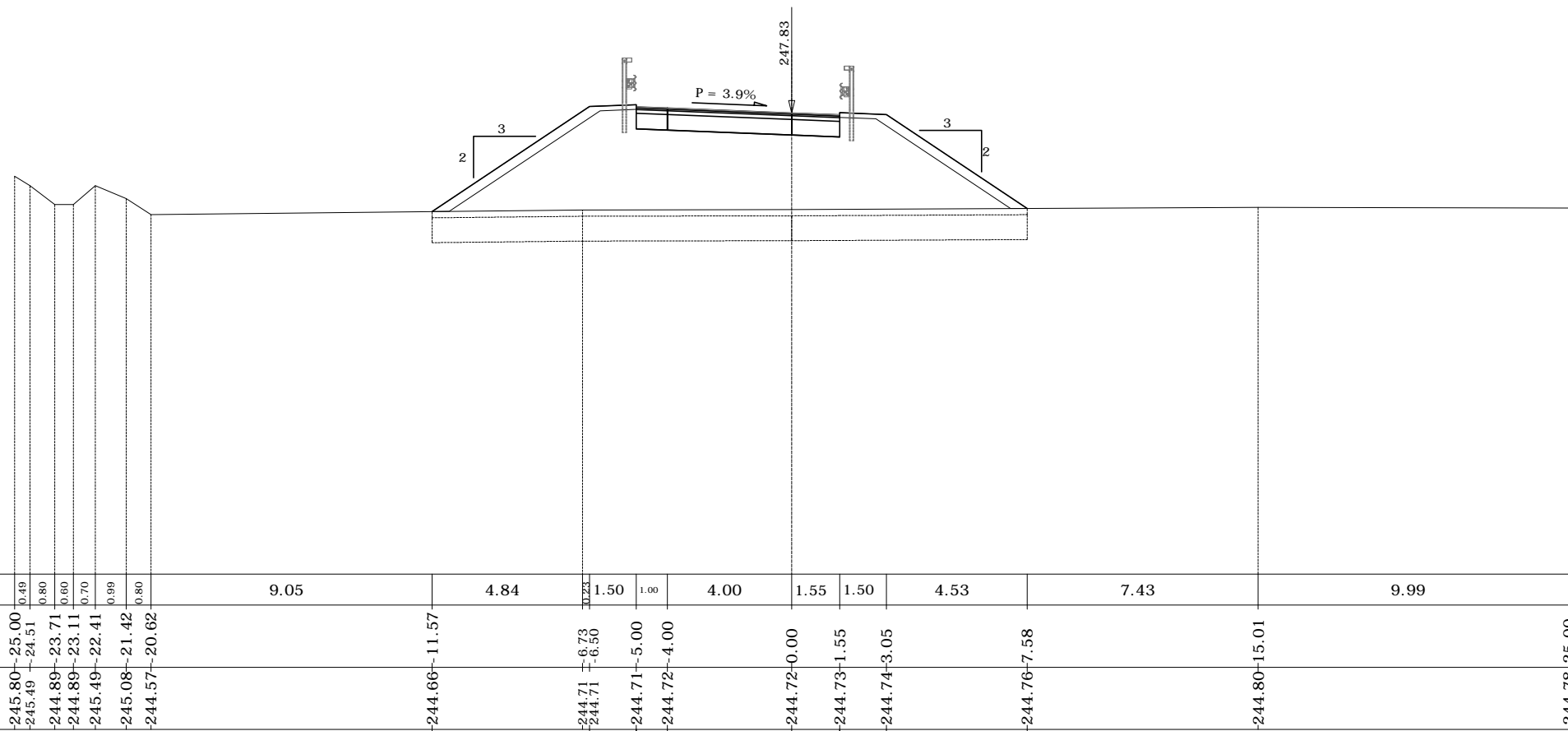
| | | | | | | | | | | | | | | | | | | |
|----------------|-------------------|---------|---------|---------|---------|---------|---------|---------|---------|---------|---------|---------|---------|---------|---------|---------|---------|---------|
| Terreno | Dist. parziali | 0.23 | 0.70 | 1.32 | 6.55 | 4.27 | 2.42 | 3.01 | 1.50 | 1.00 | 4.00 | 1.60 | 1.50 | 4.49 | 0.44 | 16.97 | | |
| | Dist. progressive | -244.43 | -244.43 | -245.03 | -244.40 | -244.39 | -244.43 | -244.46 | -244.44 | -244.43 | -244.42 | -244.40 | -244.40 | -244.40 | -244.40 | -244.39 | -244.40 | -244.53 |
| Quote Terreno | | -244.43 | -244.43 | -245.03 | -244.40 | -244.39 | -244.43 | -244.46 | -244.44 | -244.43 | -244.42 | -244.40 | -244.40 | -244.40 | -244.40 | -244.39 | -244.40 | -244.53 |
| Progetto | Dist. parziali | | | | | | 5.42 | 1.50 | 1.00 | 4.00 | 1.60 | 1.50 | 4.93 | | | | | |
| | Dist. progressive | | | | | | -244.43 | -248.05 | -248.11 | -247.98 | -247.76 | -247.67 | -247.68 | -244.40 | | | | |
| Quote Progetto | | | | | | | -244.43 | -248.05 | -248.11 | -247.98 | -247.76 | -247.67 | -247.68 | -244.40 | | | | |

SEZIONE N. B(A8)-27

PROGR. 500.02
QP = 247.83

ml 25.14 da sez.n. B(A8)-26 a ml 23.48 a sez.n. B(A8)-28

| SEZIONE N. B(A8)-27 | |
|--------------------------|-------|
| Rilevato (mq) | 37.31 |
| Scavo (mq) | 0.00 |
| Scotico (m) | 19.15 |
| Bonifica (mq) | 15.32 |
| Ammorsamento (mq) | 0.00 |
| Terreno vegetale sx (mq) | 1.99 |
| Terreno vegetale dx (mq) | 1.80 |
| Usura drenante (m) | 6.55 |
| Binder (m) | 6.55 |
| Base bitumata (m) | 6.55 |
| Base cementata (m) | 6.55 |
| Fondazione (m) | 6.55 |



233.00

| | | | | | | | | | | | | | | | | | | |
|----------------|-------------------|---------|---------|---------|---------|---------|---------|---------|---------|---------|---------|---------|---------|---------|---------|---------|---------|---------|
| Terreno | Dist. parziali | 0.49 | 0.80 | 0.60 | 0.70 | 0.99 | 0.80 | 9.05 | 4.84 | 1.50 | 1.00 | 4.00 | 1.55 | 1.50 | 4.53 | 7.43 | 9.99 | |
| | Dist. progressive | -245.80 | -245.49 | -244.89 | -244.89 | -245.49 | -245.08 | -244.57 | -244.66 | -244.71 | -244.71 | -244.71 | -244.72 | -244.72 | -244.72 | -244.73 | -244.74 | -244.76 |
| Quote Terreno | | -245.80 | -245.49 | -244.89 | -244.89 | -245.49 | -245.08 | -244.57 | -244.66 | -244.71 | -244.71 | -244.71 | -244.72 | -244.72 | -244.73 | -244.74 | -244.76 | -244.78 |
| Progetto | Dist. parziali | | | | | | | 5.07 | 1.50 | 1.00 | 4.00 | 1.55 | 1.50 | 4.53 | | | | |
| | Dist. progressive | | | | | | | -244.66 | -248.04 | -248.10 | -247.99 | -247.83 | -247.77 | -247.78 | -244.76 | | | |
| Quote Progetto | | | | | | | | -244.66 | -248.04 | -248.10 | -247.99 | -247.83 | -247.77 | -247.78 | -244.76 | | | |

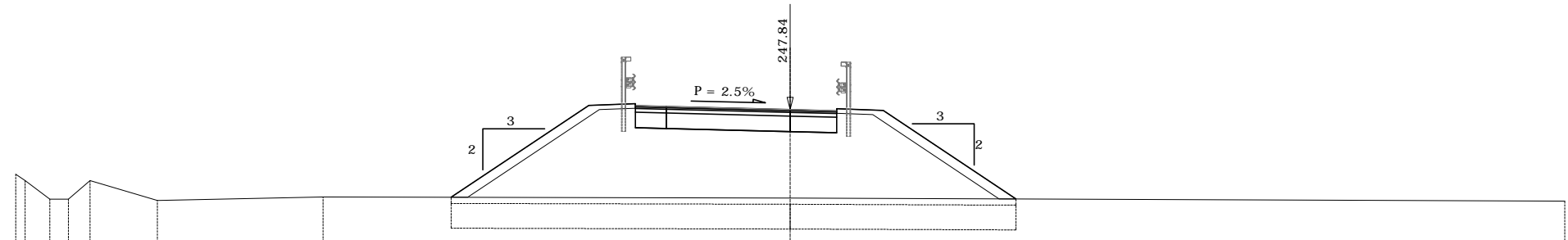
SEZIONE N. B(A8)-28

PROGR. 523.50
QP = 247.84

ml 23.48 da sez.n. B(A8)-27 → ← ml 16.33 a sez.n. B(A8)-29

SEZIONE N. B(A8)-28

| | |
|--------------------------|-------|
| Rilevato (mq) | 32.25 |
| Scavo (mq) | 0.00 |
| Scotico (m) | 18.23 |
| Bonifica (mq) | 14.59 |
| Ammorsamento (mq) | 0.00 |
| Terreno vegetale sx (mq) | 1.77 |
| Terreno vegetale dx (mq) | 1.71 |
| Usura drenante (m) | 6.50 |
| Binder (m) | 6.50 |
| Base bitumata (m) | 6.50 |
| Base cementata (m) | 6.50 |
| Fondazione (m) | 6.50 |



| | | | | | | | | | | | | | | | | | |
|----------------|-------------------|--------|--------|--------|--------|--------|--------|--------|--------|--------|--------|--------|--------|--------|--------|--------|--------|
| Terreno | Dist. parziali | 3.30 | 0.80 | 0.60 | 0.70 | 2.17 | 5.35 | 4.13 | 4.45 | 1.50 | 1.00 | 4.00 | 1.50 | 1.50 | 4.29 | 17.71 | |
| | Dist. progressive | 245.75 | 245.54 | 244.95 | 244.95 | 244.90 | 245.02 | 245.01 | 245.00 | 244.99 | 244.99 | 244.98 | 244.98 | 244.97 | 244.95 | 244.88 | 244.88 |
| Quote Terreno | | 245.75 | 245.54 | 244.95 | 244.95 | 244.90 | 245.02 | 245.01 | 245.00 | 244.99 | 244.99 | 244.98 | 244.98 | 244.97 | 244.95 | 244.88 | 244.88 |
| Progetto | Dist. parziali | | | | | | | 4.45 | 1.50 | 1.00 | 4.00 | 1.50 | 1.50 | 4.29 | | | |
| | Dist. progressive | | | | | | | 245.01 | 247.97 | 248.03 | 247.96 | 247.94 | 247.84 | 247.80 | 247.81 | 244.95 | 244.88 |
| Quote Progetto | | | | | | | | 245.01 | 247.97 | 248.03 | 247.96 | 247.94 | 247.84 | 247.80 | 247.81 | 244.95 | 244.88 |

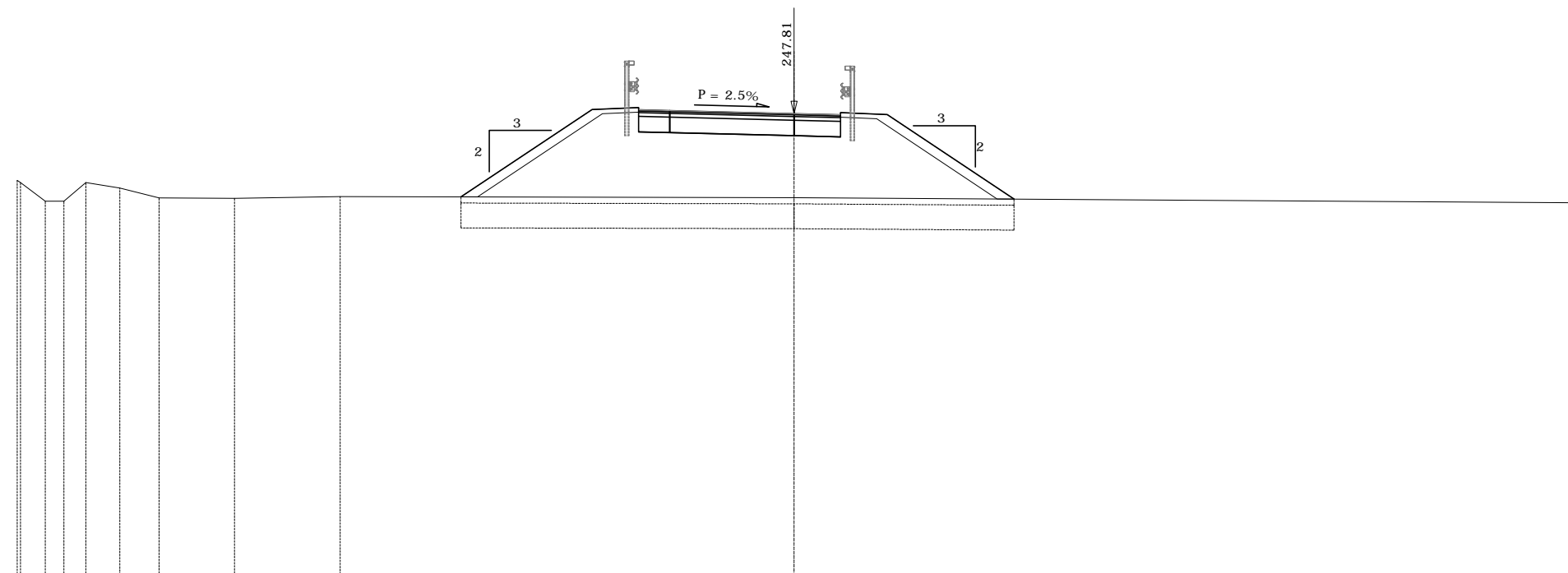
SEZIONE N. B(A8)-29

PROGR. 539.83

QP = 247.81

ml 16.33 da sez.n. B(A8)-28 a ml 20.17 a sez.n. B(A8)-30

| SEZIONE N. B(A8)-29 | |
|--------------------------|-------|
| Rilevato (mq) | 29.61 |
| Scavo (mq) | 0.00 |
| Scotico (m) | 17.80 |
| Bonifica (mq) | 14.24 |
| Ammorsamento (mq) | 0.00 |
| Terreno vegetale sx (mq) | 1.69 |
| Terreno vegetale dx (mq) | 1.64 |
| Usura drenante (m) | 6.50 |
| Binder (m) | 6.50 |
| Base bitumata (m) | 6.50 |
| Base cementata (m) | 6.50 |
| Fondazione (m) | 6.50 |



| | | | | | | | | | | | | | | | | | | | |
|----------------|-------------------|---------|---------|---------|---------|---------|---------|---------|---------|---------|---------|---------|---------|---------|---------|---------|---------|---------|---------|
| Terreno | Dist. parziali | 0.11 | 0.80 | 0.00 | 0.70 | 1.10 | 1.26 | 2.43 | 3.40 | 3.89 | 4.22 | 1.50 | 1.00 | 4.00 | 1.50 | 1.50 | 4.08 | 17.92 | |
| | Dist. progressive | -245.96 | -245.85 | -244.99 | -244.99 | -245.59 | -245.41 | -245.10 | -245.09 | -245.14 | -245.13 | -245.12 | -245.12 | -245.12 | -245.11 | -245.10 | -245.09 | -245.06 | -244.94 |
| Progetto | Dist. parziali | | | | | | | | | | 4.22 | 1.50 | 1.00 | 4.00 | 1.50 | 1.50 | 4.08 | | |
| | Dist. progressive | | | | | | | | | | -245.13 | -247.94 | -248.00 | -247.91 | -247.81 | -247.77 | -247.78 | -245.06 | -244.94 |
| Quote Terreno | | -245.96 | -245.85 | -244.99 | -244.99 | -245.59 | -245.41 | -245.10 | -245.09 | -245.14 | -245.13 | -245.12 | -245.12 | -245.12 | -245.11 | -245.10 | -245.09 | -245.06 | -244.94 |
| Quote Progetto | | | | | | | | | | | -245.13 | -247.94 | -248.00 | -247.91 | -247.81 | -247.77 | -247.78 | -245.06 | -244.94 |

SEZIONE N. B(A8)-30

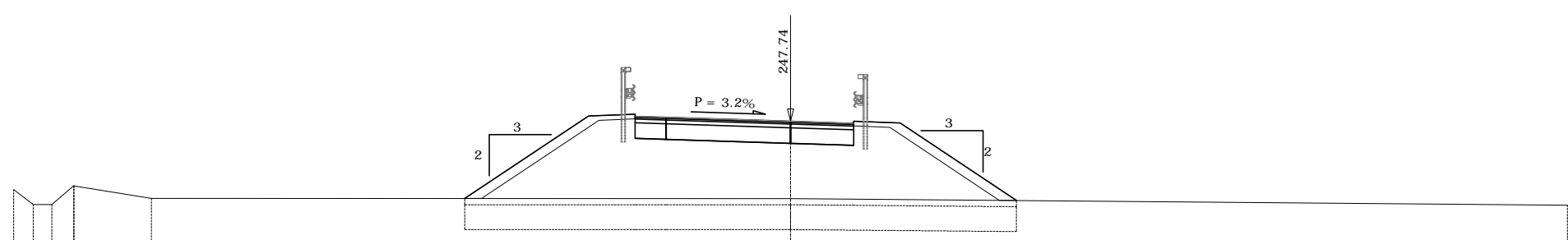
PROGR. 560.00

QP = 247.74

ml 20.17 da sez.n. B(A8)-29 → → ml 20.00 a sez.n. B(A8)-31

SEZIONE N. B(A8)-30

| | |
|--------------------------|-------|
| Rilevato (mq) | 27.30 |
| Scavo (mq) | 0.00 |
| Scotico (m) | 17.75 |
| Bonifica (mq) | 14.20 |
| Ammorsamento (mq) | 0.00 |
| Terreno vegetale sx (mq) | 1.60 |
| Terreno vegetale dx (mq) | 1.51 |
| Usura drenante (m) | 7.03 |
| Binder (m) | 7.03 |
| Base bitumata (m) | 7.03 |
| Base cementata (m) | 7.03 |
| Fondazione (m) | 7.03 |



| | | | | | | | | | | | | | | | | |
|----------------|-------------------|---------|---------|---------|---------|---------|---------|---------|---------|---------|---------|---------|---------|---------|---------|---------|
| Terreno | Dist. parziali | 0.63 | 0.60 | 0.70 | 2.49 | 10.09 | 3.98 | 1.50 | 1.00 | 4.00 | 2.03 | 1.50 | 3.74 | 17.73 | | |
| | Dist. progressive | -245.54 | -245.06 | -245.06 | -245.66 | -245.26 | -245.25 | -245.25 | -247.91 | -247.97 | -247.90 | -247.87 | -247.74 | -247.67 | -245.19 | -245.04 |
| Quote Terreno | | -245.54 | -245.06 | -245.06 | -245.66 | -245.26 | -245.25 | -245.25 | -247.91 | -247.97 | -247.90 | -247.87 | -247.74 | -247.67 | -245.19 | -245.04 |
| Progetto | Dist. parziali | | | | | | 3.98 | 1.50 | 1.00 | 4.00 | 2.03 | 1.50 | 3.74 | | | |
| | Dist. progressive | | | | | | -245.25 | -247.91 | -247.97 | -247.90 | -247.87 | -247.74 | -247.67 | -245.19 | -245.04 | |
| Quote Progetto | | | | | | | -245.25 | -247.91 | -247.97 | -247.90 | -247.87 | -247.74 | -247.67 | -245.19 | -245.04 | |

233.00

SEZIONE N. B(A8)-31

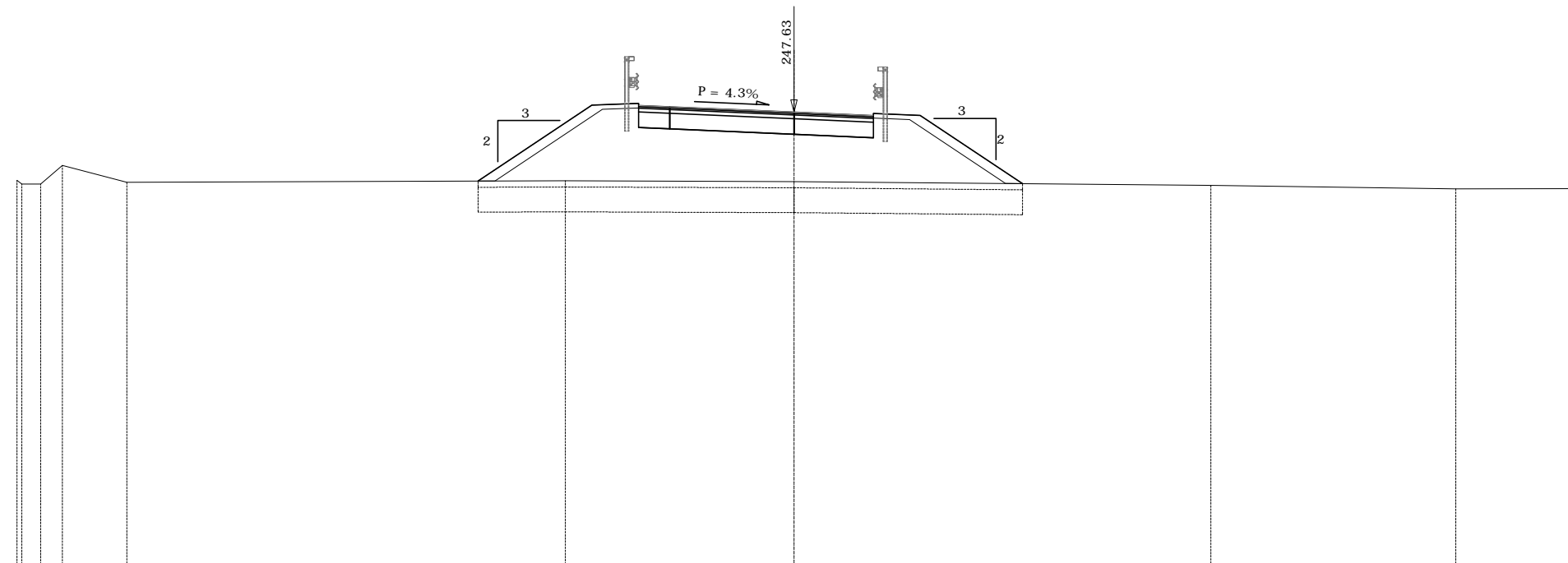
PROGR. 580.00

QP = 247.63

ml 20.00 da sez.n. B(A8)-30 → → ml 20.00 a sez.n. B(A8)-32

SEZIONE N. B(A8)-31

| | |
|--------------------------|-------|
| Rilevato (mq) | 24.05 |
| Scavo (mq) | 0.00 |
| Scotico (m) | 17.52 |
| Bonifica (mq) | 14.01 |
| Ammorsamento (mq) | 0.00 |
| Terreno vegetale sx (mq) | 1.49 |
| Terreno vegetale dx (mq) | 1.35 |
| Usura drenante (m) | 7.56 |
| Binder (m) | 7.56 |
| Base bitumata (m) | 7.56 |
| Base cementata (m) | 7.56 |
| Fondazione (m) | 7.56 |



233.00

| | | | | | | | | | | | | | | | | | | | |
|----------------|-------------------|---------|---------|---------|---------|---------|---------|---------|---------|---------|---------|---------|---------|---------|---------|---------|---------|---------|---------|
| Terreno | Dist. parziali | 0.16 | 0.60 | 0.70 | 2.07 | | 11.31 | 2.81 | 0.86 | 1.50 | 1.00 | 4.00 | 2.56 | 1.50 | 3.30 | 6.06 | 7.88 | 3.70 | |
| | Dist. progressive | -245.43 | -245.32 | -245.32 | -245.92 | -245.37 | -245.41 | -245.42 | -245.41 | -245.39 | -245.37 | -245.36 | -245.39 | -245.37 | -245.36 | -245.33 | -245.27 | -245.16 | -245.10 |
| Quote Terreno | | -245.43 | -245.32 | -245.32 | -245.92 | -245.37 | -245.41 | -245.42 | -245.41 | -245.39 | -245.37 | -245.36 | -245.39 | -245.37 | -245.36 | -245.33 | -245.27 | -245.16 | -245.10 |
| Progetto | Dist. parziali | | | | | | 3.66 | 1.50 | 1.00 | 4.00 | 2.56 | 1.50 | 3.30 | | | | | | |
| | Dist. progressive | | | | | | -245.41 | -247.85 | -247.91 | -247.84 | -247.80 | -247.63 | -247.52 | -247.59 | -247.53 | -245.33 | | | |
| Quote Progetto | | | | | | | -245.41 | -247.85 | -247.91 | -247.84 | -247.80 | -247.63 | -247.52 | -247.59 | -247.53 | -245.33 | | | |

SEZIONE N. B(A8)-34

PROGR. 634.83

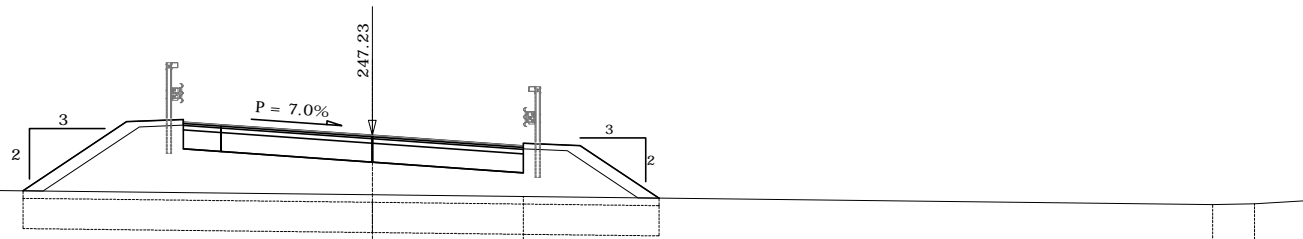
QP = 247.23

ml 14.83 da sez.n. B(A8)-33 → ← ml 25.17 a sez.n. B(A8)-35

SEZIONE N. B(A8)-34

| | |
|--------------------------|-------|
| Rilevato (mq) | 14.83 |
| Scavo (mq) | 0.00 |
| Scotico (m) | 16.82 |
| Bonifica (mq) | 13.46 |
| Ammorsamento (mq) | 0.00 |
| Terreno vegetale sx (mq) | 1.15 |
| Terreno vegetale dx (mq) | 0.91 |
| Usura drenante (m) | 9.02 |
| Binder (m) | 9.02 |
| Base bitumata (m) | 9.02 |
| Base cementata (m) | 9.02 |
| Fondazione (m) | 9.02 |

233.00



| | | | | | | | | | | | | | | | | | | | | | | | | | | | |
|----------------|-------------------|---------|--------|---------|--------|---------|-------|---------|-------|---------|-------|---------|-------|---------|-------|---------|-------|---------|-------|---------|-------|---------|--------|---------|--------|---------|--------|
| Terreno | Dist. parziali | 5.41 | 10.35 | 2.74 | 1.50 | 1.00 | 4.00 | 4.00 | 1.50 | 2.08 | 14.65 | 1.11 | 1.65 | | | | | | | | | | | | | | |
| | Dist. progressive | -245.85 | -25.00 | -245.88 | -19.59 | -245.76 | -9.24 | -245.73 | -6.50 | -245.72 | -5.00 | -245.70 | -4.00 | -245.66 | 0.00 | -245.61 | -4.00 | -245.59 | -5.50 | -245.57 | -7.58 | -245.40 | -22.24 | -245.42 | -23.35 | -245.52 | -25.00 |
| Quote Terreno | | -245.85 | -25.00 | -245.88 | -19.59 | -245.76 | -9.24 | -245.73 | -6.50 | -245.72 | -5.00 | -245.70 | -4.00 | -245.66 | 0.00 | -245.61 | -4.00 | -245.59 | -5.50 | -245.57 | -7.58 | -245.40 | -22.24 | -245.42 | -23.35 | -245.52 | -25.00 |
| Progetto | Dist. parziali | 2.74 | 1.50 | 1.00 | 4.00 | 4.00 | 1.50 | 2.08 | | | | | | | | | | | | | | | | | | | |
| | Dist. progressive | -245.76 | -9.24 | -247.59 | -6.50 | -247.65 | -5.00 | -247.58 | -4.00 | -247.23 | 0.00 | -246.95 | -4.00 | -247.02 | -5.50 | -246.96 | -5.50 | -245.57 | -7.58 | | | | | | | | |
| Quote Progetto | | -245.76 | -9.24 | -247.59 | -6.50 | -247.65 | -5.00 | -247.58 | -4.00 | -247.23 | 0.00 | -246.95 | -4.00 | -247.02 | -5.50 | -246.96 | -5.50 | -245.57 | -7.58 | | | | | | | | |

SEZIONE N. B(A8)-36

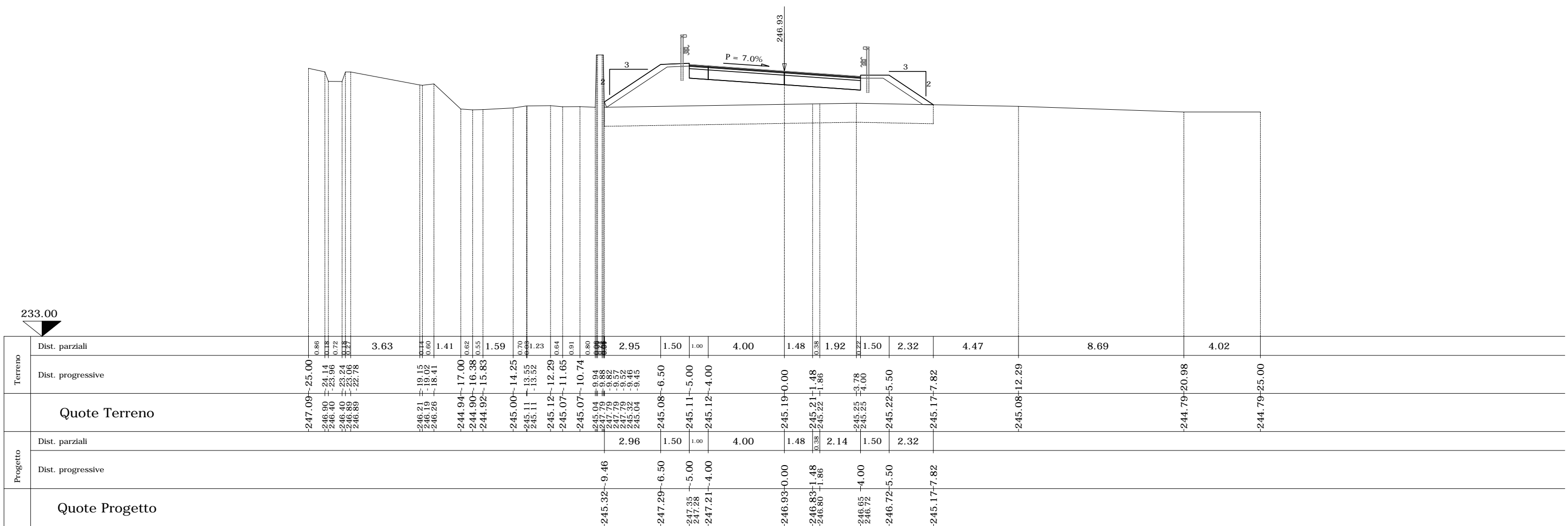
PROGR. 678.17

QP = 246.93

ml 18.17 da sez.n. B(A8)-35 a ml 21.83 a sez.n. B(A8)-37

SEZIONE N. B(A8)-36

| | |
|--------------------------|-------|
| Rilevato (mq) | 18.37 |
| Scavo (mq) | 0.00 |
| Scotico (m) | 0.00 |
| Bonifica (mq) | 0.00 |
| Ammorsamento (mq) | 0.00 |
| Terreno vegetale sx (mq) | 1.30 |
| Terreno vegetale dx (mq) | 1.00 |
| Usura drenante (m) | 9.02 |
| Binder (m) | 9.02 |
| Base bitumata (m) | 9.02 |
| Base cementata (m) | 9.02 |
| Fondazione (m) | 9.02 |



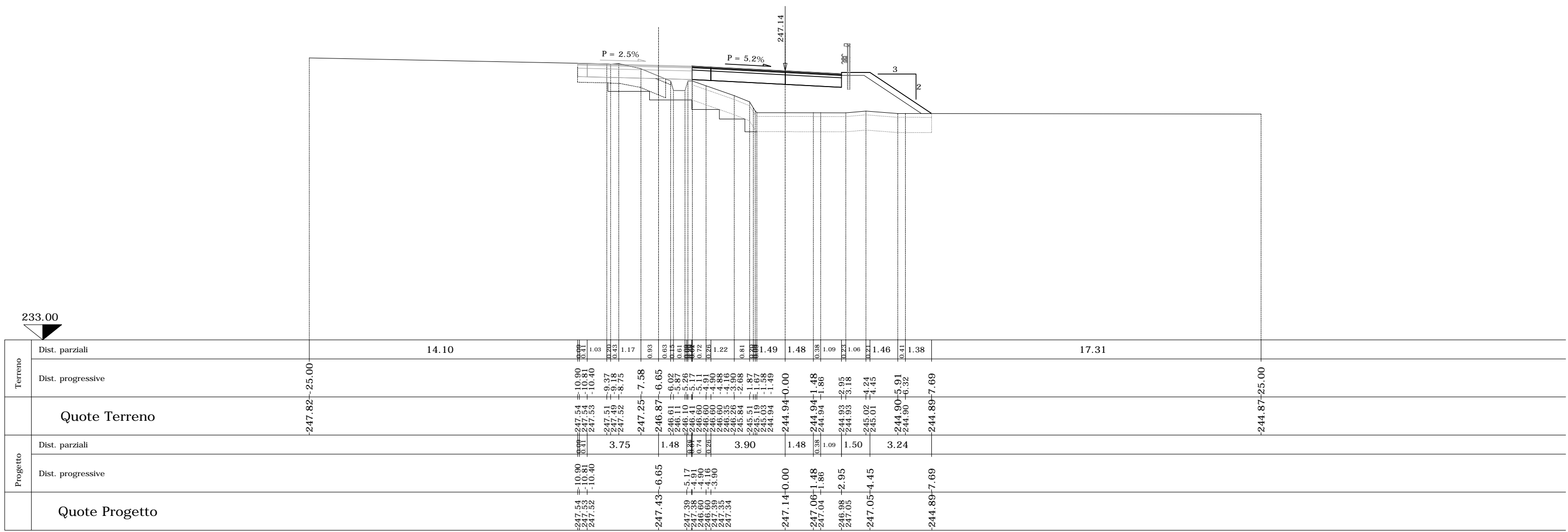
SEZIONE N. CS-11 SEZIONE N. B(A8)-38

PROGR. 717.93
 QP = 247.43 QP = 247.14

ml 17.93 da sez.n. B(A8)-37 a ml 22.07 a sez.n. B(A8)-39

| SEZIONE N. B(A8)-38 | |
|--------------------------|-------|
| Rilevato (mq) | 13.68 |
| Scavo (mq) | 0.00 |
| Scotico (m) | 12.59 |
| Bonifica (mq) | 10.07 |
| Ammorsamento (mq) | 2.77 |
| Terreno vegetale sx (mq) | 0.00 |
| Terreno vegetale dx (mq) | 1.33 |
| Usura drenante (m) | 7.86 |
| Binder (m) | 7.86 |
| Base bitumata (m) | 7.86 |
| Base cementata (m) | 7.86 |
| Fondazione (m) | 7.86 |

CARREGGIATA SUD COMPLANARE
 AUTOSTRADA A8 SUD



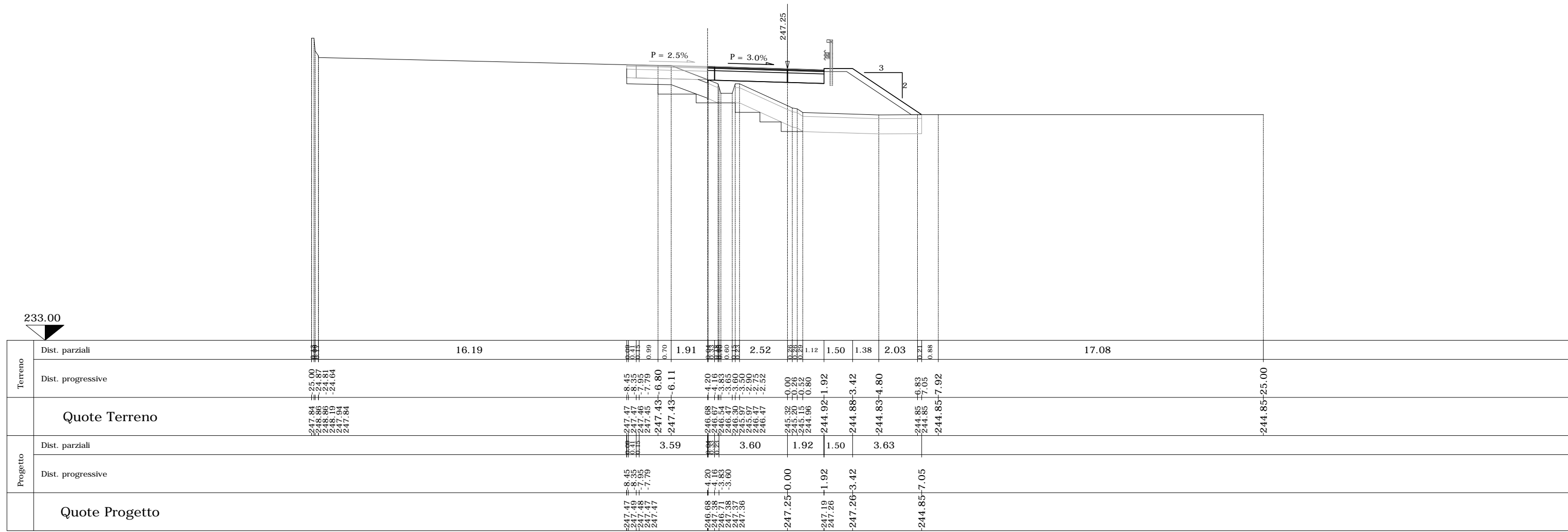
SEZIONE N. CS-12 SEZIONE N. B(A8)-39

PROGR. 740.00
 QP = 247.38 QP = 247.25

ml 22.07 da sez.n. B(A8)-38 a ml 20.00 a sez.n. B(A8)-40

| SEZIONE N. B(A8)-39 | |
|--------------------------|-------|
| Rilevato (mq) | 11.61 |
| Scavo (mq) | 0.00 |
| Scotico (m) | 11.25 |
| Bonifica (mq) | 9.00 |
| Ammorsamento (mq) | 1.29 |
| Terreno vegetale sx (mq) | 0.00 |
| Terreno vegetale dx (mq) | 1.47 |
| Usura drenante (m) | 6.12 |
| Binder (m) | 6.12 |
| Base bitumata (m) | 6.12 |
| Base cementata (m) | 6.12 |
| Fondazione (m) | 6.12 |

CARREGGIATA SUD COMPLANARE
 AUTOSTRADA A8 SUD



| Terreno | Dist. parziali | 16.19 | 1.91 | 2.52 | 1.12 | 1.50 | 1.38 | 2.03 | 0.21 | 0.88 | 17.08 |
|----------------|-------------------|---|------------------------------|---|--|----------------------|--------------|------|--------------|--------------|-------|
| | Dist. progressive | 25.00 248.86 248.81 248.19 247.94 247.84 | 8.45 8.35 7.95 6.80 | 6.11 | 4.20 4.16 3.83 3.65 3.60 3.90 2.90 2.75 2.52 | 0.00 0.25 0.86 | 1.92 | 3.42 | 4.80 | 6.83 7.05 | 7.92 |
| Progetto | Dist. parziali | | 5.59 | 3.60 | 1.92 | 1.50 | 3.63 | | | | |
| | Dist. progressive | | 8.45 8.35 7.95 7.79 | 4.20 4.16 3.83 3.60 | 0.00 -1.92 | 3.42 | | | 6.83 7.05 | | |
| Quote Progetto | | | -247.47 | -246.08 -247.38 -246.71 -247.37 -247.36 | -247.25+0.00 | -247.19 -247.26 | -247.26+3.42 | | -244.85+7.05 | | |

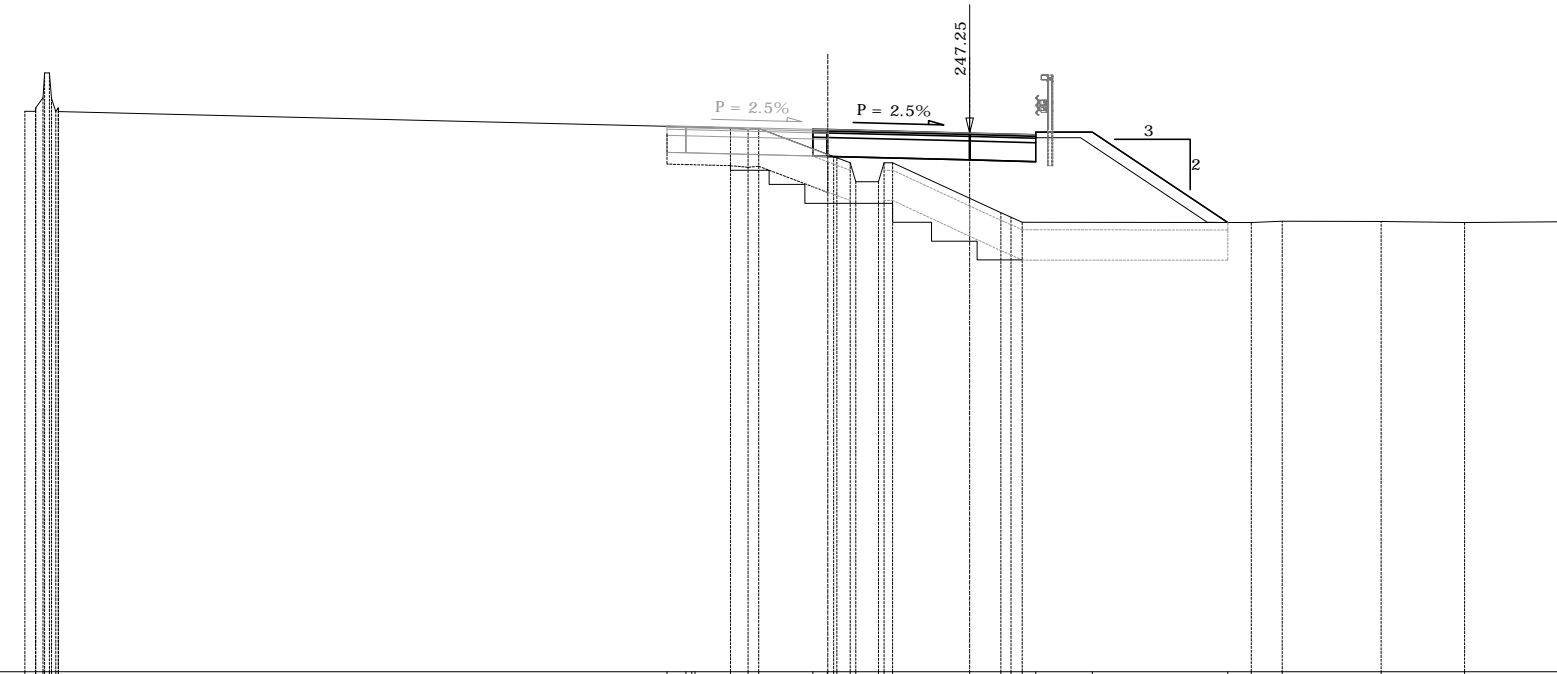
SEZIONE N. CS-13 SEZIONE N. B(A8)-40

QP = 247.34 Progr. 760.00
 QP = 247.25

ml 20.00 da sez.n. B(A8)-39 ml 13.16 a sez.n. B(A8)-41

| SEZIONE N. B(A8)-40 | |
|--------------------------|-------|
| Rilevato (mq) | 10.53 |
| Scavo (mq) | 0.04 |
| Scotico (m) | 10.98 |
| Bonifica (mq) | 8.79 |
| Ammorsamento (mq) | 2.34 |
| Terreno vegetale sx (mq) | 0.00 |
| Terreno vegetale dx (mq) | 1.45 |
| Usura drenante (m) | 5.90 |
| Binder (m) | 5.90 |
| Base bitumata (m) | 5.90 |
| Base cementata (m) | 5.90 |
| Fondazione (m) | 5.90 |

CARREGGIATA SUD COMPLANARE SUD
 AUTOSTRADA A8



| Terreno | Dist. parziali | 16.11 | | | | | | | | | | | | | | | | | | | | | | | | | | | | | | | | | | | | | | | | | | | | | | | | | | | | | | | | | | | | | | | | | | | | | | | | | | | | | | | | | | | |
|----------------|-------------------|--------|--------|--------|--------|--------|--------|--------|--------|--------|--------|--------|--------|--------|--------|--------|--------|--------|--------|--------|--------|--------|--------|--------|--------|--------|--------|--------|--------|--------|--------|--------|--------|--------|--------|--------|--------|--------|--------|--------|--------|--------|--------|--------|--------|--------|--------|--------|--------|--------|--------|--------|--------|--------|--------|--------|--------|--------|--------|--------|--------|--------|--------|--------|--------|--------|--------|--------|--------|--------|--------|--------|--------|--------|--------|--------|--------|--------|--------|--------|--------|--------|--------|--------|--------|
| | Dist. progressive | 247.83 | 247.82 | 247.81 | 247.80 | 247.79 | 247.78 | 247.77 | 247.76 | 247.75 | 247.74 | 247.73 | 247.72 | 247.71 | 247.70 | 247.69 | 247.68 | 247.67 | 247.66 | 247.65 | 247.64 | 247.63 | 247.62 | 247.61 | 247.60 | 247.59 | 247.58 | 247.57 | 247.56 | 247.55 | 247.54 | 247.53 | 247.52 | 247.51 | 247.50 | 247.49 | 247.48 | 247.47 | 247.46 | 247.45 | 247.44 | 247.43 | 247.42 | 247.41 | 247.40 | 247.39 | 247.38 | 247.37 | 247.36 | 247.35 | 247.34 | 247.33 | 247.32 | 247.31 | 247.30 | 247.29 | 247.28 | 247.27 | 247.26 | 247.25 | 247.24 | 247.23 | 247.22 | 247.21 | 247.20 | 247.19 | 247.18 | 247.17 | 247.16 | 247.15 | 247.14 | 247.13 | 247.12 | 247.11 | 247.10 | 247.09 | 247.08 | 247.07 | 247.06 | 247.05 | 247.04 | 247.03 | 247.02 | 247.01 | 247.00 |
| Progetto | Dist. parziali | 3.12 | | | | | | | | | | | | | | | | | | | | | | | | | | | | | | | | | | | | | | | | | | | | | | | | | | | | | | | | | | | | | | | | | | | | | | | | | | | | | | | | | | | |
| | Dist. progressive | 247.43 | 247.42 | 247.41 | 247.40 | 247.39 | 247.38 | 247.37 | 247.36 | 247.35 | 247.34 | 247.33 | 247.32 | 247.31 | 247.30 | 247.29 | 247.28 | 247.27 | 247.26 | 247.25 | 247.24 | 247.23 | 247.22 | 247.21 | 247.20 | 247.19 | 247.18 | 247.17 | 247.16 | 247.15 | 247.14 | 247.13 | 247.12 | 247.11 | 247.10 | 247.09 | 247.08 | 247.07 | 247.06 | 247.05 | 247.04 | 247.03 | 247.02 | 247.01 | 247.00 | | | | | | | | | | | | | | | | | | | | | | | | | | | | | | | | | | | | | | | | |
| Quote Terreno | | 247.83 | 247.82 | 247.81 | 247.80 | 247.79 | 247.78 | 247.77 | 247.76 | 247.75 | 247.74 | 247.73 | 247.72 | 247.71 | 247.70 | 247.69 | 247.68 | 247.67 | 247.66 | 247.65 | 247.64 | 247.63 | 247.62 | 247.61 | 247.60 | 247.59 | 247.58 | 247.57 | 247.56 | 247.55 | 247.54 | 247.53 | 247.52 | 247.51 | 247.50 | 247.49 | 247.48 | 247.47 | 247.46 | 247.45 | 247.44 | 247.43 | 247.42 | 247.41 | 247.40 | 247.39 | 247.38 | 247.37 | 247.36 | 247.35 | 247.34 | 247.33 | 247.32 | 247.31 | 247.30 | 247.29 | 247.28 | 247.27 | 247.26 | 247.25 | 247.24 | 247.23 | 247.22 | 247.21 | 247.20 | 247.19 | 247.18 | 247.17 | 247.16 | 247.15 | 247.14 | 247.13 | 247.12 | 247.11 | 247.10 | 247.09 | 247.08 | 247.07 | 247.06 | 247.05 | 247.04 | 247.03 | 247.02 | 247.01 | 247.00 |
| Quote Progetto | | 247.43 | 247.42 | 247.41 | 247.40 | 247.39 | 247.38 | 247.37 | 247.36 | 247.35 | 247.34 | 247.33 | 247.32 | 247.31 | 247.30 | 247.29 | 247.28 | 247.27 | 247.26 | 247.25 | 247.24 | 247.23 | 247.22 | 247.21 | 247.20 | 247.19 | 247.18 | 247.17 | 247.16 | 247.15 | 247.14 | 247.13 | 247.12 | 247.11 | 247.10 | 247.09 | 247.08 | 247.07 | 247.06 | 247.05 | 247.04 | 247.03 | 247.02 | 247.01 | 247.00 | | | | | | | | | | | | | | | | | | | | | | | | | | | | | | | | | | | | | | | | |

SEZIONE N. CS-15 SEZIONE N. B(A8)-42

PROGR. 800.00
 QP = 247.23 QP = 247.14

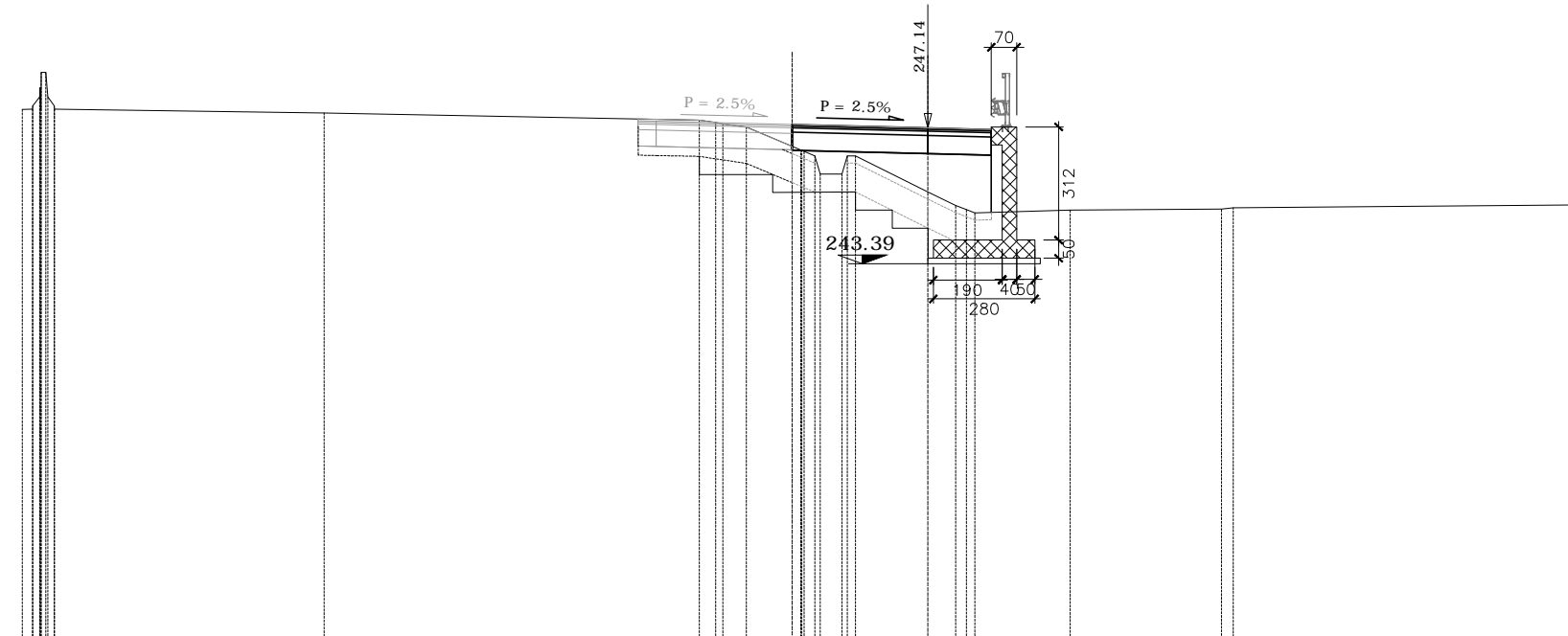
ml 26.84 da sez.n. B(A8)-41 ml 20.00 a sez.n. B(A8)-43

| SEZIONE N. B(A8)-42 | |
|--------------------------|------|
| Rilevato (mq) | 4.20 |
| Scavo (mq) | 0.01 |
| Scotico (m) | 5.50 |
| Bonifica (mq) | 4.40 |
| Ammorsamento (mq) | 1.36 |
| Terreno vegetale sx (mq) | 0.00 |
| Terreno vegetale dx (mq) | 0.00 |
| Usura drenante (m) | 5.50 |
| Binder (m) | 5.50 |
| Base bitumata (m) | 5.50 |
| Base cementata (m) | 5.50 |
| Fondazione (m) | 5.50 |

CARREGGIATA SUD
 AUTOSTRADA A8

COMPLANARE
 SUD

MURO DI
 SOSTEGNO
 OS69



| Terreno | Dist. parziali | 0.50 0.60 0.86 0.45 0.20 0.65 1.26 0.60 0.60 0.23 0.77 0.23 0.46 | 7.45 | 8.67 | 2.00 | 2.18 | 4.18 | 9.36 |
|----------------|-------------------|--|---------|---|--|---------|---------|--------------------|
| | Dist. progressive | 8.00 8.60 9.46 10.31 10.76 11.41 12.67 13.93 | 16.67 | | | 3.93 | | 17.79 |
| Quote Terreno | | -247.65 -247.65 -247.75 -248.00 -247.75 -248.67 -247.99 -247.65 | -247.55 | -247.38 -247.37 -247.37 -247.37 -247.35 -247.29 -247.16 | -246.63 -246.51 -246.49 -246.37 -245.87 -246.37 | -245.37 | -244.87 | -244.90 -244.93 |
| Progetto | Dist. parziali | 0.50 0.60 0.86 0.45 0.20 0.65 1.26 0.60 0.60 0.23 0.77 0.23 0.46 | 3.42 | 3.42 | 1.75 | | | |
| | Dist. progressive | 8.00 8.60 9.46 10.31 10.76 11.41 12.67 13.93 | | | 1.75 | | | |
| Quote Progetto | | -247.38 -247.34 -247.33 -247.32 -247.32 | | -246.63 -246.51 -247.23 -247.22 | -247.14 | -247.09 | -244.80 | |

SEZIONE N. CS-16 SEZIONE N. B(A8)-43

PROGR. 820.00
 QP = 247.16 QP = 247.06

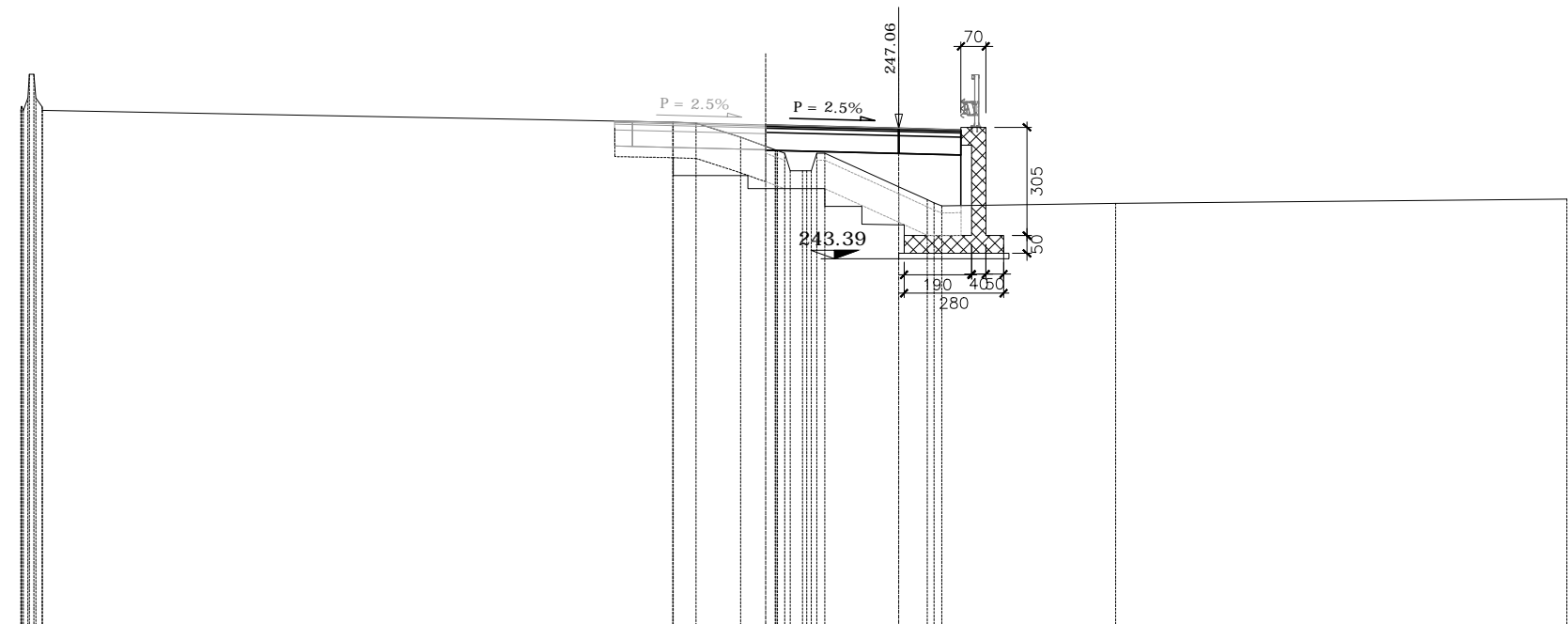
ml 20.00 da sez.n. B(A8)-42 a ml 25.67 a sez.n. B(A8)-44

| SEZIONE N. B(A8)-43 | |
|--------------------------|------|
| Rilevato (mq) | 3.71 |
| Scavo (mq) | 0.02 |
| Scotico (m) | 5.50 |
| Bonifica (mq) | 4.40 |
| Ammorsamento (mq) | 1.24 |
| Terreno vegetale sx (mq) | 0.00 |
| Terreno vegetale dx (mq) | 0.00 |
| Usura drenante (m) | 5.50 |
| Binder (m) | 5.50 |
| Base bitumata (m) | 5.50 |
| Base cementata (m) | 5.50 |
| Fondazione (m) | 5.50 |

CARREGGIATA SUD
 AUTOSTRADA A8

COMPLANARE
 SUD

MURO DI
 SOSTEGNO
 OS69



| Terreno | Dist. parziali | 16.12 | 0.50 | 0.68 | 0.71 | 0.63 | 1.26 | 0.70 | 0.80 | 0.54 | 4.35 | 12.71 | -245.07-18.81 | | | | | | | | | | | |
|----------------|-------------------|---------|---------|---------|---------|---------|---------|---------|---------|---------|---------|---------|---------------|--------------|---------|---------|---------|---------|---------|---------|---------|---------|--------------|---------------|
| | Dist. progressive | 247.57 | 247.66 | 247.72 | 247.75 | 247.25 | 247.25 | 247.23 | 247.23 | 247.20 | 246.81 | 246.55 | 246.45 | 246.43 | 246.36 | 245.86 | 245.80 | 246.36 | 245.41 | 245.05 | 244.96 | 244.88 | -244.95-6.10 | |
| Progetto | Dist. parziali | 0.50 | 0.68 | 0.71 | 0.63 | 2.59 | 0.70 | 0.71 | 0.71 | 0.54 | 1.75 | 2.59 | 1.75 | -247.06-0.00 | -247.02 | 244.88 | | | | | | | | |
| | Dist. progressive | -247.26 | -247.23 | -247.24 | -247.24 | -247.24 | -247.22 | -247.22 | -247.22 | -247.22 | -247.12 | -247.15 | -247.15 | -247.15 | -247.15 | -247.15 | -247.13 | -247.12 | -247.06 | -247.06 | -247.02 | -244.88 | | |
| Quote Terreno | | 247.57 | 247.66 | 247.72 | 247.75 | 247.25 | 247.25 | 247.23 | 247.23 | 247.20 | 246.81 | 246.55 | 246.45 | 246.43 | 246.36 | 245.86 | 245.80 | 246.36 | 245.41 | 245.05 | 244.96 | 244.88 | -244.95-6.10 | -245.07-18.81 |
| Quote Progetto | | -247.26 | -247.23 | -247.24 | -247.24 | -247.22 | -247.22 | -247.22 | -247.22 | -247.12 | -247.15 | -247.15 | -247.15 | -247.15 | -247.15 | -247.13 | -247.12 | -247.06 | -247.06 | -247.02 | -244.88 | | | |

SEZIONE N. CS-17 SEZIONE N. B(A8)-44

QP = 247.13 PROGR. 845.67
 QP = 247.13 QP = 247.03

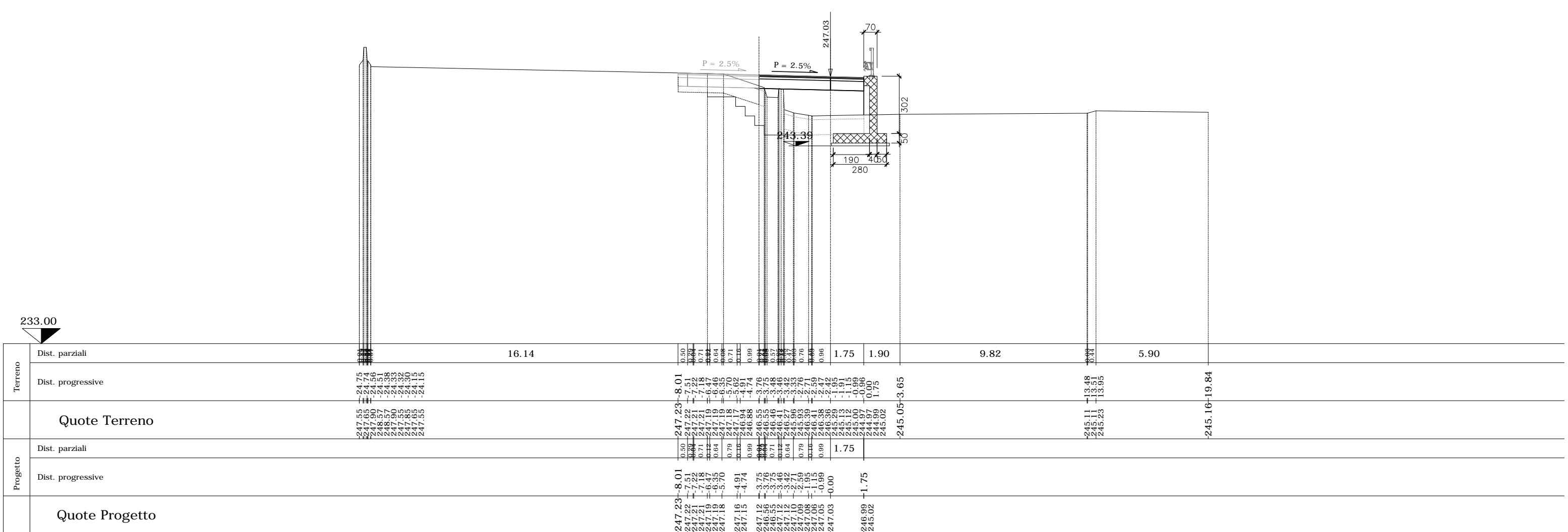
ml 25.67 da sez.n. B(A8)-43 ml 19.33 a sez.n. B(A8)-45

| SEZIONE N. B(A8)-44 | |
|--------------------------|------|
| Rilevato (mq) | 5.75 |
| Scavo (mq) | 0.02 |
| Scotico (m) | 5.50 |
| Bonifica (mq) | 4.40 |
| Ammorsamento (mq) | 1.12 |
| Terreno vegetale sx (mq) | 0.00 |
| Terreno vegetale dx (mq) | 0.00 |
| Usura drenante (m) | 5.50 |
| Binder (m) | 5.50 |
| Base bitumata (m) | 5.50 |
| Base cementata (m) | 5.50 |
| Fondazione (m) | 5.50 |

CARREGGIATA SUD
 AUTOSTRADA A8

COMPLANARE
 SUD

MURO DI
 SOSTEGNO
 OS69



SEZIONE N.CS-19 SEZIONE N. B(A8)-45 A

QP = 247.12 PROGR. 876.60
 QP = 247.08 QP = 247.08

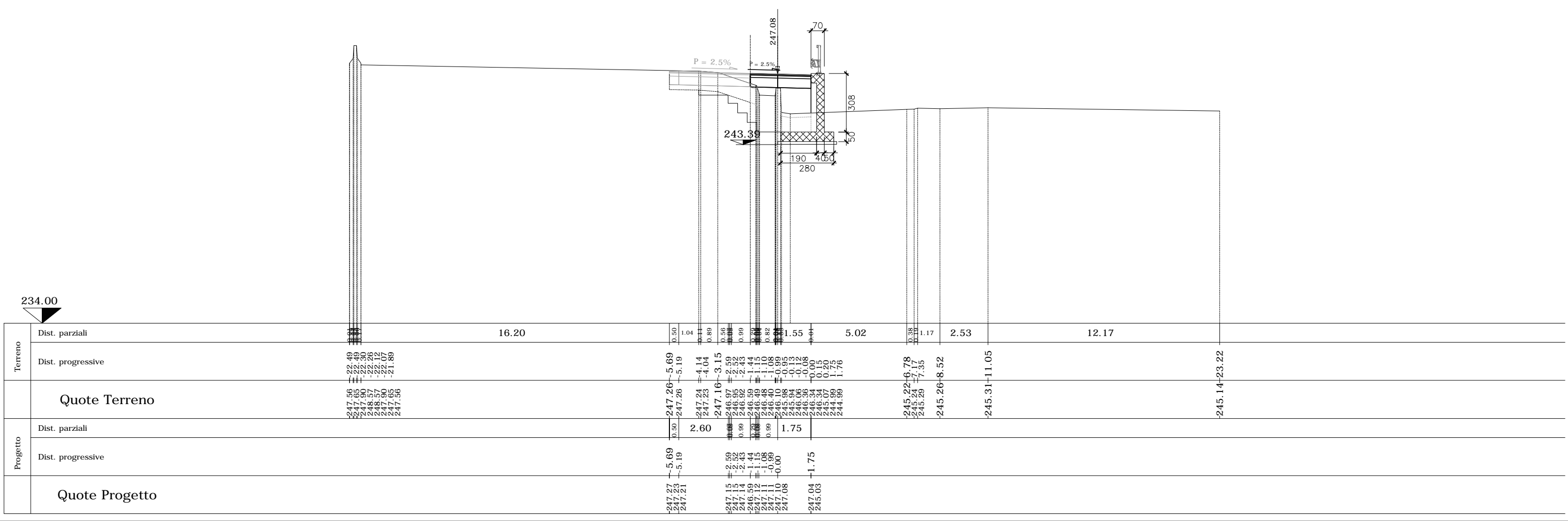
ml 11.60 da sez.n. B(A8)-45 ml 19.22 a sez.n. B(A8)-46

| SEZIONE N. B(A8)-45 A | |
|--------------------------|------|
| Rilevato (mq) | 2.46 |
| Scavo (mq) | 0.03 |
| Scotico (m) | 3.19 |
| Bonifica (mq) | 2.55 |
| Ammorsamento (mq) | 0.98 |
| Terreno vegetale sx (mq) | 0.00 |
| Terreno vegetale dx (mq) | 0.00 |
| Usura drenante (m) | 3.19 |
| Binder (m) | 3.19 |
| Base bitumata (m) | 3.19 |
| Base cementata (m) | 3.19 |
| Fondazione (m) | 3.19 |

CARREGGIATA SUD
 AUTOSTRADA A8

COMPLANARE
 SUD

MURO DI
 SOSTEGNO
 OS69



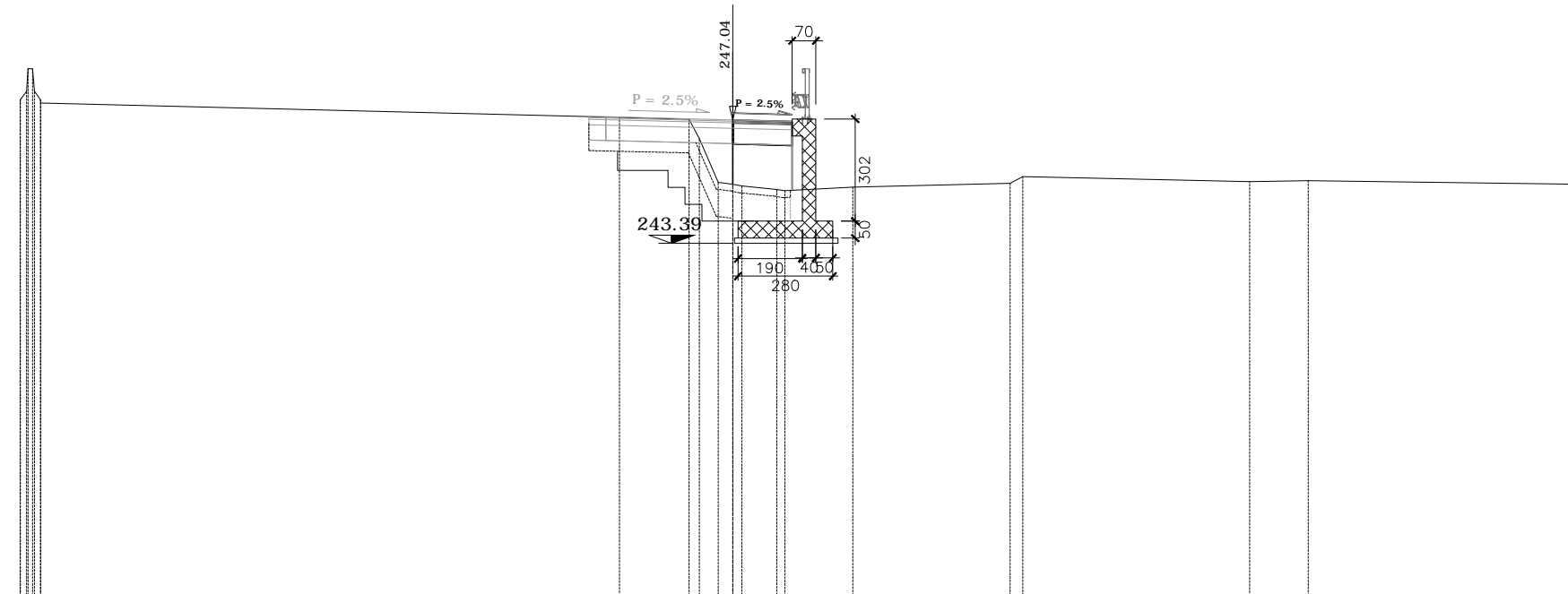
SEZIONE N. CS-20 SEZIONE N. B(A8)-46

QP = 247.04 Progr. 895.81
 QP = 247.04 QP = 247.04

ml 19.22 da sez.n. B(A8)-45A

| SEZIONE N. B(A8)-46 | |
|--------------------------|------|
| Rilevato (mq) | 2.23 |
| Scavo (mq) | 0.00 |
| Scotico (m) | 1.75 |
| Bonifica (mq) | 1.40 |
| Ammorsamento (mq) | 0.24 |
| Terreno vegetale sx (mq) | 0.00 |
| Terreno vegetale dx (mq) | 0.00 |
| Usura drenante (m) | 1.75 |
| Binder (m) | 1.75 |
| Base bitumata (m) | 1.75 |
| Base cementata (m) | 1.75 |
| Fondazione (m) | 1.75 |

CARREGGIATA SUD COMPLANARE MURO DI
 AUTOSTRADA A8 SUD SOSTEGNO
 OS69



| Terreno | Dist. parziali | 16.18 | 2.05 | 1.79 | 4.64 | 6.70 | 1.72 | 8.02 | 245.13 |
|----------------|-------------------|--------|--------|--------|--------|--------|--------|--------|--------|
| | Dist. progressive | 21.04 | 23.09 | 24.88 | 26.67 | 31.31 | 33.03 | 41.05 | 245.13 |
| Quote Terreno | | 247.54 | 247.13 | 246.06 | 245.19 | 245.14 | 244.98 | 245.05 | 245.16 |
| Progetto | Dist. parziali | 3.75 | 1.75 | | | | | | 245.13 |
| | Dist. progressive | 4.25 | 6.00 | 7.75 | | | | | 245.13 |
| Quote Progetto | | 247.13 | 245.14 | 246.99 | | | | | 245.13 |