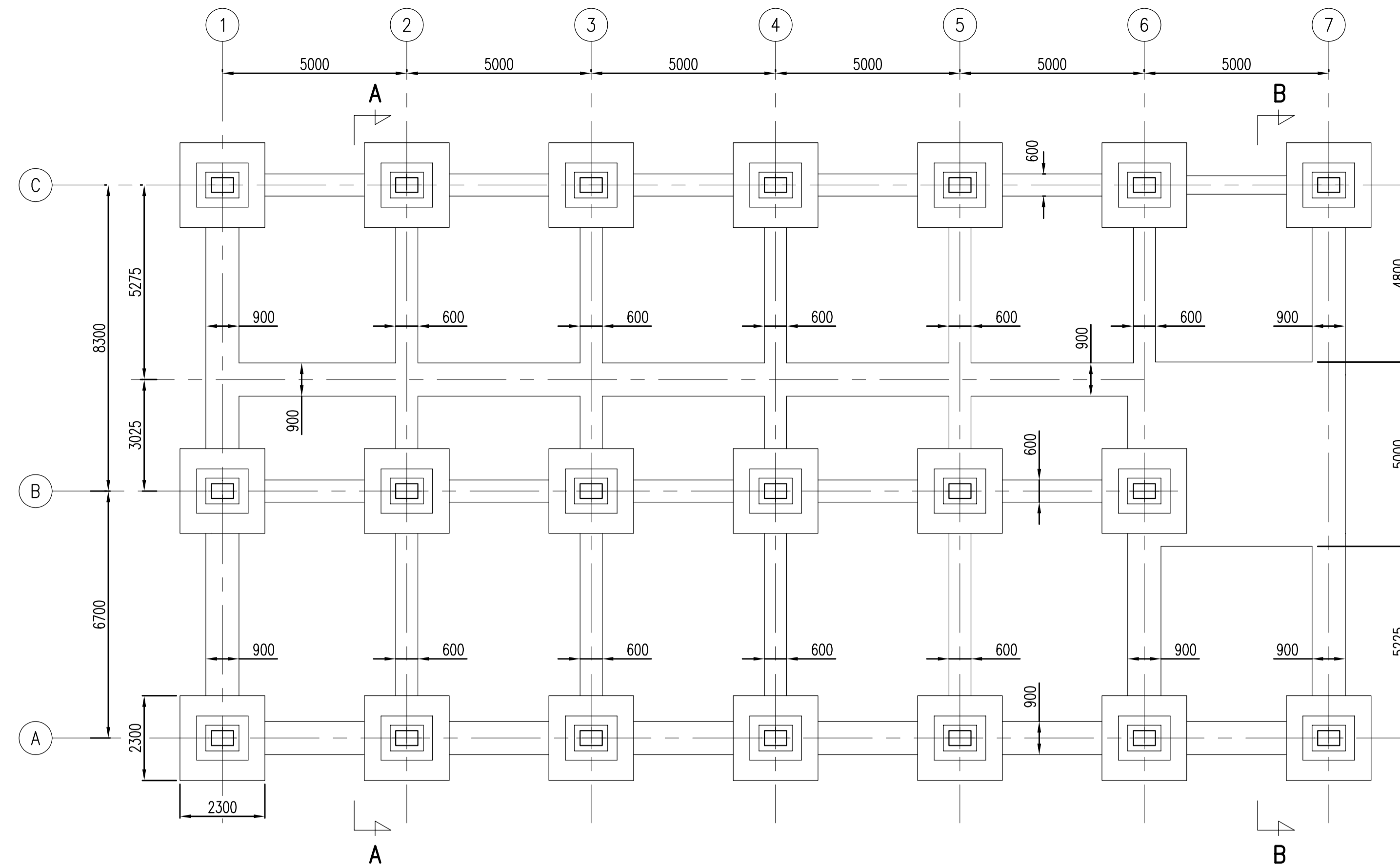
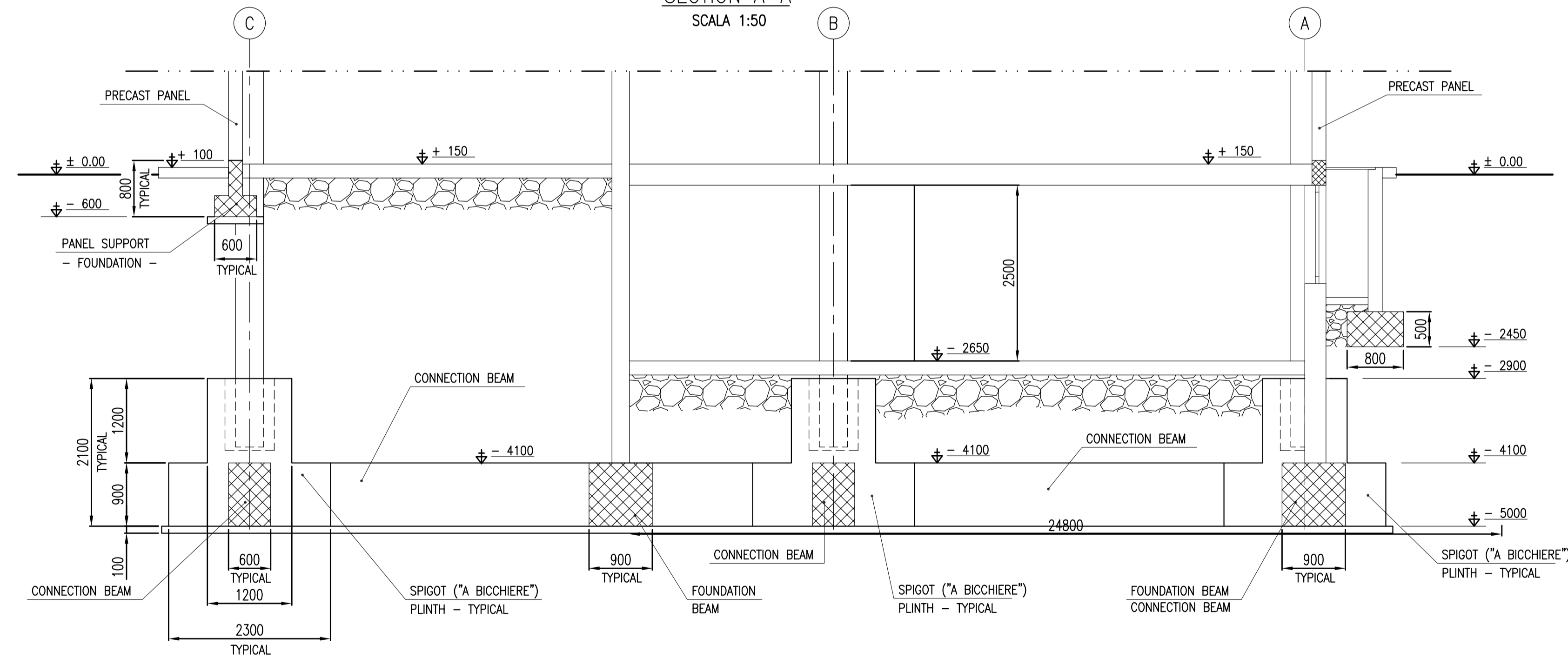


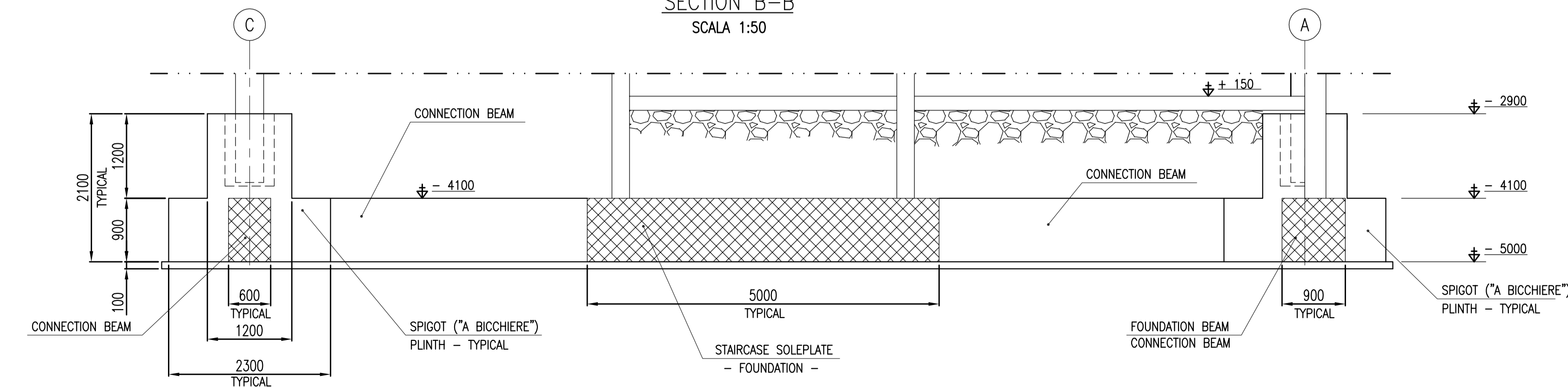
FOUNDATION PLANS



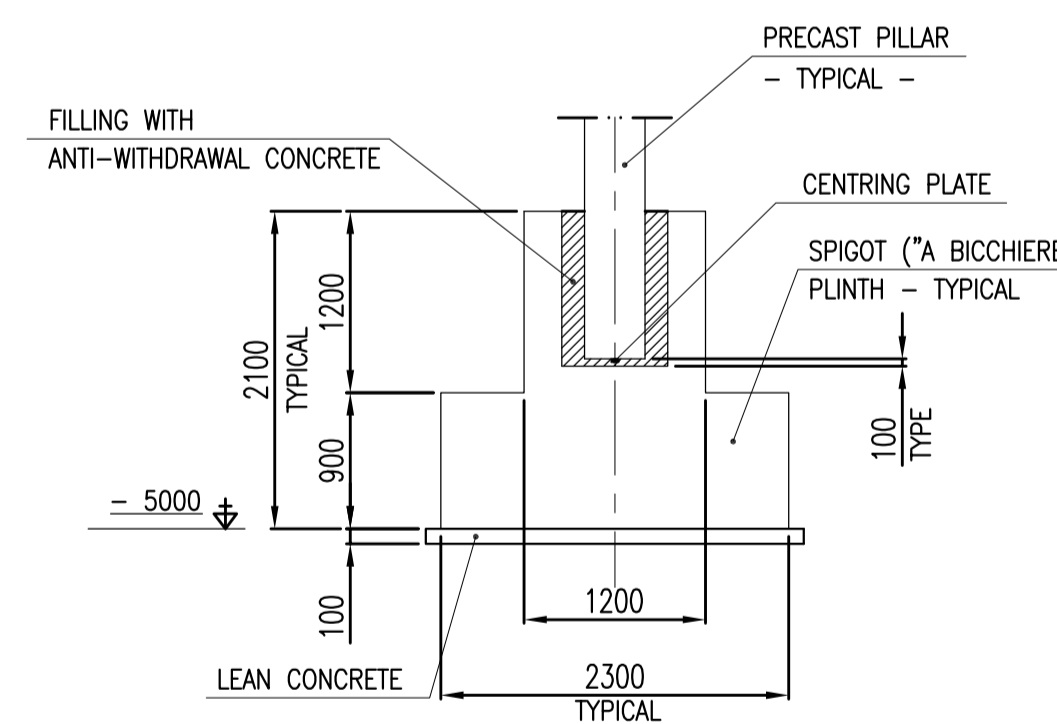
SECTION A-A  
SCALA 1:50



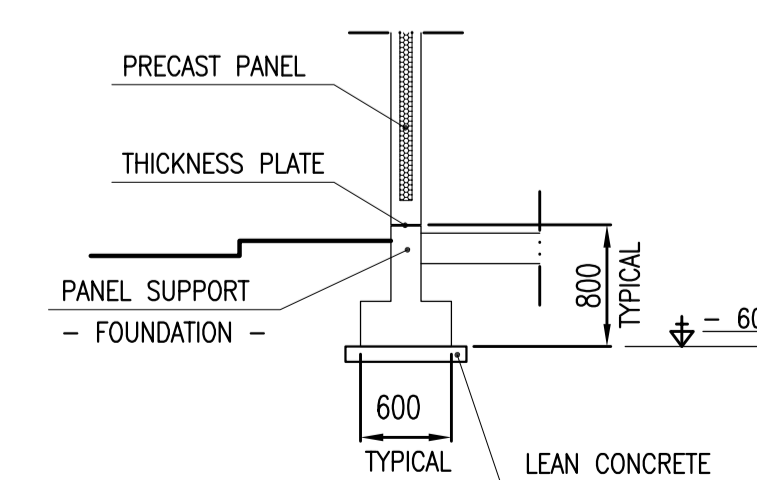
SECTION B-B  
SCALA 1:50



PLINTH DETAIL  
TYPICAL - SCALA 1:50



PANEL SUPPORT  
TYPICAL - SCALA 1:50



NOTE:

- ALL ELEVATIONS ARE REFERRED TO PLANT LEVEL ±0.00 CORRESPONDING TO m. 148 L.A.T.
- ALL DIMENSIONS AND ALL ELEVATIONS ARE EXPRESSED IN mm.
- THIS DRAWING IS STANDARD AND THE DIMENSIONS ARE INDICATIVE.
- FINAL TYPE AND SIZING OF FOUNDATIONS MUST BE CONFIRMED WITH THE ISSUE OF A "SITE GEOTECHNICAL REPORT" BY EPIC1 CONTRACTOR. USE OF CONCRETE PILES IS NOT EXCLUDED, LEAVING THAT CHOICE TO CONCLUSIONS OF "SITE GEOTECHNICAL REPORT" DURING DETAILED ENGINEERING.
- SPIGOT ("A BICCHIERE") PLINTH'S TYPE SHALL BE IN ACCORDANCE TO THE PRECAST PILLAR CONSTRUCTOR STANDARD.
- PANEL BEAM'S TYPE SHALL BE IN ACCORDANCE TO THE PRECAST PANEL CONSTRUCTOR STANDARD.
- POLYETHYLENE FOUNDATION SHEATHING.
- CENTRING AND THICKNESS PLATE SHALL BE SUPPLIED BY PRECAST CONSTRUCTOR. ANY OTHER ANCHOR BOLTS AND PLATE SHALL BE SUPPLIED BY CIVIL WORKS CONTRACTOR.

REV.	DATE	DESCRIZIONE / DESCRIPTION	DESIGN. DRAFT	CONTR. CHECK	APPROV. APPROV.	STATO REV. STATUS
V00	Luglio 10	Emissione				
			SAN BENEDETTO STOCCAGGIO			
IMPIANTO STOCCAGGIO GAS FONDAZIONI PALAZZINA MULTIUSO						
SCALA	SOSTITUISCE IL	SOSTITUITO DAL	AREA IMP.	UNITA' IMP.	IDENTIFICATIVO DOCUMENTO	FG / DI
1:100	SUPERSEDES N.	SUPERSEDED BY N.	PLANT AREA	PLANT UNIT	DOCUMENT IDENTIFIER	SH / OF
					101SBP-00-CSS-LY-05007	1 / 1