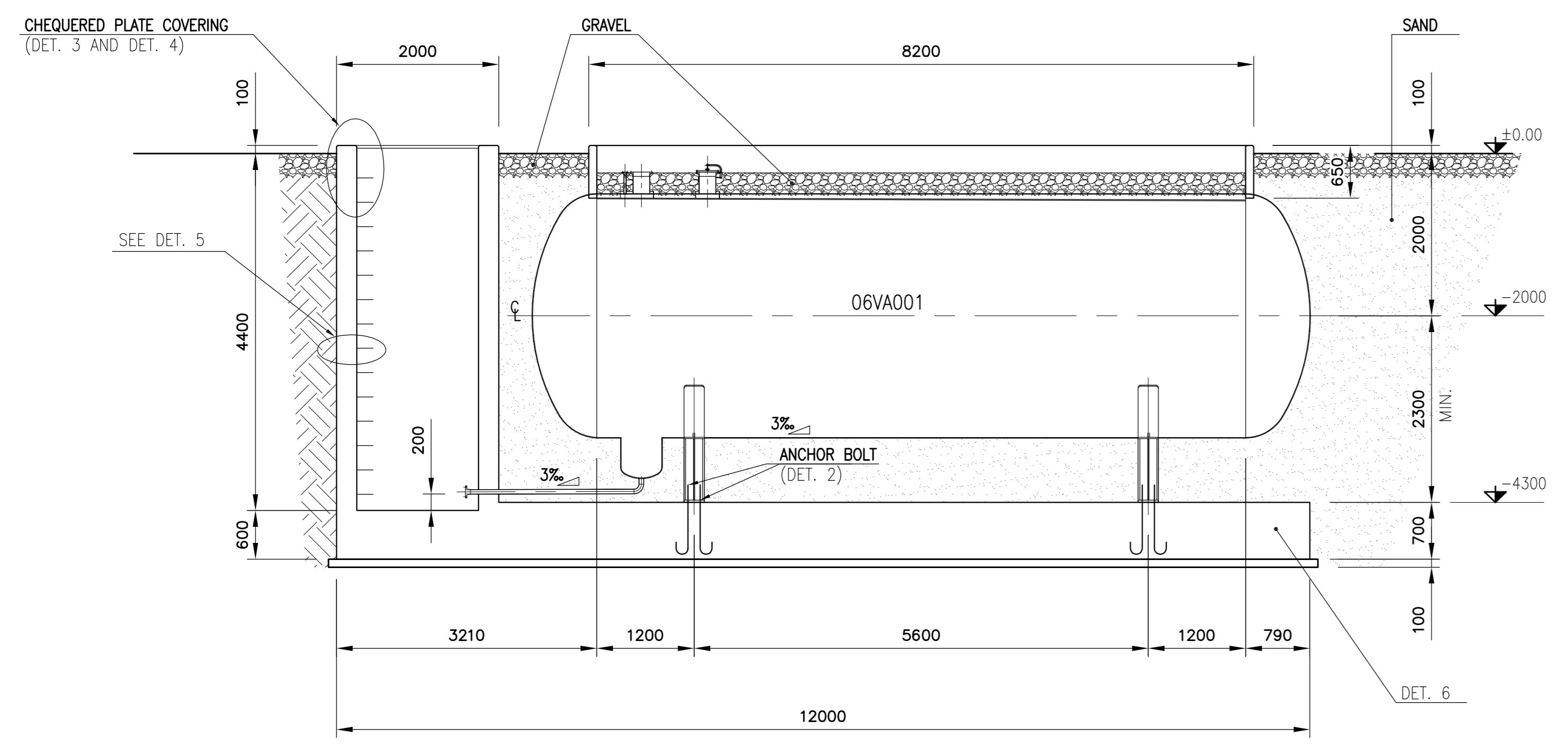
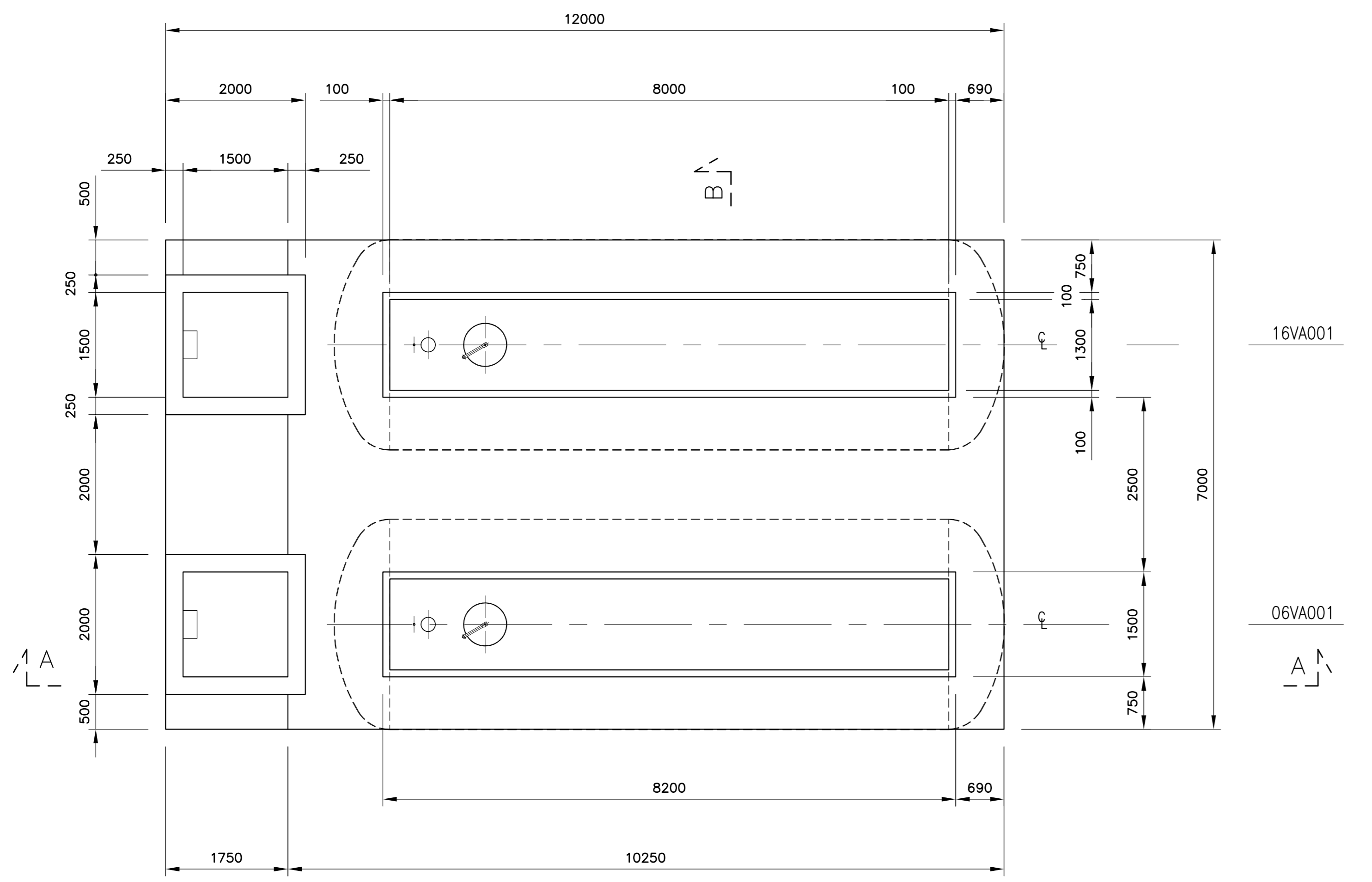
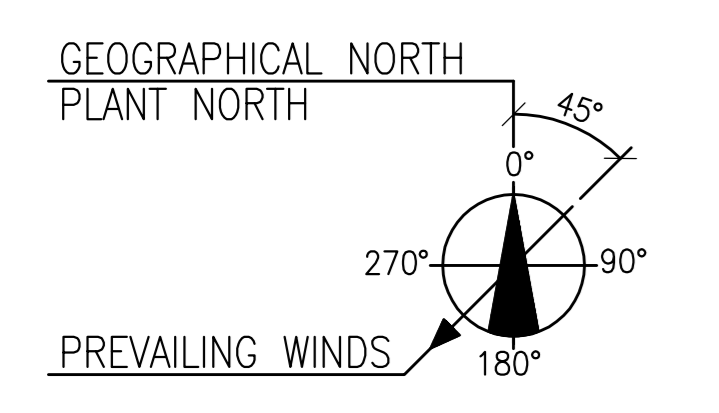


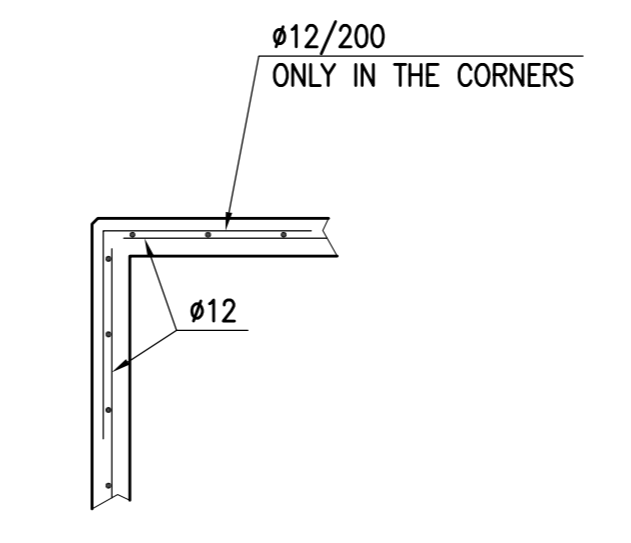
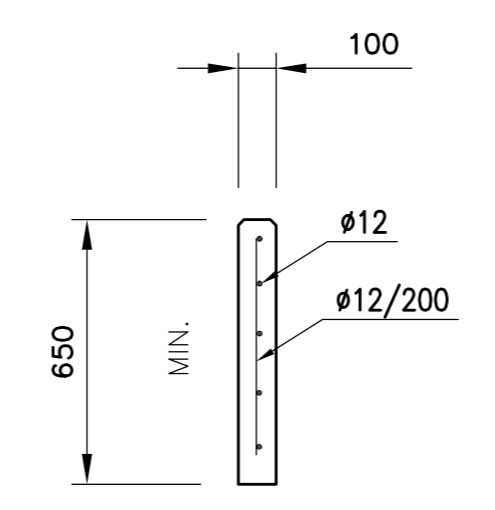
SECTION B-B



SECTION A-A

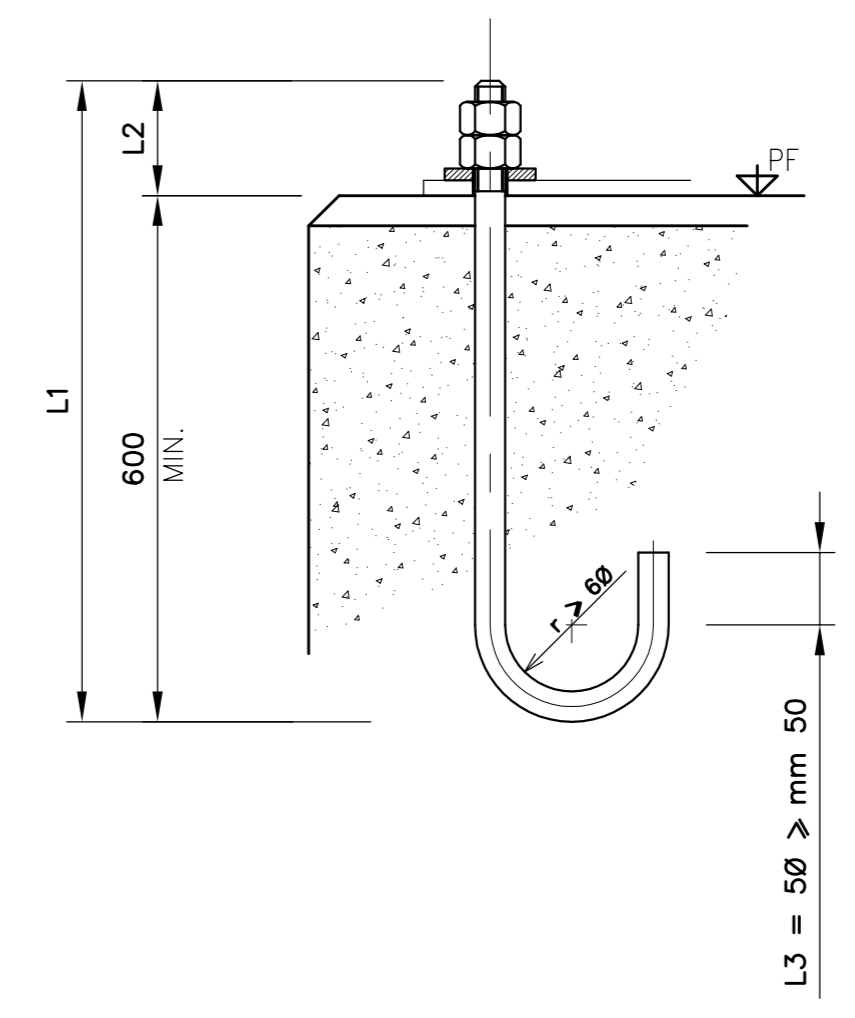


PLAN



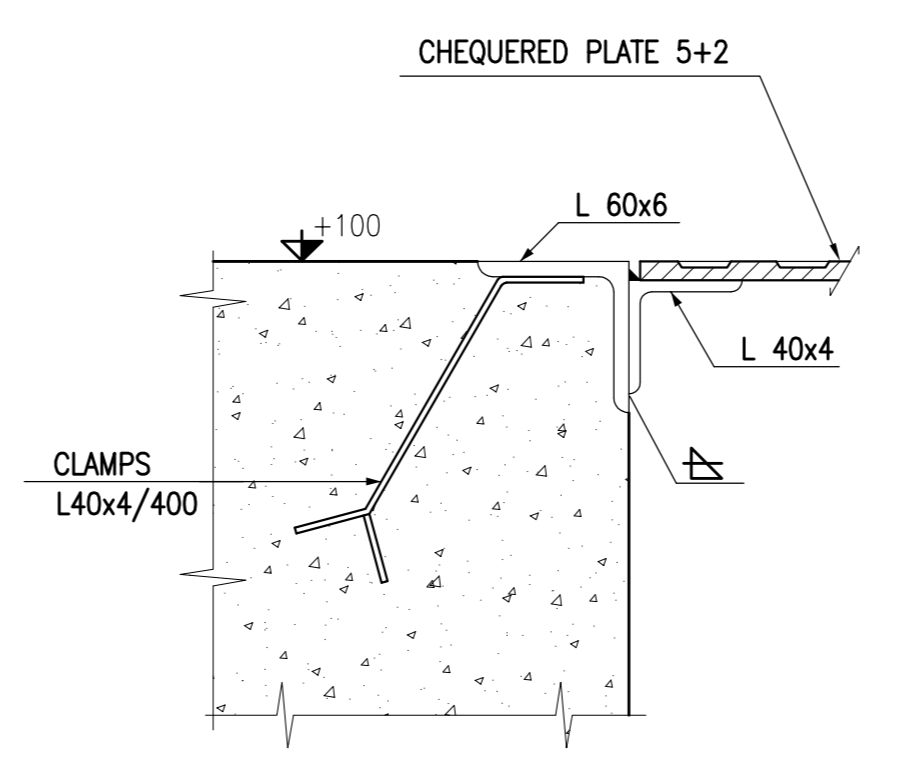
DETAIL 1

- TYPICAL - NOT IN SCALE



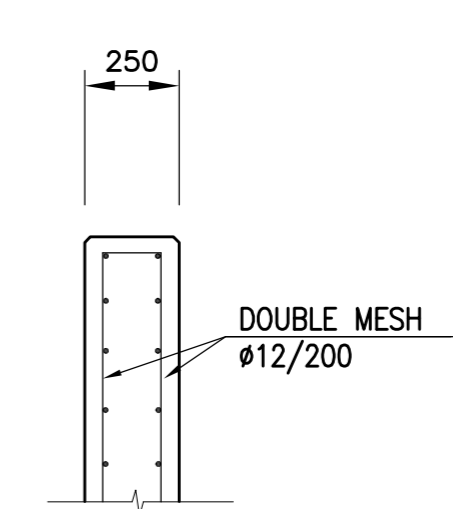
DETAIL 2

- TYPICAL - NOT IN SCALE



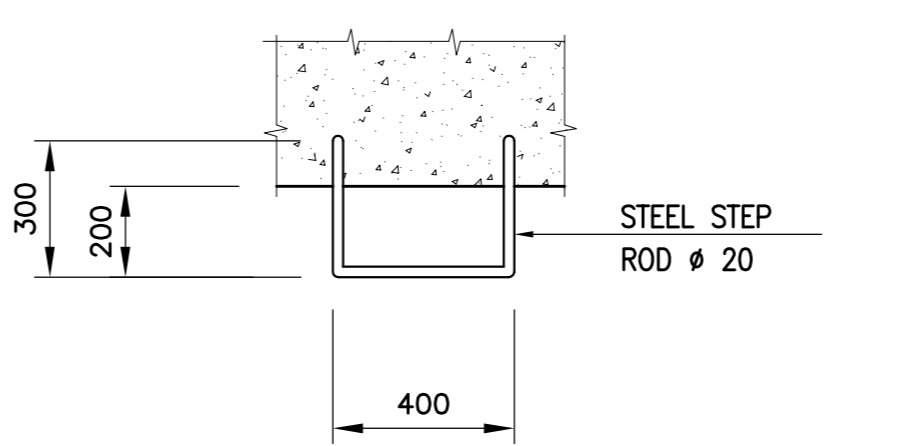
DETAIL 3

- TYPICAL - NOT IN SCALE



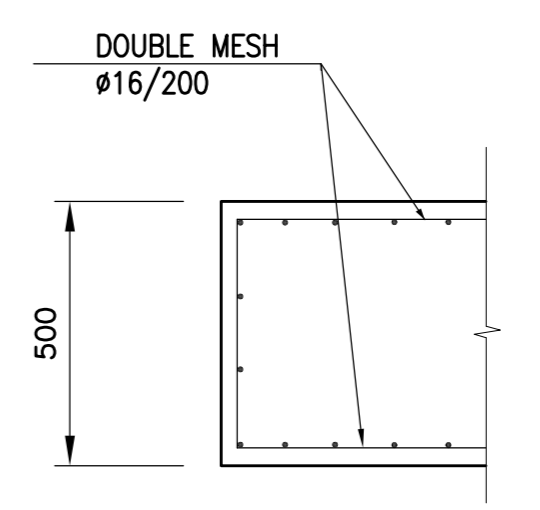
DETAIL 4

- TYPICAL - NOT IN SCALE



DETAIL 5

- TYPICAL - NOT IN SCALE



DETAIL 6

- TYPICAL - NOT IN SCALE

NOTE:

- ALL ELEVATIONS ARE REFERRED TO PLANT LEVEL ±0.00 CORRESPONDING TO m. 148 L.A.T.
- ALL DIMENSIONS AND ALL ELEVATIONS ARE EXPRESSED IN mm.
- THIS DRAWING IS STANDARD AND DIMENSIONS ARE INDICATIVE
- FINAL TYPE AND SIZING OF FOUNDATIONS MUST BE CONFIRMED WITH THE ISSUE OF A "SITE GEOTECHNICAL REPORT" BY EPIC1 CONTRACTOR. USE OF CONCRETE PILES IS NOT EXCLUDED, LEAVING THAT CHOICE TO CONCLUSIONS OF "SITE GEOTECHNICAL REPORT" DURING DETAILED ENGINEERING
- UNDERGROUND TANKS OVERHANGS AND NOZZLES WILL BE CONFIRMED BY THE SUPPLIER
- UNDERGROUND TANKS ARE DOUBLE-WALLED TYPE, WITH NITROGEN PRESSURIZED HOLLOW SPACE
- UNDERGROUND TANKS WILL BE EQUIPPED WITH CATHODIC PROTECTION SYSTEM
- TANKS WILL BE BURIED AT MIN. 500 mm FROM "±0.00" LEVEL. FINAL UNDERGROUND ELEVATION WILL DEPEND ON THE DRAINAGE ELEVATION
- FOR HORIZONTAL AND VERTICAL R.C.C. WORKS ABOVE SOIL LEVEL, THE EDGES SHALL BE BLUNT WITH BEVEL 15x15 mm
- STEEL RODS DIAMETER AND LENGHT SHALL BE CARRIED OUT BY EPIC1 CONTRACTOR

REV.	DATA	DESCRIZIONE / DESCRIPTION	DESIGNER	CONTR. CHECK	APPROV. APPROV.	STATO REV.
V00	Luglio 10	Emissione				
SCALE	SOTTILISCE IL	SOTTILISCE IL	AREA INF.	AREA INF.	IDENTIFICAZIONE DOCUMENTO	FIG. / DI
1:50	SUPERFICIE N.	SUPERFICIE N.	AL PLANT AREA	AL PLANT AREA	DOCUMENTO IDENTIFICAZIONE	1 / 1

Gas Plus SAN BENEDETTO STOCCAGGIO

IMPIANTO STOCCAGGIO GAS TYPICO PER SERBATOI INTERRATI, SEZIONI E DETTAGLI

101SBP-00-CSS-LY-05008 1 / 1