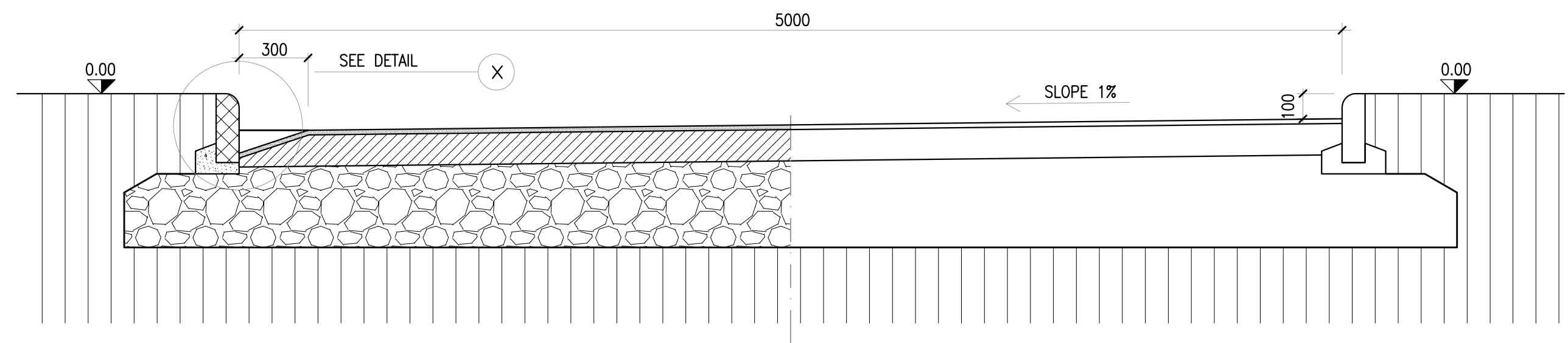
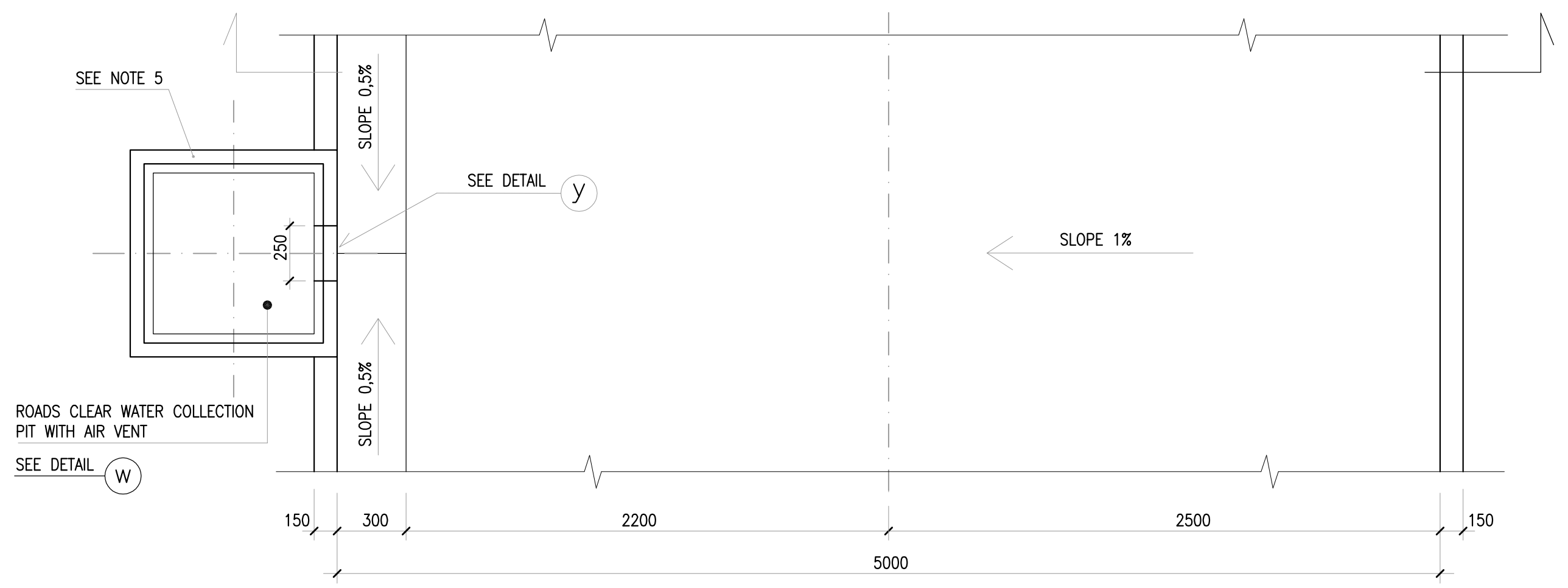


TYPE - 1 -

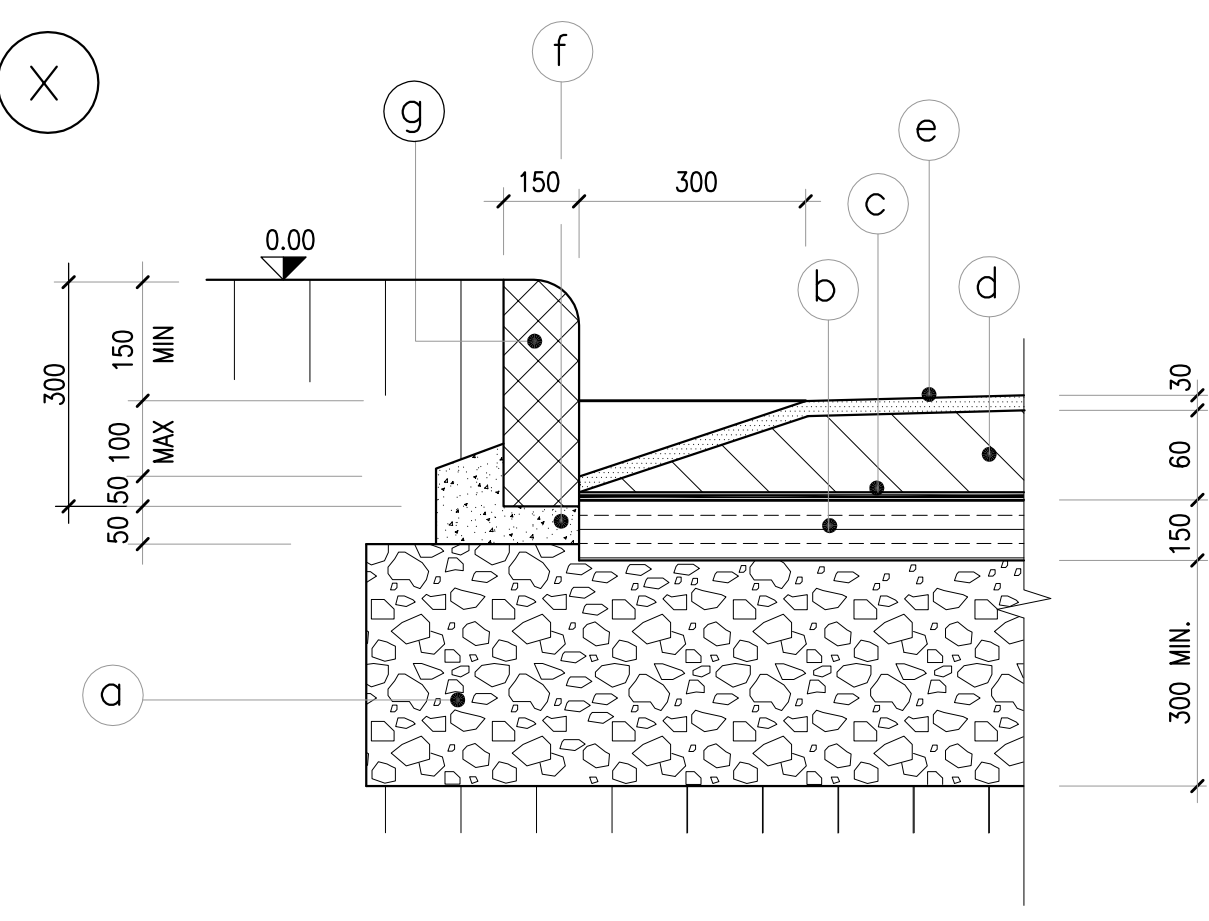
ROAD SECTION TYPE



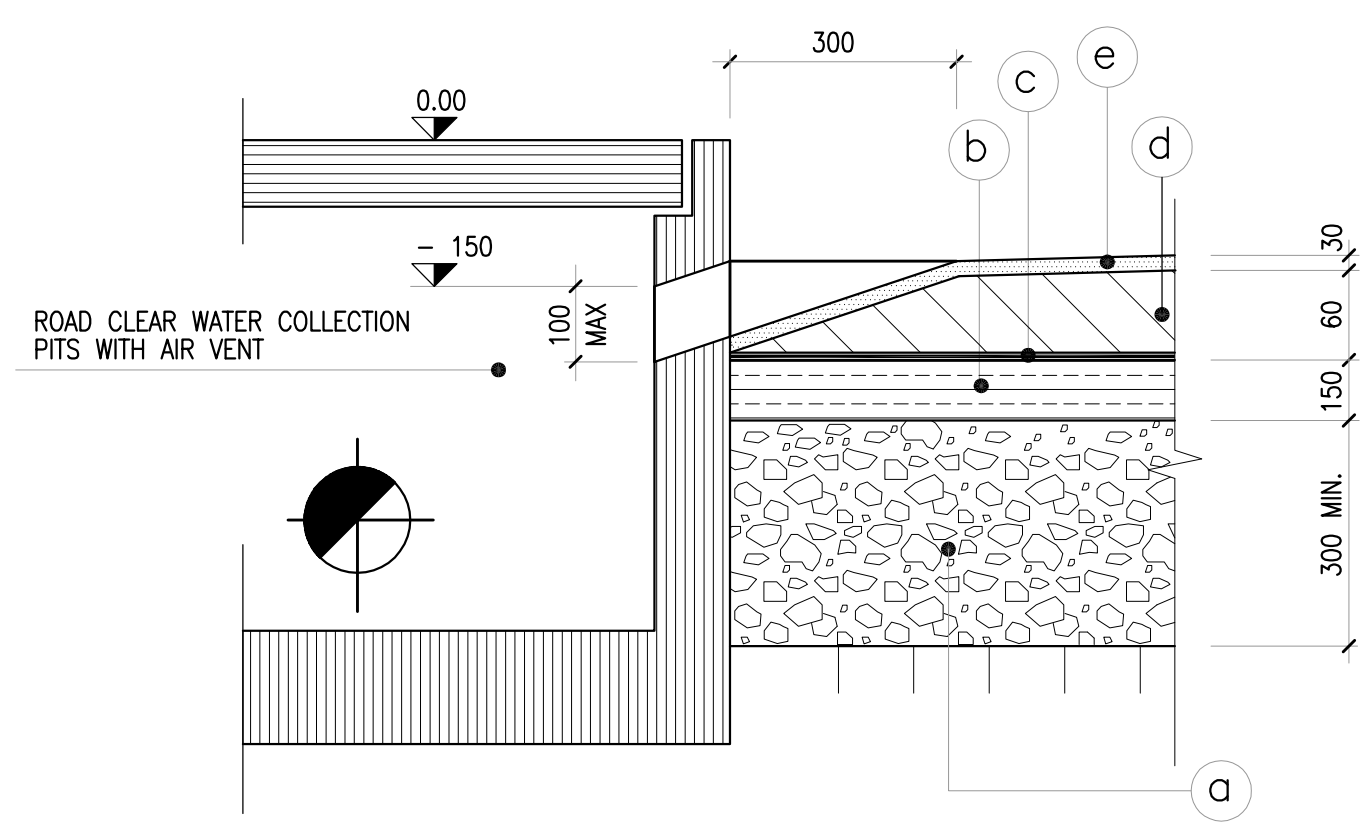
PLAN



DETAIL X



DETAIL y



Reference Documents Document Number

NOTES

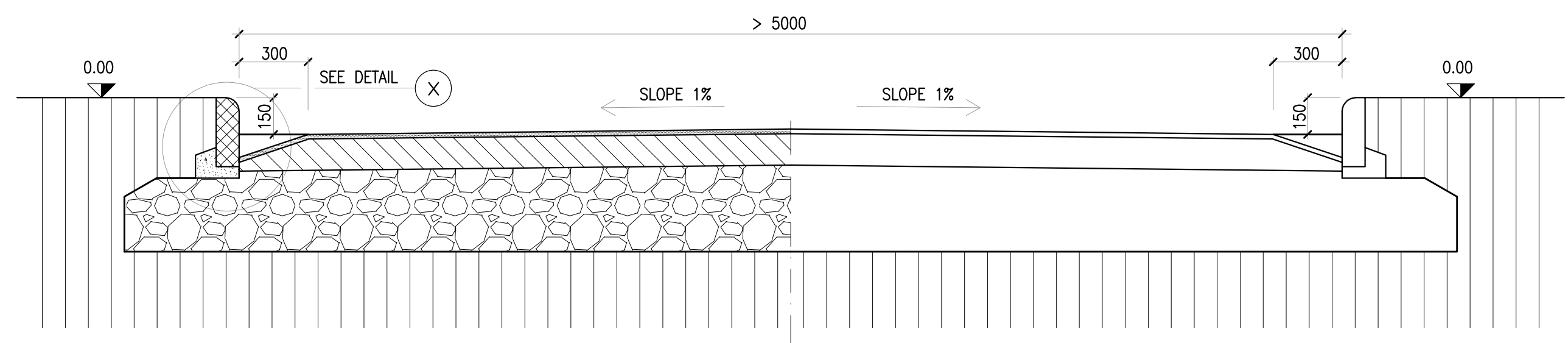
- 1 - ALL ELEVATIONS ARE REFERRED TO PLANT LEVEL ± 0.00 CORRESPONDING TO m 148 L.A.T.
- 2 - ALL DIMENSION AND ALL ELEVATIONS ARE EXPRESSED IN mm.
- 3 - THIS DRAWING IS STANDARD AND THE DIMENSIONS ARE INDICATIVE
- 4 - ALL SIZES ARE OUT OF SCALE
- 5 - ROAD CLEAR WATER COLLECTION PITS WITH AIR VENT WILL BE LOCATED ONE EVERY m 30 (MAX.)
- 6 - PITS H DEPTH IS GIVEN BY OUTLET PIPE BOTTOM LEVEL INCREASED OF cm 20

LEGEND

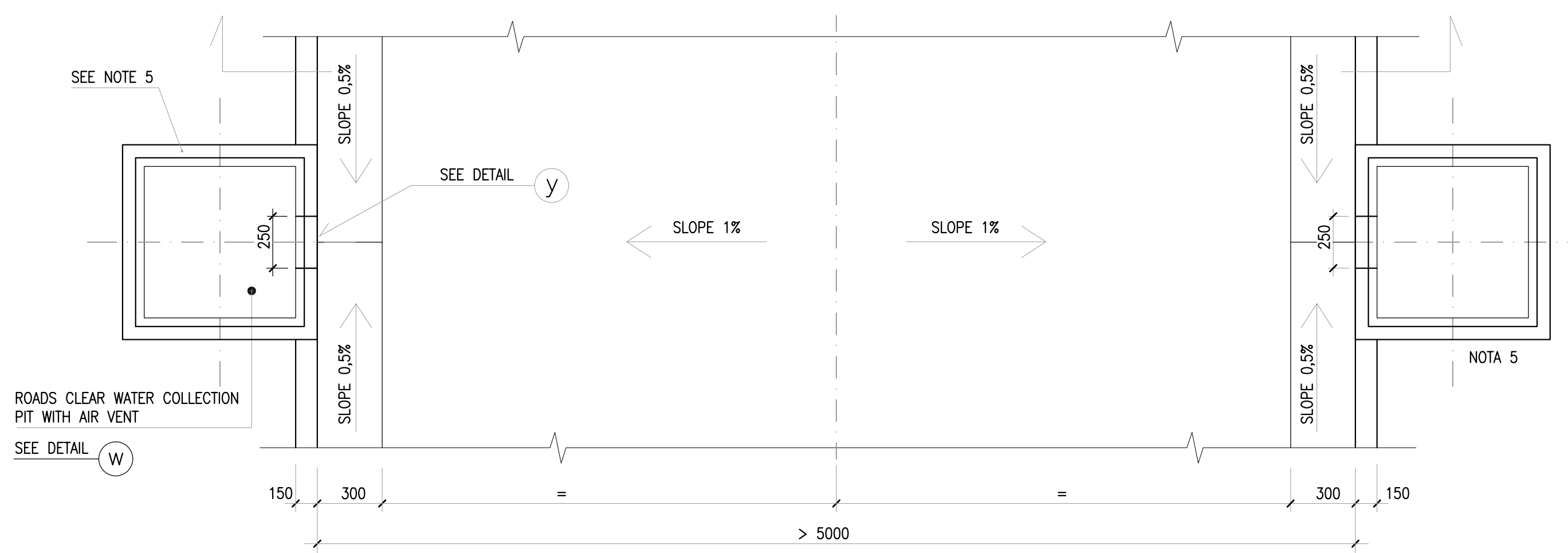
- (a) ROAD SUB-BASE USING SELECTED SOIL AGGREGATE MATERIAL
- (b) ROAD BASE COURSE IN BITUMINOUS MIXTURE
- (c) APPLICATION OF CUTBACK ASPHALT AND AGGREGATES ON BINDER BASE SURFACE
- (d) BINDER COURSE IN BITUMINOUS MIXTURE FOR AN AVERAGE FINISHED THICKNESS NOT LESS THAN 6 cm
- (e) WEARING COURSE IN BITUMINOUS MIXTURE
- (f) CONCRETE FOR NOT REINFORCED CASTINGS
- (g) CONCRETE CURBS

TYPE - 2 -

ROAD SECTION TYPE

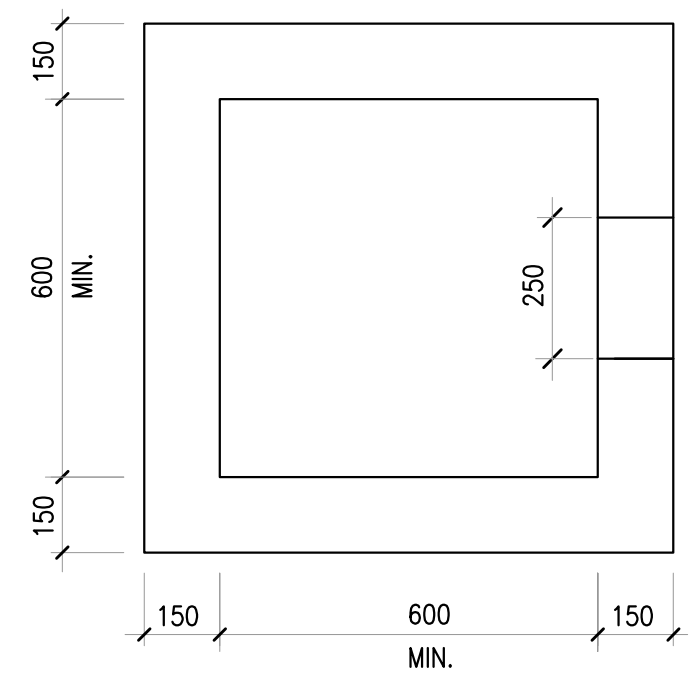


PLAN

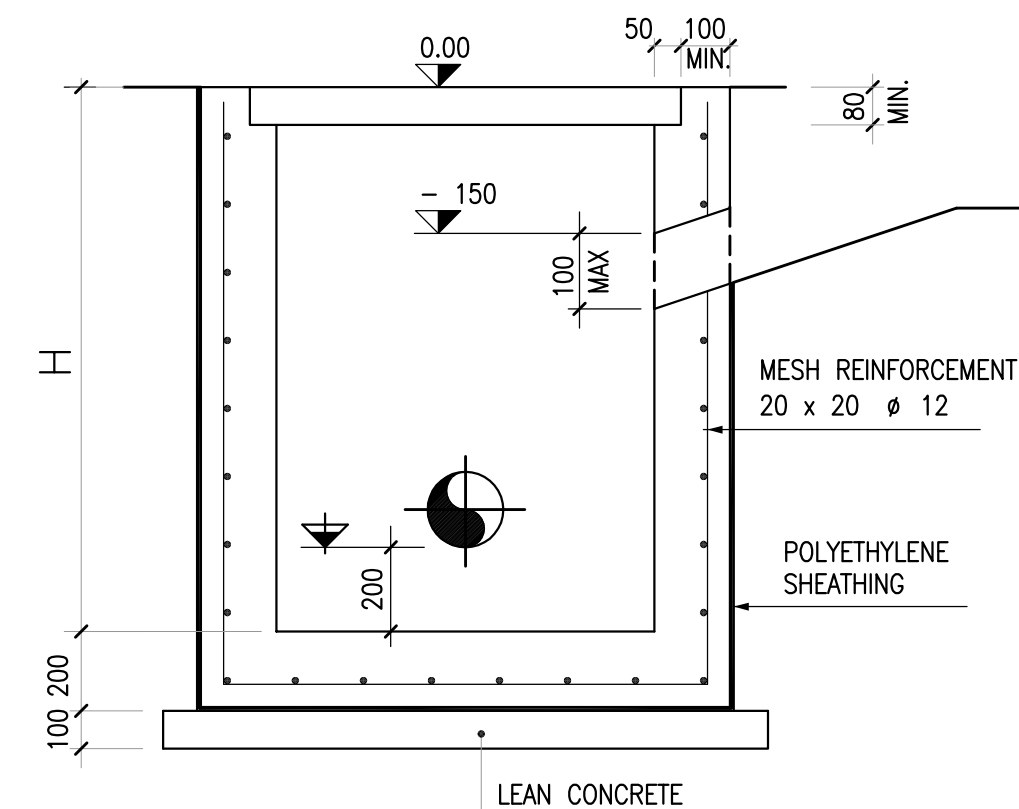


DETAIL W

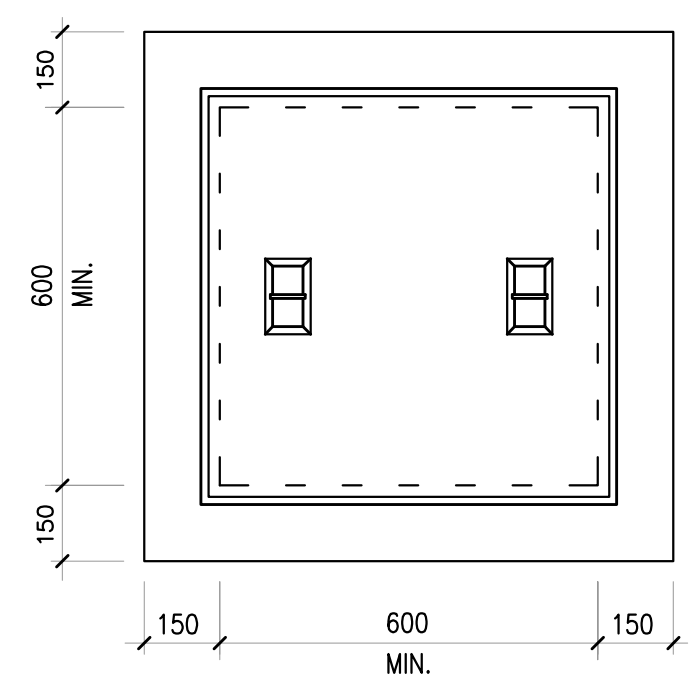
PLAN



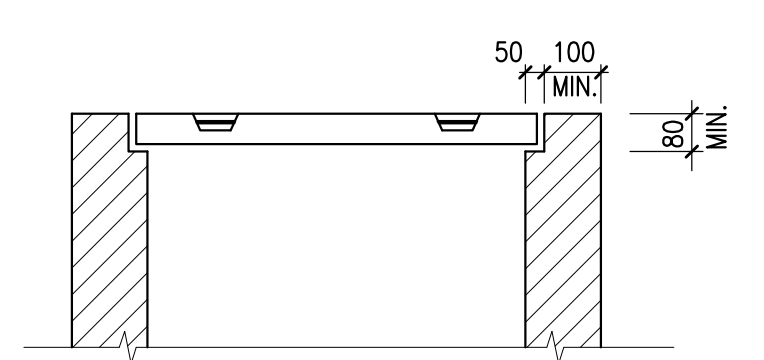
SECTION



COVERING PLAN



SECTION



VOO	Luglio 10	Emissione				
REV.	DATA	DESCRIZIONE / DESCRIPTION	DESIGN. DRAFT	CONTR. CHECK	APPROV. APPROV.	STATO REV. STATUS
			SAN BENEDETTO STOCCAGGIO			
			IMPIANTO STOCCAGGIO GAS TIPICO PER STRADE			
SCALA	SOSTITUISCE IL SUPERSEDES N.	SOSTITUITO DAL SUPERSEDES BY N.	AREA IMP. PLANT AREA	UNITA' IMP. PLANT UNIT	IDENTIFICATIVO DOCUMENTO DOCUMENT IDENTIFIER	FG / DI SH / OF
					101SBP-00-CSS-LY-05009	1 / 1