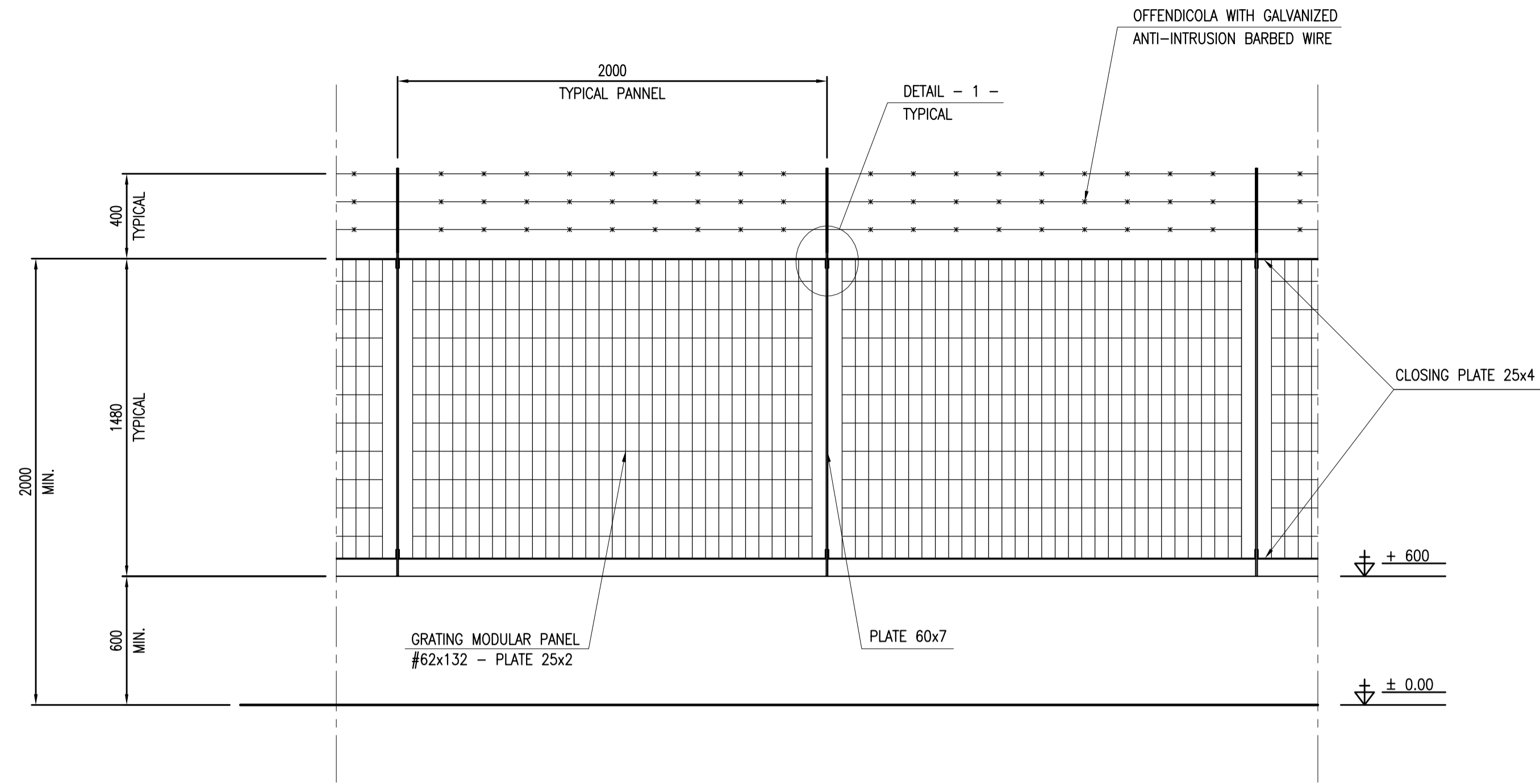
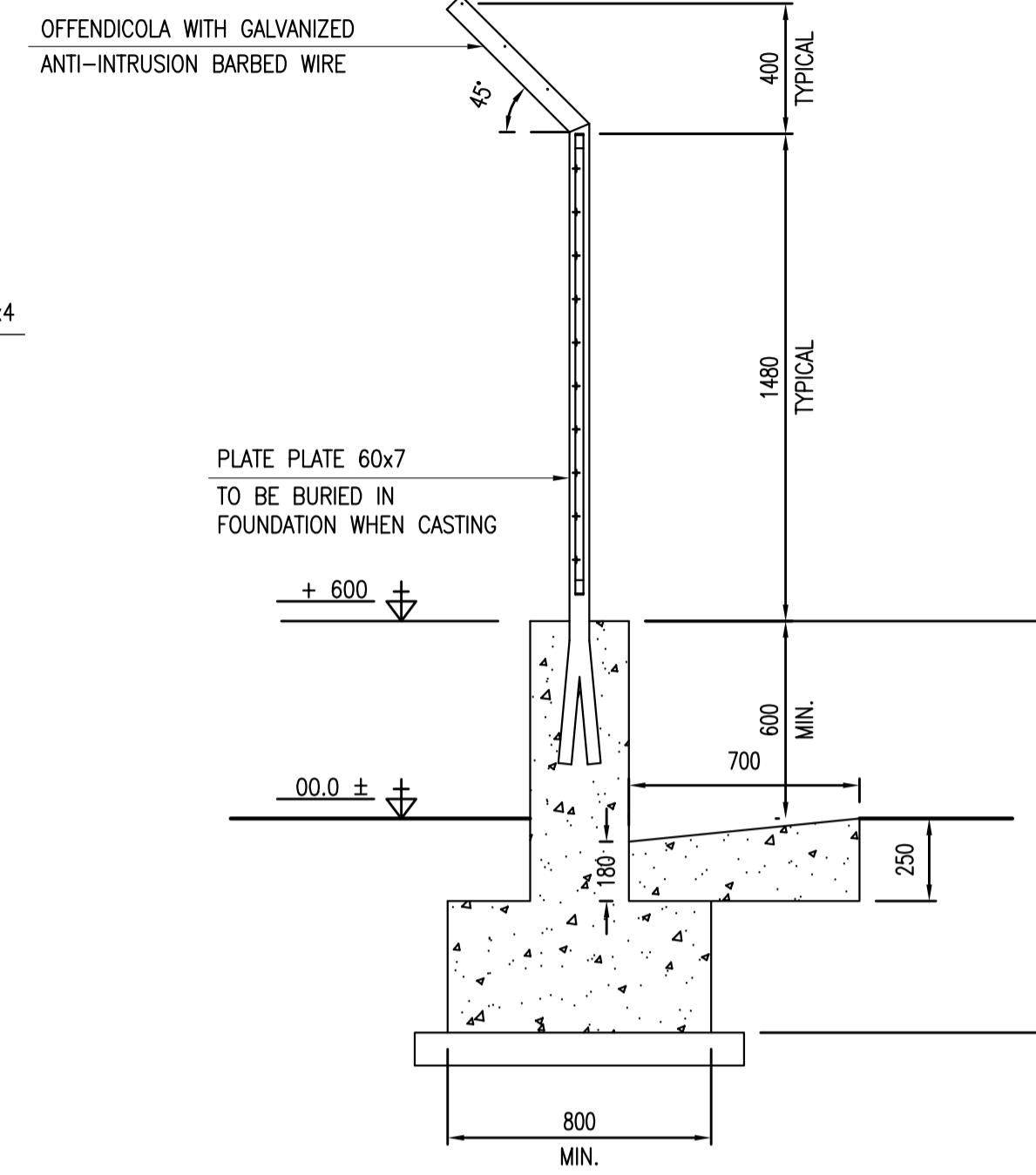


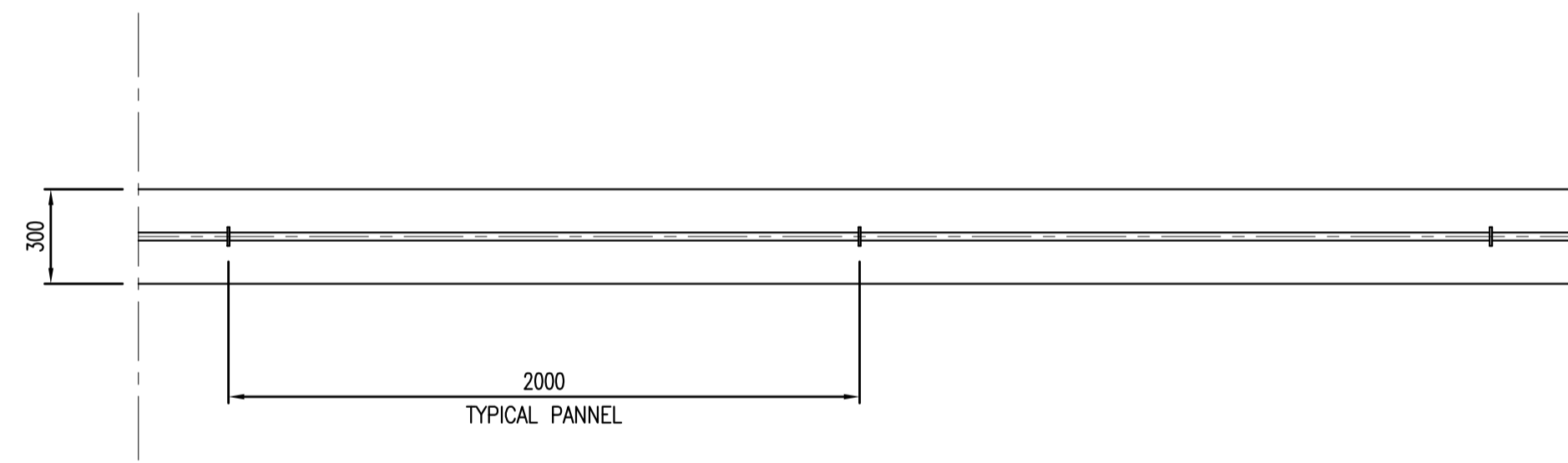
EXTERNAL VIEW



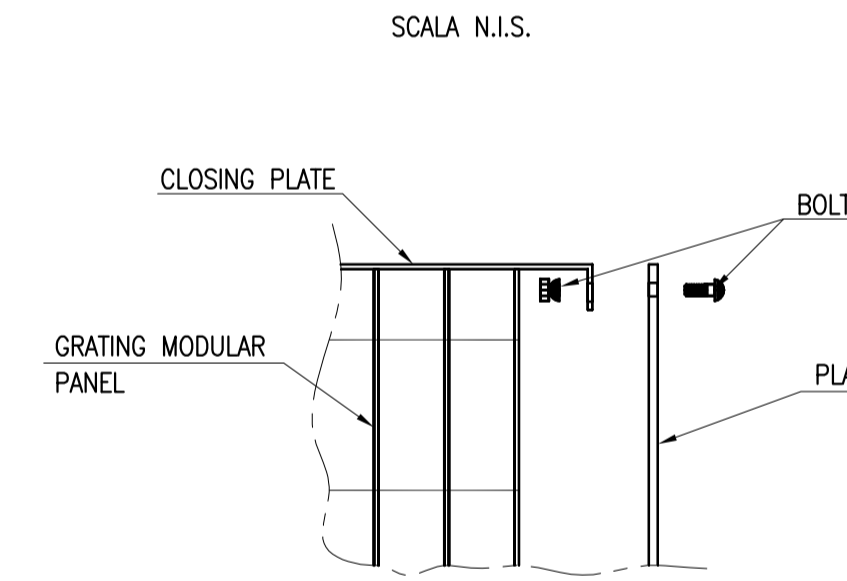
TYPICAL SECTION



PLANT

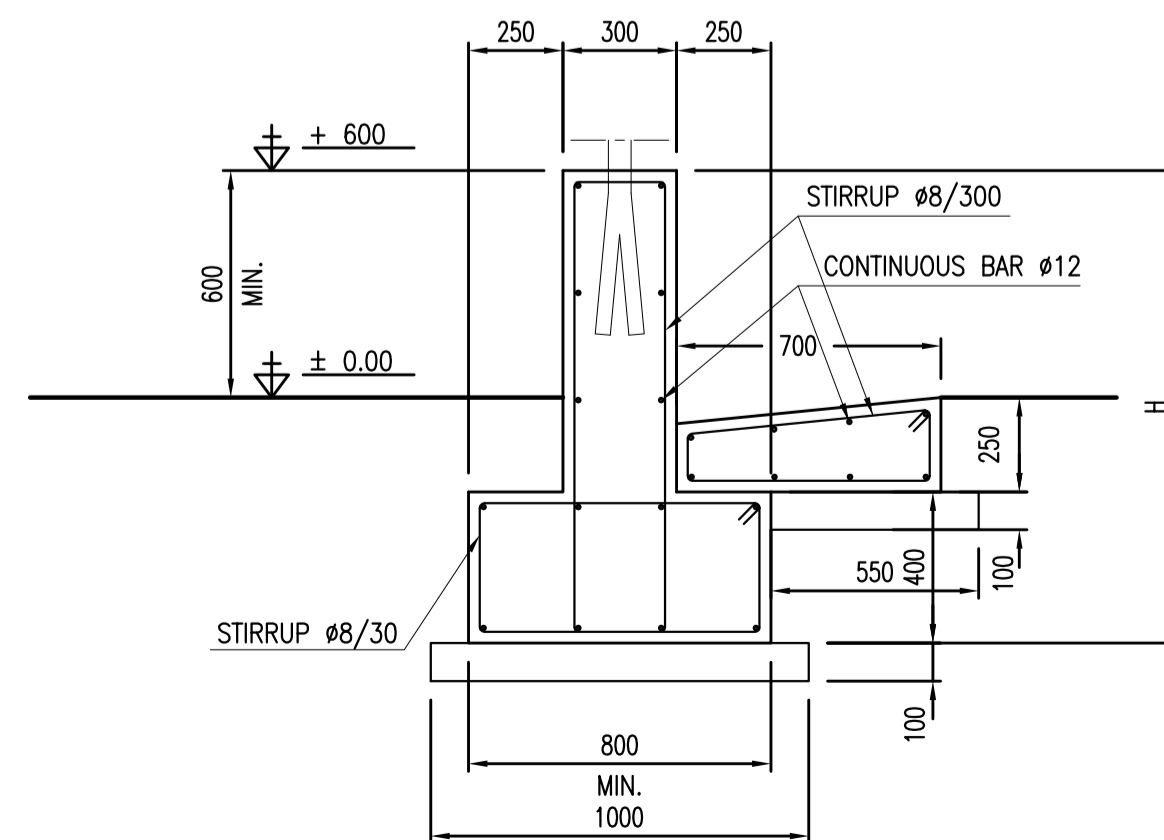


DETAIL - 1 -



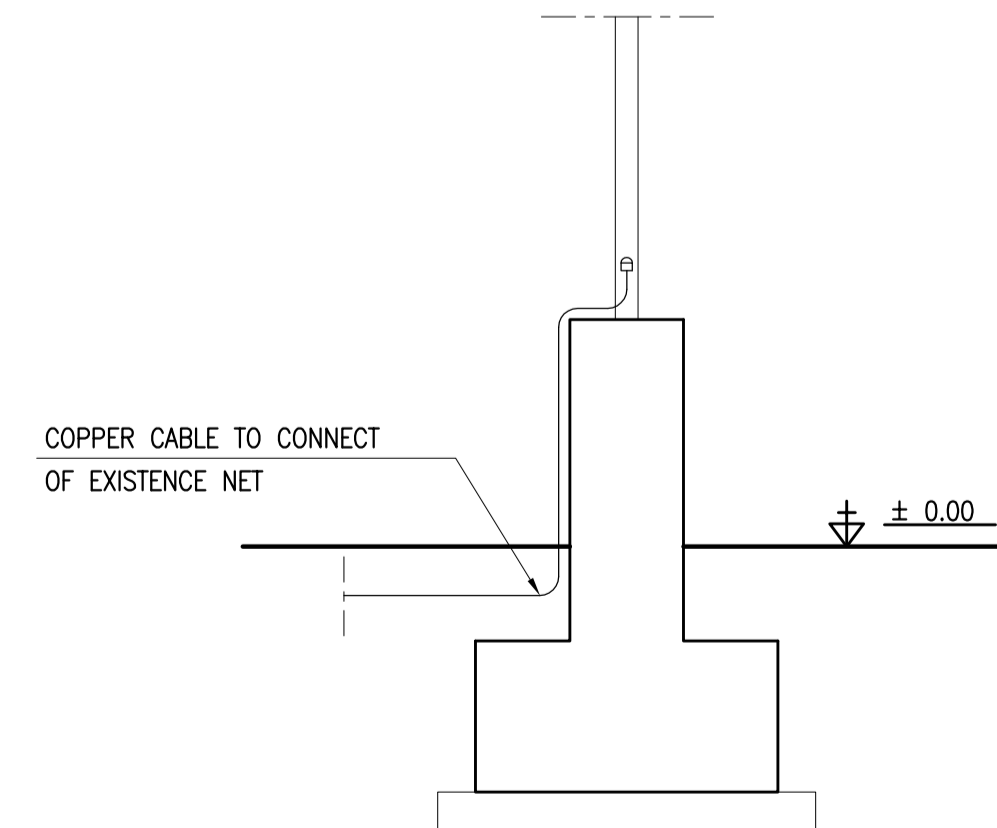
FOUNDATION DETAIL

- TYPICAL -




EARTH SYSTEM DETAIL

- TYPICAL -



NOTE:

- ALL ELEVATIONS ARE REFERRED TO PLANT LEVEL ±0.00 CORRESPONDING TO m. 148 L.A.T.
- ALL DIMENSIONS AND ALL ELEVATIONS ARE EXPRESSED IN mm.
- THIS DRAWING IS STANDARD AND THE DIMENSIONS ARE INDICATIVE.
- GRILLED PANEL TYPE SHALL BE IN ACCORDANCE TO THE SUPPLY STANDARDS.
- GRILLED PANEL TYPE AND ACCESSORIES SHALL BE IN ACCORDANCE TO THE SUPPLY STANDARDS.
- STEEL RODS DIAMETER AND LAYOUT ARE SCHEMATIC. THE STEEL RODS DIMENSION SHALL BE CARRIED OUT BY CONTRACTOR. STEEL RODS LENGTH SHALL BE CHECKED BY CONTRACTOR.
- THE HEIGHT ("H") OF THE FOUNDATION WILL BE DEPENDING ON THE GROUND LEVEL.

VOO	Luglio 10	Emissione				
REV.	DATA	DESCRIZIONE / DESCRIPTION	DESIGN.	CONTR.	APPROV.	STATO REV.
			DRAFT	CHECK	APPROV.	REV. STATUS
			SAN BENEDETTO STOCCAGGIO			
IMPIANTO STOCCAGGIO GAS TIPICO PER RECINZIONI						
SCALA	SOSTITUISCE IL	SOSTITUITO DAL	AREA IMP.	UNITA' IMP.	IDENTIFICATIVO DOCUMENTO	FG / DI
1:20	SUPERSEDES N.	SUPERSEDED BY N.	PLANT AREA	PLANT UNIT	DOCUMENT IDENTIFIER	SH / OF
					101SBP-00-CSS-LY-05010	1 / 1