

Legend

- To be removed
- To be modified

CO analyser

MBA01 GAS TURBINE BLOCK ST - 3000

Additional TK1 measuring

Temp measuring MBH50 (HTCZ730063)

Exhaust bearing ventilation MBH50 (HTCZ730063)

Additional Shut Off Valve

Air preheater

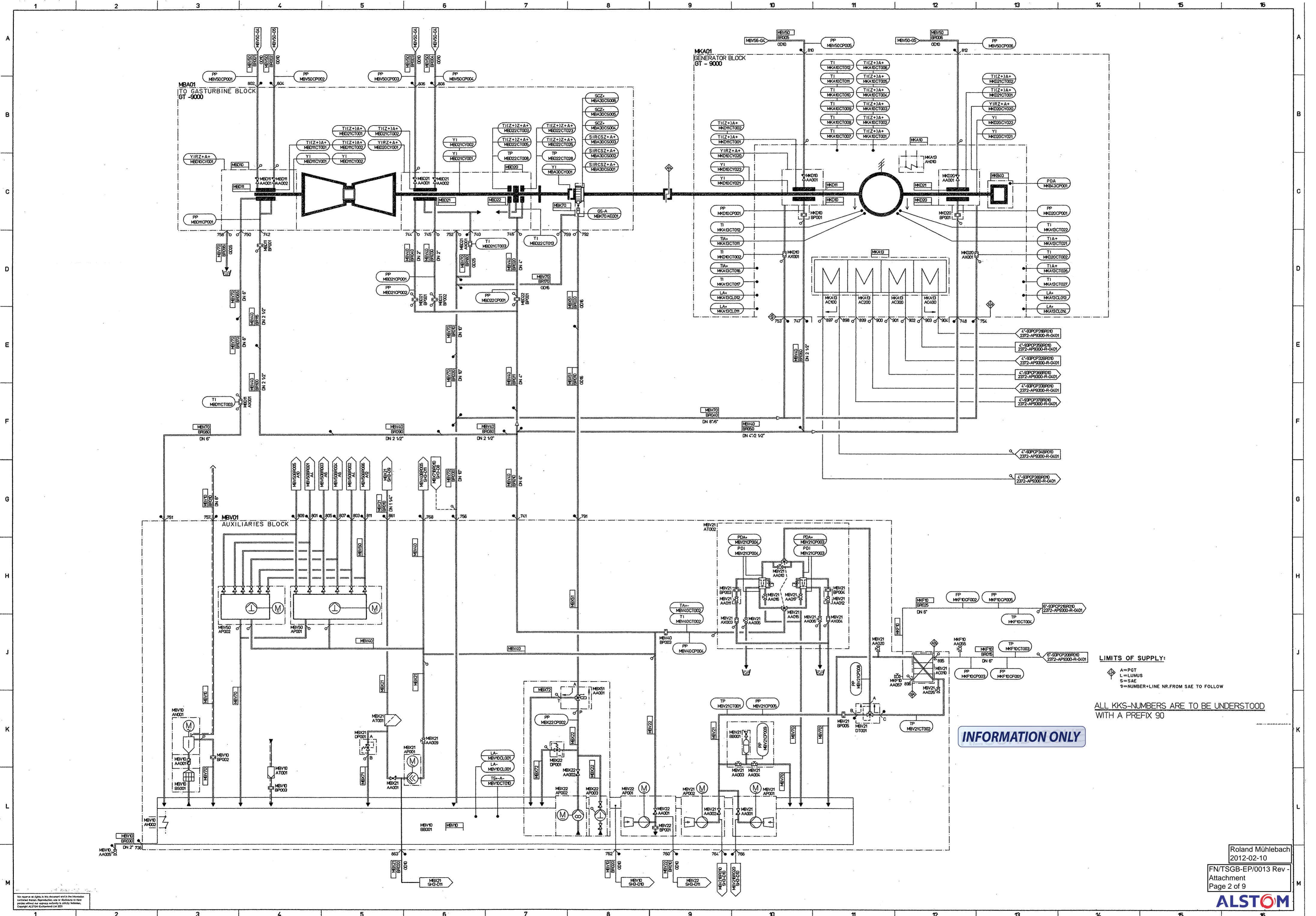
INFORMATION ONLY

ALL KKS-NUMBERS ARE TO BE UNDERSTOOD WITH A PREFIX 90

LIMITS OF SUPPLY:
 A=PGT
 L=LUMUS
 S=SAE
 N=NUMBER+LINE NR.FROM SAE TO FOLLOW
 Z=GASANALYSER INCLUDING CONNECTION LINES IS NOT SHOWN

Roland Mühlebach
 2012-02-10
 FN/TSGB-EP/0013 Rev
 Attachment
 Page 1 of 9
ALSTOM

Printed on 01-05-12 09:52:06. All rights reserved. No part of this document may be reproduced, stored in a retrieval system, or transmitted, in any form or by any means, without the prior written permission of Alstom.

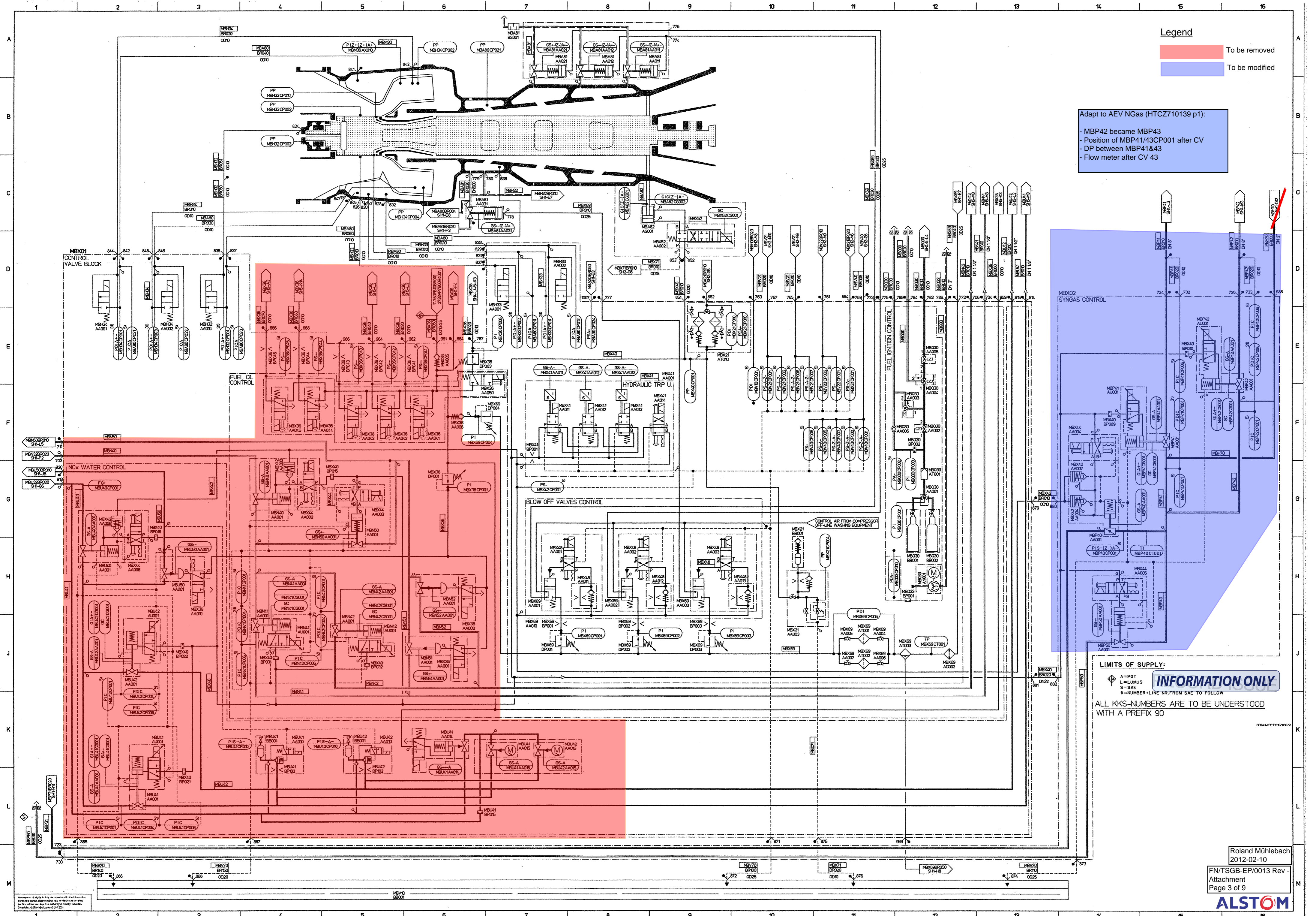


LIMITS OF SUPPLY:
 A=PGT
 L=LUMUS
 S=SAE
 #=NUMBER+LINE NR.FROM SAE TO FOLLOW

ALL KKS-NUMBERS ARE TO BE UNDERSTOOD WITH A PREFIX 90

INFORMATION ONLY

No warranty is made by Alstom for the information contained herein. Reproduction, use or disclosure in any form without the express written consent of Alstom is prohibited. Copyright © 2012 Alstom (Schweiz) Ltd. 2012



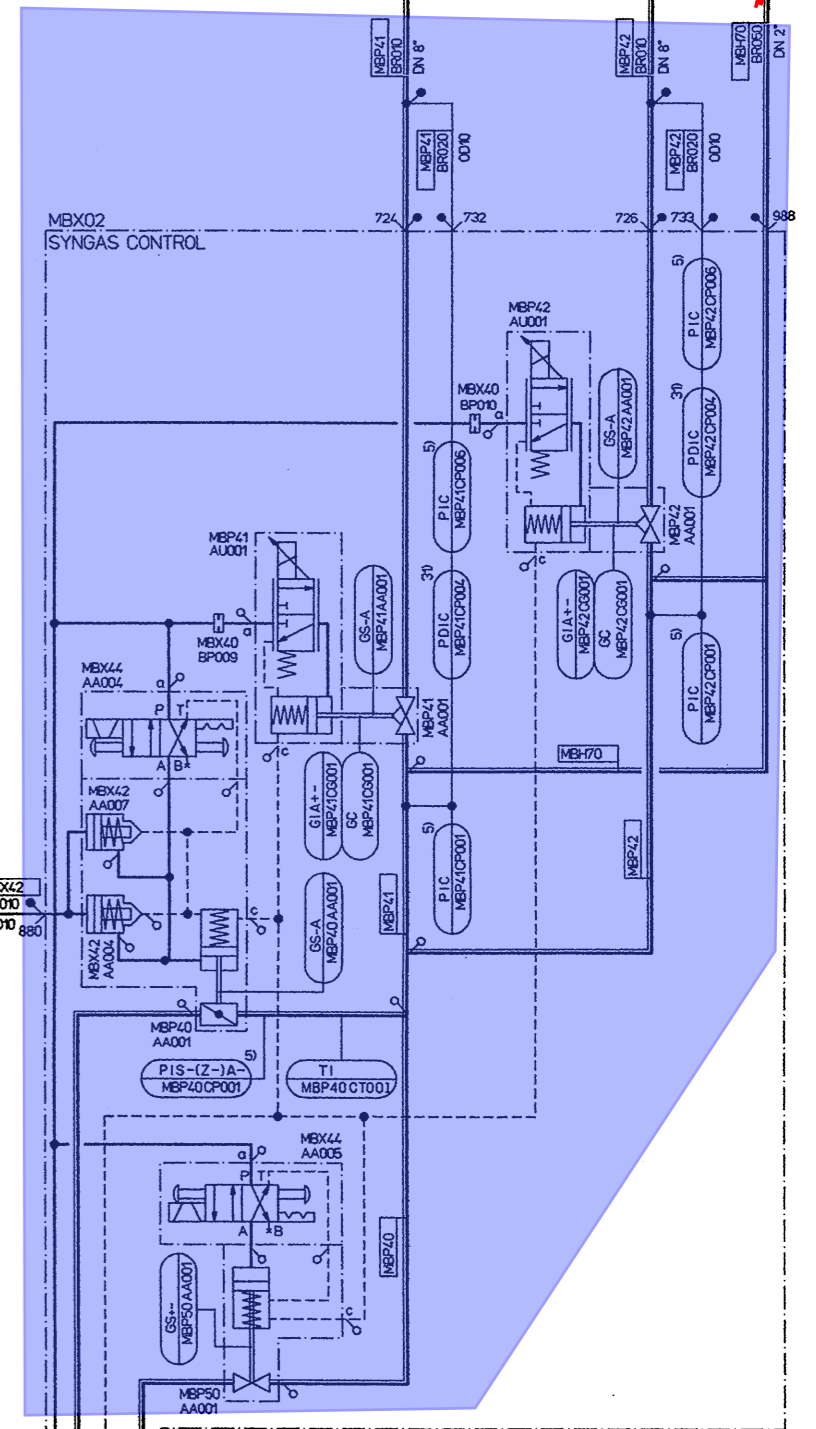
Legend

To be removed

To be modified

Adapt to AEV NGas (HTCZ710139 p1):

- MBP42 became MBP43
- Position of MBP41/43CP001 after CV
- DP between MBP41&43
- Flow meter after CV 43



LIMITS OF SUPPLY:

A=PGT
L=LUMUS
S=SAE
#=NUMBER+LINE NR.FROM SAE TO FOLLOW

INFORMATION ONLY

ALL KKS-NUMBERS ARE TO BE UNDERSTOOD WITH A PREFIX 90



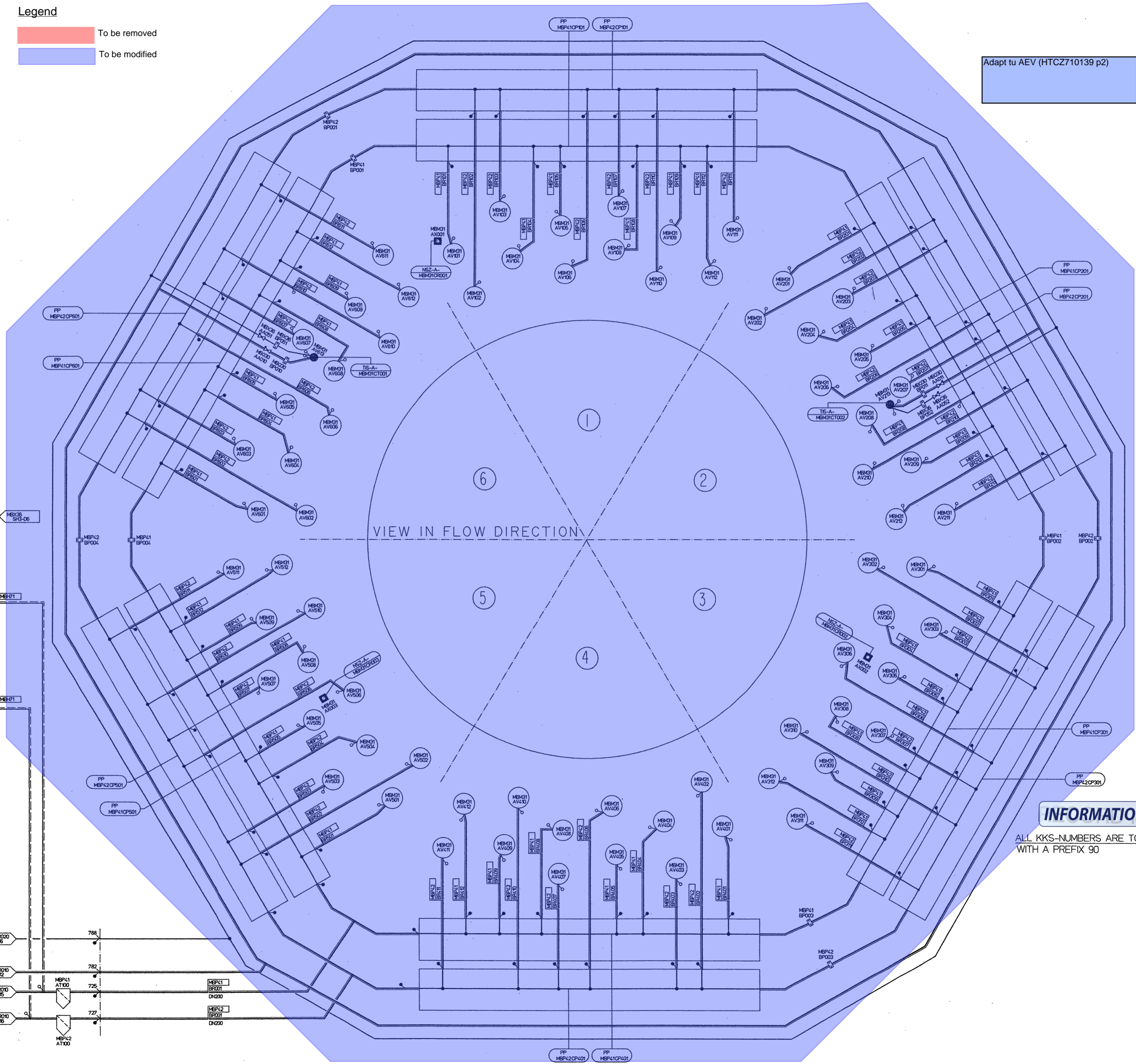
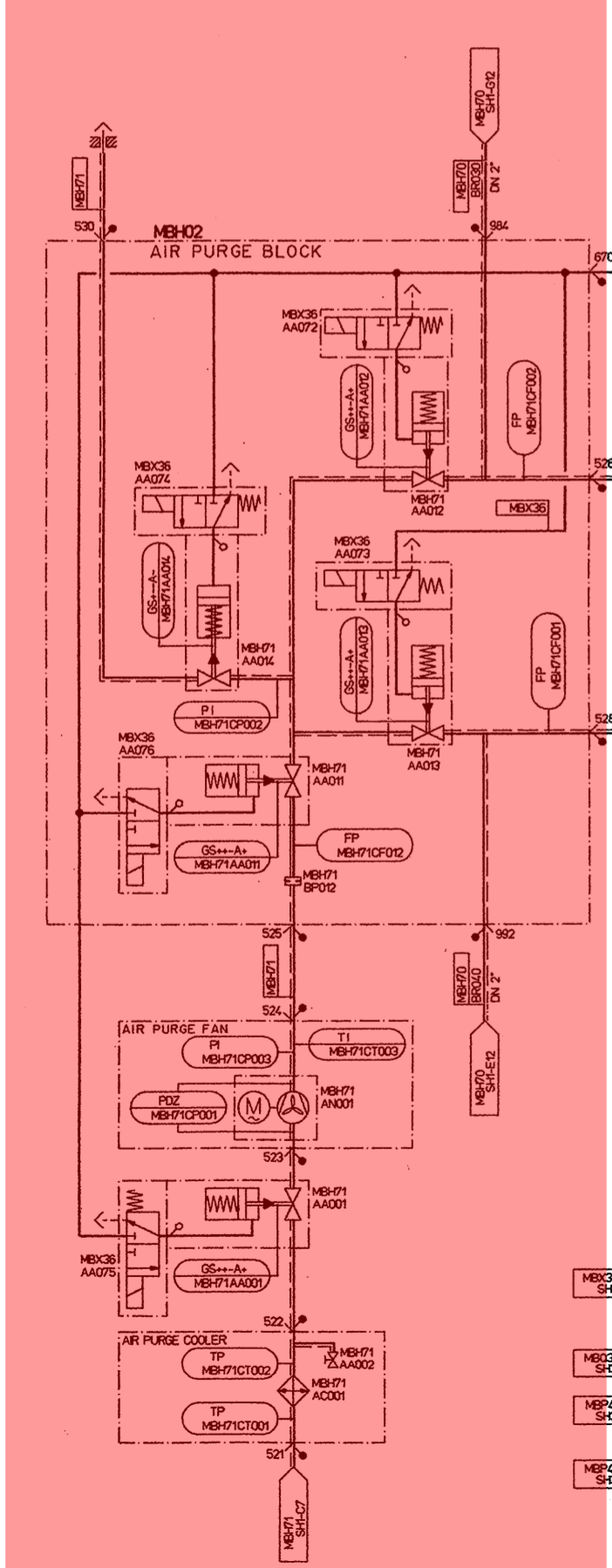
NUMBERING CODE	
AAA AA	EXPLANATION
MBM 31	BURNER
MBP 41	FUEL GAS (1/2)
MBP 42	FUEL GAS (1/2)
BB EXPLANATION	
AV	COMBUSTION EQUIPMENT
BR	PIPE
C EXPLANATION	
0	PIPE
1	SECTOR 1
...	...
6	SECTOR 6
DD EXPLANATION	
01	BURNER (OR BURNER PIPE TO BURNER 1)
...	...
12	BURNER (OR BURNER PIPE TO BURNER 12)
20	SECTOR PIPE
EXAMPLE	
MBM 31	BURNER
AV 4 12	BURNER 12
SECTOR NO. 4	SECTOR NO. 4
COMBUSTION EQUIPMENT	COMBUSTION EQUIPMENT

Legend

To be removed

To be modified

Adapt tu AEV (HTCZ710139 p2)



INFORMATION ONLY

ALL KKS-NUMBERS ARE TO BE UNDERSTOOD WITH A PREFIX 90

6TMH1CT02624

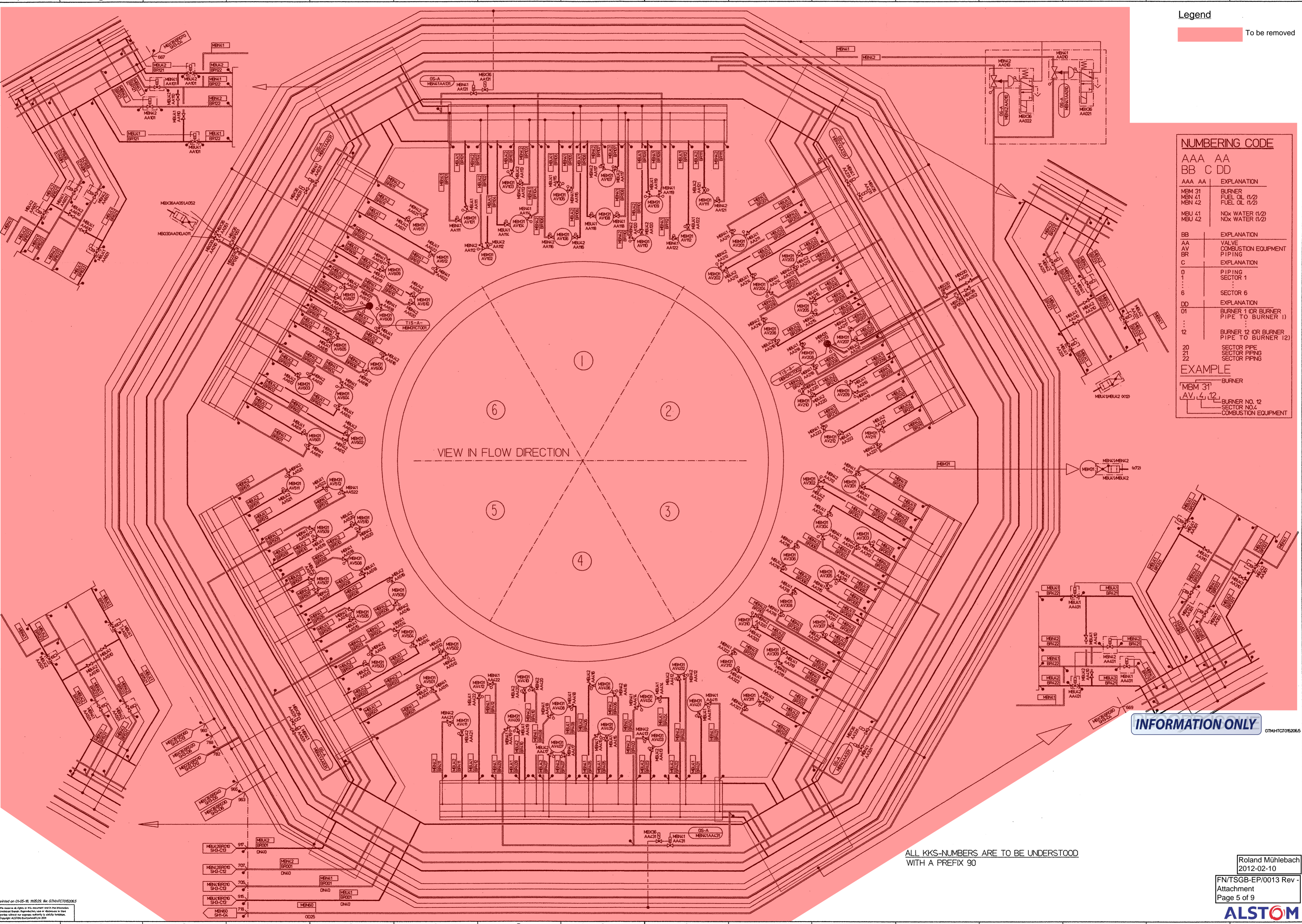
Legend

To be removed

NUMBERING CODE

AAA AA	EXPLANATION
MEM 31	BURNER
MEN 41	FUEL OIL (1/2)
MEN 42	FUEL OIL (1/2)
MEU 41	NOx WATER (1/2)
MEU 42	NOx WATER (1/2)
BB	EXPLANATION
AA	VALVE
AV	COMBUSTION EQUIPMENT
BR	PIPING
C	EXPLANATION
0	PIPING SECTOR 1
...	...
6	SECTOR 6
DD	EXPLANATION
01	BURNER 1 OR BURNER PIPE TO BURNER 1)
...	...
12	BURNER 12 OR BURNER PIPE TO BURNER 12)
20	SECTOR PIPE
21	SECTOR PIPING
22	SECTOR PIPING
EXAMPLE	
MEM 31	BURNER
AV 4 12	BURNER NO. 12
C 0 4	SECTOR NO. 4
BB 20	COMBUSTION EQUIPMENT

VIEW IN FLOW DIRECTION

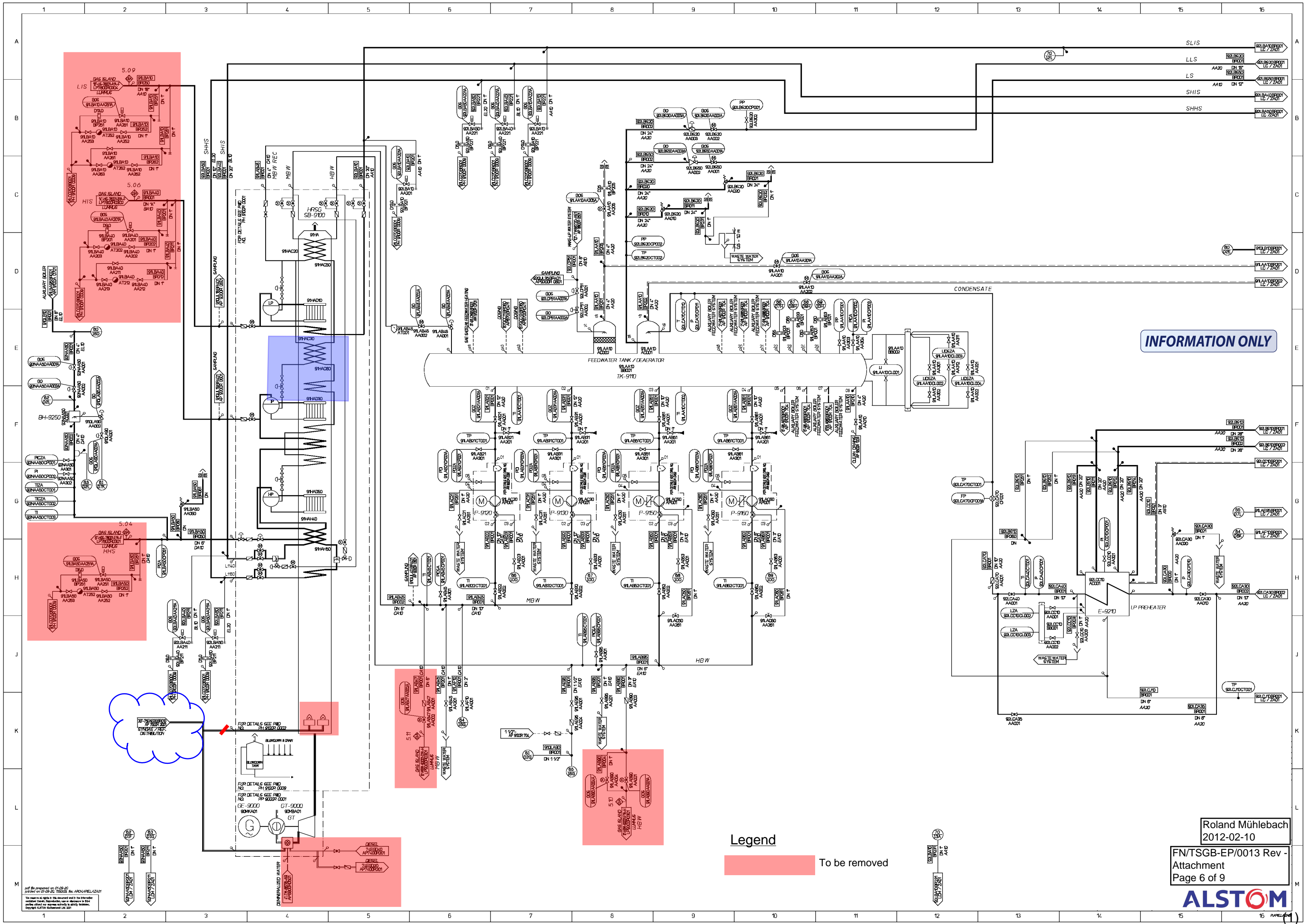


INFORMATION ONLY

ALL KKS-NUMBERS ARE TO BE UNDERSTOOD WITH A PREFIX 90



© 2012 Alstom Ltd. All rights reserved. This document is the property of Alstom Ltd. It is not to be reproduced, stored in a retrieval system, or transmitted in any form or by any means, electronic, mechanical, photocopying, recording, or by any information storage and retrieval system, without the prior written permission of Alstom Ltd.

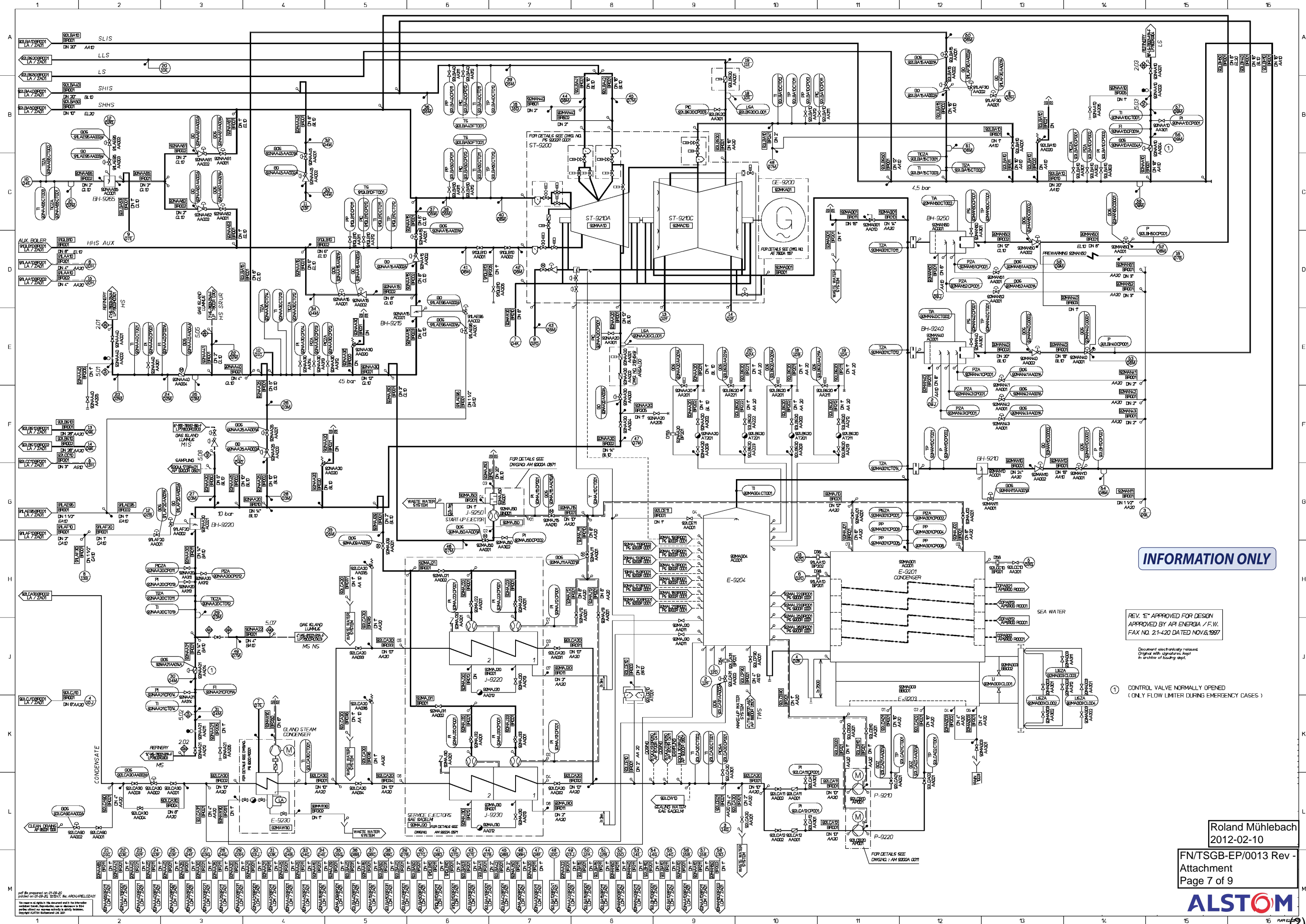


INFORMATION ONLY

Legend
To be removed



not to be printed on 01-09-2012
 01-09-2012 10:55:52 Rev. ARCHIMELAZANI
 No warranty is given by the manufacturer for the information
 contained herein. Reproduction, use or disclosure in any
 form without the express written consent of Alstom
 Energy is prohibited. © Alstom 2012



INFORMATION ONLY

REV. "E" APPROVED FOR DESIGN
 APPROVED BY AIR ENERGIA / F.W.
 FAX NO. 21-420 DATED NOV.6, 1997

Document electronically released.
 Original with signature kept
 in archive of issuing dept.

1 CONTROL VALVE NORMALLY OPENED
 (ONLY FLOW LIMITER DURING EMERGENCY CASES)

Roland Mühlebach
 2012-02-10

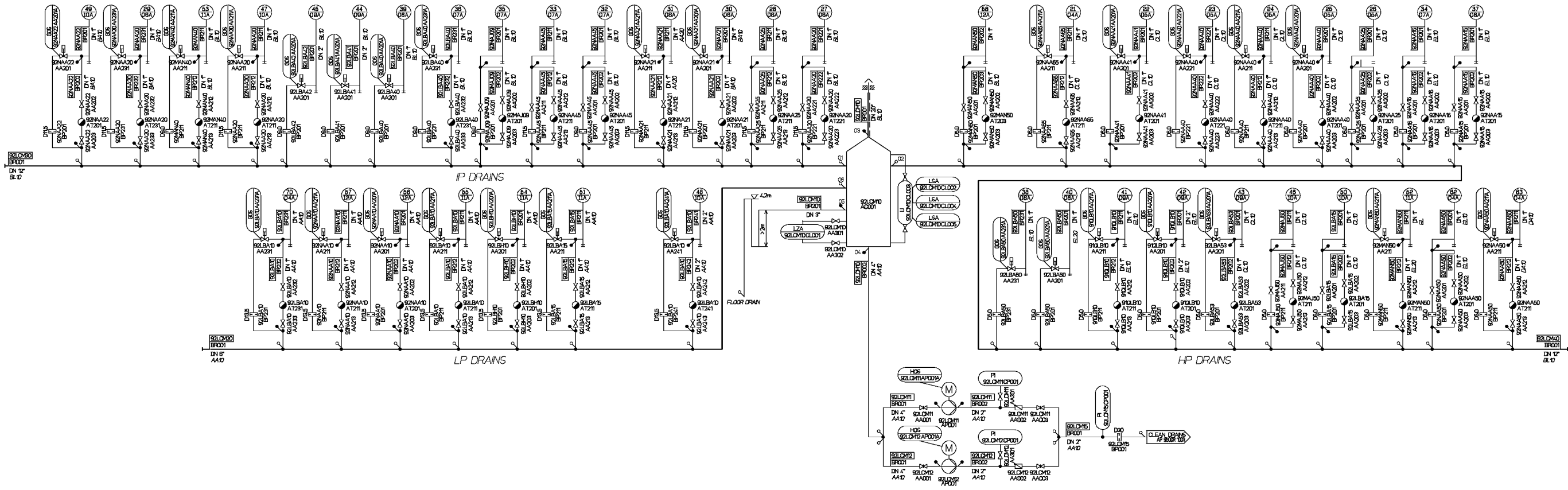
FN/TSGB-EP/0013 Rev -
 Attachment
 Page 7 of 9



not to be reproduced or distributed without the written permission of Alstom. This document is the property of Alstom. All rights reserved. No part of this document may be reproduced or transmitted in any form or by any means electronic or mechanical, including photocopying and recording, or by any information storage or retrieval system, without the prior written permission of Alstom.

62 63 64 65 66 67 68 69 70 71 72 73 74 75 76 77 78 79 80 81 82 83 84 85 86 87 88 89 90 91 92 93 94 95 96 97 98 99 100
 101 102 103 104 105 106 107 108 109 110 111 112 113 114 115 116 117 118 119 120 121 122 123 124 125 126 127 128 129 130 131 132 133 134 135 136 137 138 139 140 141 142 143 144 145 146 147 148 149 150 151 152 153 154 155 156 157 158 159 160 161 162 163 164 165 166 167 168 169 170 171 172 173 174 175 176 177 178 179 180 181 182 183 184 185 186 187 188 189 190 191 192 193 194 195 196 197 198 199 200

INFORMATION ONLY



Roland Mühlebach
 2012-02-10
 FN/TSGB-EP/0013 Rev -
 Attachment
 Page 8 of 9



pdf file prepared on 01-09-20
 01/09/2012 10:52:52, 10/02/2012, Rev. 1/00-LA/EP/0013/01