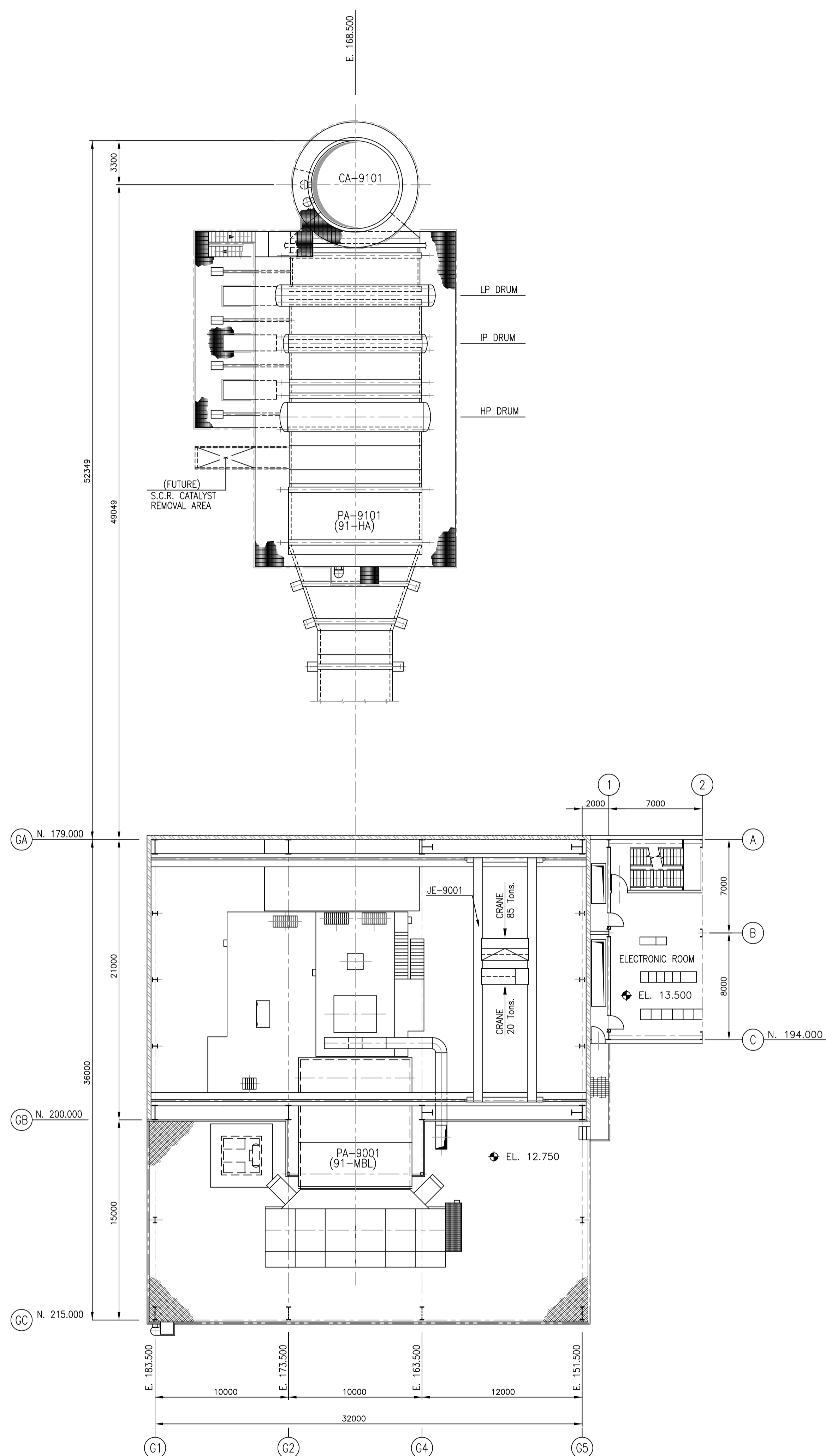
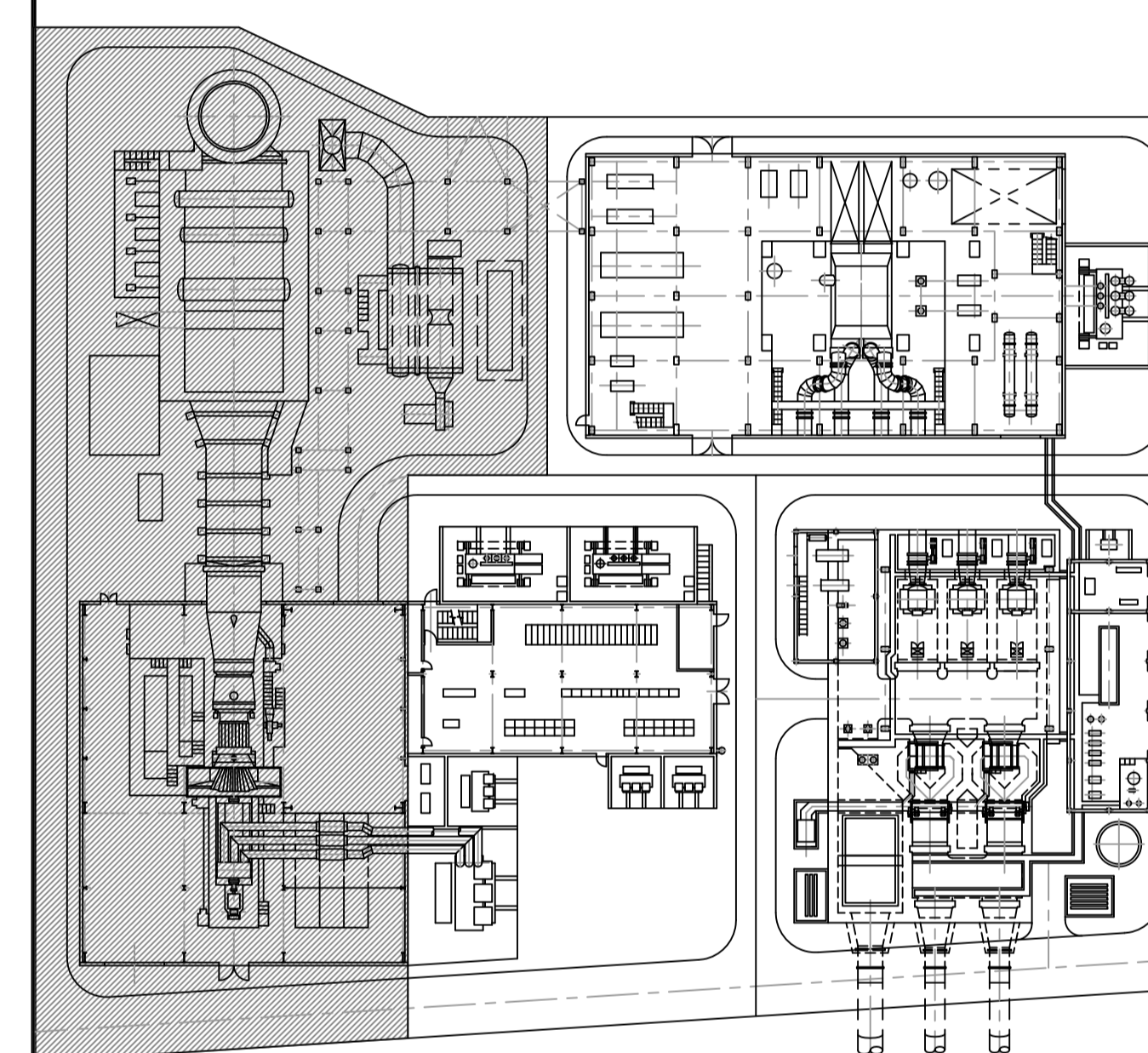


PIANTA DA 3.350 A 12.000
 Plan from 3.350 to 12.000



PIANTA DA 12.000 A ABOVE
 Plan from 12.000 to ABOVE



REV. A ISSUED FOR APPROVAL DATE 27-06-96 DO NOT USE FOR CONSTRUCTION	REV. "B" APPROVED FOR CONSTRUCTION APPROVED BY FAX No. DATED
REV. "C" APPROVED FOR CONSTRUCTION APPROVED BY F.W.L. FAX No.21.363 DATED 01/10/97	REV. "D" APPROVED FOR CONSTRUCTION APPROVED BY F.W.L. FAX No.21.363 DATED 01/10/97
REV. "E" APPROVED FOR CONSTRUCTION APPROVED BY F.W.L. FAX No.21.363 DATED 01/10/97	REV. "F" APPROVED FOR CONSTRUCTION APPROVED BY F.W.L. FAX No.21.363 DATED 01/10/97

REV.	DATE	DESCRIPTION	DRAWN	CHECKED	APPROVED
H	30/08/99	AS BUILT	CATENA	PIROZZI	BARBIERI
G	24/12/98	REVISED WHERE INDICATED	BELLOTTI	BARBIERI	TROUBETZKY
F	26/06/98	REVISED WHERE INDICATED	BELLOTTI	BARBIERI	TROUBETZKY
E	06/04/98	REVISED WHERE INDICATED	BELLOTTI	BARBIERI	TROUBETZKY
D	26/01/98	REVISED WHERE INDICATED	BELLOTTI	BARBIERI	TROUBETZKY
C	21/10/97	GENERAL REVISION	PIROZZI	BARBIERI	TROUBETZKY
B	21/07/97	ISSUED FOR AFC GENERAL REVISION	PIROZZI	BARBIERI	TROUBETZKY
A	27/06/96	ISSUED FOR APPROVAL	AUDITORE	BARBIERI	LUSURIELLO

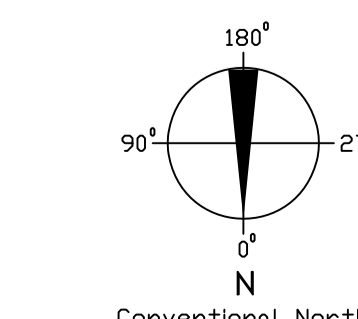
API REFINERY FALCONARA - ITALY
 INTEGRATED GASIFICATION AND COMBINED CYCLE PROJECT

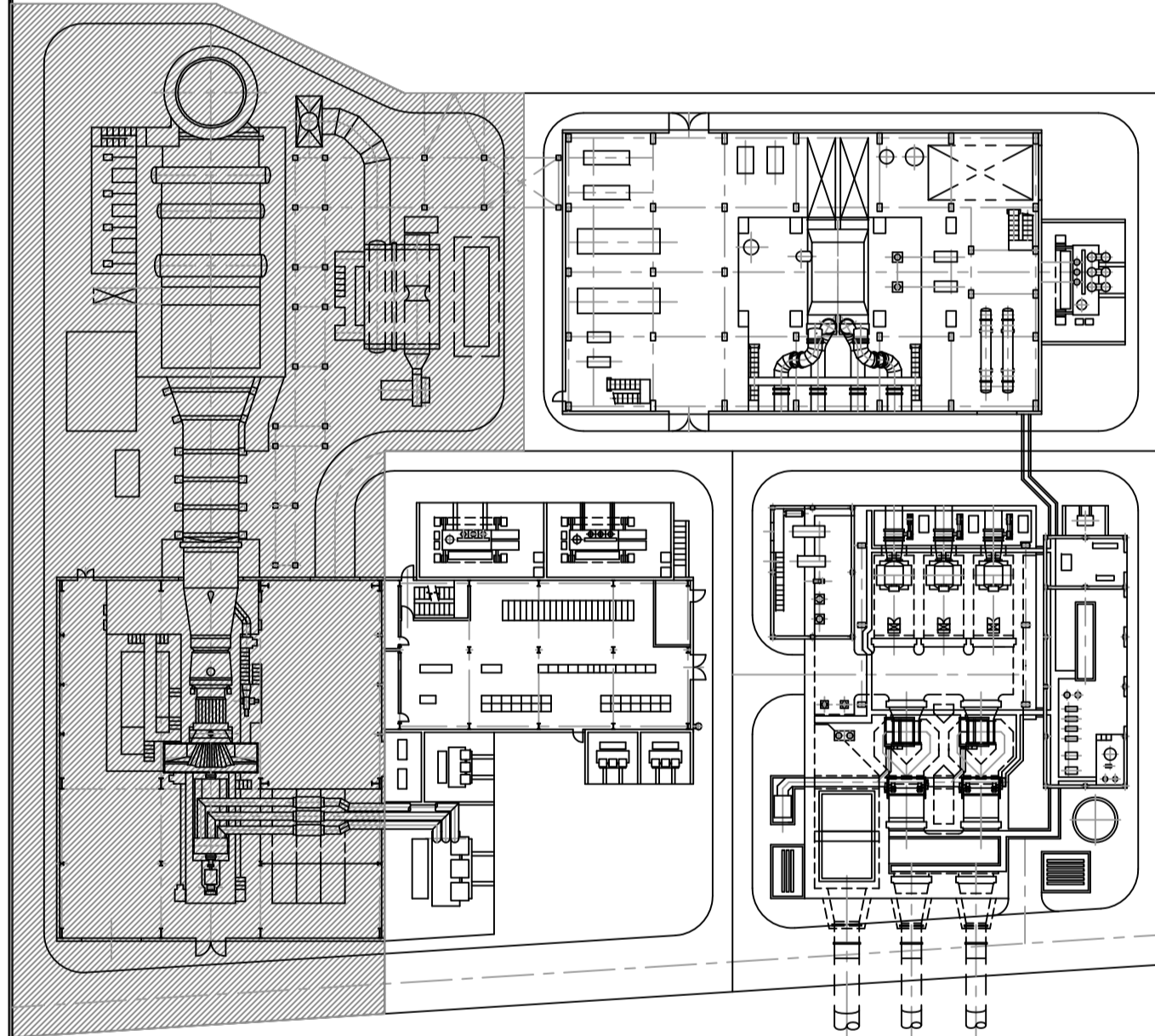
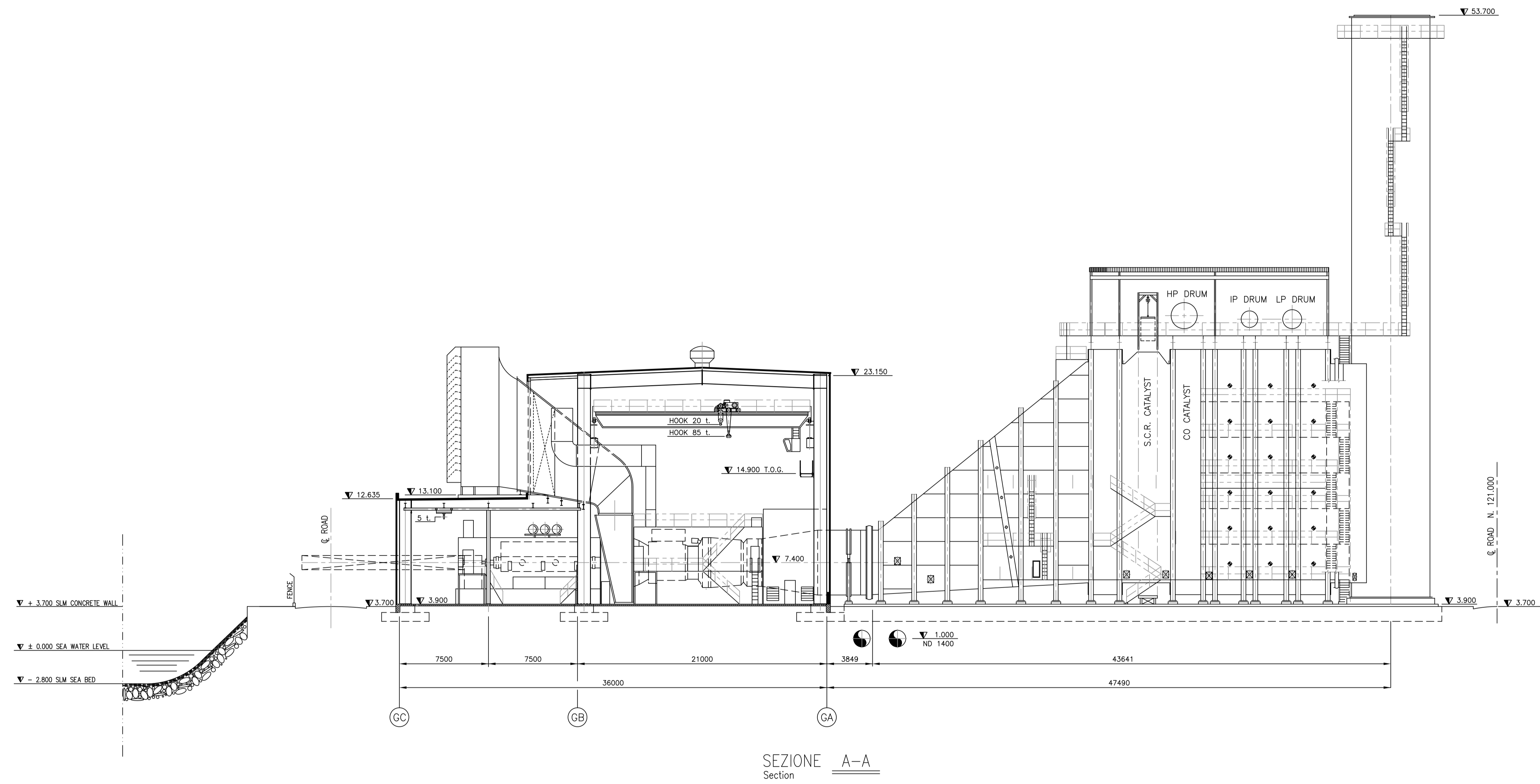
ABB SAE SADELM MILAN ITALY
 ABB LUMMUS CREST WIESBADEN GERMANY
 ABB POWER GENERATION BADEN SWITZERLAND

DESIGN	PIROZZI
CHECKED	BARBIERI
APPROVED	LUSURIELLO
DATE	02/05/96

GAS TURBINE HALL
 AND BOILERS AREA
 PLAN FROM EL. 3.250 TO ABOVE

SCALE	1=200
FORM	NO. 1
SIZE	A0
JOB NUMBER	2372
ORIG.	AH
SUBJECT	9000
SOC. TYPE	00
DOCUMENT NUMBER	R0004
REV.	1
SHEET	1
OF	1





REV. A ISSUED FOR APPROVAL
DATE 27-06-96
DO NOT USE FOR CONSTRUCTION

REV. "B" APPROVED FOR CONSTRUCTION
APPROVED BY: _____
FAX No. _____ DATED _____

REV. "C" APPROVED FOR CONSTRUCTION
APPROVED BY F.W.I.
FAX No.2.1.363 DATED 01/10/97

REV.	DATE	DESCRIPTION	DRAWN	CHECKED	APPROVED
E	04/07/12	CCPP NATURAL GAS COMVERSION PROJECT	ZUCCH	PIAZENTE	LODATO
D	03/08/99	AS BUILT	SANDRI	PIROZZI	NEGR
C	21/07/97	GENERAL REVISION	PIROZZI	BARBERI	TROUBETZKOY
B	21/07/97	ISSUED FOR A.F.C.	PIROZZI	BARBERI	TROUBETZKOY
A	27/06/96	ISSUED FOR APPROVAL	AUDITORE	BARBERI	LUSURIELLO

api **ENERGIA**

API REFINERY FALCONARA - ITALY
INTEGRATED GASIFICATION AND COMBINED CYCLE PROJECT

ABB
ABB SAE SADELM SPA

TEMPORARY ASSOCIATION OF COMPANIES:
ABB SAE SADELM MILAN ITALY
ABB LUMMUS CREST WIESBADEN GERMANY
ABB POWER GENERATION BADEN SWITZERLAND

THE DRAWINGS, SPECIFICATIONS, CALCULATIONS AND ALL OTHER MATERIALS AND INFORMATION CONTAINED IN AND DERIVED WITH THIS DOCUMENT ARE THE PROPERTY OF ABB SAE SADELM SPA AND CONFIDENTIAL BY RECEIPT OF THIS DOCUMENT YOU AGREE NOT TO REPRODUCE IT IN WHOLE OR IN PART NOR REVEAL ITS CONTENTS EXCEPT TO MEMBERS OF YOUR COMPANY WHO HAVE A NEED TO KNOW.

SCALE	1=200
FORM SIZE	A0 21372 A1 91000 R 0005 D
JOB NUMBER	02/05/96
ORIG.	
SUBJECT	
SOC. TYPE	
DOCUMENT NUMBER	
REV.	1
SHEET	1
OF	1

GAS TURBINE HALL
AND BOILERS AREA
SECTION A-A

DATE 02/05/96

FORM SIZE A0 21372 A1 91000 R 0005 D

LDL005-2

N 175476

N 131510

