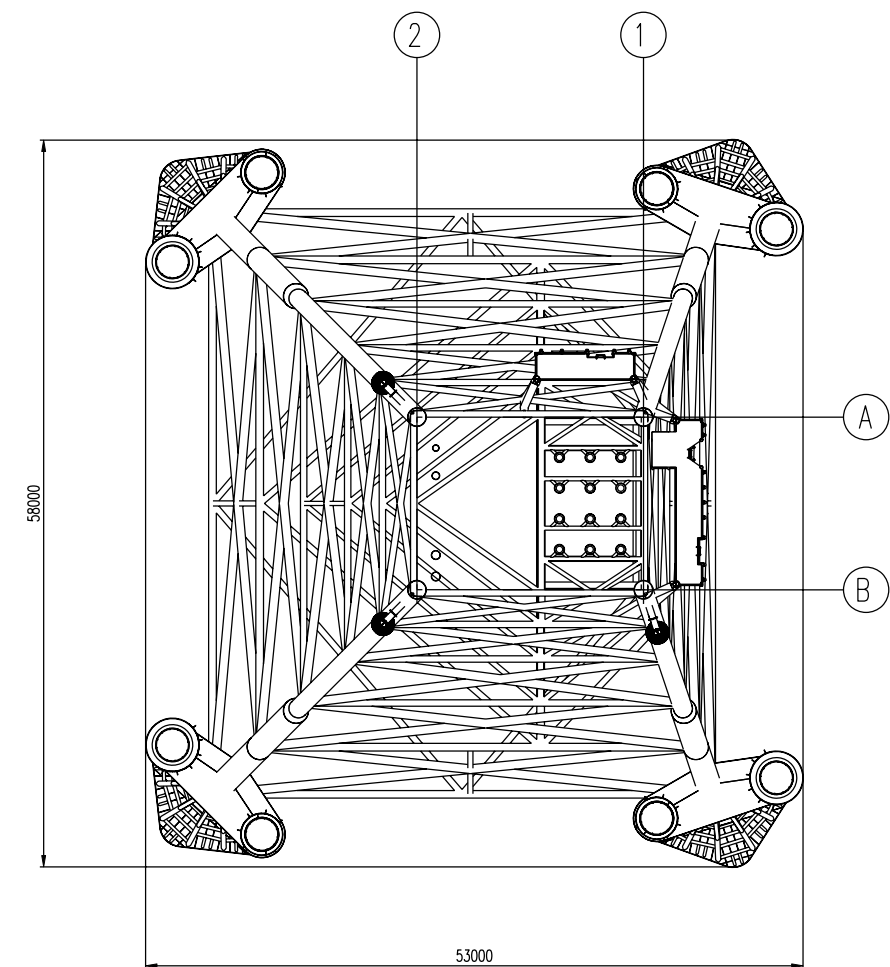


DECK - PLAN VIEW



JACKET - PLAN VIEW

REV.	DATA	DESCRIPTION	DRAWN	CHECKED	APPROVED
B02	22/02/2012	FINAL ISSUE	G.E.	P.C.	G.P.
A01	23/07/2011	ISSUED	G.E.	P.C.	G.P.

TECON		EDISON	
PROJECT	VEGA-B PLATFORM		
TITLE	CONFIGURATION - A - LIFTING JACKET PLANS and ELEVATIONS		
DOC N°	VG-F-STR-DW-002-B	SHEET	REV.
		1 of 1	1:300 B02