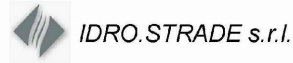


Variante alla SS12 da Buttapietra  
alla tangenziale SUD di Verona

**PROGETTO DEFINITIVO**

COD. VE92

PROGETTAZIONE:	MANDATARIA:	MANDANTI:	No.Do. e Servizi s.r.l.		
RAGGRUPPAMENTO					
PROGETTISTI					

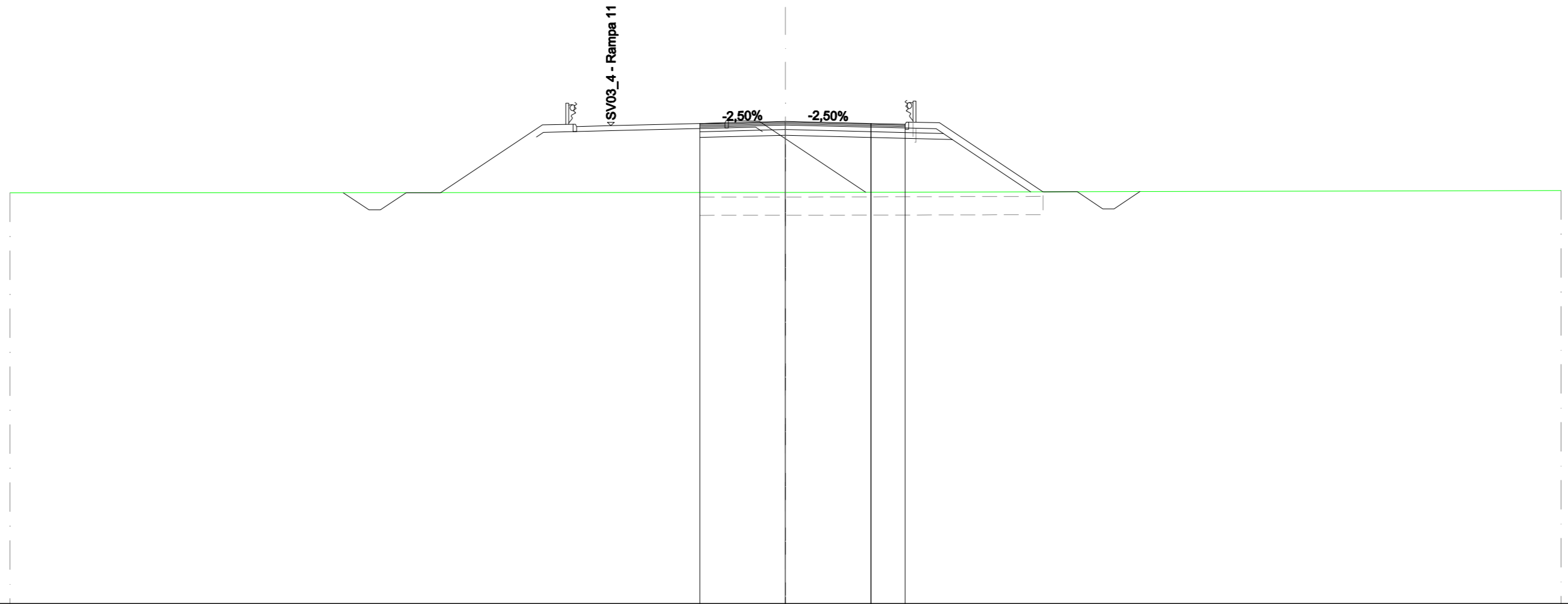
IL RESPONSABILE DELL'INTEGRAZIONE DELLE PRESTAZIONI SPECIALISTICHE: <i>Ing. Antonino Alvaro – SIGECO ENGINEERING srl Ordine Ingegneri Provincia di Cosenza n. A282</i>	PROGETTISTI: <i>Arch. Giuseppe Luciano – SIGECO Eng. srl Ordine Architetti di Reggio Cal. n. A2316 Ing. Francesco Tucci – IDROSTRADE srl Ordine Ingegneri Cosenza n. A922 Ing. Carmine Guido – NO.DO. e Serv. srl Ordine Ingegneri Cosenza n. A1379 Ing. Sandro D'Agostini – Ordine Ingegneri Belluno n. A457 Ing. Antonio Barci – BARCI Eng. srl Ordine Ingegneri Cosenza n. A1003</i>
IL COORDINATORE PER LA SICUREZZA IN FASE DI PROGETTAZIONE: <i>Arch. Giuseppe Luciano – SIGECO ENGINEERING srl Ordine Architetti Provincia di Reggio Calabria n. A2316</i>	GRUPPO DI PROGETTAZIONE: <i>Ing. Ovidio Italiano – SIGECO Eng. srl Ordine Ingegneri di Reggio Calabria n. A2177 Arch. Alessandra Alvaro – SIGECO Eng. srl Ordine Architetti Cosenza n. A1490 Ing. Gaetano Zupo – SIGECO Eng. srl Ordine Ingegneri Cosenza n. A5385 Geom. Giuseppe Crispino – SIGECO Eng. srl Collegio Geometri Potenza n. 2296 Ing. Paola Tucci – IDROSTRADE srl Ordine Ingegneri Cosenza n. A5488 Ing. Mario Francesco Perri – IDROSTRADE srl Ordine Ingegneri Cosenza n. A3784 Arch. Simona Tucci – IDROSTRADE srl Ordine Architetti Cosenza n. A1637 Ing. Roberto Scrivano – NO.DO. e Serv. srl Ordine Ingegneri Cosenza n. A2061 Ing. Emiliano Domestico – NO.DO. e Serv. srl Ordine Ingegneri Cosenza n. A5501 Geol. Carolina Simone – NO.DO. e Serv. srl Ordine Geologi della Calabria n. 730 Ing. Giorgio Barci – BARCI Eng. srl Ordine Ingegneri Prov. di Cosenza n. A5873</i>
I GEOLOGI: <i>Dott. Geol. Domenico Carrà – SIGECO Eng. srl Ordine Geologi della Calabria n. 641 Dott. Geol. Francesco Molinaro – SIGECO Eng. srl Ordine Geologi della Calabria n. 1063</i>	
VISTO:IL RESPONSABILE DEL PROCEDIMENTO: <i>Ing. Antonio Marsella</i>	
PROTOCOLLO:	DATA:

**Progetto Stradale  
Asse principale  
Sezioni trasversali dalla pk 9+200 alla pk 12+000**

CODICE PROGETTO	NOME FILE	REV.	SCALA:
CO ME0029 D 2001	P00PS00TRASZ04_A		
	CODICE ELAB.		
	P00PS00TRASZ04	A	1:200
D			
C			
B			
A	Prima emissione	12/2021	Idro.Strade Srl
REV.	DESCRIZIONE	DATA	SOCIETA'
			Ing. F. Tucci
			Arch. G. Luciano
			Ing. A. Alvaro
			REDATTO
			VERIFICATO
			APPROVATO



SEZIONE N.: 430  
 QT. PROGETTO: 41,132  
 DIST. PROG.: 9250,000  
 DIST. PREC.: 25,000  
 DIST. SUCC.: 25,000

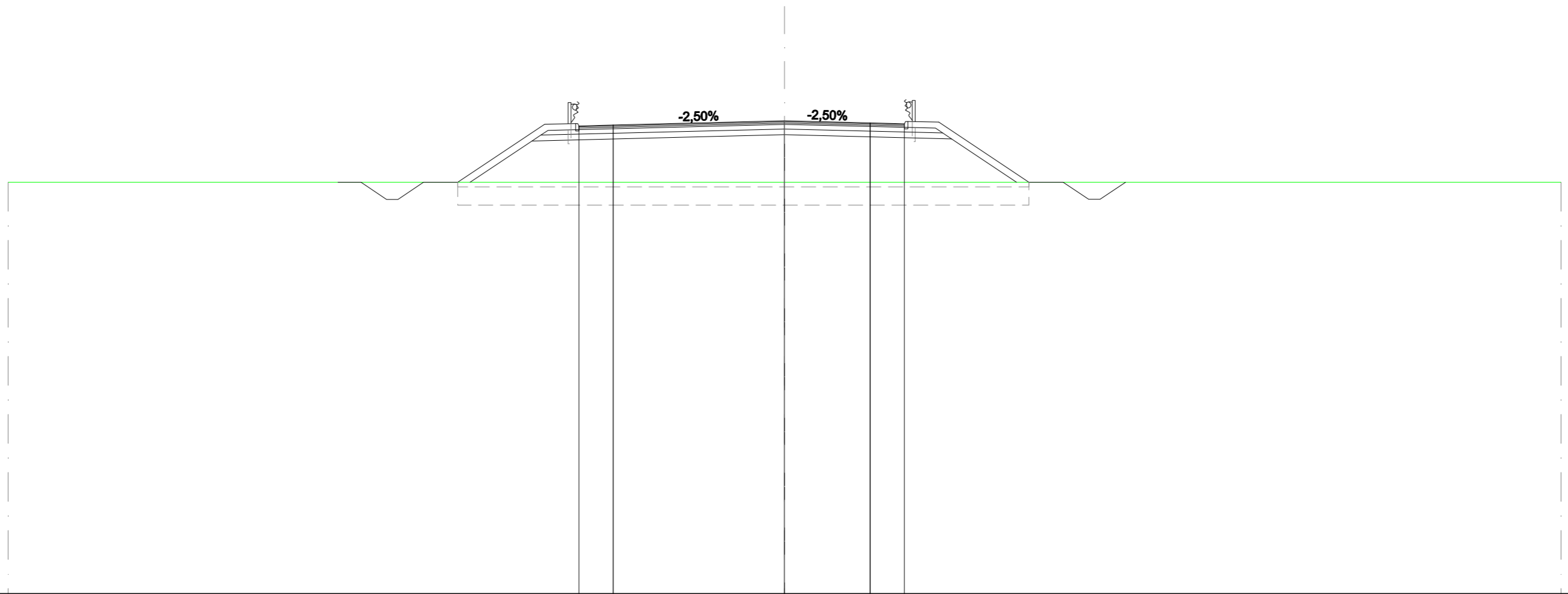


SCALA 1:200

QT.RIF. 20,000

QUOTE TERRENO	38,000		38,014		38,104
DIST. PARZIALI TERRENO		34,000		34,000	
DIST. PROGR. TERRENO	-34,000		0,000		34,000
QUOTE STRATO SUP.		41,038	41,132	41,038	40,781 41,001 41,101 40,781 41,101 41,074
DIST. PARZIALI STRATO SUP.			3,750	3,750	1,500 1,350 4,542
DIST. PROGR. STRATO SUP.		-3,750	0,000	-3,750	5,250 5,300 6,750
					11,292 12,792 13,912 14,412 15,542

SEZIONE N.: 431  
 QT. PROGETTO: 40,691  
 DIST. PROG.: 9275,000  
 DIST. PREC.: 25,000  
 DIST. SUCC.: 25,000

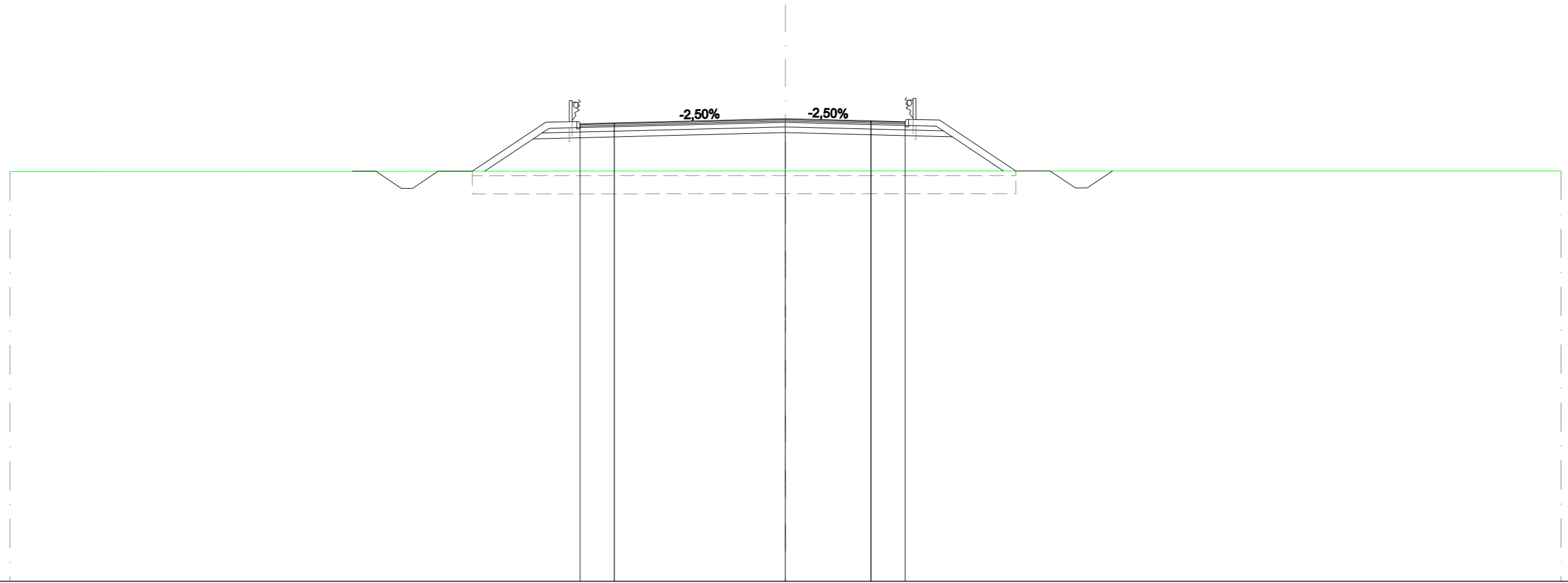


SCALA 1:200

QT.RIF. 20,000

QUOTE TERRENO	-37,996													38,000	38,000													
DIST. PARZIALI TERRENO	34,000												34,000															
DIST. PROGR. TERRENO	-34,000													0,000	34,000													
QUOTE STRATO SUP.		37,998	37,998	37,998	37,248	37,248	37,998	37,998	40,539	40,246	40,566	40,566	40,246	40,466	40,504	40,691	40,597	40,340	40,560	40,560	40,340	40,660	40,633	38,000	38,000	37,250	37,250	38,000
DIST. PARZIALI STRATO SUP.		1,000	1,119	0,600	1,119	1,500	3,809	1,350	1,350	1,500	7,500	3,750	1,500	3,947	1,500	1,119	0,600	1,119	3,947	1,500	1,119	0,600	1,119	1,500	1,119	0,600	1,119	
DIST. PROGR. STRATO SUP.		-19,548	-19,548	-18,548	-17,429	-16,929	-15,810	-14,310	-10,500	-9,150	-8,050	-9,000	-7,500	0,000	-3,750	5,250	5,300	5,400	6,750	10,697	12,197	13,317	13,817	14,936				

SEZIONE N.: 432  
 QT. PROGETTO: 40,292  
 DIST.PROG.: 9300,000  
 DIST.PREC.: 25,000  
 DIST.SUCC.: 25,000



SCALA 1:200

QT.RIF. 20,000

QUOTE TERRENO	37,976											38,000	38,000																	
DIST. PARZIALI TERRENO	34,000										34,000																			
DIST. PROGR. TERRENO	-34,000	0,000										-34,000																		
QUOTE STRATO SUP.		37,987	37,990	37,990	37,240	37,240	37,990	37,990		40,140	39,947	40,167	40,167	39,947	40,067	40,104		40,292	40,198	39,941	40,161	40,261	39,941	40,261	40,234	38,000	38,000	37,250	37,250	38,000
DIST. PARZIALI STRATO SUP.		1,000	1,119	0,500	1,119	1,500	3,223	1,350		1,500	7,500		3,750	1,500	3,349	1,500	1,119	0,500	1,119							1,500	1,119	0,500	1,119	
DIST. PROGR. STRATO SUP.		-18,968	-18,962	-17,962	-16,843	-16,343	-15,223	-13,723		-10,500	-9,150	-8,050	-9,000	-7,500		0,000	-3,750	5,250	5,300	5,400	6,750					10,099	11,599	12,718	13,218	14,338

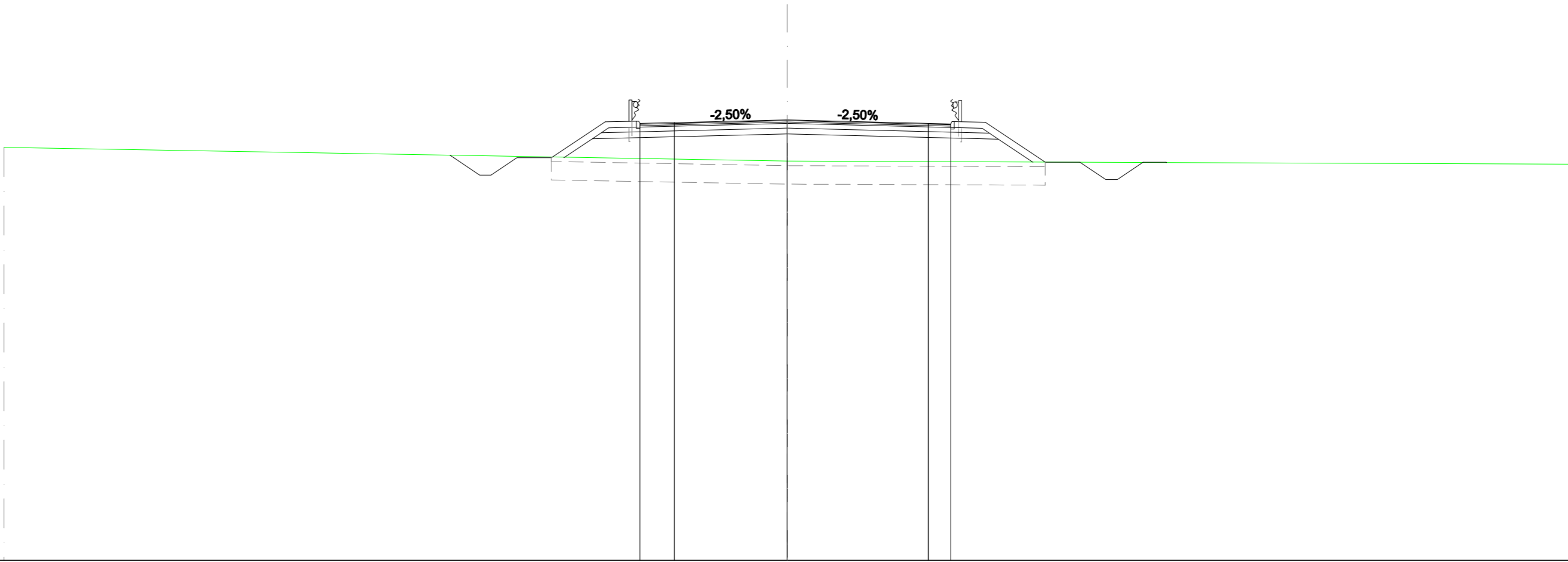








SEZIONE N.: 436  
QT. PROGETTO: 39,112  
DIST. PROG.: 9400,000  
DIST. PREC.: 25,000  
DIST. SUCC.: 25,000



SCALA 1:200

QT.RIF. 20,000

QUOTE TERRENO	37,916								37,321										37,184
DIST. PARZIALI TERRENO		34,000								34,000									
DIST. PROGR. TERRENO	-34,000								0,000										-34,000
QUOTE STRATO SUP.																			
DIST. PARZIALI STRATO SUP.																			
DIST. PROGR. STRATO SUP.																			

37,577  
37,465  
36,715  
36,715  
37,465  
37,465  
39,025  
38,732  
39,052  
39,052  
38,952  
38,732  
38,989  
39,112  
38,959  
38,714  
38,834  
39,034  
38,714  
39,034  
39,007  
37,270  
37,270  
36,520  
36,520  
37,270  
37,270  
37,255

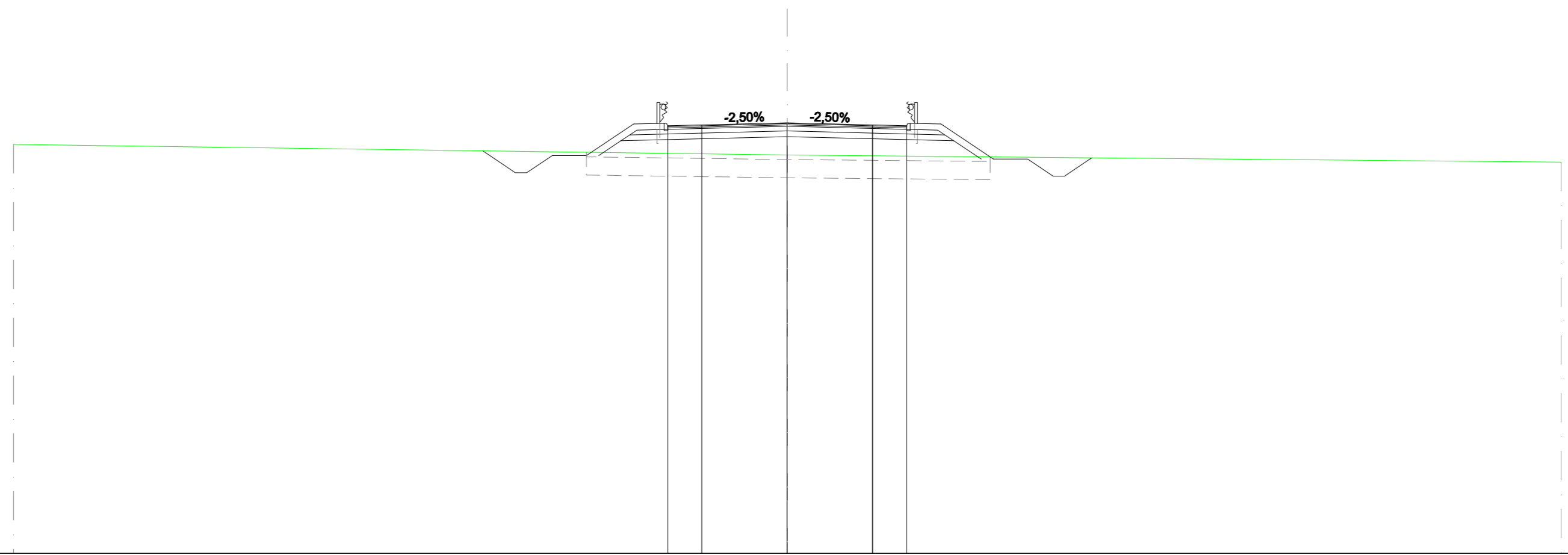
1,119  
0,500  
1,119  
1,500  
2,338  
1,350  
1,500  
4,898  
6,123  
0,973  
1,350  
2,605  
1,500  
1,119  
0,500  
1,119  
1,000

-14,643  
-14,475  
-13,355  
-12,855  
-11,736  
-10,236  
-7,898  
-6,548  
-6,448  
-6,398  
-4,898  
0,000  
6,123  
6,123  
7,095  
7,145  
7,245  
8,595  
11,200  
12,700  
13,820  
14,320  
15,439  
16,439  
16,462

SEZIONE N.: 437  
 QT. PROGETTO: 38,917  
 DIST. PROG.: 9425,000  
 DIST. PREC.: 25,000  
 DIST. SUCC.: 25,000

SCALA 1:200

QT.RIF. 20,000



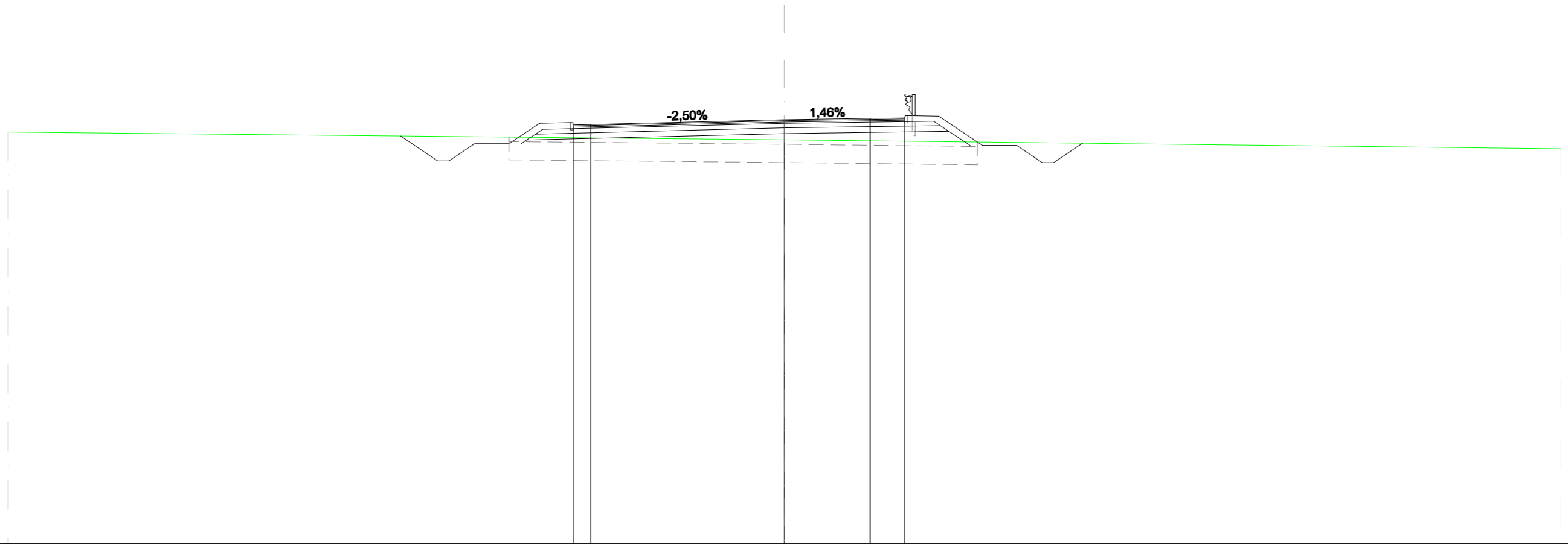
QUOTE TERRENO	37,964															37,498	37,188						
DIST. PARZIALI TERRENO		34,000															34,000						
DIST. PROGR. TERRENO	-34,000															0,000	-34,000						
QUOTE STRATO SUP.		37,681	37,474	36,724	36,724	37,474	37,474	38,859	38,566	38,886	38,886	38,786	38,566	38,859	37,318	37,318	36,568	36,568	37,318	37,376			
DIST. PARZIALI STRATO SUP.		1,119	0,500	1,119	1,500	2,076	1,350	1,500	3,750	3,750	1,500	1,350	2,310	1,500	1,119	0,500	1,119						
DIST. PROGR. STRATO SUP.		-13,375	-13,065	-11,946	-11,446	-10,326	-8,826	-6,750	-5,400	-5,300	-5,250	-3,750	0,000	-3,750	5,250	5,300	6,750	9,060	10,560	11,680	12,180	13,299	13,366



SEZIONE N.: 439  
 QT. PROGETTO: 38,541  
 DIST. PROG.: 9475,000  
 DIST. PREC.: 25,000  
 DIST. SUCC.: 25,000

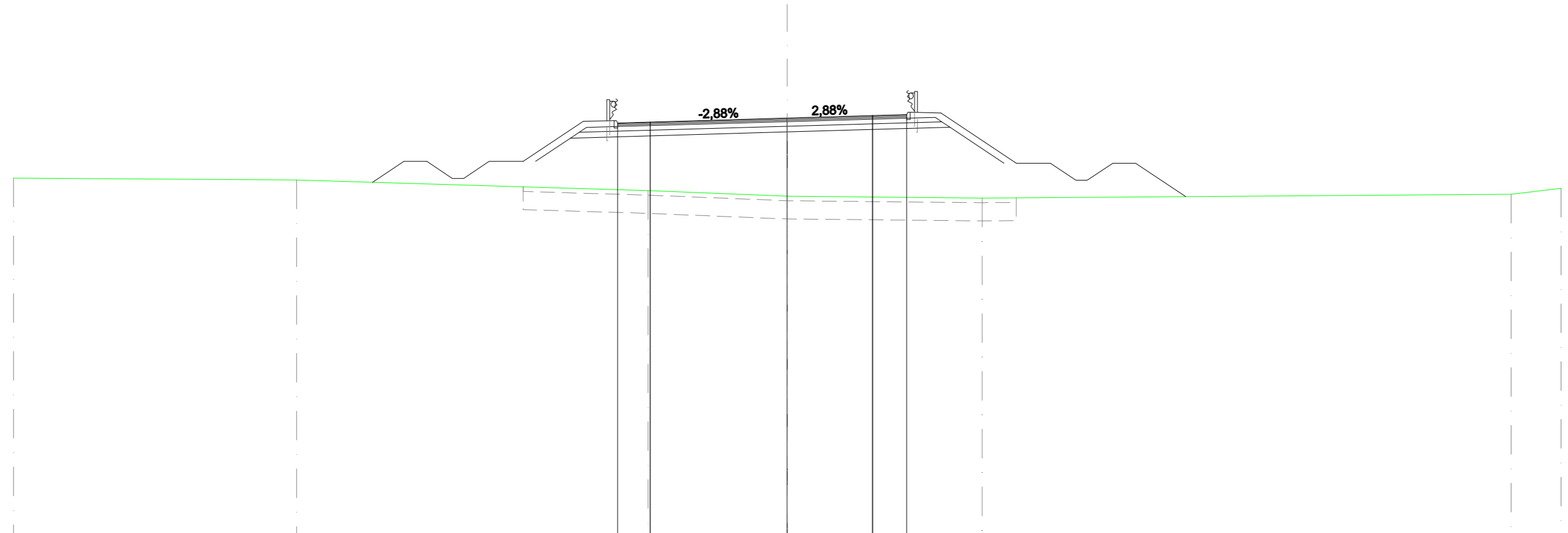
SCALA 1:200

QT.RIF. 20,000



QUOTE TERRENO	38,000		37,664		37,273
DIST. PARZIALI TERRENO	34,000		34,000		
DIST. PROGR. TERRENO	-34,000		0,000		-34,000
QUOTE STRATO SUP.		37,630 37,492		38,541	38,596 38,398 38,518 38,718 38,398 38,718 38,691 37,414 37,414 36,664 36,664 37,414 37,514
DIST. PARZIALI STRATO SUP.		0,508 1,119 0,500 1,119 1,500 1,337 1,350	8,484	3,750	1,500 1,350 1,915 1,500 1,119 0,500 1,119
DIST. PROGR. STRATO SUP.		-16,817 -16,309 -15,190 -14,680 -13,570 -12,070 -10,734	-9,384 -9,284 -9,234 -8,484	0,000	-3,750 5,250 5,300 5,400 6,750 8,665 10,165 11,284 11,784 12,904 13,054

SEZIONE N.: 440  
 QT. PROGETTO: 38,353  
 DIST. PROG.: 9500,000  
 DIST. PREC.: 25,000  
 DIST. SUCC.: 25,000



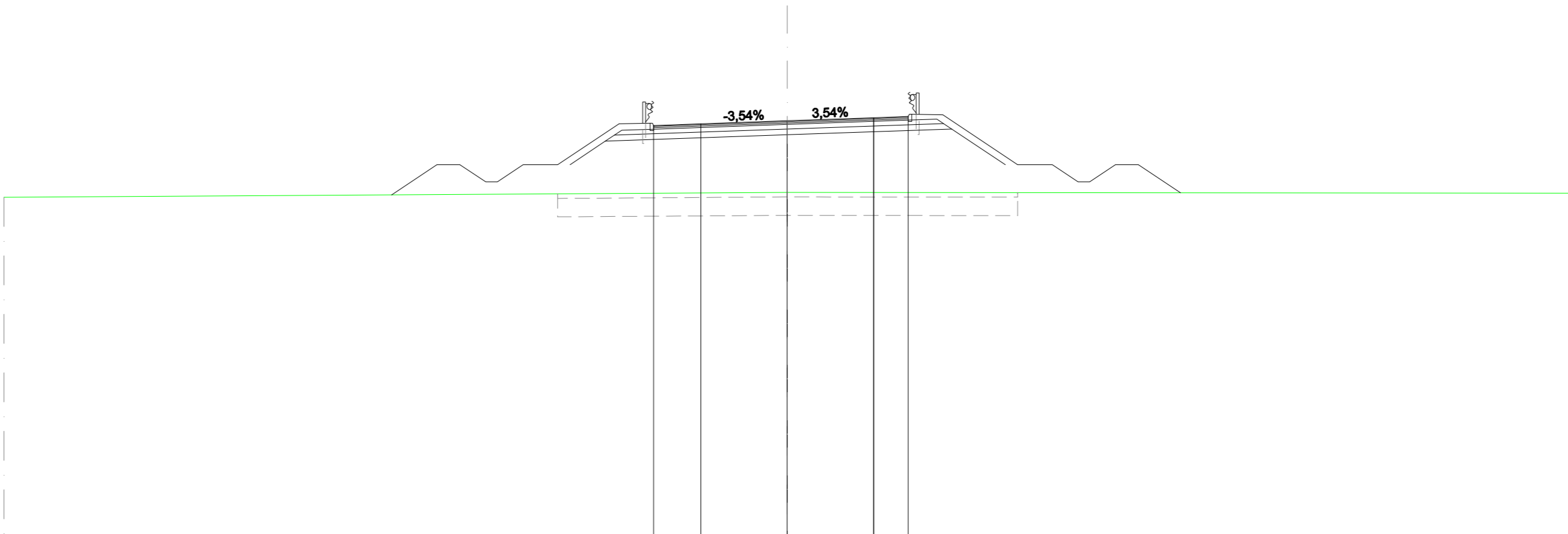
SCALA 1:200

QT.RIF. 20,000

QUOTE TERRENO	35,716	35,624	35,163	34,916	34,832	35,002	35,267
DIST. PARZIALI TERRENO	12,445	15,437	6,118	8,566	23,243	2,191	
DIST. PROGR. TERRENO	-34,000	-21,555	-6,118	0,000	8,566	31,809	34,000
QUOTE STRATO SUP.	35,525	36,448	36,448	35,698	35,698	36,448	36,448
DIST. PARZIALI STRATO SUP.	1,384	1,000	1,119	0,600	1,119	1,500	2,644
DIST. PROGR. STRATO SUP.	-18,223	-16,839	-15,839	-14,720	-14,220	-13,100	-11,600
	38,211	37,918	36,238	36,238	38,138	37,918	36,180
	1,350	1,438	6,018	3,750	3,314	1,500	2,204
	-8,956	-7,606	-7,506	-7,456	-6,018	0,000	3,750
	38,461	38,285	36,505	36,505	38,285	38,605	38,578
	10,064	11,564	12,663	13,183	14,303	15,303	17,507
	3,750	5,250	5,300	5,400	6,750	10,064	11,564
	36,367	36,367	35,617	35,617	36,367	36,367	34,897

SCALA 1:200

QT.RIF. 20,000

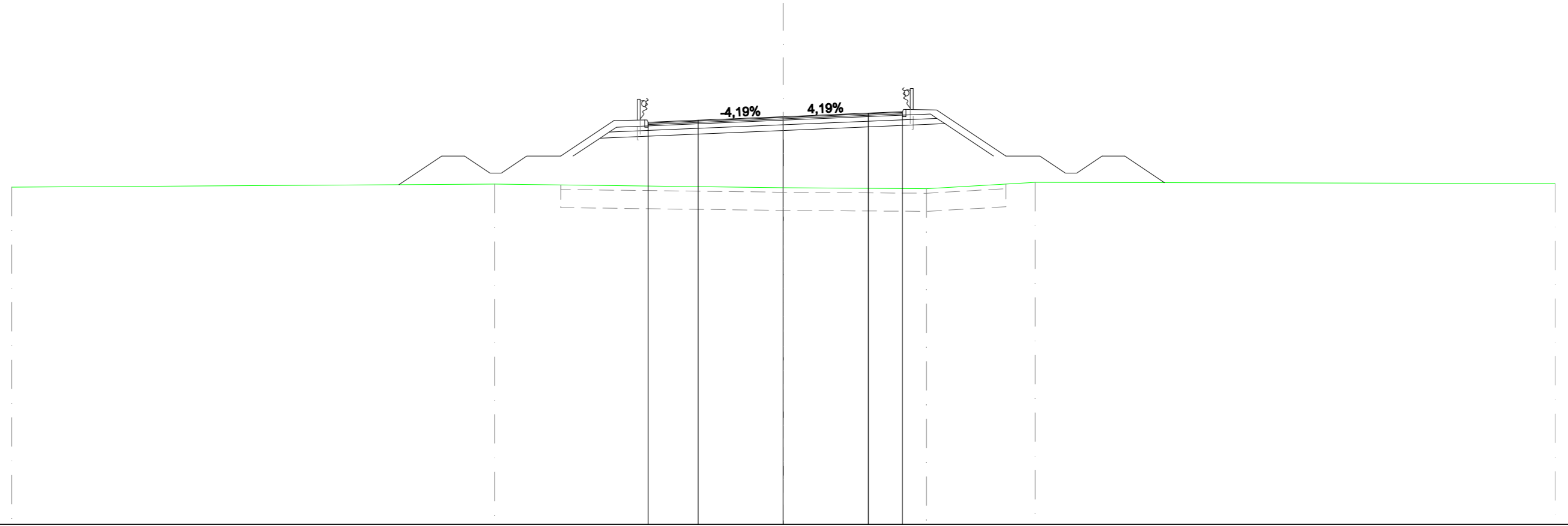


QUOTE TERRENO	-34,838																35,055	-35,021												
DIST. PARZIALI TERRENO	34,000															34,000														
DIST. PROG. TERRENO	-34,000																0,000	-34,000												
QUOTE STRATO SUP.		34,946	36,256	36,256	35,506	35,506	36,256	36,256	38,033	37,740	38,060	37,960	37,740	38,033	38,165	38,298	38,131	38,351	38,451	38,451	38,424	36,256	36,256	35,506	35,506	36,256	36,256	35,038		
DIST. PARZIALI STRATO SUP.		1,965	1,000	1,119	0,500	1,119	1,500	2,664	1,350	2,053	3,750	3,750	1,500	1,350	3,250	1,500	1,119	0,500	1,119	1,000	1,826									
DIST. PROG. STRATO SUP.		-17,171	-15,206	-14,206	-13,086	-12,586	-11,467	-9,967	-7,303	-5,953	-5,853	-5,803	-3,750	0,000	3,750	5,250	5,300	5,400	6,750	10,000	11,500	12,619	13,119	14,239	15,239	17,065				

SEZIONE N.: 442  
 QT. PROGETTO: 37,978  
 DIST. PROG.: 9550,000  
 DIST. PREC.: 25,000  
 DIST. SUCC.: 25,000

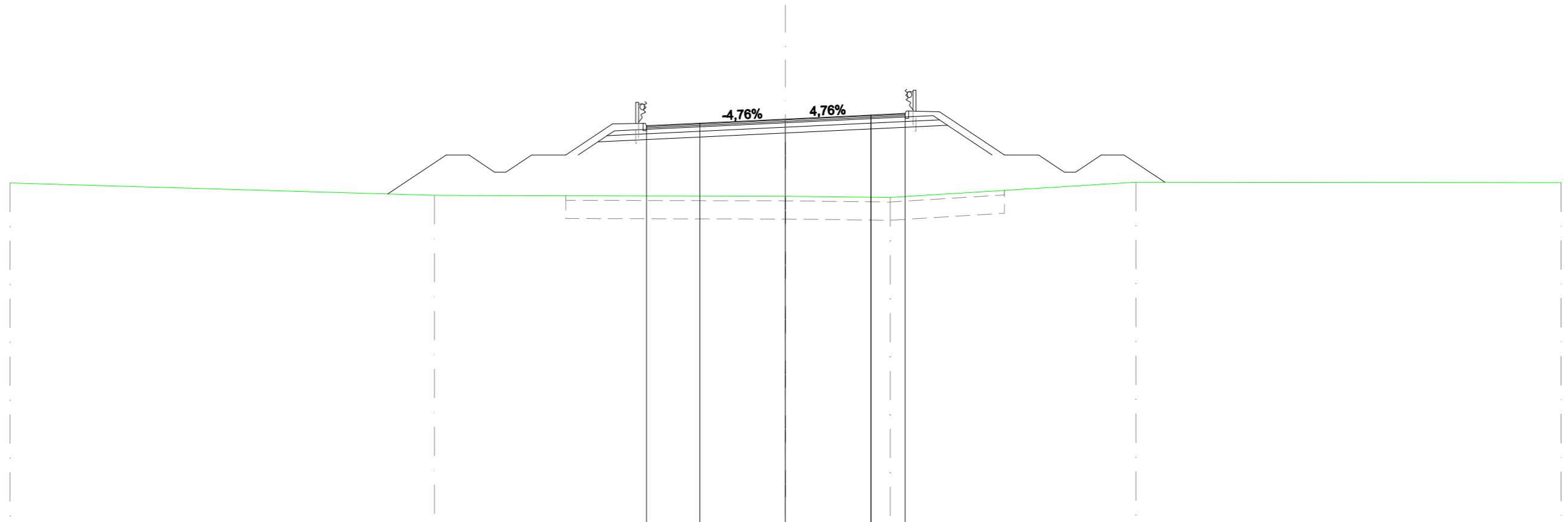
SCALA 1:200

QT.RIF. 20,000



QUOTE TERRENO	34,866											35,000											34,841											34,799											35,074											35,027																																																		
DIST. PARZIALI TERRENO																					21,285																					12,715																					6,305																					4,790																					22,905	
DIST. PROGR. TERRENO	-34,000																					-12,715																					0,000																					6,305																					11,095																					34,000
QUOTE STRATO SUP.																					34,973	36,234	36,234	35,484	35,484	36,234	36,234	37,801	37,508	37,828	37,928	37,728	37,508	37,820																					37,978	38,135	37,978	38,198	38,298	37,978	38,298	38,271	36,234	36,234	35,484	35,484	36,234	36,234	35,063																																					
DIST. PARZIALI STRATO SUP.																					1,890	1,000	1,119	0,500	1,119	1,500	2,349	1,350	2,207	3,750	3,750	1,500	1,350	3,054	1,500	1,119	0,500	1,119	1,000	1,756																																																																		
DIST. PROGR. STRATO SUP.																					-16,935	-15,045	-14,045	-12,926	-12,426	-11,306	-9,806	-7,457	-6,107	-6,007	-5,957	-3,750																					0,000	-3,750	5,250	5,300	5,400	6,750	-9,804	-11,304	-12,423	-12,923	-14,043	-15,043	-16,799																																									

SEZIONE N.: 443  
 QT. PROGETTO: 37,790  
 DIST. PROG.: 9575,000  
 DIST. PREC.: 25,000  
 DIST. SUCC.: 25,000



SCALA 1:200

QT.RIF. 20,000

QUOTE TERRENO	34,981		34,440		34,401	34,348		35,017	35,000																						
DIST. PARZIALI TERRENO		18,617		15,383		4,593	10,768		18,639																						
DIST. PROG. TERRENO	-34,000		-15,383		0,000	-4,593		-15,361	-34,000																						
QUOTE STRATO SUP.		34,499	36,211	36,211	35,461	35,461	36,211	36,211	37,573	37,280	37,600	37,600	37,500	37,280	37,611	37,790	37,968	37,819	36,939	36,139	37,819	36,139	38,112	36,211	36,211	35,461	35,461	36,211	36,211	35,016	
DIST. PARZIALI STRATO SUP.		2,567	1,000	1,119	0,500	1,119	1,500	2,041	1,350	2,340	3,750	3,750	1,500	1,350	2,850	1,500	1,119	0,500	1,119	1,000	1,792										
DIST. PROG. STRATO SUP.		-17,437	-14,870	-13,870	-12,751	-12,251	-11,131	-9,631	-7,590	-6,240	-6,140	-6,090	-3,750	0,000	3,750	5,250	5,300	5,400	6,750	9,600	11,100	12,220	12,720	13,839	14,839	16,631					







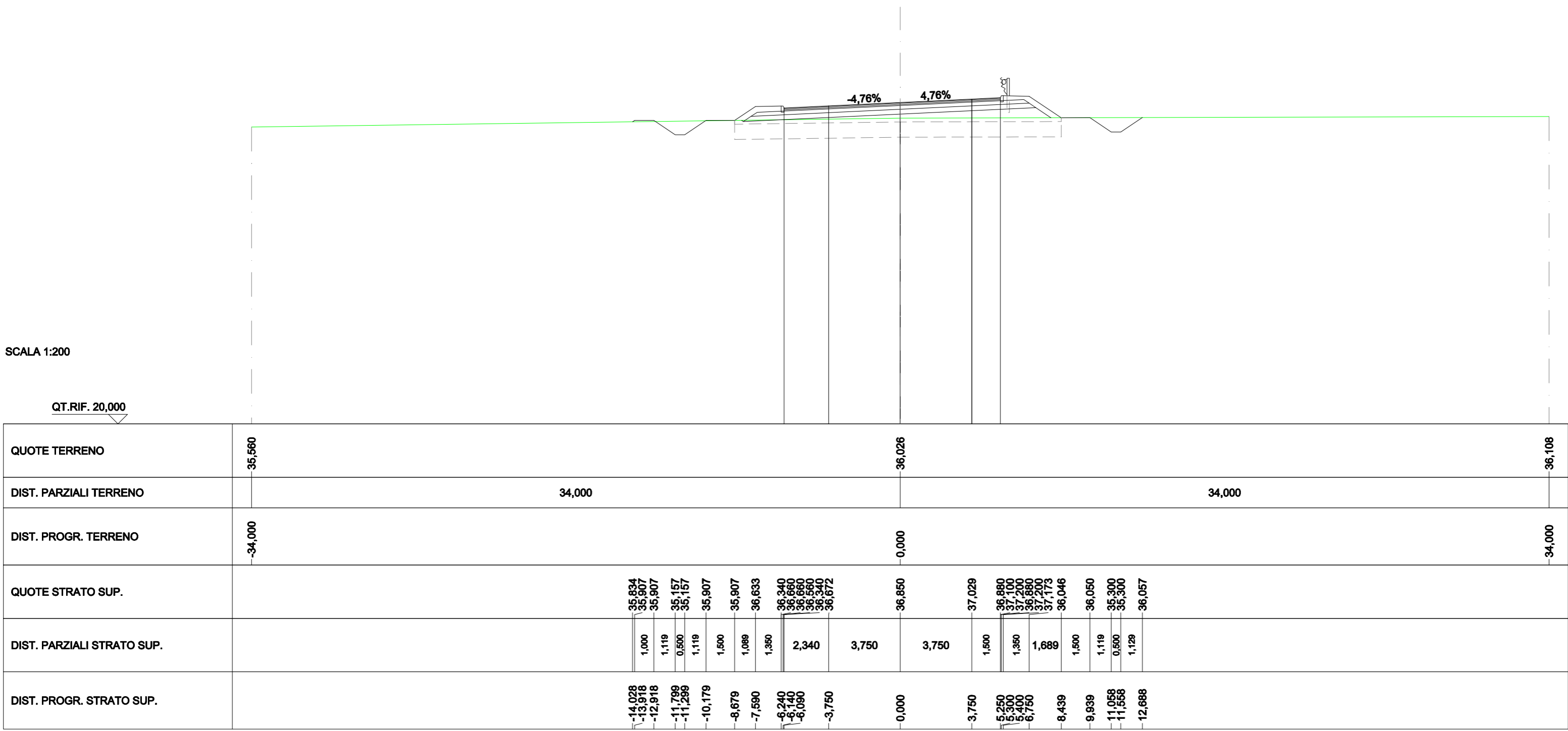




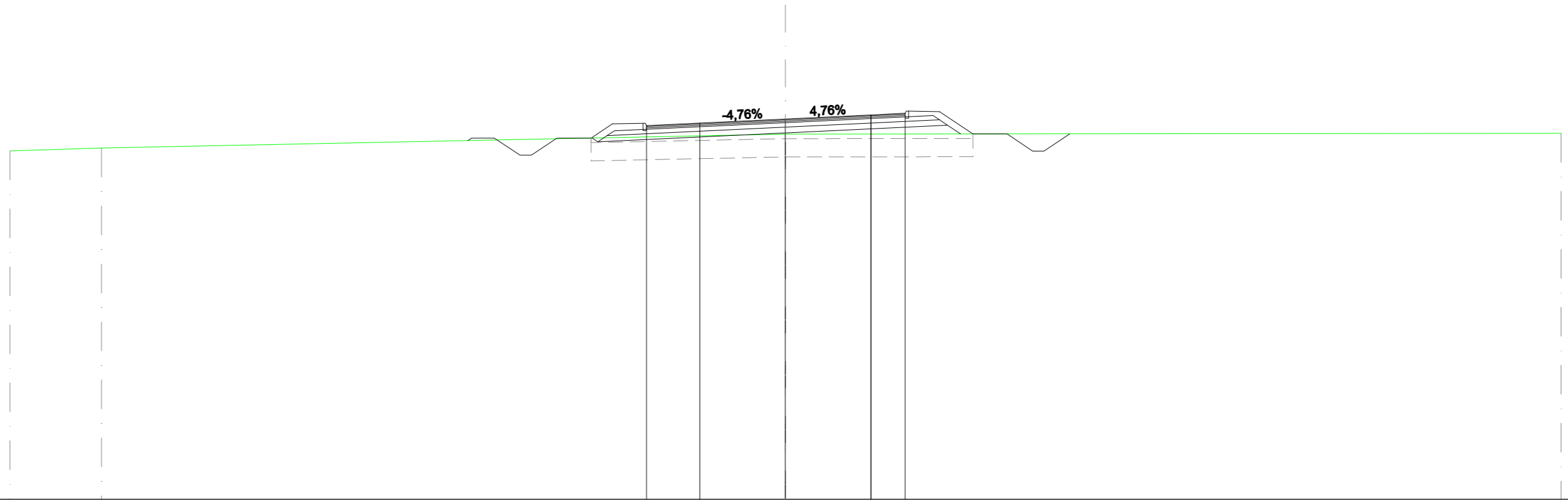
SEZIONE N.: 448  
 QT. PROGETTO: 36,850  
 DIST.PROG.: 9700,000  
 DIST.PREC.: 25,000  
 DIST.SUCC.: 25,000

SCALA 1:200

QT.RIF. 20,000



SEZIONE N.: 449  
 QT. PROGETTO: 36,662  
 DIST.PROG.: 9725,000  
 DIST.PREC.: 25,000  
 DIST.SUCC.: 25,000



SCALA 1:200

QT.RIF. 20,000

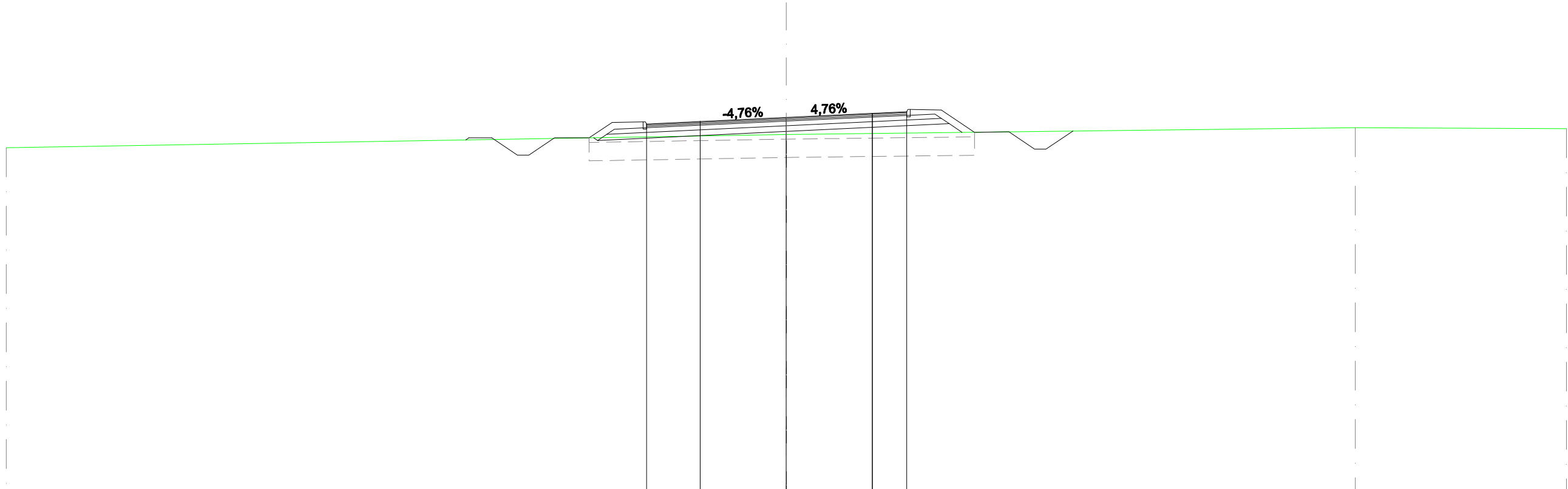
QUOTE TERRENO	35,261	35,387			36,000			36,032																	
DIST. PARZIALI TERRENO	4,015	29,985			34,000																				
DIST. PROGR. TERRENO	-34,000	-29,985			0,000			-34,000																	
QUOTE STRATO SUP.			35,716	35,826	35,826	35,076	35,826	35,826	36,662	36,841	36,892	36,912	37,012	36,992	37,012	36,985	36,008	36,009	35,259	35,259	36,012				
DIST. PARZIALI STRATO SUP.			1,000	1,119	0,500	1,119	1,500	0,929	1,350	2,340	3,750	3,750	1,500	1,350	1,485	1,500	1,119	0,500	1,123						
DIST. PROGR. STRATO SUP.			-13,923	-13,758	-12,758	-11,638	-11,138	-10,019	-8,519	-7,590	-6,240	-6,140	-6,090	-3,750	0,000	3,750	5,250	5,300	5,400	6,750	8,215	9,715	10,834	11,334	12,458



SEZIONE N.: 451  
QT. PROGETTO: 36,287  
DIST. PROG.: 9775,000  
DIST. PREC.: 25,000  
DIST. SUCC.: 25,000

SCALA 1:200

QT.RIF. 20,000



The diagram shows a cross-section of a road with a central slope of 4.76%. The road surface is shown as a solid line, and the existing ground level is shown as a dashed line. The road has a width of approximately 24,797 units. The vertical curve data is summarized in the table below.

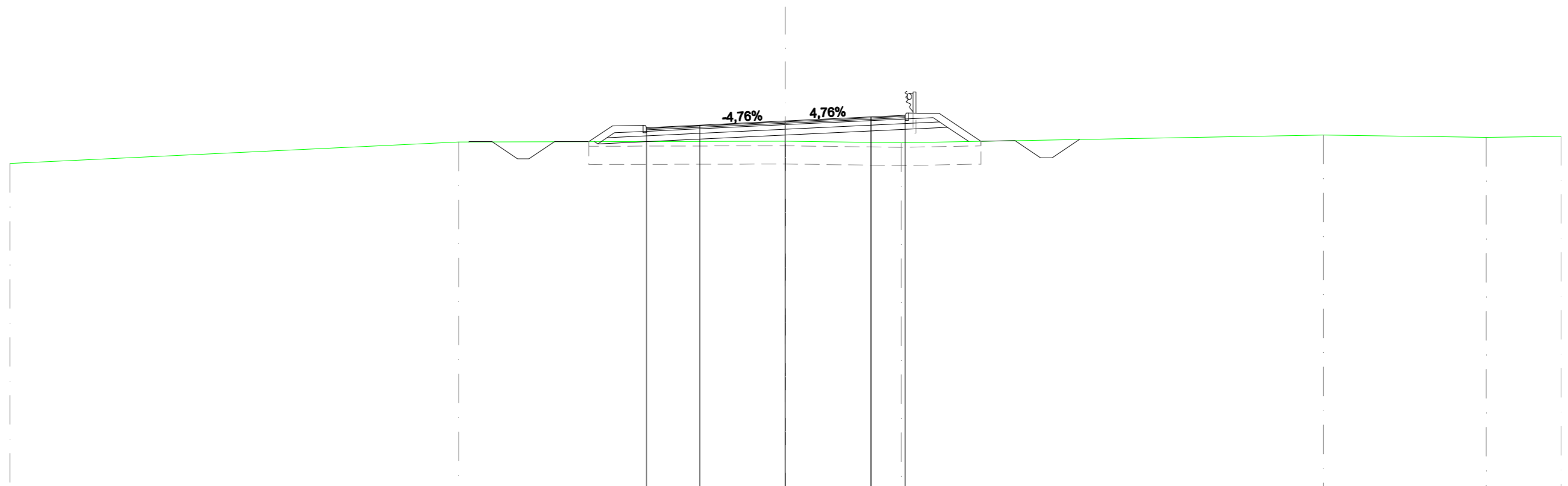
QUOTE TERRENO	34,968	35,542	35,840	35,800
DIST. PARZIALI TERRENO	34,000	24,797	9,203	
DIST. PROGR. TERRENO	-34,000	0,000	24,797	-34,000
QUOTE STRATO SUP.		35,306 35,397 35,397 34,647 34,647 35,397 35,397 36,070 35,777 36,097 36,097 35,997 35,777 36,108	36,287 36,465 36,316 36,356 36,356 36,316 36,636 36,609 35,641 35,659 34,909 34,909 35,692	
DIST. PARZIALI STRATO SUP.		1,000 1,119 0,500 1,119 1,500 1,009 1,350 2,340 3,750 3,750 1,500 1,350 1,452 1,500 1,119 0,500 1,169		
DIST. PROGR. STRATO SUP.		-13,974 -13,838 -12,838 -11,718 -11,218 -10,099 -8,599 -7,590 -6,240 -6,140 -6,090 -3,750	0,000 -3,750 5,250 5,300 5,400 6,750 8,202 9,702 10,821 11,321 12,491	



SEZIONE N.: 452  
 QT. PROGETTO: 36,099  
 DIST. PROG.: 9800,000  
 DIST. PREC.: 25,000  
 DIST. SUCC.: 25,000

SCALA 1:200

QT.RIF. 20,000

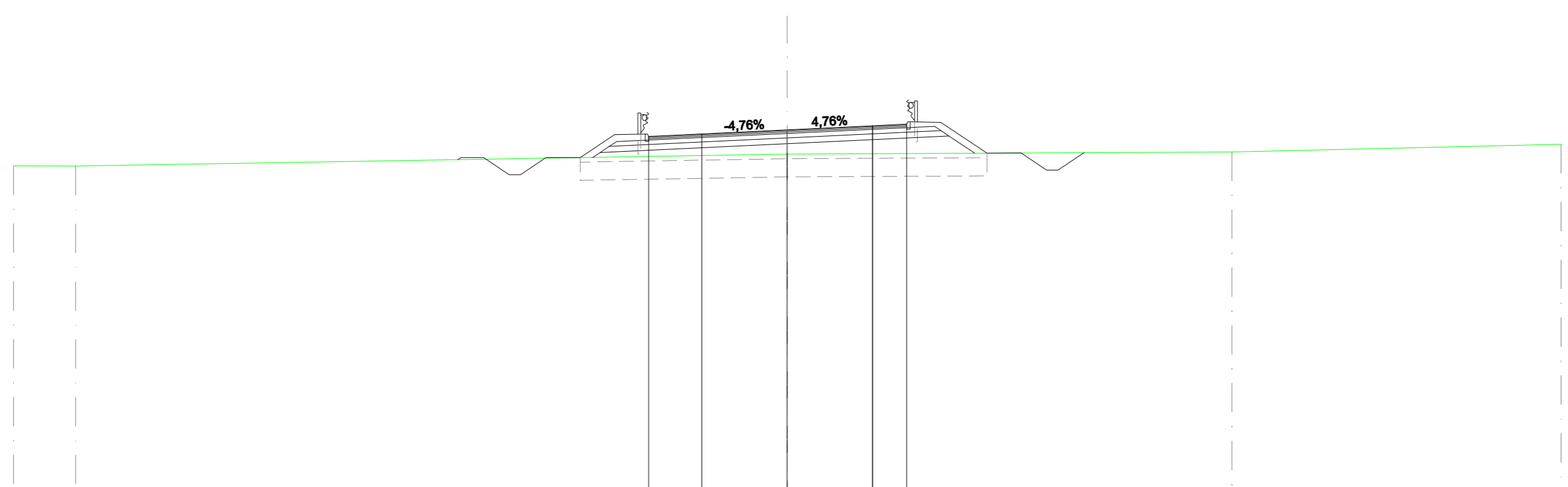


QUOTE TERRENO	-34,237		35,179		35,214		35,146		35,485		35,382		35,425
DIST. PARZIALI TERRENO		19,673		14,327		5,076		18,500		7,137		3,288	
DIST. PROGR. TERRENO	-34,000		-14,327		0,000		5,076		23,575		30,712		34,000
QUOTE STRATO SUP.			35,180 35,193 35,193	34,443 34,443	35,193 35,193	35,569 35,909 35,909 35,809 35,589 35,920	36,099	36,277 36,128 36,348 36,448 36,128 36,448 36,421	35,210 35,237	34,487 34,487	35,289		
DIST. PARZIALI STRATO SUP.			1,000 1,119 0,500 1,119	1,500	1,033 1,350	2,340 3,750	3,750	1,500 1,350 1,816	1,500 1,119 0,500 1,196				
DIST. PROGR. STRATO SUP.			-13,881 -13,861 -12,861	-11,742 -11,242	-10,123	-8,623 -7,590 -6,240 -6,140 -6,090	-3,750	0,000	-3,750 5,250 5,300 5,400 6,750	-8,566 -10,066	-11,186 -11,686	-12,882	

SEZIONE N.: 453  
 QT. PROGETTO: 35,911  
 DIST.PROG.: 9825,000  
 DIST.PREC.: 25,000  
 DIST.SUCC.: 25,000

SCALA 1:200

QT.RIF. 20,000

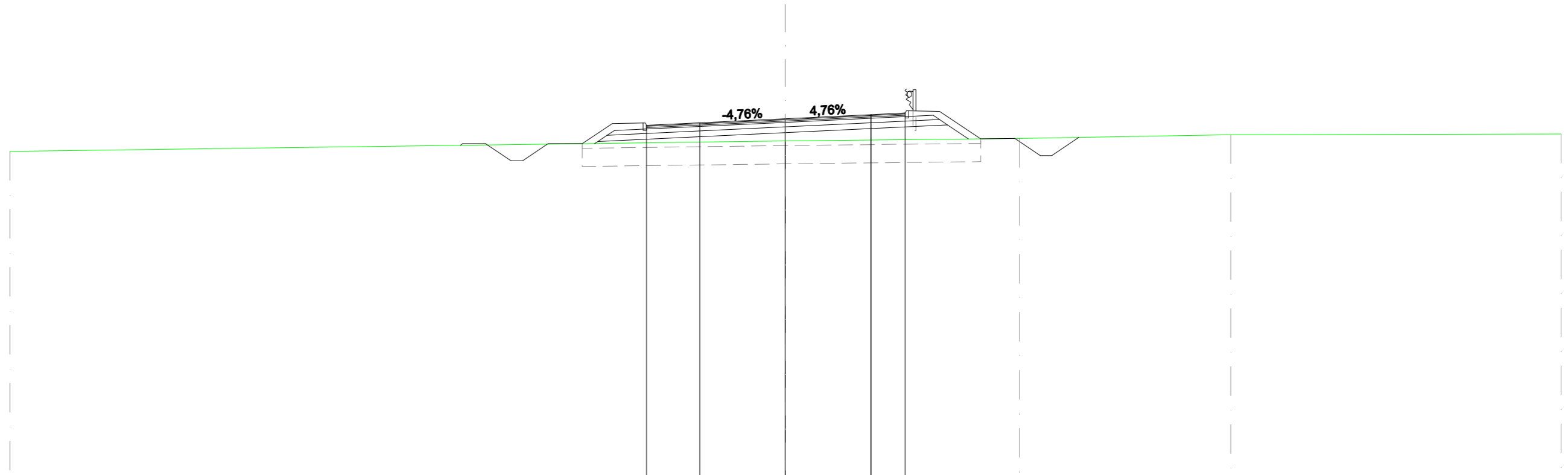


QUOTE TERRENO	34,321	34,317					34,840								34,932											35,270							
DIST. PARZIALI TERRENO	2,726		31,274							19,535						14,465																	
DIST. PROGR. TERRENO	-34,000	-31,274						0,000							-19,535											-34,000							
QUOTE STRATO SUP.				34,598	34,688	34,688	33,938	33,938	34,688	34,688	35,694	35,401	35,721	35,721	35,621	35,401	35,732		35,911		36,089	35,941	36,161	36,261	36,941	36,261	36,234	34,881	34,888	34,138	34,138	34,901	
DIST. PARZIALI STRATO SUP.				1,000	1,119	0,500	1,119	1,500	1,500	1,350		2,340	3,750	3,750	1,500				3,750		3,750	1,500	1,350	2,028	1,500	1,119	0,500	1,139					
DIST. PROGR. STRATO SUP.				-14,472	-14,337	-13,337	-12,218	-11,718	-10,599	-9,099	-7,590	-6,240	-6,140	-6,090	-3,750				0,000		-3,750	5,250	5,300	5,400	6,750	-8,778	-10,278	-11,397	-11,897	-13,036			

SEZIONE N.: 454  
 QT. PROGETTO: 35,723  
 DIST. PROG.: 9850,000  
 DIST. PREC.: 25,000  
 DIST. SUCC.: 25,000

SCALA 1:200

QT.RIF. 20,000

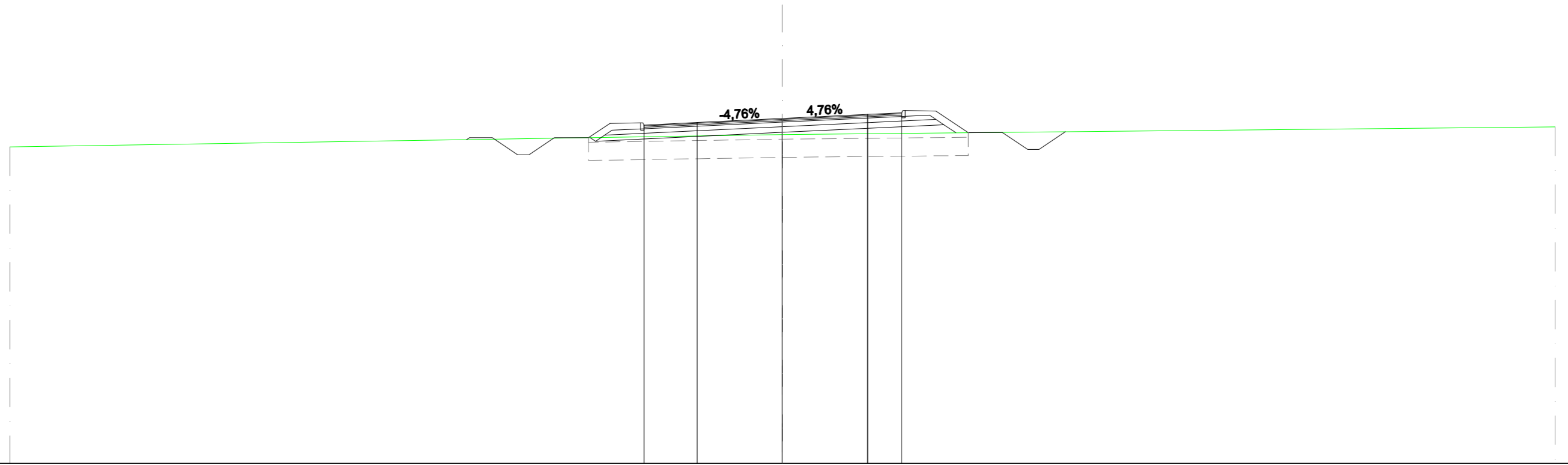


QUOTE TERRENO		34,293						34,745		34,860		35,020		35,056												
DIST. PARZIALI TERRENO			34,000						10,270		9,253		14,478													
DIST. PROGR. TERRENO		-34,000						0,000		10,270		19,522		34,000												
QUOTE STRATO SUP.				34,556	34,627	34,627			35,723		35,901		35,753	35,753	36,073	36,073	36,046	34,841	34,858	34,108	34,108	34,905				
DIST. PARZIALI STRATO SUP.				1,000	1,119	0,500	1,119	1,500	1,318	1,350	2,340	3,750	3,750	1,500	1,350	1,806	1,500	1,119	0,500	1,190						
DIST. PROGR. STRATO SUP.				-14,254	-14,147	-13,147	-12,028	-11,528	-10,408	-8,908	-7,590	-6,240	-6,140	-6,090	-3,750	0,000	3,750	5,250	5,300	5,400	6,750	8,556	10,056	11,175	11,675	12,865





SEZIONE N.: 457  
 QT. PROGETTO: 35,159  
 DIST. PROG.: 9925,000  
 DIST. PREC.: 25,000  
 DIST. SUCC.: 25,000



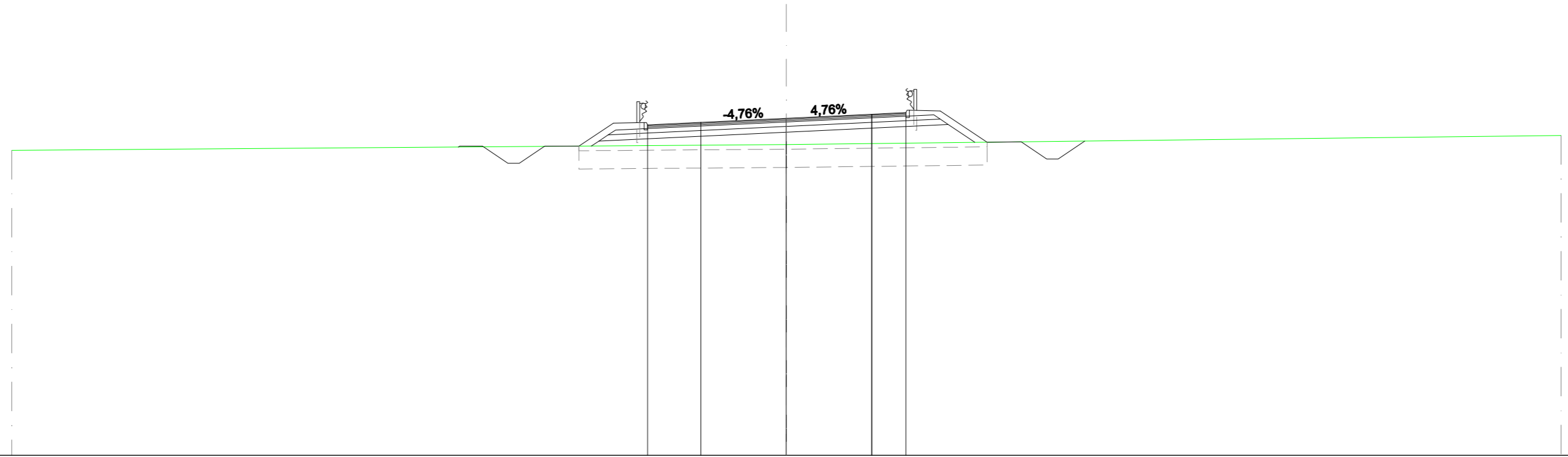
SCALA 1:200

QT.RIF. 20,000

QUOTE TERRENO	-33,908											34,449	-34,794																
DIST. PARZIALI TERRENO		34,000											34,000																
DIST. PROGR. TERRENO	-34,000											0,000	-34,000																
QUOTE STRATO SUP.			34,228	34,313	34,313	33,563	33,563	34,313		34,313	34,943	34,650	34,970	34,970	34,870	34,650	34,981	35,159	35,338	35,189	35,409	35,509	35,189	35,509	34,532	34,547	33,797	33,797	34,576
DIST. PARZIALI STRATO SUP.			1,000	1,119	0,500	1,119	1,500		0,943	1,350	2,340	3,750	3,750	1,500					1,350	1,424	1,500	1,119	0,500	1,161					
DIST. PROGR. STRATO SUP.		-13,900	-13,772	-12,772	-11,652	-11,152	-10,033		-8,533	-7,590	-6,240	-6,140	-6,090	-3,750	0,000	3,750		5,250	5,300	5,400	6,750	8,174	9,674	10,794	11,294	12,455			



SEZIONE N.: 459  
 QT. PROGETTO: 34,783  
 DIST. PROG.: 9975,000  
 DIST. PREC.: 25,000  
 DIST. SUCC.: 25,000



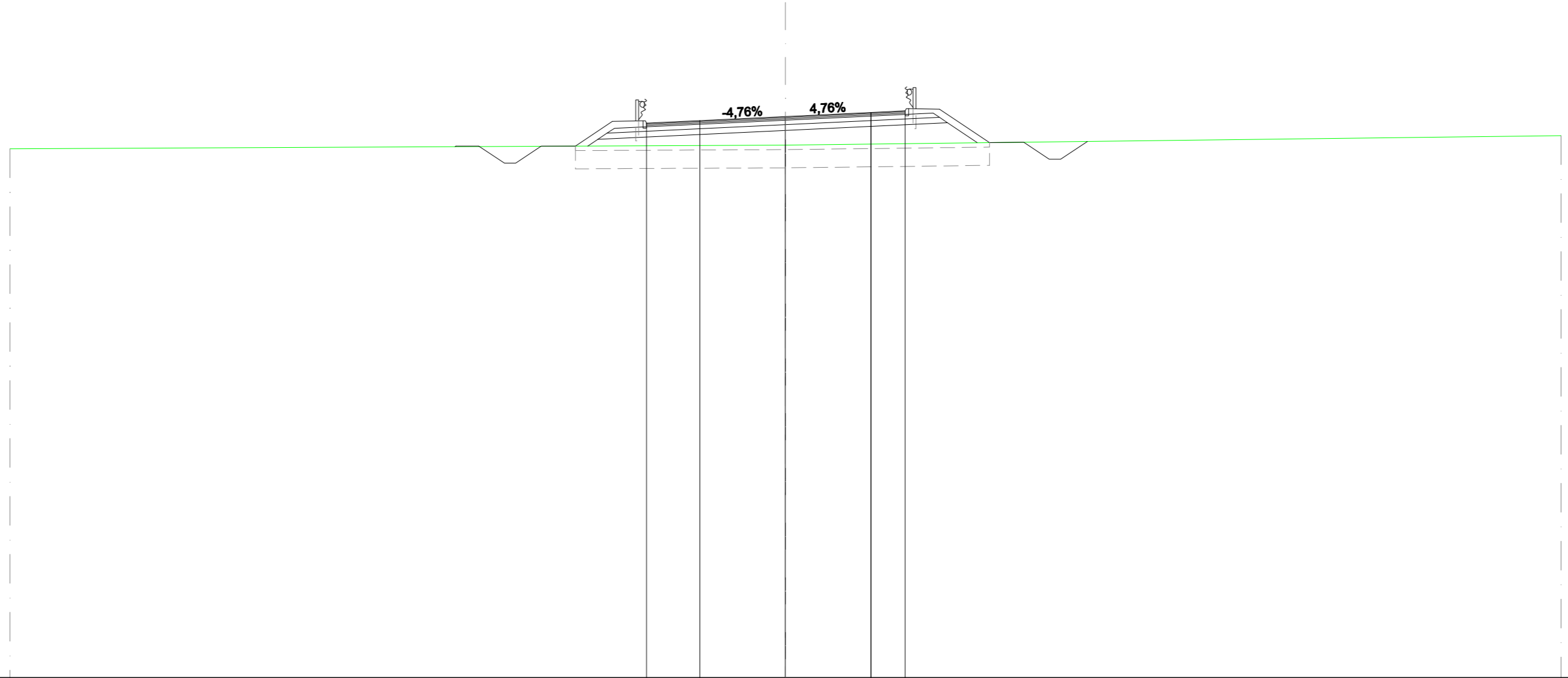
SCALA 1:200

QT.RIF. 20,000

QUOTE TERRENO	33,373		33,627	34,029
DIST. PARZIALI TERRENO		34,000		34,000
DIST. PROGR. TERRENO	-34,000		0,000	-34,000
QUOTE STRATO SUP.		33,519 33,559 33,559	32,809 32,809 33,559	33,559 33,559 34,567 34,274 34,594 34,594 34,274 34,605
DIST. PARZIALI STRATO SUP.		1,000 1,119 0,500 1,119 1,500 1,511 1,350	2,340 3,750 3,750 1,500 1,350 2,062 1,500 1,119 0,500 1,169	
DIST. PROGR. STRATO SUP.		-14,399 -14,340 -13,340	-12,220 -11,720 -10,601 -9,101 -7,590 -6,240 -6,140 -6,090 -3,750	0,000 -3,750 5,250 5,300 5,400 6,750 -8,812 -10,312 -11,431 -11,931 -13,100



SEZIONE N.: 460  
 QT. PROGETTO: 34,596  
 DIST. PROG.: 10000,000  
 DIST. PREC.: 25,000  
 DIST. SUCC.: 25,000



SCALA 1:200

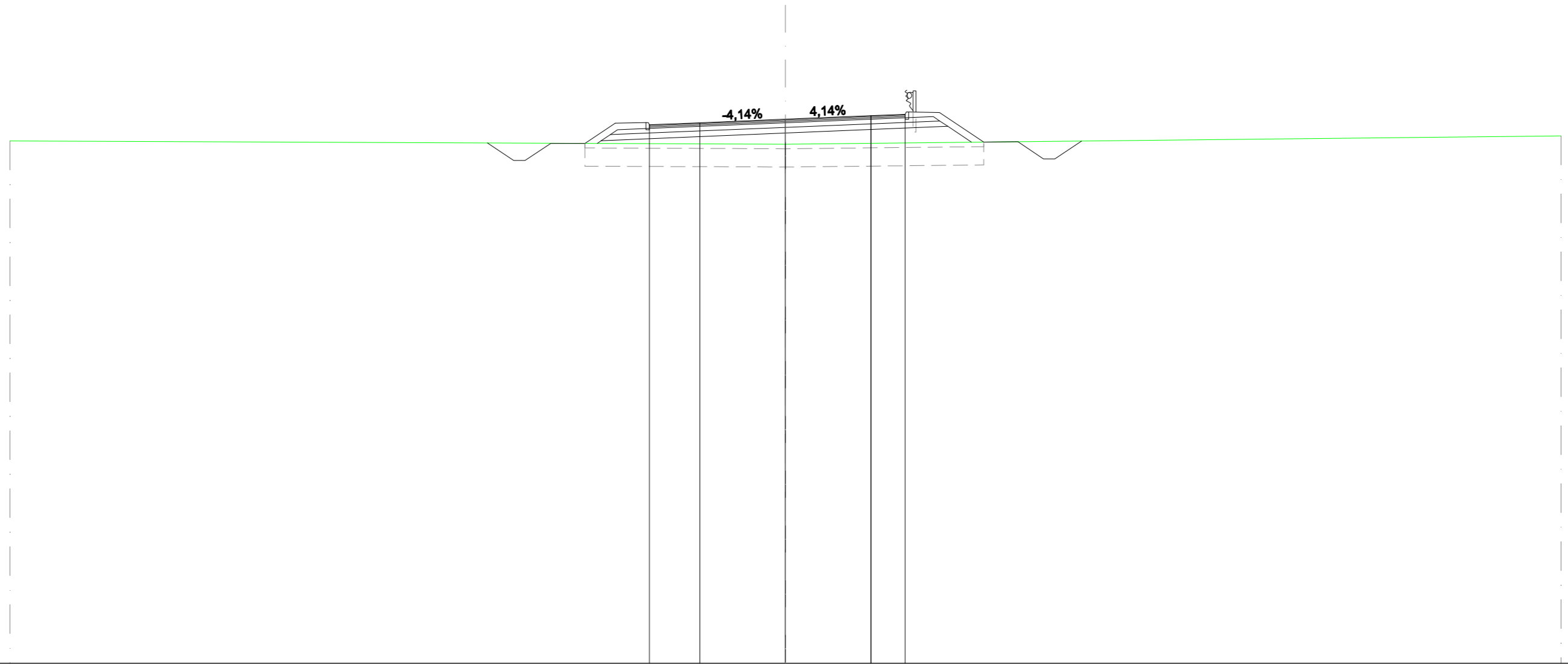
QT.RIF. 10,000

QUOTE TERRENO	33,185														33,345	33,759												
DIST. PARZIALI TERRENO		34,000														34,000												
DIST. Progr. TERRENO	-34,000														0,000	-34,000												
QUOTE STRATO SUP.		33,277	33,301	33,301	32,551	32,551	33,301	33,301	34,379	34,086	34,406	34,406	34,306	34,086	34,417	34,596	34,774	34,625	34,845	34,945	34,625	34,945	34,918	33,454	33,472	32,722	32,722	33,506
DIST. PARZIALI STRATO SUP.		1,000	1,119	0,500	1,119	1,500	1,615	1,350	2,340	3,750	3,750	1,500	1,350	2,196	1,500	1,119	0,500	1,170										
DIST. Progr. STRATO SUP.		-14,481	-14,444	-13,444	-12,325	-11,825	-10,705	-9,205	-7,590	-6,240	-6,140	-6,090	-3,750	0,000	3,750	5,250	5,300	5,400	6,750	8,946	10,446	11,565	12,065	13,236				









SCALA 1:200

QT.RIF. 10,000

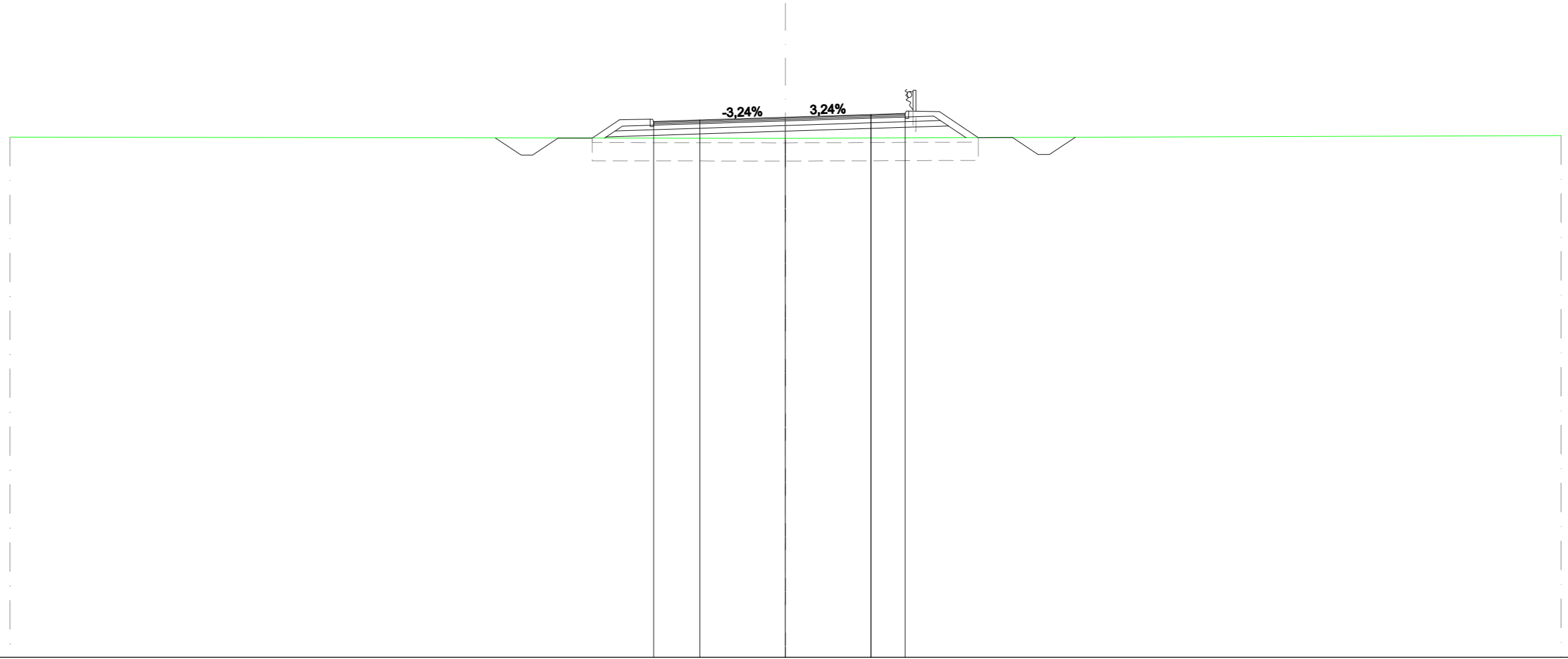
QUOTE TERRENO				32,893							32,749											33,114
DIST. PARZIALI TERRENO						34,000																34,000
DIST. PROGR. TERRENO				-34,000								0,000										-34,000
QUOTE STRATO SUP.																						
DIST. PARZIALI STRATO SUP.																						
DIST. PROGR. STRATO SUP.																						

32,804  
 32,786  
 32,036  
 32,036  
 32,786  
 32,786  
 33,674  
 33,381  
 33,701  
 33,601  
 33,381  
 33,692  
 33,848  
 34,003  
 33,845  
 34,065  
 34,165  
 33,845  
 34,165  
 34,138  
 32,842  
 32,859  
 32,109  
 32,109  
 32,888

1,119  
 0,600  
 1,119  
 1,500  
 1,331  
 1,360  
 2,212  
 3,750  
 3,750  
 1,500  
 1,360  
 1,942  
 1,500  
 1,119  
 0,600  
 1,164

-13,058  
 -13,031  
 -11,912  
 -11,412  
 -10,293  
 -8,793  
 -7,462  
 -6,112  
 -6,012  
 -5,962  
 -3,750  
 0,000  
 3,750  
 5,250  
 5,300  
 5,400  
 6,750  
 8,692  
 10,192  
 11,312  
 11,812  
 12,975

SEZIONE N.: 465  
 QT. PROGETTO: 33,688  
 DIST. PROG.: 10125,000  
 DIST. PREC.: 25,000  
 DIST. SUCC.: 25,000

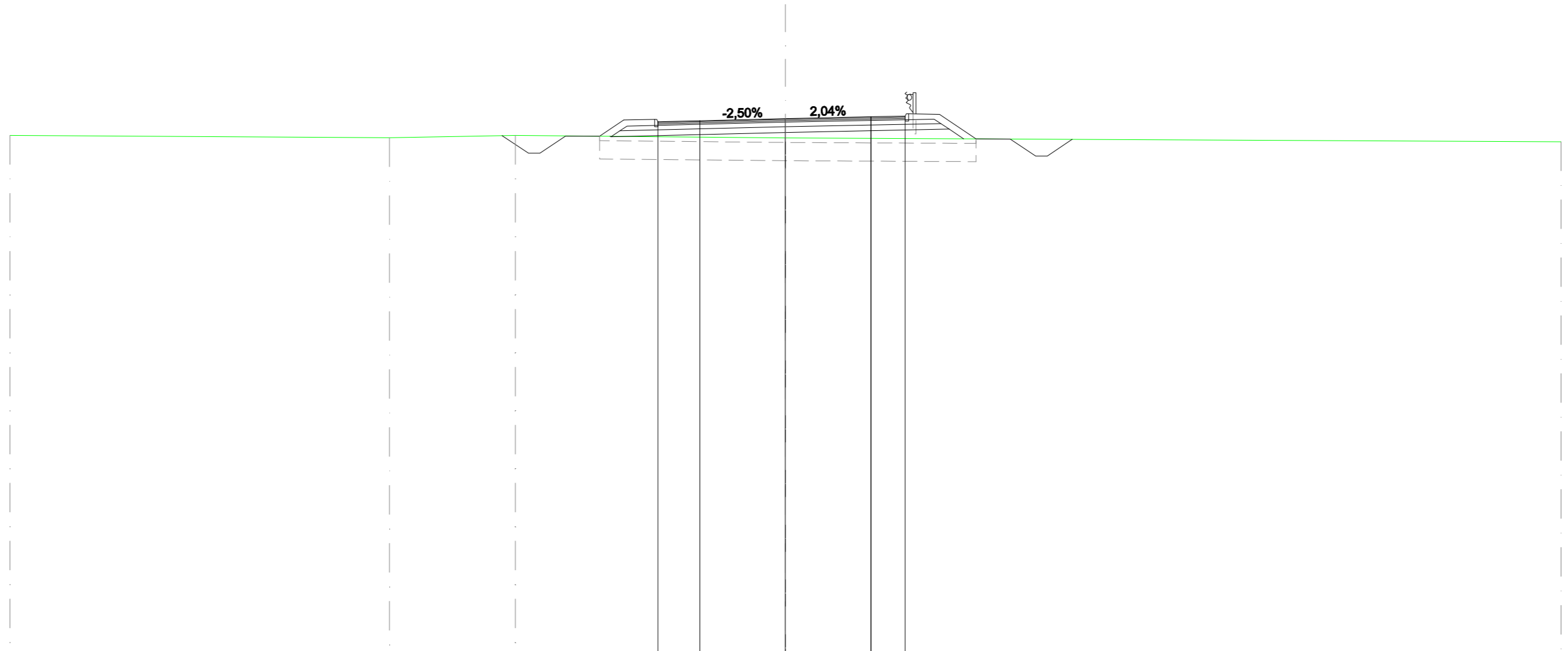


SCALA 1:200

QT.RIF. 10,000

QUOTE TERRENO	32,817															32,765															32,885																			
DIST. PARZIALI TERRENO	34,000														34,000																																			
DIST. PROGR. TERRENO	-34,000																													0,000	-34,000																			
QUOTE STRATO SUP.															32,785	32,778	32,778	32,778	33,575	33,282	33,602	33,602	33,502	33,282	33,567	33,688	33,810	33,638	33,658	33,658	33,638	33,638	33,631	32,795	32,800	32,050	32,050	32,810												
DIST. PARZIALI STRATO SUP.															1,119	0,500	1,119	1,500	1,184	1,350	2,025	3,750	3,750	1,500	1,350	1,703	1,500	1,119	0,500	1,134																				
DIST. PROGR. STRATO SUP.															-12,717	-12,708	-11,588	-11,088	-9,969	-8,469	-7,275	-5,925	-5,825	-5,775	-3,750	0,000	-3,750	5,250	5,300	5,400	6,750	8,453	9,953	11,073	11,573	12,706														

SEZIONE N.: 466  
 QT. PROGETTO: 33,557  
 DIST.PROG.: 10150,000  
 DIST.PREC.: 25,000  
 DIST.SUCC.: 25,000

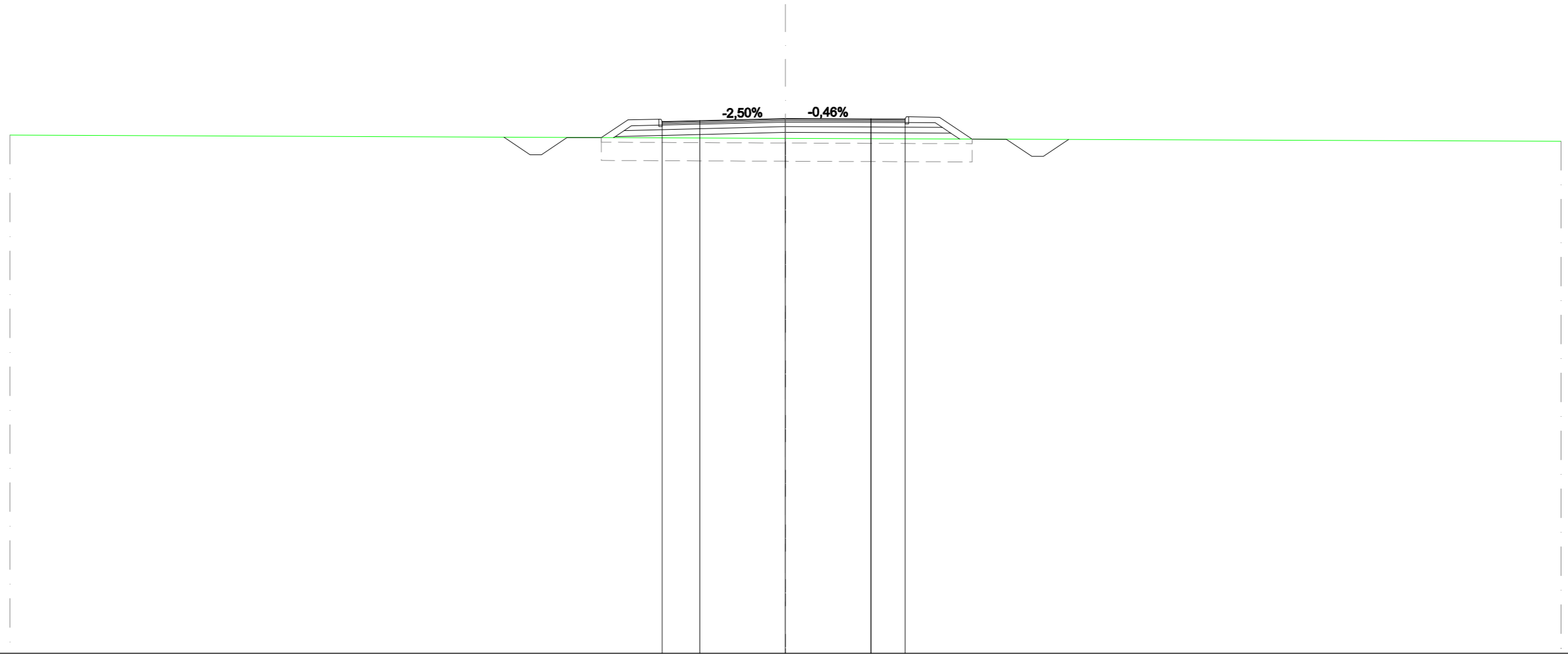


SCALA 1:200

QT.RIF. 10,000

QUOTE TERRENO	32,818		32,715		32,820				32,708						32,541
DIST. PARZIALI TERRENO		16,643		5,518		11,839				34,000					
DIST. PROGR. TERRENO	-34,000		-17,357		-11,839				0,000						-34,000
QUOTE STRATO SUP.					32,809 32,785				33,557		33,634		33,444 33,564 33,764		32,659 31,909 32,646
DIST. PARZIALI STRATO SUP.					1,119 0,500 1,119				1,500		1,500		1,350 1,605		1,119 0,500 1,088
DIST. PROGR. STRATO SUP.					-12,421 -12,366 -11,266 -10,766				-3,750		-3,750		5,250 5,300 5,400 6,750		-8,355 -9,855 -10,974 -11,474 -12,574

SEZIONE N.: 467  
 QT. PROGETTO: 33,455  
 DIST. PROG.: 10175,000  
 DIST. PREC.: 25,000  
 DIST. SUCC.: 25,000



SCALA 1:200

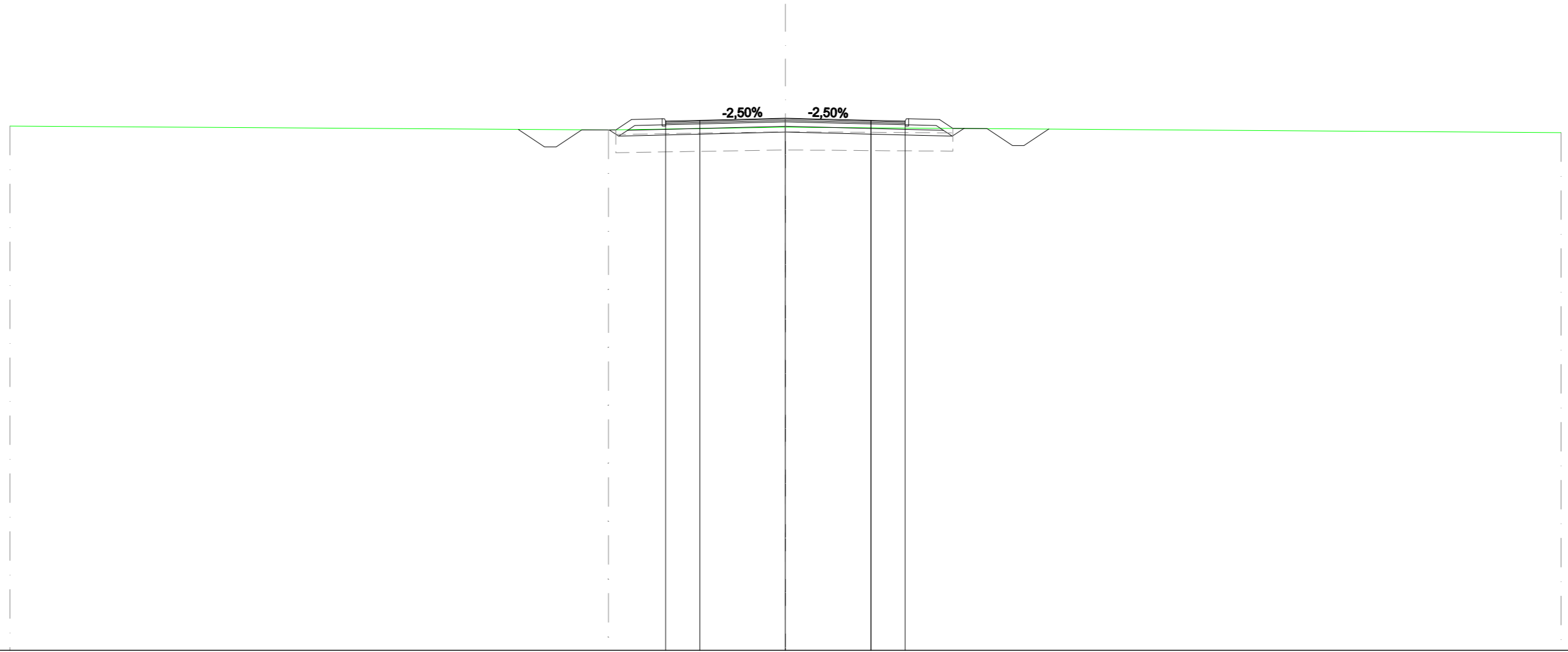
QT.RIF. 10,000

QUOTE TERRENO		32,721					32,576				32,450														
DIST. PARZIALI TERRENO			34,000					34,000																	
DIST. PROGR. TERRENO		-34,000					0,000				-34,000														
QUOTE STRATO SUP.				32,829	32,611	31,861	32,611	33,393	33,100	33,420	33,520	33,100	33,361	33,455	33,437	33,210	33,430	33,530	33,210	33,530	32,546	32,540	31,790	31,790	32,530
DIST. PARZIALI STRATO SUP.				1,119	0,500	1,119	1,500	1,173	1,350	1,652	3,750	3,750	3,750	1,500	1,350	1,436	1,500	1,119	0,500	1,104					
DIST. PROGR. STRATO SUP.				-12,341	-12,313	-11,194	-10,694	-9,575	-8,075	-6,902	-5,552	-3,452	-3,402	-3,750	0,000	-3,750	5,250	5,300	5,400	6,750	8,186	9,686	10,805	11,305	12,409





SEZIONE N.: 469  
 QT. PROGETTO: 33,335  
 DIST.PROG.: 10225,000  
 DIST.PREC.: 25,000  
 DIST.SUCC.: 25,000



SCALA 1:200

QT.RIF. 10,000

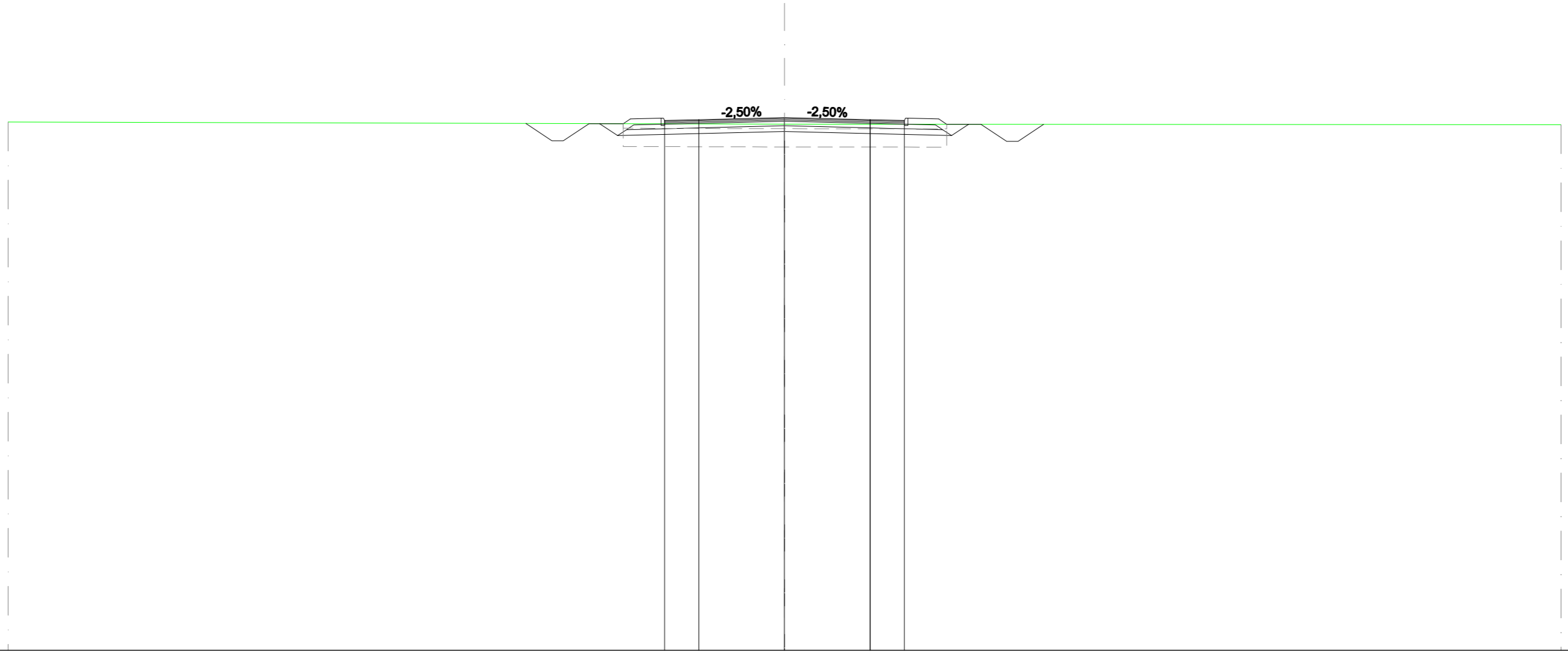
QUOTE TERRENO	32,987		32,813		32,938		32,701
DIST. PARZIALI TERRENO		26,241		7,759		34,000	
DIST. PROGR. TERRENO	-34,000		-7,759		0,000		-34,000
QUOTE STRATO SUP.							
DIST. PARZIALI STRATO SUP.							
DIST. PROGR. STRATO SUP.							

32,840  
 32,819  
 32,069  
 32,069  
 32,819  
 32,819  
 33,277  
 32,984  
 33,304  
 33,304  
 33,204  
 32,984  
 33,241  
 33,335  
 33,241  
 32,984  
 33,204  
 33,304  
 32,984  
 33,304  
 33,277  
 32,887  
 32,877  
 32,127  
 32,127  
 32,858

1,119  
 0,500  
 1,119  
 1,500  
 0,687  
 1,350  
 1,500  
 3,750  
 3,750  
 1,500  
 1,350  
 0,584  
 1,500  
 1,119  
 0,500  
 1,091

-11,707  
 -11,676  
 -10,556  
 -10,056  
 -8,937  
 -7,437  
 -6,750  
 -5,400  
 -5,300  
 -5,250  
 -3,750  
 0,000  
 -3,750  
 5,250  
 5,300  
 5,400  
 6,750  
 7,334  
 8,834  
 9,954  
 10,454  
 11,545

SEZIONE N.: 470  
 QT. PROGETTO: 33,318  
 DIST. PROG.: 10250,000  
 DIST. PREC.: 25,000  
 DIST. SUCC.: 25,000

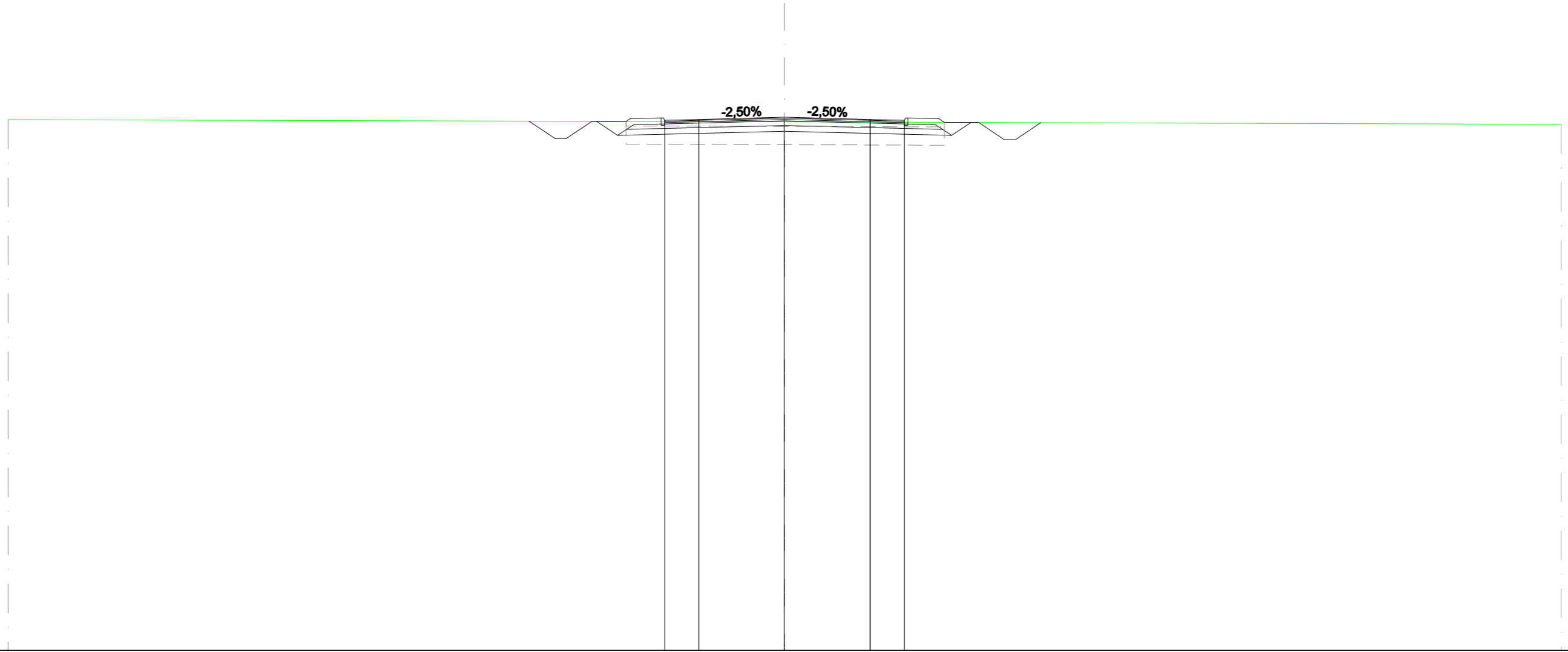


SCALA 1:200

QT.RIF. 10,000

QUOTE TERRENO	33,121				33,030					32,999	
DIST. PARZIALI TERRENO			34,000				34,000				
DIST. PROGR. TERRENO	-34,000				0,000					-34,000	
QUOTE STRATO SUP.				33,060 33,049 32,299 32,299 33,049				33,318		33,224 32,967 33,187 33,287 32,967 33,260 33,024 33,022	
DIST. PARZIALI STRATO SUP.				1,119 0,500 1,119 1,500				3,750		3,750 1,500 1,350 1,500 1,119	
DIST. PROGR. STRATO SUP.				-11,322 -11,304 -10,185 -9,685 -8,566				0,000		-3,750 5,250 5,300 5,400 6,750 7,104 8,604	
				-7,066 -6,750 -5,400 -5,250 -3,750						-9,723 -10,223 -11,339	

SEZIONE N.: 471  
 QT. PROGETTO: 33,329  
 DIST.PROG.: 10275,000  
 DIST.PREC.: 25,000  
 DIST.SUCC.: 25,000



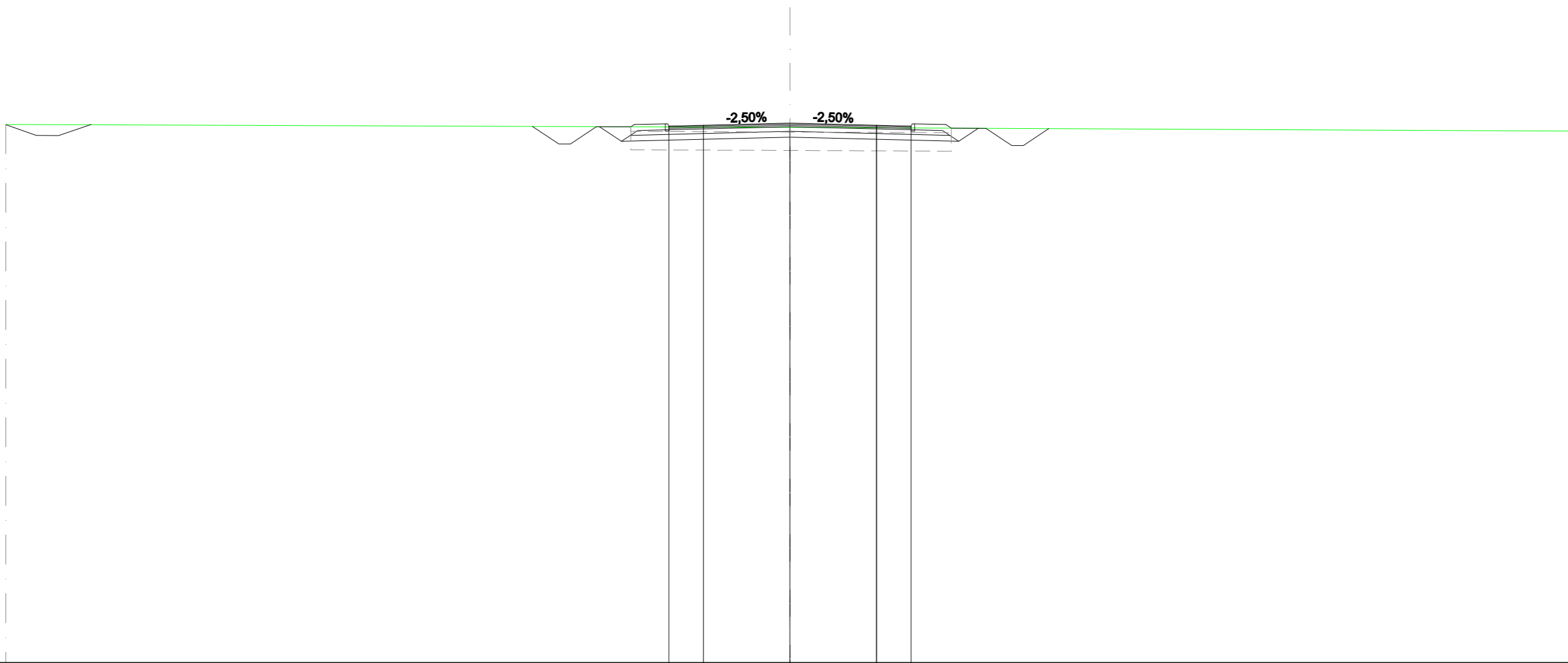
SCALA 1:200

QT.RIF. 10,000

QUOTE TERRENO	33,223	33,128	33,021
DIST. PARZIALI TERRENO	34,000	34,000	
DIST. PROGR. TERRENO	-34,000	0,000	-34,000
QUOTE STRATO SUP.		33,329	33,235
DIST. PARZIALI STRATO SUP.		3,750	3,750
DIST. PROGR. STRATO SUP.		0,000	-3,750

33,160	33,148	32,998	32,998	33,148	33,148	33,148	32,978	33,298	33,298	33,198	32,978	33,235	33,329	33,235	32,978	33,198	33,298	33,298	33,271	33,106	33,102	32,352	32,352	33,093
	1,119	0,500	1,119	1,500	1,350	1,500	1,500	3,750	3,750	1,500	1,350	1,500	1,119	0,500	1,107									
-11,191	-11,173	-10,054	-9,554	-8,434	-6,934	-6,750	-5,400	-5,300	-5,250	-3,750						5,250	5,300	5,400	6,750	6,996	8,496	9,616	10,116	11,222

SEZIONE N.: 472  
 QT. PROGETTO: 33,368  
 DIST.PROG.: 10300,000  
 DIST.PREC.: 25,000  
 DIST.SUCC.: 29,751



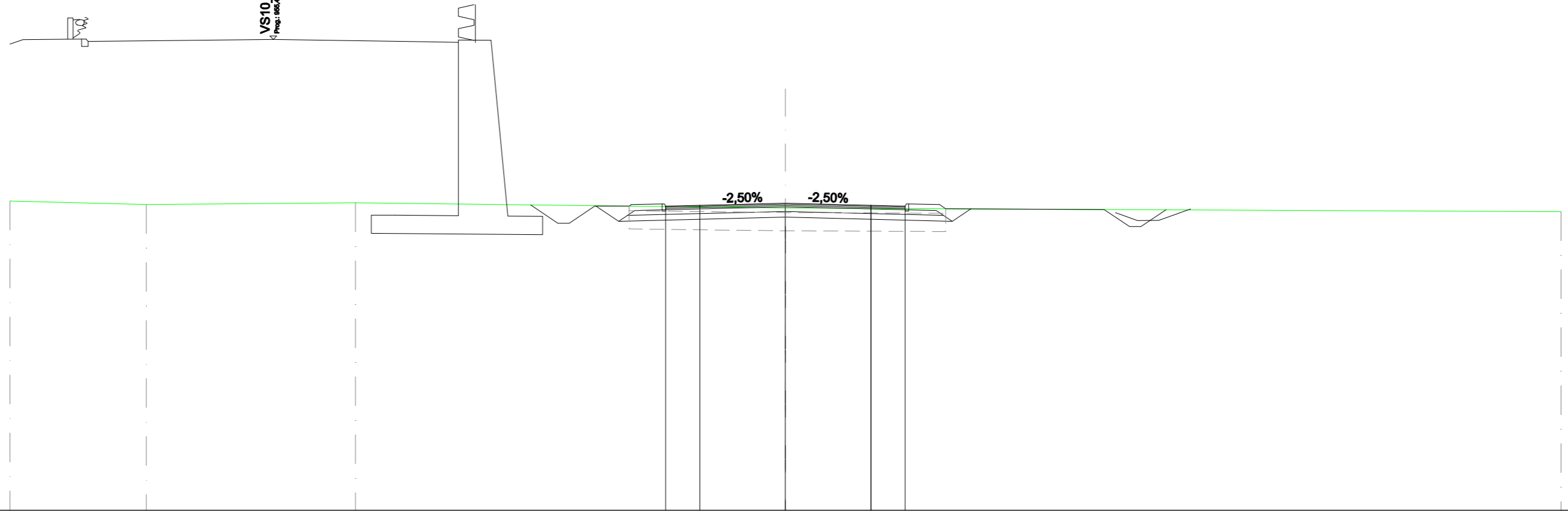
SCALA 1:200

QT.RIF. 10,000

QUOTE TERRENO	33,311				33,182						33,021
DIST. PARZIALI TERRENO		34,000				34,000					
DIST. PROGR. TERRENO	-34,000				0,000						-34,000
QUOTE STRATO SUP.				33,224 33,208 32,458 32,458 33,208			33,368		33,275		33,017 33,237 33,337 33,017 33,337 33,310 33,149 33,142
DIST. PARZIALI STRATO SUP.				1,119 0,500 1,119 1,500			3,750		3,750		1,350 1,500 1,119 0,500 1,100
DIST. PROGR. STRATO SUP.				-11,167 -11,142 -10,023 -9,523 -8,403			0,000		-3,750		5,250 5,300 5,400 6,750 6,992 -8,492 9,612 10,112 -11,212

SEZIONE N.: 473  
 QT. PROGETTO: 33,453  
 DIST. PROG.: 10329,751  
 DIST. PREC.: 29,751  
 DIST. SUCC.: 0,010

VS10\_6 - Via Ca Bassa Nuova  
Prog.: 10329,751 - Quota: 40,020



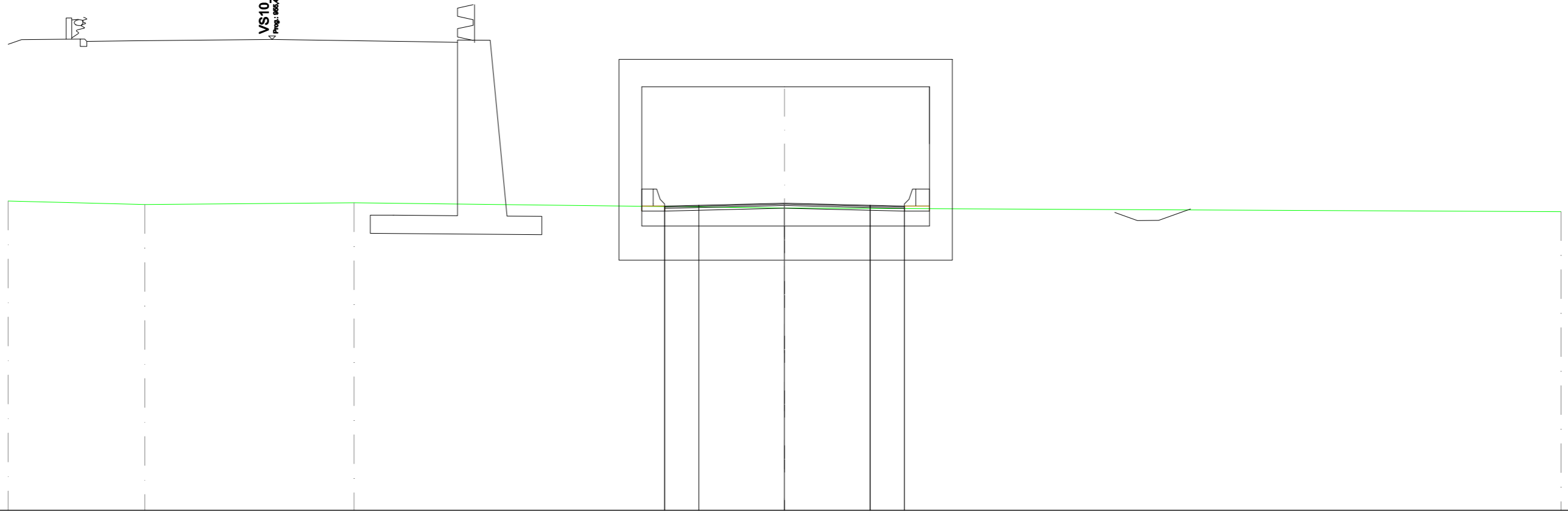
SCALA 1:200

QT.RIF. 20,000

QUOTE TERRENO	33,547	33,396	33,468	33,242	33,080										
DIST. PARZIALI TERRENO	5,984	9,170	18,846	34,000											
DIST. PROG. TERRENO	-34,000	-28,016	-18,846	0,000	-34,000										
QUOTE STRATO SUP.				33,453	33,359	33,101	33,221	33,101	33,421	33,394	33,208	33,175	32,425	32,425	33,162
DIST. PARZIALI STRATO SUP.				3,750	3,750	1,500	1,350	6,937	1,119	0,500	1,100				
DIST. PROG. STRATO SUP.				0,000	0,000	-3,750	5,250	5,300	5,400	6,750	7,029	-13,966	-15,086	-15,586	-16,686

SEZIONE N.: 474  
 QT. PROGETTO: 33,453  
 DIST.PROG.: 10329,761  
 DIST.PREC.: 0,010  
 DIST.SUCC.: 30,260

VS10\_6 - Via Ca Bassa Nuova  
Prog.: 10329,761 - Quota: 0,020



SCALA 1:200

QT.RIF. 20,000

QUOTE TERRENO	33,547	33,396	33,468	33,242	33,080
DIST. PARZIALI TERRENO	5,992	9,162	18,847	34,000	
DIST. PROGR. TERRENO	-34,000	-28,008	-18,847	0,000	-34,000
QUOTE STRATO SUP.				33,453	
DIST. PARZIALI STRATO SUP.				3,750	
DIST. PROGR. STRATO SUP.				0,000	

SEZIONE N.: 475  
 QT. PROGETTO: 33,569  
 DIST.PROG.: 10360,021  
 DIST.PREC.: 30,260  
 DIST.SUCC.: 0,010

VS10 6 - Via Ca Bassa Nuova  
 Proj. 103249 - Cassa 4021

SCALA 1:200

QT.RIF. 20,000

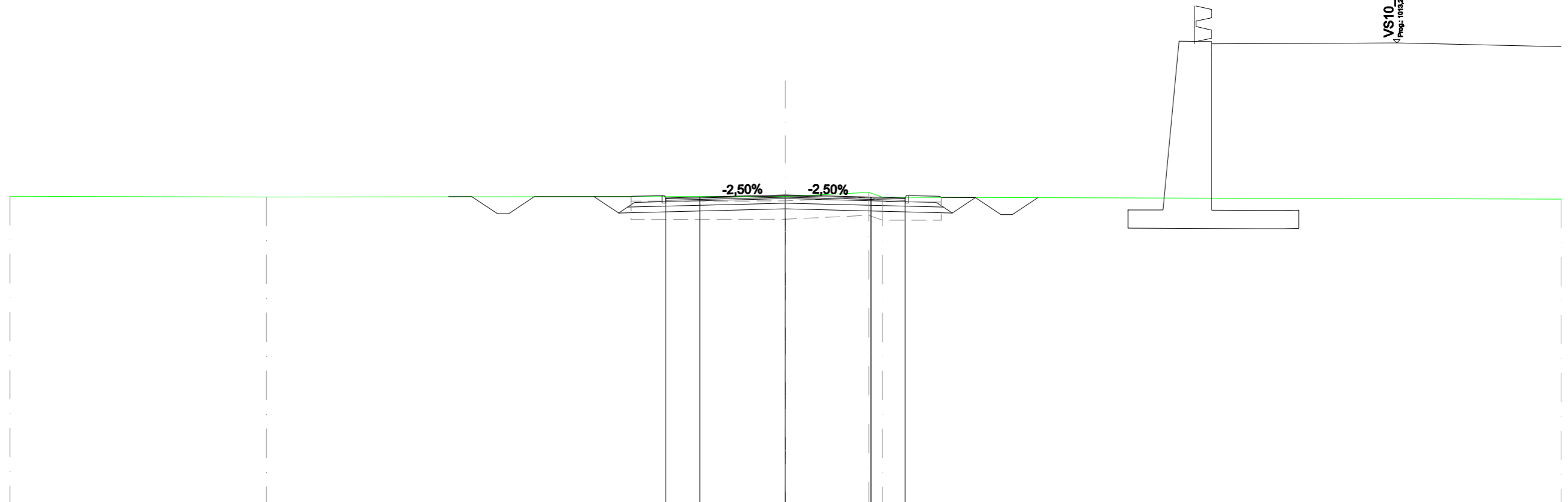
QUOTE TERRENO	33,511	33,474	33,507	33,677	33,465	33,387
DIST. PARZIALI TERRENO	11,245	22,755	3,640	0,601	29,759	
DIST. PROGR. TERRENO	-34,000	-22,755	0,000	3,640	4,241	-34,000
QUOTE STRATO SUP.			33,398 33,438 33,475	33,569	33,475	33,398 33,438
DIST. PARZIALI STRATO SUP.			1,500 3,750	3,750	1,500	
DIST. PROGR. STRATO SUP.			-5,250 -3,750	0,000	3,750	-5,250



SEZIONE N.: 476  
 QT. PROGETTO: 33,569  
 DIST.PROG.: 10360,031  
 DIST.PREC.: 0,010  
 DIST.SUCC.: 14,969

SCALA 1:200

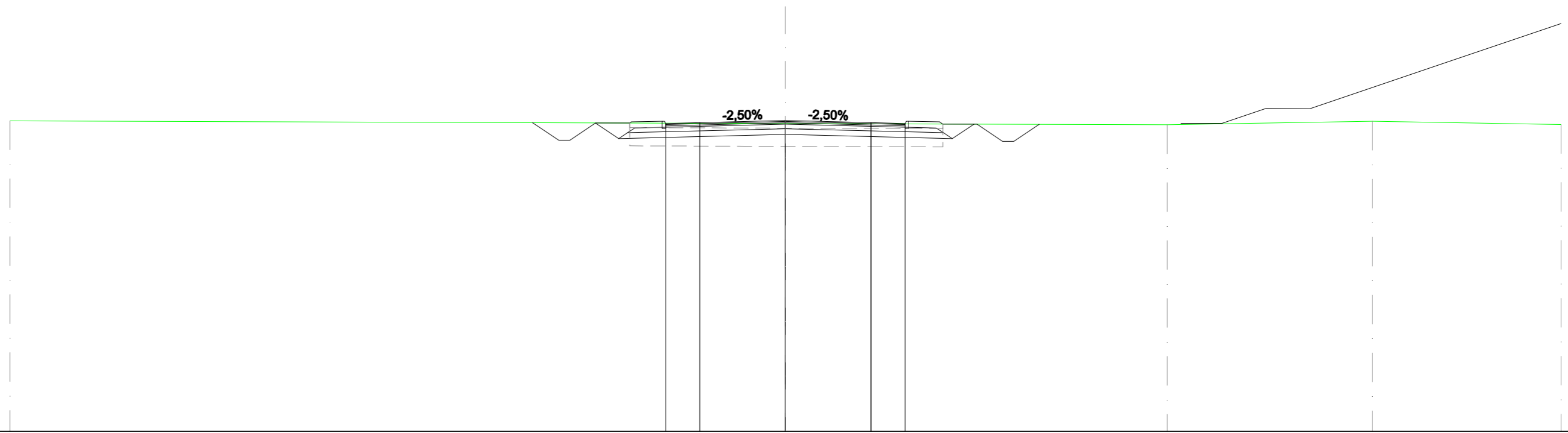
QT.RIF. 20,000



VS10\_6 - via Ca Bassa Nuova  
 Proj.: 10360 - Quad. 4021

QUOTE TERRENO	33,511	33,474	33,507	33,677	33,465	33,387
DIST. PARZIALI TERRENO	11,248	22,752	3,653	0,801	29,746	
DIST. PROGR. TERRENO	-34,000	-22,752	0,000	3,653	4,254	-34,000
QUOTE STRATO SUP.			33,497	33,511	33,475	33,218
DIST. PARZIALI STRATO SUP.			1,000	1,119	1,500	1,350
DIST. PROGR. STRATO SUP.			-6,771	-6,750	-3,750	5,250

SEZIONE N.: 477  
 QT. PROGETTO: 33,628  
 DIST.PROG.: 10375,000  
 DIST.PREC.: 14,969  
 DIST.SUCC.: 25,000

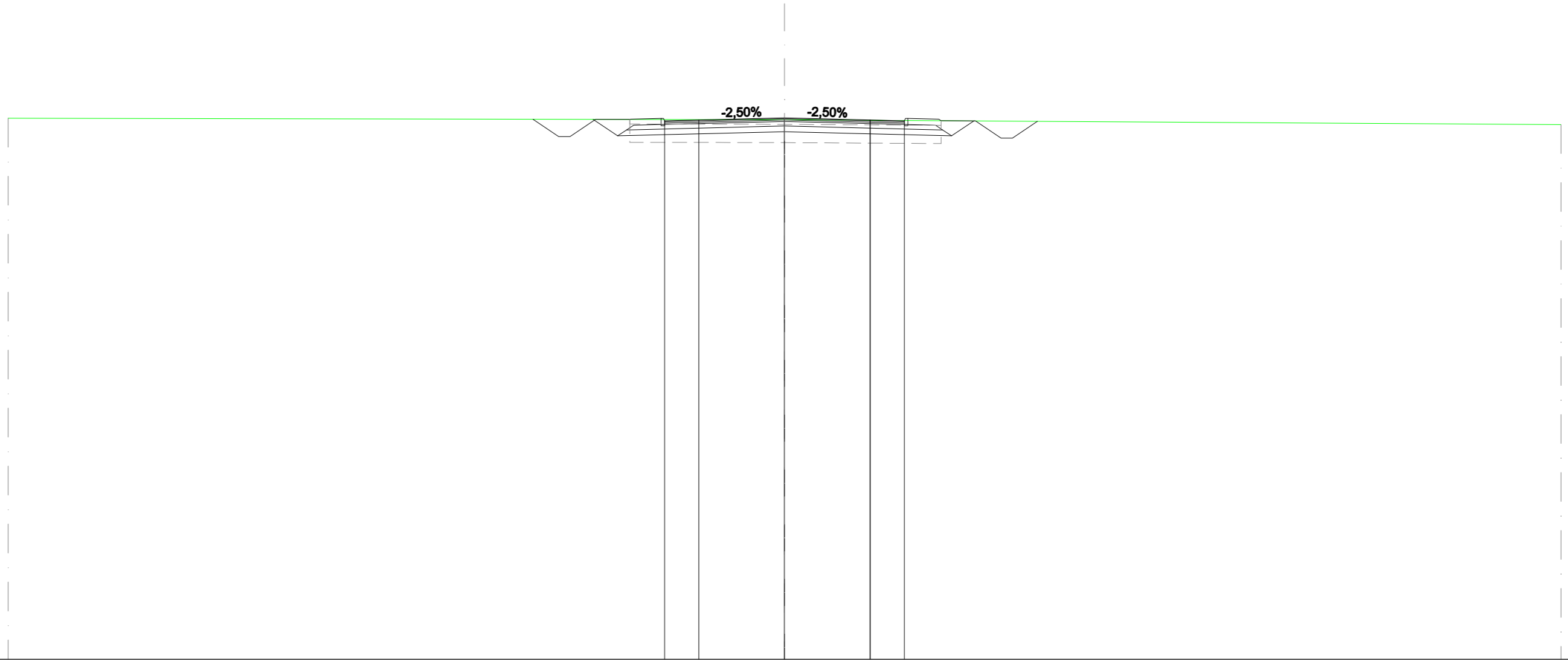


SCALA 1:200

QT.RIF. 20,000

QUOTE TERRENO	33,616					33,494					33,443			33,599			33,450									
DIST. PARZIALI TERRENO		34,000					16,732				9,005			8,263												
DIST. PROGR. TERRENO	-34,000					0,000					-16,732			-25,737			-34,000									
QUOTE STRATO SUP.				33,534	33,518	32,768	33,518	33,518	33,570	33,277	33,597	33,497	33,277	33,597	33,570	33,473	33,468	32,718	32,718	33,460						
DIST. PARZIALI STRATO SUP.				1,119	0,500	1,119	1,500	1,350	1,500	3,750	3,750	1,500	1,350	1,500	1,119	0,500	1,107									
DIST. PROGR. STRATO SUP.				-11,089	-11,066	-9,946	-8,446	-8,327	-6,927	-6,750	-5,400	-5,300	-6,250	-3,750	0,000	3,750	3,750	5,250	5,300	5,400	6,750	6,895	8,395	9,514	10,014	11,121

SEZIONE N.: 478  
 QT. PROGETTO: 33,726  
 DIST.PROG.: 10400,000  
 DIST.PREC.: 25,000  
 DIST.SUCC.: 25,000



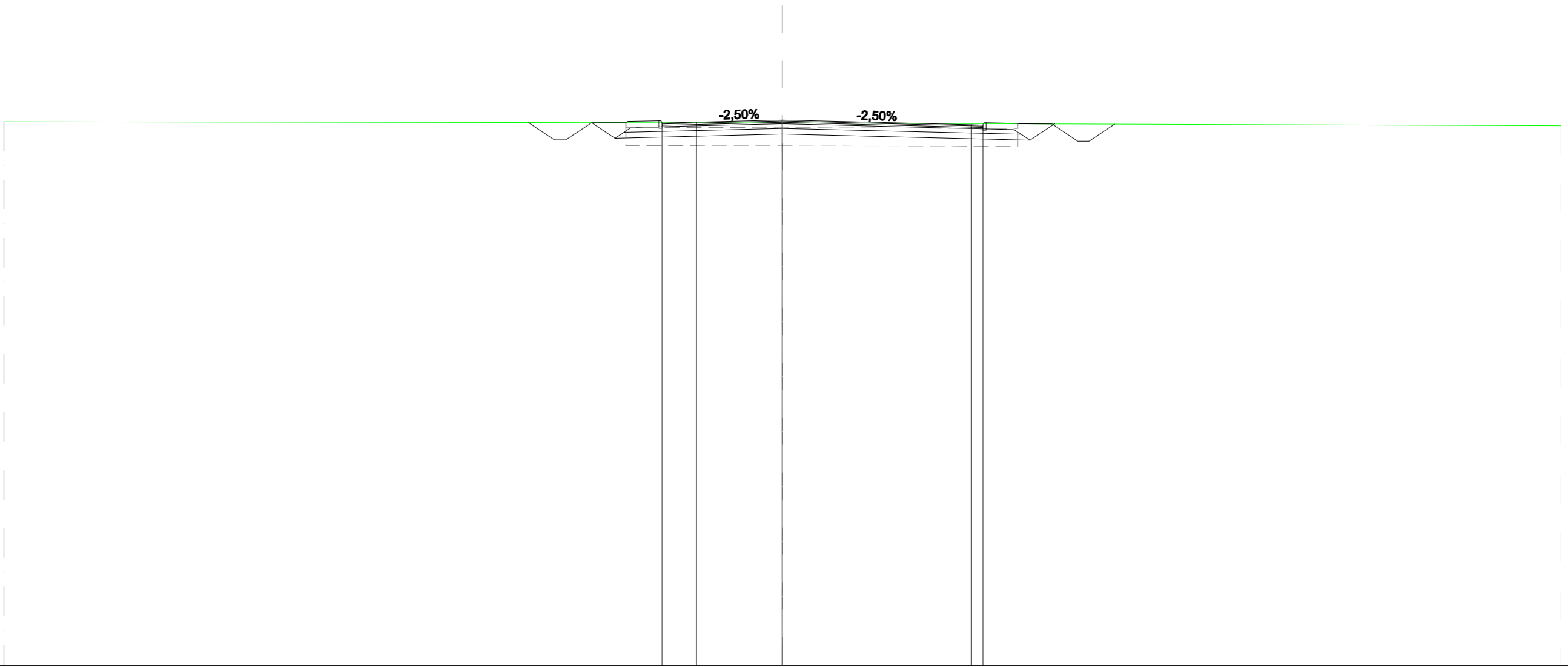
SCALA 1:200

QT.RIF. 10,000

QUOTE TERRENO	33,706		33,638		33,426
DIST. PARZIALI TERRENO		34,000		34,000	
DIST. PROGR. TERRENO	-34,000		0,000		-34,000
QUOTE STRATO SUP.			33,726		33,632
DIST. PARZIALI STRATO SUP.			3,750		3,750
DIST. PROGR. STRATO SUP.			0,000		-3,750

33,660  
 33,651  
 32,901  
 32,901  
 33,651  
 33,651  
 33,667  
 33,374  
 33,694  
 33,694  
 33,594  
 33,374  
 33,632  
 33,726  
 33,632  
 33,374  
 33,594  
 33,694  
 33,374  
 33,694  
 33,667  
 33,595  
 33,596  
 32,836  
 32,836  
 33,569  
 1,119  
 0,500  
 1,094  
 1,500  
 1,350  
 1,500  
 3,750  
 3,750  
 1,500  
 1,350  
 1,500  
 1,119  
 0,500  
 1,094  
 -11,026  
 -11,013  
 -9,894  
 -9,394  
 -8,274  
 -6,774  
 -6,750  
 -5,400  
 -5,300  
 -5,250  
 -3,750  
 0,000  
 -3,750  
 5,250  
 5,300  
 5,400  
 6,750  
 6,859  
 8,359  
 9,478  
 9,978  
 -11,072

SEZIONE N.: 479  
 QT. PROGETTO: 33,824  
 DIST. PROG.: 10425,000  
 DIST. PREC.: 25,000  
 DIST. SUCC.: 25,000

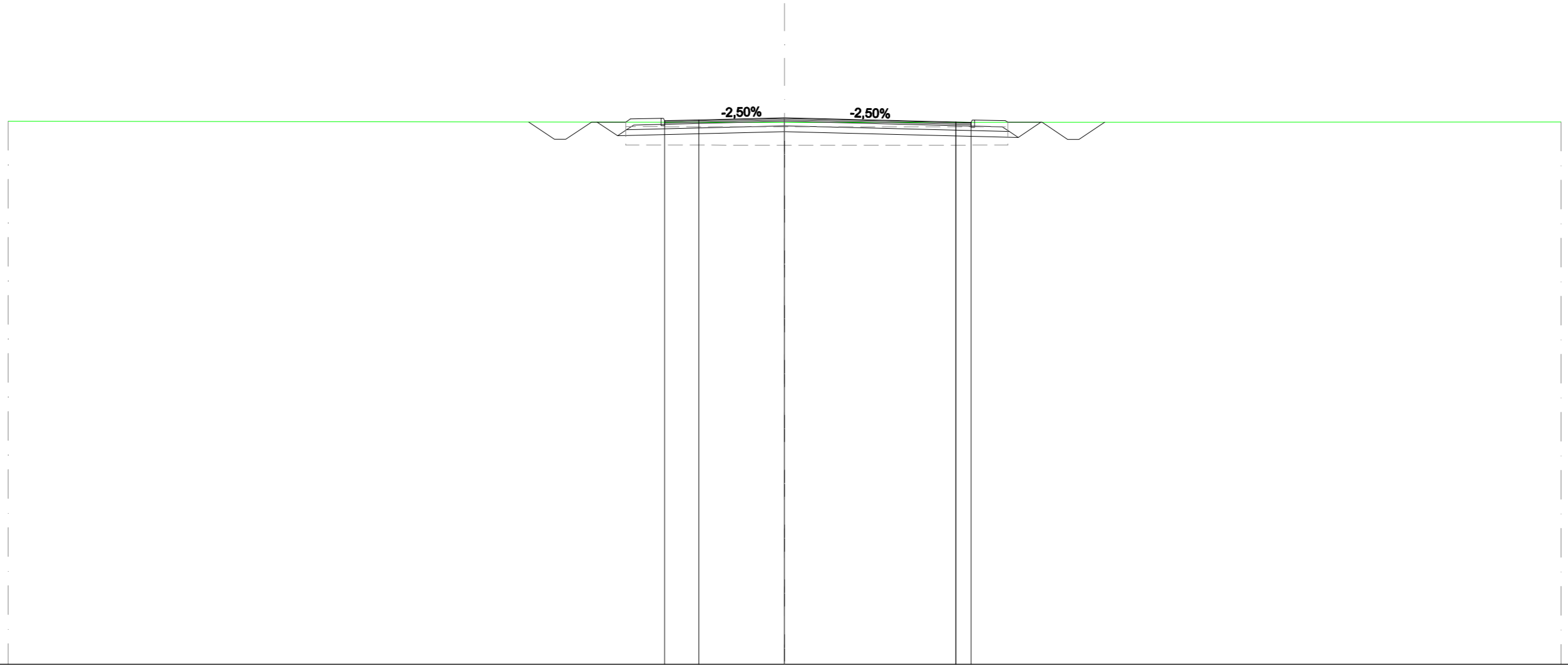


SCALA 1:200

QT.RIF. 10,000

QUOTE TERRENO		33,750				33,696					33,576
DIST. PARZIALI TERRENO			34,000				34,000				
DIST. PROGR. TERRENO		-34,000				0,000					-34,000
QUOTE STRATO SUP.				33,714 33,707 32,957 32,957 33,707		33,707 33,765 33,472 33,792 33,692 33,472 33,730		33,824		33,617 33,385 33,805 33,705 33,385 33,705 33,660 33,655 32,905 32,905	33,646
DIST. PARZIALI STRATO SUP.				1,119 0,500 1,119 1,500		1,350 1,500 3,750		8,250		0,500 1,350 1,500 1,119 0,500 1,105	
DIST. PROGR. STRATO SUP.				-11,087 -11,076 -9,957 -8,457 -8,338		-6,938 -6,750 -5,400 -5,300 -5,250 -3,750		0,000		8,250 8,750 8,900 10,250 10,276 -11,776 -12,896 -13,386 -14,501	

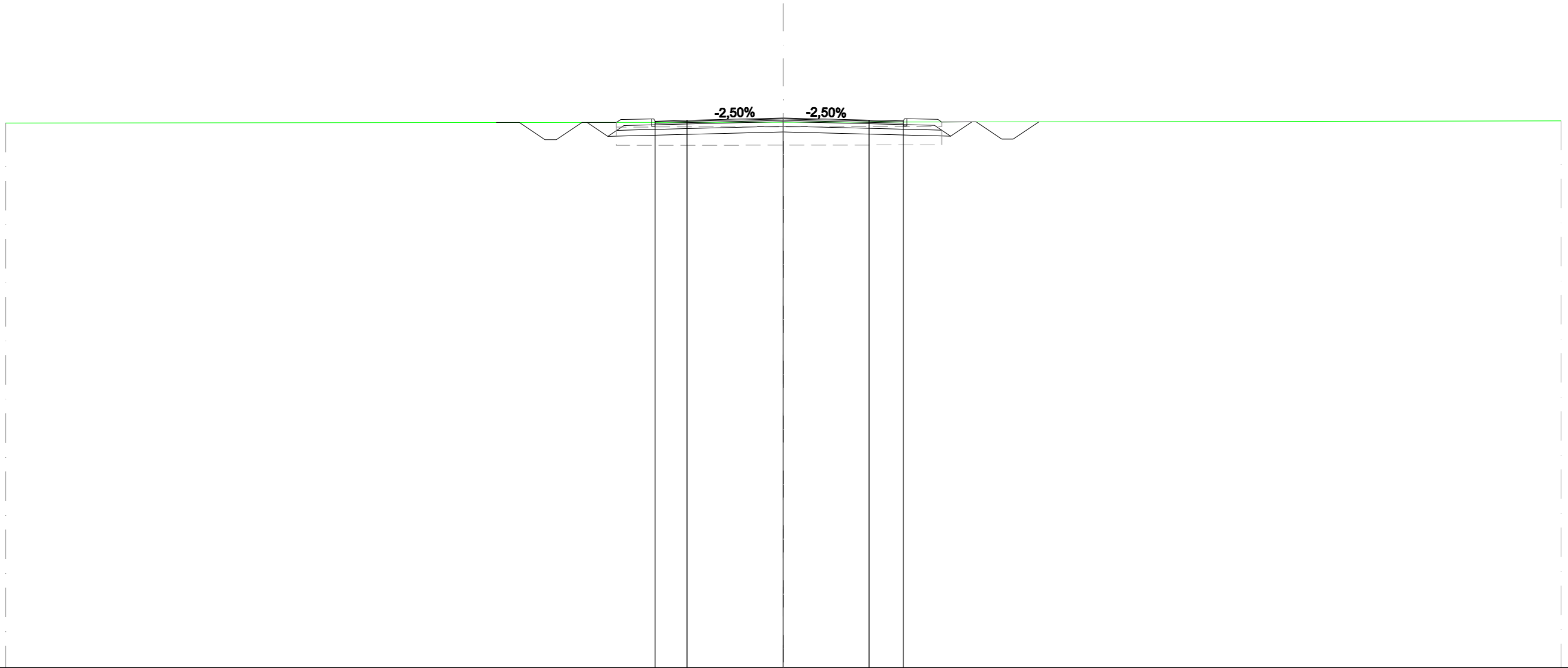
SEZIONE N.: 480  
 QT. PROGETTO: 33,921  
 DIST. PROG.: 10450,000  
 DIST. PREC.: 25,000  
 DIST. SUCC.: 25,000



SCALA 1:200

QT.RIF. 10,000

QUOTE TERRENO	33,768					33,715					33,732
DIST. PARZIALI TERRENO			34,000								34,000
DIST. PROGR. TERRENO	-34,000					0,000					-34,000
QUOTE STRATO SUP.				33,732 33,726 32,976 32,976 33,726 33,726 33,663 33,570 33,890 33,790 33,570 33,828		33,921				33,734 33,497 33,717 33,817 33,497 33,817 33,700 33,720 33,721 32,971 32,971 33,722	
DIST. PARZIALI STRATO SUP.				1,119 0,500 1,119 1,500 1,350 1,500 3,750		3,750		7,503		0,666 1,360 1,500 1,119 0,500 1,121	
DIST. PROGR. STRATO SUP.				-11,204 -11,194 -10,075 -9,575 -8,456 -6,956 -6,750 -5,400 -5,250 -3,750		0,000				7,503 8,169 8,319 9,669 9,774 11,274 12,394 12,884 14,015	



SCALA 1:200

QT.RIF. 10,000

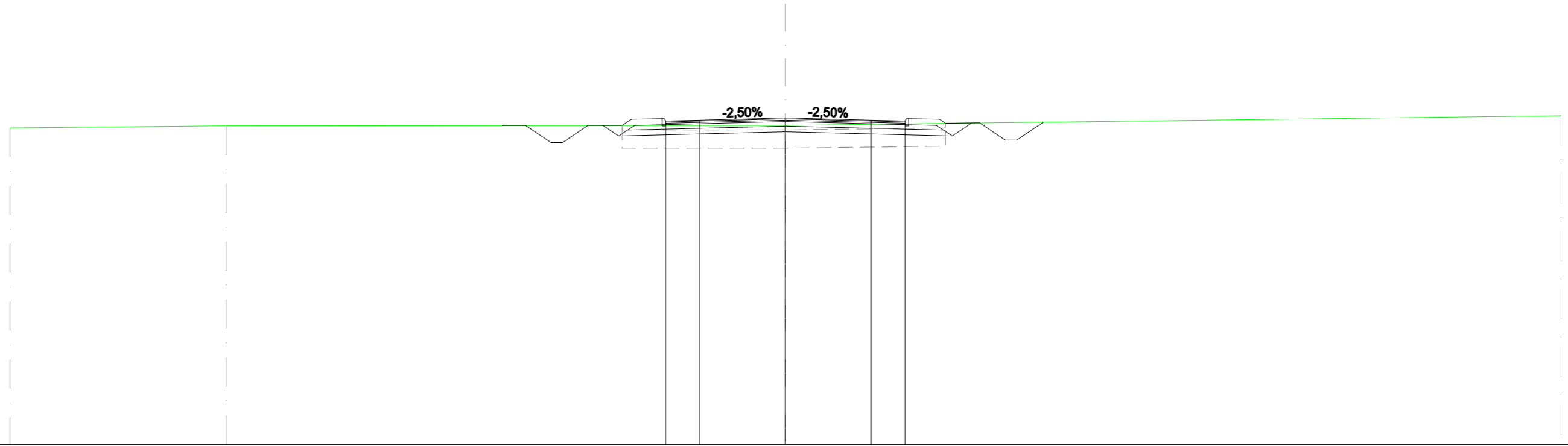
QUOTE TERRENO		33,796							33,831					33,891												
DIST. PARZIALI TERRENO			34,000							34,000																
DIST. PROGR. TERRENO		-34,000							0,000					-34,000												
QUOTE STRATO SUP.				33,818	33,823	33,823	33,823	33,823	34,019	33,926	33,868	33,868	33,868	33,868	33,861	33,843	33,846	33,096	33,096	33,851						
DIST. PARZIALI STRATO SUP.				1,000	1,119	0,500	1,119	1,500	4,213	3,750	1,500	1,360	1,500	1,500	1,119	0,500	1,127									
DIST. PROGR. STRATO SUP.				-12,550	-12,542	-11,542	-10,422	-9,922	-8,803	-7,303	-7,110	-5,760	-5,660	-5,610	-4,213	0,000	3,750	5,250	5,300	5,400	6,750	6,926	8,426	9,546	10,046	11,173







SEZIONE N.: 484  
 QT. PROGETTO: 34,321  
 DIST.PROG.: 10550,000  
 DIST.PREC.: 25,000  
 DIST.SUCC.: 25,000

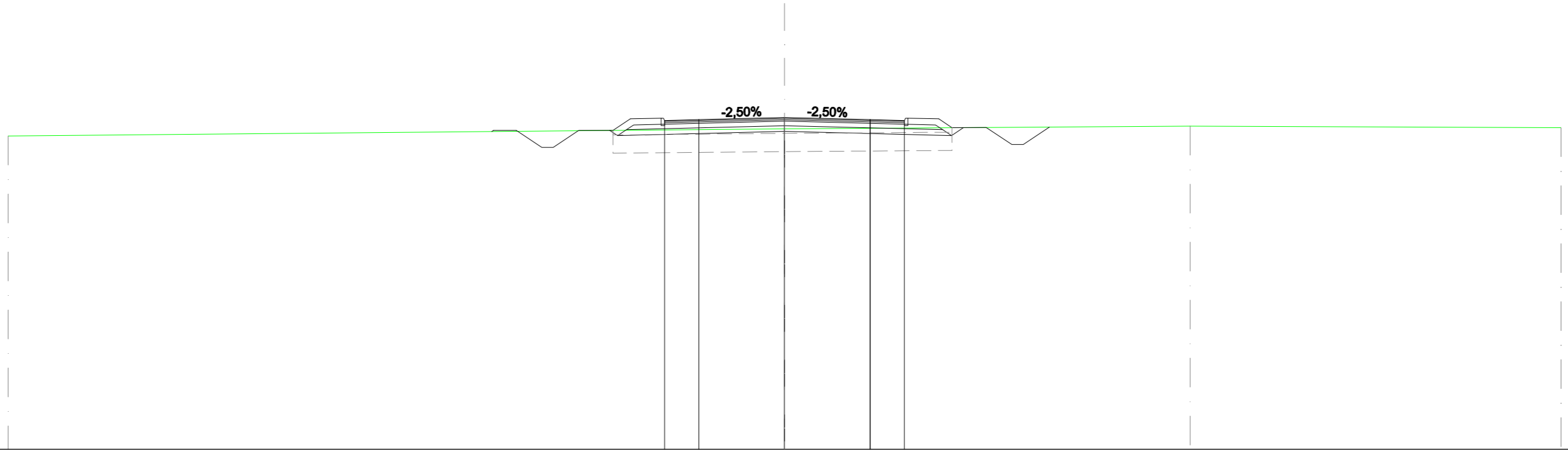


SCALA 1:200

QT.RIF. 20,000

QUOTE TERRENO	33,882	33,979	33,997	34,418
DIST. PARZIALI TERRENO	9,477	24,523	34,000	
DIST. PROGR. TERRENO	-34,000	-24,523	0,000	-34,000
QUOTE STRATO SUP.		33,988 33,992 33,992	33,242 33,242 33,992	33,992 33,992 34,263
DIST. PARZIALI STRATO SUP.		1,000 1,119 0,500 1,119 1,500	1,350 1,500 3,750	3,750 3,750 1,500
DIST. PROGR. STRATO SUP.		-12,400 -12,394 -11,394	-10,275 -9,775 -8,656	-7,156 -6,750 -5,400 -5,300 -5,250 -3,750
		33,970 34,190 34,290 33,970 34,290 34,263 34,084 34,103	34,321 34,227	33,970 34,190 34,290 33,970 34,290 34,263 34,084 34,103
		1,119 0,500 1,171	33,353 33,353	34,137
		11,308		

SEZIONE N.: 485  
 QT. PROGETTO: 34,535  
 DIST.PROG.: 10575,000  
 DIST.PREC.: 25,000  
 DIST.SUCC.: 25,000



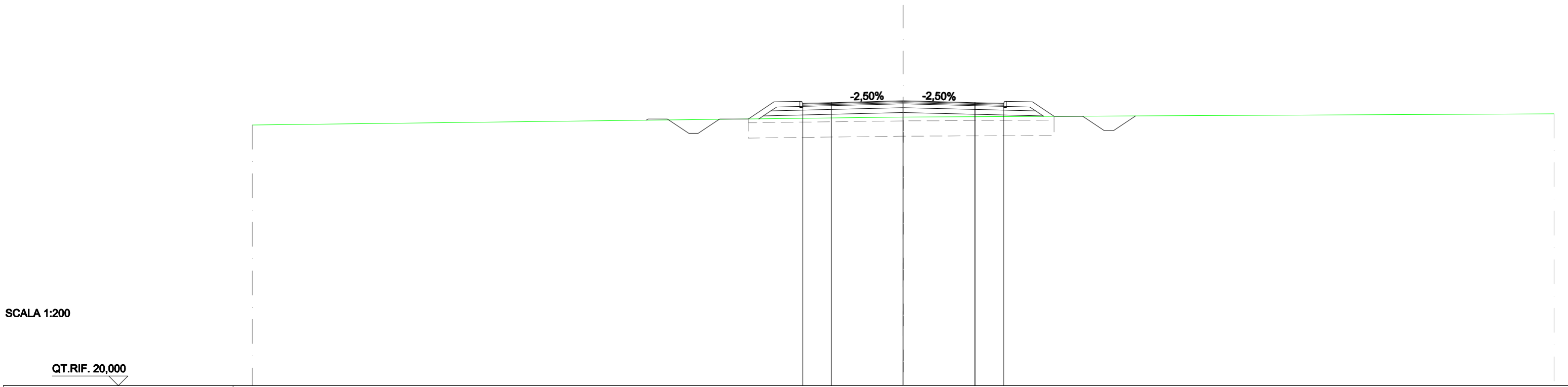
SCALA 1:200

QT.RIF. 20,000

QUOTE TERRENO	-33,725								34,040								34,157						34,091				
DIST. PARZIALI TERRENO			34,000										17,759						16,241								
DIST. Progr. TERRENO	-34,000								0,000								17,759						34,000				
QUOTE STRATO SUP.									34,535				34,441														
DIST. PARZIALI STRATO SUP.					1,000	1,119	0,500	1,119	1,500	0,759	1,350	1,500	3,750		3,750	1,500											
DIST. Progr. STRATO SUP.		-12,822	-12,746	-11,748	-10,628	-10,128	-9,009	-7,509	-6,750	-5,400	-5,300	-5,250	-3,750		0,000		-3,750		5,250	5,300	5,400	6,750	7,332	8,832	9,951	10,451	11,598

SCALA 1:200

QT.RIF. 20,000

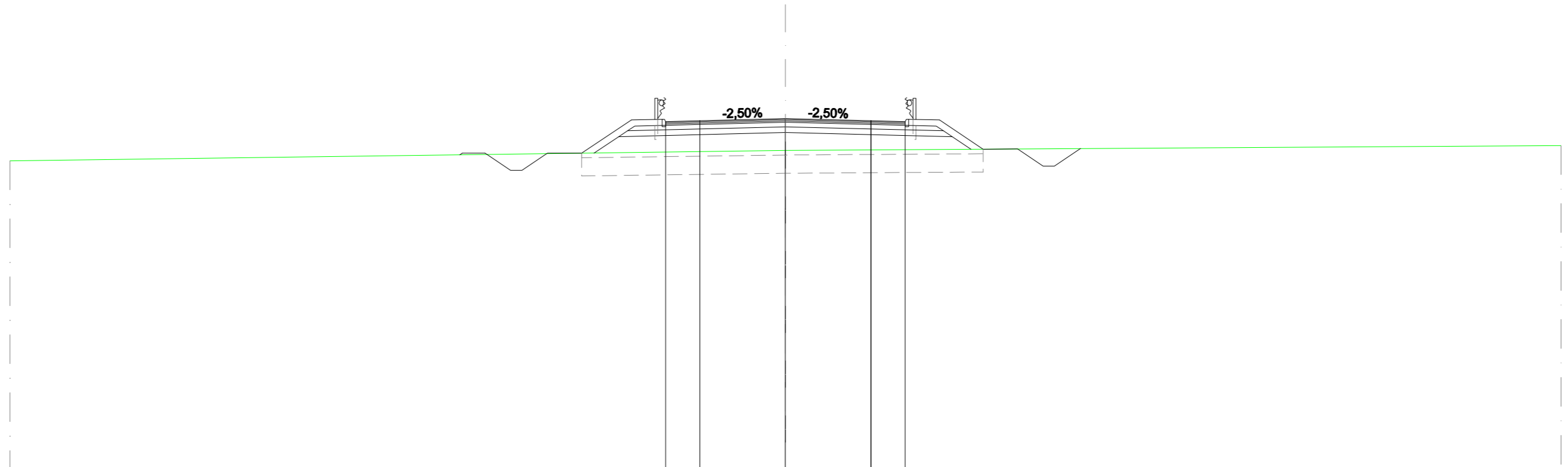


QUOTE TERRENO		33,626													34,036		34,206									
DIST. PARZIALI TERRENO			34,000														34,000									
DIST. PROGR. TERRENO		-34,000													0,000		-34,000									
QUOTE STRATO SUP.				33,874	33,939	33,939		33,189	33,189		33,939		33,939	34,830	34,537	34,857	34,857	34,757	34,537	34,830	34,076	34,083	33,333	33,333	34,097	
DIST. PARZIALI STRATO SUP.				1,000	1,119	0,500	1,119	1,500	1,336	1,350	1,500	3,750	3,750	1,500	1,350	1,130	1,500	1,119	0,500	1,140						
DIST. PROGR. STRATO SUP.				-13,421	-13,325	-12,325	-11,205	-10,705	-9,586	-8,086	-6,750	-5,400	-5,300	-6,250	-3,750	0,000	-3,750	5,250	5,300	5,400	6,750	7,880	9,380	10,500	11,000	12,140

SEZIONE N.: 487  
 QT. PROGETTO: 35,380  
 DIST. PROG.: 10625,000  
 DIST. PREC.: 25,000  
 DIST. SUCC.: 25,000

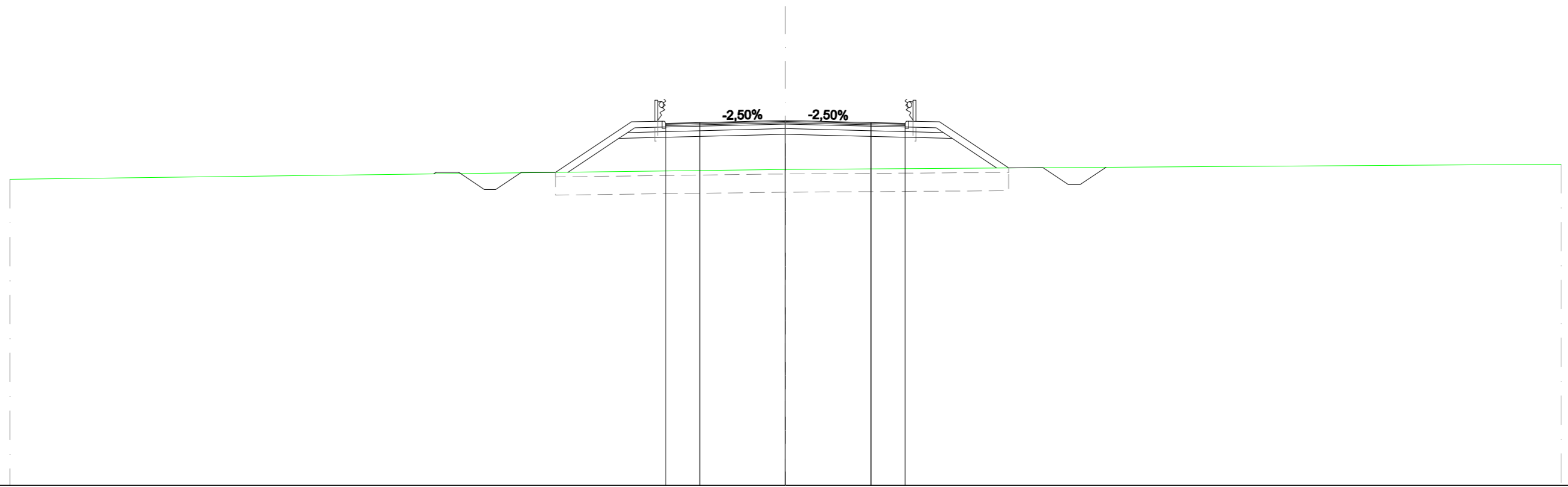
SCALA 1:200

QT.RIF. 20,000



QUOTE TERRENO	33,532				33,985												34,201																																
DIST. PARZIALI TERRENO	34,000						34,000																																										
DIST. Progr. TERRENO	-34,000																0,000	34,000																															
QUOTE STRATO SUP.																	33,795	33,866	33,866	33,116	33,116	33,866	33,866	35,322	35,029	35,349	35,349	35,249	35,029	35,286	35,380	35,286	35,029	35,249	35,349	35,029	35,322	34,040	34,050	33,300	33,300	34,068							
DIST. PARZIALI STRATO SUP.																	1,000	1,119	0,500	1,119	1,500	2,182	1,350	1,500	3,750	3,750	1,500	1,350	1,921	1,500	1,119	0,500	1,146																
DIST. Progr. STRATO SUP.																	-14,277	-14,170	-13,170	-12,051	-11,551	-10,432	-8,932	-6,750	-5,400	-5,300	-6,250	-3,750	0,000	-3,750	5,250	5,300	5,400	6,750	8,671	10,171	11,290	11,790	12,936										

SEZIONE N.: 488  
 QT. PROGETTO: 36,011  
 DIST. PROG.: 10650,000  
 DIST. PREC.: 25,000  
 DIST. SUCC.: 25,000



SCALA 1:200

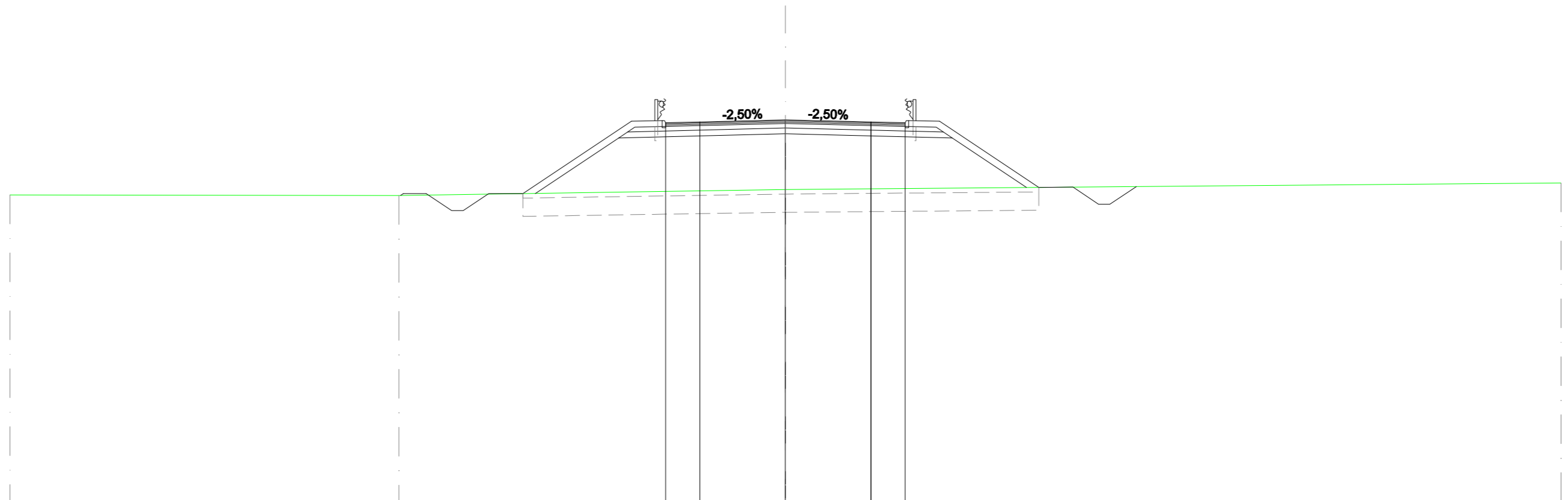
QT.RIF. 20,000

QUOTE TERRENO	33,424											33,861											34,086		
DIST. PARZIALI TERRENO	34,000										34,000														
DIST. PROGR. TERRENO	-34,000											0,000											-34,000		
QUOTE STRATO SUP.		33,663	33,732	33,732	32,982	32,982	33,732	33,732	35,952	35,659	35,979	35,979	35,659	35,917	36,011	35,917	35,659	35,979	35,659	35,952	33,926	33,936	33,186	33,186	33,954
DIST. PARZIALI STRATO SUP.		1,000	1,119	0,500	1,119	1,500	3,329	1,350	1,500	3,750	3,750	1,500	1,350	3,038	1,500	1,119	0,500	1,147							
DIST. PROGR. STRATO SUP.		-15,421	-15,318	-14,318	-13,199	-12,699	-11,579	-10,079	-6,750	-5,400	-5,300	-6,250	-3,750	0,000	-3,750	5,250	5,300	6,750	-9,788	-11,288	-12,407	-12,907	-14,054		

SEZIONE N.: 489  
 QT. PROGETTO: 36,780  
 DIST. PROG.: 10675,000  
 DIST. PREC.: 25,000  
 DIST. SUCC.: 25,000

SCALA 1:200

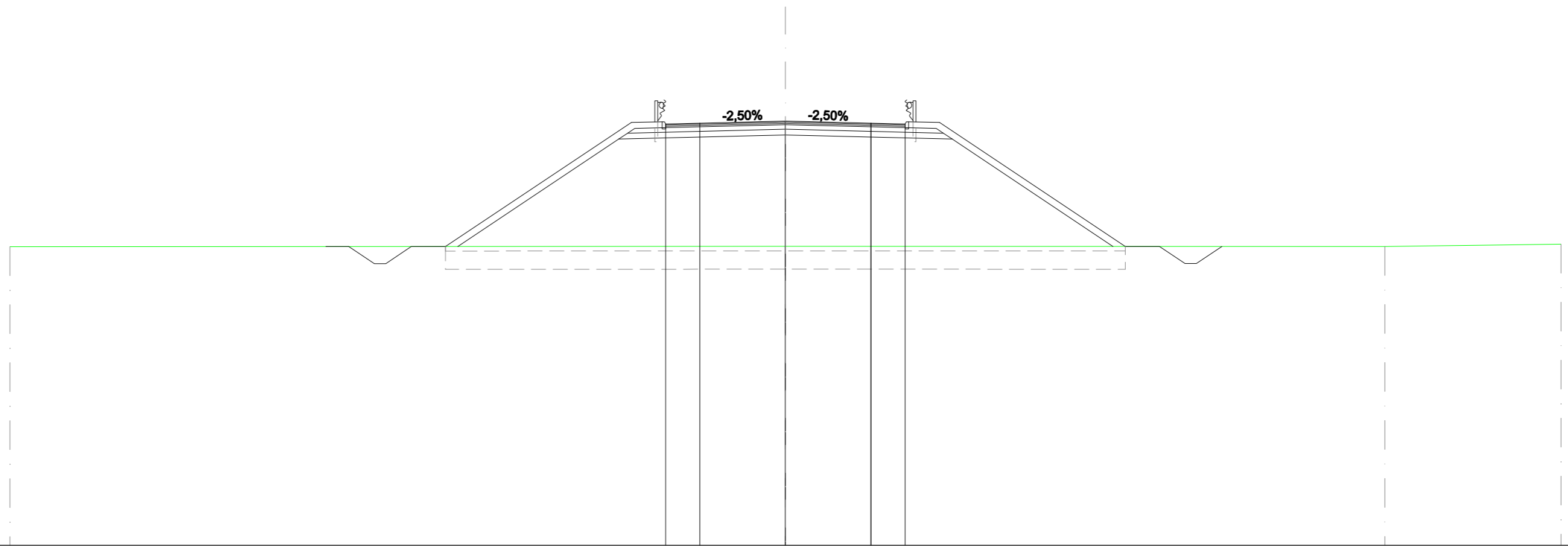
QT.RIF. 20,000



QUOTE TERRENO	33,488		33,464		33,724		34,012				
DIST. PARZIALI TERRENO		17,056		16,944		34,000					
DIST. PROGR. TERRENO	-34,000		-16,944		0,000		-34,000				
QUOTE STRATO SUP.			33,465 33,547 33,547	32,797 32,797	33,547 33,547		36,722 36,429 36,749 36,749 36,649 36,429 36,686	36,780 36,686 36,429 36,549 36,749 36,722	33,818 33,831 33,081 33,081 33,854		
DIST. PARZIALI STRATO SUP.			1,000 1,119 0,500 1,119 1,500	4,759	1,350	1,500	1,350 4,354	1,500 1,119 0,500 1,154			
DIST. PROGR. STRATO SUP.			-16,871 -16,748 -15,748	-14,629 -14,129	-13,009 -11,509		-6,750 -5,400 -5,300 -5,250 -3,750	0,000 -3,750	5,250 5,300 5,400 6,750	-11,104 -12,604 -13,723 -14,223	-15,378



SEZIONE N.: 491  
 QT. PROGETTO: 38,585  
 DIST. PROG.: 10725,000  
 DIST. PREC.: 25,000  
 DIST. SUCC.: 19,254



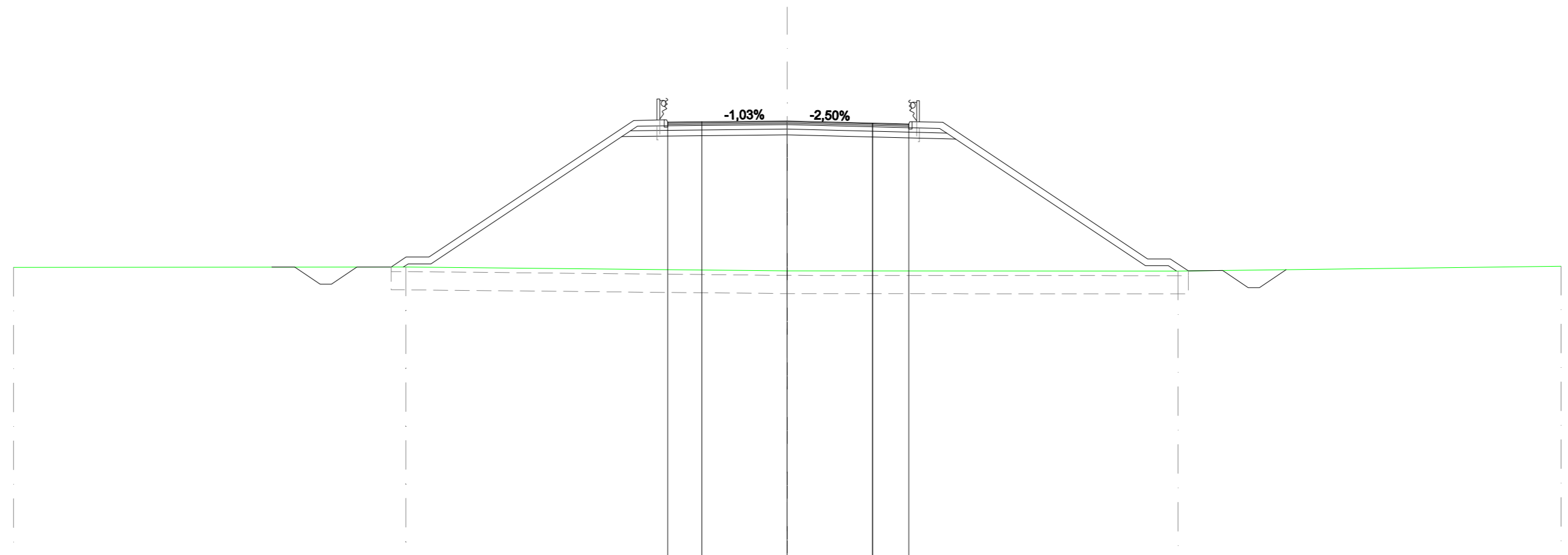
SCALA 1:200

QT.RIF. 20,000

QUOTE TERRENO	33,079												33,096												33,089	33,192
DIST. PARZIALI TERRENO	34,000											26,276											7,724			
DIST. PROGR. TERRENO	-34,000												0,000												-26,276	-34,000
QUOTE STRATO SUP.		33,086	33,088	33,088	32,338	32,338	33,088	33,088		38,526	38,233	38,553	38,553	38,491	38,585	38,491	38,233	38,453	38,553	38,553	38,526	33,092	33,092	32,342	32,342	33,091
DIST. PARZIALI STRATO SUP.		1,000	1,119	0,500	1,119	1,500		8,153	1,350	1,500	3,750	3,750	1,500	1,350	8,147	1,500	1,119	0,500	1,118							
DIST. PROGR. STRATO SUP.		-20,146	-20,142	-19,142	-18,023	-17,523	-16,403	-14,903		-6,750	-5,400	-6,250	-3,750		0,000	-3,750	5,250	5,300	5,400	6,750		-14,897	-16,397	-17,517	-18,017	-19,135



SEZIONE N.: 492  
 QT. PROGETTO: 39,287  
 DIST.PROG.: 10744,254  
 DIST.PREC.: 19,254  
 DIST.SUCC.: 0,010

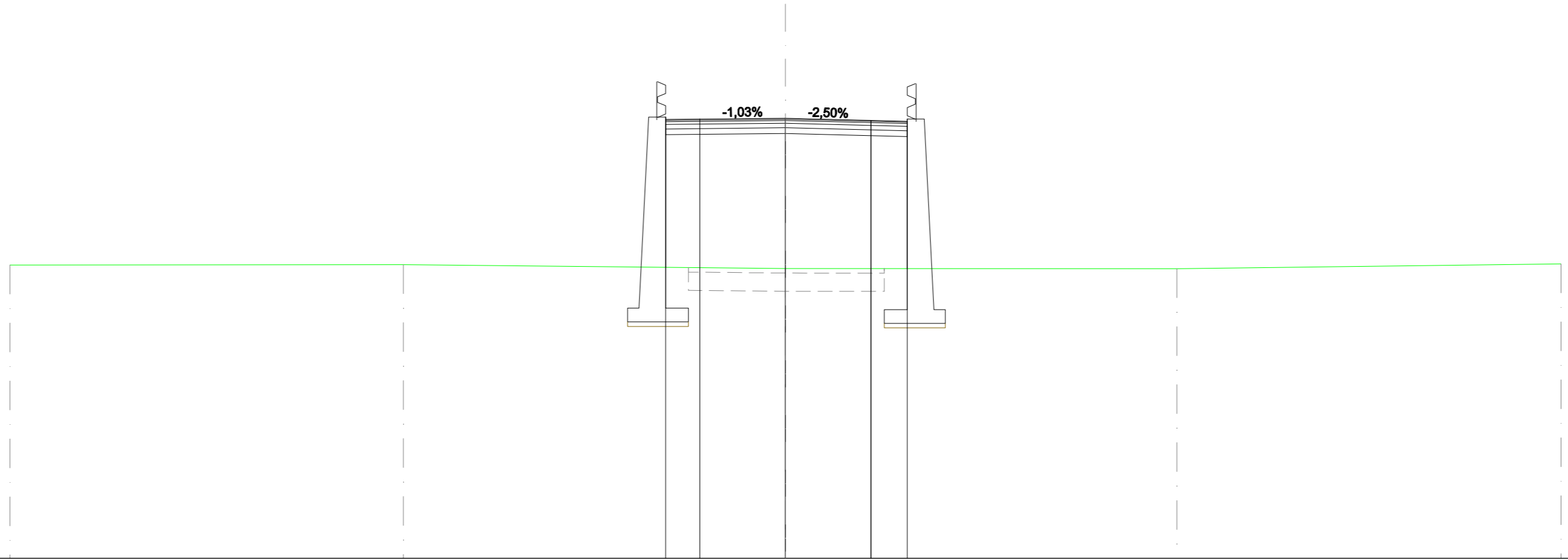


SCALA 1:200

QT.RIF. 20,000

QUOTE TERRENO	-32,856		-32,856		-32,701		-32,689		-32,901			
DIST. PARZIALI TERRENO		17,244		16,756		17,169		16,831				
DIST. PROGR. TERRENO	-34,000		-16,756		0,000		17,169		-34,000			
QUOTE STRATO SUP.		32,862 32,865 32,865	32,115 32,115	32,865	32,865 33,306 33,306	39,306 39,013 39,333 39,333 39,233 39,013 39,248	39,287	39,193 38,933 38,153 39,253 38,933 39,253 39,226	33,226 33,226 32,695	32,714 31,964 31,964	32,749	
DIST. PARZIALI STRATO SUP.		1,000 1,119 0,500 1,119 1,500	0,660 1,000	8,996	1,350 1,500	3,750 3,750	1,586 1,350	8,996	1,000 0,796 1,500 1,119 0,500 1,172			
DIST. PROGR. STRATO SUP.		-22,649 -22,644 -21,644	-20,525 -20,025	-18,906	-17,406 -16,746 -15,746	-6,750 -5,400 -5,300 -5,250 -3,750	0,000	-3,750	5,336 5,386 5,486 6,836	-15,832 -16,832 -17,628	-19,128 -20,248 -20,748	-21,919

SEZIONE N.: 493  
 QT. PROGETTO: 39,287  
 DIST.PROG.: 10744,264  
 DIST.PREC.: 0,010  
 DIST.SUCC.: 11,378

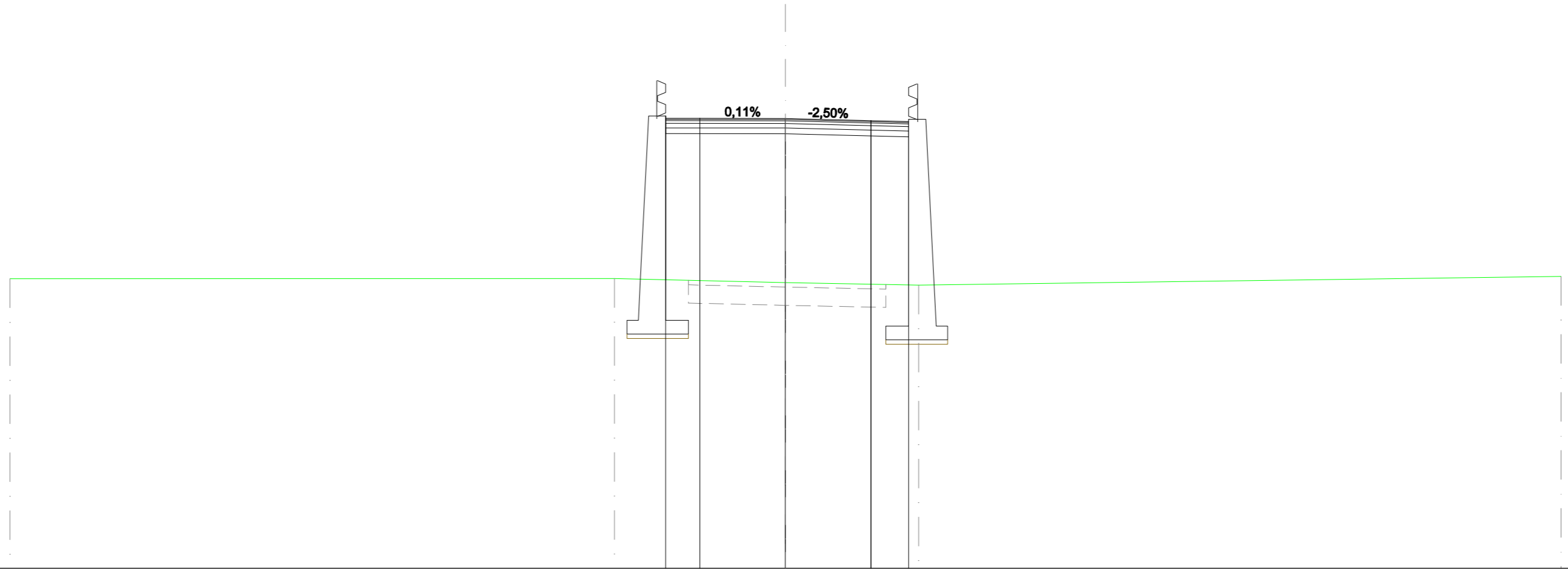


SCALA 1:200

QT.RIF. 20,000

QUOTE TERRENO	32,855	32,866	32,700	32,689	32,901
DIST. PARZIALI TERRENO	17,252	16,748	17,156	16,844	
DIST. PROGR. TERRENO	-34,000	-16,748	0,000	17,156	-34,000
QUOTE STRATO SUP.			39,233 39,249	39,287	39,193 39,154
DIST. PARZIALI STRATO SUP.			1,500 3,750	3,750	1,587
DIST. PROGR. STRATO SUP.			-5,250 -3,750	0,000	3,750 -5,337

SEZIONE N.: 494  
 QT. PROGETTO: 39,702  
 DIST.PROG.: 10755,643  
 DIST.PREC.: 11,378  
 DIST.SUCC.: 0,010

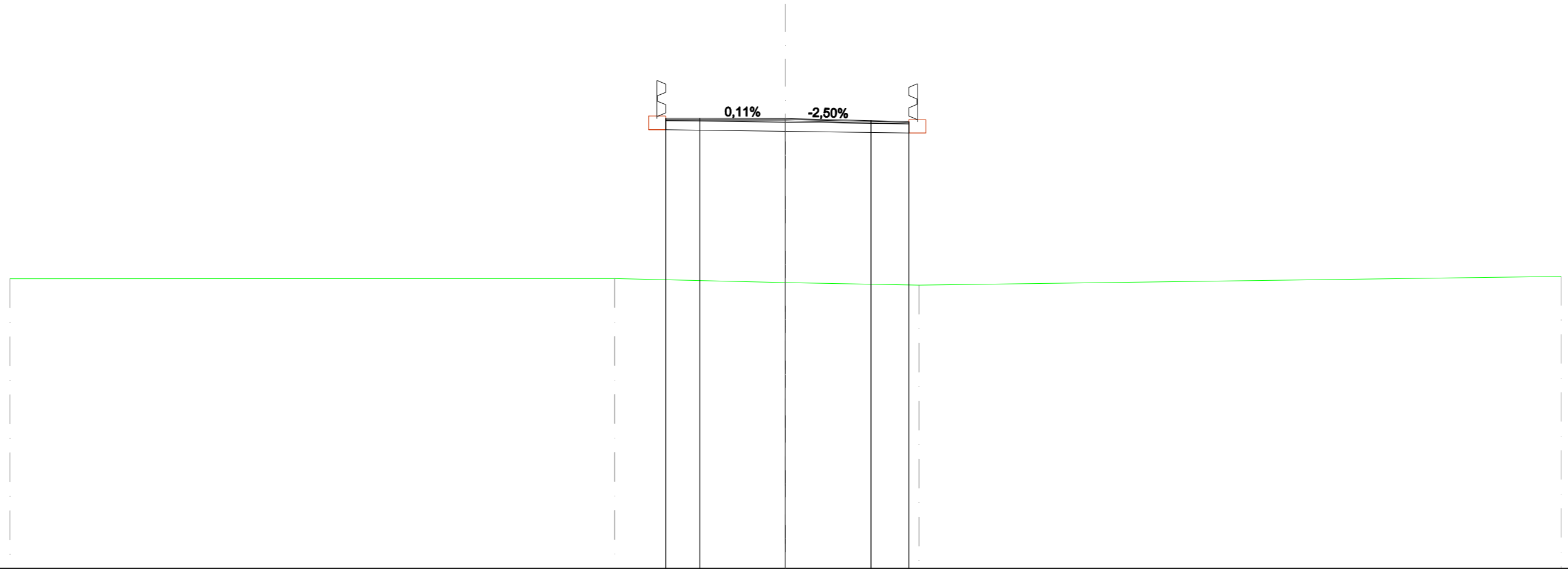


SCALA 1:200

QT.RIF. 20,000

QUOTE TERRENO	32,681	32,691	32,516	32,400	32,780	
DIST. PARZIALI TERRENO	26,503	7,497	5,838	28,162		
DIST. PROGR. TERRENO	-34,000	-7,497	0,000	5,838	-34,000	
QUOTE STRATO SUP.		39,708	39,706	39,702	39,608	39,567
DIST. PARZIALI STRATO SUP.		1,500	3,750	3,750	1,653	
DIST. PROGR. STRATO SUP.		-5,250	-3,750	0,000	3,750	5,403

SEZIONE N.: 495  
 QT. PROGETTO: 39,702  
 DIST.PROG.: 10755,653  
 DIST.PREC.: 0,010  
 DIST.SUCC.: 19,347

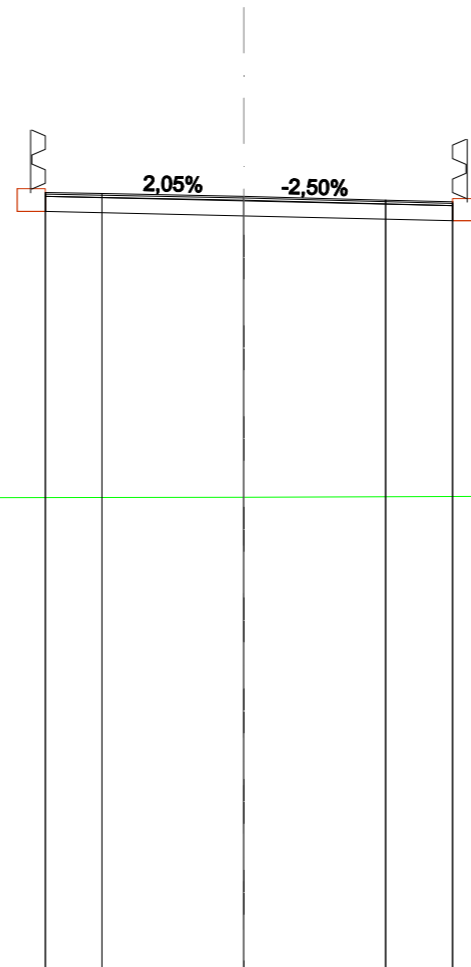


SCALA 1:200

QT.RIF. 20,000

QUOTE TERRENO	32,680		32,691		32,517		32,400		32,779
DIST. PARZIALI TERRENO		26,511		7,489		5,855		28,145	
DIST. PROGR. TERRENO	-34,000		-7,489		0,000		5,855		-34,000
QUOTE STRATO SUP.				39,668 39,708		39,702		39,609 39,527 39,567	
DIST. PARZIALI STRATO SUP.				1,500		3,750		3,750 1,654	
DIST. PROGR. STRATO SUP.				-5,250 -3,750		0,000		3,750 5,404	

SEZIONE N.: 496  
 QT. PROGETTO: 40,408  
 DIST.PROG.: 10775,000  
 DIST.PREC.: 19,347  
 DIST.SUCC.: 25,000

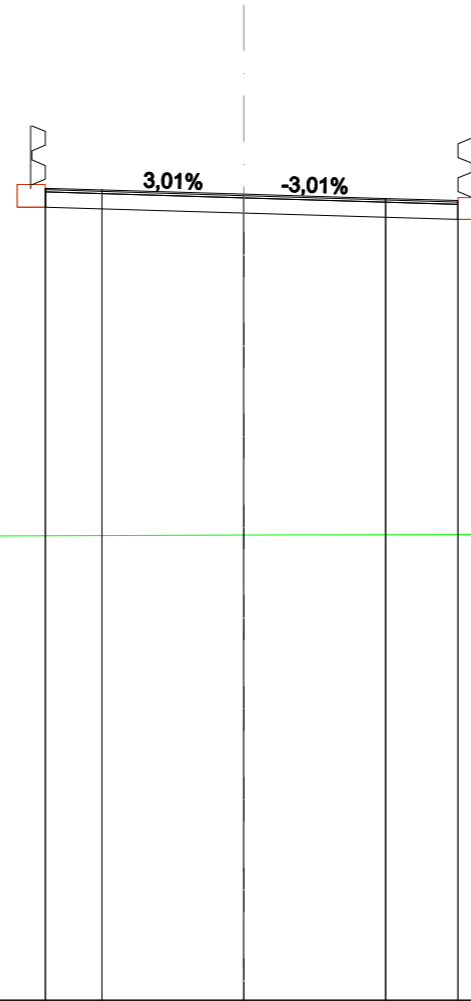


SCALA 1:200

QT.RIF. 20,000

QUOTE TERRENO	32,406			32,451			32,583
DIST. PARZIALI TERRENO		34,000			34,000		
DIST. PROGR. TERRENO	-34,000			0,000			-34,000
QUOTE STRATO SUP.			40,475 40,515 40,485	40,408	40,314	40,230 40,270	
DIST. PARZIALI STRATO SUP.			1,500 3,750	3,750	1,767		
DIST. PROGR. STRATO SUP.			-5,250 -3,750	0,000	-3,750	-5,517	

SEZIONE N.: 497  
 QT. PROGETTO: 41,316  
 DIST.PROG.: 10800,000  
 DIST.PREC.: 25,000  
 DIST.SUCC.: 25,000



SCALA 1:200

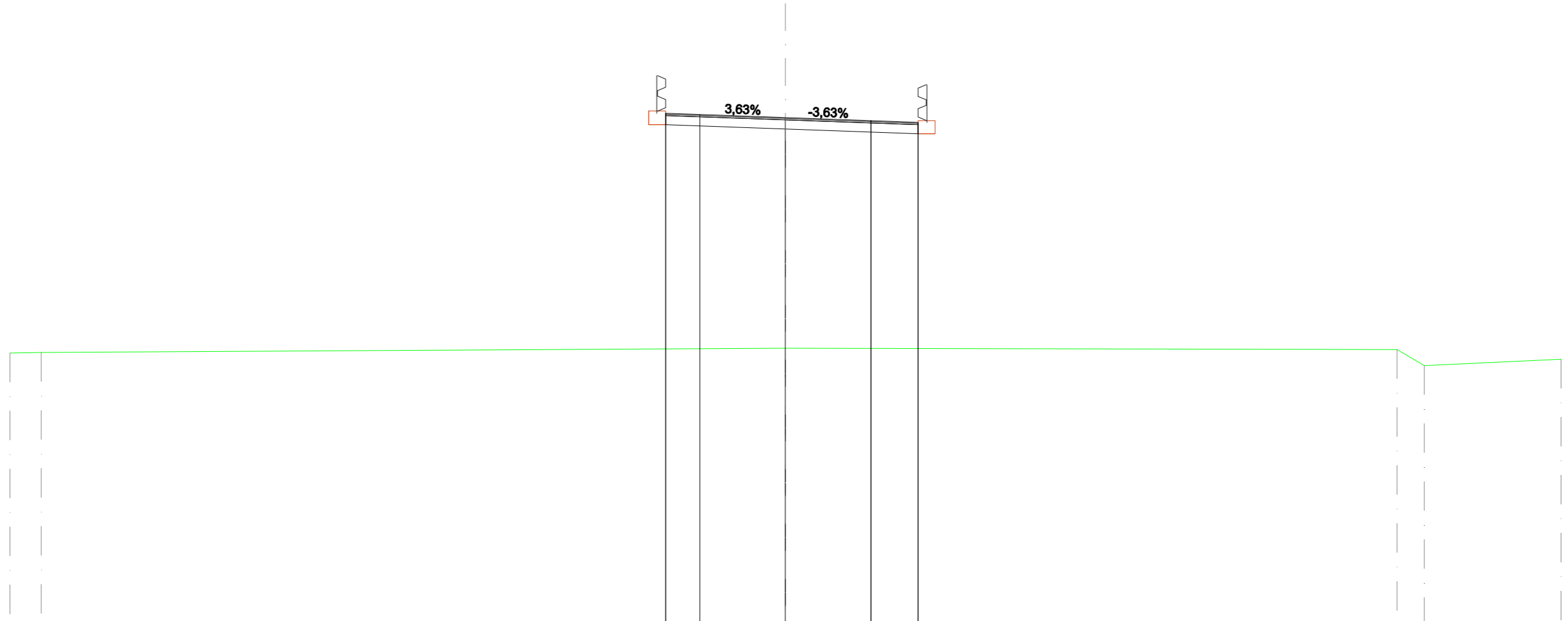
QT.RIF. 20,000

QUOTE TERRENO	32,175					32,298				32,371
DIST. PARZIALI TERRENO			34,000						34,000	
DIST. PROGR. TERRENO	-34,000					0,000				-34,000
QUOTE STRATO SUP.						41,316		41,204		41,106
DIST. PARZIALI STRATO SUP.						1,500	3,750	3,750	1,914	
DIST. PROGR. STRATO SUP.						-5,250	-3,750	0,000	3,750	5,664

SEZIONE N.: 498  
 QT. PROGETTO: 42,171  
 DIST.PROG.: 10825,000  
 DIST.PREC.: 25,000  
 DIST.SUCC.: 25,000

SCALA 1:200

QT.RIF. 20,000

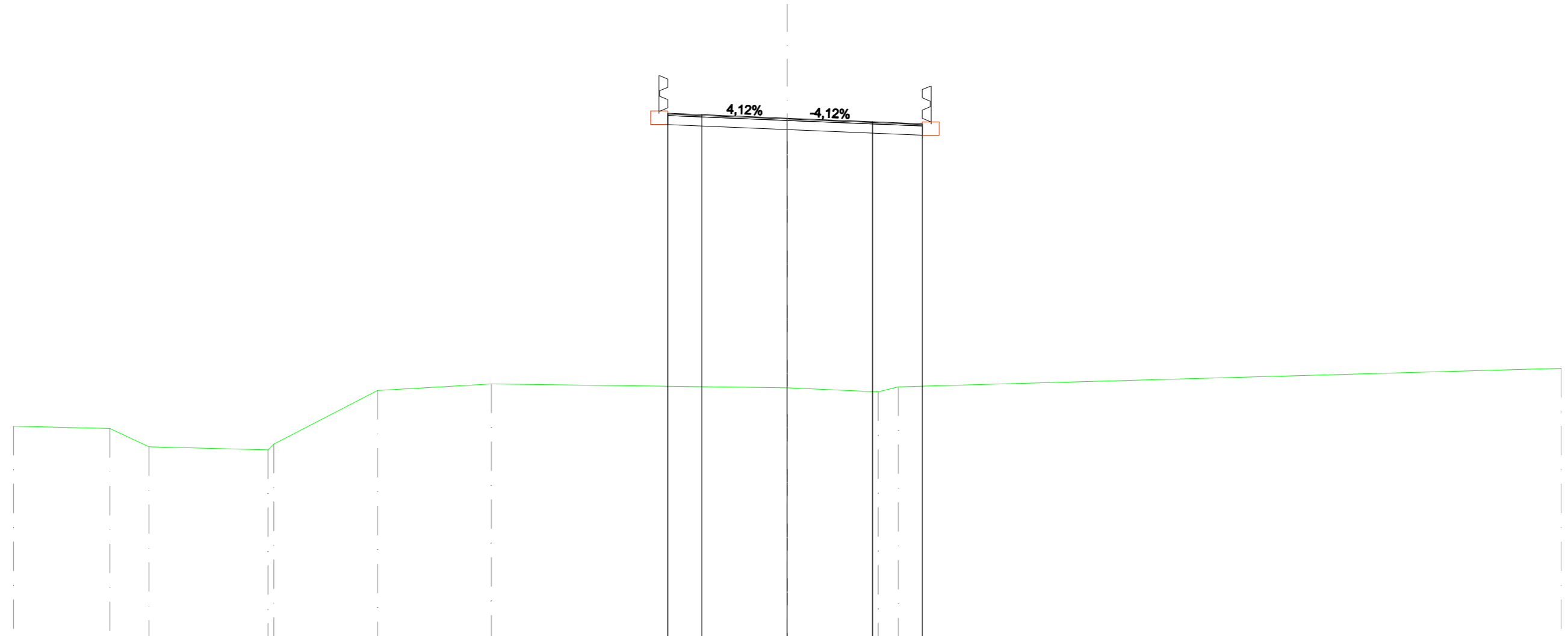


QUOTE TERRENO	31,856	31,877			32,065				32,002	31,302		31,582	
DIST. PARZIALI TERRENO	1,376		32,624					26,809	1,189	5,992			
DIST. PROGR. TERRENO	-34,000	-32,624			0,000				-26,809	-28,008		-34,000	
QUOTE STRATO SUP.					42,321	42,361	42,307		42,171		42,035	41,960	41,920
DIST. PARZIALI STRATO SUP.					1,500	3,750		3,750		2,061			
DIST. PROGR. STRATO SUP.					-5,250	-3,750		0,000		-3,750		-5,811	

SEZIONE N.: 499  
 QT. PROGETTO: 42,954  
 DIST.PROG.: 10850,000  
 DIST.PREC.: 25,000  
 DIST.SUCC.: 25,000

SCALA 1:200

QT.RIF. 20,000



QUOTE TERRENO	29,434	29,327	28,529	28,386 28,641	31,000	31,282	31,118	30,936 31,161	31,973		
DIST. PARZIALI TERRENO	4,234	1,720	5,238	4,556	4,999	13,000	3,994	0,886	29,120		
DIST. PROGR. TERRENO	-34,000	-29,766	-28,046	-22,808 -22,556	-17,999	-13,000	0,000	3,994 4,880	-34,000		
QUOTE STRATO SUP.							43,131 43,171	43,109	42,954	42,800	42,670 42,710
DIST. PARZIALI STRATO SUP.							1,500	3,750	3,750	2,180	
DIST. PROGR. STRATO SUP.							-5,250	-3,750	0,000	3,750	5,930

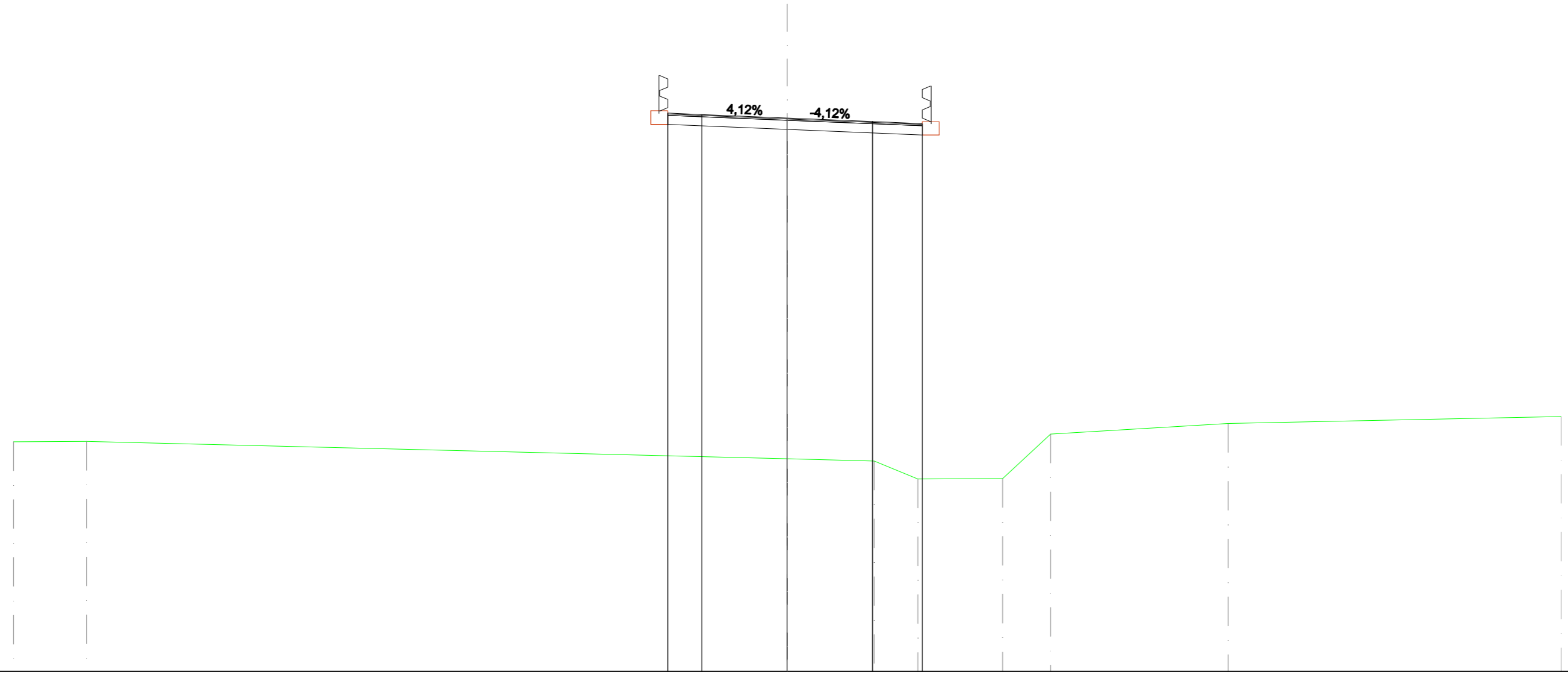




SEZIONE N.: 501  
 QT. PROGETTO: 44,308  
 DIST.PROG.: 10900,000  
 DIST.PREC.: 25,000  
 DIST.SUCC.: 25,000

SCALA 1:200

QT.RIF. 20,000

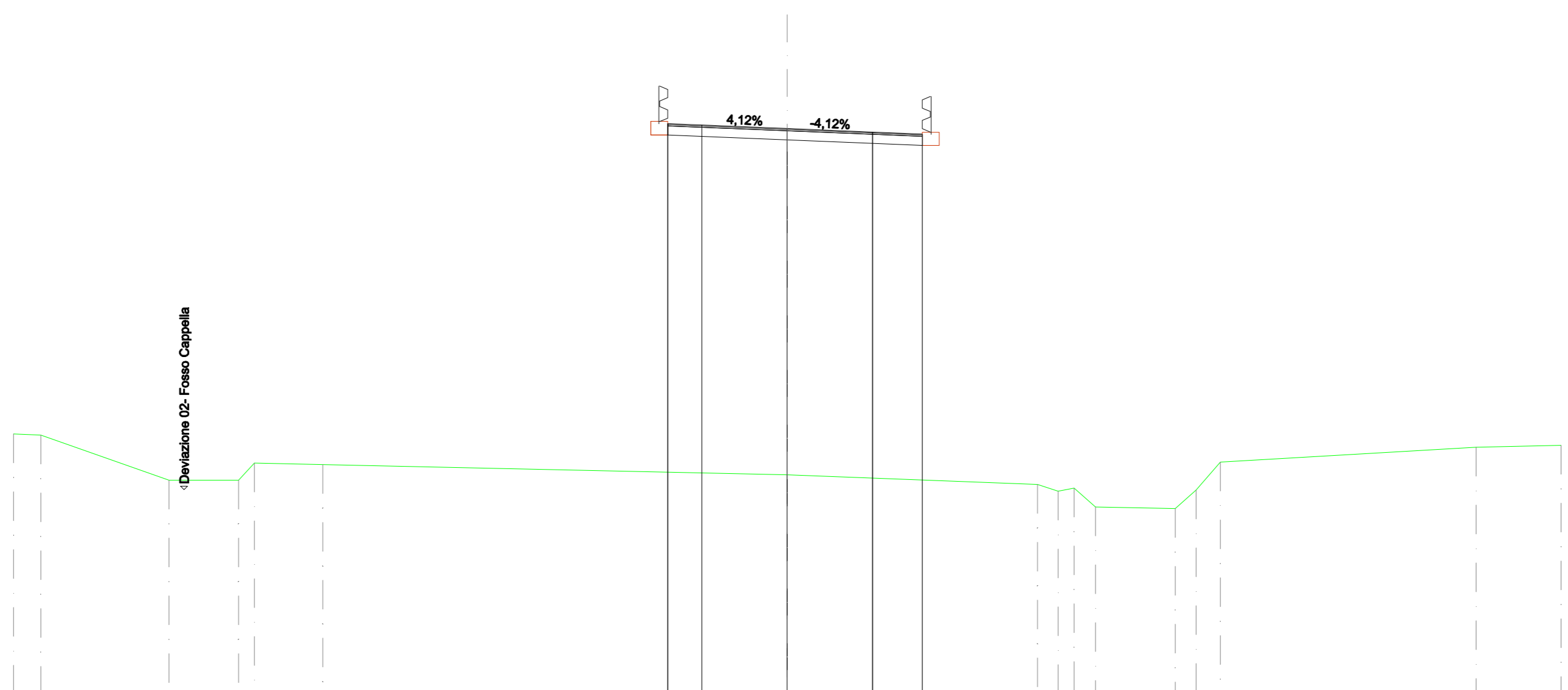


QUOTE TERRENO	30,080	30,103				29,335	29,235	28,446	28,463	30,423		30,887		31,195
DIST. PARZIALI TERRENO		3,215			30,785		3,827	1,909	3,730	2,103		7,796		14,635
DIST. PROGR. TERRENO	-34,000	-30,785				0,000	3,827	5,736	9,466	11,570		19,365		34,000
QUOTE STRATO SUP.						44,308	44,154	44,024						
DIST. PARZIALI STRATO SUP.						1,500	3,750	3,750	2,180					
DIST. PROGR. STRATO SUP.						-5,250	-3,750	0,000	3,750	5,930				

SEZIONE N.: 502  
 QT. PROGETTO: 44,879  
 DIST. PROG.: 10925,000  
 DIST. PREC.: 25,000  
 DIST. SUCC.: 25,000

SCALA 1:200

QT.RIF. 20,000

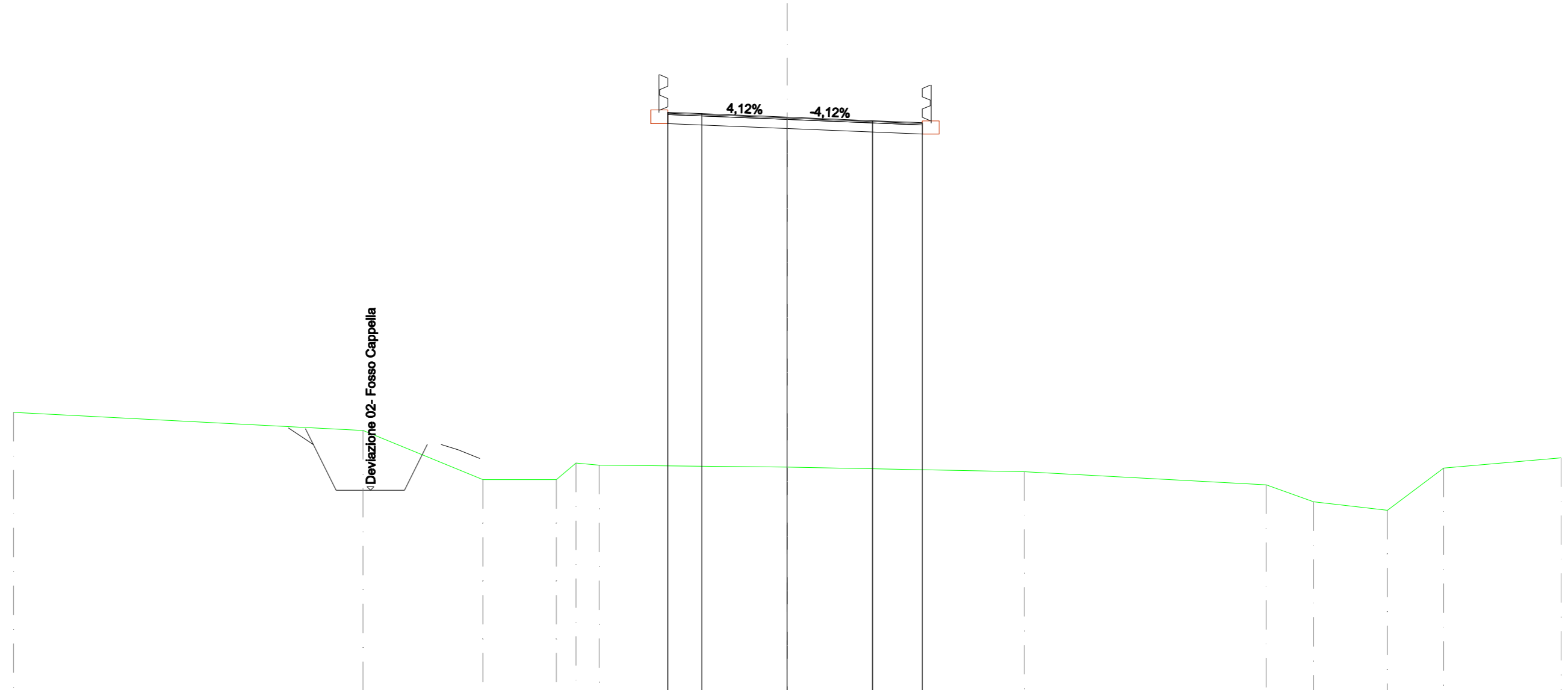


QUOTE TERRENO	31,466	31,411	29,429	29,429	30,187	30,113	29,669	29,246	28,948	29,083	28,252	28,187	29,000	30,225	30,878	30,964
DIST. PARZIALI TERRENO	1,203	5,637	3,050	0,698	3,005	20,407	10,993	0,906	0,702	0,947	3,502	0,917	1,069	11,238	3,735	
DIST. PROGR. TERRENO	-34,000	-32,797	-27,160	-24,111	-23,412	-20,407	0,000	-10,993	-11,899	-12,601	-13,548	-17,050	-17,967	-19,027	-30,265	-34,000
QUOTE STRATO SUP.							45,056	45,096	45,034	44,879	44,724	44,694	44,634			
DIST. PARZIALI STRATO SUP.							1,500	3,750	3,750	2,180						
DIST. PROGR. STRATO SUP.							-5,250	-3,750	0,000	3,750	5,930					

SEZIONE N.: 503  
 QT. PROGETTO: 45,378  
 DIST. PROG.: 10950,000  
 DIST. PREC.: 25,000  
 DIST. SUCC.: 25,000

SCALA 1:200

QT.RIF. 20,000

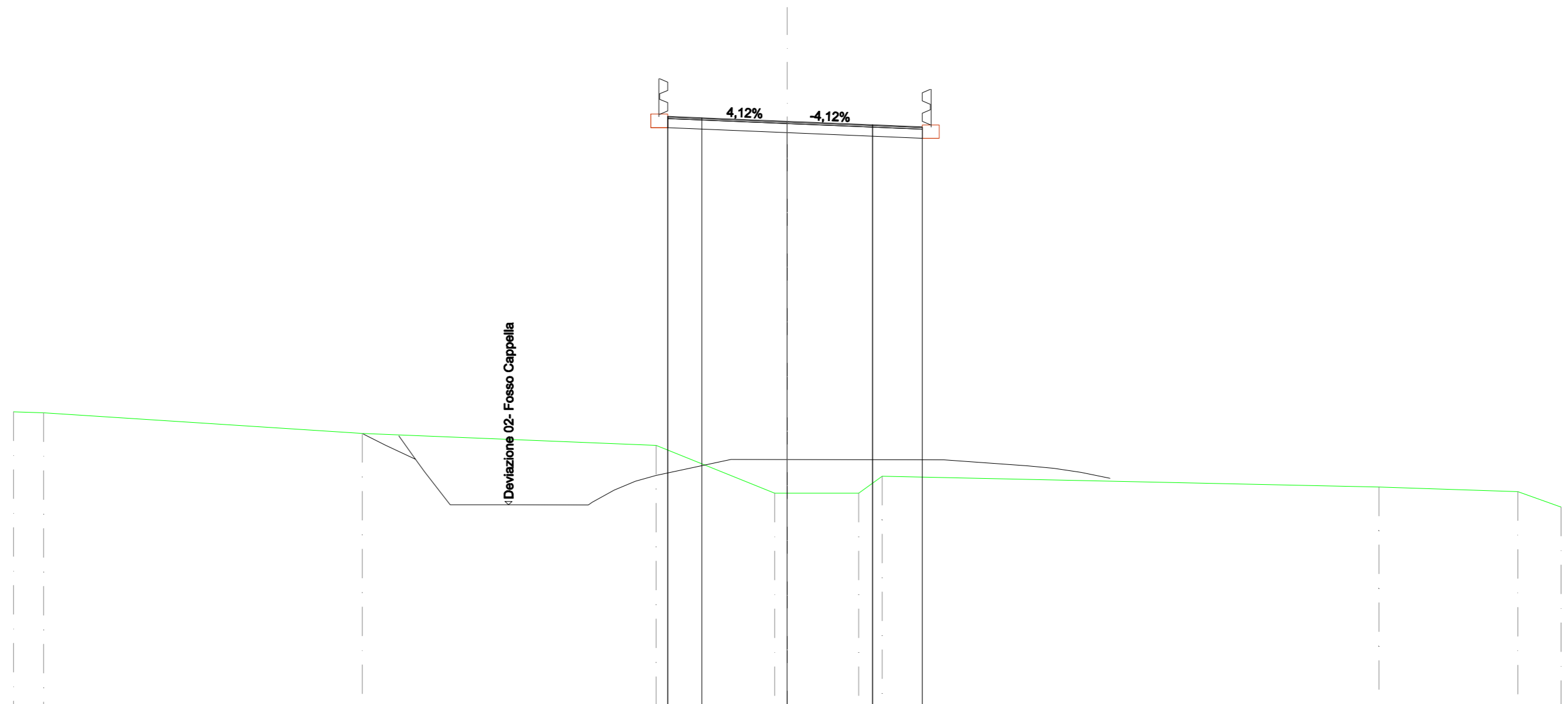


QUOTE TERRENO	32,409		31,613		29,458		29,460	30,187	30,089		30,003		29,803		29,230	28,482	28,114	29,967	30,415
DIST. PARZIALI TERRENO		15,365		5,268	3,222	0,881	1,030		8,255		10,422		10,621		2,086	3,246	2,466	5,160	
DIST. PROGR. TERRENO	-34,000		-18,635		-13,368		-10,146	-9,285	-8,255		0,000		-10,422		-21,042	-23,128	-26,374	-28,840	-34,000
QUOTE STRATO SUP.											45,555	45,595	45,533		45,378		45,224	45,094	45,134
DIST. PARZIALI STRATO SUP.											1,500	3,750	3,750	2,180					
DIST. PROGR. STRATO SUP.											-5,250	-3,750	0,000	3,750	5,930				

SEZIONE N.: 504  
 QT. PROGETTO: 45,807  
 DIST.PROG.: 10975,000  
 DIST.PREC.: 25,000  
 DIST.SUCC.: 25,000

SCALA 1:200

QT.RIF. 20,000

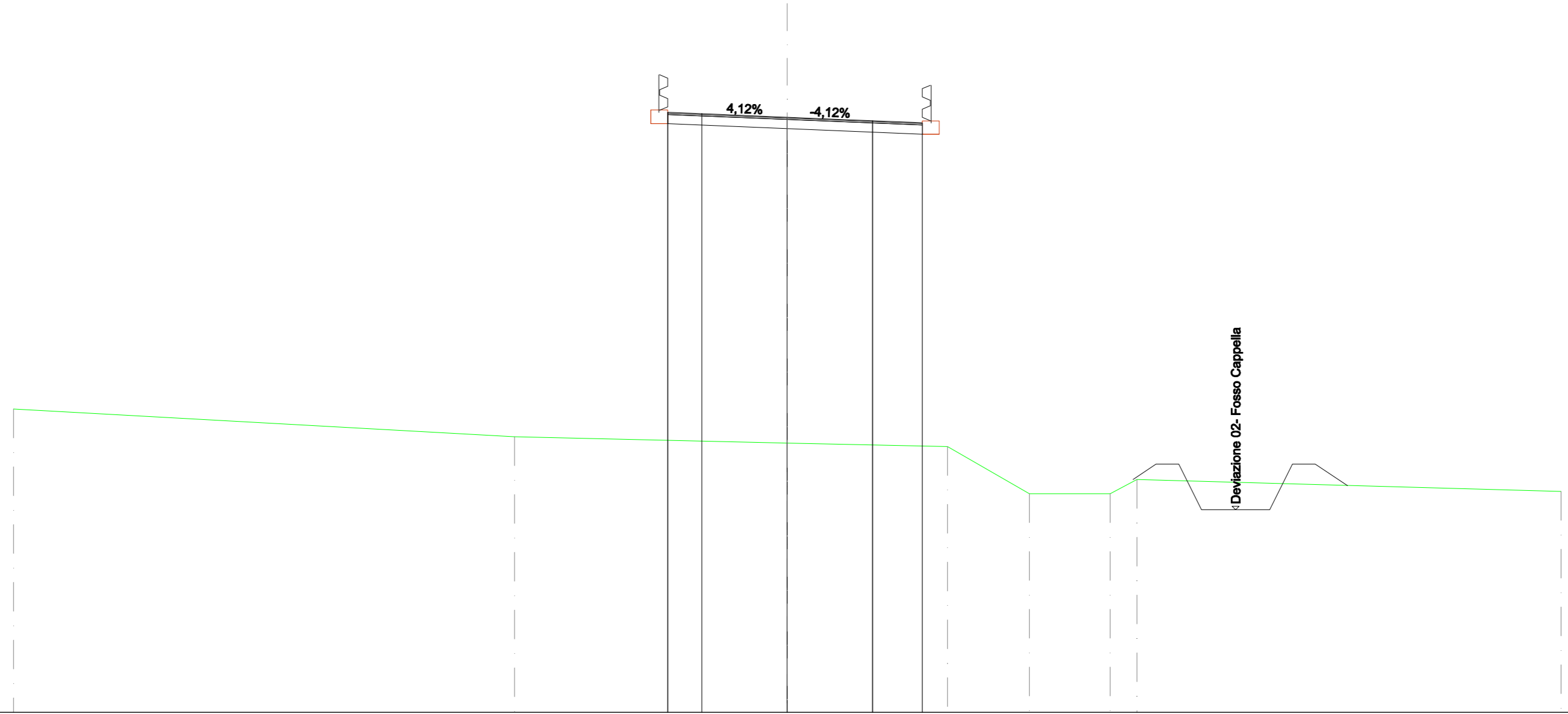


QUOTE TERRENO	33,043	33,000	32,102	31,570	29,473	29,473	29,473	30,218	29,748	29,539	28,867
DIST. PARZIALI TERRENO	1,324	14,007	12,909	5,204	0,555	3,142	1,028	21,828	6,103	1,899	
DIST. PROGR. TERRENO	-34,000	-32,676	-18,668	-5,759	-0,555	0,000	3,142	4,170	25,998	32,101	34,000
QUOTE STRATO SUP.				45,983	46,023	45,962	45,807	45,652	45,622	45,562	
DIST. PARZIALI STRATO SUP.				1,500	3,750	3,750	2,180				
DIST. PROGR. STRATO SUP.				-5,250	-3,750	0,000	3,750	5,930			

SEZIONE N.: 505  
 QT. PROGETTO: 46,164  
 DIST. PROG.: 11000,000  
 DIST. PREC.: 25,000  
 DIST. SUCC.: 25,000

SCALA 1:200

QT.RIF. 20,000

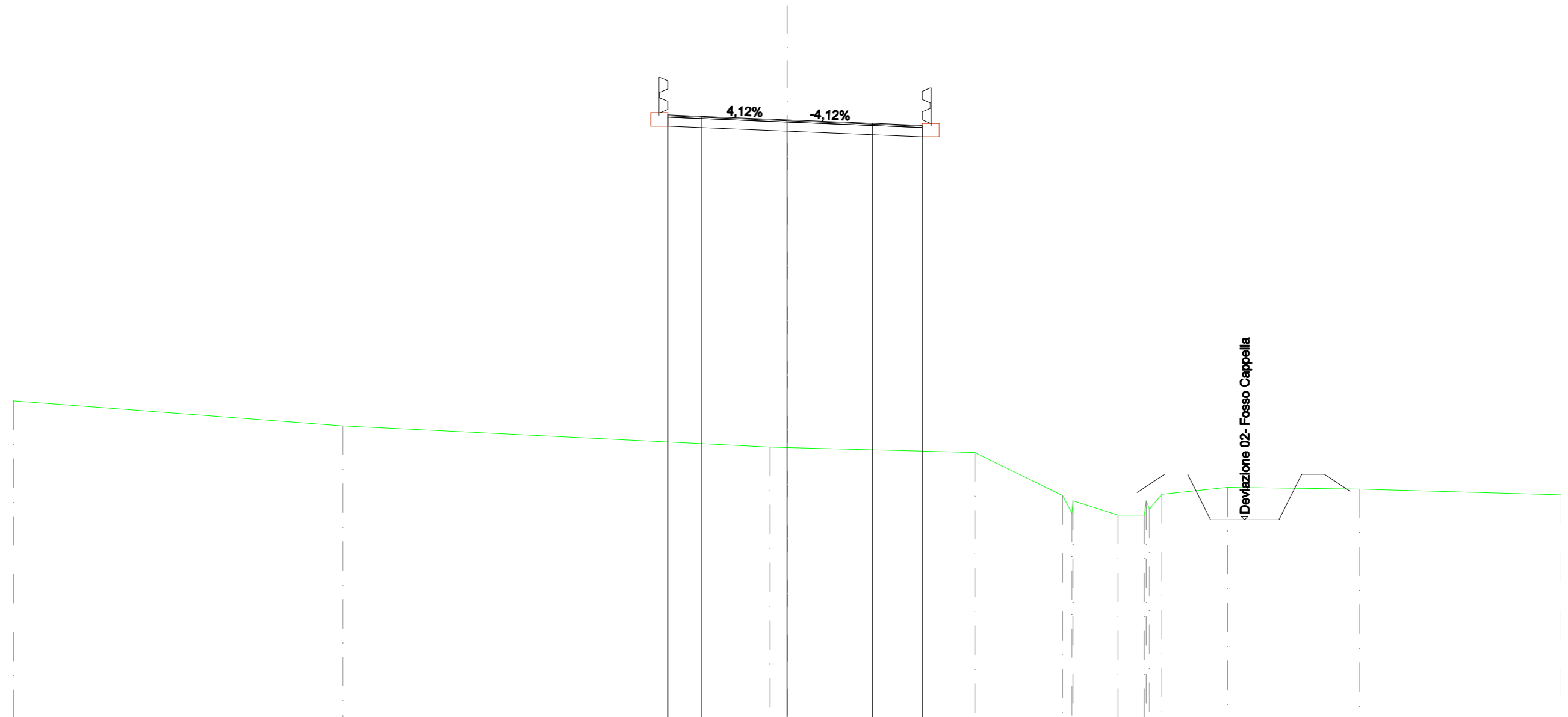


QUOTE TERRENO	33,330		32,113		31,832		31,682	29,607	29,607	30,232		29,713
DIST. PARZIALI TERRENO		22,016		11,984		7,040		3,604	3,542	1,182		18,632
DIST. PROGR. TERRENO	-34,000		-11,984		0,000		7,040	-10,644	-14,186	-15,368		-34,000
QUOTE STRATO SUP.					46,341 46,381	46,319	46,164	46,010	45,880 45,920			
DIST. PARZIALI STRATO SUP.					1,500	3,750	3,750	2,180				
DIST. PROGR. STRATO SUP.					-5,250	-3,750	0,000	-3,750	5,930			

SEZIONE N.: 506  
 QT. PROGETTO: 46,451  
 DIST. PROG.: 11025,000  
 DIST. PREC.: 25,000  
 DIST. SUCC.: 25,000

SCALA 1:200

QT.RIF. 20,000

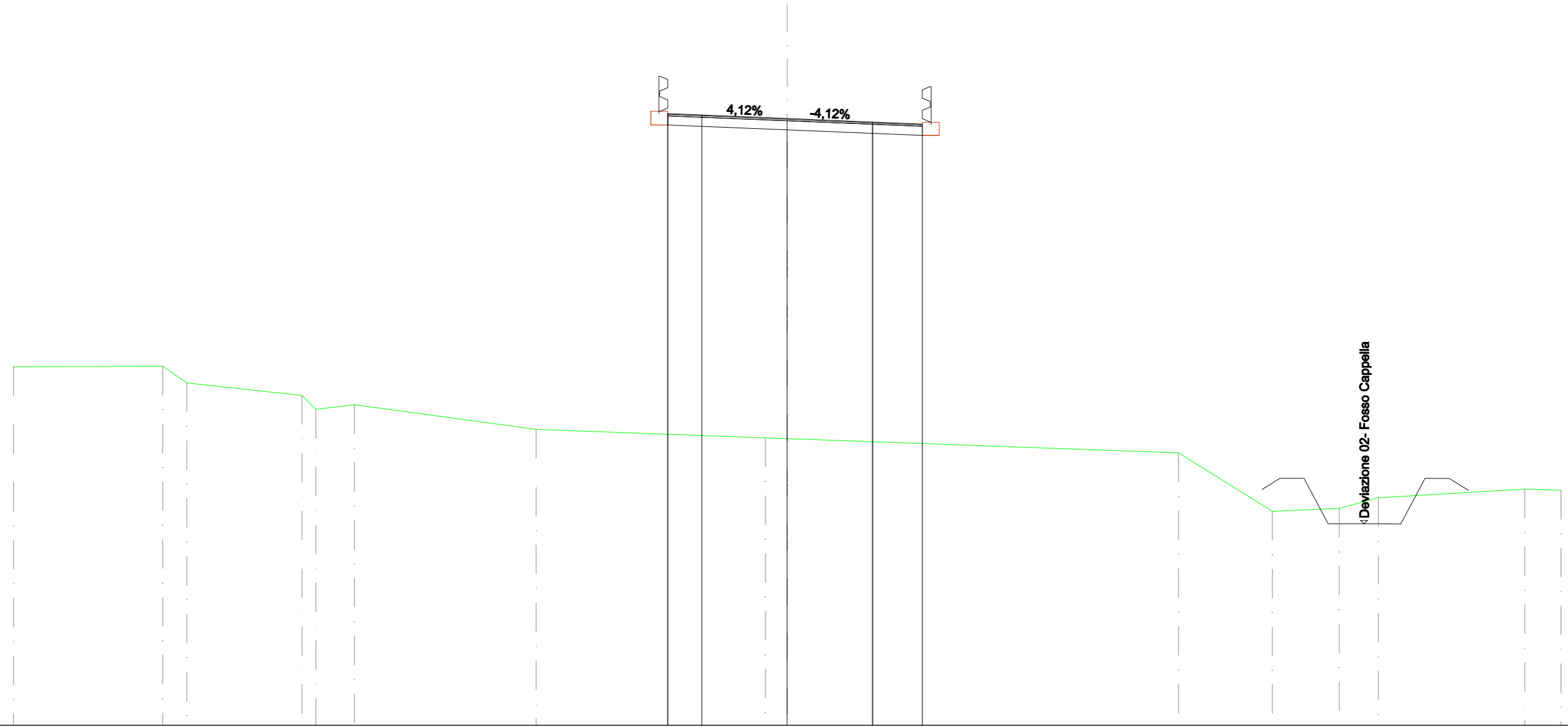


QUOTE TERRENO	34,101	33,000	32,068	32,049	31,839	29,936	29,176	29,087	29,085	30,306	30,228	29,969
DIST. PARZIALI TERRENO	14,470	18,776	0,754	8,241	3,855	1,985	1,150	2,888	5,807	8,845		
DIST. PROGR. TERRENO	-34,000	-19,530	-0,754	0,000	-8,241	12,096	12,499	14,535	15,685	19,348	25,155	34,000
QUOTE STRATO SUP.			46,627	46,605	46,451	46,296	46,166					
DIST. PARZIALI STRATO SUP.			1,500	3,750	3,750	2,180						
DIST. PROGR. STRATO SUP.			-5,250	-3,750	0,000	3,750	5,930					

SEZIONE N.: 507  
 QT. PROGETTO: 46,666  
 DIST.PROG.: 11050,000  
 DIST.PREC.: 25,000  
 DIST.SUCC.: 25,000

SCALA 1:200

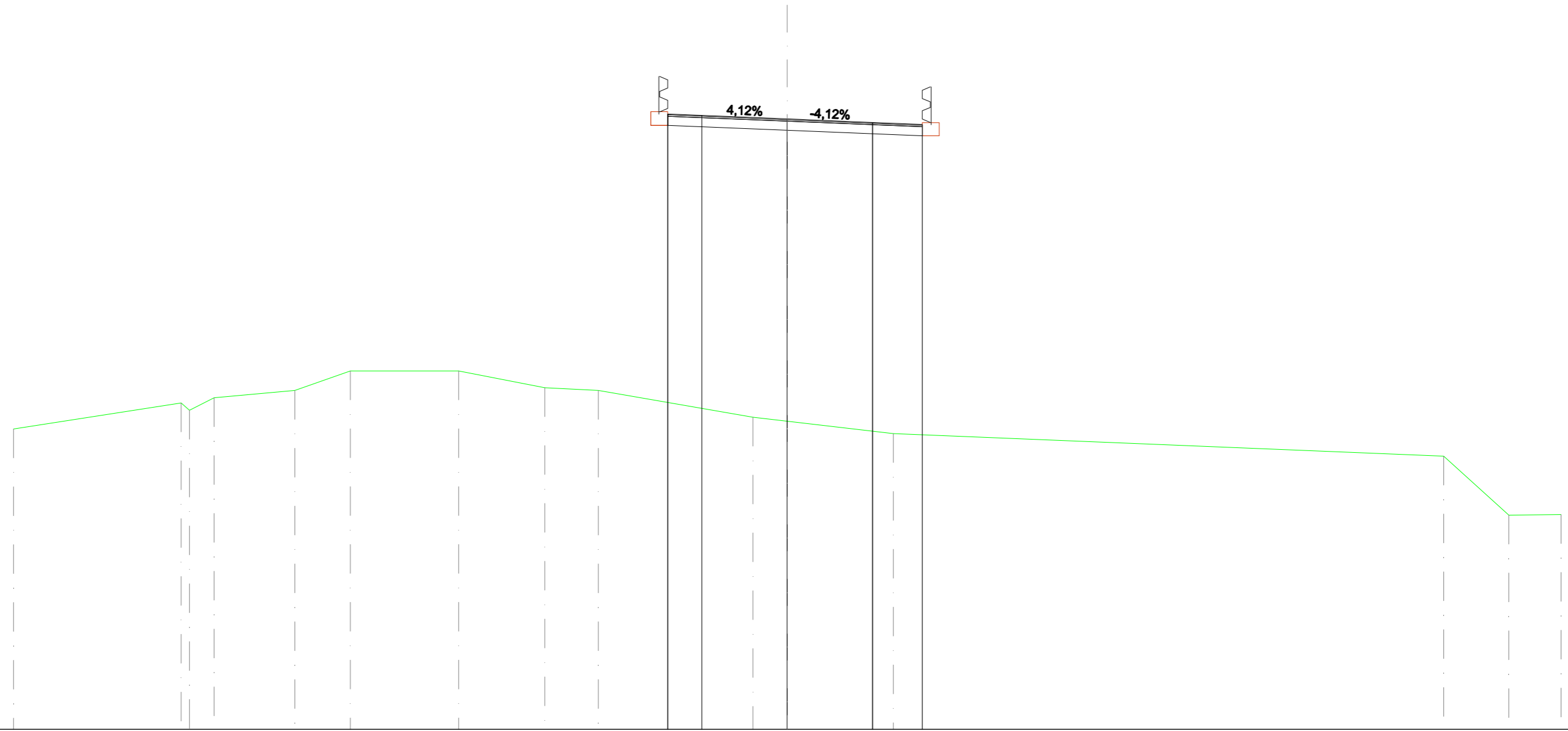
QT.RIF. 20,000



QUOTE TERRENO	35,758	35,778	35,041	34,494	33,882	34,085	33,000	32,635	32,600	31,972	29,408	29,529	30,000	30,380	30,325
DIST. PARZIALI TERRENO	6,558	1,061	5,055	0,611	1,693	7,989	10,073	0,960	17,194	4,124	2,935	1,717	6,437	1,583	
DIST. PROGR. TERRENO	-34,000	-27,442	-26,380	-21,325	-20,714	-19,021	-11,032	-0,960	0,000	-17,194	-21,318	-24,253	-25,970	-32,407	-34,000
QUOTE STRATO SUP.								46,843	46,821	46,666	46,511	46,381	46,421		
DIST. PARZIALI STRATO SUP.								1,500	3,750	3,750	2,180				
DIST. PROGR. STRATO SUP.								-5,250	-3,750	0,000	3,750	5,930			



SEZIONE N.: 508  
 QT. PROGETTO: 46,810  
 DIST. PROG.: 11075,000  
 DIST. PREC.: 25,000  
 DIST. SUCC.: 25,000



SCALA 1:200

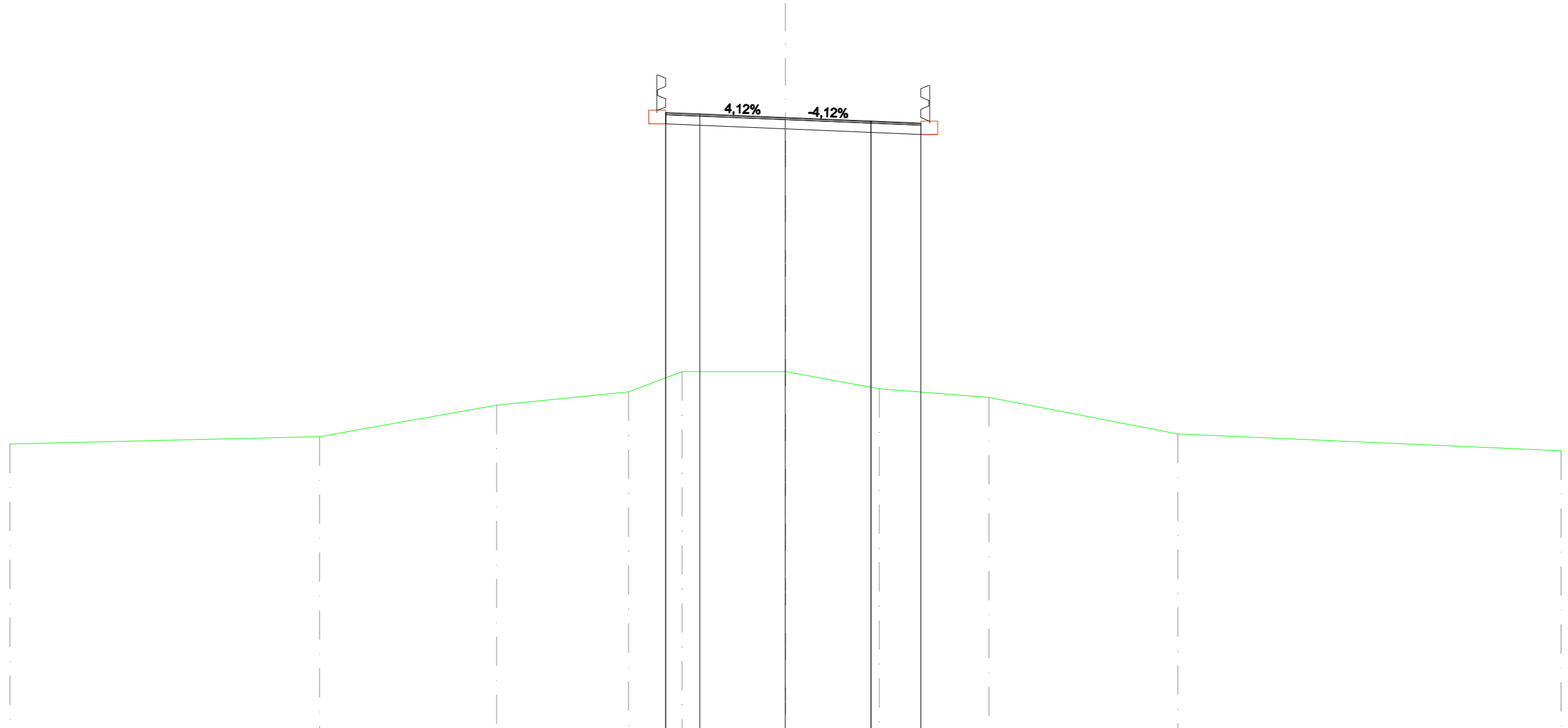
QT.RIF. 20,000

QUOTE TERRENO	33,190	34,329 34,010	34,565	34,887	35,737	35,736	35,000	34,880	33,706	33,531	32,991	32,000	29,405	29,434
DIST. PARZIALI TERRENO	7,374	1,085	3,548	2,435	4,764	3,783	2,352	6,789	1,510	4,661	24,186	2,862	2,291	
DIST. PROGR. TERRENO	-34,000	-26,626 -26,266	-25,181	-21,634	-19,199	-14,435	-10,652	-8,300	-1,510	0,000	4,661	28,847	31,709	34,000
QUOTE STRATO SUP.									46,987 47,027	46,965	46,810	46,656	46,526 46,566	
DIST. PARZIALI STRATO SUP.									1,500	3,750	3,750	2,180		
DIST. PROGR. STRATO SUP.									-5,250	-3,750	0,000	3,750	5,930	

SEZIONE N.: 509  
 QT. PROGETTO: 46,884  
 DIST.PROG.: 11100,000  
 DIST.PREC.: 25,000  
 DIST.SUCC.: 25,000

SCALA 1:200

QT.RIF. 20,000

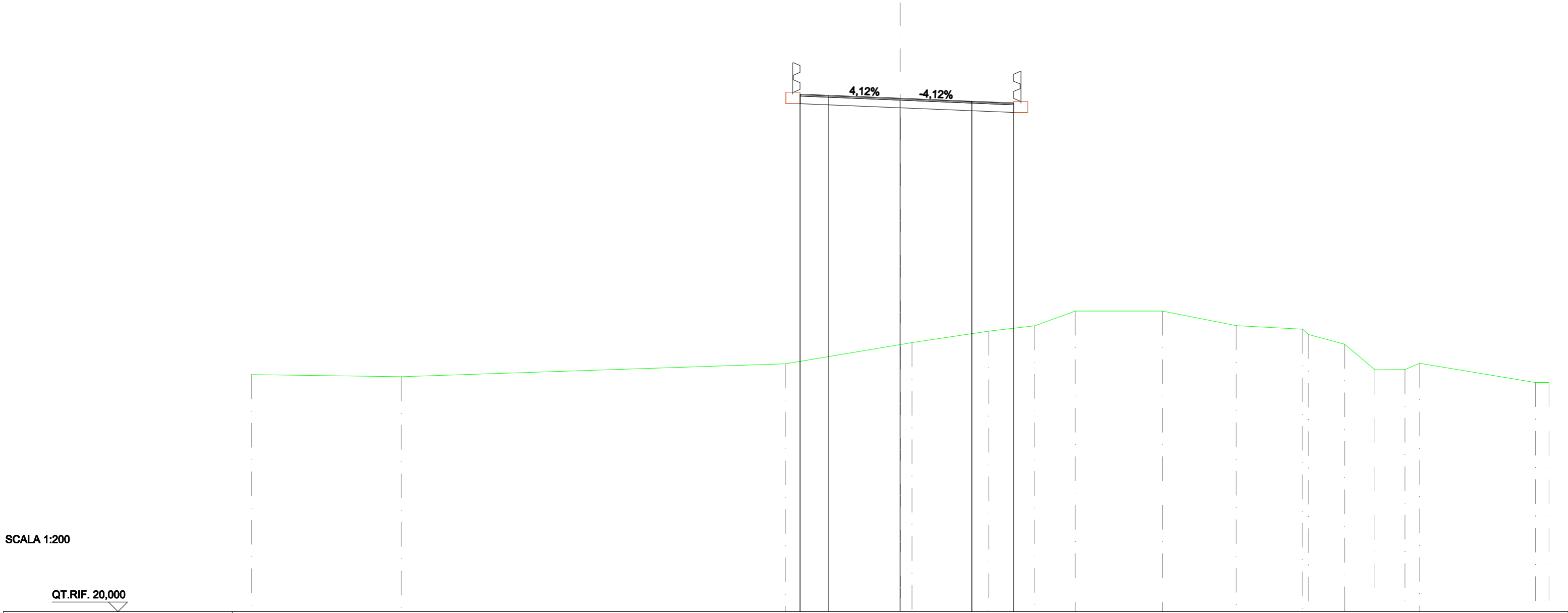


QUOTE TERRENO	32,567	32,887	34,268	34,854	35,736	35,736	34,988	34,606	33,000	32,268
DIST. PARZIALI TERRENO		13,579	7,760	5,786	2,342	4,533	4,110	4,811	8,278	16,801
DIST. PROGR. TERRENO	-34,000	-20,421	-12,661	-6,875	-4,533	0,000	4,110	8,922	17,199	34,000
QUOTE STRATO SUP.					47,060 47,100 47,038	46,884	46,729	46,599 46,639		
DIST. PARZIALI STRATO SUP.					1,500	3,750	3,750	2,180		
DIST. PROGR. STRATO SUP.					-5,250 -3,750	0,000	3,750	5,930		

SEZIONE N.: 510  
 QT. PROGETTO: 46,886  
 DIST. PROG.: 11125,000  
 DIST. PREC.: 25,000  
 DIST. SUCC.: 25,000

SCALA 1:200

QT.RIF. 20,000

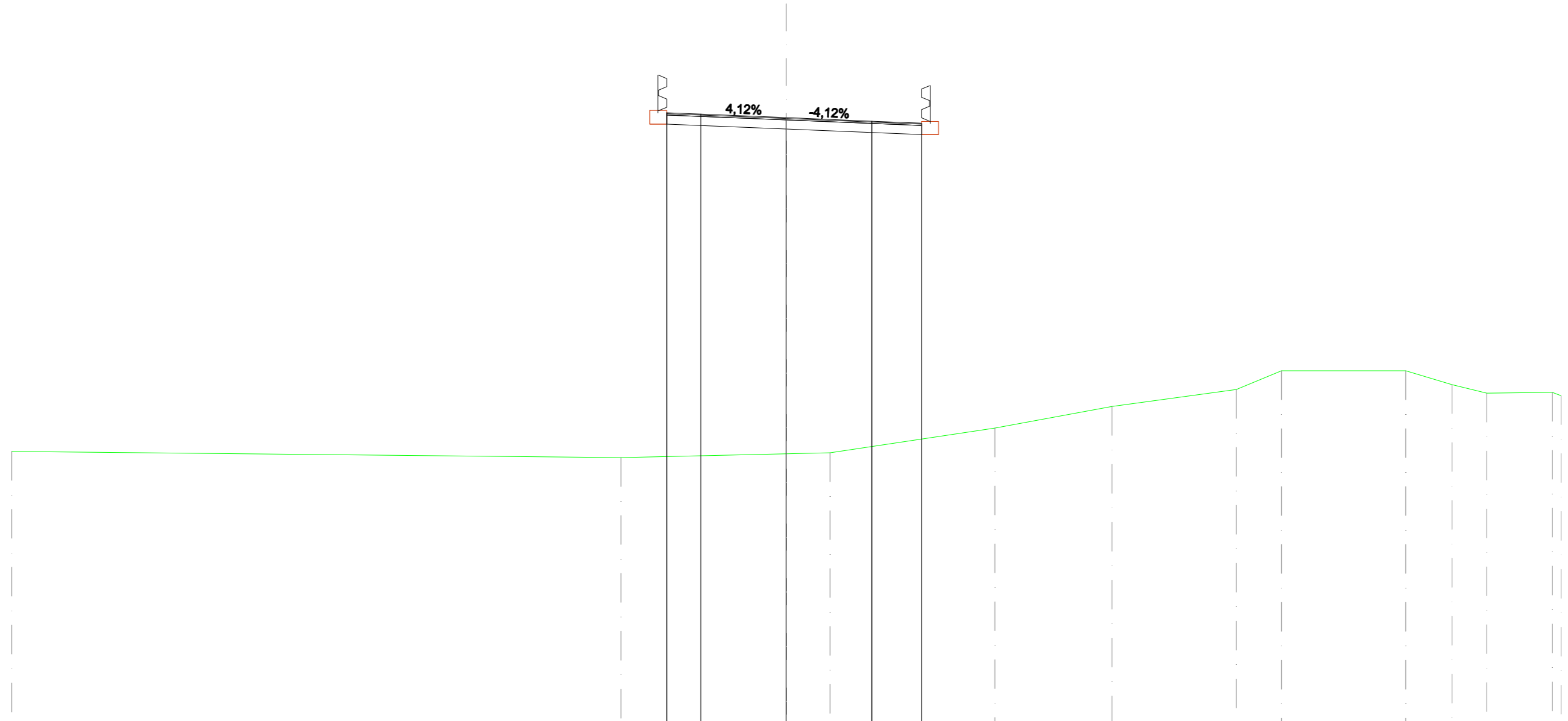


QUOTE TERRENO	32,409	32,302	32,979	33,987 34,090	34,693	34,967	35,736	35,736	34,978	34,789 34,507	34,000	32,664	32,674 33,000	32,000 32,000
DIST. PARZIALI TERRENO	7,854	20,144	6,002	0,614 4,024	2,403	2,132	4,570	3,864	3,476	1,896 1,578	1,577	0,775 6,068	0,711	
DIST. PROGR. TERRENO	-34,000	-26,146	-6,002	0,000 0,614	-4,638	-7,041	-9,173	-13,743	-17,607	-21,082 -21,394	-23,290	-24,869	-26,446 -27,221	-33,289 -34,000
QUOTE STRATO SUP.			47,063 47,103 47,041	46,886	46,731	46,601 46,641								
DIST. PARZIALI STRATO SUP.			1,500 3,750	3,750	2,180									
DIST. PROGR. STRATO SUP.			-5,250 -3,750	0,000	-3,750	-5,930								

SEZIONE N.: 511  
 QT. PROGETTO: 46,817  
 DIST.PROG.: 11150,000  
 DIST.PREC.: 25,000  
 DIST.SUCC.: 25,000

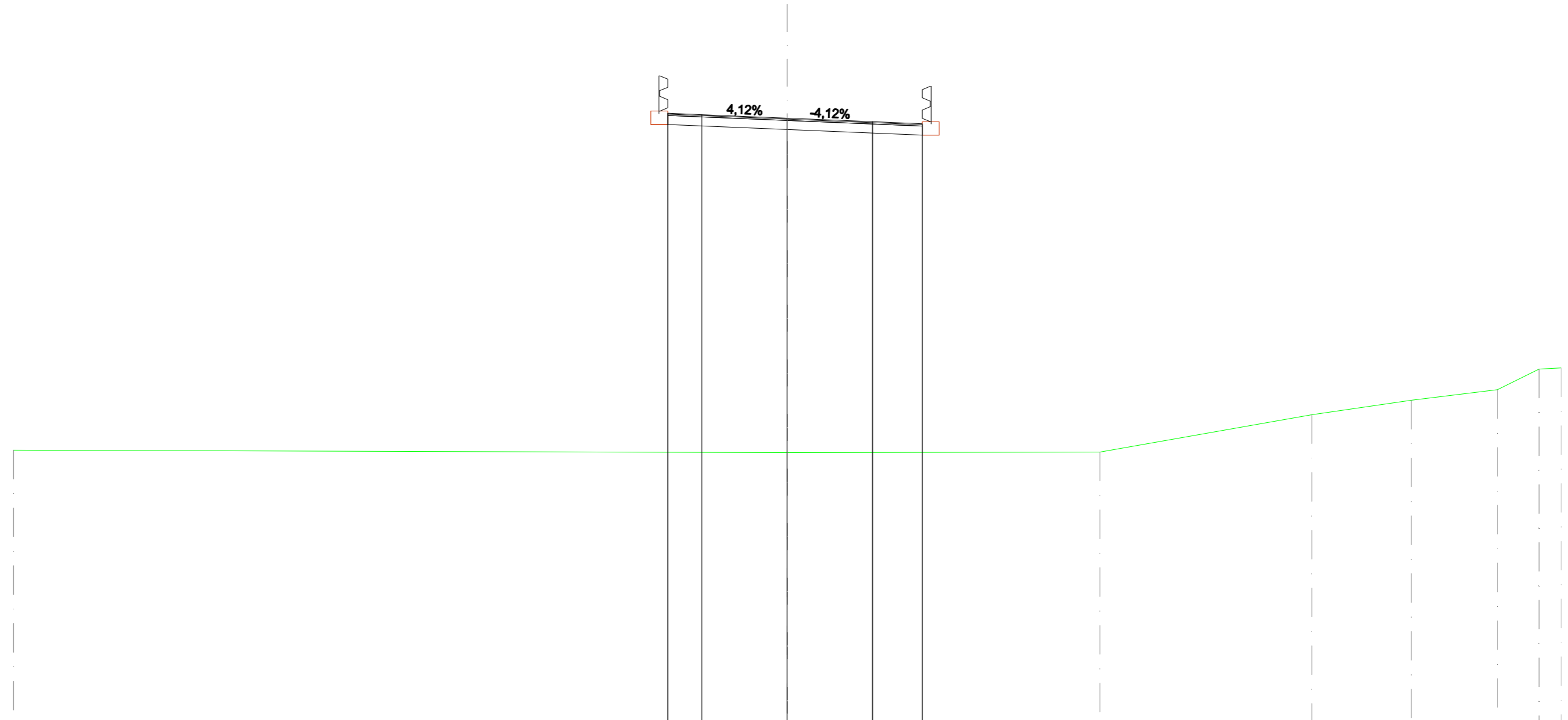
SCALA 1:200

QT.RIF. 20,000



QUOTE TERRENO	-32,177	-31,900	-32,072	-32,117	-33,201	-34,151	-34,890	-35,712	-35,710	-35,100	-34,727	-34,765	-34,618
DIST. PARZIALI TERRENO		26,738	7,262	1,917	7,232	5,137	5,465	1,980	5,455	2,031	1,522	2,879	
DIST. PROGR. TERRENO	-34,000	-7,262	0,000	1,917	9,148	14,286	19,750	21,731	27,186	29,217	30,740	33,619	34,000
QUOTE STRATO SUP.			46,994	46,817	46,863	46,533							
DIST. PARZIALI STRATO SUP.			1,500	3,750	3,750	2,180							
DIST. PROGR. STRATO SUP.		-5,250	-3,750	0,000	3,750	5,930							

SEZIONE N.: 512  
 QT. PROGETTO: 46,678  
 DIST.PROG.: 11175,000  
 DIST.PREC.: 25,000  
 DIST.SUCC.: 25,000

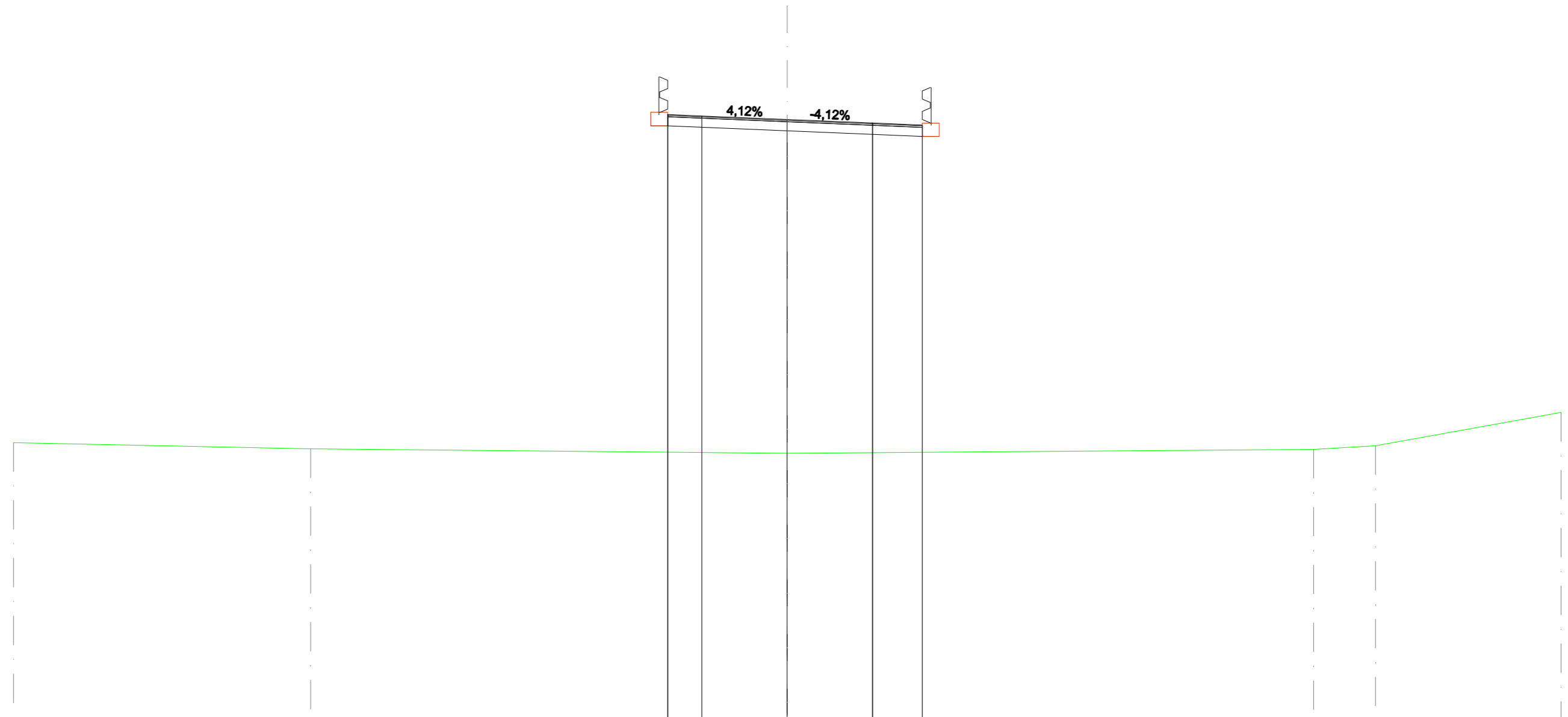


SCALA 1:200

QT.RIF. 20,000

QUOTE TERRENO	32,080			31,967			32,000		33,639	34,276	34,743	35,644	35,696
DIST. PARZIALI TERRENO		34,000			13,737			9,315	4,357	3,793	1,830	0,987	
DIST. PROGR. TERRENO	-34,000			0,000			-13,737		-23,052	-27,410	-31,203	-33,033	-34,000
QUOTE STRATO SUP.				46,854 46,894	46,832		46,678		46,523	46,393 46,433			
DIST. PARZIALI STRATO SUP.				1,500	3,750		3,750		2,180				
DIST. PROGR. STRATO SUP.				-5,250	-3,750		0,000		-3,750	-5,930			

SEZIONE N.: 513  
 QT. PROGETTO: 46,467  
 DIST.PROG.: 11200,000  
 DIST.PREC.: 25,000  
 DIST.SUCC.: 25,000



SCALA 1:200

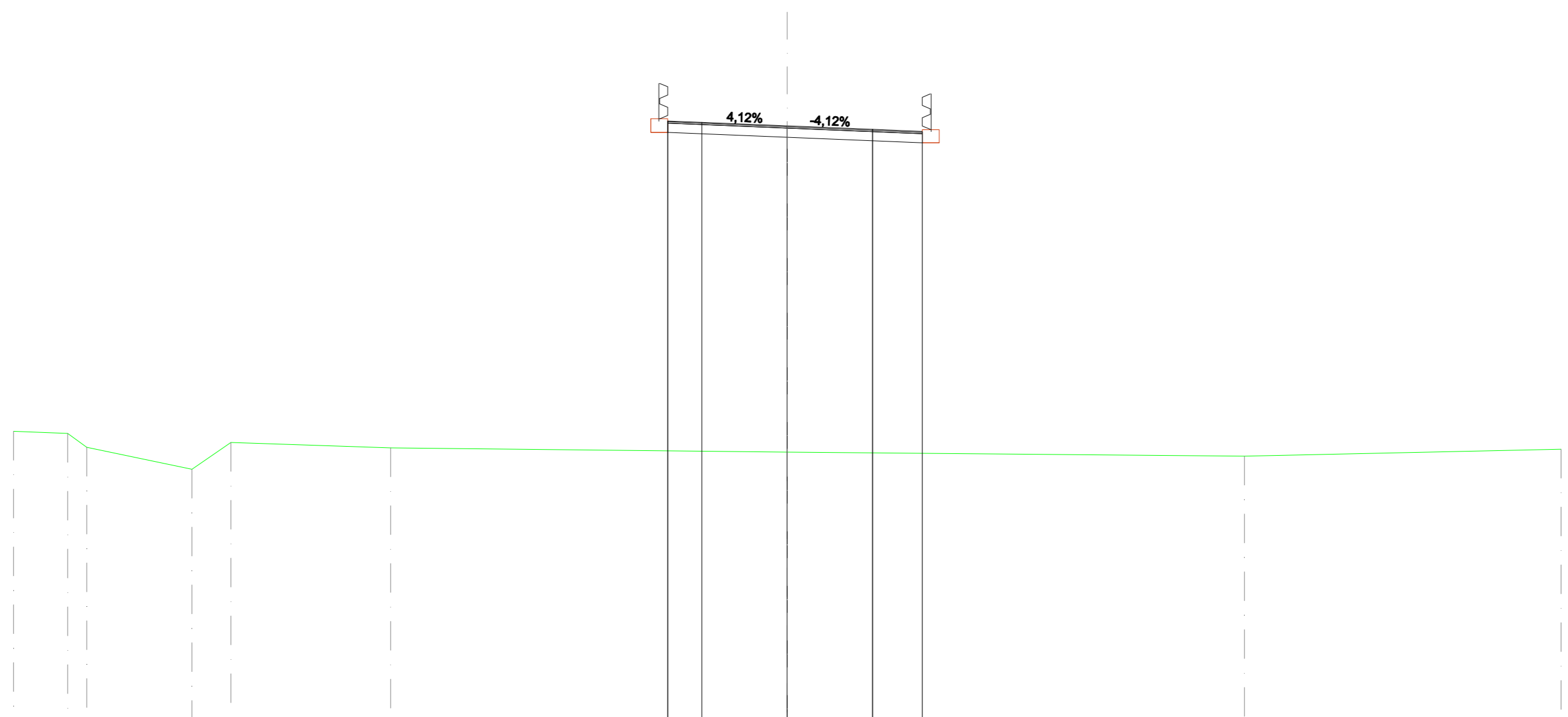
QT.RIF. 20,000

QUOTE TERRENO	32,271	32,000	31,802	31,975	32,133	33,594
DIST. PARZIALI TERRENO	13,060	20,940	23,128	2,718	8,154	
DIST. PROGR. TERRENO	-34,000	-20,940	0,000	-23,128	-25,846	-34,000
QUOTE STRATO SUP.			46,643 46,663 46,621	46,467	46,312	46,182 46,222
DIST. PARZIALI STRATO SUP.			1,500 3,750	3,750	2,180	
DIST. PROGR. STRATO SUP.			-5,250 -3,750	0,000	-3,750	-5,930

SEZIONE N.: 514  
 QT. PROGETTO: 46,185  
 DIST.PROG.: 11225,000  
 DIST.PREC.: 25,000  
 DIST.SUCC.: 25,000

SCALA 1:200

QT.RIF. 20,000

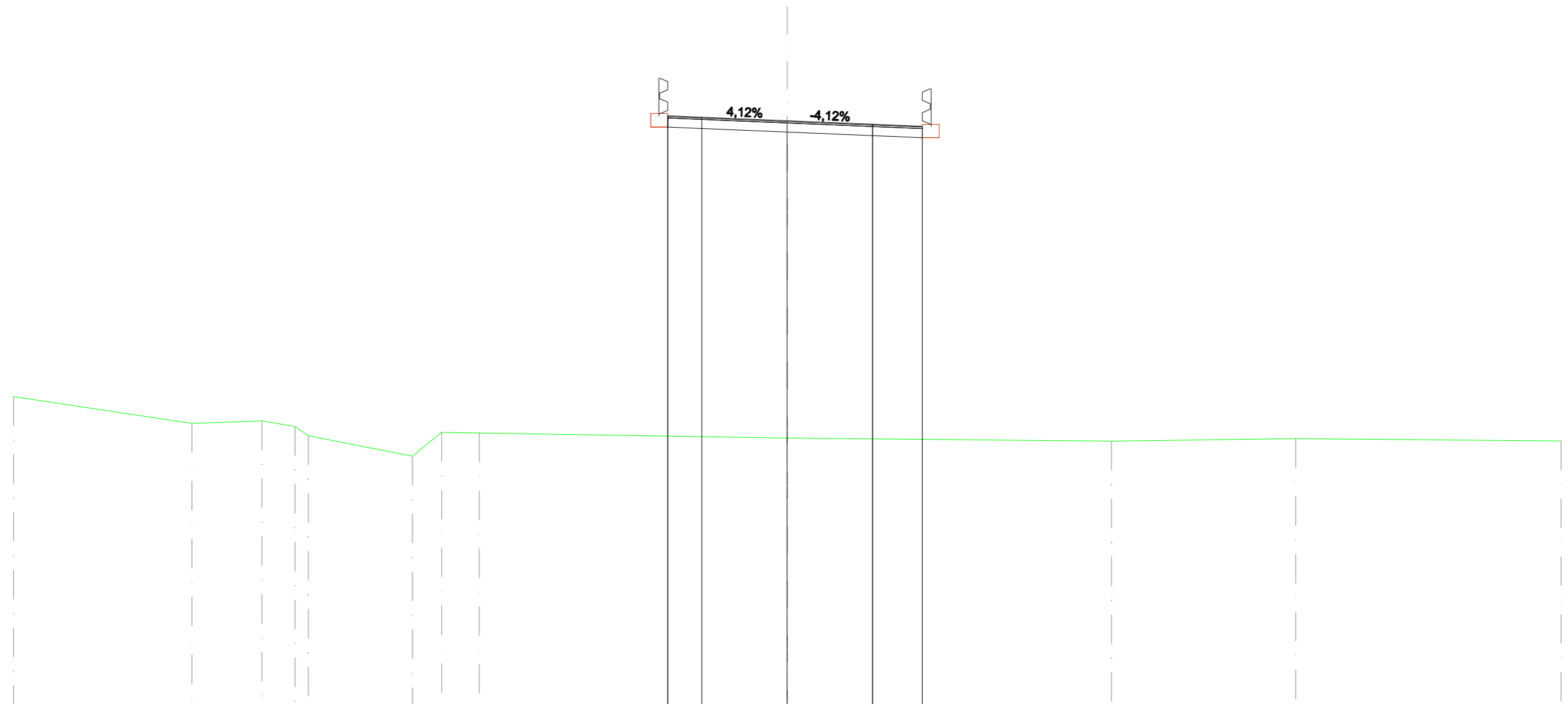


QUOTE TERRENO	32,765	32,674	32,067	31,097	32,272	32,042	31,853	31,672	31,979		
DIST. PARZIALI TERRENO	2,384	0,884	4,627	1,707	7,020	17,428	20,087	13,913			
DIST. PROGR. TERRENO	-34,000	-31,616	-30,782	-26,155	-24,448	-17,428	0,000	-20,087	-34,000		
QUOTE STRATO SUP.							46,362 46,402	46,340	46,185	46,030	45,900 45,940
DIST. PARZIALI STRATO SUP.							1,500	3,750	3,750	2,180	
DIST. PROGR. STRATO SUP.							-5,250	-3,750	0,000	3,750	5,930

SEZIONE N.: 515  
 QT. PROGETTO: 45,832  
 DIST. PROG.: 11250,000  
 DIST. PREC.: 25,000  
 DIST. SUCC.: 25,000

SCALA 1:200

QT.RIF. 20,000



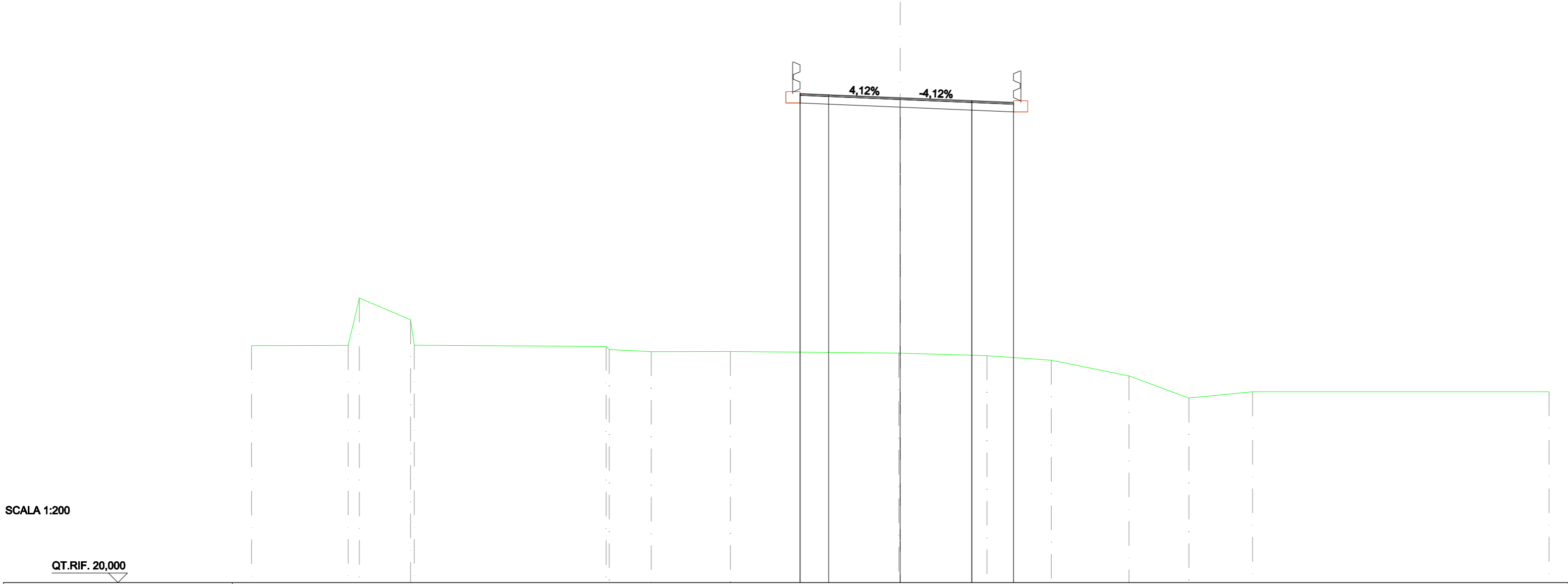
QUOTE TERRENO	33,718		32,536	32,650	32,406	32,000		31,097	32,146	32,117		31,895		31,755		31,871		31,765		
DIST. PARZIALI TERRENO		7,840		3,077	1,459	0,584		4,573	1,288	1,644		13,535		14,246		8,093		11,661		
DIST. PROGR. TERRENO	-34,000		-26,160	-23,083	-21,623	-21,040		-16,467	-15,180	-13,535		0,000		-14,246		-22,339		-34,000		
QUOTE STRATO SUP.												46,009	46,049	45,987		45,832		45,677	45,548	45,588
DIST. PARZIALI STRATO SUP.												1,500	3,750	3,750	2,180					
DIST. PROGR. STRATO SUP.												-5,250	-3,750	0,000	3,750	5,930				



SEZIONE N.: 516  
 QT. PROGETTO: 45,408  
 DIST. PROG.: 11275,000  
 DIST. PREC.: 25,000  
 DIST. SUCC.: 25,000

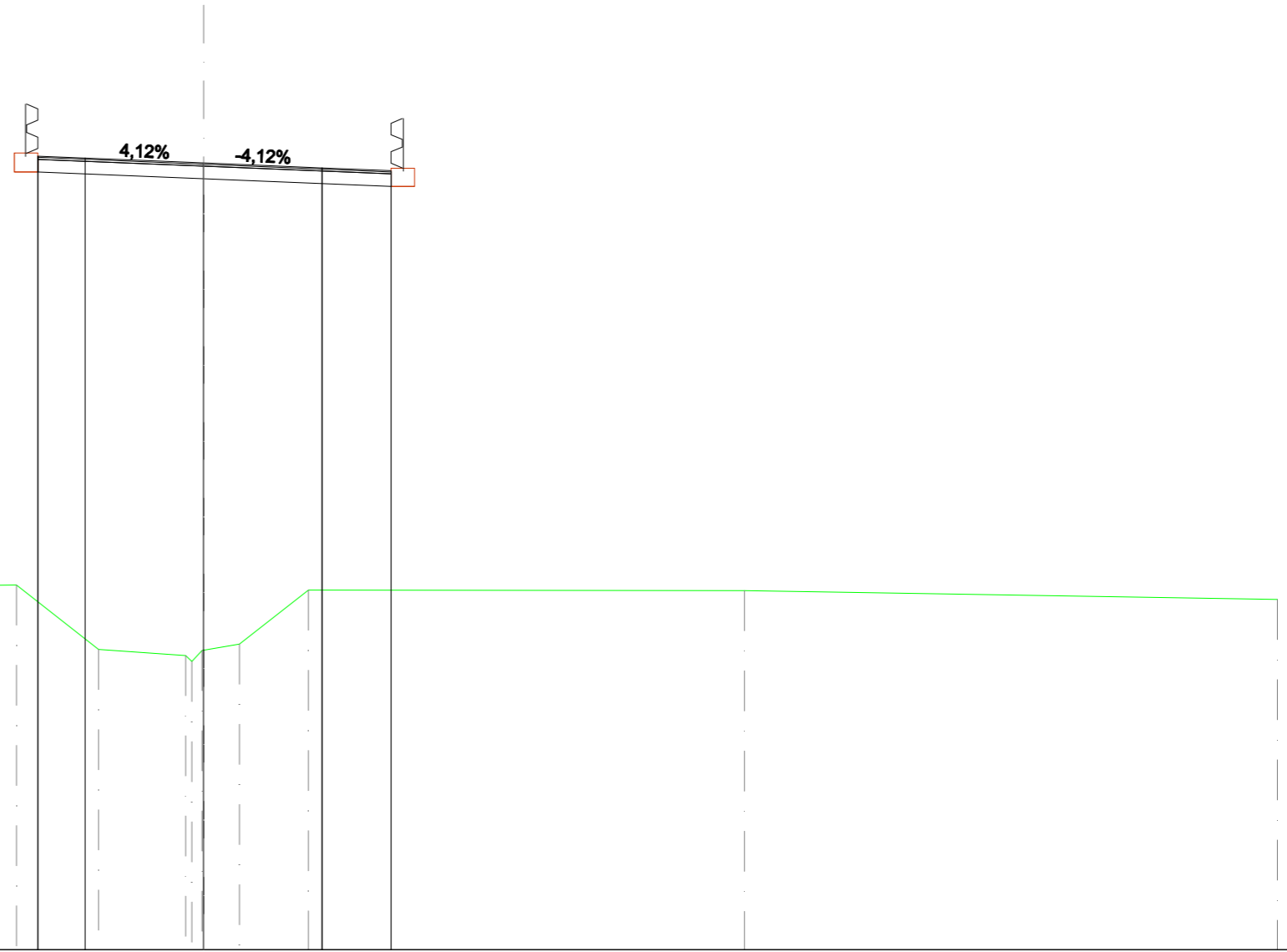
SCALA 1:200

QT.RIF. 20,000



QUOTE TERRENO	32,407	32,429 34,913	33,768 32,439	32,373 32,208	32,098	32,105	32,020 32,018	31,888	31,650	30,831	29,669	30,000	30,000
DIST. PARZIALI TERRENO	5,068	0,582 2,686	10,055	2,204 4,146	8,827	4,545	3,367	4,078	3,137	3,340	15,533		
DIST. PROGR. TERRENO	-34,000	-28,932 -28,349	-25,663 -25,470	-15,414 -15,252	-13,048	-8,902	-0,075 0,000	-4,545	-7,912	-11,990	-15,127	-18,467	-34,000
QUOTE STRATO SUP.							45,585 45,625 45,563	45,408	45,254	45,124 45,164			
DIST. PARZIALI STRATO SUP.							1,500 3,750	3,750	2,180				
DIST. PROGR. STRATO SUP.							-5,250 -3,750	0,000	-3,750	-5,930			

SEZIONE N.: 517  
 QT. PROGETTO: 44,913  
 DIST. PROG.: 11300,000  
 DIST. PREC.: 25,000  
 DIST. SUCC.: 25,000

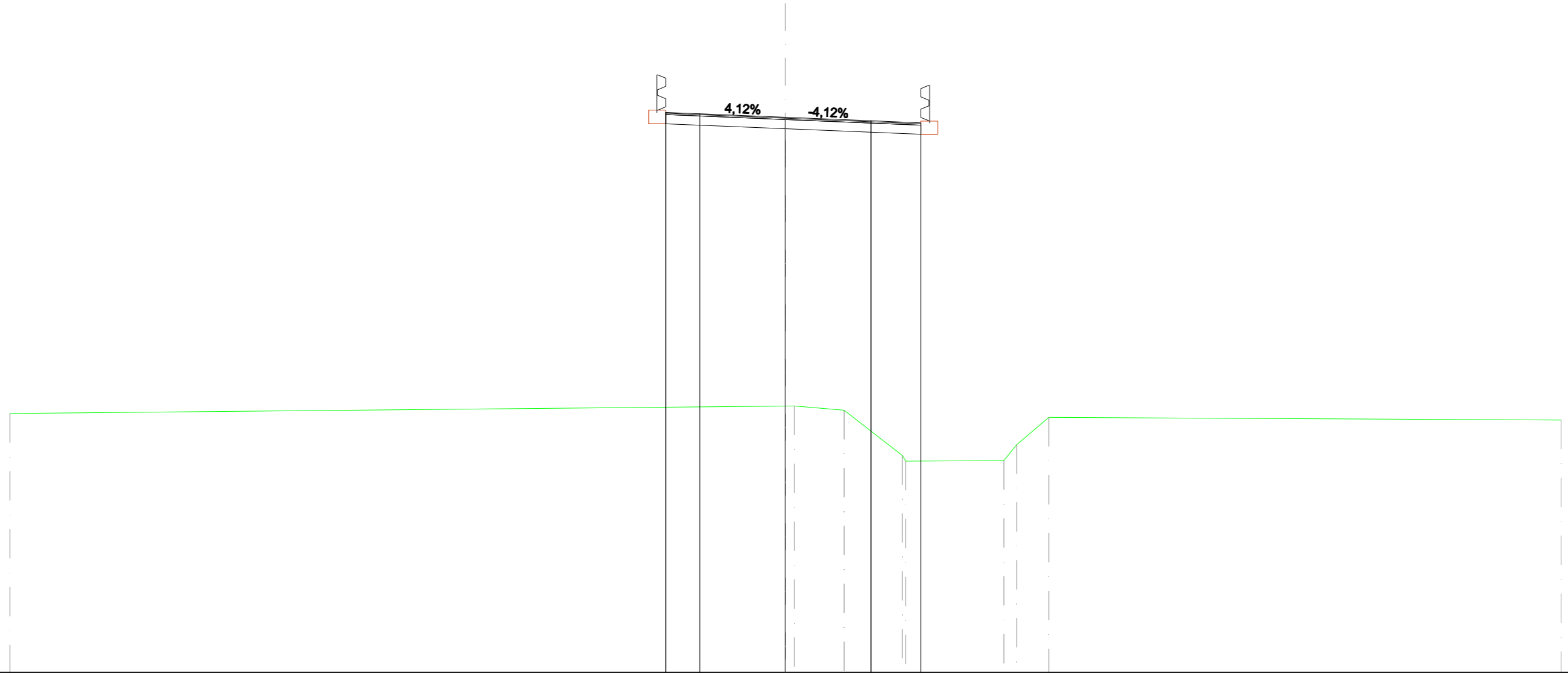


SCALA 1:200

QT.RIF. 20,000

QUOTE TERRENO	31,364	31,350	31,548	29,507	29,316	29,126	29,474	29,483	29,674	31,389	31,369	31,087
DIST. PARZIALI TERRENO		12,192		15,878	2,596	2,764	1,130	2,185		13,813		16,872
DIST. PROGR. TERRENO	-34,000	-21,808	-5,929	-3,333	-0,569	-0,372	-0,055	0,000	1,130	3,315	17,128	34,000
QUOTE STRATO SUP.			45,090	45,130	45,068	44,913	44,759	44,629	44,669			
DIST. PARZIALI STRATO SUP.			1,500	3,750	3,750	2,180						
DIST. PROGR. STRATO SUP.			-5,250	-3,750	0,000	3,750	5,930					

SEZIONE N.: 518  
 QT. PROGETTO: 44,348  
 DIST.PROG.: 11325,000  
 DIST.PREC.: 25,000  
 DIST.SUCC.: 25,000



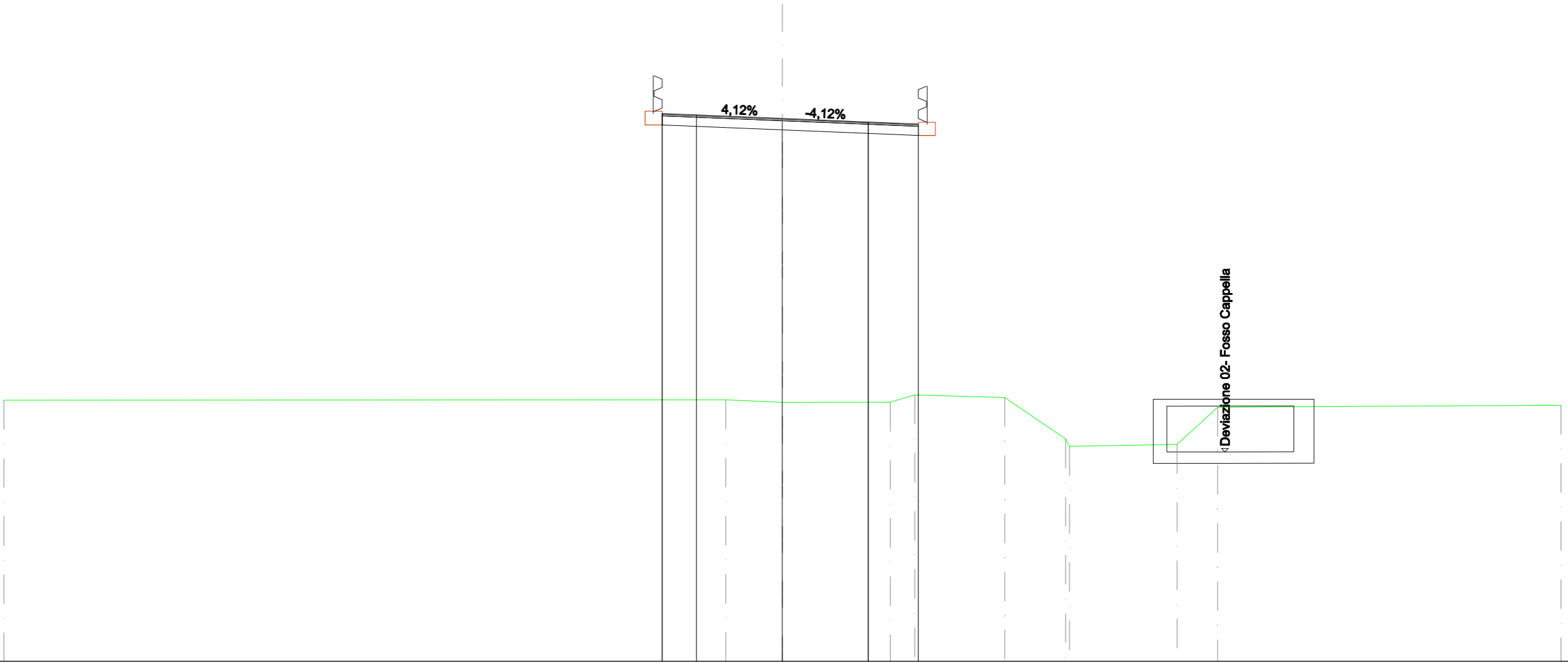
SCALA 1:200

QT.RIF. 20,000

QUOTE TERRENO	31,354					31,681 31,685	31,497	29,503 29,263	29,287 29,989	31,179	31,066
DIST. PARZIALI TERRENO		34,000				2,176	2,558	4,303	0,588 1,404		22,451
DIST. PROGR. TERRENO	-34,000					0,000 0,396	-2,572	5,131 5,273	-9,576 -10,145	-11,549	-34,000
QUOTE STRATO SUP.						44,524 44,564 44,502	44,348	44,193	44,063 44,103		
DIST. PARZIALI STRATO SUP.						1,500	3,750	3,750	2,180		
DIST. PROGR. STRATO SUP.						-5,250	-3,750	0,000	-3,750	5,930	

SCALA 1:200

QT.RIF. 20,000

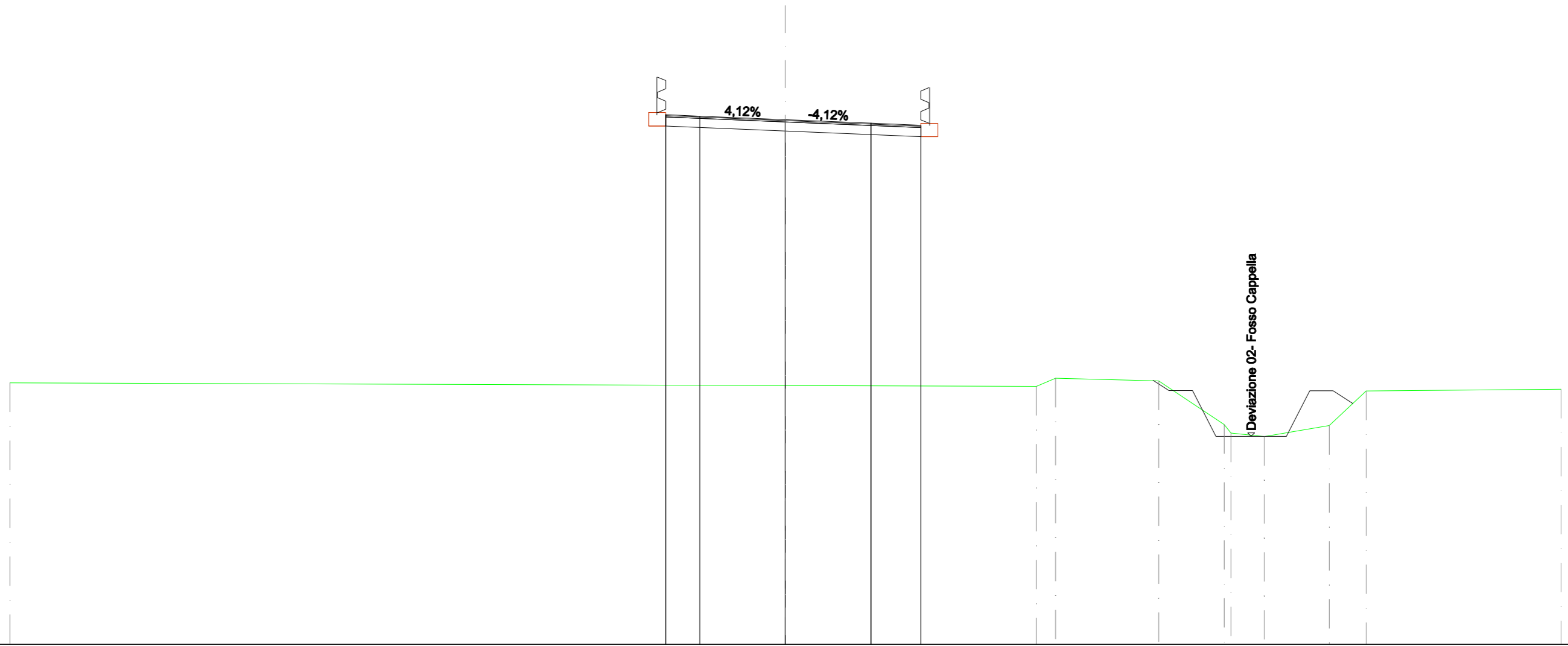


QUOTE TERRENO	31,400			31,423	31,307	31,319	31,636	31,523	29,706 29,389	29,472	31,098	31,186
DIST. PARZIALI TERRENO		31,527		2,473	4,717	1,065	3,928	2,660	4,698	1,767	14,998	
DIST. PROGR. TERRENO	-34,000			-2,473	0,000	4,717	5,782	9,710	12,369 12,536	17,234	19,002	34,000
QUOTE STRATO SUP.				43,887 43,927	43,865	43,711	43,556	43,426 43,466				
DIST. PARZIALI STRATO SUP.				1,500	3,750	3,750	2,180					
DIST. PROGR. STRATO SUP.				-5,250	-3,750	0,000	3,750	5,930				

SEZIONE N.: 520  
 QT. PROGETTO: 43,003  
 DIST.PROG.: 11375,000  
 DIST.PREC.: 25,000  
 DIST.SUCC.: 25,000

SCALA 1:200

QT.RIF. 20,000



QUOTE TERRENO	31,460				31,345					31,312	31,663		31,548	29,637	29,261	29,110	29,593	31,104		31,187	
DIST. PARZIALI TERRENO		34,000				11,002				0,837	4,521		2,876		1,471	2,844	1,617		8,541		
DIST. PROGR. TERRENO	-34,000				0,000					-11,002	-11,838		-16,360	-19,235	-19,528	-20,999	-23,843	-25,459		-34,000	
QUOTE STRATO SUP.					43,003				43,179	43,219	43,157		42,848							42,718	42,758
DIST. PARZIALI STRATO SUP.									1,500	3,750	3,750		2,180								
DIST. PROGR. STRATO SUP.					0,000				-5,250	-3,750			-3,750							5,930	

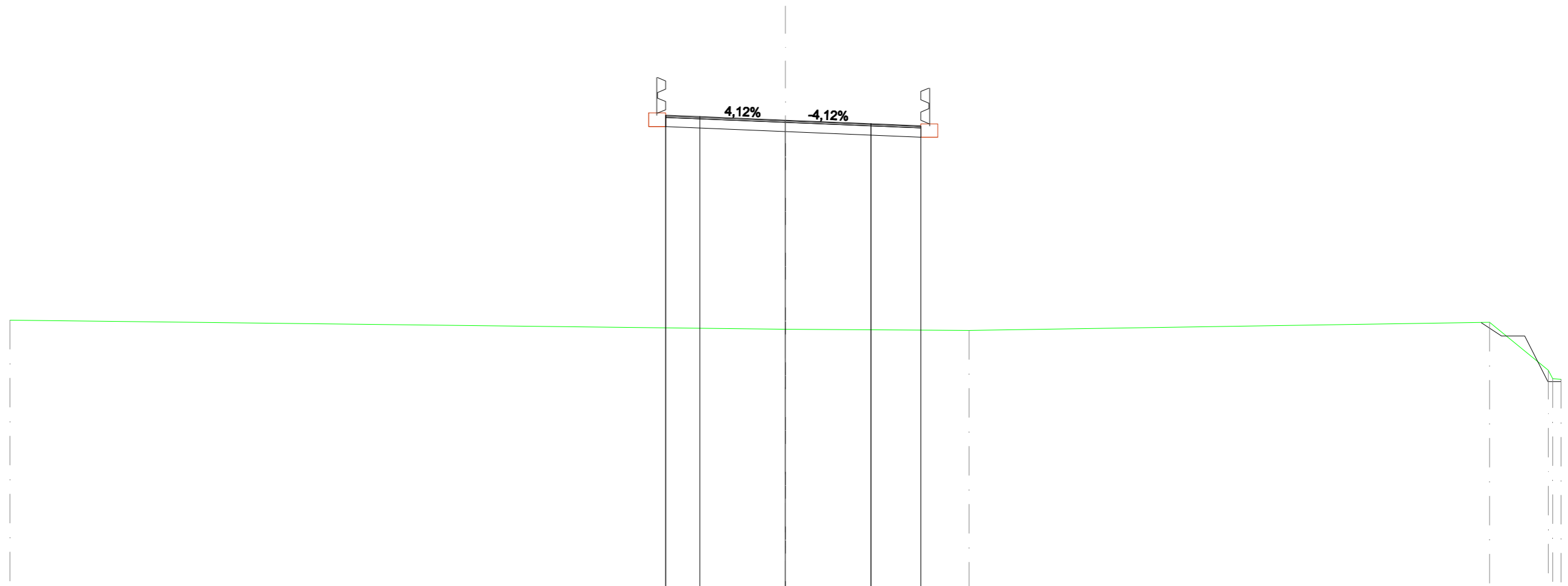




SEZIONE N.: 523  
 QT. PROGETTO: 40,525  
 DIST.PROG.: 11450,000  
 DIST.PREC.: 25,000  
 DIST.SUCC.: 25,000

SCALA 1:200

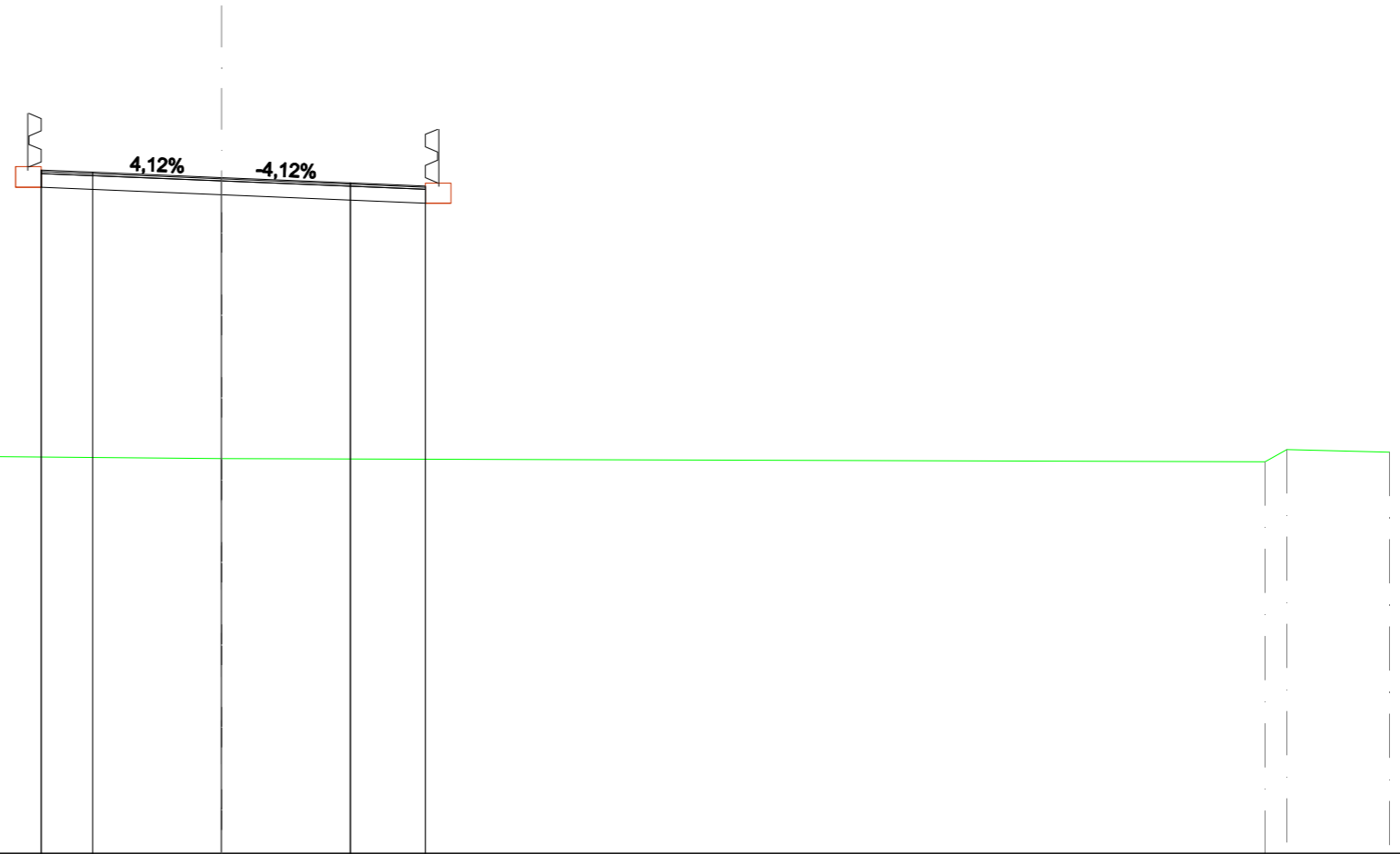
QT.RIF. 20,000



QUOTE TERRENO	31,755				31,365				31,312				31,663	29,568	29,194	29,165
DIST. PARZIALI TERRENO		34,000				8,047				22,820			2,577			
DIST. PROGR. TERRENO	-34,000				0,000				-8,047				-30,866	33,443	33,636	34,000
QUOTE STRATO SUP.					40,702	40,742	40,680		40,525		40,371	40,241	40,281			
DIST. PARZIALI STRATO SUP.					1,500	3,750		3,750		2,180						
DIST. PROGR. STRATO SUP.					-5,250	-3,750		0,000		-3,750		5,930				



SEZIONE N.: 524  
 QT. PROGETTO: 39,670  
 DIST.PROG.: 11475,000  
 DIST.PREC.: 25,000  
 DIST.SUCC.: 22,243



SCALA 1:200

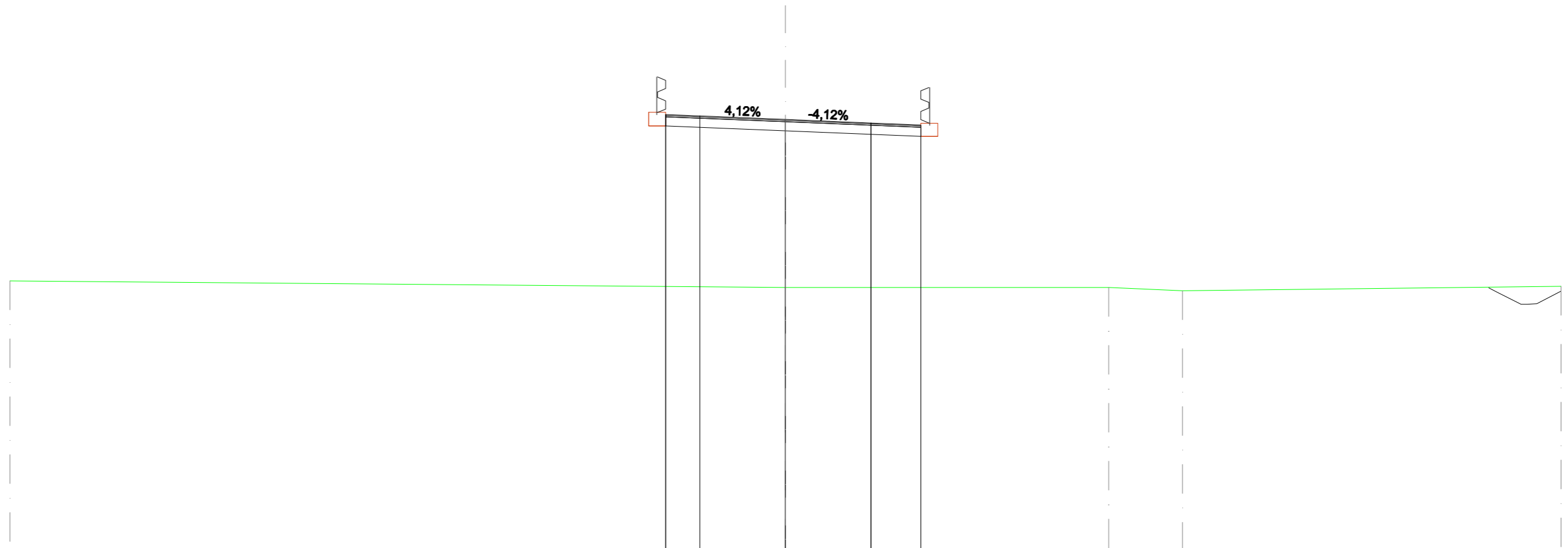
QT.RIF. 20,000

QUOTE TERRENO	31,789			31,489					31,393	31,751	31,676	
DIST. PARZIALI TERRENO		34,000						30,378	0,680	2,992		
DIST. PROGR. TERRENO	-34,000			0,000					30,378	31,008	34,000	
QUOTE STRATO SUP.						39,847	39,887	39,825	39,670	39,515	39,365	39,425
DIST. PARZIALI STRATO SUP.						1,500	3,750	3,750	2,180			
DIST. PROGR. STRATO SUP.						-5,250	-3,750	0,000	3,750	5,930		

SEZIONE N.: 525  
 QT. PROGETTO: 38,909  
 DIST.PROG.: 11497,243  
 DIST.PREC.: 22,243  
 DIST.SUCC.: 0,010

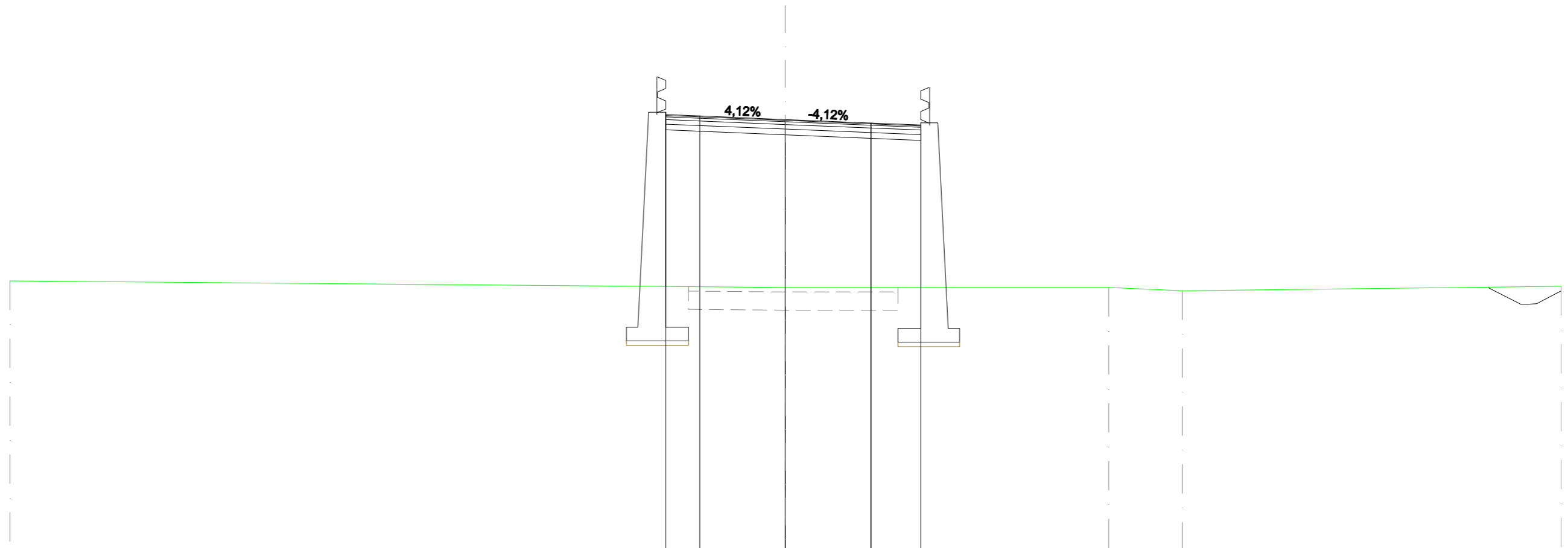
SCALA 1:200

QT.RIF. 20,000



QUOTE TERRENO	31,827				31,543				31,538	31,397		31,587	
DIST. PARZIALI TERRENO		34,000				14,170			3,231		16,599		
DIST. PROGR. TERRENO	-34,000				0,000				-14,170	-17,401		-34,000	
QUOTE STRATO SUP.					39,086	39,126	39,064		38,909		38,755	38,625	38,665
DIST. PARZIALI STRATO SUP.					1,500	3,750		3,750		2,180			
DIST. PROGR. STRATO SUP.					-5,250	-3,750		0,000		-3,750		5,930	

SEZIONE N.: 526  
 QT. PROGETTO: 38,909  
 DIST.PROG.: 11497,253  
 DIST.PREC.: 0,010  
 DIST.SUCC.: 11,323

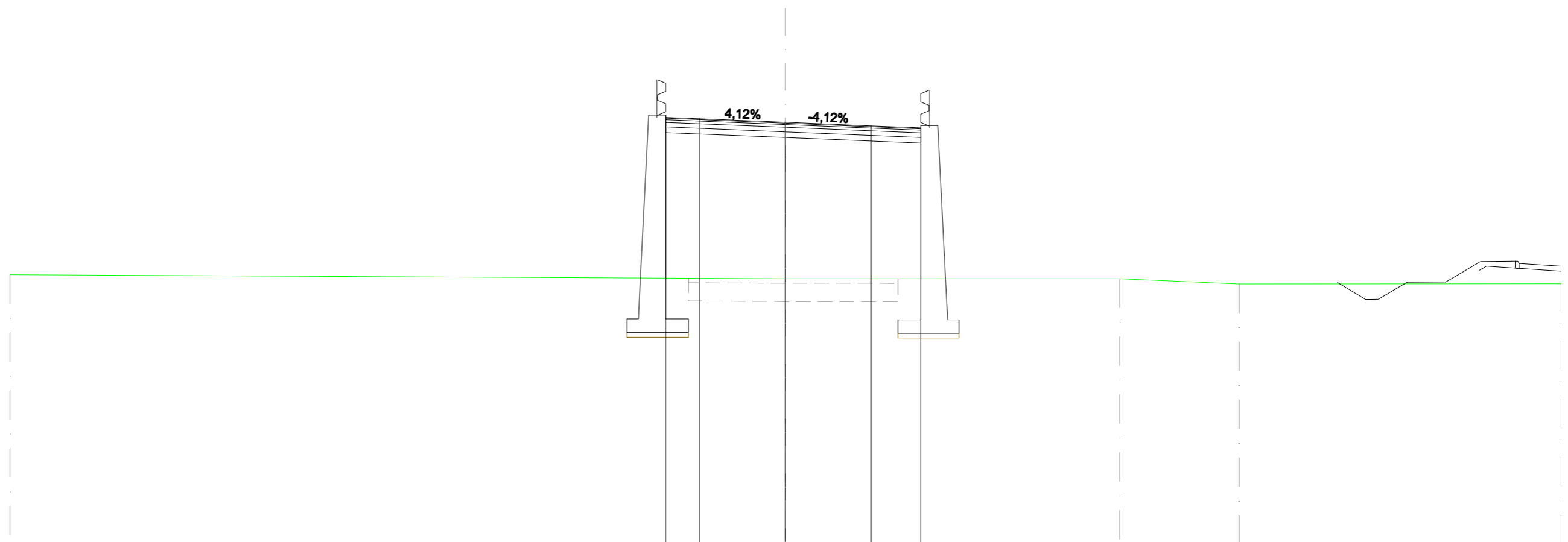


SCALA 1:200

QT.RIF. 20,000

QUOTE TERRENO	31,827			31,543			31,539	31,397		31,587
DIST. PARZIALI TERRENO		34,000			14,171		3,233		16,596	
DIST. PROGR. TERRENO	-34,000			0,000			-14,171	-17,404		-34,000
QUOTE STRATO SUP.				39,125	39,064	38,909	38,754	38,664		
DIST. PARZIALI STRATO SUP.				1,500	3,750	3,750	2,180			
DIST. PROGR. STRATO SUP.				-5,250	-3,750	0,000	3,750	5,930		

SEZIONE N.: 527  
 QT. PROGETTO: 38,522  
 DIST.PROG.: 11508,576  
 DIST.PREC.: 11,323  
 DIST.SUCC.: 0,010



SCALA 1:200

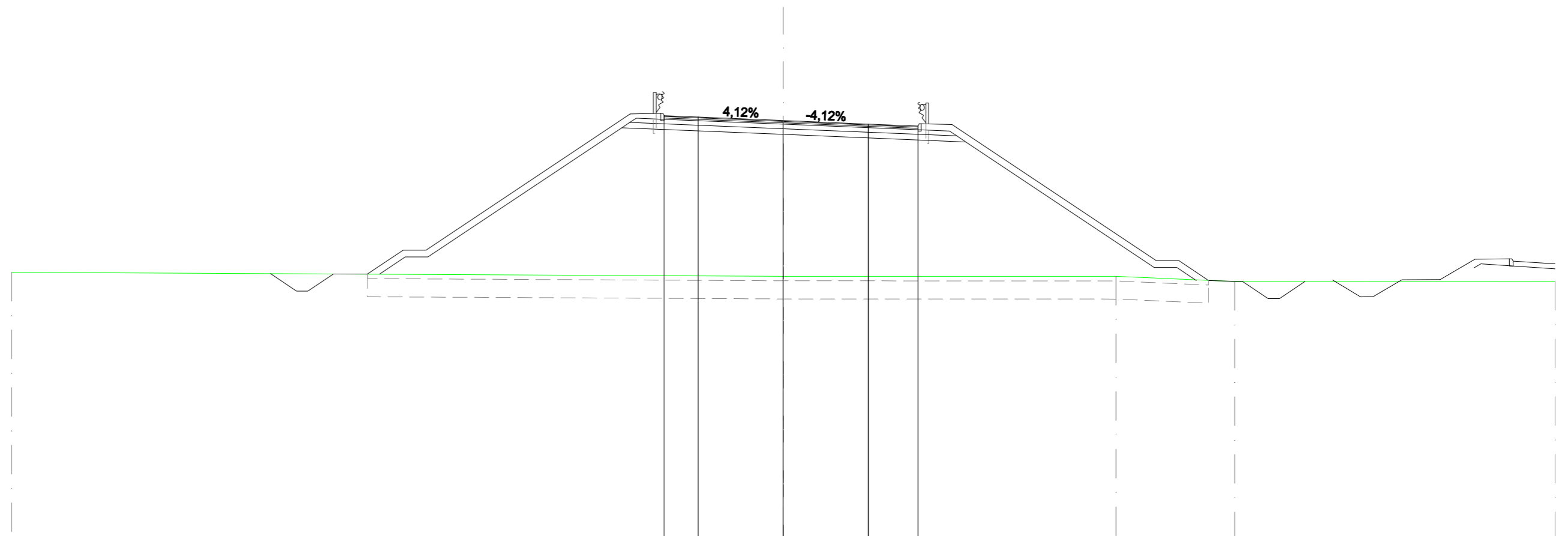
QT.RIF. 20,000

QUOTE TERRENO	31,839			31,660			31,654		31,425		31,439
DIST. PARZIALI TERRENO		34,000				14,651		5,233		14,116	
DIST. PROGR. TERRENO	-34,000			0,000			-14,651		-19,884		-34,000
QUOTE STRATO SUP.				38,738	38,676	38,522	38,367	38,277			
DIST. PARZIALI STRATO SUP.				1,500	3,750	3,750	2,180				
DIST. PROGR. STRATO SUP.				-5,250	-3,750	0,000	-3,750	-5,930			

SEZIONE N.: 528  
 QT. PROGETTO: 38,521  
 DIST. PROG.: 11508,586  
 DIST. PREC.: 0,010  
 DIST. SUCC.: 16,414

SCALA 1:200

QT.RIF. 20,000



QUOTE TERRENO	31,839					31,661					31,654		31,425			31,439
DIST. PARZIALI TERRENO			34,000						14,651		5,235		14,114			
DIST. PROGR. TERRENO	-34,000					0,000					-14,651		-19,886			-34,000
QUOTE STRATO SUP.		31,779 31,757 31,007 31,007 31,757	31,757	32,811 32,811		38,811	38,518 38,838 38,738 38,518 38,876		38,521	38,367	38,057 38,277 38,057 38,377 38,350	32,350 32,350	31,475	31,425	30,875 30,875	31,428
DIST. PARZIALI STRATO SUP.		1,119 0,500 1,119 1,500 1,580 1,000			8,996	1,350	1,500 3,750		3,750	2,180	1,350		8,996		1,000 1,311 1,500 1,119 0,500 1,124	
DIST. PROGR. STRATO SUP.		-22,598 -22,565 -21,445 -20,945 -19,826	-18,326	-16,746 -15,746		-6,750	-5,400 -5,300 -5,250 -3,750		0,000	-3,750	5,930 5,980 6,080 7,430	-16,426 -17,426	-18,737	-20,237	-21,356 -21,856	-22,980

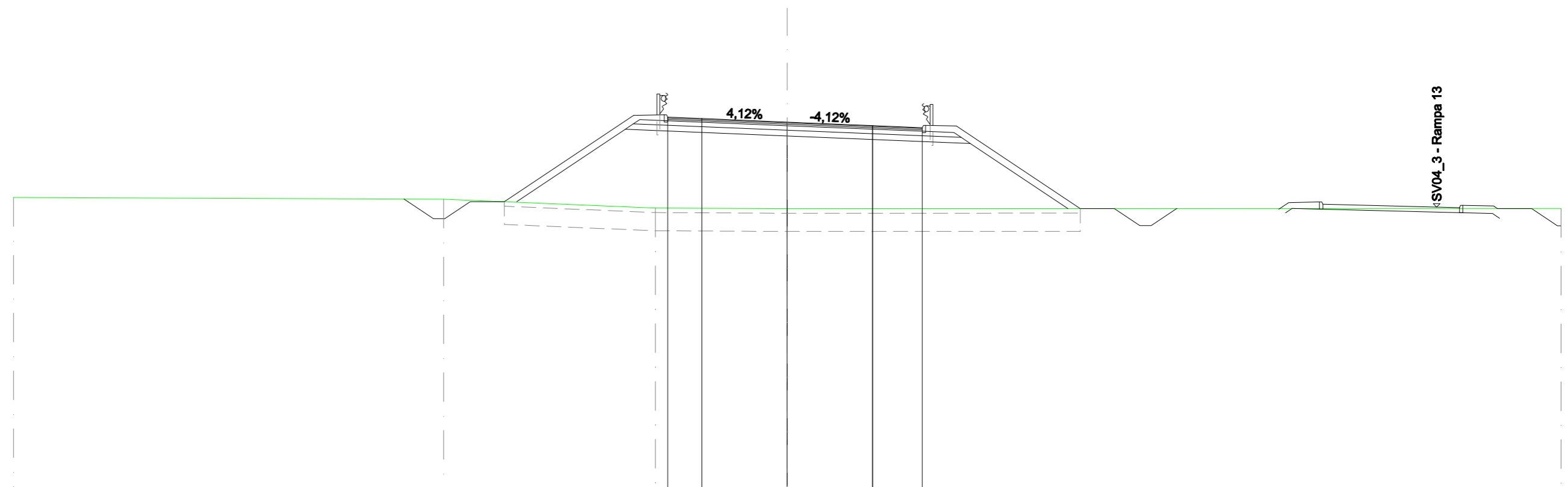




SEZIONE N.: 531  
 QT. PROGETTO: 36,250  
 DIST.PROG.: 11575,000  
 DIST.PREC.: 25,000  
 DIST.SUCC.: 25,000

SCALA 1:200

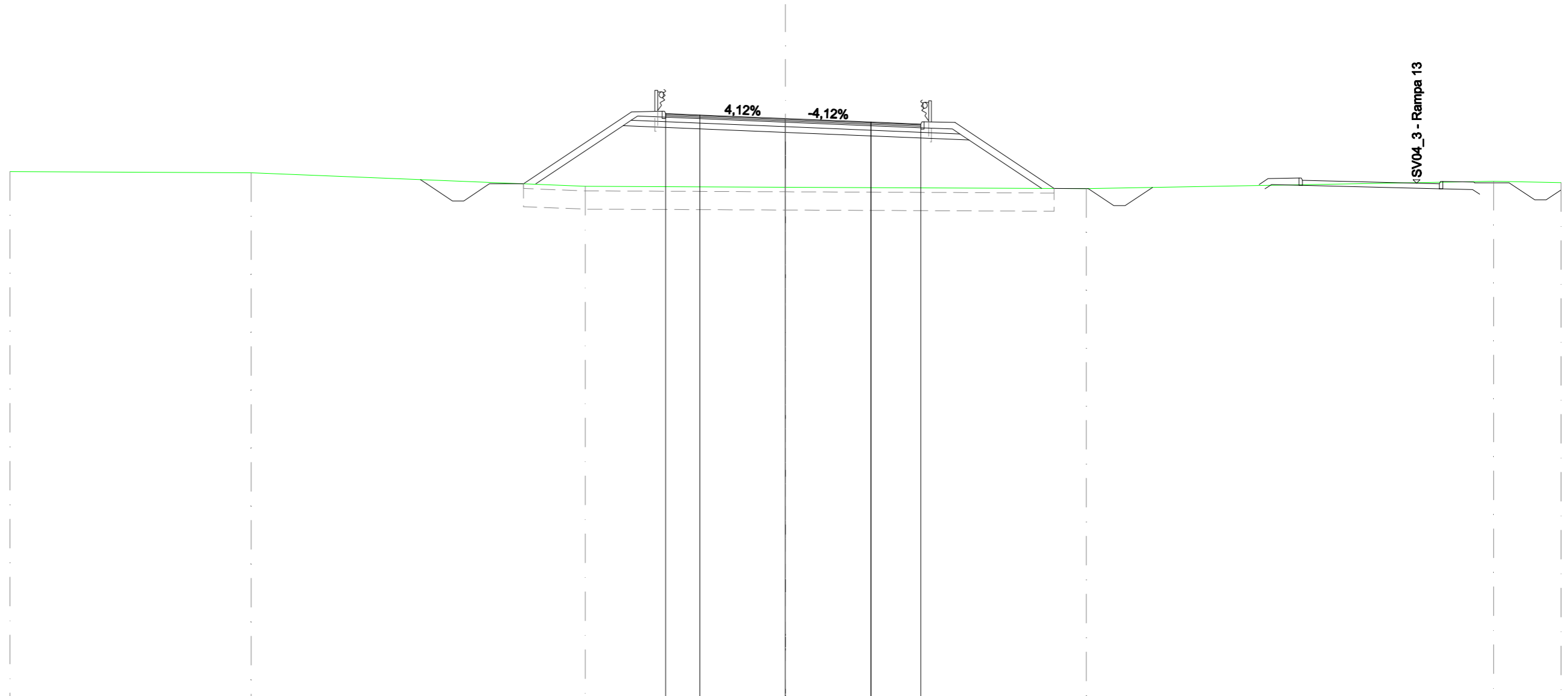
QT.RIF. 20,000



QUOTE TERRENO	32,932		32,864		32,472		32,442												32,457						
DIST. PARZIALI TERRENO		18,905		9,304		5,791		34,000																	
DIST. PROGR. TERRENO	-34,000		-15,095		-5,791		0,000												-34,000						
QUOTE STRATO SUP.			32,870 32,751		32,001 32,001		32,751 32,751		36,539		36,246 36,566 36,566 36,466 36,246 36,404		36,250		36,095		35,785 36,005 36,105 35,785 36,105 36,078		32,448		32,448		31,698 31,698		32,450
DIST. PARZIALI STRATO SUP.			1,119 0,500		1,119 1,500		5,679		1,350		1,500 3,750		3,750		2,180		1,350 5,443		1,500		1,119		0,500		1,121
DIST. PROGR. STRATO SUP.			-16,845 -16,668		-15,548 -15,048		-13,929 -12,429		-6,750		-5,400 -5,300 -5,250 -3,750		0,000		-3,750		5,930 5,980 6,080 7,430		-12,873		-14,373		-15,492 -15,992		-17,113



SEZIONE N.: 532  
 QT. PROGETTO: 35,435  
 DIST. PROG.: 11600,000  
 DIST. PREC.: 25,000  
 DIST. SUCC.: 25,000

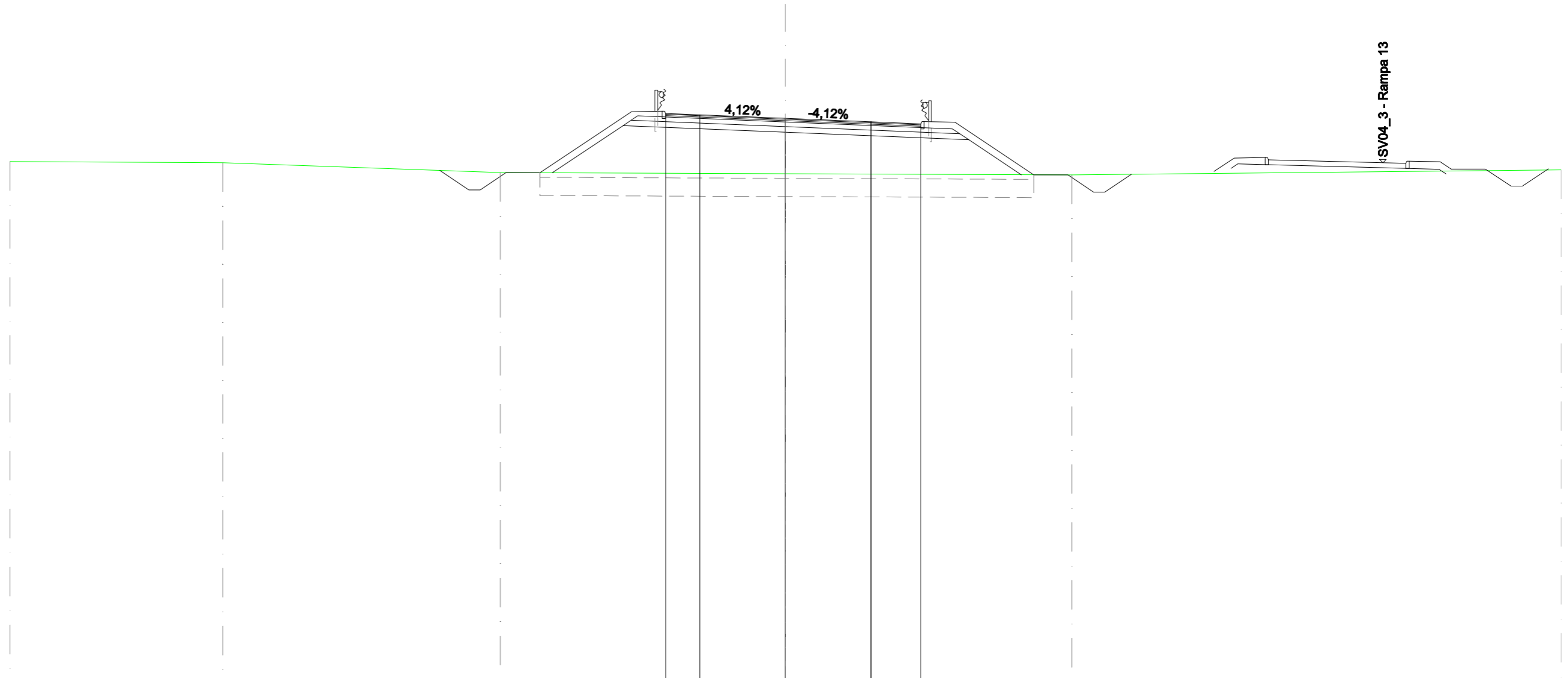


SCALA 1:200

QT.RIF. 10,000

QUOTE TERRENO	33,101	33,053	32,458	32,420	32,359	32,680	32,619		
DIST. PARZIALI TERRENO	10,576	14,647	8,778	13,190	17,853	2,958			
DIST. PROGR. TERRENO	-34,000	-23,424	-8,778	0,000	13,190	-31,042	-34,000		
QUOTE STRATO SUP.			32,751 32,568 31,818 31,818 32,568 32,568	35,724 35,431 35,751 35,651 35,431 35,569	35,435	35,280	34,970 35,190 35,290 34,970 35,290 35,263	32,365 32,360 31,610 31,610 32,411	
DIST. PARZIALI STRATO SUP.			1,119 0,500 1,119 1,500	4,732	1,350	1,500	1,119 0,500 1,195		
DIST. PROGR. STRATO SUP.			-15,996 -15,721 -14,602 -14,102 -12,982 -11,482	-6,750	-5,400 -6,300 -6,250 -3,750	0,000	-3,750	5,930 5,980 6,080 7,430	-11,774 -13,274 -14,993 -14,893 -16,089

SEZIONE N.: 533  
 QT. PROGETTO: 34,754  
 DIST.PROG.: 11625,000  
 DIST.PREC.: 25,000  
 DIST.SUCC.: 25,000

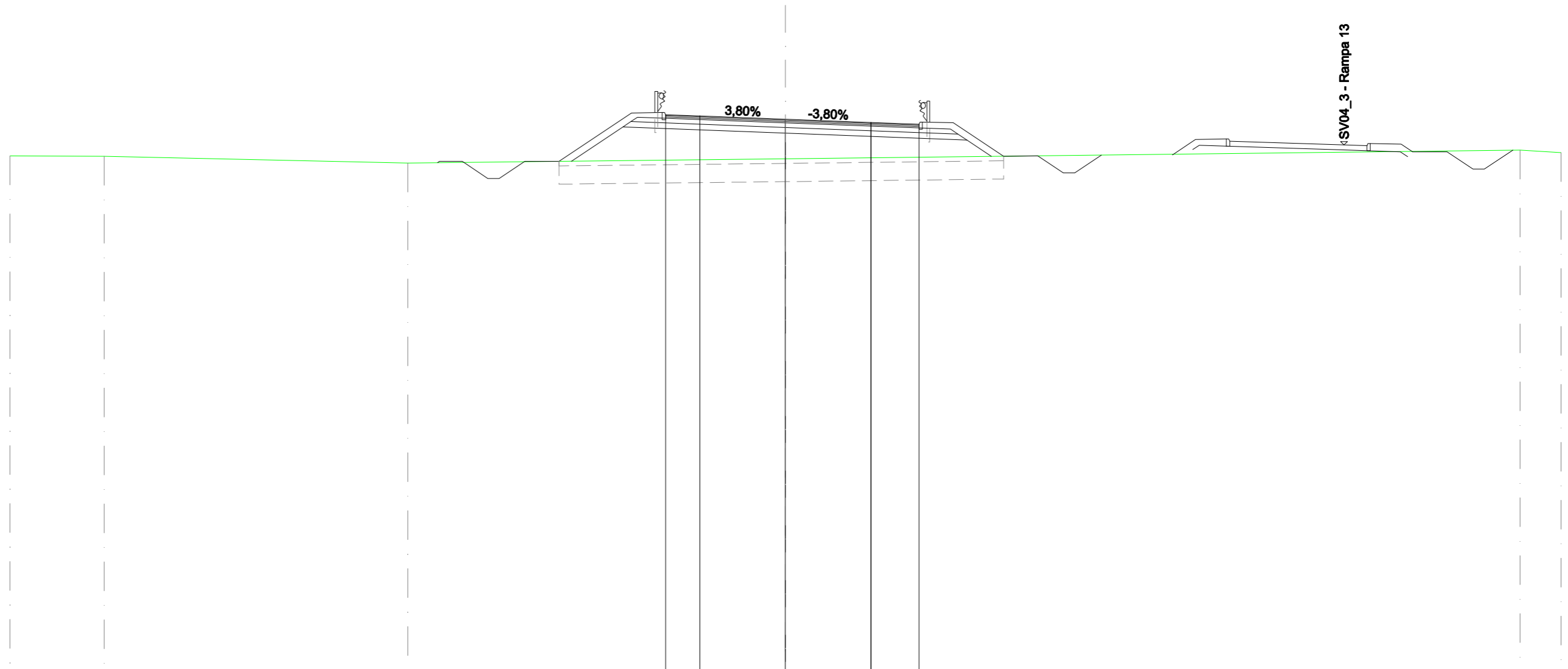


SCALA 1:200

QT.RIF. 10,000

QUOTE TERRENO	32,858	32,808	32,375	32,325	32,271	32,498
DIST. PARZIALI TERRENO	9,331	12,167	12,502	12,552	21,448	
DIST. PROGR. TERRENO	-34,000	-24,669	-12,502	0,000	12,552	34,000
QUOTE STRATO SUP.			32,469 32,368 31,618 32,368	35,044 34,751 35,071 34,971 34,751 34,909	34,754 34,600 34,290 34,510 34,610 34,290 34,610 34,583	32,278 32,272 31,522 31,522 32,299
DIST. PARZIALI STRATO SUP.			1,119 0,500 1,119 1,500	4,012 1,350 1,500	3,750 3,750 2,180 1,350 3,455	1,500 1,119 0,500 1,160
DIST. PROGR. STRATO SUP.			-15,153 -15,001 -13,881 -13,381 -12,262 -10,762	-6,750 -5,400 -5,300 -5,250 -3,750	0,000 -3,750 5,930 5,980 6,080 7,430	-10,885 -12,385 -13,505 -14,005 -15,164

SEZIONE N.: 534  
 QT. PROGETTO: 34,213  
 DIST. PROG.: 11650,000  
 DIST. PREC.: 25,000  
 DIST. SUCC.: 25,000

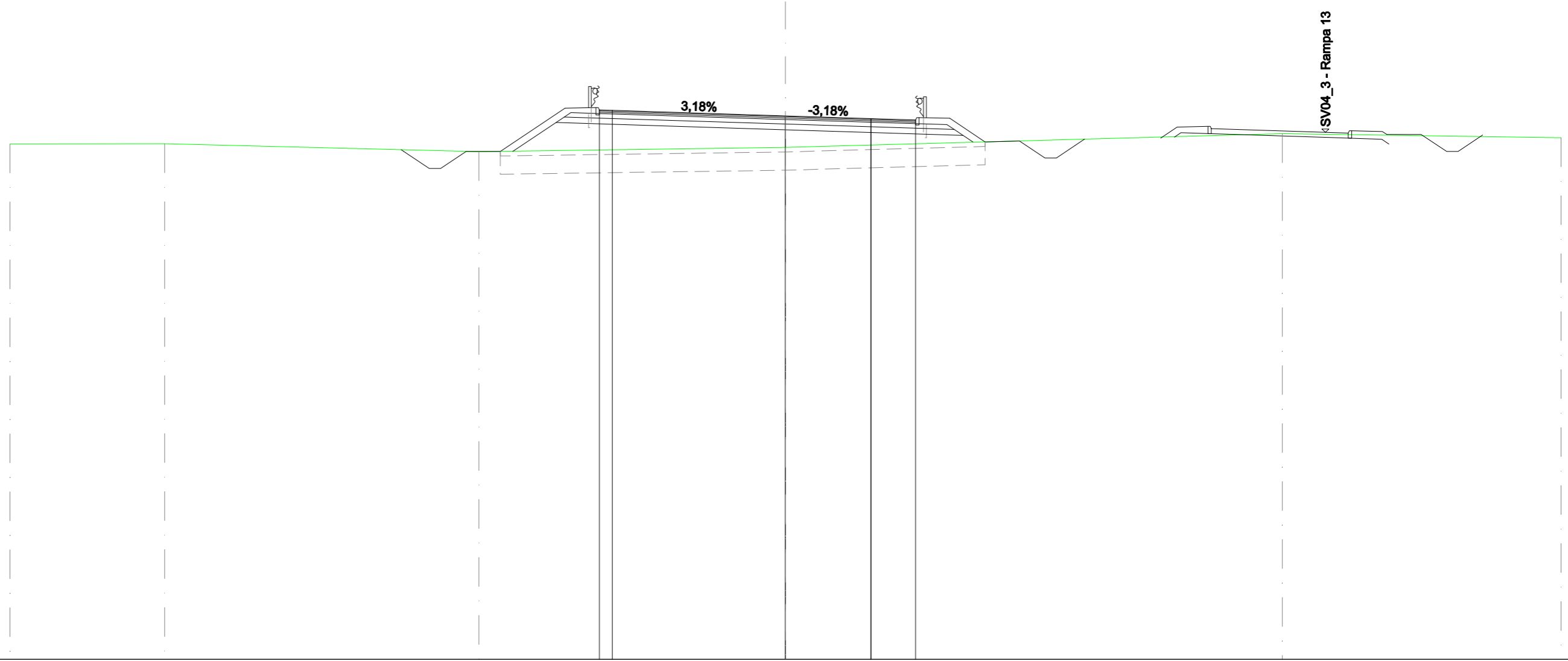


SCALA 1:200

QT.RIF. 10,000

QUOTE TERRENO	32,605	32,584	32,293	32,476	32,862	32,751									
DIST. PARZIALI TERRENO	4,137	13,307	16,556	32,206	1,794										
DIST. PROGR. TERRENO	-34,000	-29,863	-16,556	0,000	32,206	34,000									
QUOTE STRATO SUP.			32,307 32,366 32,366	31,616 31,616	32,366	32,366	34,485	34,192 34,512 34,512 34,412 34,192 34,355	34,213	34,071	33,771 33,991 34,091 33,771 34,091 34,064	32,591	32,609	31,859 31,859	32,642
DIST. PARZIALI STRATO SUP.			1,000 1,119 0,500 1,119	1,500	3,177	1,350	1,500	3,750	3,750	2,102	1,350 2,208	1,500	1,119	0,500 1,169	
DIST. PROGR. STRATO SUP.			-15,254 -15,166 -14,166	-13,047 -12,547	-11,427	-9,927	-6,750	-5,400 -5,300 -5,250 -3,750	0,000	-3,750	5,852 5,902 6,002 7,352	-9,561	-11,061	-12,180 -12,680	-13,850

SEZIONE N.: 535  
 QT. PROGETTO: 33,811  
 DIST. PROG.: 11675,000  
 DIST. PREC.: 25,000  
 DIST. SUCC.: 25,000



SCALA 1:200

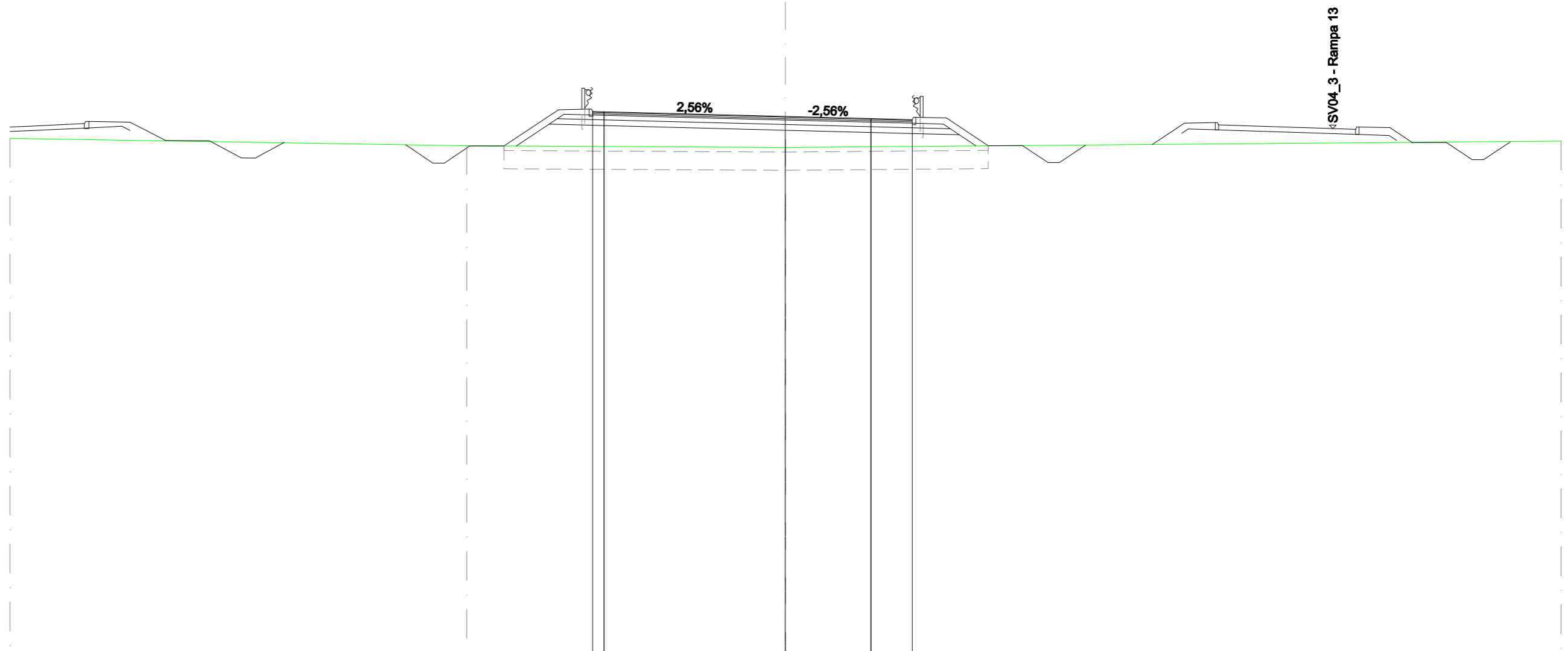
QT.RIF. 10,000

QUOTE TERRENO	-32,583	-32,586	-32,238	-32,427	-33,027	-32,851
DIST. PARZIALI TERRENO	6,788	13,775	13,437	21,784	12,216	
DIST. Progr. TERRENO	-34,000	-27,212	-13,437	0,000	-21,784	-34,000
QUOTE STRATO SUP.				33,811	33,691	
DIST. PARZIALI STRATO SUP.				3,750	1,955	
DIST. Progr. STRATO SUP.				0,000	-3,750	

	32,324	32,251	31,501	31,501	32,251	32,251	34,143	33,850	34,170	33,850	34,070	34,052	33,811	33,691	33,409	33,329	33,729	33,409	33,729	33,702	32,668	32,710	31,960	31,960	32,788
	1,119	0,600	1,119	1,500	2,837	1,350	0,575	7,585	3,750	1,955	1,350	1,560	1,500	1,119	0,500	1,237									
	-16,845	-16,735	-15,616	-15,116	-13,997	-12,497	-9,660	-8,310	-8,210	-9,160	-7,585	0,000	-3,750	5,705	5,755	5,865	-7,205	-8,755	-10,255	-11,375	-11,875	-13,112			

SEZIONE N.: 536  
 QT. PROGETTO: 33,547  
 DIST. PROG.: 11700,000  
 DIST. PREC.: 25,000  
 DIST. SUCC.: 25,000



SCALA 1:200

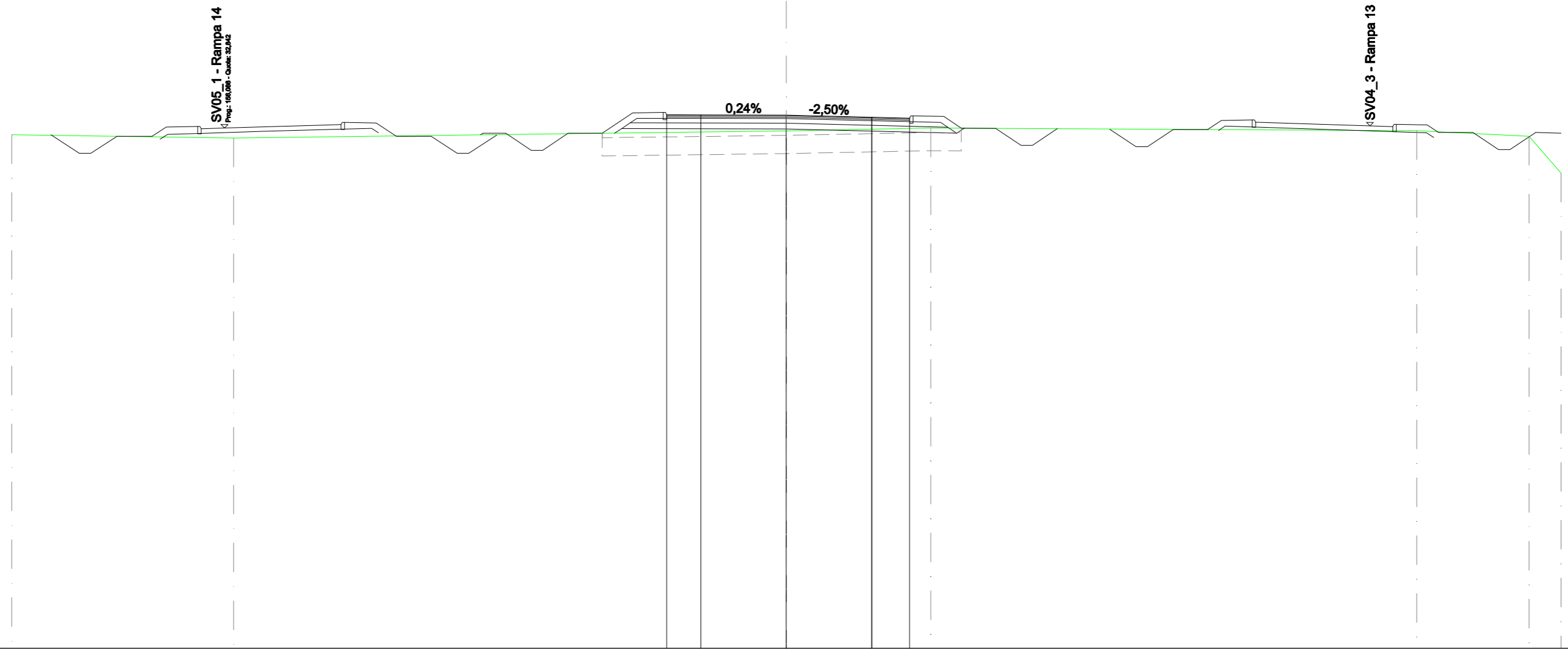
QT.RIF. 10,000

QUOTE TERRENO	32,583		32,255		32,182		32,465
DIST. PARZIALI TERRENO		20,024		13,976		34,000	
DIST. PROGR. TERRENO	-34,000		-13,976		0,000		34,000
QUOTE STRATO SUP.			32,299 32,246 31,496 31,496	32,246 32,246	33,836	33,547	33,451 33,185 33,405 33,863 33,185 33,543 33,763 33,750
DIST. PARZIALI STRATO SUP.			1,119 0,500 1,119	1,500 2,384	1,350	7,951	3,750 1,808 1,350 1,832
DIST. PROGR. STRATO SUP.			-16,652 -16,574 -15,454 -14,954	-13,835 -12,335	-9,951	0,000	-3,750 5,558 5,608 5,708 7,058

SEZIONE N.: 537  
 QT. PROGETTO: 33,413  
 DIST. PROG.: 11725,000  
 DIST. PREC.: 25,000  
 DIST. SUCC.: 25,000

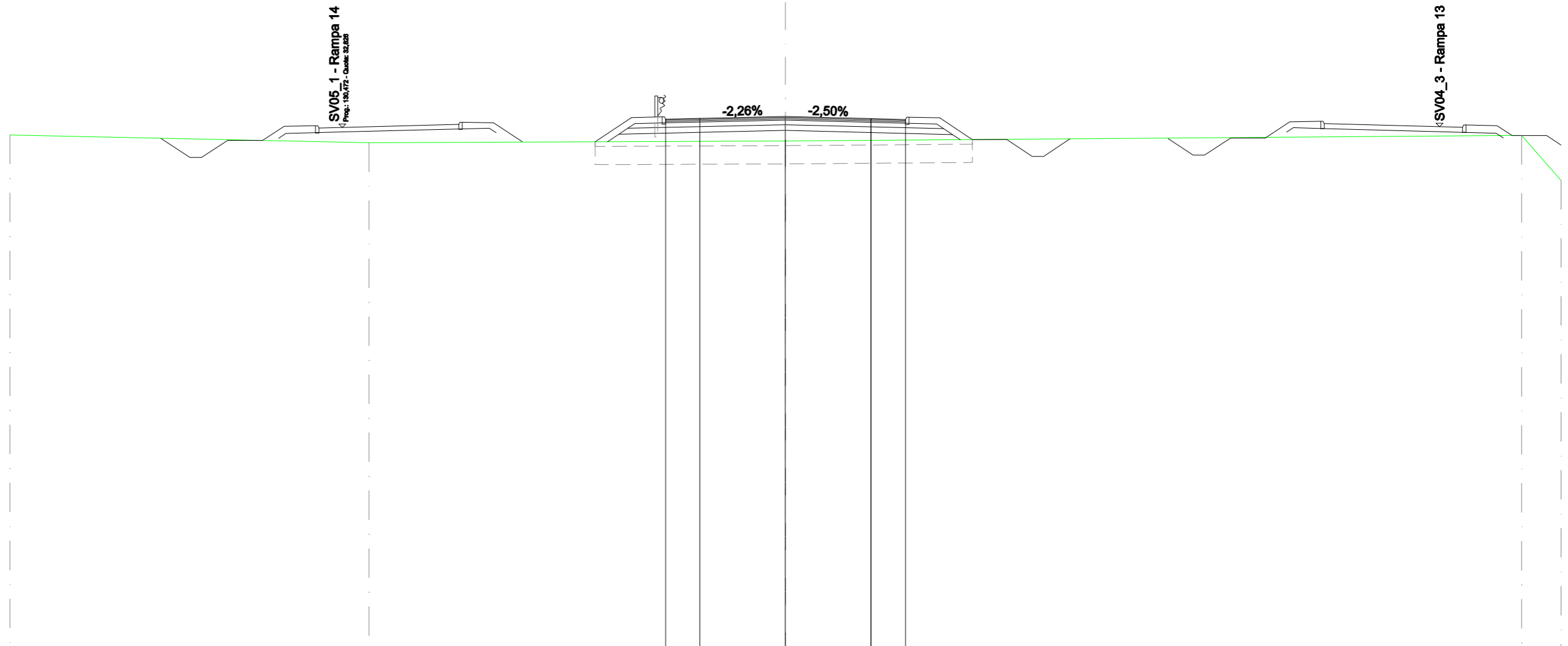
SCALA 1:200

QT.RIF. 10,000



QUOTE TERRENO	32,545	32,404				32,719	32,845		32,721	32,475	30,862		
DIST. PARZIALI TERRENO		9,740	24,260			6,339	21,328		4,927	1,408			
DIST. PROGR. TERRENO	-34,000	-24,260				0,000	6,339		-27,667	-32,594	-34,000		
QUOTE STRATO SUP.			32,544 32,614 32,614	31,864 31,864	32,614	33,498	33,205 33,525 33,425 33,205 33,422	33,413	33,319	33,057 33,277 33,377 33,057 33,377 33,350 32,837	32,829	32,079 32,079	32,813
DIST. PARZIALI STRATO SUP.			1,000 1,119	0,500 1,119	1,500	1,326	1,350	1,500	3,750	1,360 0,789	1,500	1,119 0,500 1,096	
DIST. PROGR. STRATO SUP.			-13,419 -13,315 -12,315	-11,195 -10,695	-9,576	-8,076	-6,750	-5,400 -5,300 -5,250 -3,750	0,000	-3,750	5,411 5,461 6,911	-9,180	-10,300 -10,800 -11,895

SEZIONE N.: 538  
 QT. PROGETTO: 33,306  
 DIST.PROG.: 11750,000  
 DIST.PREC.: 25,000  
 DIST.SUCC.: 25,000

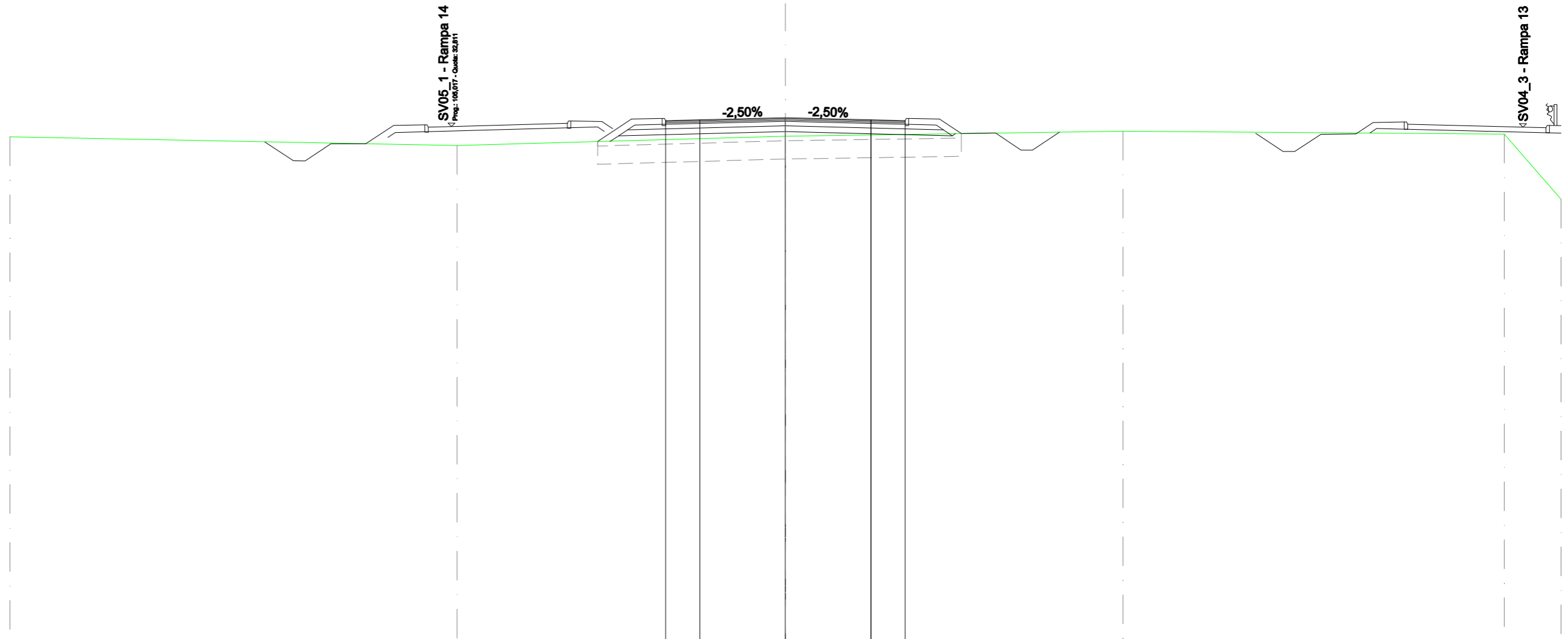


SCALA 1:200

QT.RIF. 10,000

QUOTE TERRENO	32,495	32,159	32,228	32,475	30,506	
DIST. PARZIALI TERRENO	15,740	18,260	32,275	1,725		
DIST. PROGR. TERRENO	-34,000	-18,260	0,000	32,275	-34,000	
QUOTE STRATO SUP.			32,197 33,260 32,967 33,287 33,187 32,967 33,221	33,306	33,212 32,954 33,174 33,274 32,954 33,274 33,247 32,291	32,303 31,553 31,553 32,324
DIST. PARZIALI STRATO SUP.			1,595 1,350 1,500 3,750	3,750	1,514 1,350 1,433 1,500	1,119 0,500 1,151
DIST. PROGR. STRATO SUP.			-8,345 -6,750 -5,400 -5,300 -6,250 -3,750	0,000	-3,750 5,264 5,314 5,414 6,764	-8,197 -9,697 -10,817 -11,317 -12,468

SEZIONE N.: 539  
 QT. PROGETTO: 33,199  
 DIST.PROG.: 11775,000  
 DIST.PREC.: 25,000  
 DIST.SUCC.: 25,000



SCALA 1:200

QT.RIF. 10,000

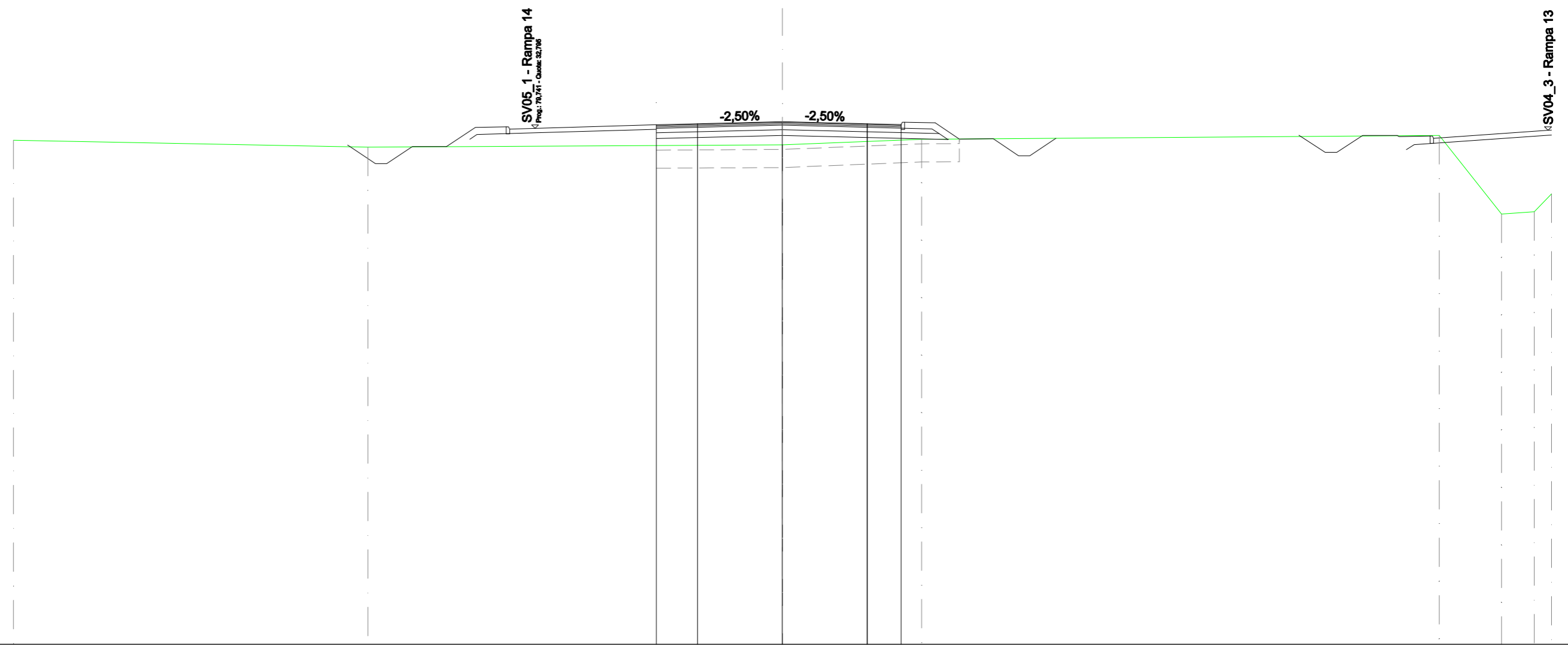
QUOTE TERRENO	32,357	31,978	32,387	32,608	32,475	29,629
DIST. PARZIALI TERRENO	19,607	14,393	14,795	16,717	2,488	
DIST. PROGR. TERRENO	-34,000	-14,393	0,000	14,795	31,512	-34,000
QUOTE STRATO SUP.			33,199			
DIST. PARZIALI STRATO SUP.			3,750	3,750		
DIST. PROGR. STRATO SUP.			0,000			

	32,153	33,140	32,847	33,167	33,067	32,847	33,105	33,199	33,105	32,847	33,067	33,167	32,847	33,140	32,502	32,525	31,775	31,775	32,566
	1,480	1,350	1,500	3,750	3,750	1,500	1,350	0,957	1,500	1,119	0,500	1,182							
	-8,230	-6,750	-5,400	-5,300	-6,250	-3,750			-3,750	5,250	5,300	6,750	7,707	9,207	10,326	10,826	12,008		



SEZIONE N.: 540  
 QT. PROGETTO: 33,092  
 DIST. PROG.: 11800,000  
 DIST. PREC.: 25,000  
 DIST. SUCC.: 25,000

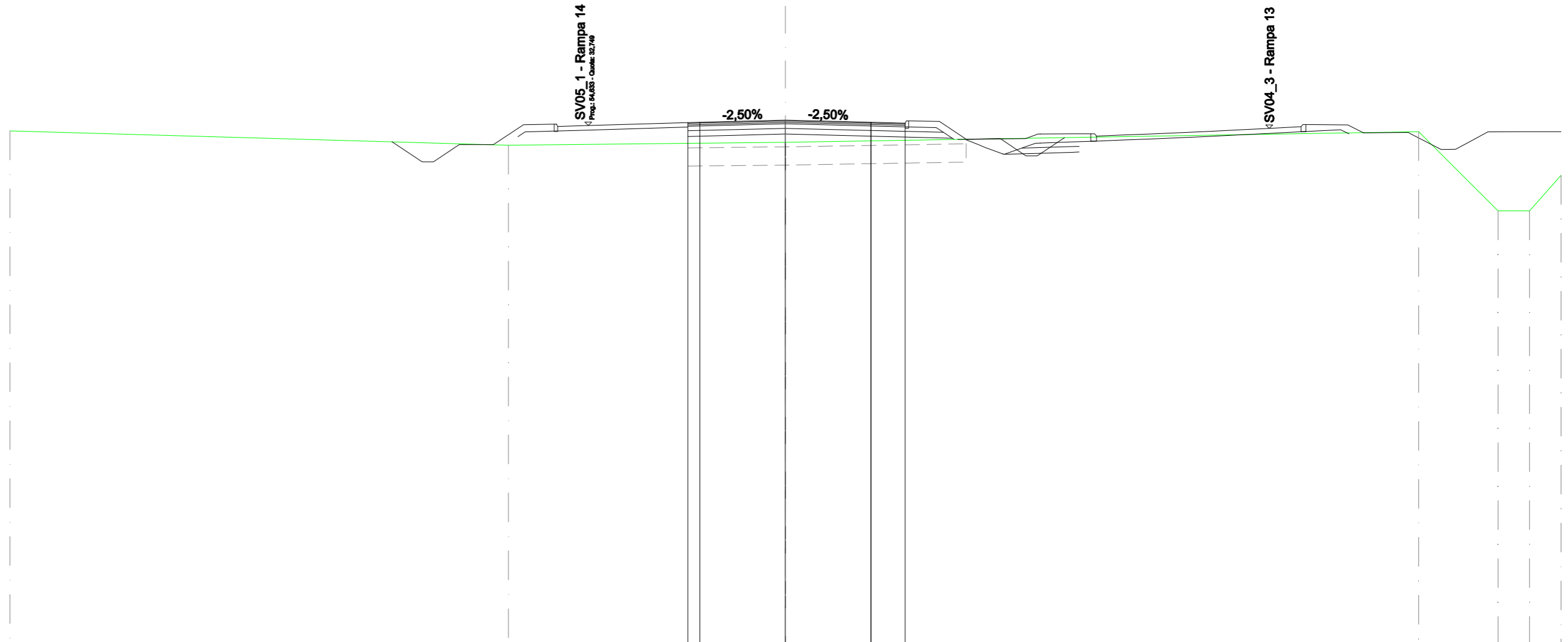


SCALA 1:200

QT.RIF. 10,000

QUOTE TERRENO	32,268	31,959	32,060	32,309	32,475	29,010	29,109	29,900								
DIST. PARZIALI TERRENO	15,678	18,322	6,150	22,886	2,756	1,443	0,788									
DIST. PROG. TERRENO	-34,000	-18,322	0,000	6,150	-29,036	-31,791	-33,234	-34,000								
QUOTE STRATO SUP.			33,092	32,998	32,740	32,960	33,060	32,740	33,060	33,033	32,321	32,332	31,562	31,562	32,352	
DIST. PARZIALI STRATO SUP.			1,824	3,750	3,750	1,500	1,350	1,069	1,500	1,119	0,500	1,149				
DIST. PROG. STRATO SUP.			-5,575	-5,574	-3,750	0,000	-3,750	5,250	5,300	5,400	6,750	7,819	9,319	10,438	10,938	12,088

SEZIONE N.: 541  
 QT. PROGETTO: 32,985  
 DIST. PROG.: 11825,000  
 DIST. PREC.: 25,000  
 DIST. SUCC.: 25,000

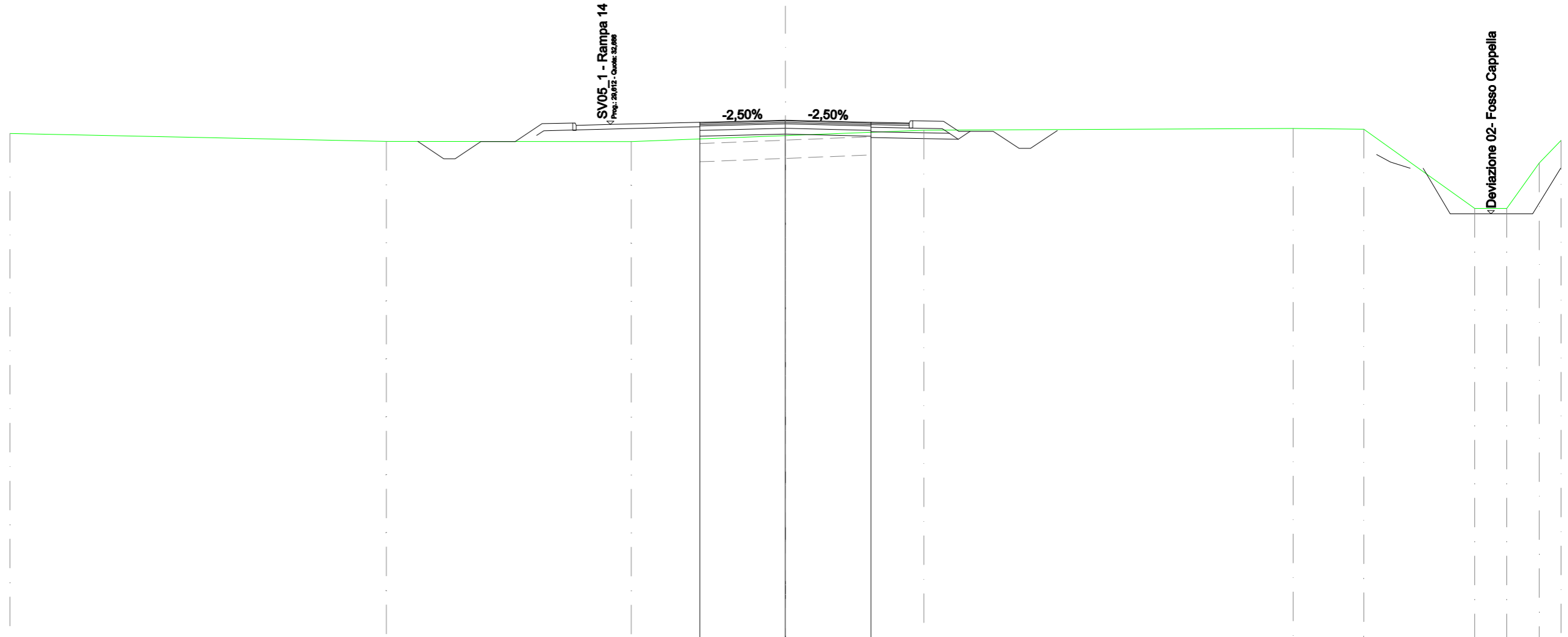


SCALA 1:200

QT.RIF. 10,000

QUOTE TERRENO	32,513		31,889		32,013				32,475	29,010	29,010	30,568
DIST. PARZIALI TERRENO		21,853		12,147					27,757	3,486	1,379	1,379
DIST. PROGR. TERRENO	-34,000		-12,147		0,000				-27,757	-31,242	-32,621	-34,000
QUOTE STRATO SUP.					32,985		32,891	32,834				
DIST. PARZIALI STRATO SUP.					0,530	3,750	3,750	1,500				
DIST. PROGR. STRATO SUP.					-4,280	-3,750	-0,000	-3,750	5,250	5,300	5,400	6,750
									32,891	32,854	32,854	32,834
									32,964	32,964	32,927	32,145
									32,170	31,420	31,420	
									1,119	0,500	1,189	
									1,189			
									12,230			

SEZIONE N.: 542  
 QT. PROGETTO: 32,878  
 DIST.PROG.: 11850,000  
 DIST.PREC.: 25,000  
 DIST.SUCC.: 25,000

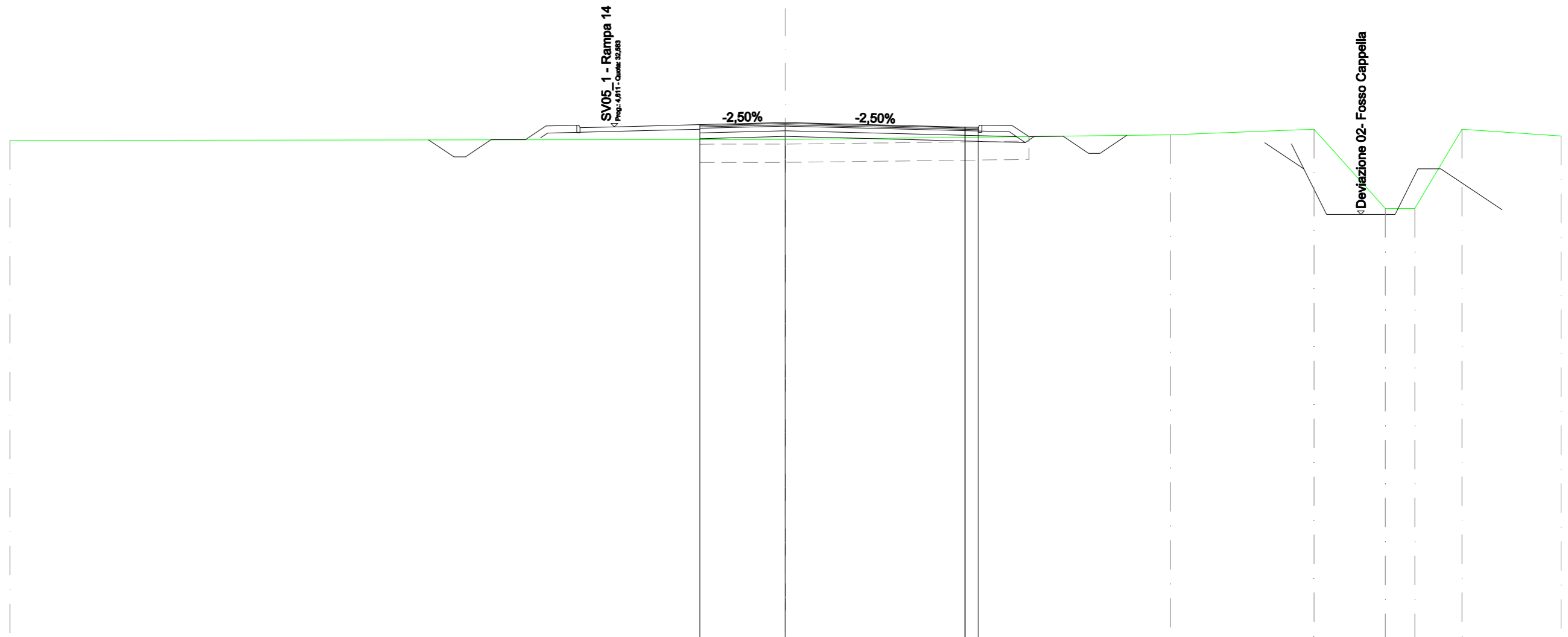


SCALA 1:200

QT.RIF. 10,000

QUOTE TERRENO	32,295	31,945	31,933	32,200	32,439	32,512	32,475	29,010	29,010	31,000	31,984
DIST. PARZIALI TERRENO	16,502	10,739	6,759	6,067	16,191	3,096	4,858	1,410	1,417	0,981	
DIST. PROGR. TERRENO	-34,000	-17,498	-6,759	0,000	6,067	-22,258	-25,354	30,212	31,622	33,039	34,000
QUOTE STRATO SUP.				32,784	32,878	32,784					
DIST. PARZIALI STRATO SUP.				3,750	3,750						
DIST. PROGR. STRATO SUP.				-3,750	0,000	-3,750					

SEZIONE N.: 543  
 QT. PROGETTO: 32,771  
 DIST. PROG.: 11875,000  
 DIST. PREC.: 25,000  
 DIST. SUCC.: 25,000

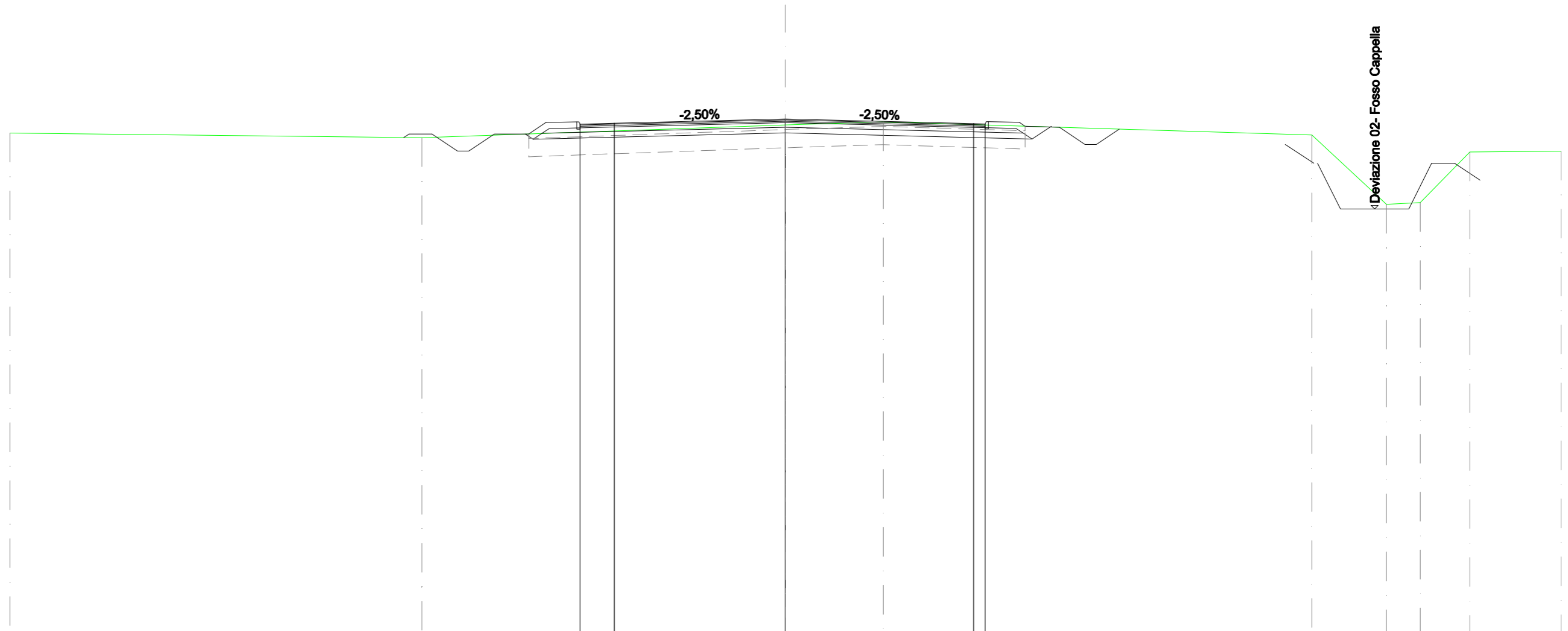


SCALA 1:200

QT.RIF. 10,000

QUOTE TERRENO	31,987			32,026				32,230		32,475	29,009	29,010	32,475	32,185		
DIST. PARZIALI TERRENO		34,000				16,880			6,289	3,124	1,285	2,066	4,345			
DIST. PROGR. TERRENO	-34,000			0,000				-16,880		-23,169	-26,294	-27,589	-29,655	-34,000		
QUOTE STRATO SUP.			32,677	32,771		32,574	32,339	32,559	32,339	32,659	32,632	32,155	32,173	31,423	31,423	32,207
DIST. PARZIALI STRATO SUP.			3,750	7,871		0,584	1,350	0,716	1,500	1,119	0,500	1,170				
DIST. PROGR. STRATO SUP.		-3,750	0,000			7,871	8,456	8,506	8,606	9,956	10,671	12,171	13,291	13,791	14,961	

SEZIONE N.: 544  
 QT. PROGETTO: 32,664  
 DIST. PROG.: 11900,000  
 DIST. PREC.: 25,000  
 DIST. SUCC.: 25,000



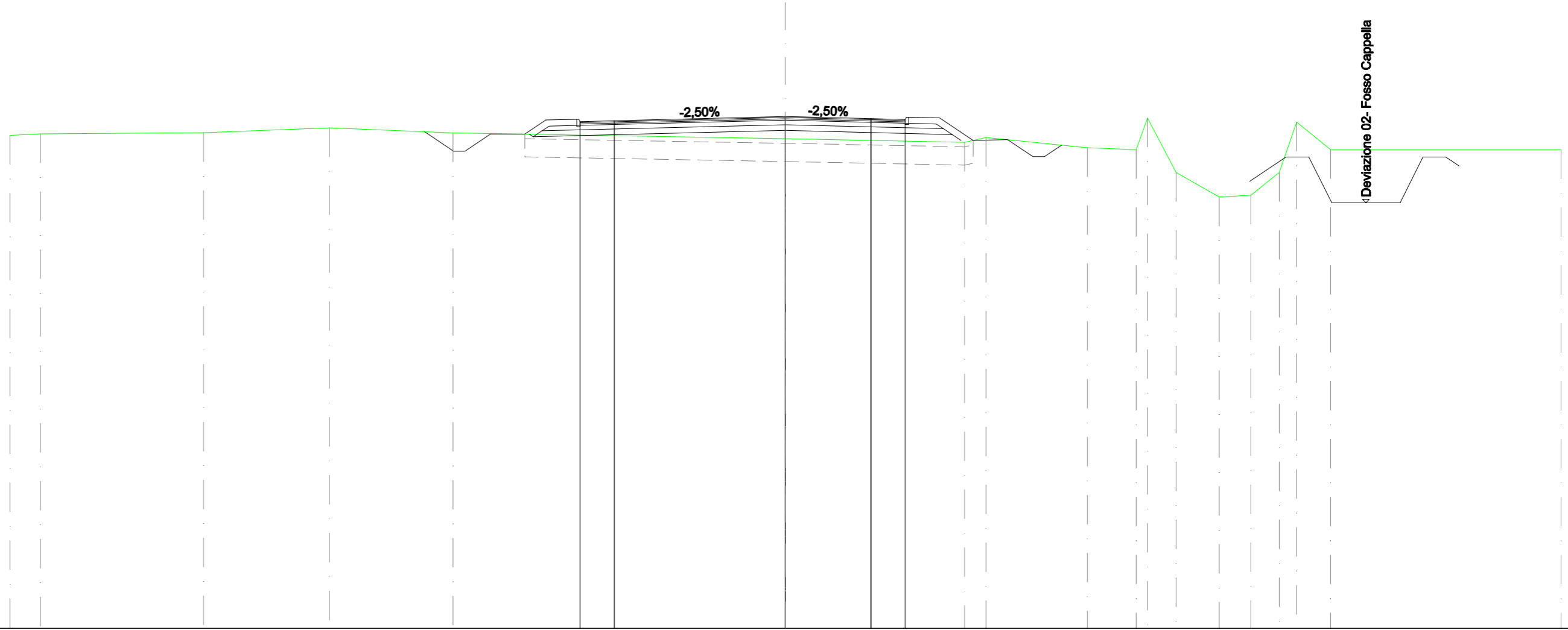
SCALA 1:200

QT.RIF. 10,000

QUOTE TERRENO	32,048		31,842		32,403	32,538		31,959	28,920	29,000	31,214	31,253	
DIST. PARZIALI TERRENO		18,067		15,933		4,287		18,789	3,273	1,477	2,174	4,001	
DIST. PROG. TERRENO	-34,000		-15,933		0,000	-4,287		23,076	26,349	27,826	29,999	34,000	
QUOTE STRATO SUP.			31,851 32,006 32,006	31,256 31,256	32,006	32,006 32,512	32,219 32,539 32,539 32,219 32,439 32,476	32,664			32,458 32,225 32,445 32,545	32,225 32,518 32,346	31,550 31,550 32,219
DIST. PARZIALI STRATO SUP.			1,000 1,119 0,500 1,119	1,500	0,758 1,350	1,500	7,500			8,250	0,500 1,350 1,500	1,119 0,500 0,999	
DIST. PROG. STRATO SUP.			-16,730 -16,497 -15,497	-14,377 -13,877	-12,758	-11,258 -10,500	-9,150 -9,050 -9,000 -7,500	0,000			8,250 8,750 8,800 8,900 10,250 10,508	12,008 13,127 13,627	14,626



SEZIONE N.: 546  
 QT. PROGETTO: 32,450  
 DIST. PROG.: 11950,000  
 DIST. PREC.: 25,000  
 DIST. SUCC.: 25,000



SCALA 1:200

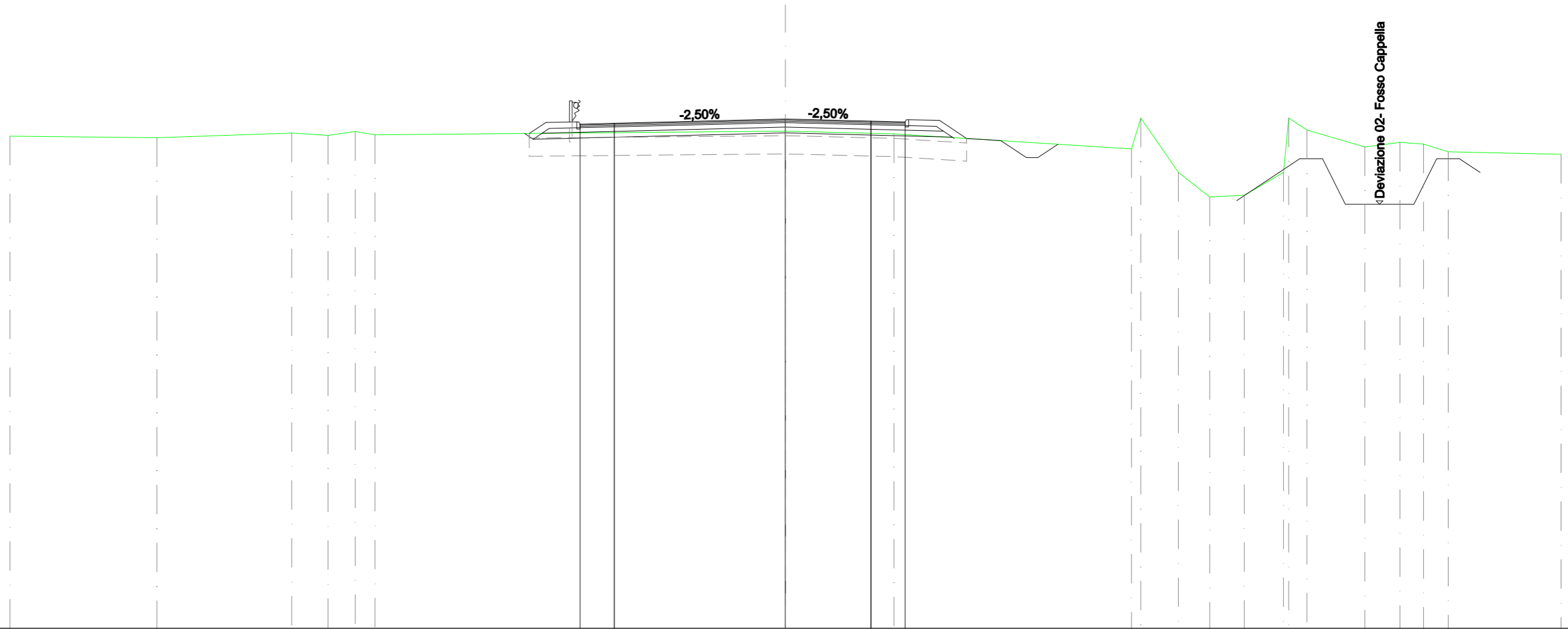
QT.RIF. 10,000

QUOTE TERRENO	31,625	31,692	31,745	31,957	31,735	31,476	31,319	31,533	31,084	31,000	32,385	30,000	28,920	29,002	30,000	32,206	31,000	31,000													
DIST. PARZIALI TERRENO	1,341	7,145	5,526	5,412	14,577	7,859	0,932	4,448	2,137	0,502	1,246	1,893	1,388	1,239	0,768	1,487	10,102														
DIST. PROGR. TERRENO	-34,000	-32,659	-25,515	-19,989	-14,577	0,000	7,859	8,790	13,238	15,375	15,876	17,123	19,016	20,403	21,643	22,411	23,898	34,000													
QUOTE STRATO SUP.					31,786	31,679	30,929	30,929	31,679	31,679	32,298	32,005	32,325	32,325	32,005	32,225	32,262	32,450	32,356	32,099	32,319	32,419	32,099	32,419	32,392	31,404	31,438	30,668	30,668	31,198	
DIST. PARZIALI STRATO SUP.					1,119	0,500	1,119	1,500	0,927	1,350	1,500	7,500	3,750	1,500	1,350	1,480	1,500	1,119	0,500	0,761	5,250	5,300	5,400	6,750	8,230	9,730	10,850	11,350	12,110		
DIST. PROGR. STRATO SUP.					-15,827	-15,666	-14,547	-14,047	-12,927	-11,427	-10,500	-9,150	-8,050	-9,000	-7,500	0,000	3,750	5,250	5,300	5,400	6,750	8,230	9,730	10,850	11,350	12,110					

SEZIONE N.: 547  
 QT. PROGETTO: 32,343  
 DIST.PROG.: 11975,000  
 DIST.PREC.: 25,000  
 DIST.SUCC.: 25,000

SCALA 1:200

QT.RIF. 10,000



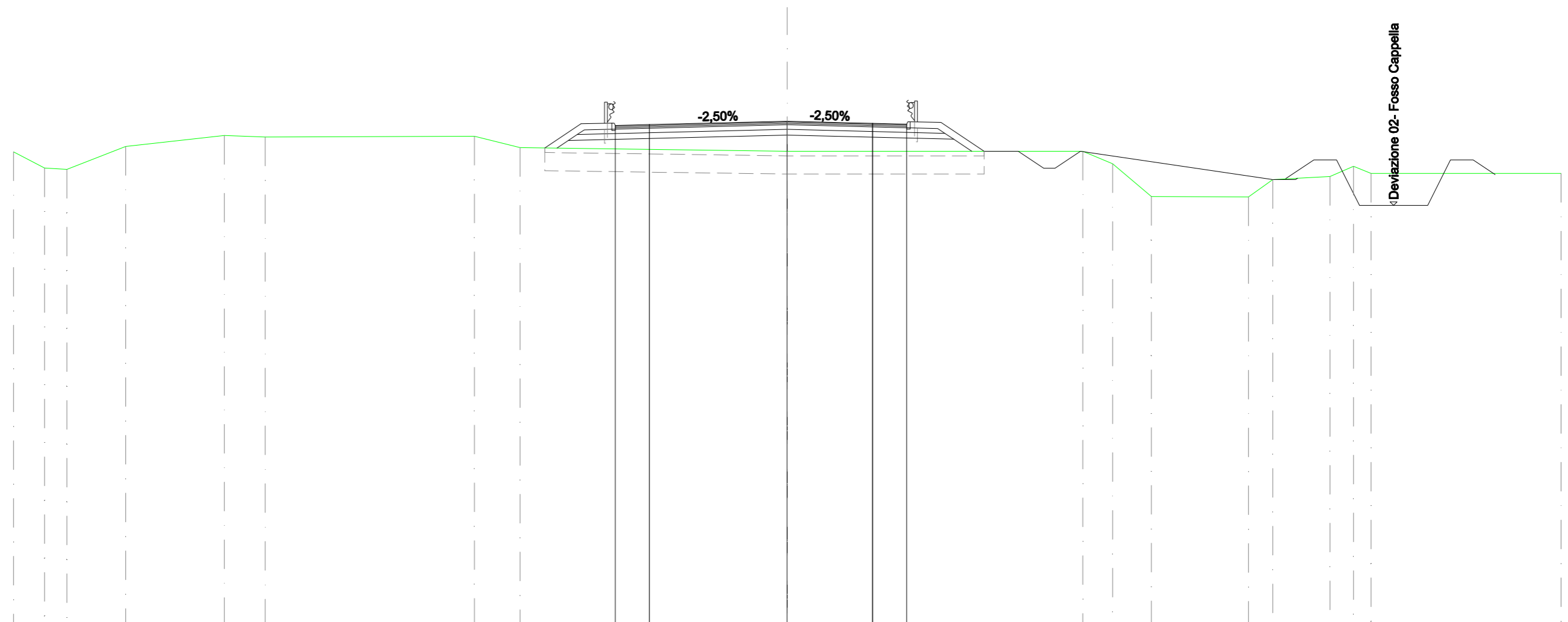
QUOTE TERRENO	31,585	31,525	31,728	31,627	31,795	31,645	31,809	31,693	31,031	32,385	30,000	28,920	29,000	30,000	32,385	31,864	31,116	31,319	31,241	30,906	30,790
DIST. PARZIALI TERRENO	6,444	5,916	1,584	1,197	0,885	17,993	4,757	10,416	1,652	1,367	1,516	1,719	0,791	2,543	1,540	1,033	1,087	4,943			
DIST. PROGR. TERRENO	-34,000	-27,556	-21,639	-20,055	-18,858	-17,993	0,000	-4,757	-15,174	-15,577	-17,229	-18,596	-20,112	-21,831	-22,062	-22,854	-25,397	-26,937	-27,970	-29,057	-34,000
QUOTE STRATO SUP.							32,343	32,249	31,992	32,212	32,312	31,992	32,312	32,285	31,491	31,395	30,645	30,645	31,236		
DIST. PARZIALI STRATO SUP.						7,500	3,750	1,500	1,350	1,191	1,500	1,119	0,500	0,882							
DIST. PROGR. STRATO SUP.							0,000	-3,750	5,250	5,300	5,400	6,750	7,941	9,441	10,560	11,060	11,942				



SEZIONE N.: 548  
 QT. PROGETTO: 32,236  
 DIST. PROG.: 12000,000  
 DIST. PREC.: 25,000  
 DIST. SUCC.: 25,000

SCALA 1:200

QT.RIF. 10,000



QUOTE TERRENO	30,884	30,179	30,117	31,122	31,606	31,541	31,572	31,073	30,910	30,913	30,364	28,918	28,904	29,666	29,803	30,248	29,935	29,938								
DIST. PARZIALI TERRENO	1,385	0,984	2,580	4,334	1,799	9,196	2,004	11,738	12,989	1,305	1,704	4,266	1,089	2,515	1,033	0,788	8,351									
DIST. PROG. TERRENO	-34,000	-32,635	-31,651	-29,071	-24,738	-22,938	-13,743	-11,738	0,000	12,989	14,294	15,999	20,265	21,334	23,848	24,881	25,649	34,000								
QUOTE STRATO SUP.							31,058	32,120	31,827	32,105	32,205	31,885	32,205	32,178	30,912	30,913	30,163	30,163	30,913	29,666	29,666	29,725				
DIST. PARZIALI STRATO SUP.							1,593	1,350	1,500	6,058	3,750	1,500	1,350	1,897	1,500	1,119	0,500	1,119	8,447	1,000	1,000					
DIST. PROG. STRATO SUP.							-10,651	-9,058	-7,708	-7,608	-7,558	-6,058	0,000	-3,750	5,250	5,300	5,400	6,750	8,647	10,147	11,267	11,767	12,886	-21,334	22,334	22,423