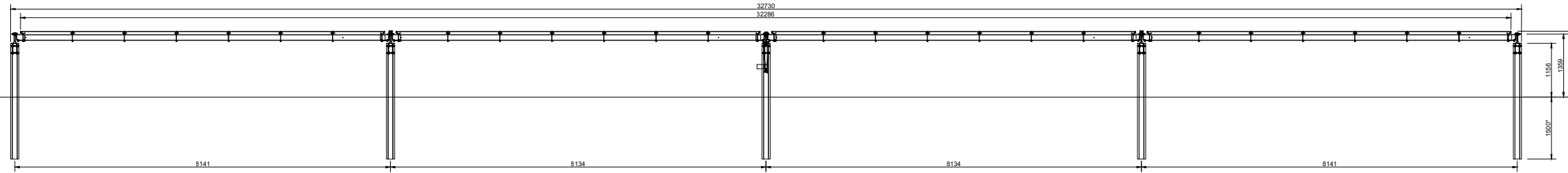
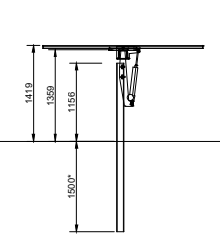


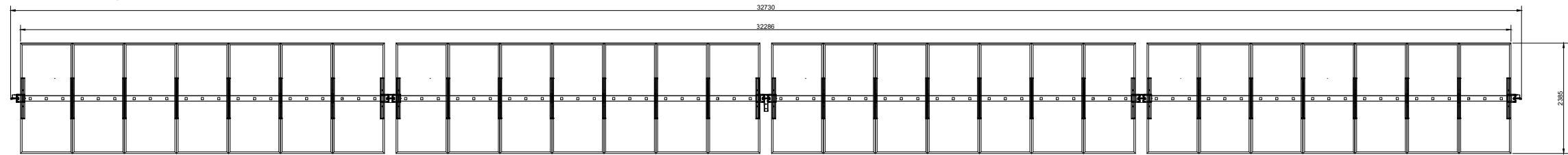
TRJHT28PDP
FRONT VIEW @ 0°



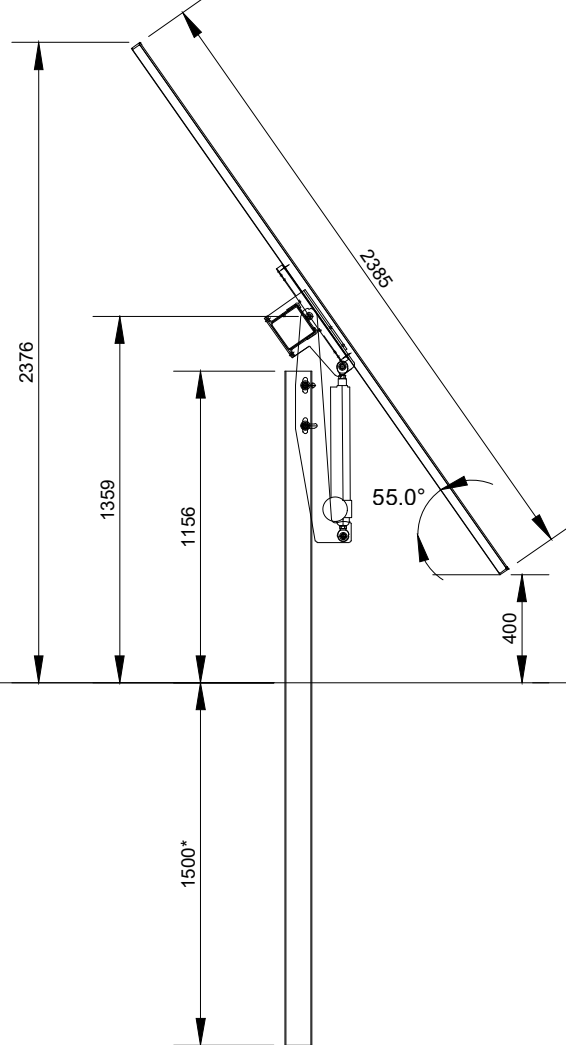
TRJHT28PDP
SIDE VIEW @ 0°



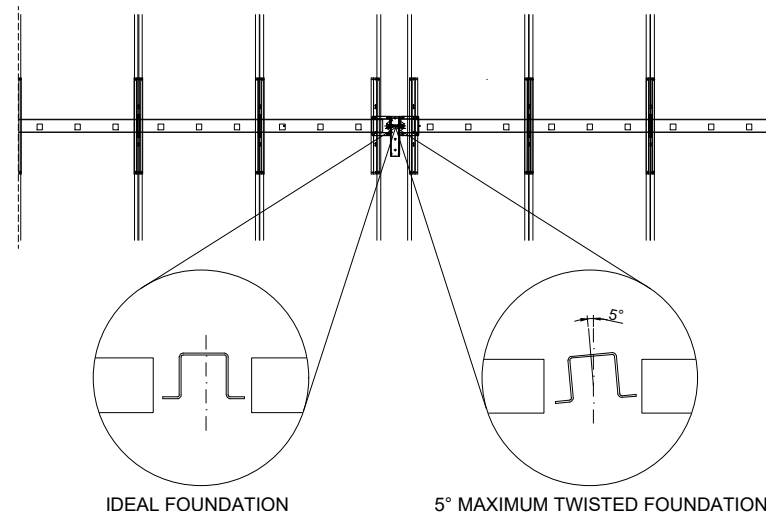
TRJHT28PDP
TOP VIEW @ 0°



TRJHT28PDP
SIDE VIEW @ 55°

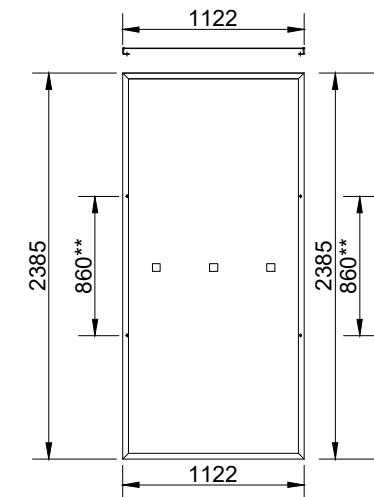


FOUNDATION TWIST ERROR RECOVERY

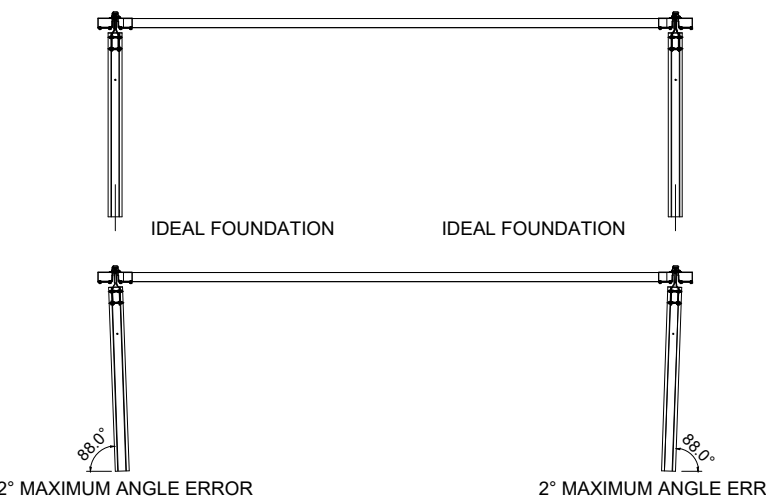


PHOTOVOLTAIC MODULE

Jinko Tiger PV Module - 580 Wp



FOUNDATION ANGLE ERROR RECOVERY



MATERIAL CHARACTERISTICS

STEEL

Structural steel - yield strength in accordance with structural calculations

SPHERICAL BEARINGS

Bronze / Stainless steel

SPACERS

According to environmental conditions of the site

SCREWS, NUTS and WASHERS

According to environmental conditions of the site

GALVANIZATION

All steel parts will be galvanized according to environmental conditions of the site to have a design lifetime of 30 years



The supplier reserves the right to change any particular before executive design release
* Preliminary Value to be recalculated after geotechnical analysis and pull out tests
** Preliminary Value to be confirmed after final PV module choice

PROJECT DESCRIPTION
TRJHT28PDP

CLIENT


STATE PROJECT
Preliminary Drawing

REPRESENTATION
Annex 1
TRJHT28PDP General Assembly Drawing

REVISION	NUMBER	PROJECT	DATE	DESIGN	FORWARD

REL.	DATE	DESCRIPTION	DESIGNED	CHECKED	APPROVED

DESIGN
CONVERT
A valmont COMPANY
© COPYRIGHT Conset Italia S.p.A.
All rights reserved