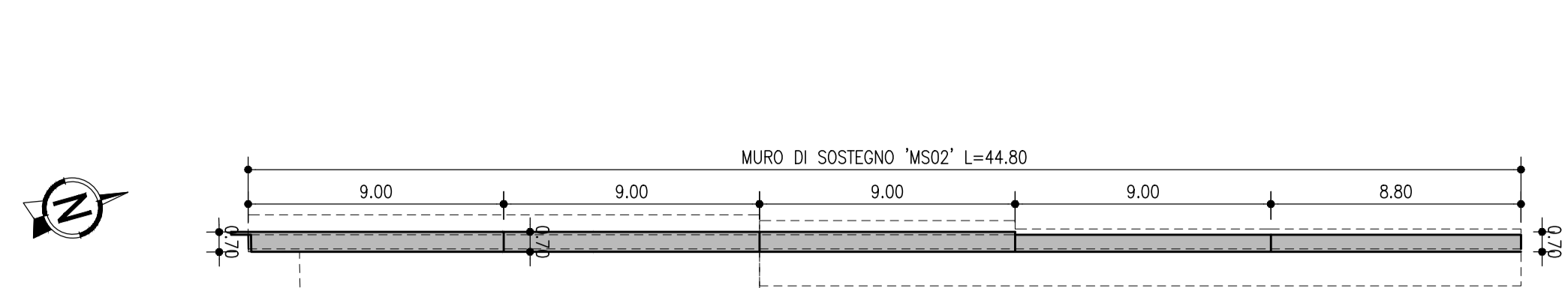
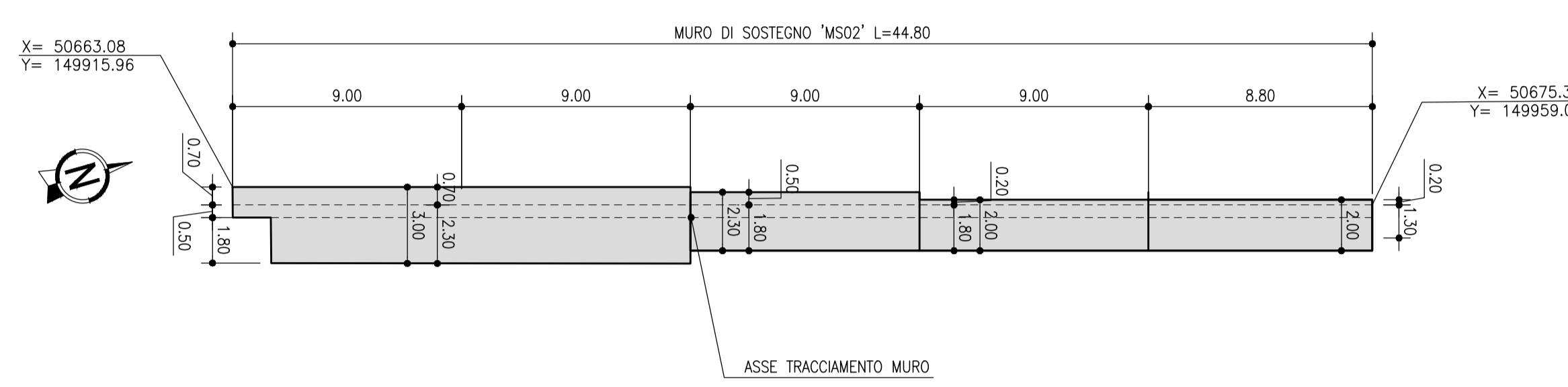


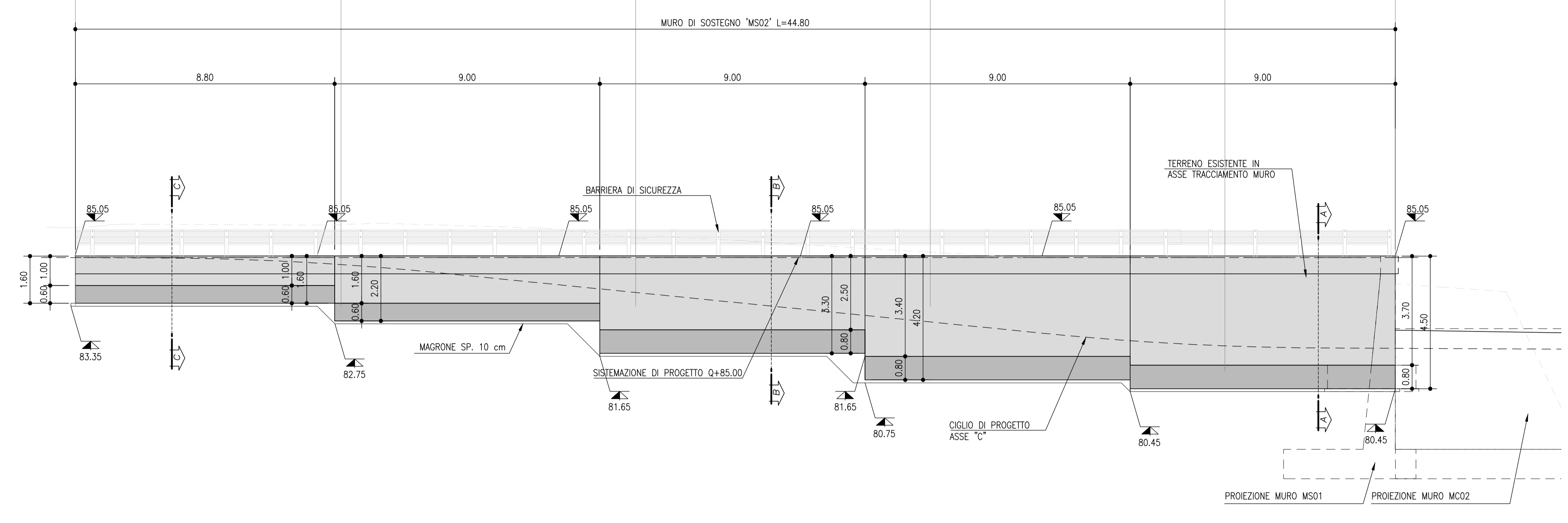
PIANTA 1:200



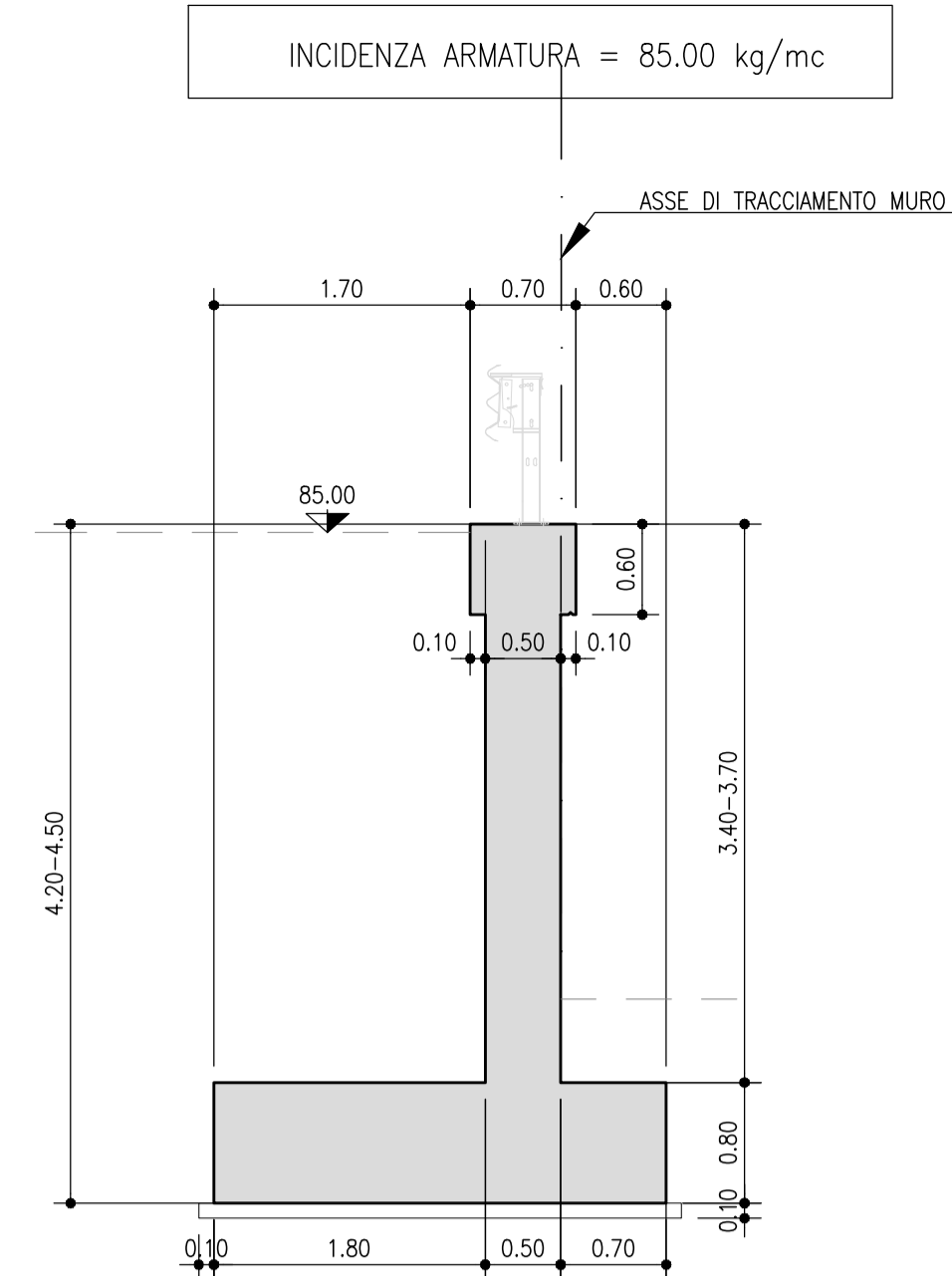
PIANTA FONDAZIONI 1:200



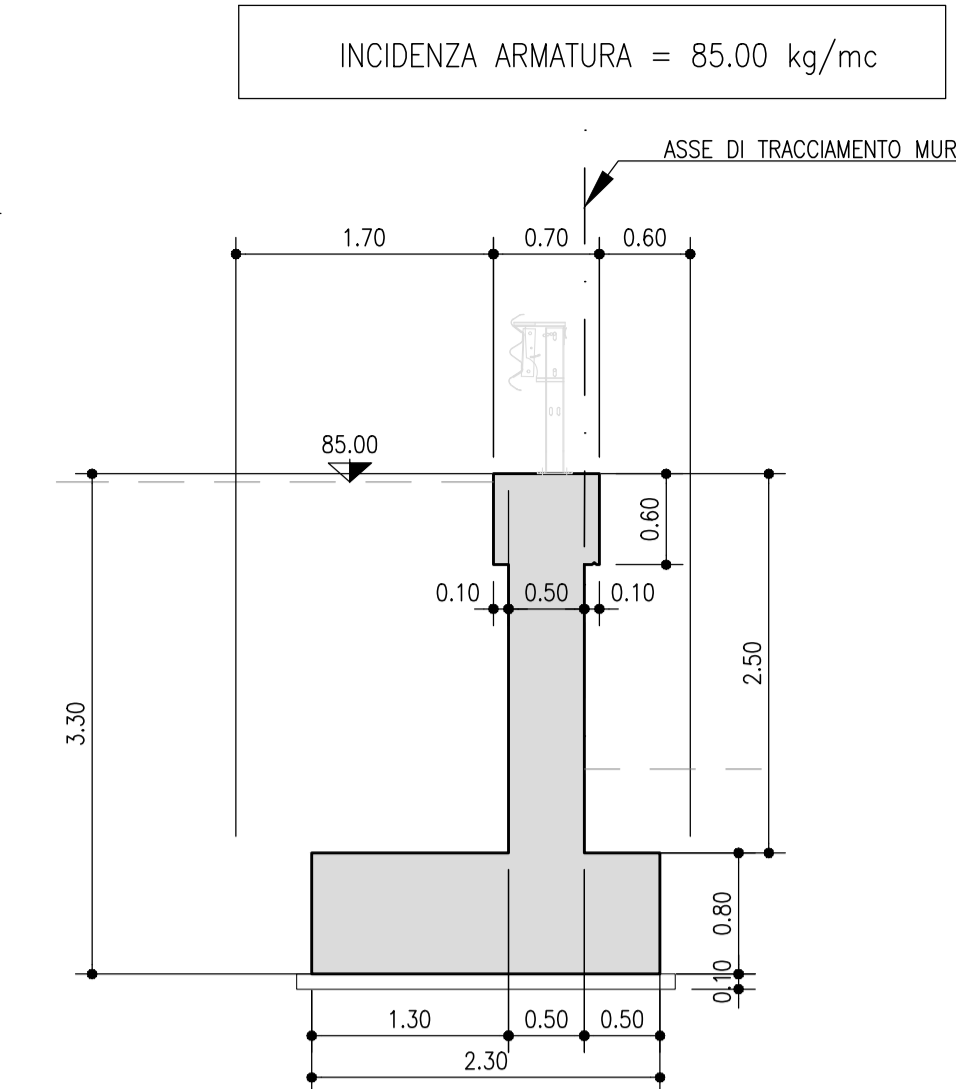
PROSPETTO 1:100 CARPENTERIA



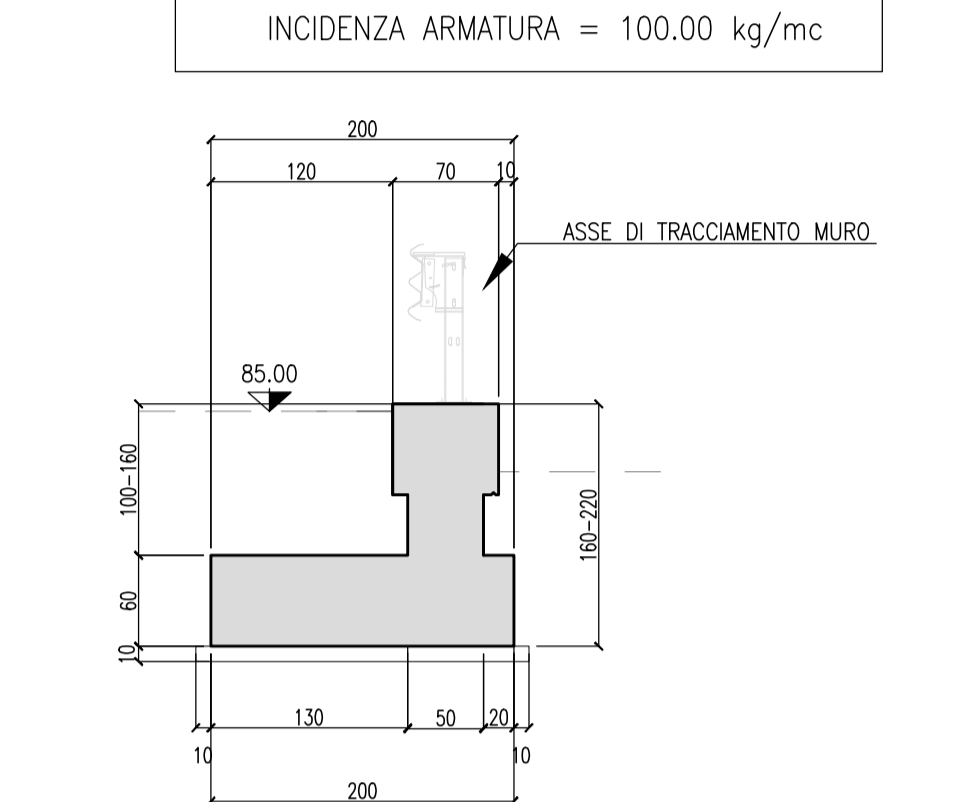
SEZIONE A-A 1:50



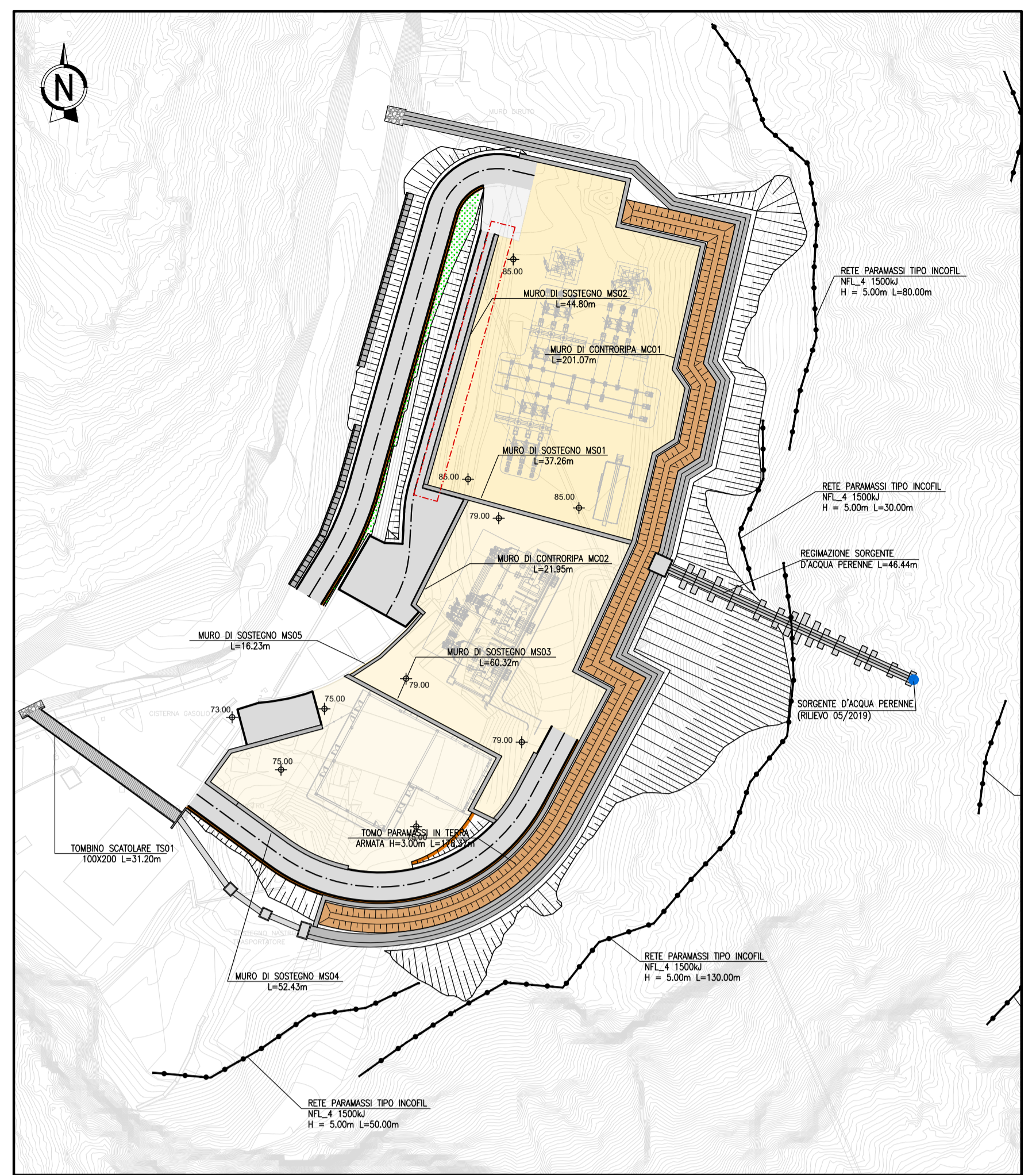
SEZIONE B-B 1:50



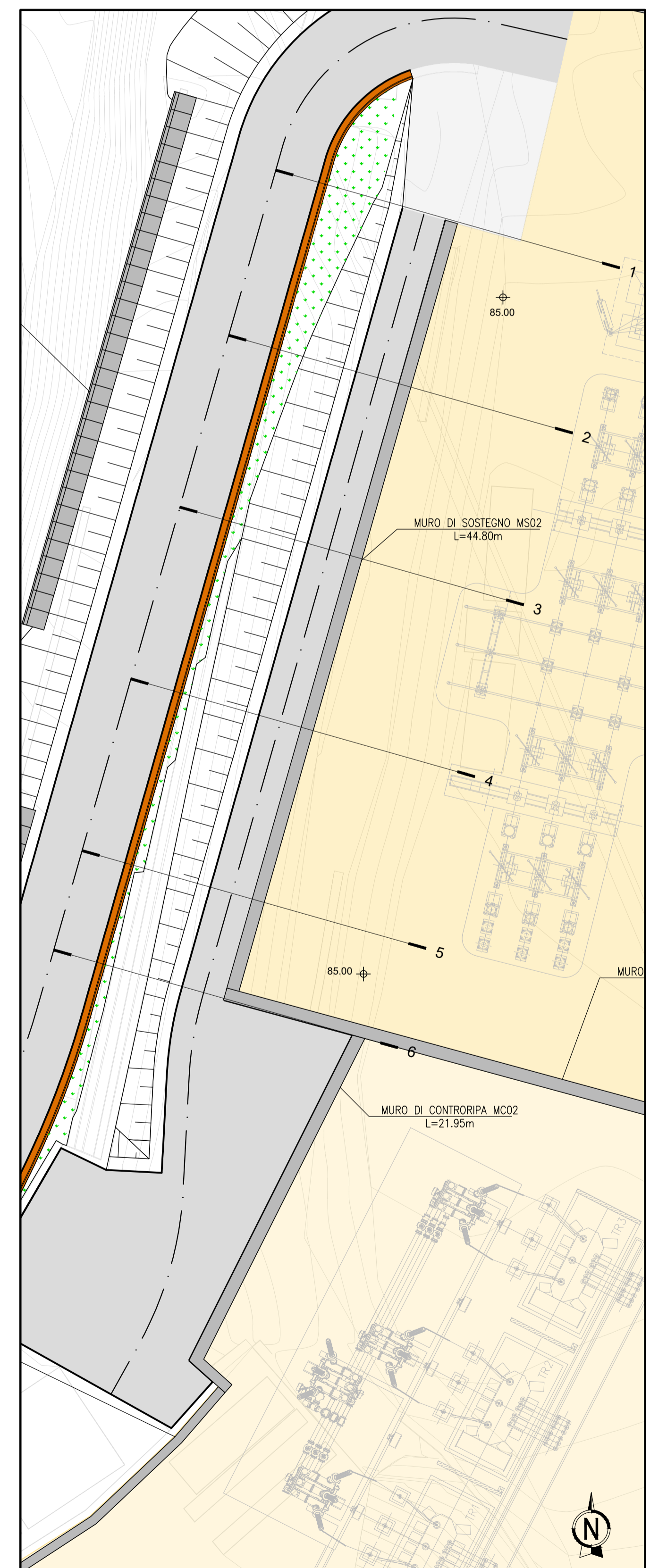
SEZIONE C-C 1:50



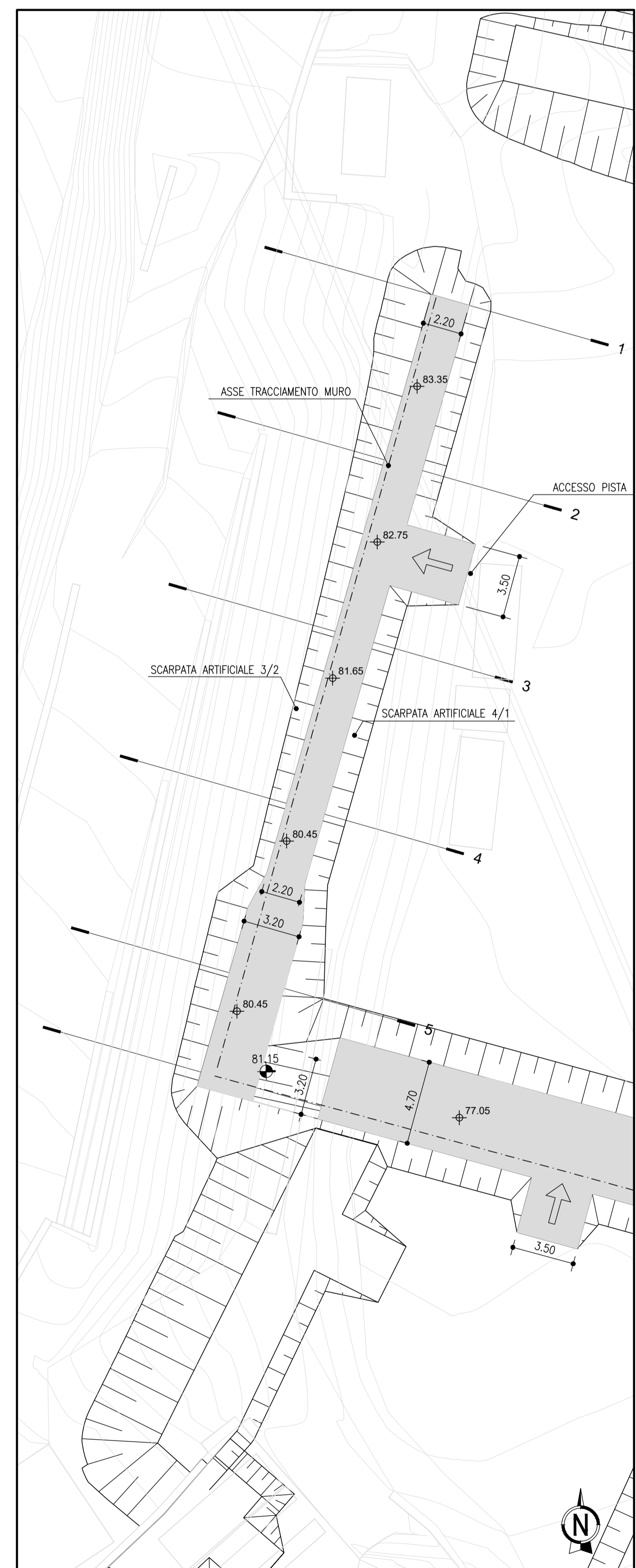
KEYMAP



PLANIMETRIA DI PROGETTO 1:200



PIANTA SCAVI 1:200



SEZIONI TRASVERSALI 1:200 FASE DI REALIZZAZIONE MURO

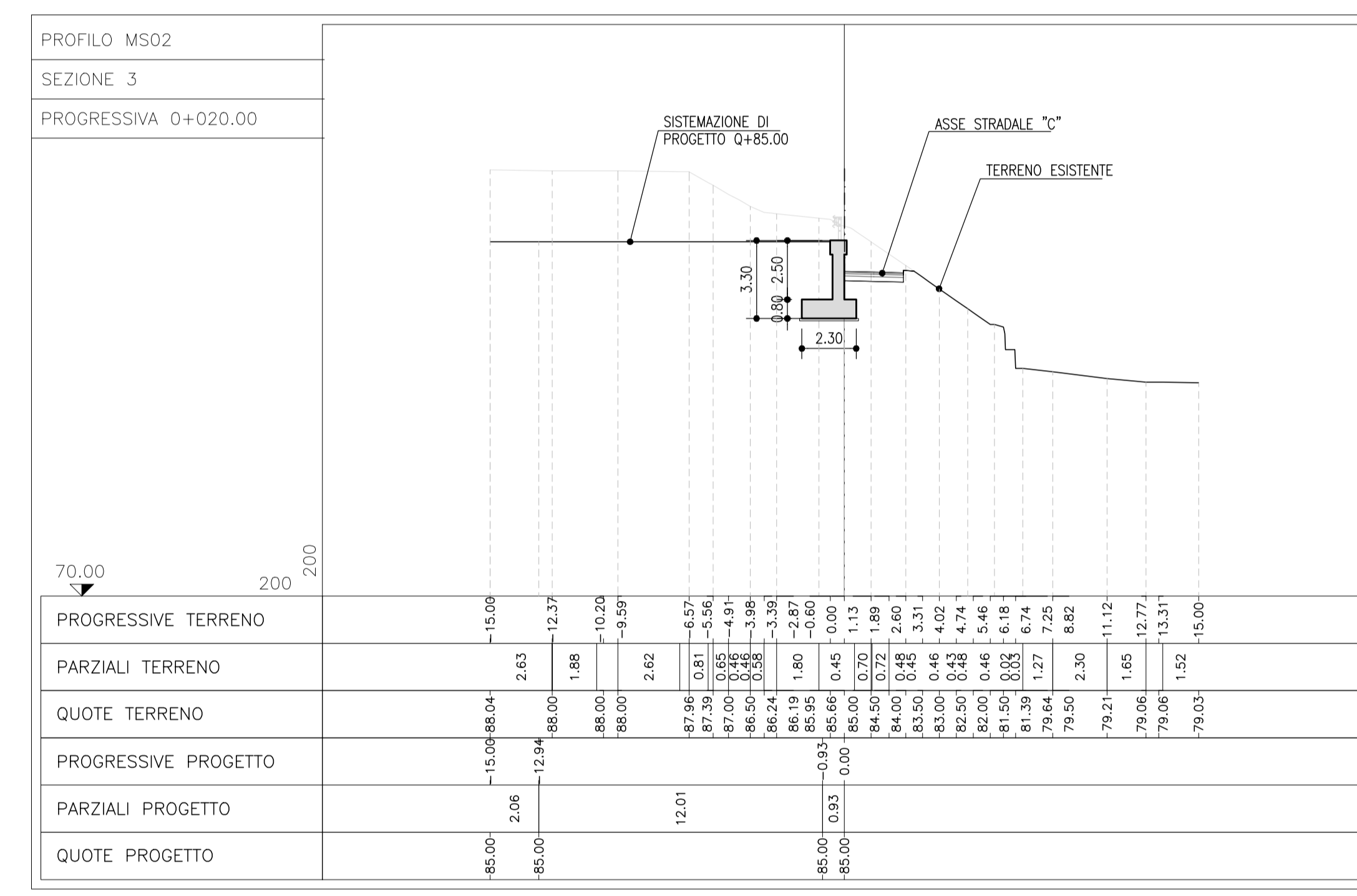


Table with columns for progressive terrain and project, and rows for partial terrain and project. Includes elevation data.

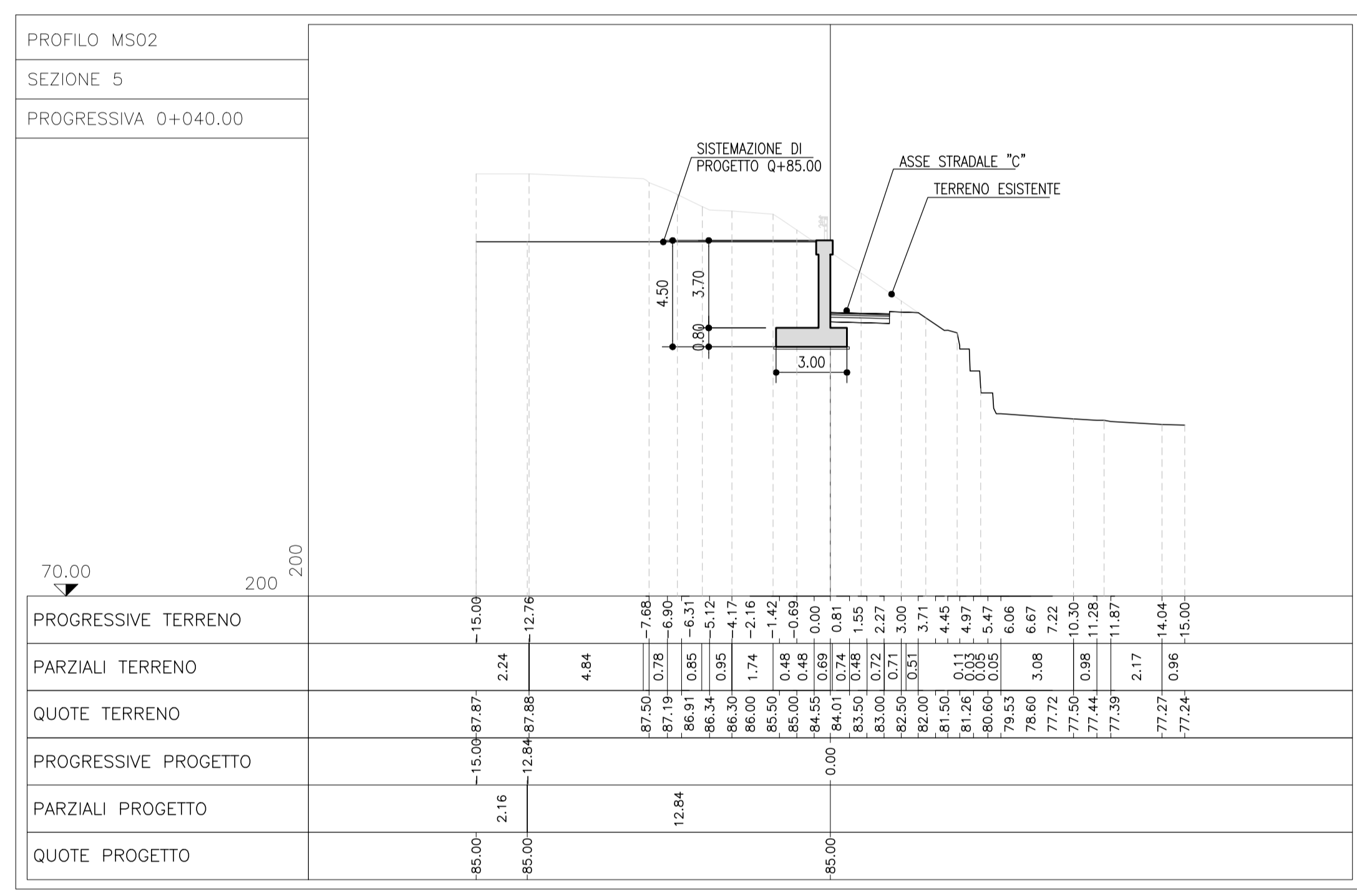


Table with columns for progressive terrain and project, and rows for partial terrain and project. Includes elevation data.

SEZIONE TRASVERSALE TIPOLOGICA A-A 1:100

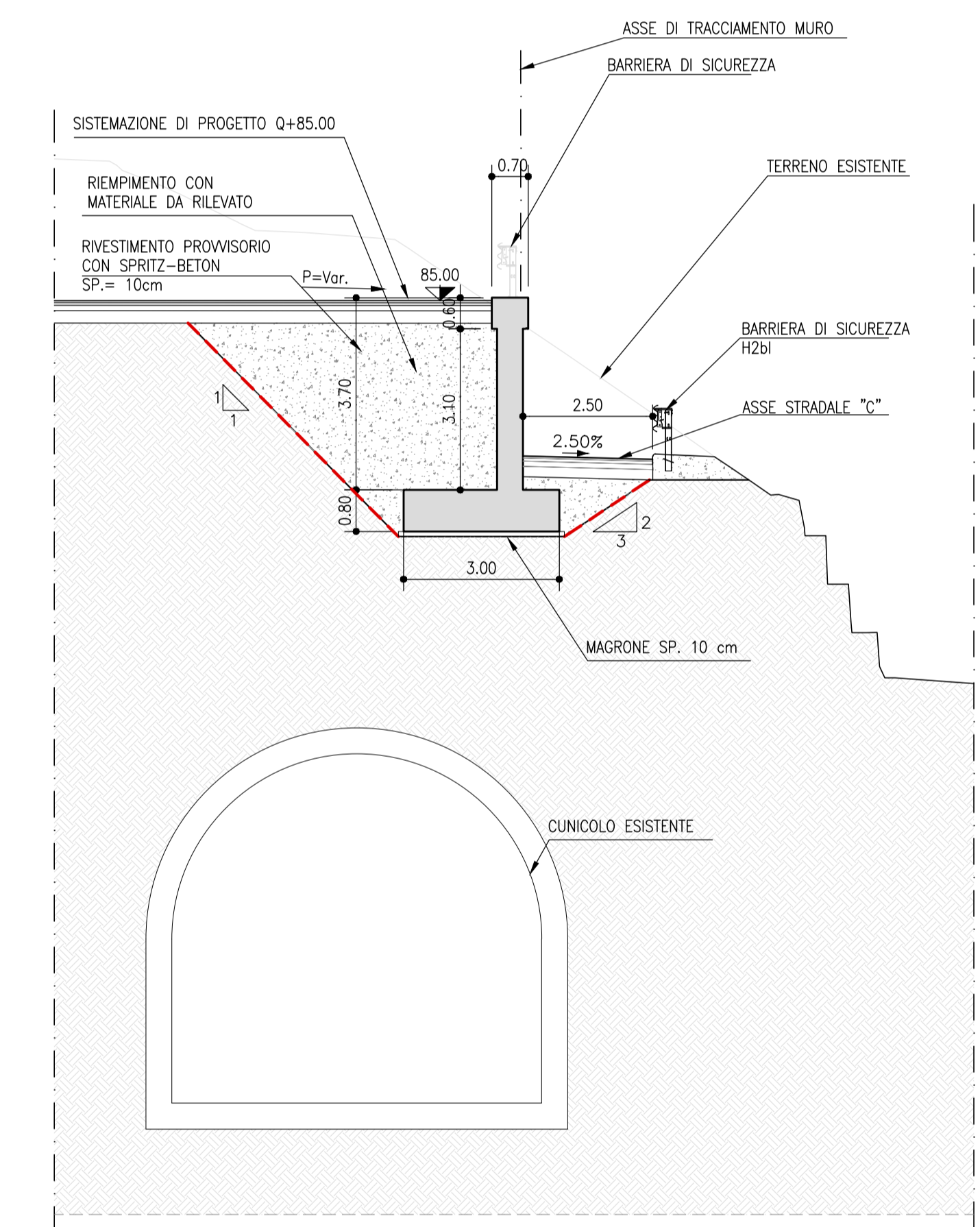


Table titled 'TABELLA MATERIALI' listing materials and their specifications for concrete, steel, and masonry.

SEZIONI TRASVERSALI 1:200 FASE DI SCAVO

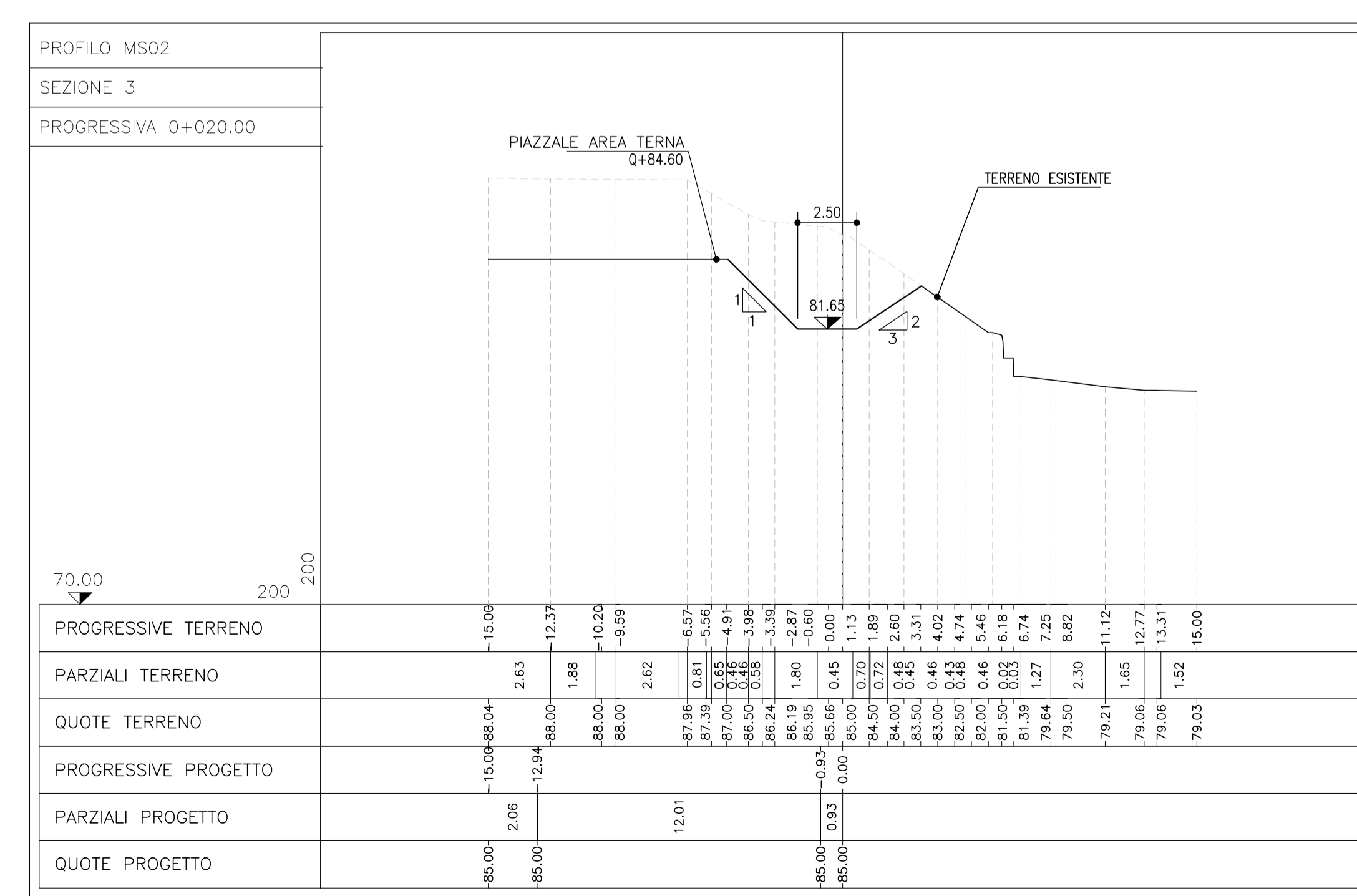


Table with columns for progressive terrain and project, and rows for partial terrain and project. Includes elevation data.

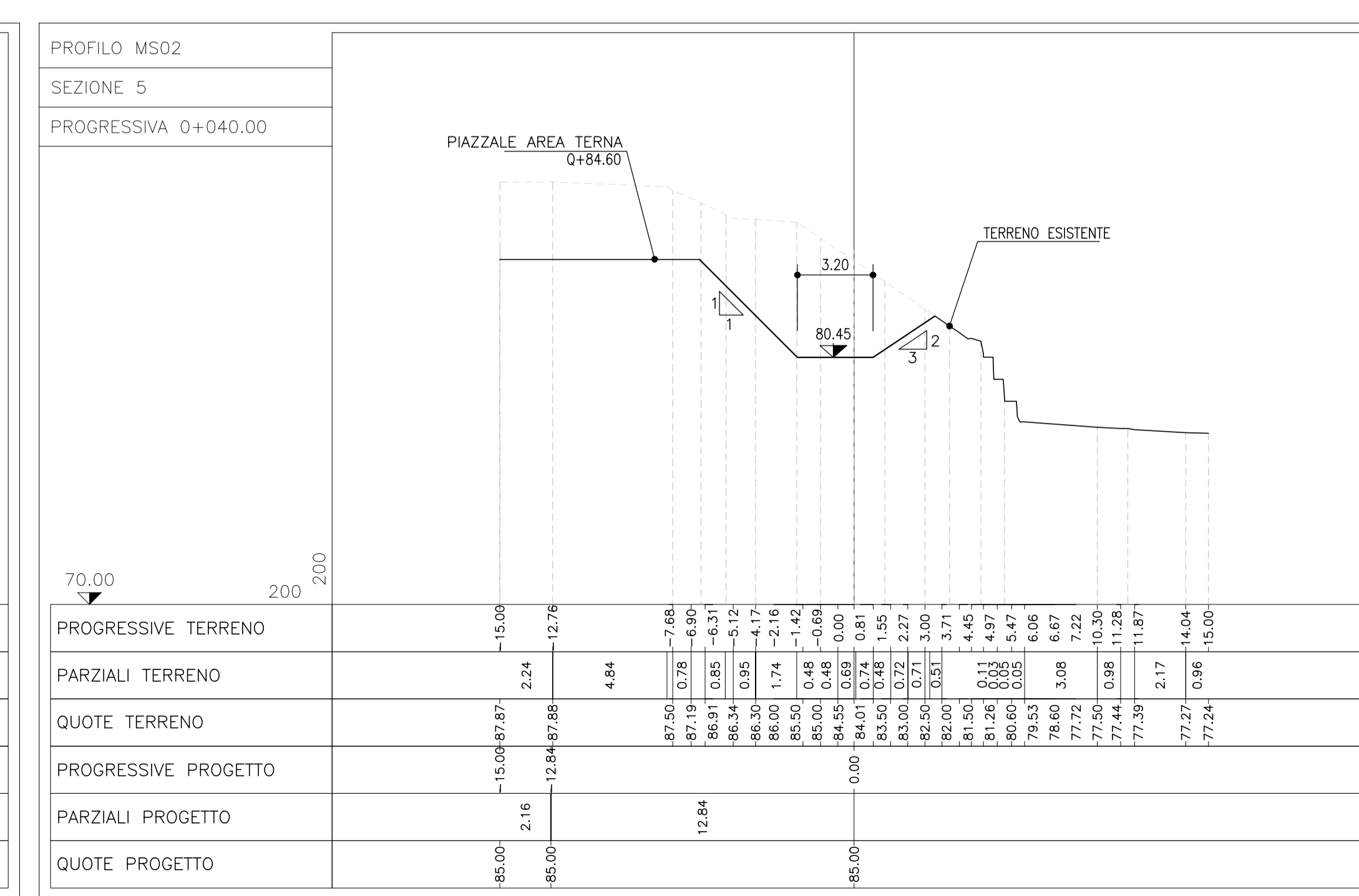
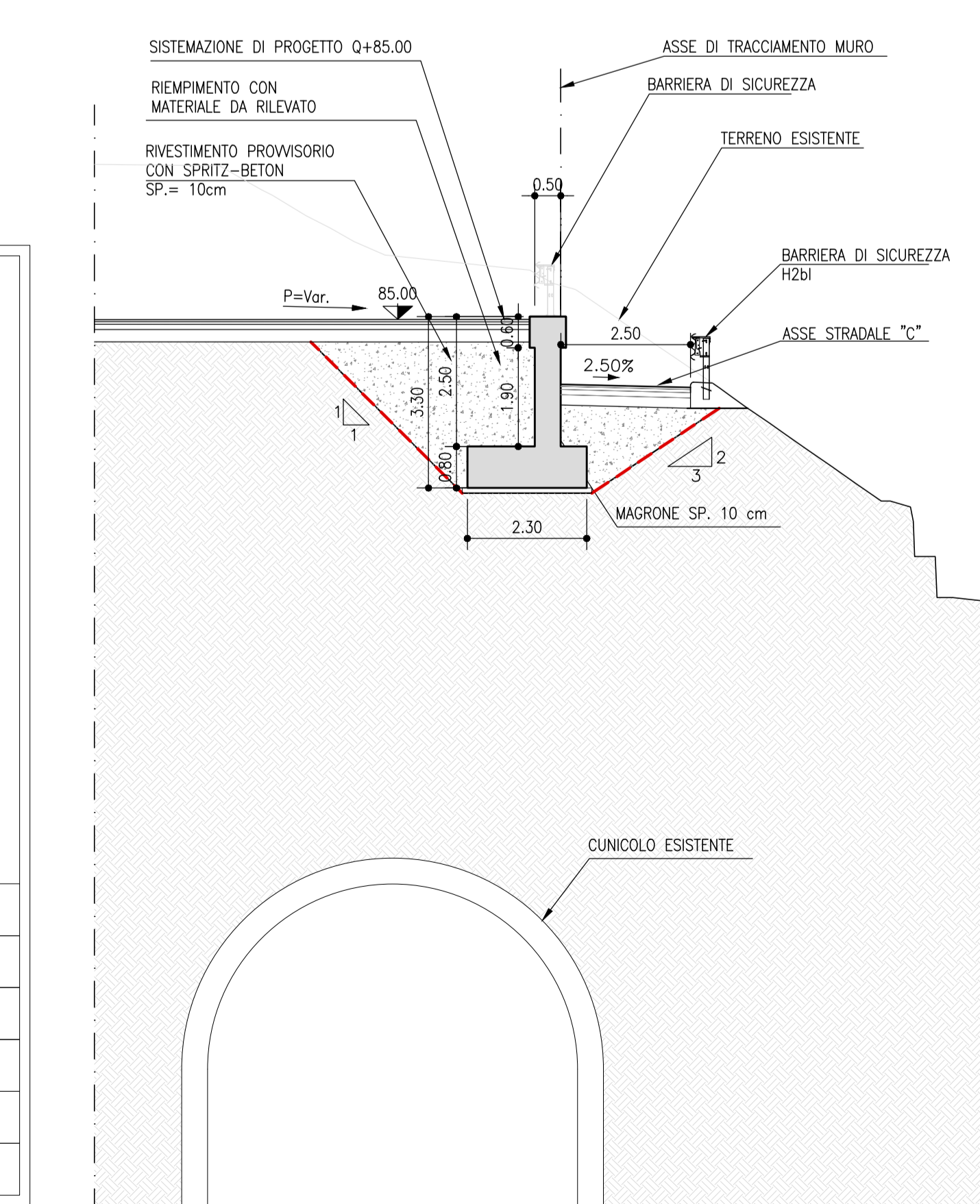


Table with columns for progressive terrain and project, and rows for partial terrain and project. Includes elevation data.

SEZIONE TRASVERSALE TIPOLOGICA B-B 1:100



Project information block including logos for RFI and Italferr, project name 'VAR0031 - SSE BIVIO CORVI', and a detailed table of project milestones and dates.