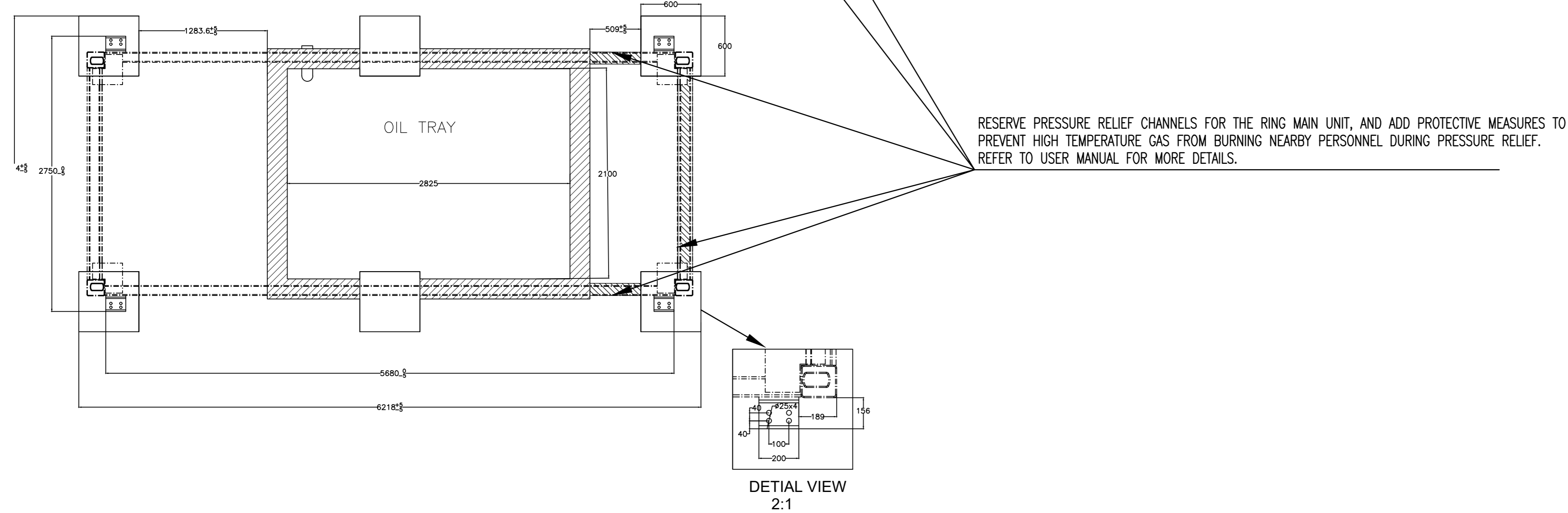
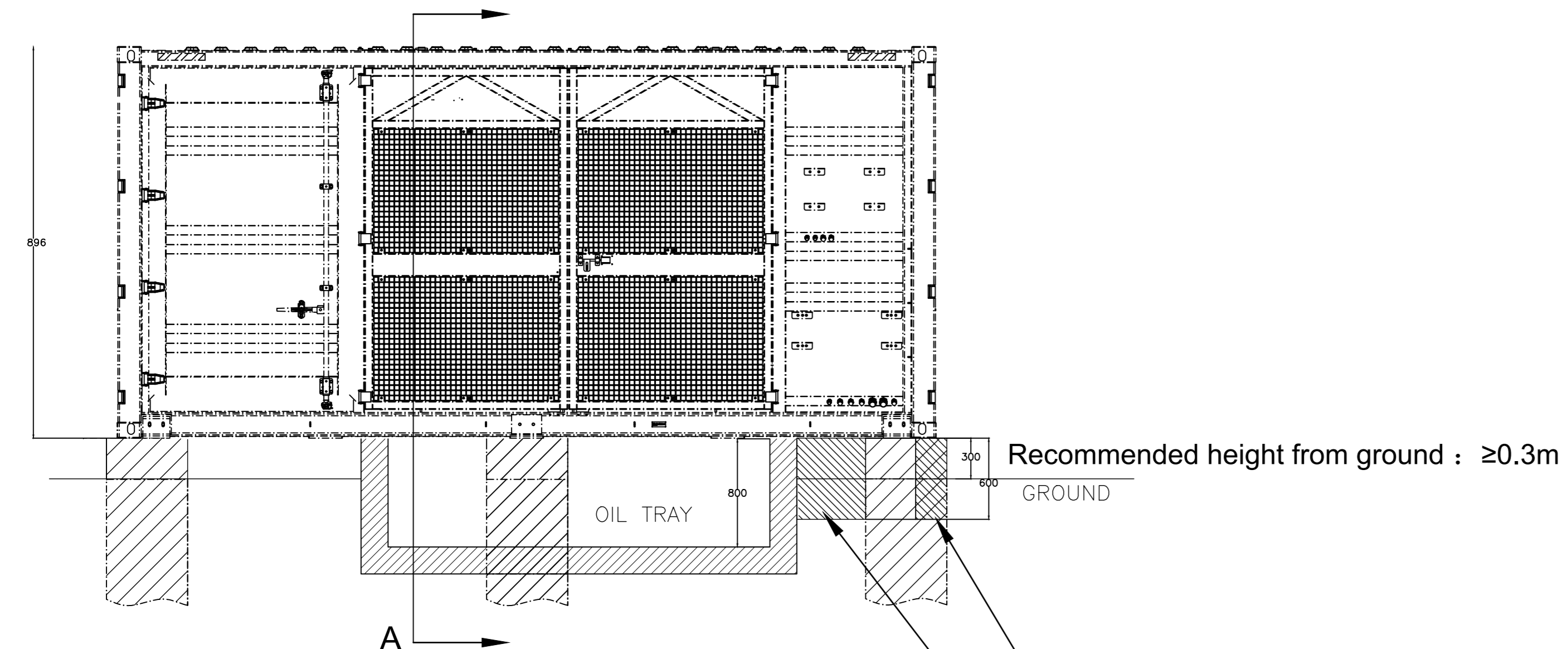
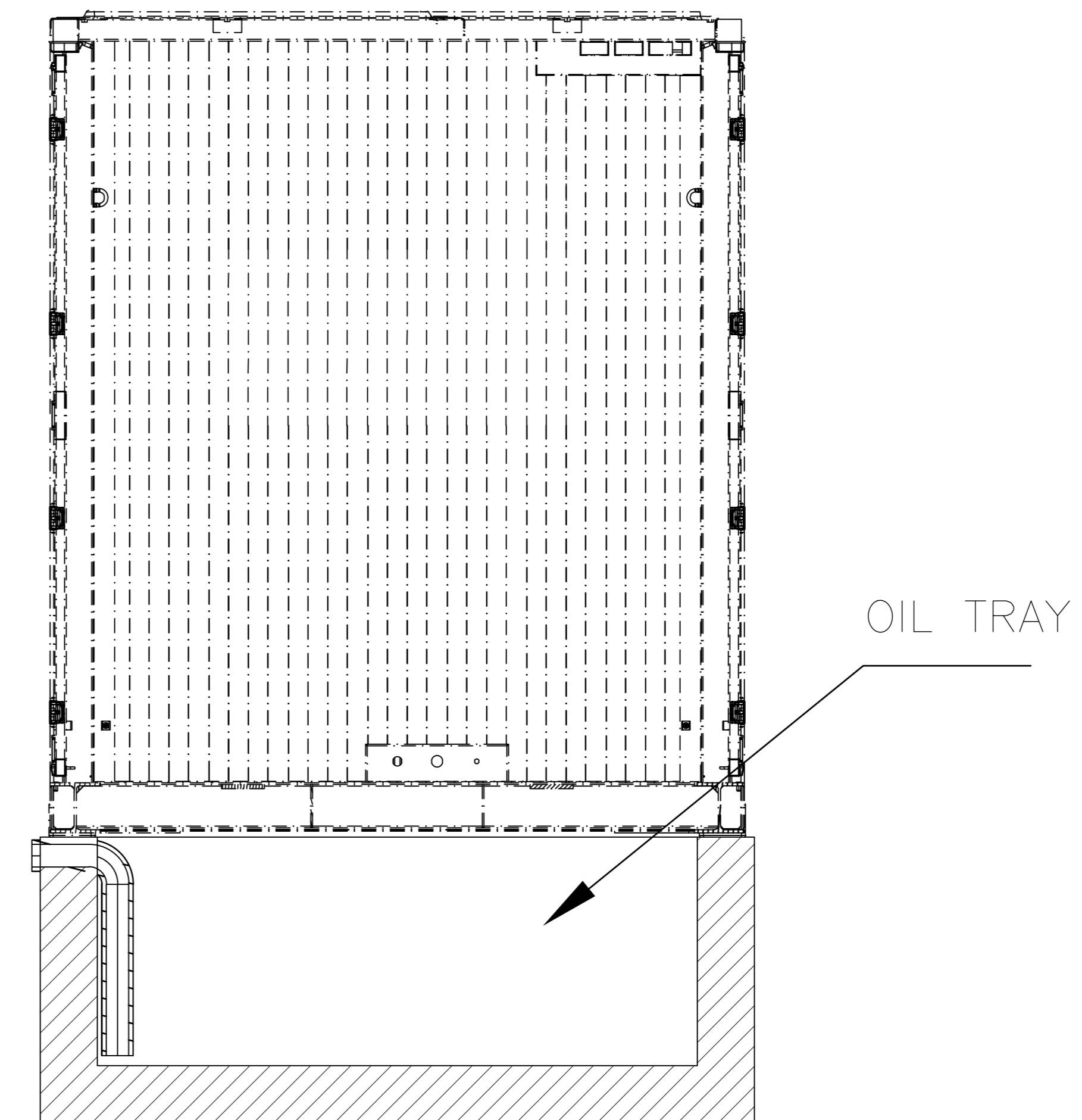
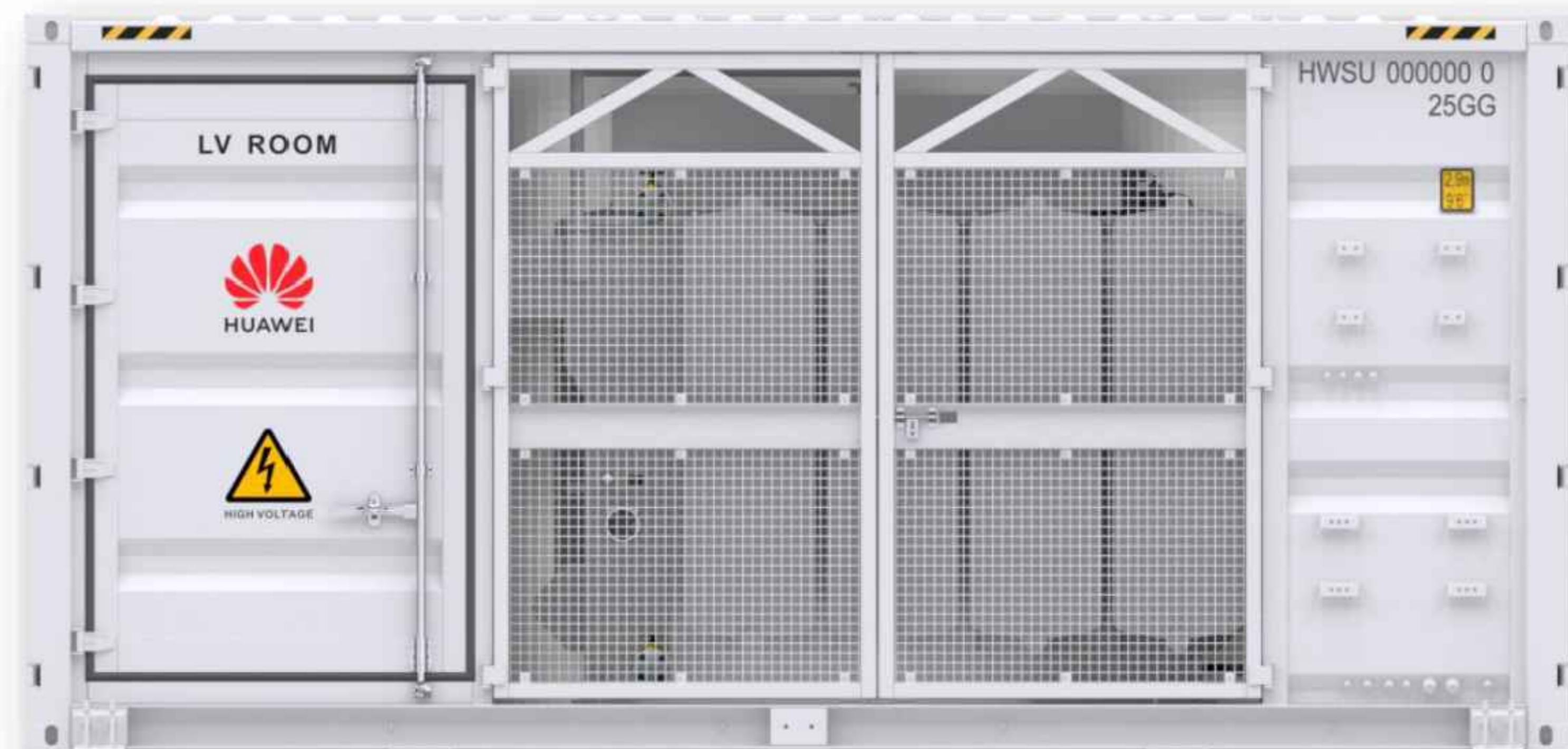
 HUAWEI TECHNOLOGIES Co.LTD		TITLE: Foundation (with oil tray) drawing for STS-6000K-H1			
		DRAW: zhou huan	DATE: 2020-07-10	UNIT'S:	DWG NO.:
THESE DRAWINGS AND SPECIFICATION ARE THE PROPERTY OF HUAWEI TECH Co.,LTD. AND SHOULD NOT BE REPRODUCED COPIED OR USED IN ANY MANNER WITHOUT THE PRIOR WRITTEN CONSENT OF HUAWEI TECH Co.,LTD.	CHKD: yang yanxiong	DATE: 2020-07-10	FINISH:	DWG VER:	
	VRFD: qu yuan	DATE: 2020-07-10	MASS(Kg):	ITEM NO.:	
	APPD: li maofan	DATE: 2020-07-10	SCALE: <b>1:1</b>	ITEM REV:	
	PRODUCT: STS-6000K-H1&STS-3000K-H1	SHEET: 1 OF 1	MAT'L:		



The technical requirement:

1. The size of each cement column is the recommended to be no less than 600x600mm, and the container shall be place in the center of the foundation. Height of the column shall be determined according to the actual situation on site.
2. The outline of the smart transformer station is length\*width:6058mm\*2438mm.
3. The ladder should not block the low voltage and MV cables in and out .The insulation ladder is recommended to be put in front of the door when maintenance.
4. Weight of STS-6000K-H1 is no more than 22 t. and transformer oil is mineral oil, noncorrosive. And the Volume of transformer oil is about 3850L (about 3.4t).
5. Unmarked sizes shall be determined according to onsite conditions.

STS-6000K-H1  
Smart Transformer Station



A-A

 <b>REGIONE SICILIA</b> <b>PROVINCIA DI PALERMO</b> <b>COMUNE DI PIANA DEGLI ALBANESI</b>			
Oggetto:			
PROGETTO PER LA REALIZZAZIONE DI UN IMPIANTO AGRO-FOTOVOLTAICO DELLA POTENZA DI 45,19715 MWp DA UBICARSI NEL TERRITORIO DEL COMUNE DI PIANA DEGLI ALBANESI LOCALITÀ JENCHERIA			
Elaborato:			
RS06EPD0032A0_PianaDegliAlbanesi_Cabina di trasformazione			
TAVOLA:			
EPD0032 			
PROGETTAZIONE:			
  Tecnico Ing. Gaetano Vocca			
SCALA:			
DATA:	REDAZIONE:	CONTROLLO:	APPROVAZIONE:
Novembre 2021			
Codice Progetto: FM.19.001			Rev.: 00 - Presentazione Istanza VIA e AU
<small>Gamian Consulting Srl si riserva la proprietà di questo documento e ne vieta la riproduzione e la divulgazione a terzi se non espressamente autorizzato.</small> SPAZIO RISERVATO ALL'ENTE PUBBLICO			