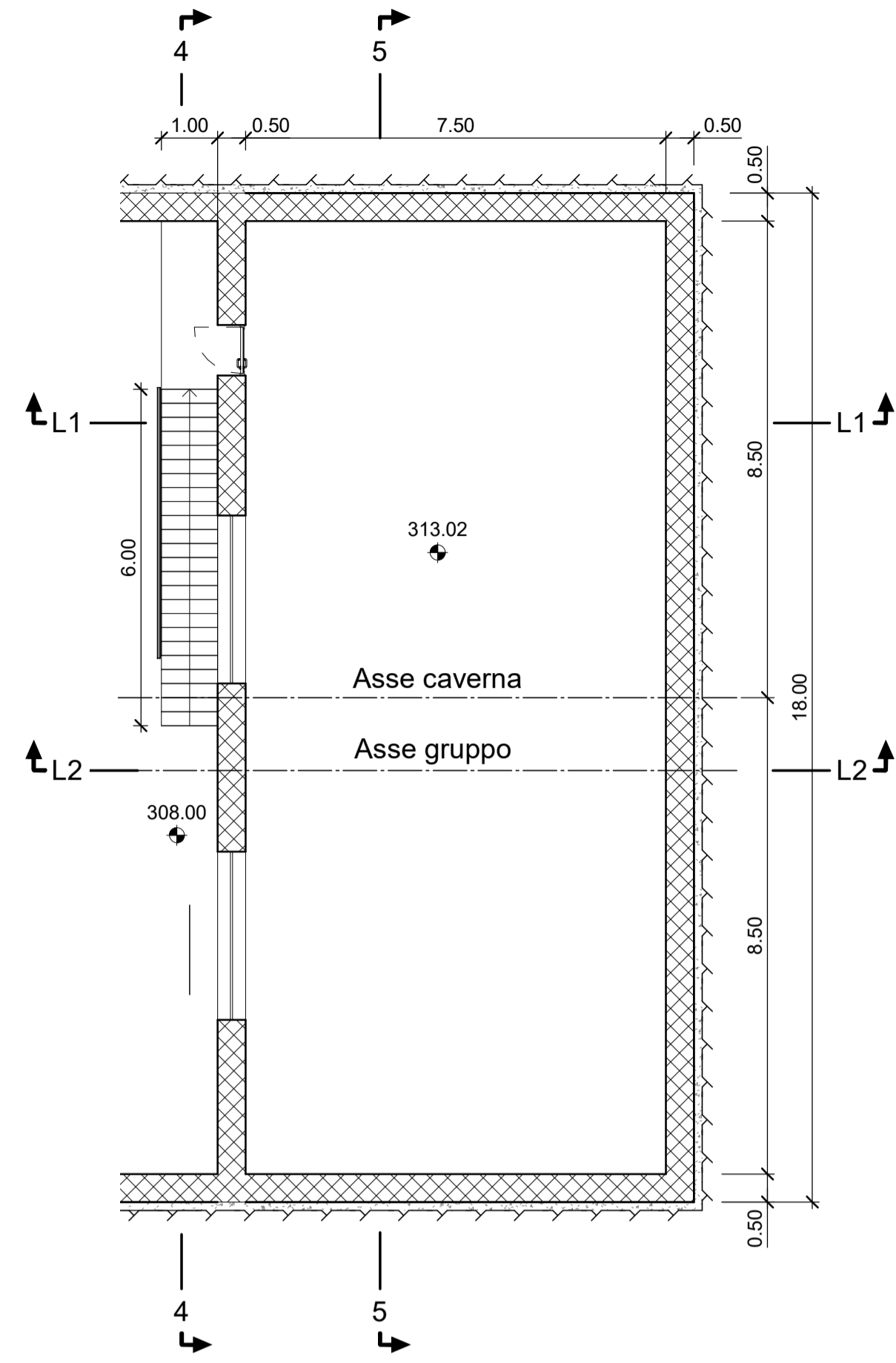


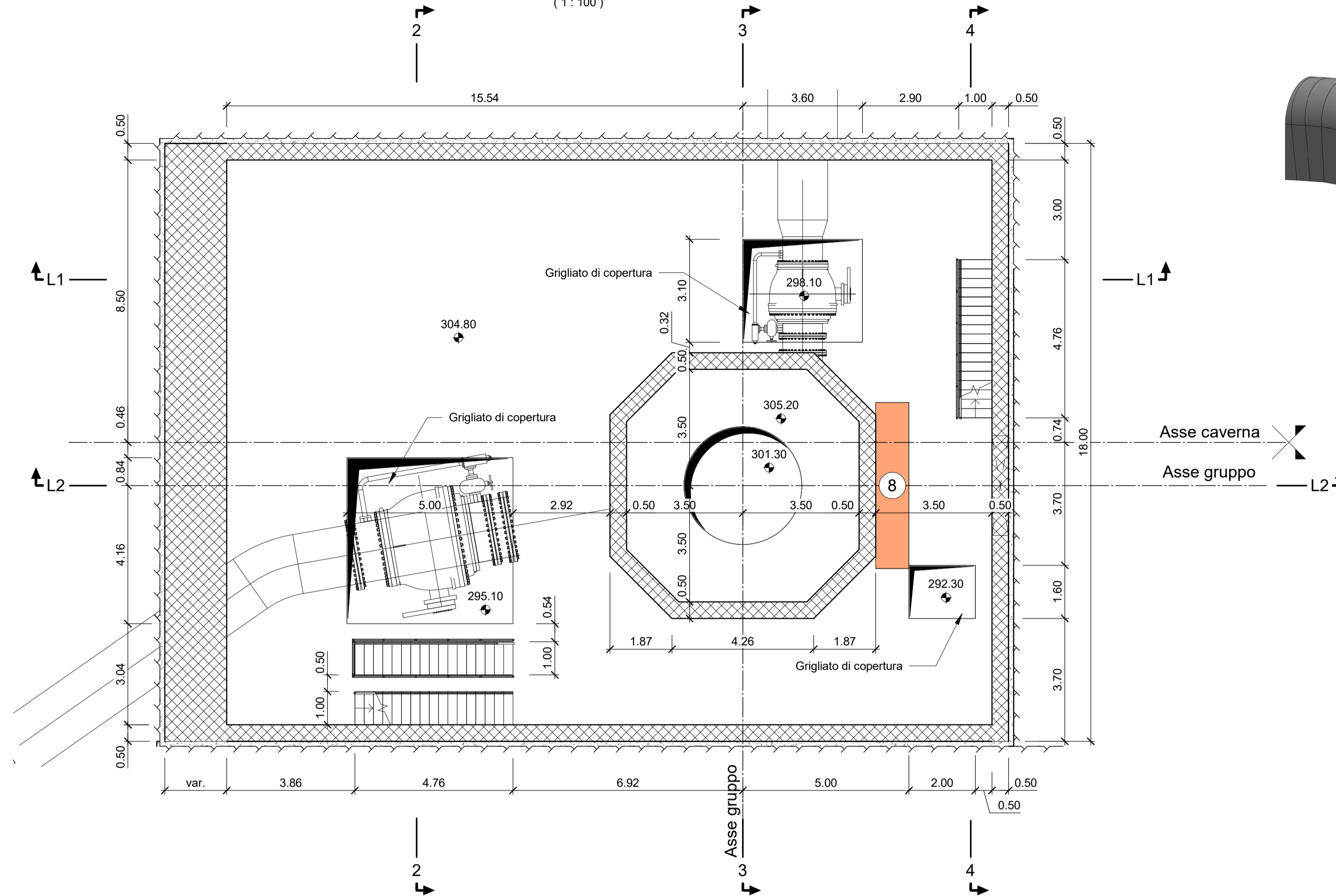
Pianta q.+313.02 (Locale tecnico)

(1:100)

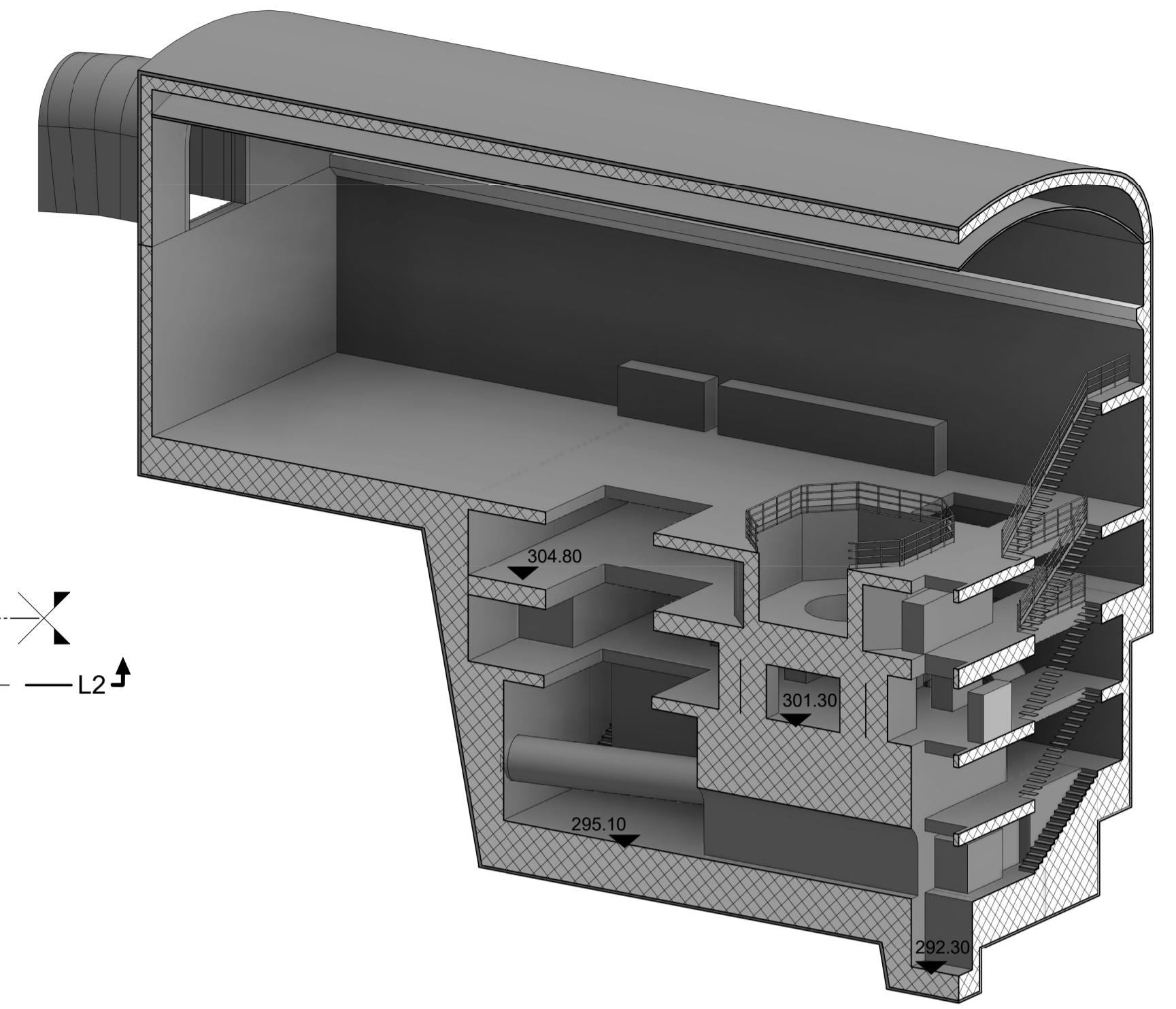


Pianta q.+304.80 (Pianta piano alternatore)

(1:100)

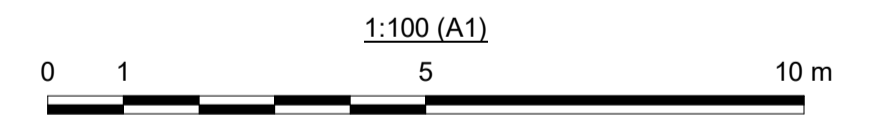
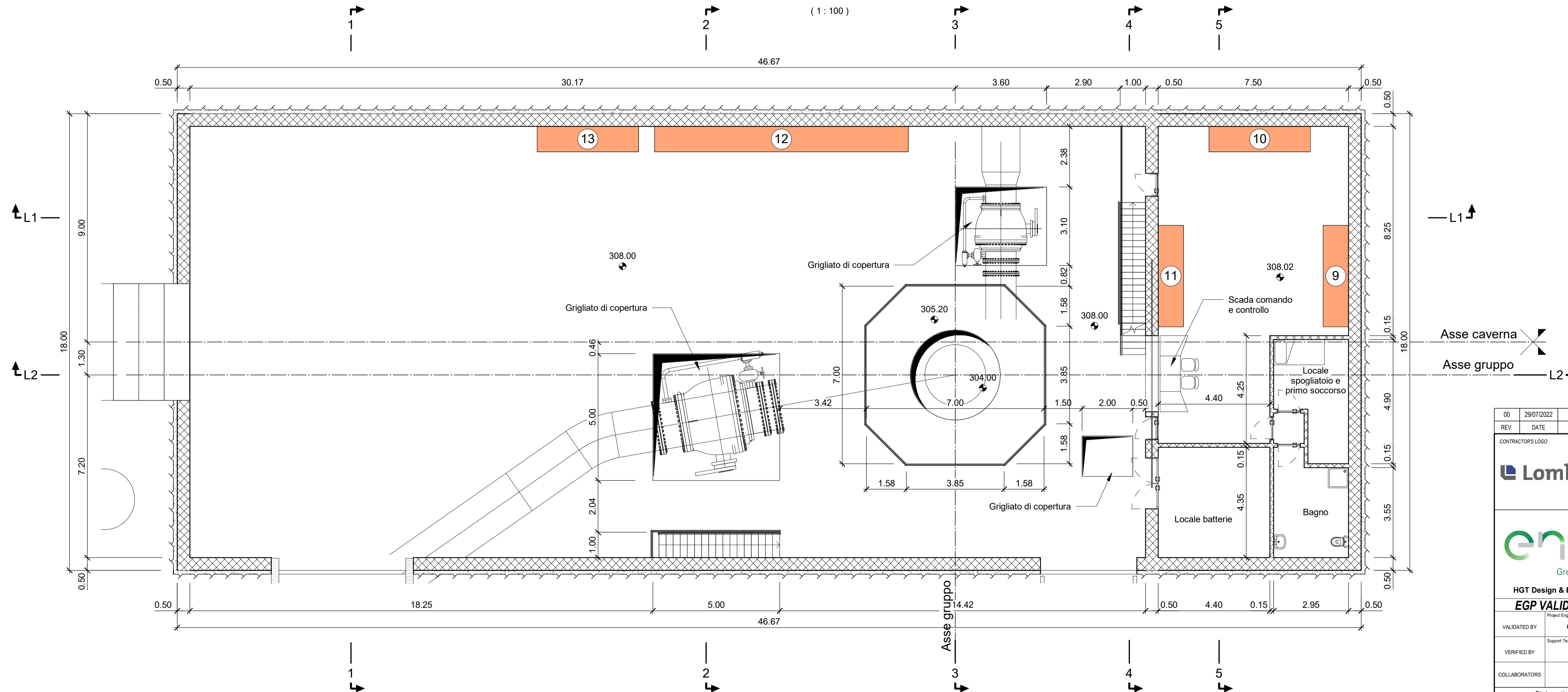


Vista 3D



Pianta q.+308.00 (Piano sala macchine)

(1:100)



00	29/07/2022	Emissione per revisione cliente	D.Longo / A. Guglielmi	F. Maugliani / C. Piccini	A. Balestra
REV	DATE	DESCRIPTION	PREPARED	CHECKED	APPROVED
CONTRACTOR'S LOGO		PROJECT:	Impianto di Valcimarra II Installazione di nuovo gruppo reversibile		
Lombardi		FILE NAME (EGP CODE):	GRE.EEC.D.99.IT.H.17168.00.028.00		
enel Green Power		LOMBARDI CODE:	2021.0047.008-GC-PSP-DW-027		
HGT Design & Execution EGP VALIDATION		CLASSIFICATION:	FORMAT:	SCALE:	PLOT SCALE:
VALIDATED BY: G.RIPPELLINO		Public	A1	1:100	1:1
Support Team		UTILIZATION SCOPE:	TITLE:		
VERIFIED BY:		Progetto Definitivo per Autorizzazione	Stato di Progetto Caverna di centrale Pianta 2/2		
COLLABORATORS:		GROUP:	FUNCTION:	TYPE:	ISSUER:
		GRE EEC	D 9 9 I T H	1 7 1 6 8 0 0 0 2 8 0 0	

This document is property of Enel Green Power S.p.A. It is strictly forbidden to reproduce this document, in whole or in part, and to provide to others any related information without the previous written consent by Enel Green Power S.p.A.