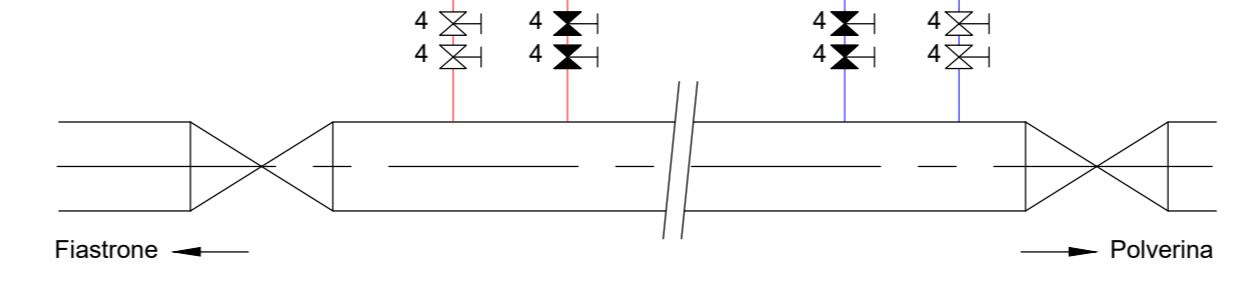
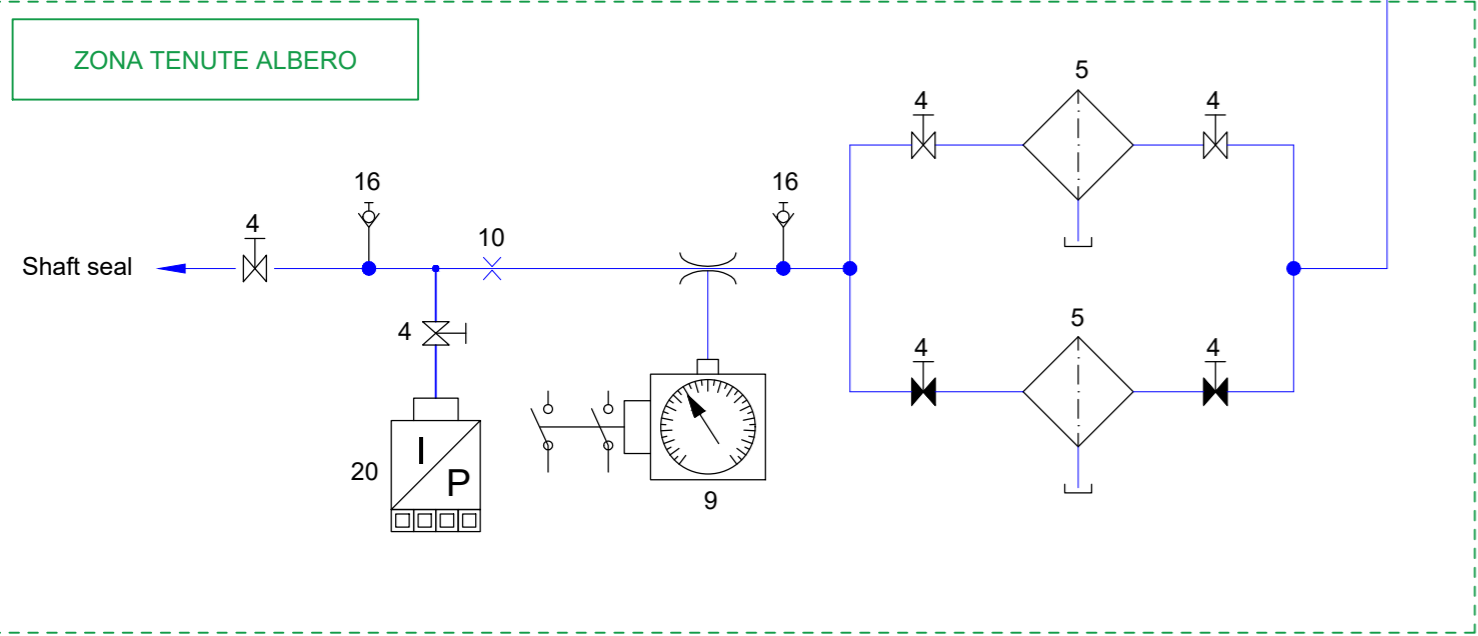
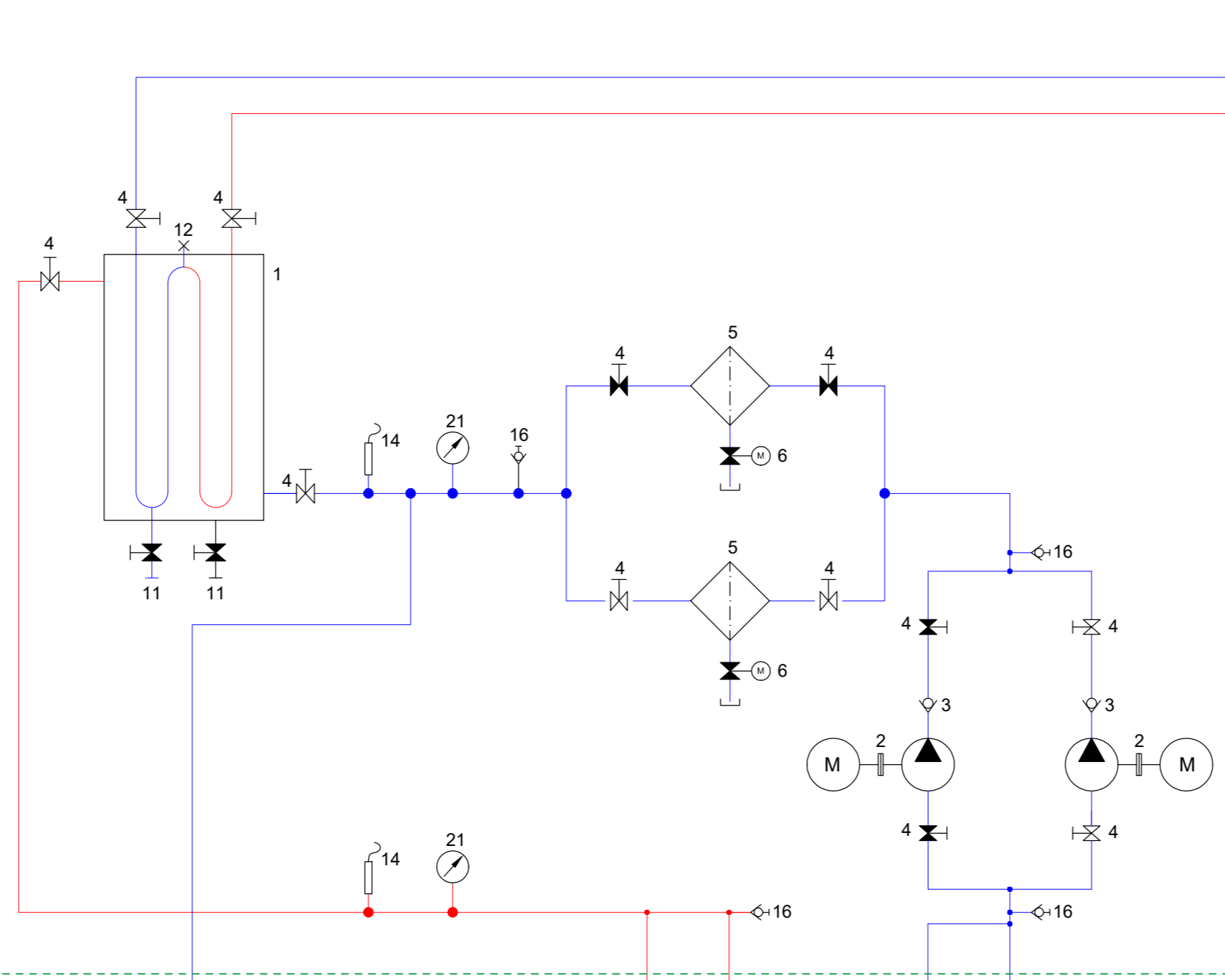
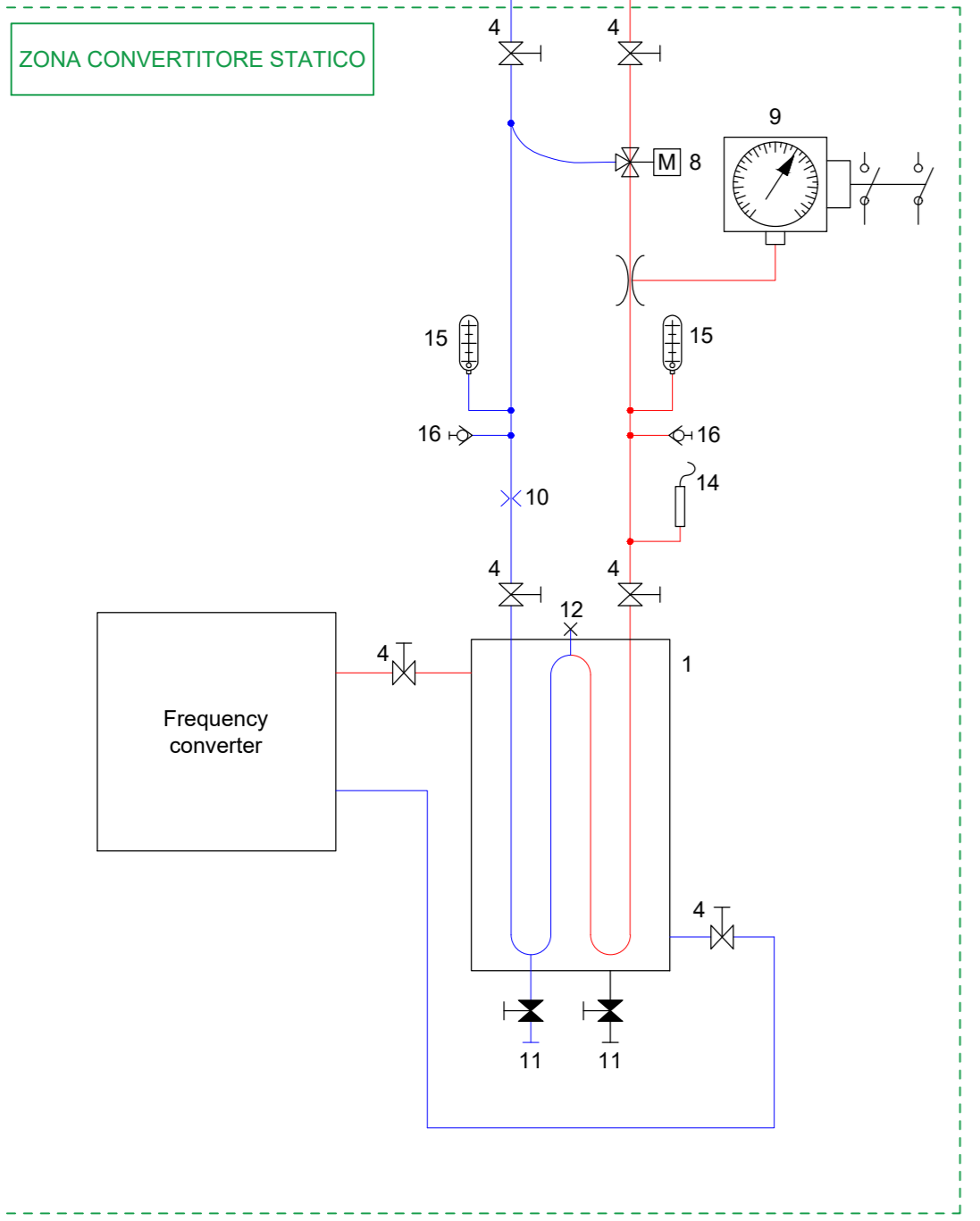


- 1: Heat exchanger
- 2: Moto-pump unit
- 3: Non return valve
- 4: Isolating valve
- 5: Filter
- 6: Flush valve
- 7: Motorized 2-ways valve
- 8: Motorized 3-ways valve
- 9: Flowmeter with contacts
- 10: Diaphragm
- 11: Drainage with valve to tank
- 12: Air vent
- 13: Expansion tank
- 14: Temperature sensor
- 15: Thermometer
- 16: Pressure tap
- 17: Pressure limiter
- 18: Tank
- 19: Filling moto-pump unit
- 20: Pressure sensor
- 21: Manometer



00	30.05.2022	Emissione per revisione Cliente	PREPARED	CHECKED	APPROVED
REV.	DATE	DESCRIPTION	PREPARED	CHECKED	APPROVED

		<b>PROJECT:</b> <b>IMPIANTO DI VALCIMARRA II</b> <b>INSTALLAZIONE DI NUOVO GRUPPO REVERSIBILE</b>			
		FILE NAME (EGP CODE): <b>GRE.EEC.D.29.IT.H.53223.00.143.00</b>	LOMBARDI CODE: <b>2021.0047.008-HM-PSP-DW-045</b>		
<b>HGT Design &amp; Execution</b> <b>EGP VALIDATION</b>		CLASSIFICATION: <b>Public</b>	FORMAT: <b>A2</b>	SCALE: <b>%</b>	PLOT SCALE: <b>1:1</b>
VALIDATED BY: <b>G. Ripellino</b> SUPPORT TEAM: <b>F. Podio</b>		UTILIZATION SCOPE: <b>Progetto Definitivo per Autorizzazione</b>		TITLE: <b>Stato di Progetto</b> <b>Schema sistema di raffreddamento e acqua pulita per tenute albero</b>	
EGP CODE					
GROUP: <b>GREEEC</b>	FUNCTION: <b>D99</b>	TYPE: <b>ITH</b>	COUNTRY: <b>171</b>	TEC.: <b>16800</b>	PLANT: <b>004500</b>
This document is property of Enel Green Power SpA. It is strictly forbidden to reproduce this document, in whole or in part, and to provide to others any related information without the previous written consent by Enel Green Power SpA.					