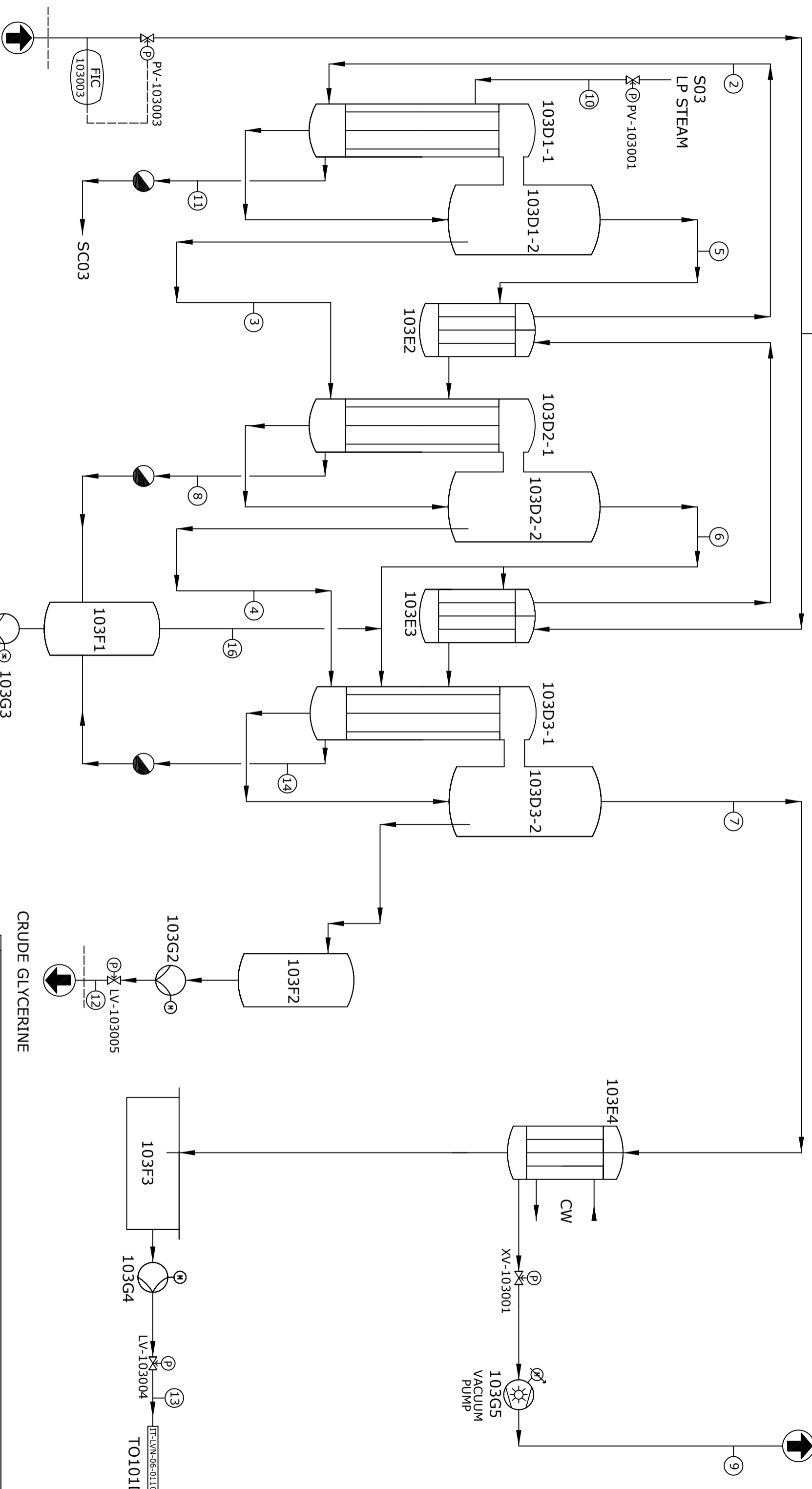


EXHAUST AIR



IT-LVN-06-01105-03

GLYCERINE WATER

STREAM NUMBER	1	2	3	4	5	6	7	8	9	10	11	12	13	14	15	16
MEDIUM	GLY WATER	GLY WATER	GLY WATER	GLY WATER	WATER VAPOUR	WATER VAPOUR	WATER VAPOUR	CONDENSATE	GAS	SL STEAM	SL CONDENSATE	CRUDE GLY	CONDENSATE	CONDENSATE	PROCESS WATER	WATER VAPOUR
MASS FLOWRATE (kg/h)	7000	7000	4855	3015	1870	1500	1584	2120	8	2610	2610	1425	1634	1875	3935	60
TEMP °C	50	100	124	111	119	104	58	119	45	144	144	78	55	104	104	104
PRESSURE	6	5	192	117	192	117	0,18	192	1,01	4	4	4	4	117	4	117
PHASE	L	L	L	L	V	V	V	L	V	V	V	L	L	L	L	V

IT-LVN-06-01103-04 TO 101D9

CRUDE GLYCERINE

**Cliente/locchio**  
**MASOL CONTINENTAL BIOFUEL**  
 Via Leonardo da Vinci 35/A  
 57123 Livorno

**PROCESS FLOW DIAGRAM**

Contenuto tavola: **scale** 1:100

REVISIONE	DATA	DESCRIZIONE
04	27.07.2021	AGGIORNAMENTO STREAM NUMBER
03	14.03.2021	INSER. PV

FORMA: **A3** | DESIGNER: **MS103-P-103-01** | SCALE: **SCALE:**

CODICE ELABORATO: **IT-LVN-06-16-01106-04** | ELABORATE CODE: **IT-LVN-06-16-01106-04** | REVISION NUMBER: **REVISION NUMBER:**