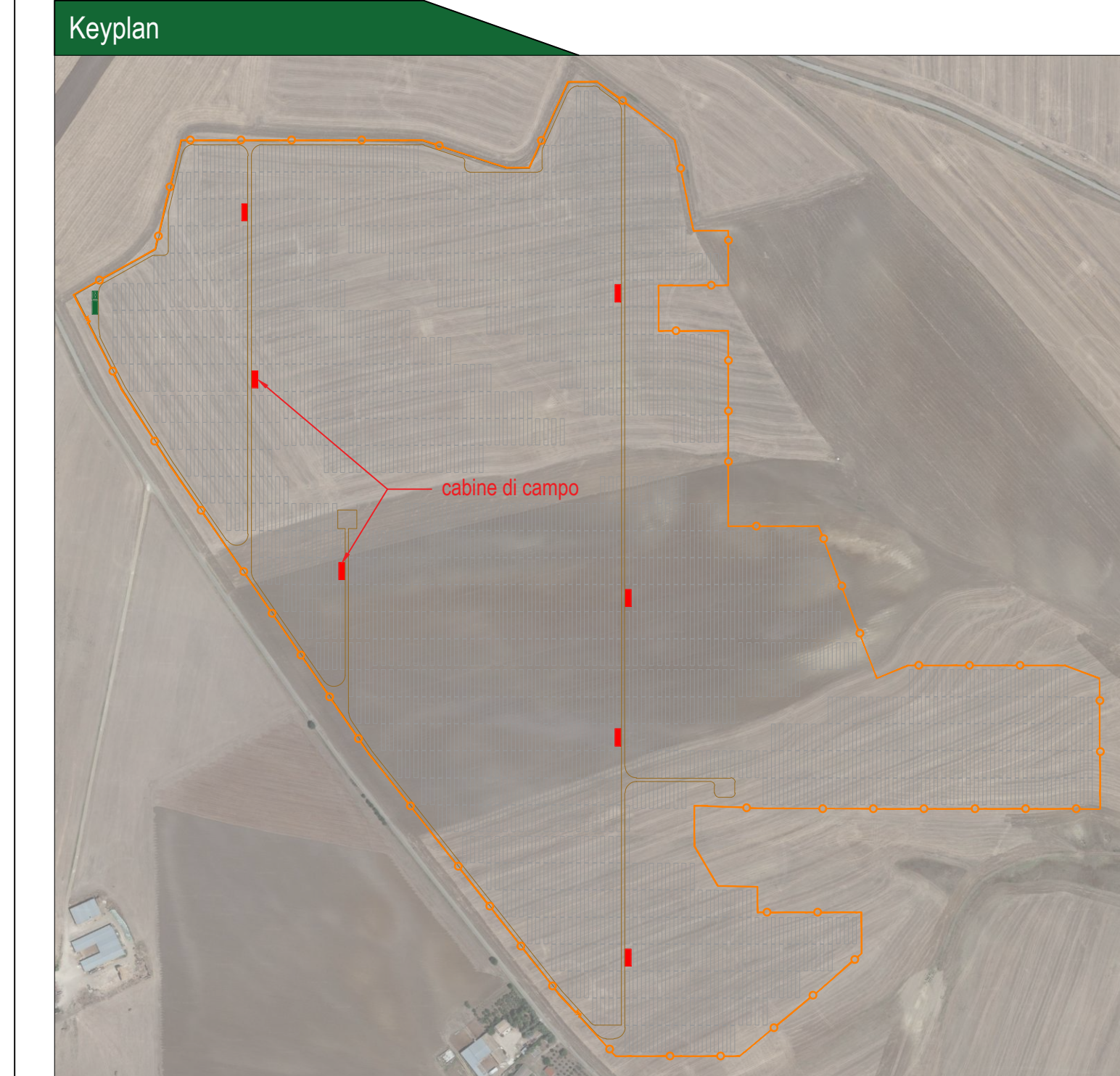
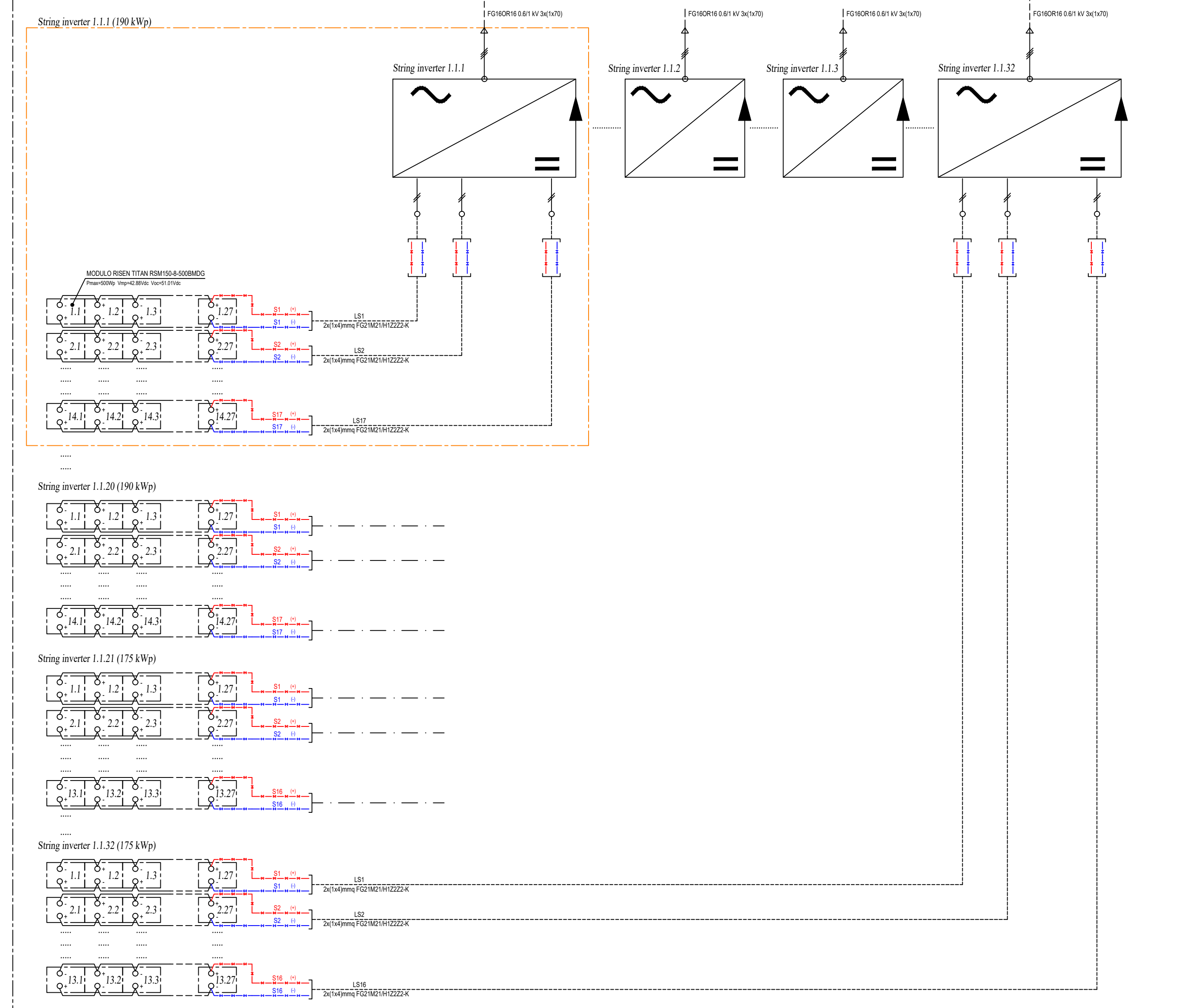
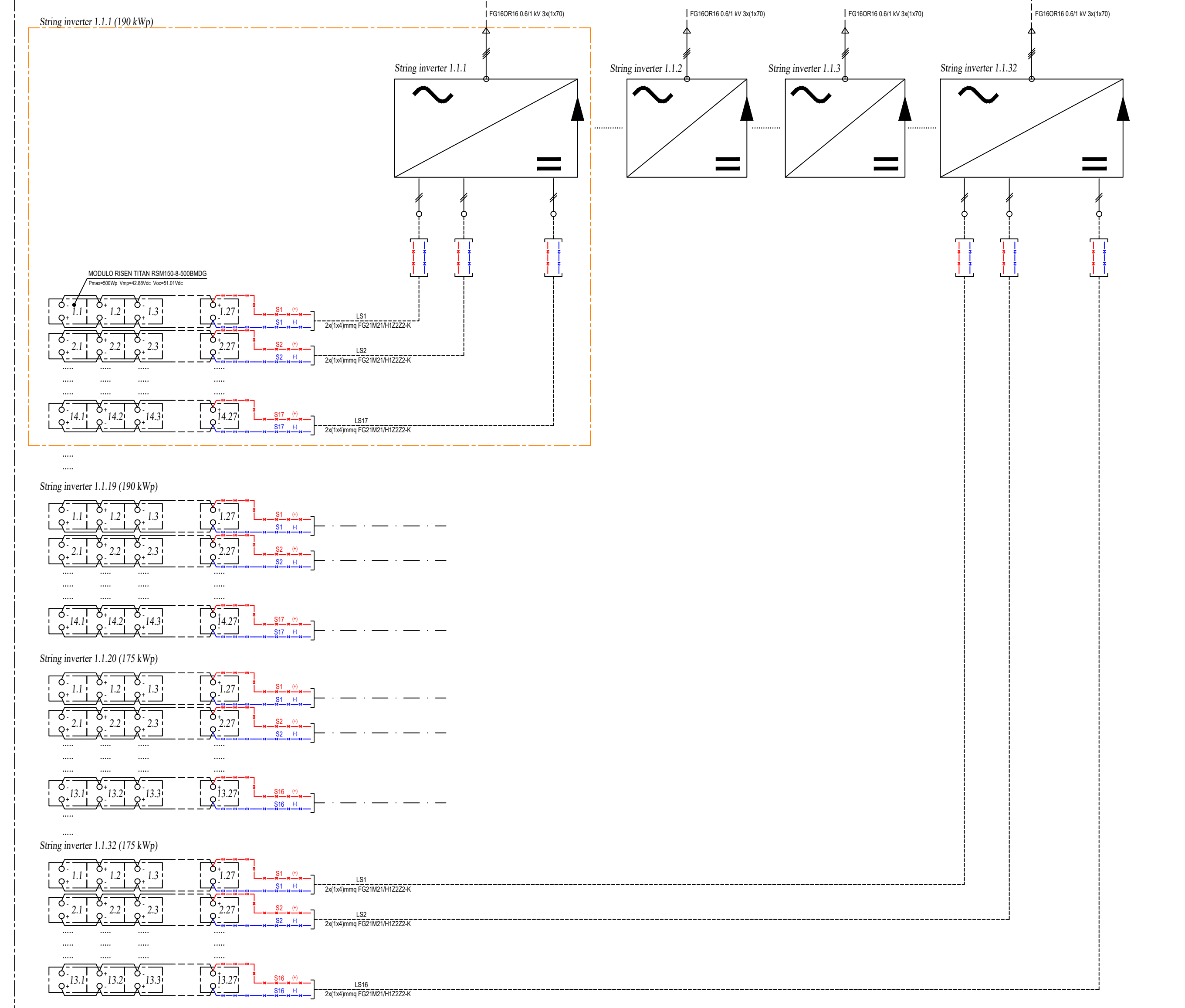
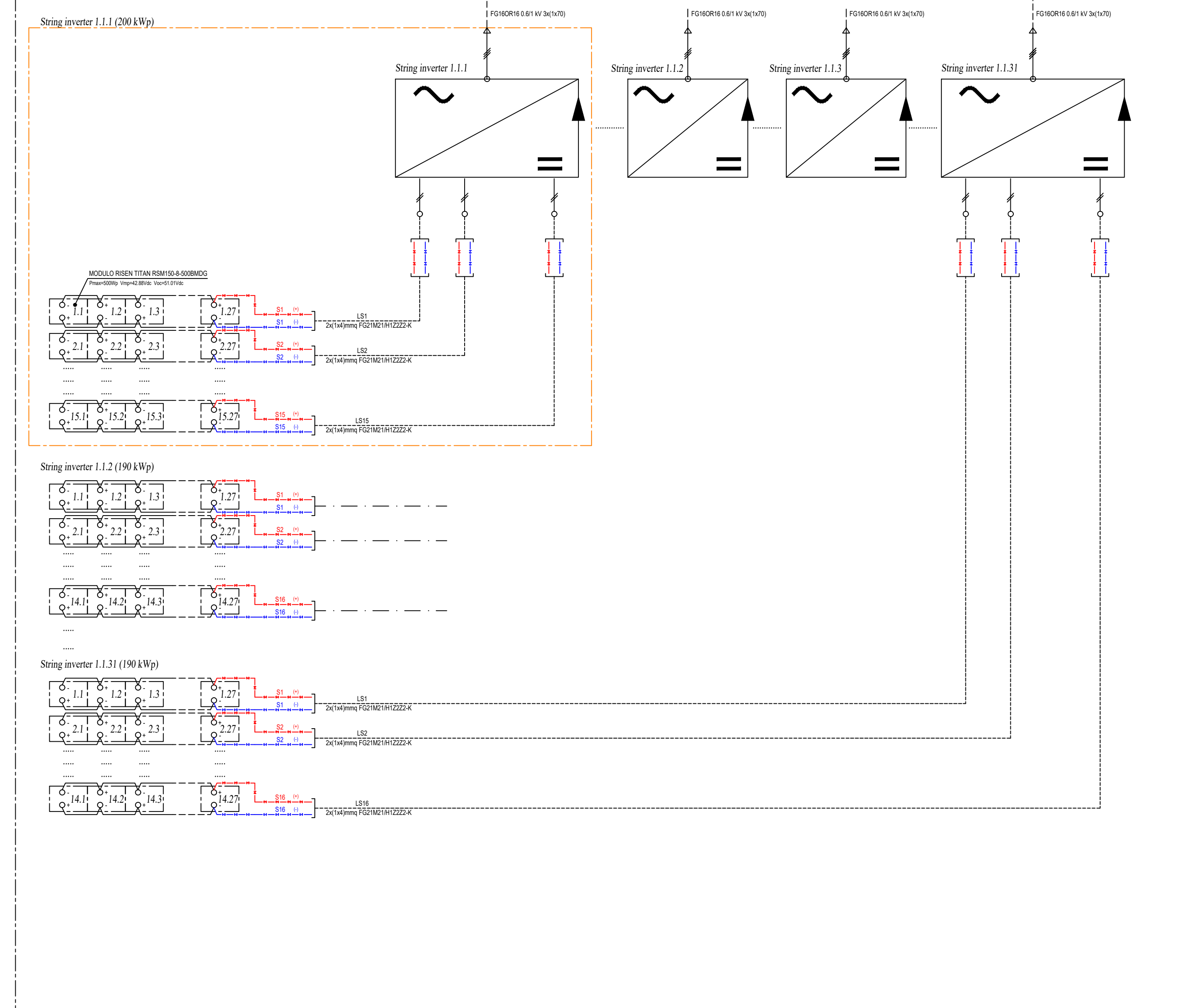
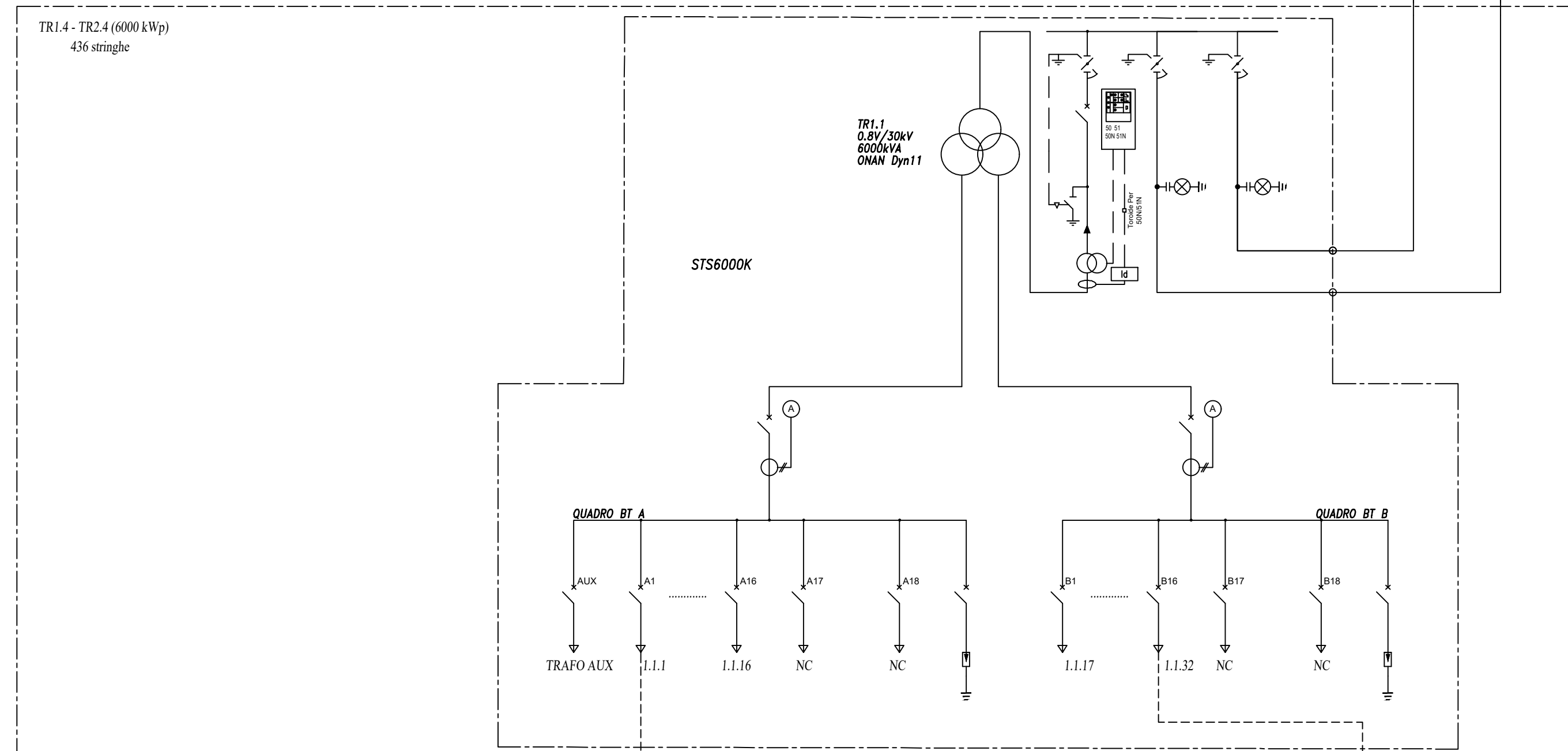
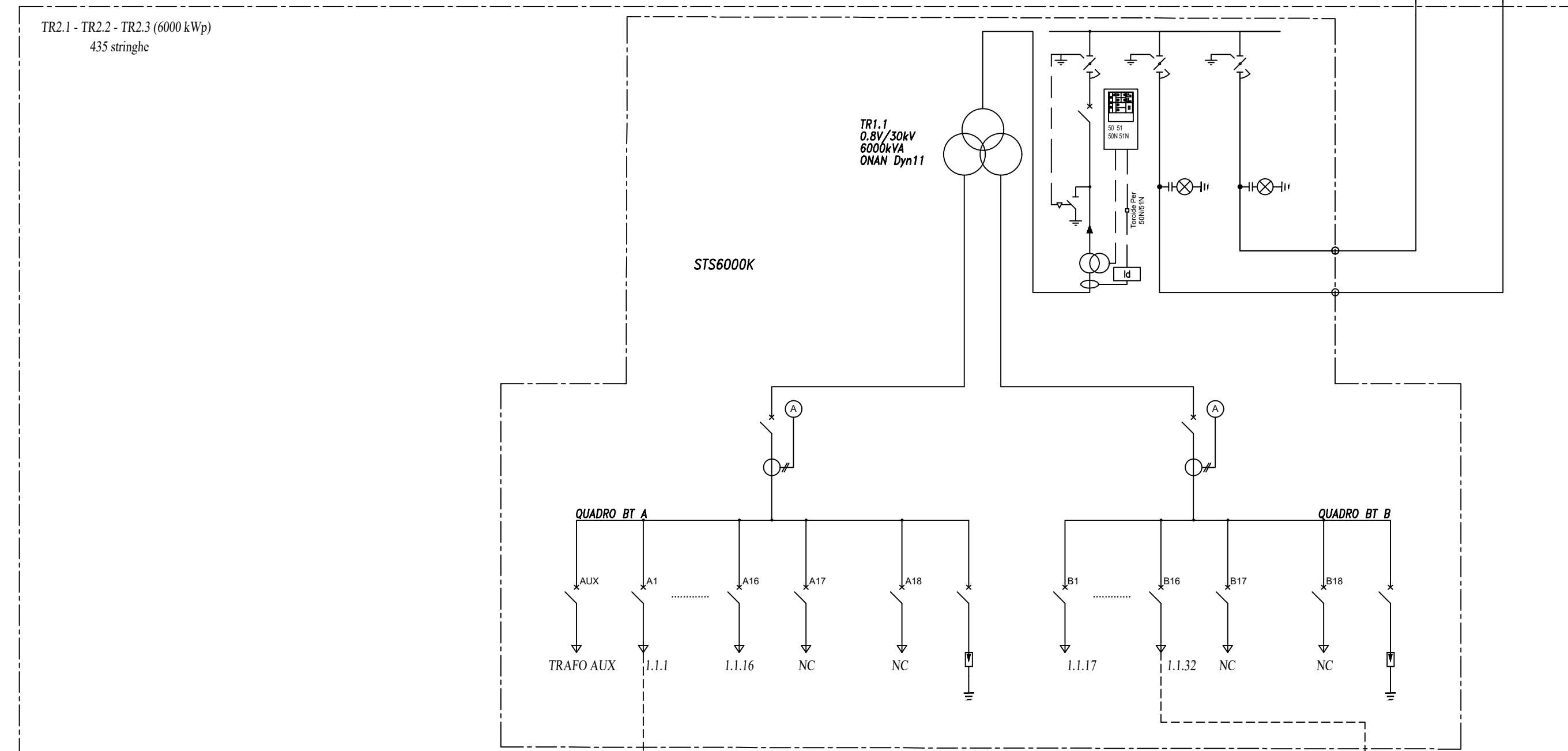
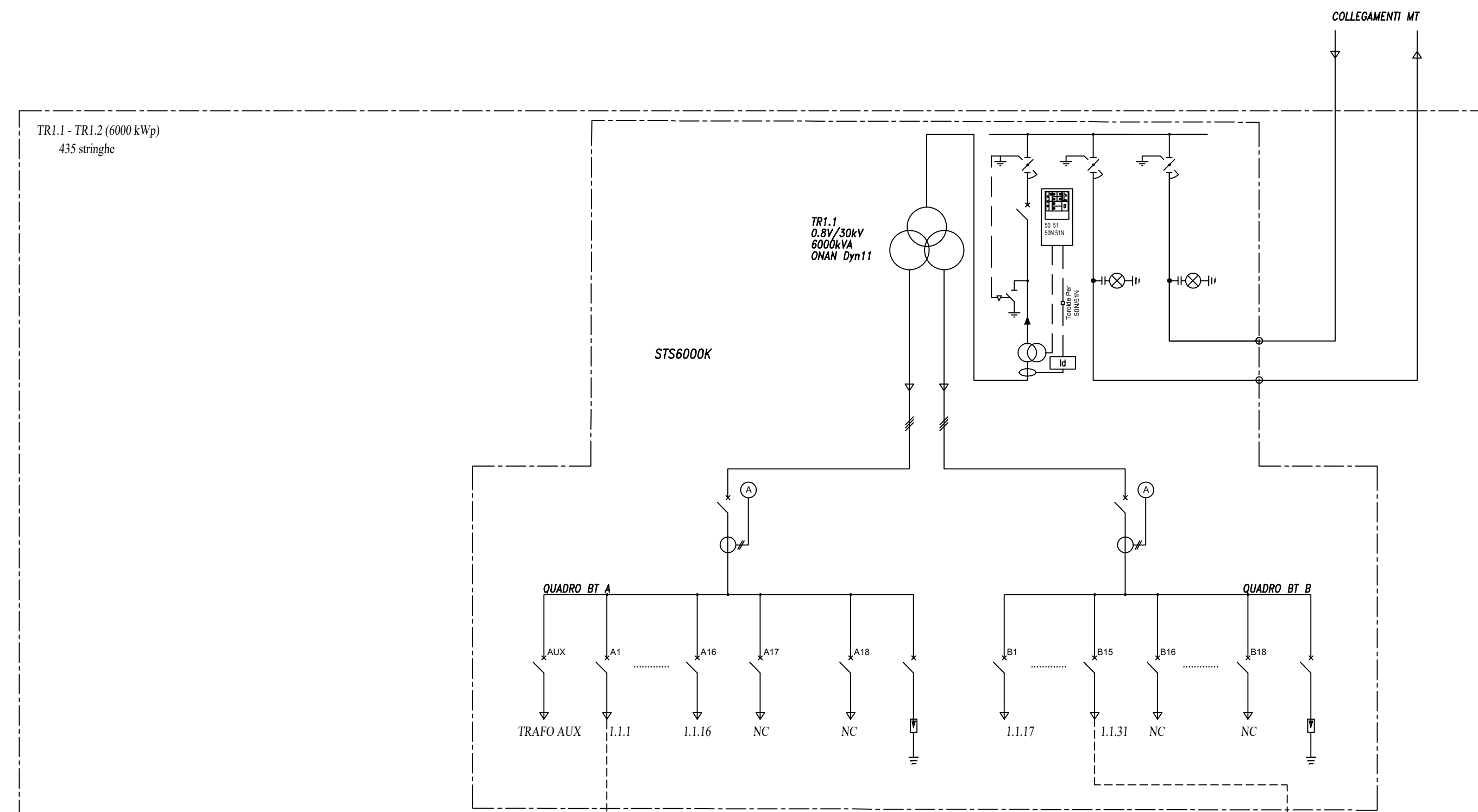


Generatore fotovoltaico



CITTA' DI SPINAZZOLA
prov. di Barletta-Andria-Trani
REGIONE PUGLIA

IMPIANTO AGROVOLTAICO "VENTURA"
della potenza in immissione 40,00 MW e 47,00 MW in DC
PROGETTO DEFINITIVO

COMMITTENTE:
SONNEDIX SANTA CATERINA s.r.l.
Via Ettore de' Sonnaz, 19 - 10123 Torino (TO)
P.IVA: 12214320017
Tel. 02 49524310
email:pec_sacaterina_pcc@maildoc.it

PROGETTAZIONE:
TEKNE SOCIETA' DI INGEGNERIA
TEKNE s.r.l.
Via Vincenzo Galvani, 11 - 70125 ANDRIA
Tel +39 0883 502174 - 502175 - Fax +39 0883 502915
www.progettare.it - email:contatti@progettare.it

PROGETTISTA:
Dot. Ing. Renato Pertuso
(Qualifica Tecnica)

LEGALE RAPPRESENTANTE:
dot. Renato Mansi

PROGETTO DEFINITIVO

PD

SCHEMA UNIFILARE DI CAMPO

Tavola: IE03

File name: TR1-TR2-TR3-TR4-TR5-TR6-TR7-TR8-TR9-TR10-TR11-TR12-TR13-TR14-TR15-TR16-TR17-TR18-TR19-TR20-TR21-TR22-TR23-TR24-TR25-TR26-TR27-TR28-TR29-TR30-TR31-TR32-TR33-TR34-TR35-TR36-TR37-TR38-TR39-TR40-TR41-TR42-TR43-TR44-TR45-TR46-TR47-TR48-TR49-TR50-TR51-TR52-TR53-TR54-TR55-TR56-TR57-TR58-TR59-TR60-TR61-TR62-TR63-TR64-TR65-TR66-TR67-TR68-TR69-TR70-TR71-TR72-TR73-TR74-TR75-TR76-TR77-TR78-TR79-TR80-TR81-TR82-TR83-TR84-TR85-TR86-TR87-TR88-TR89-TR90-TR91-TR92-TR93-TR94-TR95-TR96-TR97-TR98-TR99-TR100-TR101-TR102-TR103-TR104-TR105-TR106-TR107-TR108-TR109-TR110-TR111-TR112-TR113-TR114-TR115-TR116-TR117-TR118-TR119-TR120-TR121-TR122-TR123-TR124-TR125-TR126-TR127-TR128-TR129-TR130-TR131-TR132-TR133-TR134-TR135-TR136-TR137-TR138-TR139-TR140-TR141-TR142-TR143-TR144-TR145-TR146-TR147-TR148-TR149-TR150-TR151-TR152-TR153-TR154-TR155-TR156-TR157-TR158-TR159-TR160-TR161-TR162-TR163-TR164-TR165-TR166-TR167-TR168-TR169-TR170-TR171-TR172-TR173-TR174-TR175-TR176-TR177-TR178-TR179-TR180-TR181-TR182-TR183-TR184-TR185-TR186-TR187-TR188-TR189-TR190-TR191-TR192-TR193-TR194-TR195-TR196-TR197-TR198-TR199-TR200-TR201-TR202-TR203-TR204-TR205-TR206-TR207-TR208-TR209-TR210-TR211-TR212-TR213-TR214-TR215-TR216-TR217-TR218-TR219-TR220-TR221-TR222-TR223-TR224-TR225-TR226-TR227-TR228-TR229-TR230-TR231-TR232-TR233-TR234-TR235-TR236-TR237-TR238-TR239-TR240-TR241-TR242-TR243-TR244-TR245-TR246-TR247-TR248-TR249-TR250-TR251-TR252-TR253-TR254-TR255-TR256-TR257-TR258-TR259-TR260-TR261-TR262-TR263-TR264-TR265-TR266-TR267-TR268-TR269-TR270-TR271-TR272-TR273-TR274-TR275-TR276-TR277-TR278-TR279-TR280-TR281-TR282-TR283-TR284-TR285-TR286-TR287-TR288-TR289-TR290-TR291-TR292-TR293-TR294-TR295-TR296-TR297-TR298-TR299-TR300-TR301-TR302-TR303-TR304-TR305-TR306-TR307-TR308-TR309-TR310-TR311-TR312-TR313-TR314-TR315-TR316-TR317-TR318-TR319-TR320-TR321-TR322-TR323-TR324-TR325-TR326-TR327-TR328-TR329-TR330-TR331-TR332-TR333-TR334-TR335-TR336-TR337-TR338-TR339-TR340-TR341-TR342-TR343-TR344-TR345-TR346-TR347-TR348-TR349-TR350-TR351-TR352-TR353-TR354-TR355-TR356-TR357-TR358-TR359-TR360-TR361-TR362-TR363-TR364-TR365-TR366-TR367-TR368-TR369-TR370-TR371-TR372-TR373-TR374-TR375-TR376-TR377-TR378-TR379-TR380-TR381-TR382-TR383-TR384-TR385-TR386-TR387-TR388-TR389-TR390-TR391-TR392-TR393-TR394-TR395-TR396-TR397-TR398-TR399-TR400-TR401-TR402-TR403-TR404-TR405-TR406-TR407-TR408-TR409-TR410-TR411-TR412-TR413-TR414-TR415-TR416-TR417-TR418-TR419-TR420-TR421-TR422-TR423-TR424-TR425-TR426-TR427-TR428-TR429-TR430-TR431-TR432-TR433-TR434-TR435-TR436-TR437-TR438-TR439-TR440-TR441-TR442-TR443-TR444-TR445-TR446-TR447-TR448-TR449-TR450-TR451-TR452-TR453-TR454-TR455-TR456-TR457-TR458-TR459-TR460-TR461-TR462-TR463-TR464-TR465-TR466-TR467-TR468-TR469-TR470-TR471-TR472-TR473-TR474-TR475-TR476-TR477-TR478-TR479-TR480-TR481-TR482-TR483-TR484-TR485-TR486-TR487-TR488-TR489-TR490-TR491-TR492-TR493-TR494-TR495-TR496-TR497-TR498-TR499-TR500-TR501-TR502-TR503-TR504-TR505-TR506-TR507-TR508-TR509-TR510-TR511-TR512-TR513-TR514-TR515-TR516-TR517-TR518-TR519-TR520-TR521-TR522-TR523-TR524-TR525-TR526-TR527-TR528-TR529-TR530-TR531-TR532-TR533-TR534-TR535-TR536-TR537-TR538-TR539-TR540-TR541-TR542-TR543-TR544-TR545-TR546-TR547-TR548-TR549-TR550-TR551-TR552-TR553-TR554-TR555-TR556-TR557-TR558-TR559-TR560-TR561-TR562-TR563-TR564-TR565-TR566-TR567-TR568-TR569-TR570-TR571-TR572-TR573-TR574-TR575-TR576-TR577-TR578-TR579-TR580-TR581-TR582-TR583-TR584-TR585-TR586-TR587-TR588-TR589-TR590-TR591-TR592-TR593-TR594-TR595-TR596-TR597-TR598-TR599-TR600-TR601-TR602-TR603-TR604-TR605-TR606-TR607-TR608-TR609-TR610-TR611-TR612-TR613-TR614-TR615-TR616-TR617-TR618-TR619-TR620-TR621-TR622-TR623-TR624-TR625-TR626-TR627-TR628-TR629-TR630-TR631-TR632-TR633-TR634-TR635-TR636-TR637-TR638-TR639-TR640-TR641-TR642-TR643-TR644-TR645-TR646-TR647-TR648-TR649-TR650-TR651-TR652-TR653-TR654-TR655-TR656-TR657-TR658-TR659-TR660-TR661-TR662-TR663-TR664-TR665-TR666-TR667-TR668-TR669-TR670-TR671-TR672-TR673-TR674-TR675-TR676-TR677-TR678-TR679-TR680-TR681-TR682-TR683-TR684-TR685-TR686-TR687-TR688-TR689-TR690-TR691-TR692-TR693-TR694-TR695-TR696-TR697-TR698-TR699-TR700-TR701-TR702-TR703-TR704-TR705-TR706-TR707-TR708-TR709-TR710-TR711-TR712-TR713-TR714-TR715-TR716-TR717-TR718-TR719-TR720-TR721-TR722-TR723-TR724-TR725-TR726-TR727-TR728-TR729-TR730-TR731-TR732-TR733-TR734-TR735-TR736-TR737-TR738-TR739-TR740-TR741-TR742-TR743-TR744-TR745-TR746-TR747-TR748-TR749-TR750-TR751-TR752-TR753-TR754-TR755-TR756-TR757-TR758-TR759-TR760-TR761-TR762-TR763-TR764-TR765-TR766-TR767-TR768-TR769-TR770-TR771-TR772-TR773-TR774-TR775-TR776-TR777-TR778-TR779-TR780-TR781-TR782-TR783-TR784-TR785-TR786-TR787-TR788-TR789-TR790-TR791-TR792-TR793-TR794-TR795-TR796-TR797-TR798-TR799-TR800-TR801-TR802-TR803-TR804-TR805-TR806-TR807-TR808-TR809-TR810-TR811-TR812-TR813-TR814-TR815-TR816-TR817-TR818-TR819-TR820-TR821-TR822-TR823-TR824-TR825-TR826-TR827-TR828-TR829-TR830-TR831-TR832-TR833-TR834-TR835-TR836-TR837-TR838-TR839-TR840-TR841-TR842-TR843-TR844-TR845-TR846-TR847-TR848-TR849-TR850-TR851-TR852-TR853-TR854-TR855-TR856-TR857-TR858-TR859-TR860-TR861-TR862-TR863-TR864-TR865-TR866-TR867-TR868-TR869-TR870-TR871-TR872-TR873-TR874-TR875-TR876-TR877-TR878-TR879-TR880-TR881-TR882-TR883-TR884-TR885-TR886-TR887-TR888-TR889-TR890-TR891-TR892-TR893-TR894-TR895-TR896-TR897-TR898-TR899-TR900-TR901-TR902-TR903-TR904-TR905-TR906-TR907-TR908-TR909-TR910-TR911-TR912-TR913-TR914-TR915-TR916-TR917-TR918-TR919-TR920-TR921-TR922-TR923-TR924-TR925-TR926-TR927-TR928-TR929-TR930-TR931-TR932-TR933-TR934-TR935-TR936-TR937-TR938-TR939-TR940-TR941-TR942-TR943-TR944-TR945-TR946-TR947-TR948-TR949-TR950-TR951-TR952-TR953-TR954-TR955-TR956-TR957-TR958-TR959-TR960-TR961-TR962-TR963-TR964-TR965-TR966-TR967-TR968-TR969-TR970-TR971-TR972-TR973-TR974-TR975-TR976-TR977-TR978-TR979-TR980-TR981-TR982-TR983-TR984-TR985-TR986-TR987-TR988-TR989-TR990-TR991-TR992-TR993-TR994-TR995-TR996-TR997-TR998-TR999-TR1000

Protocollo Tekne: TKA606