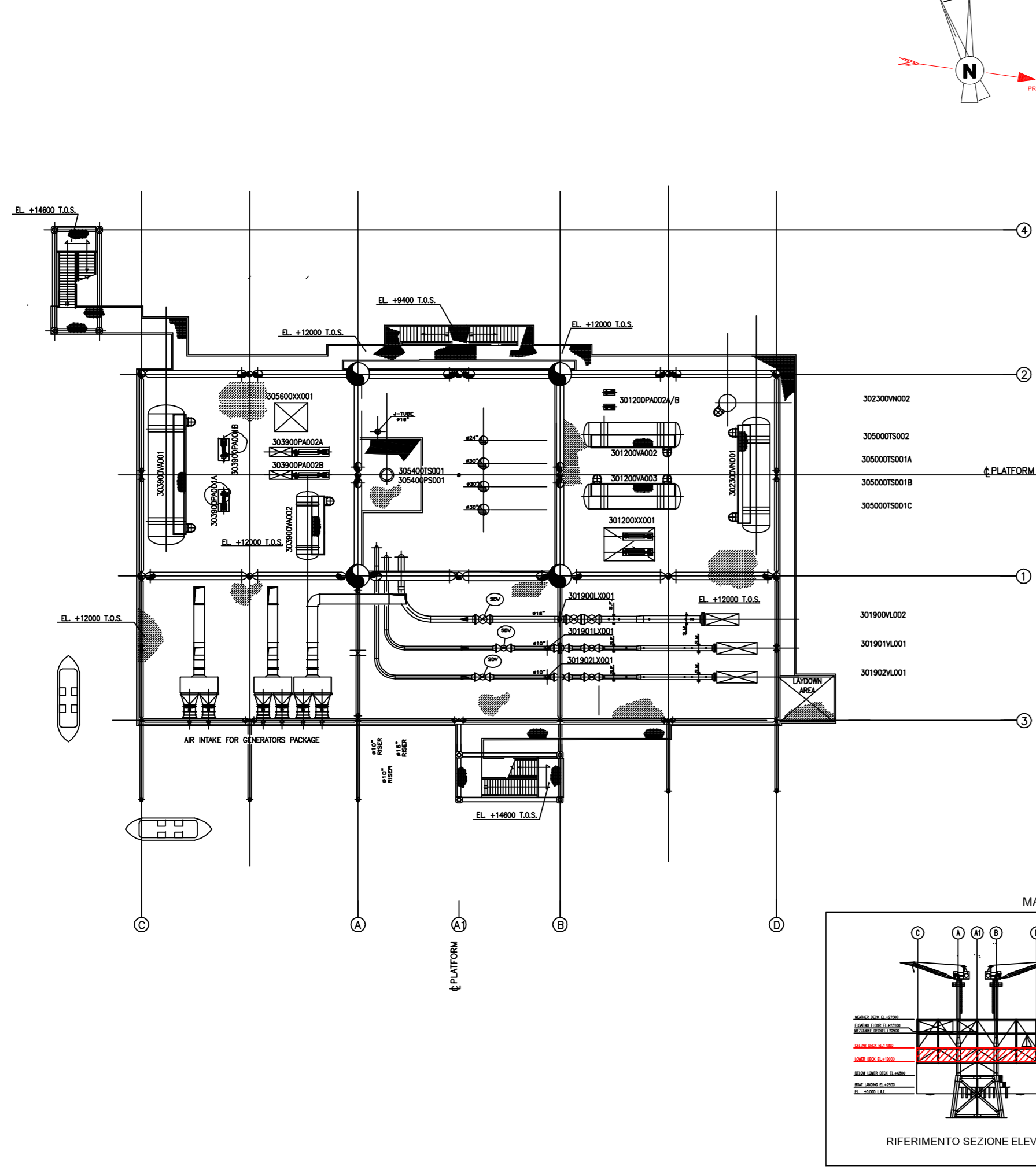
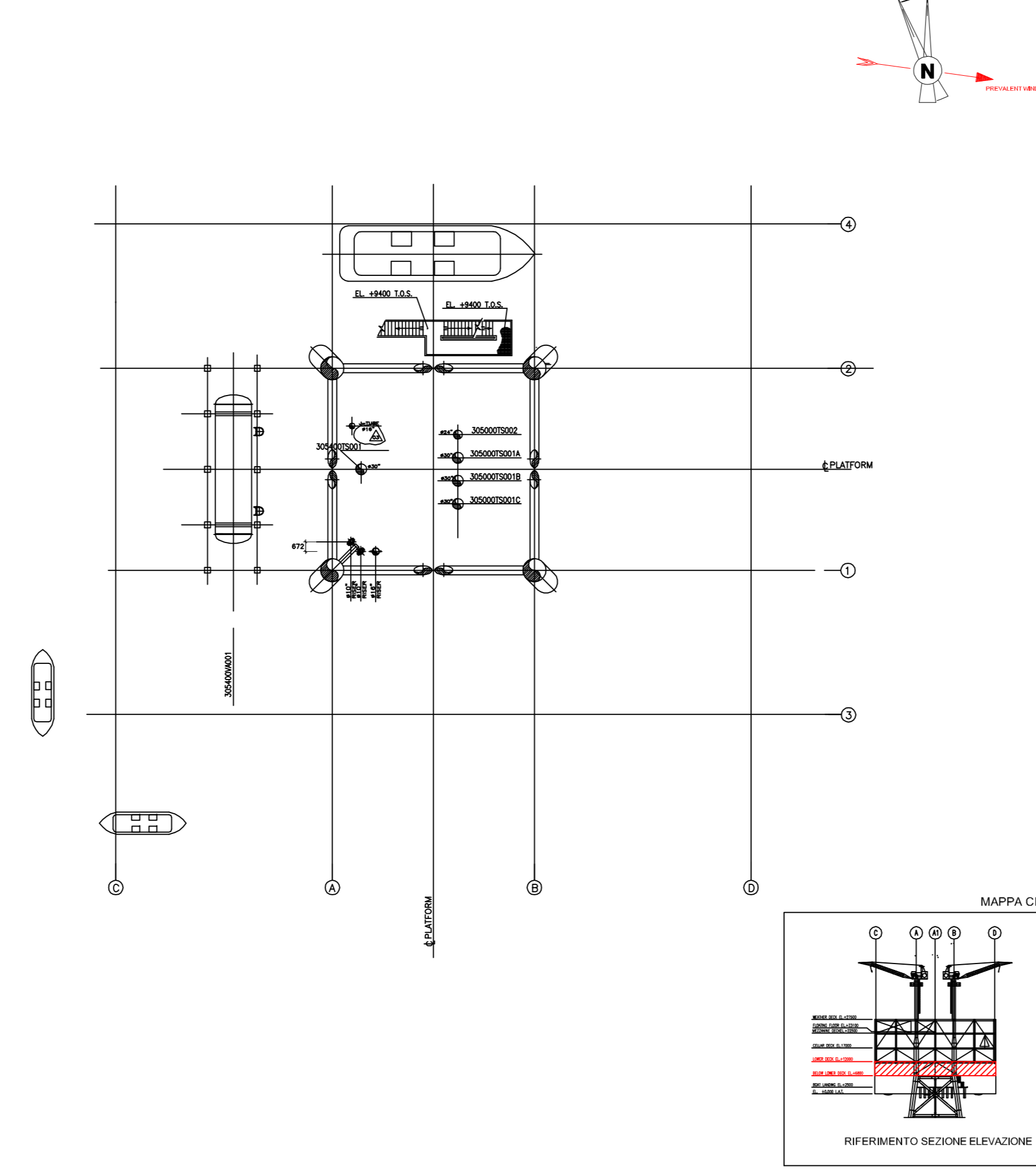


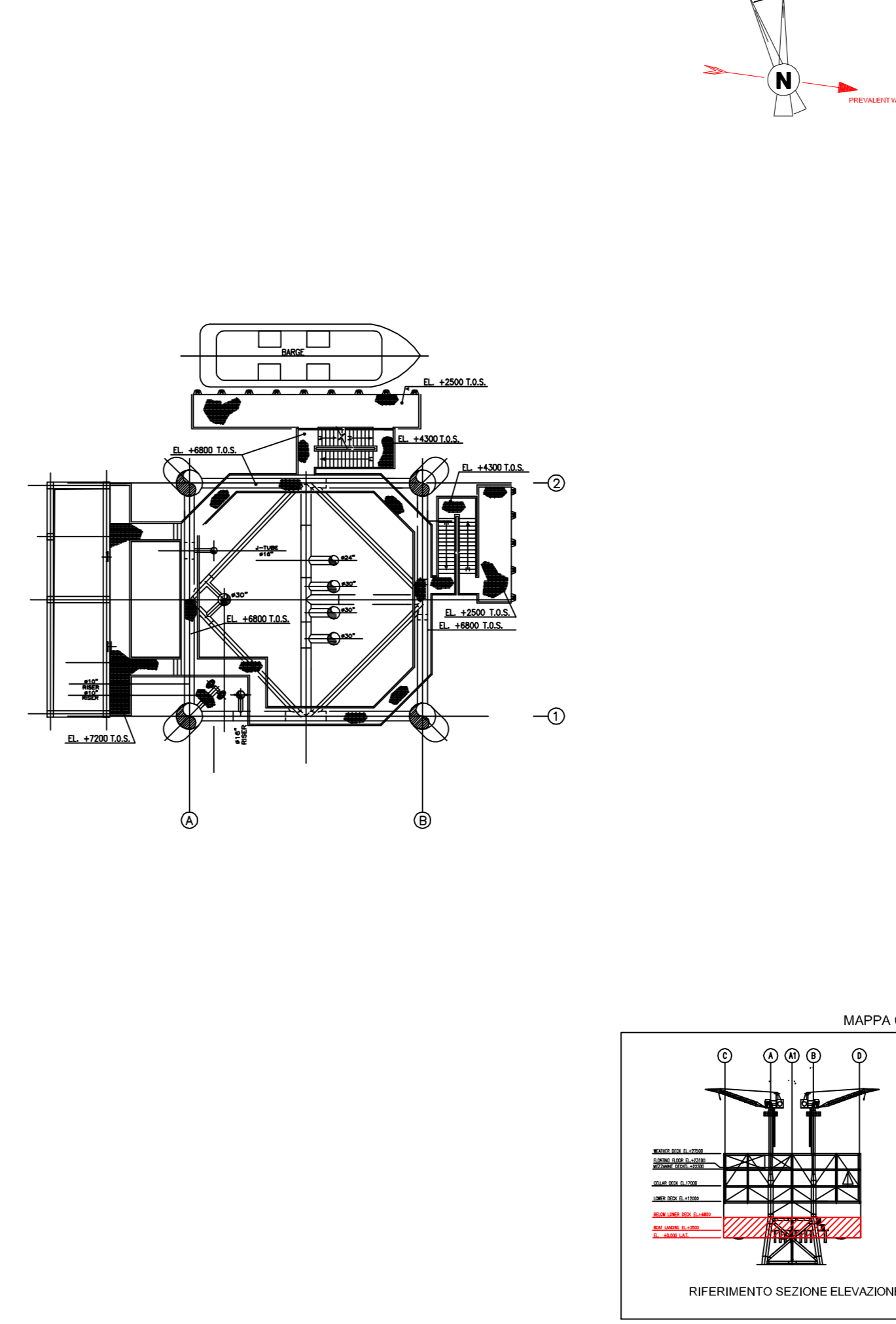
**LOWER DECK**  
PLAN EL. +1200 TO +1700



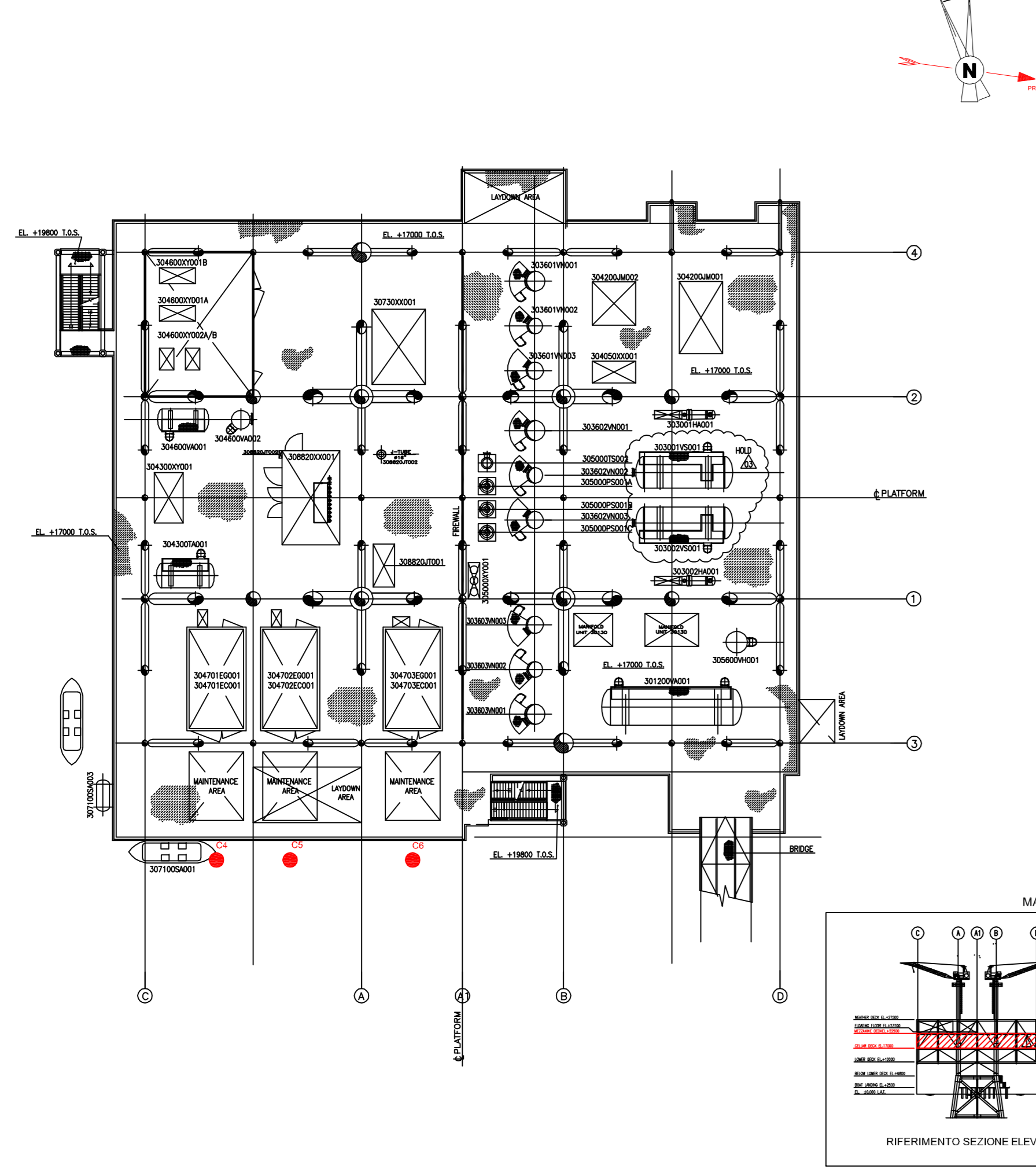
**BELOW LOWER DECK**  
PLAN EL. +800 TO +1200



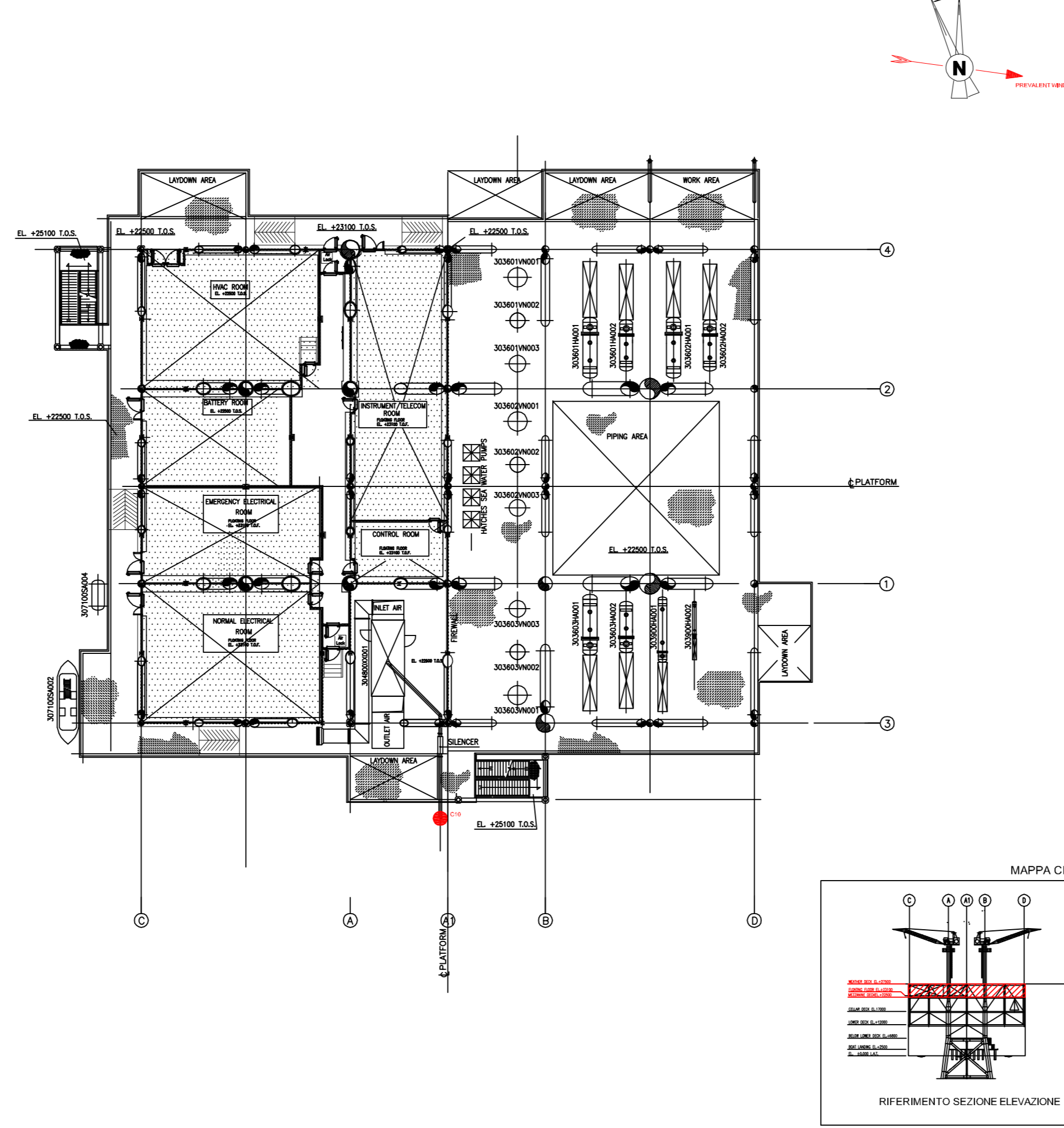
**BOAT LANDING**  
PLAN EL. +100 TO +800



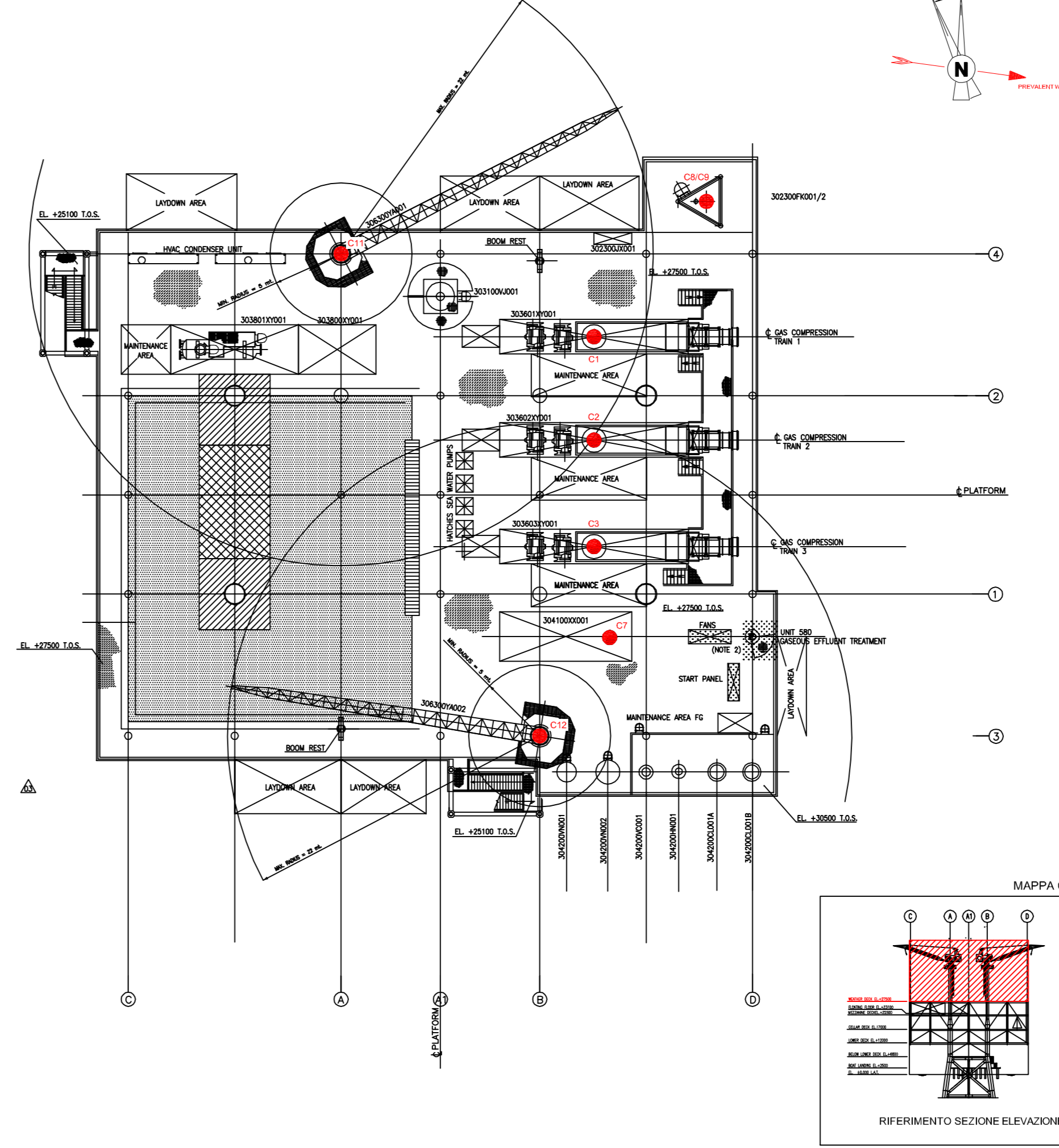
**CELLAR DECK**  
PLAN EL. +1700 TO +2200



**MEZZANINE DECK**  
PLAN EL. +2200 TO +2700



**WEATHER DECK**  
PLAN EL. +2700 TO OVER



PUNTI DI EMISSIONE IN ATMOSFERA DI TIPO CONVOGLIATO			
ID	DESCRIZIONE	LATTITUDINE (WGS84 UTM33)	LATTITUDINE (WGS84 UTM33)
C1	Turbocompressore 1	425869.7664	4107406.7668
C2	Turbocompressore 2	425873.3732	4100118.7047
C3	Turbocompressore 3	425869.7664	4092606.7668
C4	Motogeneratore 1	397993.8977	4085428.2570
C5	Motogeneratore 2	403093.8977	4085427.7013
C6	Motogeneratore 3	411593.8856	4085427.7015
C7	Riscaldatore	425977.4505	408192.8162
C8/C9	HP Cook Vent/HP Cook Vent	433795.0870	4116955.7509
C10	Generatore Diesel	414496.0348	4072412.5994
C11	Gru lato nord	408043.8864	4113255.3259
C12	Gru lato sud	422043.8863	4079255.3314

**NOTE**

- 1) In funzione solo durante le fasi di media e bassa pressione (MP e LP)
- 2) In funzione solo durante le fasi di media e alta pressione (MP e HP)
- 3) In funzione solo in caso di emergenza

**RIFERIMENTI**

Eni 2011, Planimetrie Piattaforma Preziosa K, disegni numeri 000819008TDG63003; 000819008TDG63004; 000819008TDG63005; 000819008TDG63029; 000819008TDG63030

UNIT	UNIT
UNIT 3018 MANIFOLD	UNIT 3078 AIR TO INJECTION
UNIT 3019 SEA LINE GAS	UNIT 3079 TOTAL SOLUTION EXTINGUISHING FOR HAZARDOUS WAREHOUSE PREMISES
UNIT 3020 LAUNCH/RECEIVING TRAP	UNIT 3070 TOTAL SOLUTION EXTINGUISHING FOR HAZARDOUS WAREHOUSE PREMISES
UNIT 3021 GAS SEPARATION	UNIT 3080 SUPERIOR WORK FACILITIES
UNIT 3022 GAS SEPARATION	UNIT 3081 UNINTERRUPTIBLE POWER SUPPLY SYSTEM
UNIT 3023 GAS SEPARATION	UNIT 3082 MAN ELECTRIC POWER DISTRIBUTION > 1000 V
UNIT 3024 GAS SEPARATION	UNIT 3083 MAN ELECTRIC POWER DISTRIBUTION < 1000 V
UNIT 3025 WBS REGISTRATION	UNIT 3084 EMERGENCY ELECTRIC POWER DISTRIBUTION
UNIT 3026 HEATING	UNIT 3085 STARTING SYSTEM
UNIT 3027 FUEL GAS	UNIT 3086 DISPATCHER SYSTEM
UNIT 3028 FUEL WATER TREATMENT	UNIT 3087 TELECOMMUNICATIONS
UNIT 3029 INERT GAS	UNIT 3088 CONTROL SYSTEM
UNIT 3030 FLARE, VENT AND BLOWDOWN	UNIT 3089 ESD SYSTEM
UNIT 3031 GAS EFFLUENT TREATMENT	UNIT 6010 FLOWRAISERS
UNIT 3032 DIESEL PUMP	UNIT 6011 REZONING TRAP
UNIT 3033 COMPRESSED AIR SYSTEM	UNIT 6012 FLARE, VENT AND BLOWDOWN
UNIT 3034 MAIN ELECTRIC POWER GENERATION	UNIT 6013 FISCAL METRING SYSTEM
UNIT 3035 EMERGENCY ELECTRIC POWER GENERATION	UNIT 6014 DAMPENED AIR SYSTEM
UNIT 3036 SEA WATER (LOW AND MEDIUM PRESSURE)	UNIT 6015 FIRE AND GAS DETECTION
UNIT 3037 FRESH WATER	UNIT 6016 ESCAPE AND PERSONNEL SAFETY
UNIT 3038 OPEN DRAINS	UNIT 6017 TOTAL SOLUTION EXTINGUISHING FOR HAZARDOUS WAREHOUSE PREMISES
UNIT 3039 CLOSED DRAINS	UNIT 6018 DRY CHEMICALS FIGHTING SYSTEM
UNIT 3040 SEA WATER TREATMENT	UNIT 6019 UNINTERRUPTIBLE POWER SUPPLY SYSTEM
UNIT 3041 HANDLING AND LIFTING EQUIPMENT	UNIT 6020 MAN ELECTRIC POWER SUPPLY DISTRIBUTION
UNIT 3042 ANALYTICAL FREIGHTING SYSTEM	UNIT 6021 TELECOMMUNICATIONS SYSTEM
UNIT 3043 ANALYTICAL SYSTEM	UNIT 6022 CONTROL SYSTEM
UNIT 3044 HEATING, VENTILATION AND AIR CONDITIONING (HVAC)	UNIT 6023 ESD SYSTEM
UNIT 3045 FIRE AND GAS DETECTION	
UNIT 3046 ESCAPE AND PERSONNEL SAFETY	

**eni** exploration & production

Progetto

Progetto OFFSHORE IBLEO  
Piattaforma Preziosa K  
Documentazione Tecnica Allegata alla Domanda di Autorizzazione Integrata Ambientale

Tavola

**ALLEGATO B.20**  
**PLANIMETRIA DELLO STABILIMENTO CON INDIVIDUAZIONE DEI PUNTI DI EMISSIONE E TRATTAMENTO DEGLI SCARICHI IN ATMOSFERA**

Preparato

Nome File	Num. Allegato	Documento
-	B.20	000196_DV_CD.HSE.0216.000_00

DATA

SCALA	
-------	--