

# PARTICOLARI COSTRUTTIVI MODULI

## Electrical Properties | STC\*

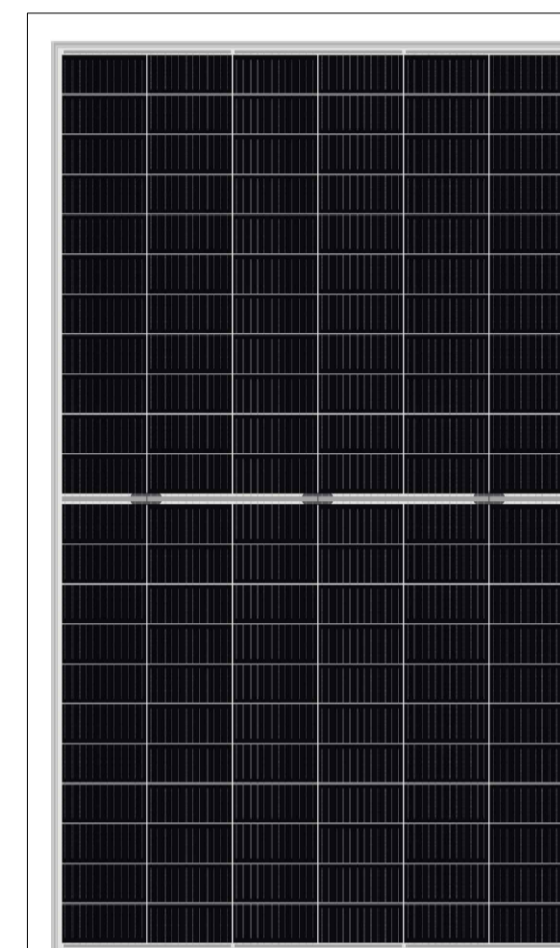
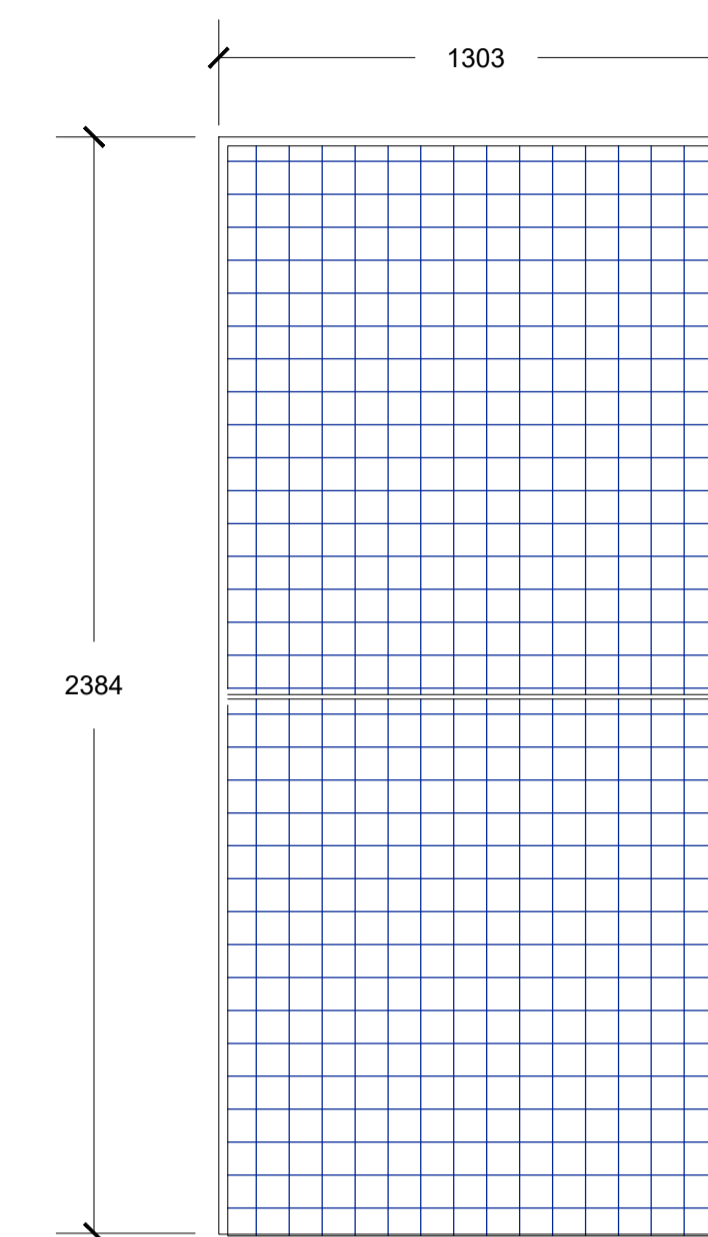
Testing Condition	Front Side	Front Side	Front Side	Front Side	Front Side	Front Side
Peak Power (Pmax) (W)	675	680	685	690	695	700
MPP Voltage (Vmp) (V)	38.6	38.8	39.0	39.2	39.4	39.5
MPP Current (Imp) (A)	17.50	17.54	17.58	17.62	17.66	17.73
Open Circuit Voltage (Voc) (V)	46.2	46.4	46.6	46.8	47.0	47.1
Short Circuit Current (Isc) (A)	18.57	18.62	18.67	18.72	18.76	18.82
Module Efficiency (%)	21.73	21.89	22.05	22.21	22.37	22.53

\*STC: Irradiance 1000 W/m<sup>2</sup>, Cell Temperature 25°C, AM1.5  
The data above is for reference only and the actual data is in accordance with the practical testing  
Power Measurement Tolerance ±3%

## Mechanical Properties

Cell Type	210.00mm*105.00mm
Number of Cells	132pcs(12*11)
Dimension	2384mm*1303mm*35mm
Weight	38kg
Front / Rear Glass*	2.0mm/2.0mm
Frame	Anodized Aluminium
Junction Box	IP68 (3 diodes)
Length of Cable*	4.0mm <sup>2</sup> , +300mm/-180mm
Connector	MC4 Compatible

## PIANTA



**700W**

Maximum Power Output

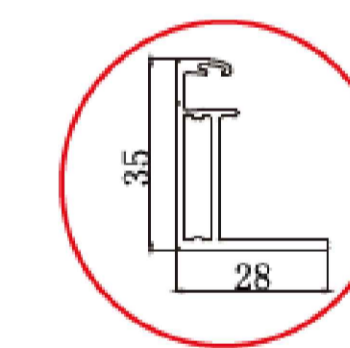
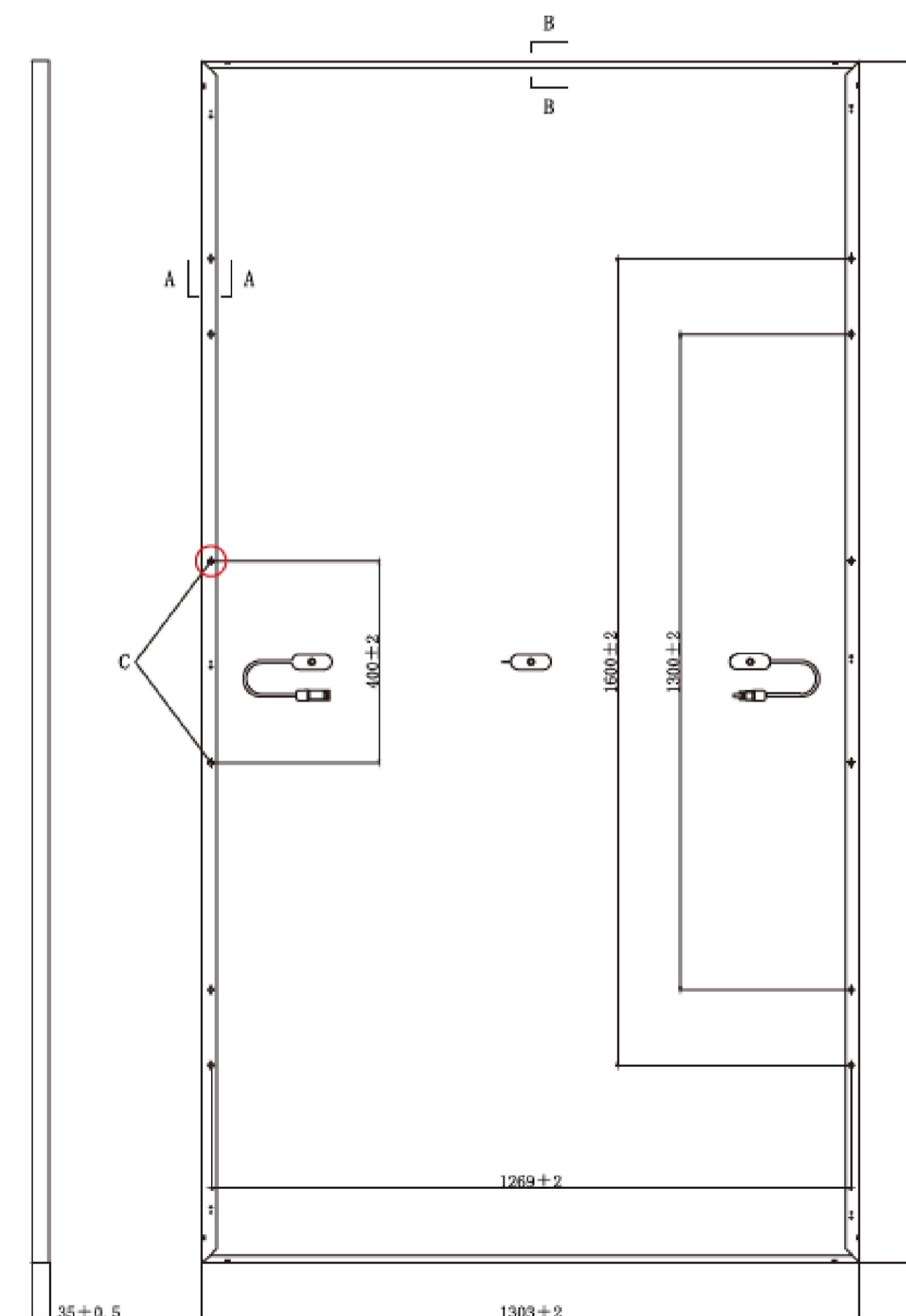
**22.53%**

Maximum Module Efficiency

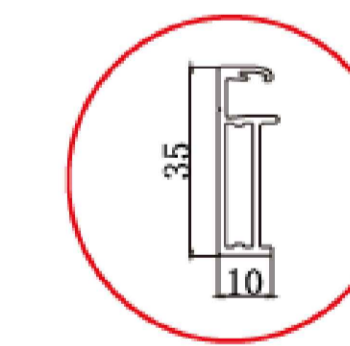
**0~+5W**

Power Output Tolerance

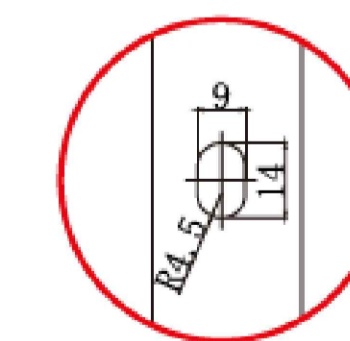
## Engineering Drawing (unit: mm)



A Long Frame

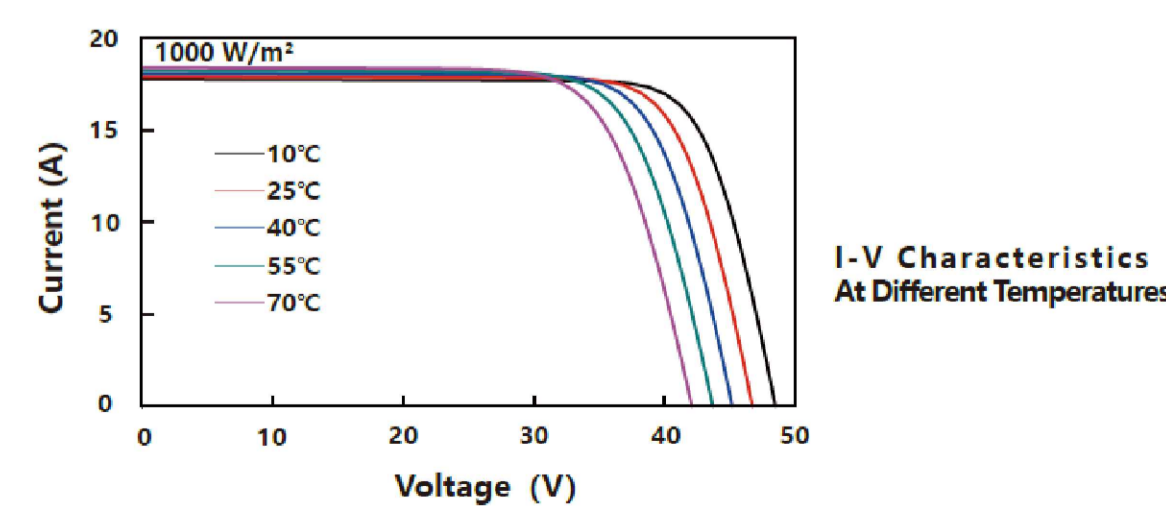
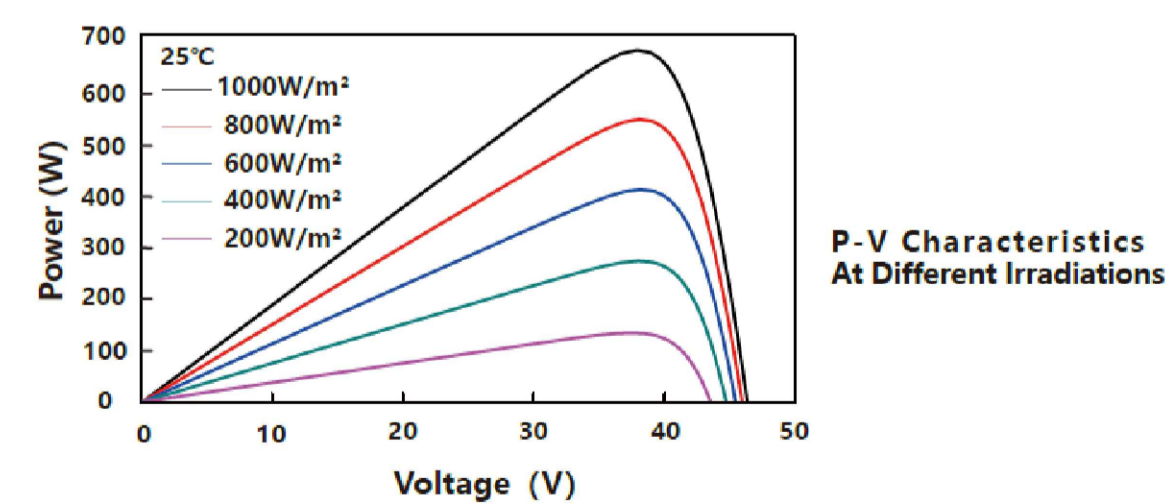
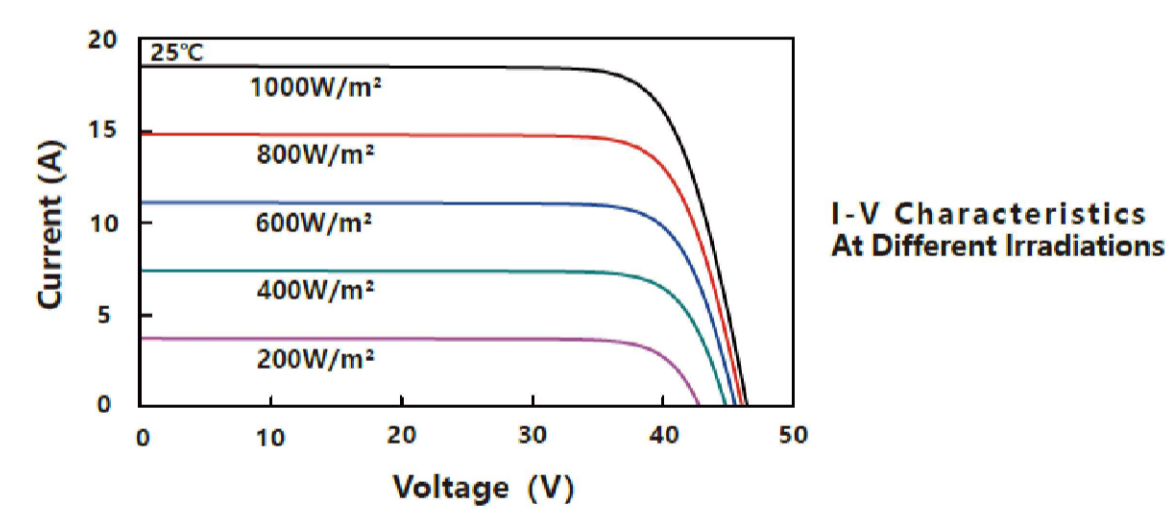


B Short Frame



C Mounting Hole

## Characteristic Curves | HD132N-680



## REGIONE PIEMONTE

Provincia di Biella  
Comune di Masserano

FATTORIA SOLARE DEL PRINCIPE

Valutazione Impatto Ambientale ai sensi dell'art.23 del D. Lgs. 152/2006  
COORDINAMENTO GENERALE



PROGETTISTA



Arch. Luca Menci  
mail: lucamenci@studiomenci.com

PROPONENTE

**REN190** SRL

Salita Santa Caterina 2/1 - 16123 Genova  
mail: ren190@pec.it  
P.IVA: 02686800994

OGGETTO

Particolari Costruttivi Moduli

ELABORATO  
6.2

PARAGRAFO  
6 - Dettagli e particolari

CODICE ELABORATO  
M-6.2-MAS-DP-0

DATA  
9 Maggio 2022

SCALA  
1:20

FORMATO  
A1

REDATTO DA  
Abdallah Hamdar

APPROVATO DA  
Luca Menci

TIMBRI E FIRME



REN 190 S.r.l.  
Marco Tassara  
(Firmato digitalmente)