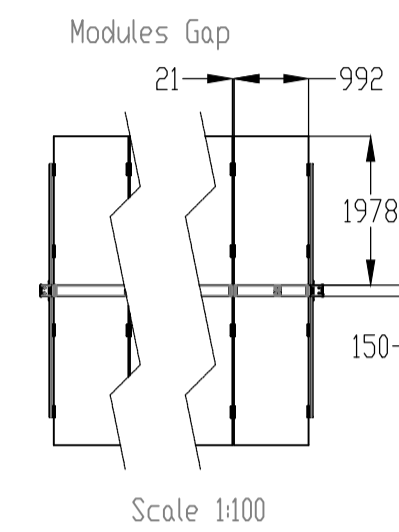


Note*

Simple Support - Standard Embedment Length
60 Degrees
1.3m (1336mm)
1.5m (1565mm)
1.7m (1763mm)
2m (2073mm)
2.5m (2530mm)
2.8m (2835mm)
3m (3089mm)



SAFETRACK HORIZON - DETTAGLI COSTRUTTIVI scala 1:50

STUDIO ALCHEMIST
Ing. Stefano Floris - Arch. Cinzia Nieddu

Via Isola San Pietro 3 - 09126 Cagliari (CA)
Via Semplicio Spano 10 - 07026 Olbia (OT)

stefano.floris@studioalchemist.it
cinzia.nieddu@studioalchemist.it

www.studioalchemist.it

COMUNE DI ARDARA

OGGETTO
**REALIZZAZIONE DI IMPIANTO FOTOVOLTAICO A TERRA
29,51 MW - TIPO A INSEGUIMENTO MONOASSIALE**

NUMERO ELABORATO
AV 09

SCALA: VARIE

DATA: APRILE 2022

COMMITTENTE
ENERGYARDARA1 SRL
Via Semplicio Spano 10 - 07026 Olbia (OT)

PROGETTO DEFINITIVO

ELABORATO
**DETTAGLI COSTRUTTIVI - STRUTTURA
FOTOVOLTAICA**

DEF IMPIANTI 00

REV.	DATA	DESCRIZIONE	REDATTO	CONTROLLATO	APPROVATO
3		Terza emissione			
2		Seconda emissione			
1		Prima emissione	Arch. Chiara Martis	Arch. Valentina Madeddu	Ing. S. Floris

CODICE COMMESSA	NOME FILE	FASE PROGETTUALE	CATEGORIA	REV.
		DEF	IMPIANTI	00

STUDIO ALCHEMIST:
Ing. Stefano Floris
Arch. Cinzia Nieddu

COLLABORATORI:
Arch. Chiara Martis
Arch. Valentina Madeddu
Arch. Elena Porcu
Arch. Luigi Mereu
Geom. Mario Strinna
Geom. Alberto Barrocco

PROGETTISTA - TIMBRO E FIRMA

PROGETTISTA - TIMBRO E FIRMA

Hi-MO 5

LR5-72HBD 525~550M

- Based on M10-182mm wafer, best choice for ultra-large power plants
- Advanced module technology delivers superior module efficiency
 - M10 Gallium-doped Wafer
 - Smart Soldering
 - 9-busbar Half-cut Cell
- Globally validated bifacial energy yield
- High module quality ensures long-term reliability

12 12-year Warranty for Materials and Processing

30 30-year Warranty for Extra Linear Power Output

Complete System and Product Certifications

IEC 61215, IEC 61730, UL 61730
ISO 9001:2008: ISO Quality Management System
ISO 14001:2004: ISO Environment Management System
TS62941: Guideline for module design qualification and type approval
OHSAS 18001: 2007 Occupational Health and Safety

Hi-MO 5

LR5-72HBD 525~550M

21.5%
MAX MODULE EFFICIENCY

0~+5W
POWER TOLERANCE

<2%
FIRST YEAR POWER DEGRADATION

0.45%
YEAR 2-30 POWER DEGRADATION

HALF-CELL
Lower operating temperature

Additional Value

Mechanical Parameters

Cell Orientation	144 (6x24)
Junction Box	IP68, three diodes
Output Cable	4mm ² , positive 400mm / negative 200mm length can be customized
Glass	Dual glass, 2.0mm coated tempered glass
Frame	Anodized aluminum alloy frame
Weight	32.3kg
Dimension	2256x1133x35mm
Packaging	31pcs per pallet / 155pcs per 20' GP / 620pcs per 40' HC

Electrical Characteristics STC: AM1.5 1000W/m² 25°C Test uncertainty for Pmax: ±3%

Power Class	525	530	535	540	545	550
Maximum Power (Pmax/W)	525	530	535	540	545	550
Open Circuit Voltage (Voc/V)	49.05	49.20	49.35	49.50	49.65	49.80
Short Circuit Current (Isc/A)	13.65	13.71	13.78	13.85	13.92	13.98
Voltage at Maximum Power (Vmp/V)	41.20	41.35	41.50	41.65	41.80	41.95
Current at Maximum Power (Imp/A)	12.75	12.82	12.90	12.97	13.04	13.12
Module Efficiency(%)	20.5	20.7	20.9	21.1	21.3	21.5

Operating Parameters

Operational Temperature	-40°C ~ +85°C
Power Output Tolerance	0 ~ +5 W
Voc and Isc Tolerance	±3%
Maximum System Voltage	DC1500V (IEC/UL)
Maximum Series Fuse Rating	30A
Nominal Operating Cell Temperature	45±2°C
Protection Class	Class II
Fire Rating	UL type 29
Bifaciality	70±5%

Mechanical Loading

Front Side Maximum Static Loading	5400Pa
Rear Side Maximum Static Loading	2400Pa
Hailstone Test	25mm Hailstone at the speed of 23m/s

Temperature Ratings (STC)

Temperature Coefficient of Isc	+0.050%/°C
Temperature Coefficient of Voc	-0.284%/°C
Temperature Coefficient of Pmax	-0.350%/°C

LONGI

Floor 19, Lujiazui Financial Plaza, Century Avenue
826, Pudong Shanghai, China
Tel: +86-21-80162605
Web: en.longi-solar.com

Specifications included in this datasheet are subject to change without notice. LONGI reserves the right of final interpretation. (20210115-Draft)

SCHEDE TECNICHE - PANNELLO FOTOVOLTAICO