

PARTICOLARI COSTRUTTIVI MODULI

Electrical Properties | STC*

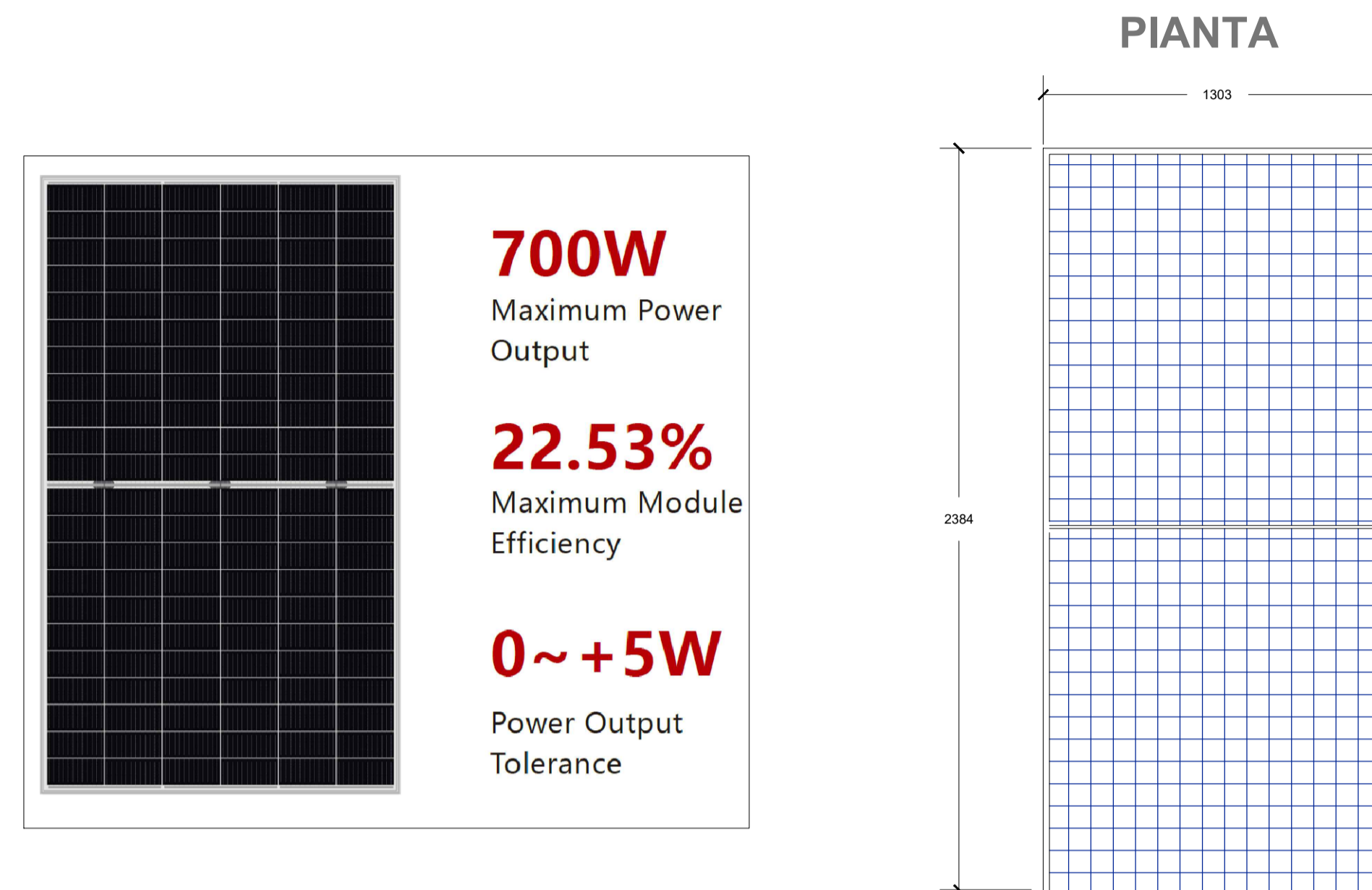
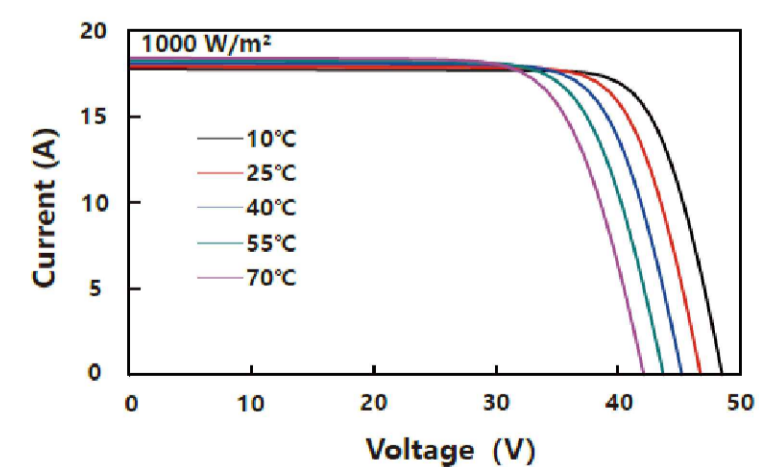
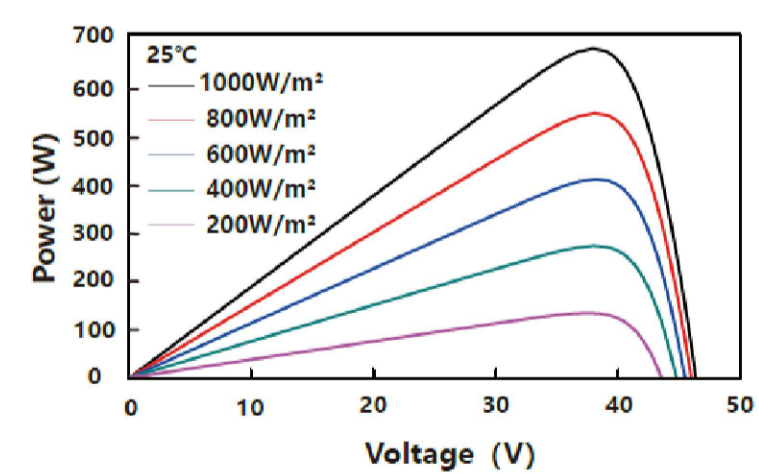
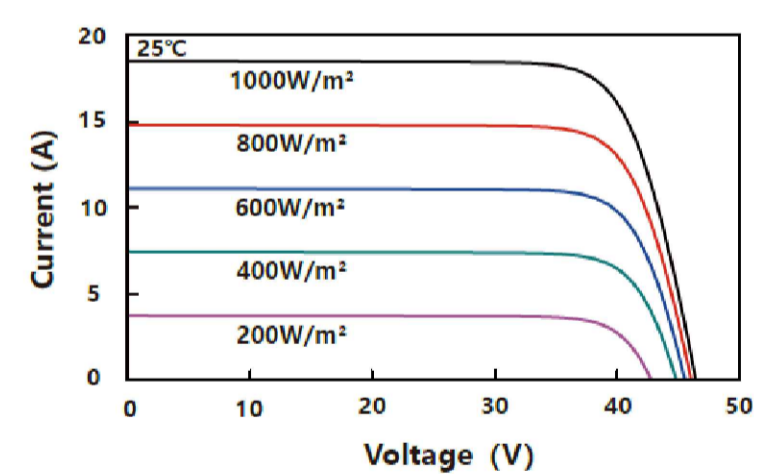
Testing Condition	Front Side	Front Side	Front Side	Front Side	Front Side	Front Side
Peak Power (Pmax) (W)	675	680	685	690	695	700
MPP Voltage (Vmp) (V)	38.6	38.8	39.0	39.2	39.4	39.5
MPP Current (Imp) (A)	17.50	17.54	17.58	17.62	17.66	17.73
Open Circuit Voltage (Voc) (V)	46.2	46.4	46.6	46.8	47.0	47.1
Short Circuit Current (Isc) (A)	18.57	18.62	18.67	18.72	18.76	18.82
Module Efficiency (%)	21.73	21.89	22.05	22.21	22.37	22.53

*STC: Irradiance 1000 W/m², Cell Temperature 25°C, AM1.5
The data above is for reference only and the actual data is in accordance with the practical testing
Power Measurement Tolerance ±3%

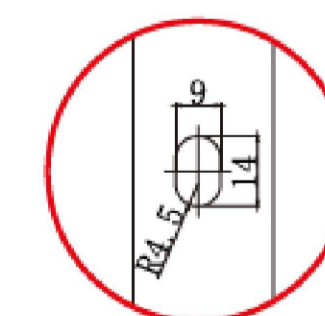
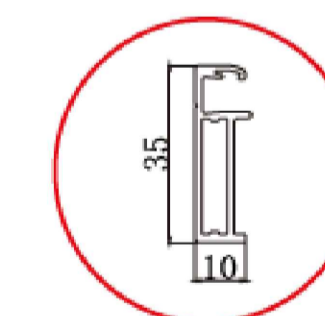
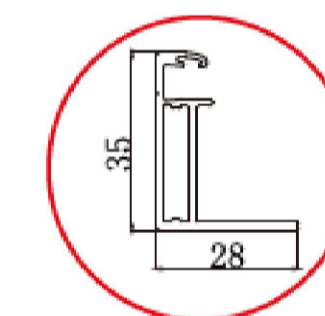
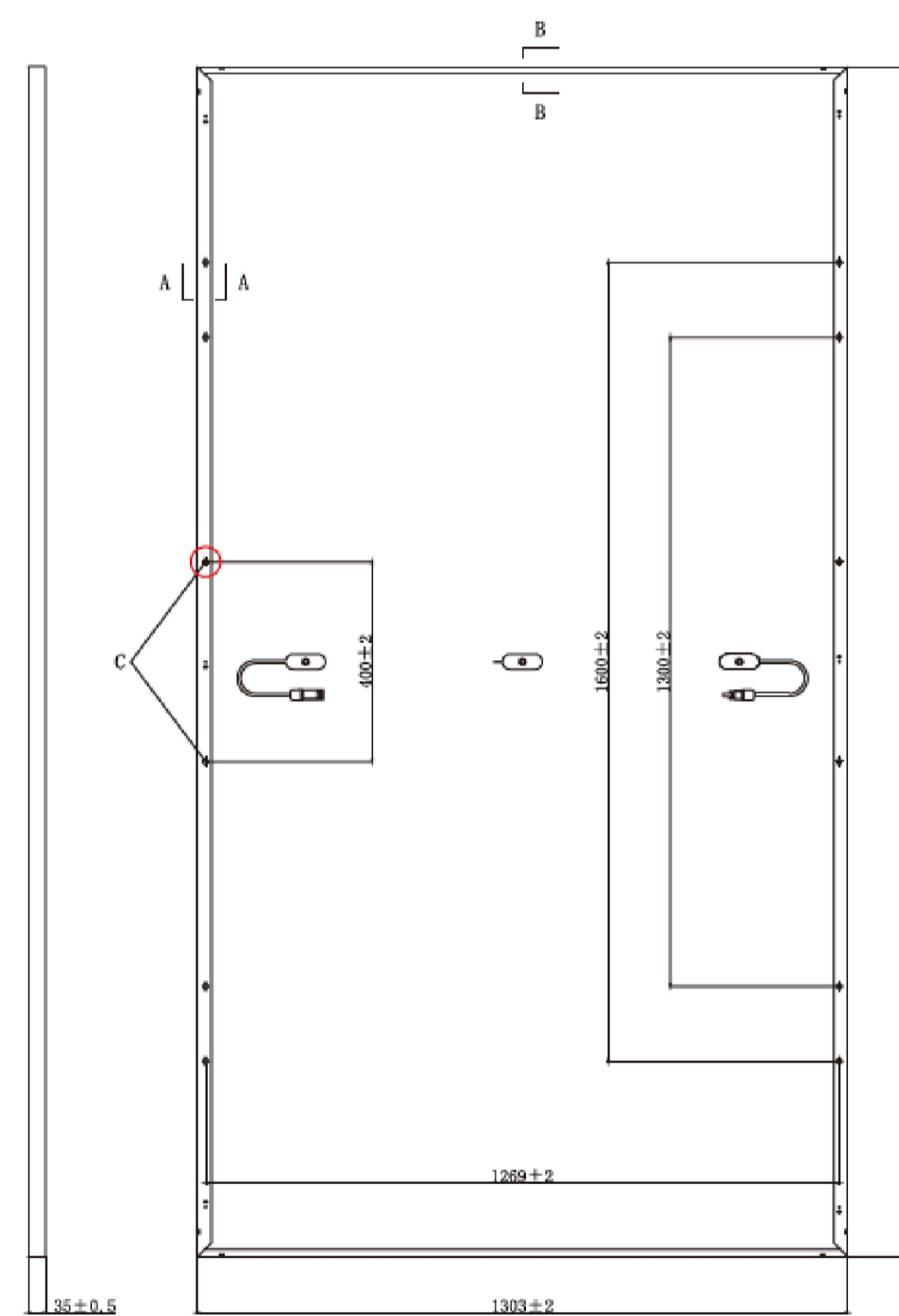
Mechanical Properties

Cell Type	210.00mm*105.00mm
Number of Cells	132pcs(12*11)
Dimension	2384mm*1303mm*35mm
Weight	38kg
Front / Rear Glass*	2.0mm/2.0mm
Frame	Anodized Aluminium
Junction Box	IP68 (3 diodes)
Length of Cable*	4.0mm ² , +300mm/-180mm
Connector	MC4 Compatible

Characteristic Curves | HD132N-680



Engineering Drawing (unit: mm)



REGIONE PIEMONTE

Provincia di Vercelli
Comune di Roasio

FATTORIA SOLARE ROGGIA DELLA BARDESA

Valutazione impatto ambientale
ai sensi dell'art. 23 D.Lgs 152/2006
COORDINAMENTO GENERALE



PROGETTISTA



Arch. Luca Menci
mail: lucamenci@studiomenci.com

PROPONENTE



Salita Santa Caterina 2/1 - 16123 Genova
mail: ren192@pec.it
P.IVA: 02686900980

OGGETTO

Particolari Costruttivi Moduli

ELABORATO
6.2

PARAGRAFO
6 - Dettagli e particolari

CODICE ELABORATO
R-6.2-ROA-DP-0

DATA
9 Maggio 2022

SCALA
FORMATO
A1

REDATTO DA
Abdallah Hamdar

APPROVATO DA
Luca Menci

TIMBRI E FIRME



REN 192 S.r.l.
P.IVA
02686900980