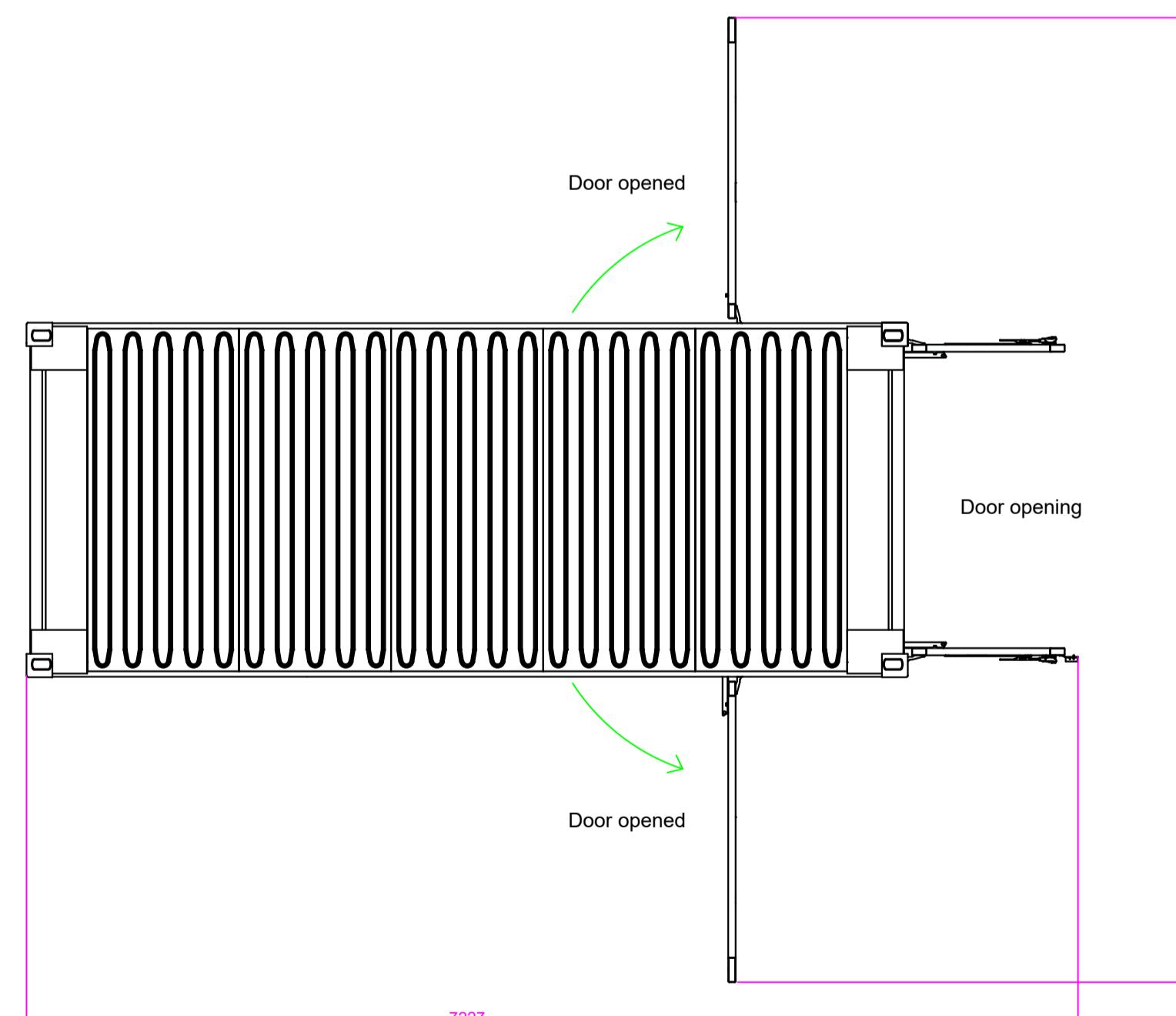
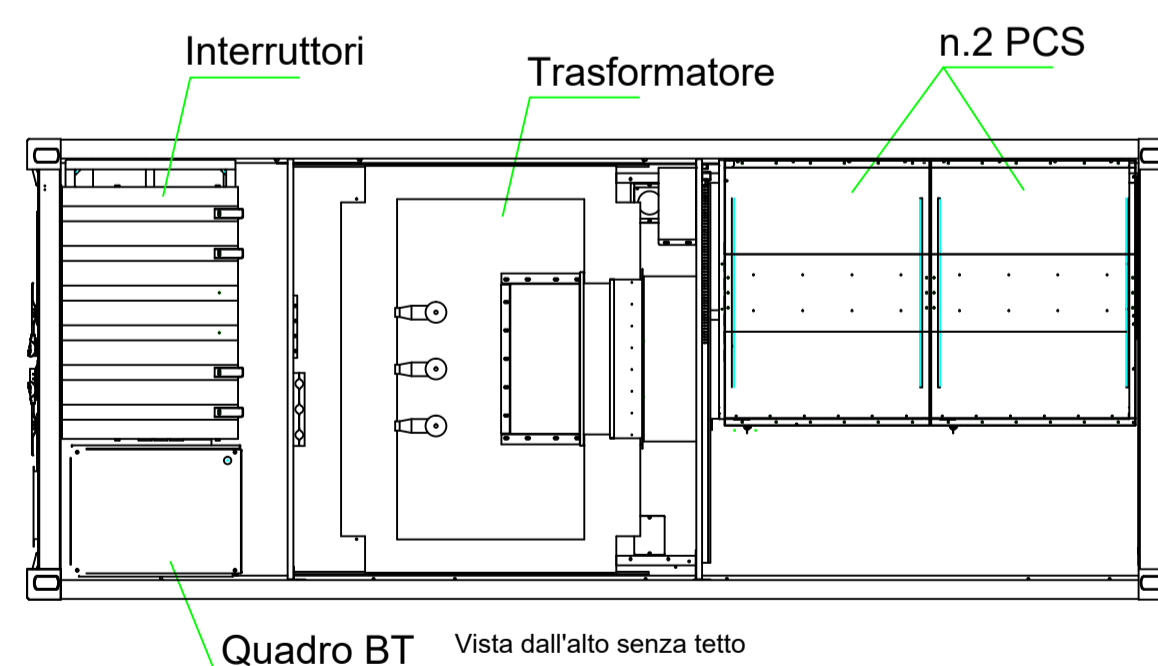
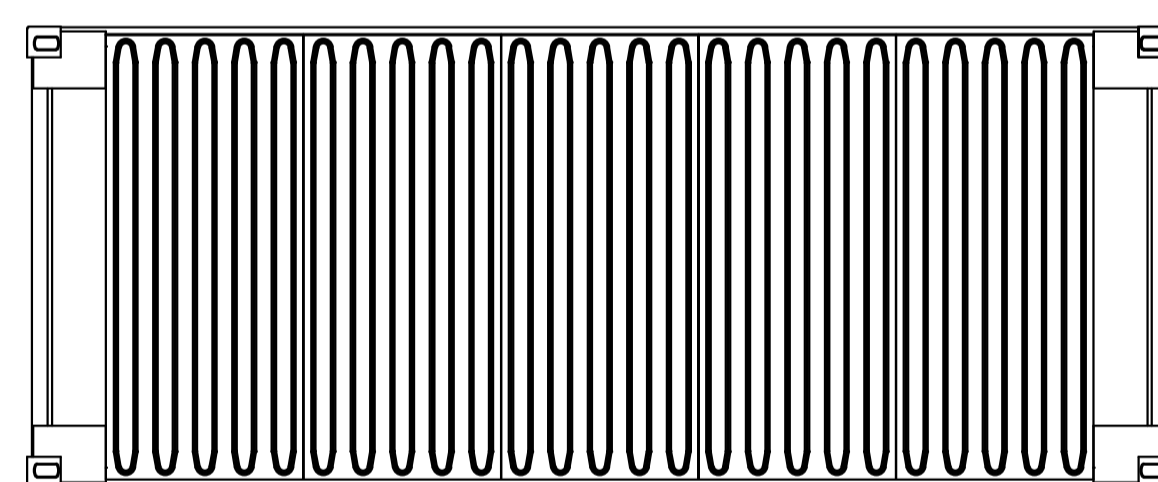
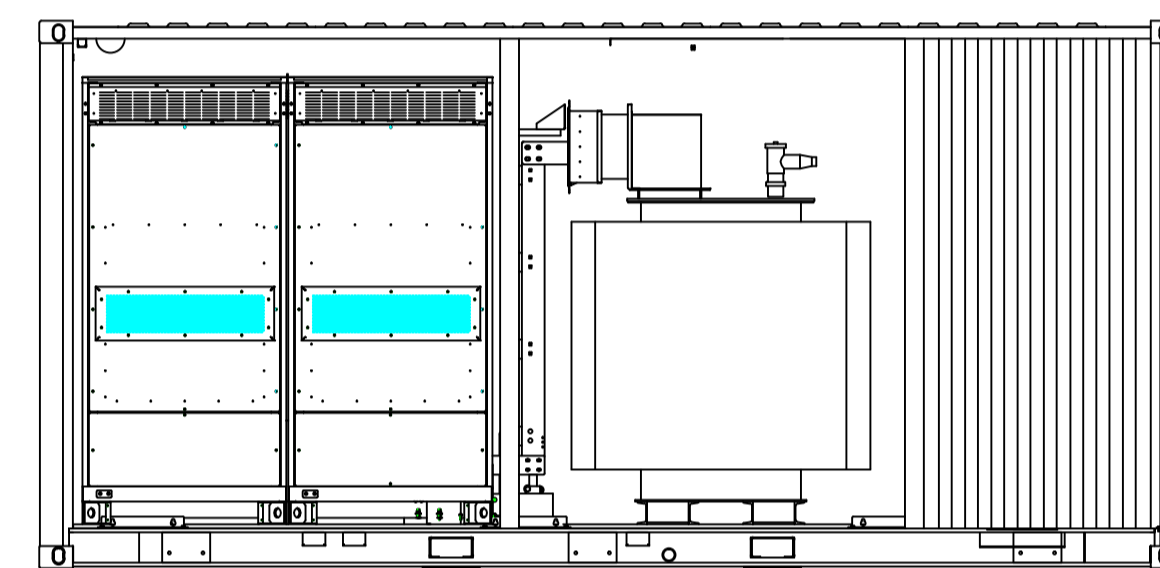
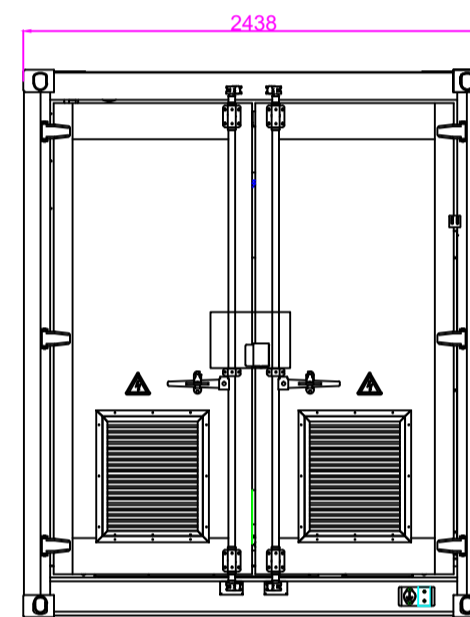
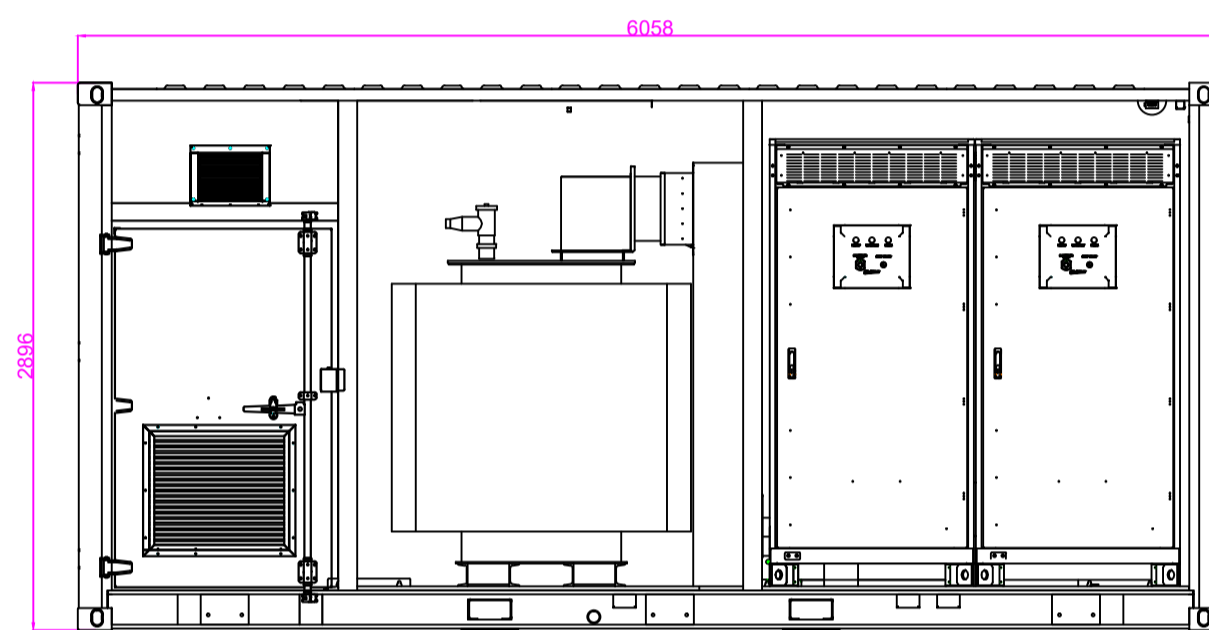
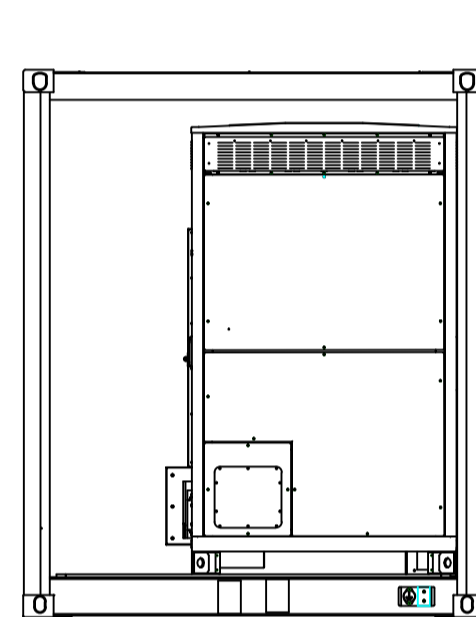
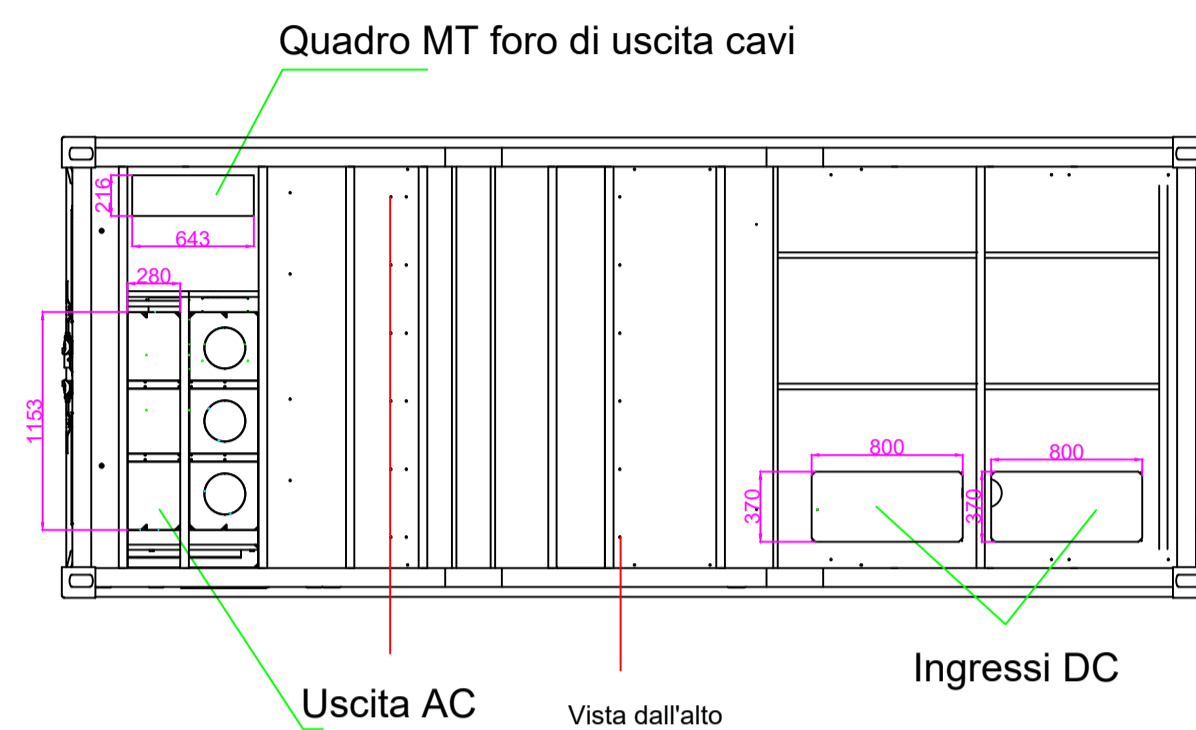


GRUPPO CABINE TRANSFORMER/STORAGE

THIS DRAWING IS THE COPYRIGHT PROPERTY OF ENFINITY GLOBAL, LLC. IT MAY NOT BE USED OR REPRODUCED (IN WHOLE OR IN PART) FOR PURPOSES OTHER THAN THE PROJECT NAMED BELOW WITHOUT THE EXPRESS WRITTEN CONSENT OF ENFINITY GLOBAL, LLC

THIS DRAWING IS NOT TO BE USED FOR CONSTRUCTION UNTIL SEALED BY THE ENGINEER FOR THAT EXPRESS PURPOSE.

THE CONTRACTOR IS RESPONSIBLE FOR CHECKING THE DRAWING AND VERIFYING ALL LEVELS AND DIMENSIONS AT THE PROJECT SITE. THE CONTRACTOR SHALL REPORT ANY DISCREPANCIES TO THE ENGINEER AND SHALL OBTAIN WRITTEN CLARIFICATION FROM THE ENGINEER TO RESOLVE ALL DISCREPANCIES PRIOR TO COMMENCING ANY SHOP FABRICATION OR SITE WORK.



SCALA 1:40



IMPIANTO AGRO-FOTOVOLTAICO "MANIMUZZI"
E OPERE CONNESSE

POTENZA IMPIANTO 19.8336 MWp
COMUNI DI COLLEPASSO E CASARANO (LE)

Proponente

EG ETRURIA S.R.L.
VIA DEI PELLEGRINI 22 - 20122 MILANO (MI) - P.IVA: 11769760965 - PEC: egeturia@pec.it

Progettazione

deve-loop
sviluppo sostenibile
DEVE-LOOP S.R.L. UNIPERSONALE
Via ORAZIO, 152
65128 - PESCARA (PE)
P.IVA: 02319140683

sarenti
FARENTI S.R.L.
Via DON GIUSEPPE CORDA
03030 - SANTOPADRE (FR)
P.IVA: 02604750600

ARCH. GIANLUCA
FRANCAVILLA

ING. PIERO FARENTI

Coordinamento progettuale

ARCH. GIANLUCA
FRANCAVILLA

DEVE-LOOP S.R.L. UNIPERSONALE
Via ORAZIO, 152 65128 - PESCARA (PE)
P.IVA: 02319140683 - PEC: deve-loop@pec.it

deve-loop
sviluppo sostenibile

Titolo Elaborato

CABINA TRANSFORMER: PIANTE, PROSPETTI E PARTICOLARI

LIVELLO PROGETTAZIONE	CODICE ELABORATO	FILENAME	RIFERIMENTO	DATA	SCALA
PROGETTO DEFINITIVO	TAV.19	---	---	04/2022	1:40

Revisioni

REV.	DATA	DESCRIZIONE	ESEGUITO	VERIFICATO	APPROVATO
0.0	04/2022	PRIMA EMISSIONE	DEV	FAR	ENF

COMUNI DI COLLEPASSO
E CASARANO (LE)
REGIONE PUGLIA

