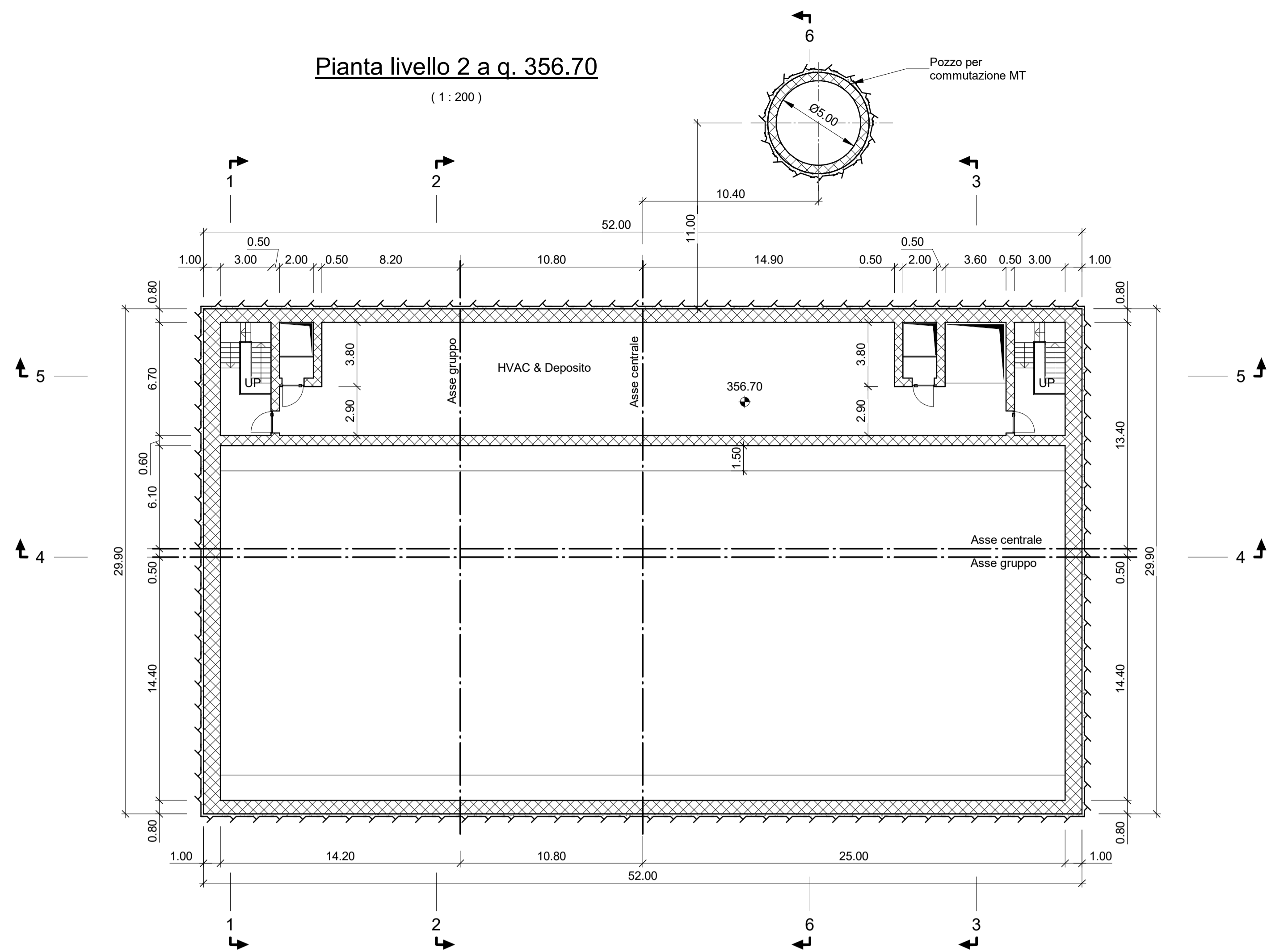
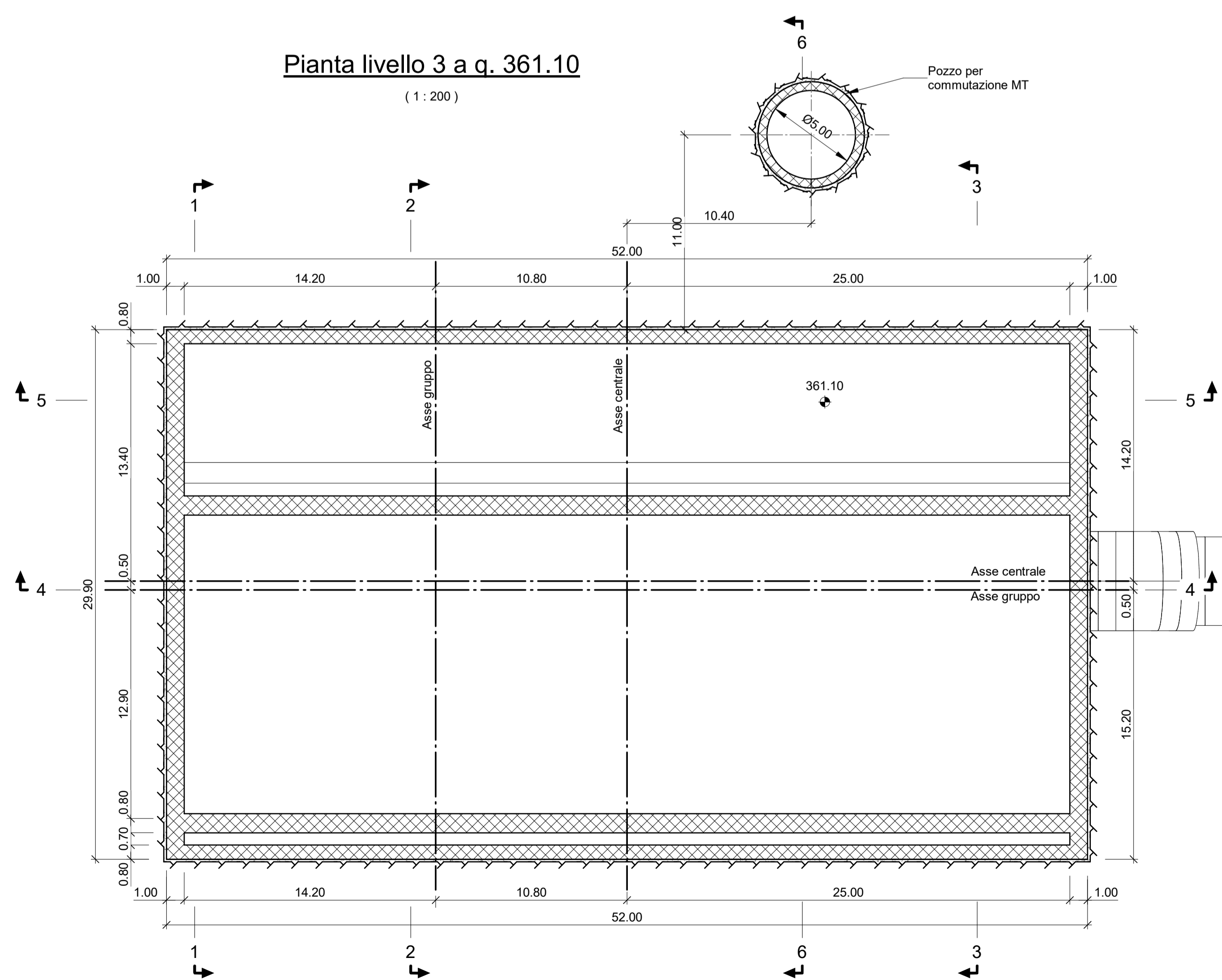


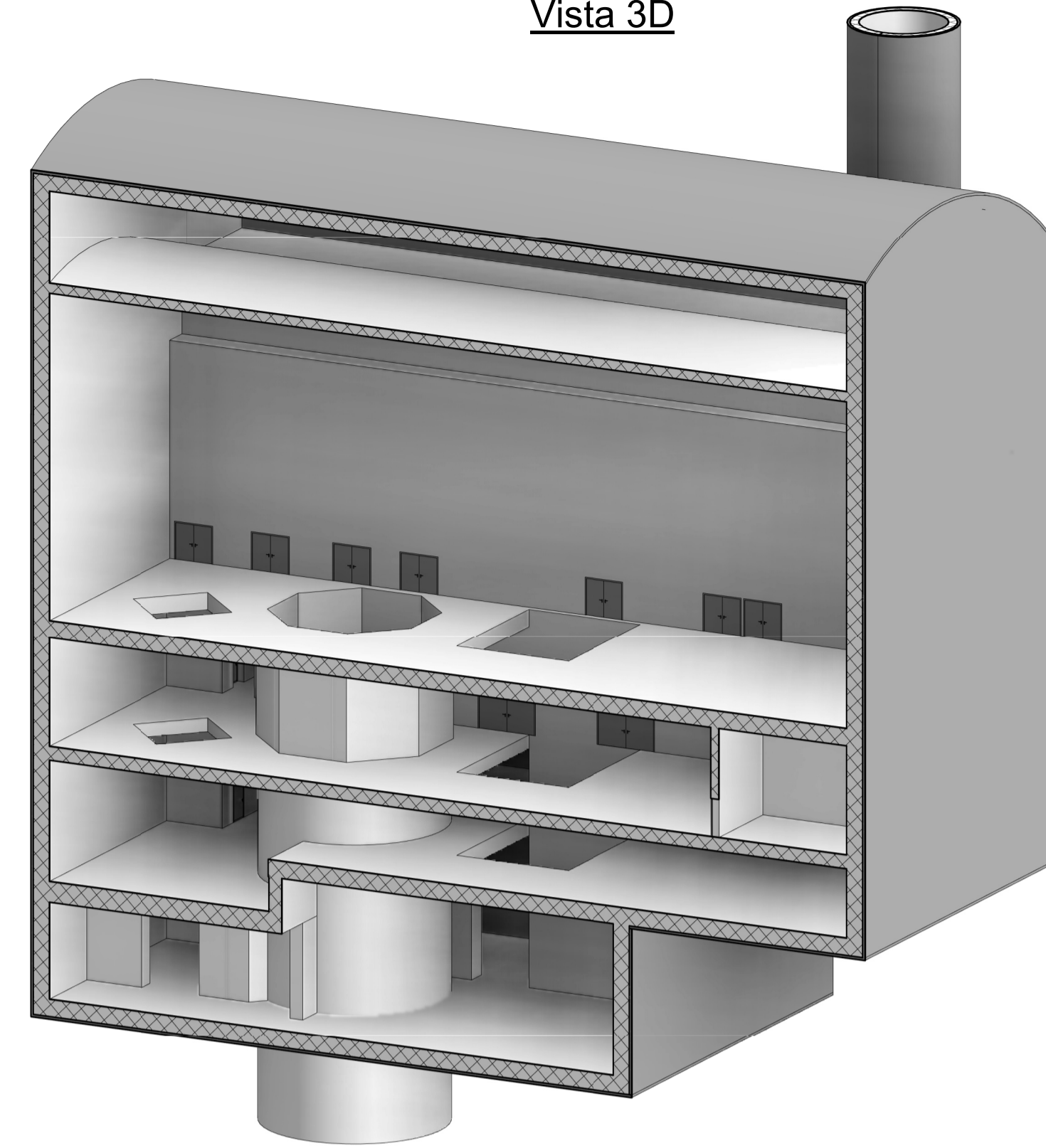
**Pianta livello 2 a q. 356.70**  
(1:200)



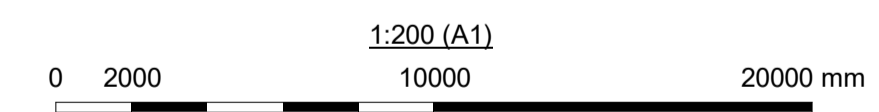
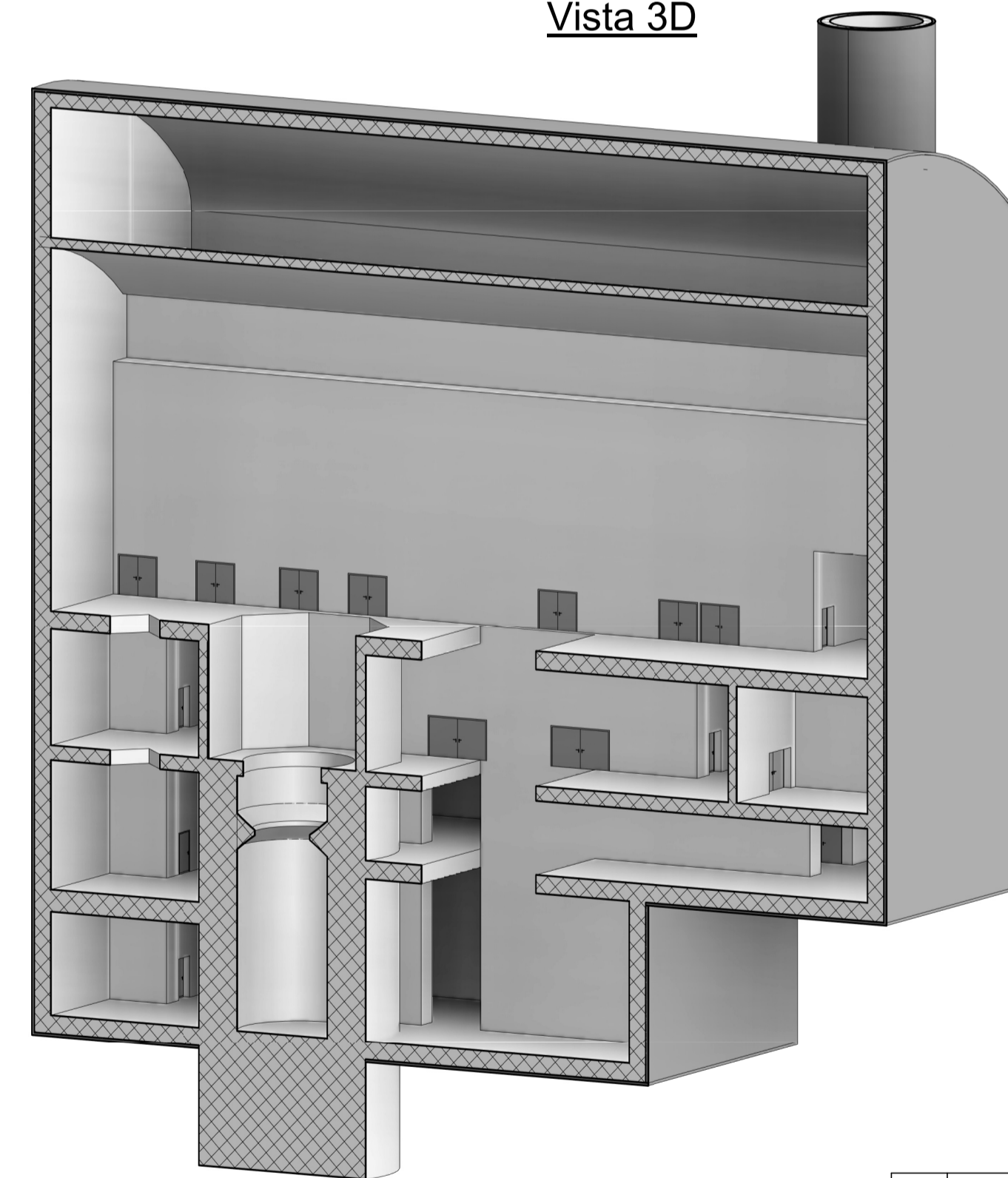
**Pianta livello 3 a q. 361.10**  
(1:200)



**Vista 3D**



**Vista 3D**



00	12/08/2022	Emissione per revisione cliente	A.Guglielmi	F.Maugliani / C.Piccinin	M.Braghini
REV	DATE	DESCRIPTION	PREPARED	CHECKED	APPROVED
CONTRACTOR'S LOGO		PROJECT: <b>CENTRALE DI SAN GIACOMO III INSTALLAZIONE DI NUOVO GRUPPO DI POMPAGGIO</b>			
<b>Lombardi</b>		FILE NAME (EGP CODE): GRE.EEC.D.99.IT.H.17170.00.034.00	LOMBARDI CODE: 2021.0047.009-GC-CLE-DW-033		
<b>enel</b> Green Power		CLASSIFICATION: <b>Public</b>	FORMAT: <b>A1</b>	SCALE: <b>1:200</b>	PLOT SCALE: <b>1:1</b>
HGT Design & Execution <b>EGP VALIDATION</b>		UTILIZATION SCOPE: <b>Progetto Definitivo per Autorizzazione</b>		TITLE: <b>Stato di Progetto Pianta nuova Centrale S.Giacomo 3 3/3</b>	
VALIDATED BY:	Project Engineer: <b>P. Viganoni</b>				
VERIFIED BY:	Support Team:				
COLLABORATORS:	EGP CODE				
	GROUP	FUNCTION	TYPE	ISSUER	COUNTRY
	GRE	EEC	D99	ITH	17170
					0003400

This document is property of Enel Green Power SpA. It is strictly forbidden to reproduce this document, in whole or in part, and to provide to others any related information without the previous written consent by Enel Green Power SpA.