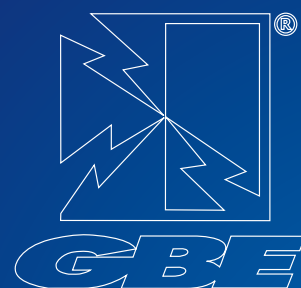


Trasformatori in olio distribuzione ed esecuzioni speciali

Oil filled transformers
for distribution and special applications



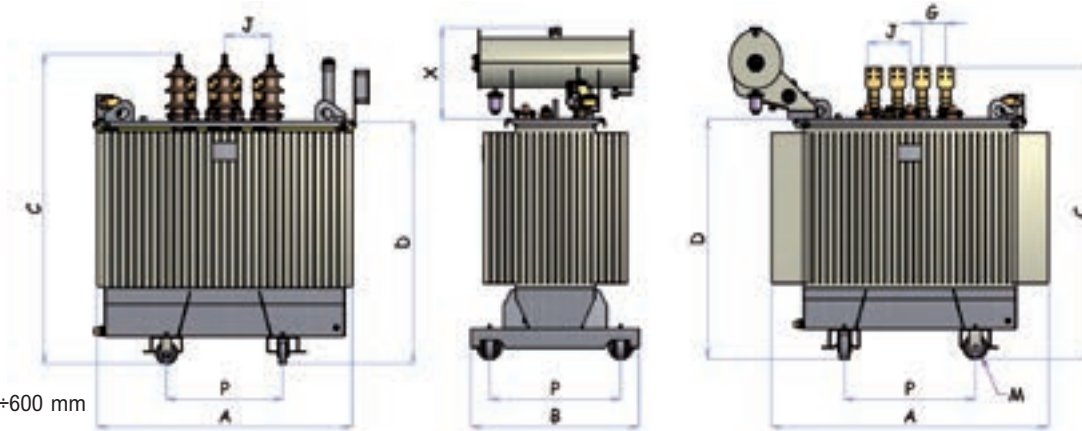
www.gbeonline.com

MADE IN ITALY



Norme / Standards CEI EN 60076 – CEI EN 50464

Livello Isolamento MT / Rated Voltage HV	36 kV	Classe Isolamento MT / Insulation Class HV	FI 28÷50 kV BIL 75÷125 kV
Livello Isolamento BT / Rated Voltage LV	1,1 kV	Classe Isolamento BT / Insulation Class LV	FI 3 kV
Frequenza / Frequency	50÷60 Hz	Regolazione MT / Tappings HV	± 4% or ± 2x2,5%



X=300÷600 mm

TR3036 - CoBk	KVA	Po (W)	Pcc (75°C) (W)	Uk (75°C) %	LwA dB(A)	Total (kg)	Oil (kg)	A (mm)	B (mm)	C (mm)	D (mm)	M (mm)	P (mm)	J (mm)	G (mm)
	100	380	1950	4	56	680	180	1085	720	1520	1035	125	520	365	90
	160	520	2550	4	59	860	220	1150	730	1610	1125	125	520	365	90
	200	650	2800	4	61	1010	300	1225	815	1655	1170	125	520	365	90
	250	780	3500	4	62	1170	290	1290	845	1655	1170	125	520	365	120
	315	950	3900	4	64	1360	330	1320	870	1700	1215	125	670	365	120
	400	1120	4900	4	65	1500	370	1295	915	1870	1385	125	670	365	120
	500	1290	5500	4	66	1730	420	1385	870	1865	1380	125	670	365	120
	630	1450	6500	4	67	2100	500	1420	865	1995	1510	125	670	365	130
	800	1700	8400	6	68	2340	600	1815	885	1985	1500	125	670	365	130
	1000	2000	10500	6	68	2760	670	1855	1080	2135	1650	150	820	365	150
	1250	2400	13500	6	70	3180	720	1875	1080	2135	1650	150	820	365	150
	1600	2800	17000	6	71	3830	920	2120	1110	2200	1715	150	820	365	180
	2000	3400	21000	6	73	4690	1090	2225	1340	2310	1825	200	1070	365	180
	2500	4100	26500	6	76	5580	1320	2400	1380	2445	1960	200	1070	365	220
	3150	5100	33000	7	78	6590	1480	2620	1450	2530	2045	200	1070	365	265
4000*	6000	38000	7	80	7770	1820	2810	1540	2530	2045	200	1070	365	265	
5000*	6600	43000	8	81	9480	2350	3030	1610	2620	2135	200	1070	365	265	
6300*	7300	47000	8	82	11560	2830	3240	1670	2740	2255	200	1070	365	265	

TU3036 - AoBk	KVA	Po (W)	Pcc (75°C) (W)	Uk (75°C) %	LwA dB(A)	Total (kg)	Oil (kg)	A (mm)	B (mm)	C (mm)	D (mm)	M (mm)	P (mm)	J (mm)	G (mm)
	100	270	1950	4	54	690	180	1085	720	1520	1035	125	520	365	90
	160	390	2550	4	57	880	220	1150	730	1610	1125	125	520	365	90
	200	470	3050	4	59	1030	290	1225	815	1655	1170	125	520	365	90
	250	550	3500	4	60	1190	280	1290	845	1655	1170	125	520	365	120
	315	670	4200	4	62	1390	320	1320	870	1700	1215	125	670	365	120
	400	790	4900	4	63	1530	360	1295	915	1870	1385	125	670	365	120
	500	950	5700	4	64	1770	410	1385	870	1865	1380	125	670	365	120
	630	1100	6500	4	65	2140	490	1420	865	1995	1510	125	670	365	130
	800	1300	8400	6	66	2390	590	1815	885	1985	1500	125	670	365	130
	1000	1450	10500	6	67	2820	660	1855	1080	2135	1650	150	820	365	150
	1250	1750	13500	6	68	3240	710	1875	1080	2135	1650	150	820	365	150
	1600	2200	17000	6	69	3910	900	2120	1110	2200	1715	150	820	365	180
	2000	2700	21000	6	71	4790	1070	2225	1340	2310	1825	200	1070	365	180
	2500	3200	26500	6	73	5690	1290	2400	1380	2445	1960	200	1070	365	220
	3150	3900	33000	7	75	6720	1450	2620	1450	2530	2045	200	1070	365	265
4000*	4600	38000	7	77	7930	1780	2810	1540	2530	2045	200	1070	365	265	
5000*	5100	43000	8	78	9670	2300	3030	1610	2620	2135	200	1070	365	265	
6300*	5600	47000	8	79	11800	2770	3240	1670	2740	2255	200	1070	365	265	

* solo versione con conservatore/NOT provided on hermetically sealed transformers

Scheda tecnica serie CoBk – AoBk
Technical data sheet series CoBk – AoBk

Dati e caratteristiche sono indicativi e non impegnativi. La GBE si riserva di comunicare i dati effettivi in fase di offerta.

Characteristic are indicative. GBE will confirm actual data at offer/order stage.