

IMPIANTO AGRIVOLTAICO EG STELLA SRL E OPERE CONNESSE

POTENZA IMPIANTO 24,57 MW_p - COMUNE DI ROMA (RM)

Proponente

EG STELLA S.R.L.

VIA DEI PELLEGRINI 22 – 20122 MILANO (MI) - P.IVA: 1490980965 – PEC: egstella@pec.it

Progettazione

Ing. Fabrizio Terenzi

PIAZZA GUGLIELMO MARCONI 25 – 00144 ROMA (RM) - P.IVA: 06741281007 – PEC: artelia.italia@pec.it
Tel.: +39 3666286274 – email: fabrizio.terenzi@arteliagroup.com

Coordinamento progettuale ARTELIA

ARTELIA ITALIA S.P.A.

PIAZZA GUGLIELMO MARCONI 25 – 00144 ROMA (RM) - P.IVA: 06741281007 – PEC: artelia.italia@pec.it
Tel.: +39 06 591 933 1 – email: contact@it.arteliagroup.com

Titolo Elaborato

DISCIPLINARE DESCRITTIVO E PRESTAZIONALE DEGLI ELEMENTI TECNICI - IMPIANTO FV

LIVELLO PROGETTAZIONE	CODICE ELABORATO	FILE NAME	DATA
DEFINITIVO	PD_REL07	IT-2019-0013_PD_REL07.00-Disciplinare descrittivo.docx	02/09/2022

Revisioni

REV.	DATA	DESCRIZIONE	ESEGUITO	VERIFICATO	APPROVATO
0	02/09/22	EMISSIONE PER PERMITTING	FTE	FTE	FTE



COMUNE DI ROMA (RM)
REGIONE LAZIO



DISCIPLINARE DESCRITTIVO E PRESTAZIONALE DEGLI ELEMENTI TECNICI - IMPIANTO FV

INDICE

Contents

1.	PREMESSA	2
2.	DESCRIZIONE DELL'IMPIANTO E CARATTERISTICHE DIMENSIONALI E STRUTTURALI ...	2
2.1.	Moduli fotovoltaici	2
2.2.	Inverter	5
2.1.	Power station	8
2.2.	Cavi	10
2.3.	Combiner box	18
2.4.	Connessione AT/MT	19
2.5.	Schemi di allacciamento	20
2.6.	Impianto di ventilazione.....	20
2.7.	Raffreddamento con ventilazione forzata	20
2.8.	Raffreddamento con ventilazione naturale	20
2.9.	Raffreddamento con impianto di condizionamento.....	21
2.10.	Impianto luce, fm e speciali in cabina.....	21
2.11.	Impianto di terra	21
2.12.	Accessori	21
2.13.	Sistema di distribuzione TN	22
2.14.	Trasformatori MT/BT e BT/BT	22
2.14.1.	Circuito magnetico	23
2.14.2.	Avvolgimenti	23
2.14.3.	Caratteristiche elettriche	23
2.14.4.	Accessori	23
2.14.5.	Collegamenti di Bassa Tensione.....	24
2.14.6.	Collegamenti di Media Tensione	24
2.14.7.	Box di contenimento trasformatori di potenza	24
2.15.	Quadri elettrici.....	25
2.15.1.	Quadri di media tensione	25

1. PREMESSA

In questa sezione vengono descritte le caratteristiche tecniche, prestazionali e qualitative degli elementi tecnici principali che compongono l'impianto fotovoltaico.

2. DESCRIZIONE DELL'IMPIANTO E CARATTERISTICHE DIMENSIONALI E STRUTTURALI

2.1. Moduli fotovoltaici

Per il progetto in esame il numero complessivo di moduli fotovoltaici previsti è di 35.616, di seguito si riportano le caratteristiche in termini tecnici e qualitativi.

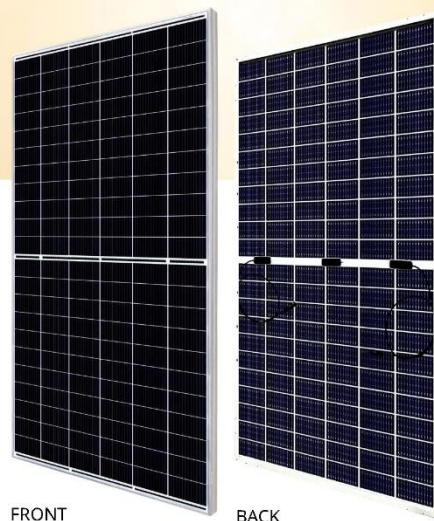
Moduli fotovoltaici in silicio monocristallino del tipo bi-facciale con moduli di potenza pari a 690W. I moduli fotovoltaici scelti per la realizzazione dell'impianto oggetto della presente relazione sono in grado di captare la radiazione luminosa sia sul fronte che sul retro del modulo.

- Tipologia cella: mono cristallino
- Dimensione modulo: 2384 H x 1303 L x 33 P mm
- Cornice in alluminio anodizzato
- Junction box IP68
- Tensione di esercizio massima: 1500 Vdc
- Elevata efficienza: 22,2 % (STC)
- Anti PID e anti-LeTID
- Garanzia prestazionale di tipo lineare (degradazione delle prestazioni lineari nel tempo)

Di seguito si riporta la scheda tecnica del prodotto



Preliminary Technical Information Sheet



TOPBiHiKu7

BIFACIAL TOPCON

665 W ~ 690 W

CS7N-665 | 670 | 675 | 680 | 685 | 690TB-AG

MORE POWER



Module power up to 690 W
Module efficiency up to 22.2 %



Up to 85% Power Bifaciality,
more power from the back side



Excellent anti-LeTID & anti-PID performance.
Low power degradation, high energy yield



Lower temperature coefficient (Pmax): -0.30%/°C,
increases energy yield in hot climate



Lower LCOE & system cost

MORE RELIABLE



Minimizes micro-crack impacts



Heavy snow load up to 5400 Pa,
wind load up to 2400 Pa*



Enhanced Product Warranty on Materials and Workmanship*



Linear Power Performance Warranty*

**1st year power degradation no more than 1%
Subsequent annual power degradation no more than 0.4%**

*According to the applicable Canadian Solar Limited Warranty Statement.

MANAGEMENT SYSTEM CERTIFICATES*

ISO 9001:2015 / Quality management system
ISO 14001:2015 / Standards for environmental management system
ISO 45001: 2018 / International standards for occupational health & safety

PRODUCT CERTIFICATES*

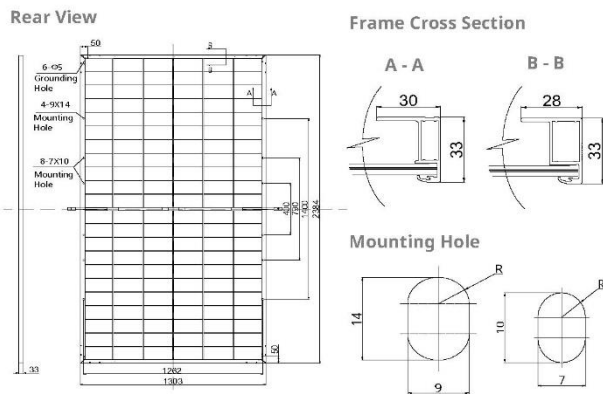
*The specific certificates applicable to different module types and markets will vary, and therefore not all of the certifications listed herein will simultaneously apply to the products you order or use. Please contact your local Canadian Solar sales representative to confirm the specific certificates available for your Product and applicable in the regions in which the products will be used.

CSI Solar Co., Ltd. is committed to providing high quality solar photovoltaic modules, solar energy and battery storage solutions to customers. The company was recognized as the No. 1 module supplier for quality and performance/price ratio in the IHS Module Customer Insight Survey. Over the past 20 years, it has successfully delivered over 67 GW of premium-quality solar modules across the world.

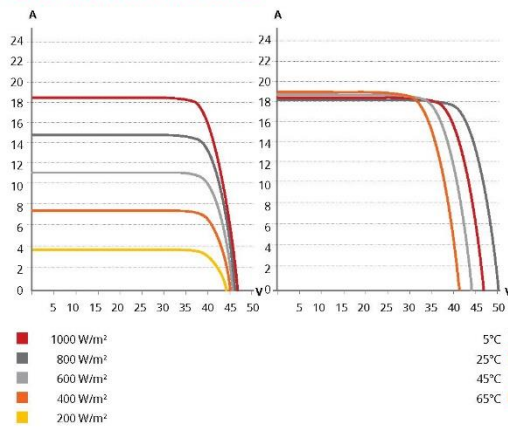
* For detailed information, please refer to the Installation Manual.

CSI Solar Co., Ltd.
199 Lushan Road, SND, Suzhou, Jiangsu, China, 215129, www.csisolar.com, support@csisolar.com

ENGINEERING DRAWING (mm)



CS7N-680TB-AG / I-V CURVES



ELECTRICAL DATA | STC*

	Nominal Max. Power (Pmax)	Opt. Operating Voltage (Vmp)	Opt. Operating Current (Imp)	Open Circuit Voltage (Voc)	Short Circuit Current (Isc)	Module Efficiency	
CS7N-665TB-AG	665 W	38.6 V	17.23 A	46.5 V	18.14 A	21.4%	
Bifacial Gain**	5%	698 W	38.6 V	18.09 A	46.5 V	19.05 A	22.5%
	10%	732 W	38.6 V	18.97 A	46.5 V	19.95 A	23.6%
	20%	798 W	38.6 V	20.68 A	46.5 V	21.77 A	25.7%
CS7N-670TB-AG	670 W	38.8 V	17.27 A	46.7 V	18.19 A	21.6%	
Bifacial Gain**	5%	704 W	38.8 V	18.15 A	46.7 V	19.10 A	22.7%
	10%	737 W	38.8 V	19.00 A	46.7 V	20.01 A	23.7%
	20%	804 W	38.8 V	20.72 A	46.7 V	21.83 A	25.9%
CS7N-675TB-AG	675 W	39.0 V	17.31 A	46.9 V	18.24 A	21.7%	
Bifacial Gain**	5%	709 W	39.0 V	18.19 A	46.9 V	19.15 A	22.8%
	10%	743 W	39.0 V	19.04 A	46.9 V	20.06 A	23.9%
	20%	810 W	39.0 V	20.77 A	46.9 V	21.89 A	26.1%
CS7N-680TB-AG	680 W	39.2 V	17.35 A	47.1 V	18.29 A	21.9%	
Bifacial Gain**	5%	714 W	39.2 V	18.22 A	47.1 V	19.20 A	23.0%
	10%	748 W	39.2 V	19.09 A	47.1 V	20.12 A	24.1%
	20%	816 W	39.2 V	20.82 A	47.1 V	21.95 A	26.3%
CS7N-685TB-AG	685 W	39.4 V	17.39 A	47.3 V	18.34 A	22.1%	
Bifacial Gain**	5%	719 W	39.4 V	18.26 A	47.3 V	19.26 A	23.1%
	10%	754 W	39.4 V	19.14 A	47.3 V	20.17 A	24.3%
	20%	822 W	39.4 V	20.87 A	47.3 V	22.01 A	26.5%
CS7N-690TB-AG	690 W	39.6 V	17.43 A	47.5 V	18.39 A	22.2%	
Bifacial Gain**	5%	725 W	39.6 V	18.31 A	47.5 V	19.31 A	23.3%
	10%	759 W	39.6 V	19.17 A	47.5 V	20.23 A	24.4%
	20%	828 W	39.6 V	20.92 A	47.5 V	22.07 A	26.7%

* Under Standard Test Conditions (STC) of irradiance of 1000 W/m², spectrum AM 1.5 and cell temperature of 25°C.

** Bifacial Gain: The additional gain from the back side compared to the power of the front side at the standard test condition. It depends on mounting (structure, height, tilt angle etc.) and albedo of the ground.

ELECTRICAL DATA

Operating Temperature	-40°C ~ +85°C
Max. System Voltage	1500 V (IEC/UL) or 1000 V (IEC/UL)
Module Fire Performance	TYPE 29 (UL 61730) or CLASS C (IEC61730)
Max. Series Fuse Rating	35 A
Application Classification	Class A
Power Tolerance	0 ~ + 10 W
Power Bifaciality*	80 %

* Power Bifaciality = $P_{max_{rear}} / P_{max_{front}}$, both $P_{max_{rear}}$ and $P_{max_{front}}$ are tested under STC, Bifaciality Tolerance: ± 5 %

ELECTRICAL DATA | NMOT*

	Nominal Max. Power (Pmax)	Opt. Operating Voltage (Vmp)	Opt. Operating Current (Imp)	Open Circuit Voltage (Voc)	Short Circuit Current (Isc)
CS7N-665TB-AG	502 W	36.4 V	13.80 A	44.0 V	14.60 A
CS7N-670TB-AG	506 W	36.6 V	13.83 A	44.1 V	14.65 A
CS7N-675TB-AG	510 W	36.8 V	13.86 A	44.3 V	14.69 A
CS7N-680TB-AG	513 W	37.0 V	13.88 A	44.5 V	14.73 A
CS7N-685TB-AG	517 W	37.2 V	13.90 A	44.7 V	14.77 A
CS7N-690TB-AG	521 W	37.4 V	13.94 A	44.9 V	14.81 A

* Under Nominal Module Operating Temperature (NMOT), irradiance of 800 W/m²-spectrum AM 1.5, ambient temperature 20°C, wind speed 1 m/s.

MECHANICAL DATA

Specification	Data
Cell Type	TOPCon cells
Cell Arrangement	132 [2 x (11 x 6)]
Dimensions	2384 x 1303 x 33 mm (93.9 x 51.3 x 1.30 in)
Weight	37.8 kg (83.3 lbs)
Front Glass	2.0 mm heat strengthened glass with anti-reflective coating
Back Glass	2.0 mm heat strengthened glass
Frame	Anodized aluminium alloy
J-Box	IP68, 3 bypass diodes
Cable	4.0 mm ² (IEC), 10 AWG (UL)
Cable Length (Including Connector)	460 mm (18.1 in) (+) / 340 mm (13.4 in) (-) or customized length*
Connector	T6 or MC4-EVO2
Per Pallet	33 pieces
Per Container (40' HQ)	561 pieces

* For detailed information, please contact your local Canadian Solar sales and technical representatives.

TEMPERATURE CHARACTERISTICS

Specification	Data
Temperature Coefficient (Pmax)	-0.30 % / °C
Temperature Coefficient (Voc)	-0.26 % / °C
Temperature Coefficient (Isc)	0.04 % / °C
Nominal Module Operating Temperature	41 ± 3°C

PARTNER SECTION

* The specifications and key features contained in this datasheet may deviate slightly from our actual products due to the on-going innovation and product enhancement. CSI Solar Co., Ltd. reserves the right to make necessary adjustment to the information described herein at any time without further notice.

Please be kindly advised that PV modules should be handled and installed by qualified people who have professional skills and please carefully read the safety and installation instructions before using our PV modules.

CSI Solar Co., Ltd.

199 Lushan Road, SND, Suzhou, Jiangsu, China, 215129, www.csisolar.com, support@csisolar.com

April 2022. All rights reserved, PV Module Product Datasheet V1.1_EN

2.2. Inverter

Gli inverter centrali sono posizionati in un cabinato prefabbricato e dotato di ventilazione forzata in modo da mantenere la temperatura interna nel range che evita un derating della potenza della macchina ed un veloce invecchiamento dei componenti elettronici.

Le unità previste sono tutte uguali ed hanno una potenza nominale alle condizioni di test standard di 3.824 kVA (Cos ϕ = 1) e con 1 MPPT per ciascuna unità. Di seguito si riporta il datasheet dell'inverter marca INGETEAM modelo INGECON SUN 3825TL.

INGECON

SUN

3Power C Series
1,500 V_{DC}

TRANSFORMERLESS PV INVERTER WITH AN EXTRA THERMAL STABILITY AND A GREATER POWER DENSITY

Up to 3.8 MVA at 1,500 V

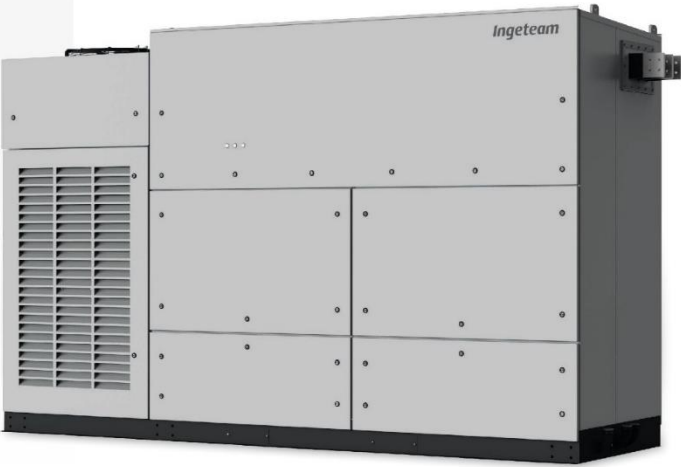
Greater power density
This solar PV inverter achieves a market-leading power density of 492 kVA/m³, as it provides up to 3,825 kVA in just one power stack.

Latest generation electronics
The INGECON® SUN 3Power C Series PV inverter features an innovative control unit that performs a more efficient and sophisticated inverter control, as it uses a last-generation digital signal processor.


Liquid Cooling System (LCS)
Ingeteam has already supplied +52 GW of liquid-cooled wind power converters worldwide. It offers a greater thermal stability and a more optimized component usage. The LCS has been designed to refrigerate the IGBTs, the power phases and the IP65 compartment. It features less moving components, so it consumes a lower amount of power and it requires less maintenance works.

The LCS is a closed circuit supplied totally filled and purged, equipped with fast connectors with an anti-dripping system, so it offers zero risk of particle entrance. It has been designed to avoid siphons in order to easily purge it if necessary. The coolant used is a biodegradable glycol water mixture. There is no need of emptying the LCS in order to replace the phases, nor the sensors.

IP65 protection
A secondary liquid cooling system is used to refrigerate the air inside the IP65-protected compartment. A water-air heat exchanger is used for that. This compartment contains the power and control electronics, the DC fuses, the DC and AC protections, the busbars and the power phases.



www.ingeteam.com
solar.energy@ingeteam.com



Monitoring and communication

Dual Ethernet to communicate with the SCADA and the PPC (power plant controller). Moreover, it features Wi-Fi communication as access point to connect with the inverter during commissioning and O&M works. Ingeteam's advanced PV plant monitoring system INGECON® SUN Monitor is also available at no extra cost. The Smartphone application of the INGECON® SUN Monitor -available on the App Store and on the Play Store- makes it easier and more comfortable to monitor the PV plant.

Standard 5 year warranty, extendable for up to 25 years.

Advanced grid support



Low Voltage Ride Through



Fast Frequency Regulation



Reactive Power at Night



Voltage Droop Control



Active Power Reserve Without Batteries



Grid Following & Grid Forming



Black Start Capability



Automatic Voltage Regulation

PROTECTIONS

- DC Reverse polarity.
- Short-circuits and overloads at the output.
- Anti-islanding with automatic disconnection.
- Insulation failure DC.
- Up to 24 pairs of fuse-holders.
- Lightning induced DC and AC surge arresters, type II.
- Motorized DC switch to automatically disconnect the inverter from the PV array.
- Motorized AC circuit breaker.
- Hardware protection via firmware.
- Additional protection for the power stack, liquid cooled, IP65 rated and air cooled by a closed loop.

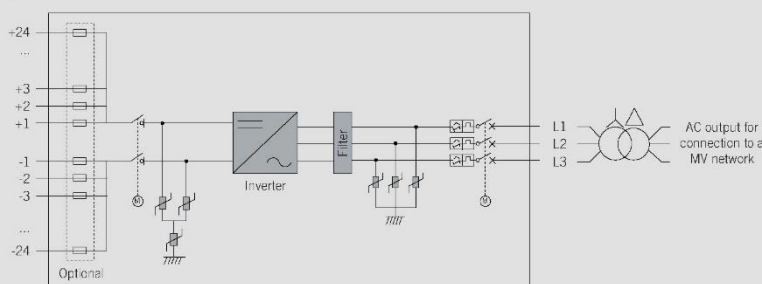
OPTIONAL ACCESSORIES

- Auxiliary services feeder.
- Grounding kit.
- Heating kit, for operating at an ambient temperature of down to -30 °C.
- DC surge arresters type I+II.
- AC surge arresters type I+II.
- DC fuses.
- Monitoring of the currents at the DC input.
- PID prevention kit (PID: Potential Induced Degradation).

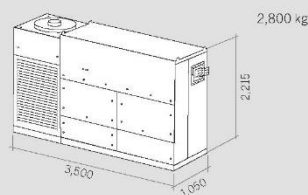
LIQUID COOLING SYSTEM

- LCS to refrigerate the IGBTs.
- More optimized component usage: greater thermal stability.
- Less moving components: lower power consumption and less maintenance works.
- No risk of particle entrance.
- Anti-corrosion protection with stainless steel components.
- LCS is used in many industries. Thus, it is very reliable, as its components are subject to many validation tests.
- Fast connectors with anti-dripping system
- Biodegradable glycol water mixture.
- No need of emptying the LCS in order to replace the phases, nor the sensors.

INGECON® SUN 3825TL



Size and weight (mm and kg)



Ingeteam

INGECON® SUN 3825TL	
C640	
Input (DC)	
Recommended PV array power range ⁽¹⁾	3,352 - 4,468 kWp
Voltage Range MPP ⁽²⁾	909 - 1,300 V
Maximum voltage ⁽³⁾	1,500 V
Maximum current	3,965 A
N° inputs with fuse holders	Up to 24
Fuse dimensions	63 A / 1,500 V to 500 A / 1,500 V fuses (optional)
Type of connection	Connection to copper bars
Power blocks	1
MPP ⁽⁴⁾	1
Input protections	
Overvoltage protections	Type II surge arresters (type I+II optional)
DC switch	Motorized DC load break disconnect
Other protections	Up to 24 pairs of DC fuses (optional) / Reverse polarity / Insulation failure monitoring / Anti-islanding protection / Emergency pushbutton
Output (AC)	
Power @35 °C / @50 °C	3,547 kVA / 3,048 kVA
Current @35 °C / @50 °C	3,200 A / 2,750 A
Rated voltage ⁽⁵⁾	640 V IT System
Frequency	50 / 60 Hz
Power Factor ⁽⁶⁾	1
Power Factor adjustable	Yes, 0 - 1 (leading / lagging)
THD (Total Harmonic Distortion) ⁽⁶⁾	<3%
Output protections	
Overvoltage protections	Type II surge arresters (type I+II optional)
AC breaker	Motorized AC circuit breaker
Anti-islanding protection	Yes, with automatic disconnection
Other protections	AC short-circuits and overloads
Features	
Operating efficiency	98.9%
CEC	98.5%
Max. consumption aux. services	9,000 W
Stand-by or night consumption ⁽⁷⁾	< 180 W
Average power consumption per day	2,500 W
General Information	
Ambient temperature	-20 °C to +60 °C
Relative humidity (non-condensing)	0-100% (Outdoor)
Protection class	IP65 ⁽⁸⁾
Corrosion protection	External corrosion protection
Maximum altitude	4,500 m (for installations beyond 1,000 m, please contact Ingeteam's solar sales department)
Cooling system	Liquid cooling system and forced air cooling system with temperature control (400V 3 phase + neutral power supply, 50/60 Hz)
Air flow range	0 - 18,000 m³/h
Average air flow	12,000 m³/h
Acoustic emission (100% / 50% load)	57 dB(A) at 10m / 49.7 dB(A) at 10m
Marking	CE
EMC and security standards	IEC 62920, IEC 61000-6-1, IEC 61000-6-2, IEC 61000-6-4, IEC 61000-3-11, IEC 61000-3-12, IEC 62109-1, IEC 62109-2, EN 50178, FCC Part 15, AS3100
Grid connection standards	IEC 62116, EN 50530, IEC 61683, EU 631/2016 (EN 50549-2, P.O.12.2, CEI 0-16, VDE AR N 4120 ...), G99, South African Grid code, Mexican Grid Code, Chilean Grid Code, Ecuadorian Grid Code, Peruvian Grid code, Thailand PEA requirements, IEC61727, UNE 206007-1, ABNT NBR 16149, ABNT NBR 16150, IEEE 1547, IEEE1547.1, DEWA (Dubai) Grid code, Abu Dhabi Grid Code, Jordan Grid Code, Egyptian Grid Code, Saudi Arabia Grid Code, RETE Colombia, Australian Grid Code

Notes: ⁽¹⁾ Depending on the type of installation and geographical location. Data for STC conditions. ⁽²⁾ V_{mpp,min} is for rated conditions (V_{oc}=1 p.u. and Power Factor=1) and floating systems. ⁽³⁾ Consider the voltage increase of the 'V_{oc}' at low temperatures. ⁽⁴⁾ Other AC voltages and powers available upon request. ⁽⁵⁾ For P_{out}>25% of the rated power. ⁽⁶⁾ For P_{out}>25% of the rated power and voltage in accordance with IEC 61000-3-4. ⁽⁷⁾ Consumption from PV field when there is PV power available. ⁽⁸⁾ Except for the LC filter and the air-water heat exchanger, that are IP54.

2.1. Power station

La power station comprende quadro di BT, Inverter, trasformatore BT/MT, quadro MT, pannello ausiliari. Può essere a 1 o 2 inverter. La soluzione tecnica è costituita da uno skid prefabbricato .

Le unità previste hanno una potenza nominale alle condizioni di test standard di 3.824 kVA (1 inverter) o 7.648 kVA (2 inverter) e con 1 MPPT per ciascuna unità. Di seguito si riporta il datasheet dell'inverter marca INGETEAM modelo INGECON POWERSTATION FSK C SERIES.



MEDIUM VOLTAGE POWER STATION CUSTOMIZED UP TO 7.65 MVA, WITH ALL THE COMPONENTS SUPPLIED ON TOP OF THE SAME SKID PLATFORM

From 2500 up to 7650 kVA

This medium-voltage solution integrates all the necessary elements to develop a large-scale solar PV plant.

Maximize your investment with a minimal effort

Ingeteam's FSK power station is a compact, customizable and flexible solution that can be configured to suit each customer's requirements. It is supplied together with up to two photovoltaic inverters. All the equipment is suitable for outdoor installation, so there is no need of any kind of housing.

Higher adaptability and power density

This power station is now more versatile, as it presents the MV transformer integrated into a steel platform together with the LV and MV components, including the PV inverters. Moreover, it features one of the market's greatest power densities.

Plug & Play technology

This MV solution integrates power conversion equipment (up to 7.65 MVA), liquid-filled hermetically sealed transformer up to 38 kV and

provision for low voltage equipment. The MV Skid is delivered pre-assembled for a fast on-site connection with up to two PV inverters from Ingeteam's INGECON® SUN 3Power C Series inverter family.

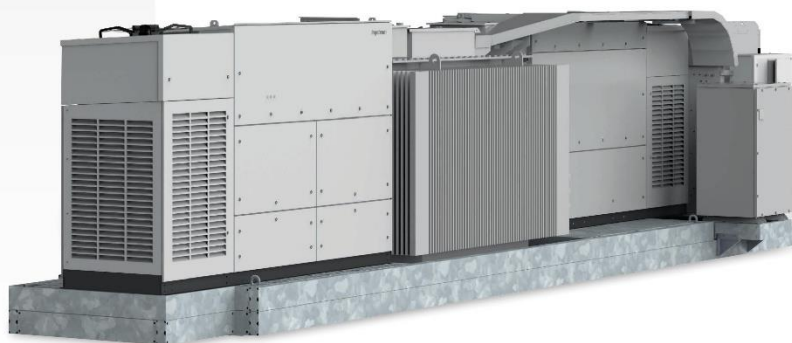
Complete accessibility

Thanks to the lack of housing, the inverters, the switchgear and the transformer can have immediate access. Furthermore, the design of the 3Power C Series central inverters has been conceived to facilitate maintenance and repair works.

Maximum protection

Ingeteam's 3Power C Series central inverters feature an IP65 protection class for their power stacks thanks to a combined water and air cooling system that optimises the operating temperature of the power electronics.

Apart from that, they feature the main electrical protections and they deploy grid support functionalities, such as low voltage ride-through capability, reactive power deliverance and active power injection control.



www.ingeteam.com
solar.energy@ingeteam.com

Ingeteam

CONSTRUCTION

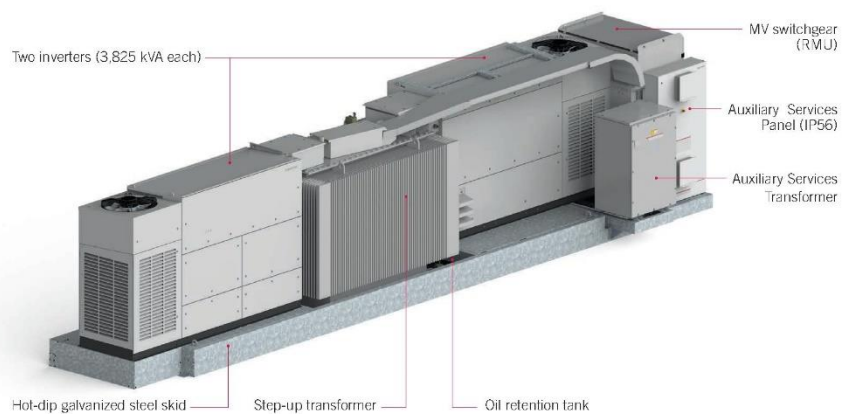
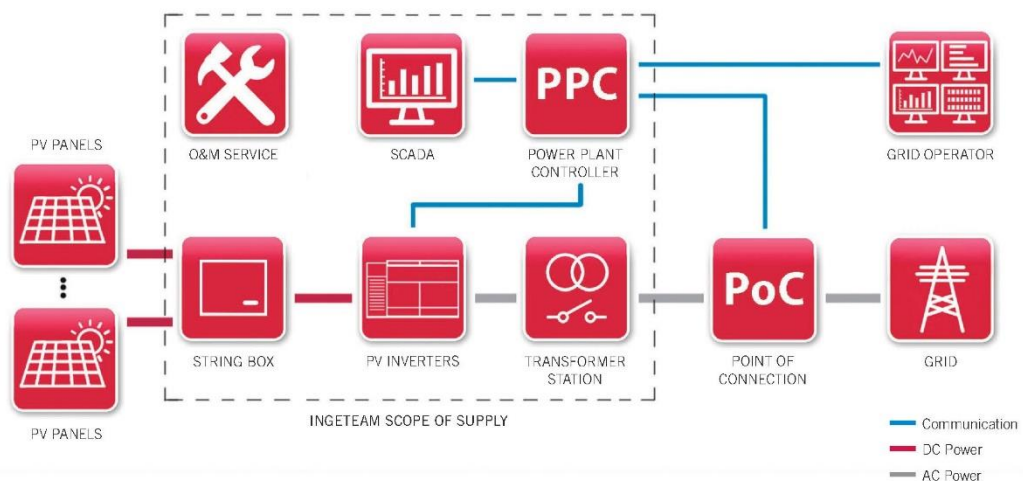
- Steel base frame.
- Suitable for slab or piers mounting.
- Compact design, minimising freight costs.
- Minimum installation at project site.

OPTIONAL ACCESSORIES

- Auxiliary services transformer (up to 60 kVA, Dyn11).
- MV Surge arresters.
- Auxiliary services panel (IP56)
- Power plant commissioning.
- High-speed Ethernet / fibre optic communication infrastructure for Plug & Play connection to the Power Plant Controller and/or SCADA systems.
- INGECON® SUN StringBox with 16 / 24 / 32 input channels. Intelligent or passive string combiner box.
- Energy meter for auxiliary services and/or energy production.
- Insulation monitoring relay for continuous monitoring of IT systems insulation.
- Reactive power regulation when there is no PV power available.
- Ground connection of the PV array.

STANDARD EQUIPMENT

- Up to two inverters with an output power of 7.65 MVA.
- Liquid-filled hermetically-sealed transformer up to 36 kV.
- 1L1A MV switchgear (2L1A optional).
- Oil-retention tank.
- Metal frame for installation of LV equipment.

COMPONENTS

PLANT CONFIGURATION


2.2. Cavi

Il cablaggio interno al campo fotovoltaico relativo alla parte di potenza del sistema prevede tre tipologie di connessioni: la prima collega le stringhe ai combiner box posti in campo, la seconda prevede il collegamento tra i combiner box e le trasformer station, la terza ed ultima tipologia riguarda l'anello di media tensione che inizia e termina in corrispondenza della cabina di consegna.

- STRINGA/INVERTER

Normalmente sono posati a portata di mano, posti all'esterno e sottoposti agli agenti atmosferici. Occorre pertanto che siano in grado di resistere alle sollecitazioni meccaniche e atmosferiche cui possono essere sottoposti durante l'esercizio.

Generalmente si utilizzano cavi solari del tipo FG21M21 per cablare i moduli di una stringa e cavi ordinari posati all'interno di tubi protettivi per gli altri collegamenti del circuito in c.c

DESCRIZIONE

Cavo unipolare flessibile stagnato per collegamenti di impianti fotovoltaici. Isolamento e guaina realizzati con mescola elastomerica senza alogeni non propagante la fiamma.

Conduttore

Corda flessibile di rame stagnato, classe 5

Isolante

HEPR - tipo G21

Guaina esterna

Mescola elastomerica reticolata senza alogeni tipo M21

Colore anime

Nero

Colore guaina

Blu, rosso, nero

CARATTERISTICHE TECNICHE

Tensione massima: 1800 V c.c. - 1200 V c.a.

Temperatura massima di esercizio: 90°C

Temperatura minima di esercizio: -40°C

Temperatura minima di posa: -40°C

Temperatura massima di corto circuito: 250°C

Sforzo massimo di trazione: 15 N/mm²

Raggio minimo di curvatura: 4 volte il diametro esterno massimo

CONDIZIONI DI IMPIEGO

Per l'interconnessione di elementi di impianti fotovoltaici. Adatti per l'installazione fissa all'esterno e all'interno, entro tubazioni in vista o incassate o in sistemi chiusi similari. Adatti per la posa direttamente interrata o entro tubo interrato.

Per il dimensionamento del cavo, la tensione nominale (fornita dal costruttore) deve essere coordinata con quella del campo FV; assumendo come tensione nominale del circuito in c.c. la tensione di stringa a vuoto incrementata cautelativamente del 20%, la scelta del cavo va effettuata in modo tale da rispettare la condizione:

$$1,2 U_{ocstringa} \leq 1,5 \cdot U_0 \text{ nel caso di sistemi floating o con un polo a terra}$$

$$1,2 U_{ocstringa} \leq 1,5 \cdot U \text{ nel caso di sistemi con punto centrale a terra}$$

dove:

- ✓ $U_{ocstringa}$ è la tensione a vuoto di stringa [V];
- ✓ U_0 è la tensione di isolamento verso terra del cavo, dichiarata dal costruttore [V];
- ✓ U è la tensione di isolamento tra due conduttori isolati qualsiasi nel cavo, dichiarata dal costruttore [V].

Scelto il tipo di cavo da utilizzare si procede al dimensionamento della sezione applicando il criterio termico.

In accordo al criterio termico, la sezione S di un cavo è scelta tra quelle che, nelle condizioni di posa previste dal progetto, assicurano una portata del cavo I_z non inferiore alla corrente di impiego I_B del circuito.

Nel circuito in corrente continua, la corrente di impiego è pari a:

$$I_B = 1,25 \cdot I_{sc} \text{ per il cavo della singola stringa;}$$

Ai fini del corretto dimensionamento occorre verificare che:

$$I_B \leq I_z = I_0 \cdot K_1 \cdot K_2 \cdot K_3 \cdot K_4 \text{ dove:}$$

- I_0 è la portata del cavo in condizioni standard, il cui valore è deducibile dalle tabelle della norma CEI-UNEL 35024/1 e 35026 per i cavi ordinari, o fornito direttamente dal costruttore nel caso di cavi solari;
- K_1, K_2, K_3 e K_4 sono dei fattori di correzione da applicare qualora le condizioni di posa siano diverse da quelle standard:
 - K_1 fattore di correzione per temperatura di posa diversa da quella standard;
 - K_2 fattore di correzione per gruppi di più circuiti installati nello stesso cavidotto;
 - K_3 fattore di correzione per cavi interrati per profondità di interramento diversa da quella standard;
 - K_4 fattore di correzione per resistività termica del terreno diversa da quella standard.

I valori K2, K3 e K4 sono deducibili dalle suddette norme.

Il valore di K1 invece si calcola con la seguente espressione:

$$K1 = \sqrt{[(\theta_s - \theta_a) / (\theta_s - \theta_0)]}$$

in cui:

- θ_s è la temperatura di funzionamento ininterrotto del cavo, pari a 70°C per cavi ordinari in PVC e 90°C se in EPR. Per i cavi solari viene fornito dal costruttore ed in genere è intorno a 120°C;
- θ_a è la temperatura di posa, assunta pari a 80°C per posa su retro dei moduli, 40°C per posa in tubo o canale protettivo esposto al sole, 35°C per posa all'interno di locale contenente inverter e quadri campo;
- θ_0 è la temperatura di riferimento per il calcolo della portata in condizioni standard, pari a 20°C per i cavi ordinari in posa interrata, 30°C per i cavi ordinari in posa in aria, il valore fornito dal costruttore per i cavi solari (in genere 60°C).

Scelta la sezione del cavo è necessario che la caduta di tensione percentuale sul lato corrente continua non superi un valore massimo pari al 2%.

La limitazione della caduta di tensione non dipende dalla necessità di mantenere elevata la tensione in ingresso all'inverter ma da quella di limitare le perdite di energia sulla sezione in c.c.

Ai fini del calcolo della massima caduta di tensione, è stata applicata la seguente formula:

$$\Delta V\% = r \cdot L \cdot I_{sc} / (5 \cdot U_{MPP})$$

dove:

- ✓ I_{sc} è la corrente di cortocircuito di stringa;
- ✓ r è la resistenza del cavo [Ω/km];
- ✓ L è la lunghezza del cavo che collega un polo della stringa all'inverter [m];
- ✓ U_{MPP} è la tensione di stringa nel punto di massima potenza calcolata a 25°C [V].

- **COMBINER INVERTER/QUADRI BT**

I cavi della sezione in corrente alternata sono quelli che consentono di collegare gli inverter ai quadri elettrici di bassa tensione.

Il loro dimensionamento è stato effettuato applicando il criterio termico.

In accordo al criterio termico, la sezione S di un cavo è scelta tra quelle che, nelle condizioni di posa previste dal progetto, assicurano una portata del cavo I_z non inferiore alla corrente di impiego I_B del circuito, assunta pari alla massima corrente erogabile da ciascun inverter (134.9 A circa).

Le linee saranno posate all'interno di tubazione protettiva in PVC, ad una profondità di posa di 1,20 m misurato dall'estradosso superiore del tubo. I tubi protettivi avranno un diametro almeno 1,3 volte quello del cavo o del cerchio circoscritto ai cavi, per permettere un facile infilaggio. All'interno della trincea di scavo la presenza dei cavi elettrici verrà segnalata con apposito nastro di segnalazione che verrà posato lungo lo scavo.

Tipologia di cavo

FG16OR16-0,6/1 kV

DESCRIZIONE

Conduttore

Conduttore a corda rotonda flessibile di rame rosso ricotto

Isolamento

Gomma HEPR ad alto modulo qualità G16 che conferisce al cavo elevate caratteristiche elettriche, meccaniche e termiche

Riempitivo

termoplastico, penetrante tra le anime (solo nei cavi multipolari)

Guaina

In PVC speciale di qualità R16, colore grigio

Colore

Grigio

CARATTERISTICHE FUNZIONALI

Tensione nominale U_0/U : 600/1000 V c.a. 1500 V c.c.

Tensione massima U_m : 1200 V c.a. 1800 V c.c. anche verso terra

Tensione di prova industriale: 4000 V

Temperatura massima di esercizio: 90°C

Temperatura minima di esercizio: -15°C (in assenza di sollecitazioni meccaniche)

Temperatura massima di corto circuito: 250°C

CARATTERISTICHE PARTICOLARI

Buona resistenza agli oli e ai grassi industriali. Buon comportamento alle basse temperature. Resistente ai raggi UV.

MARCATURA

FG16OR16 0,6/1 kV, Cca-s3,d1,a3

CONDIZIONI DI POSA E TIPO DI IMPIEGO

Temperatura minima di posa: 0°C

Raggio minimo di curvatura consigliato: 4 volte il diametro del cavo

Massimo sforzo di trazione consigliato: 50 N/mm² di sezione del rame

Riferimento Guida CEI 20-67 per quanto applicabile:

Il cavo è adatto per l'alimentazione di energia nell'industria, nei cantieri, nell'edilizia residenziale. Per posa fissa all'interno e all'esterno, anche in ambienti bagnati; per posa interrata diretta e indiretta. Per all'installazione all'aria aperta, su murature e strutture metalliche, su passerelle, tubazioni, canalette e sistemi simili. Adatto per installazioni a fascio in ambienti a maggior rischio in caso d'incendio.

- COLLEGAMENTI QUADRI BT / TRASFORMATORE

Si utilizzerà la medesima tipologia di cavo descritta al paragrafo precedente (FG16OR16 0,6/1 kV). Ciascun trasformatore verrà collegato al quadro elettrico generale di bassa tensione con cavi, in genere FG16OR16 0,6/1 kV, o condotti sbarre, dimensionati per portare almeno la corrente nominale secondaria del trasformatore. I cavi possono essere posati in cunicoli, passerelle, canali, tubi, sottopavimento o galleggiante.

In linea generale, si ritiene di uniformare la sezione dei cavi, considerando il valore di massima corrente pari a 1500 A, utilizzando cinque corde ognuna di sezione pari a 630 mmq per ogni fase e considerando le seguenti condizioni di esercizio:

- temperatura di esercizio del conduttore 90°C
- temperatura ambiente per posa in aria: 30°C
- temperatura del terreno per posa interrata: 20°C
- resistività termica del terreno: 1°C m/W

I cavi in parallelo devono avere la stessa sezione e lunghezza per favorire una corretta ripartizione del carico; inoltre i cavi di una stessa fase devono essere disposti, per quanto possibile, in modo simmetrico rispetto centro del fascio di cavi (per uniformare le mutue induttanze).

I condotti sbarre devono avere una corrente nominale superiore alla corrente nominale secondaria del trasformatore e una corrente nominale ammissibile di breve durata uguale o superiore alla corrente di cortocircuito nel punto di installazione.

Circa la forma di segregazione del quadro generale BT non esistono prescrizioni normative.

- COLLEGAMENTI MT

La terza tipologia di collegamento dei componenti in campo è quella relativa alla parte di media tensione, tali collegamenti sono quelli che interessano tutti i quadri di media tensione presenti in campo, sia quelli nelle transformer station che nella cabina di consegna. Cavi con conduttore in alluminio ad elica visibile per collegamenti tra cabine di

trasformazione e le grandi utenze. Sigla di designazione ARG7H1R, colore guaina rosso.

Condizioni di impiego comuni

Adatti per il trasporto di energia tra le cabine di trasformazione e le grandi utenze; particolarmente indicati nei luoghi con pericolo d'incendio, nei locali dove si concentrano apparecchiature, quadri e strumentazioni dove è fondamentale la loro salvaguardia. Ammessa la posa interrata in conformità all'art. 4.3.11 della norma CEI 11-17. Consigliabile dove lo stoccaggio è ad alto rischio di furto.

Condizioni di posa

I cavi dovranno essere posati rispettando il raggio minimo di curvatura per diametro D (mm):

- $R = 10D$

Sforzo massimo di tiro 50 N/mm².

- COLLEGAMENTO IN CASO DI INVERTER CENTRALI

Stringhe

Le stringhe fotovoltaiche normalmente sono installate a portata di mano, all'esterno e sottoposte agli agenti atmosferici. Occorre pertanto che siano in grado di resistere alle sollecitazioni meccaniche e atmosferiche cui possono essere sottoposte durante la vita dell'impianto.

Generalmente si utilizzano cavi solari del tipo FG21M21 per cablare i moduli di una stringa e cavi ordinari posati all'interno di tubi protettivi per gli altri collegamenti del circuito in c.c.

DESCRIZIONE

Cavo unipolare flessibile stagnato per collegamenti di impianti fotovoltaici. Isolamento e guaina realizzati con mescola elastomerica senza alogeni non propagante la fiamma.

Conduttore

Corda flessibile di rame stagnato, classe 5

Isolante

HEPR - tipo G21

Guaina esterna

Mescola elastomerica reticolata senza alogeni tipo M21

Colore anime

Nero

Colore guaina

Blu, rosso, nero

CARATTERISTICHE TECNICHE

Tensione massima: 1800 V c.c. - 1200 V c.a.

Temperatura massima di esercizio: 90°C

Temperatura minima di esercizio: -40°C

Temperatura minima di posa: -40°C

Temperatura massima di corto circuito: 250°C

Sforzo massimo di trazione: 15 N/mm²

Raggio minimo di curvatura: 4 volte il diametro esterno massimo

CONDIZIONI DI IMPIEGO

Per l'interconnessione di elementi di impianti fotovoltaici. Adatti per l'installazione fissa all'esterno e all'interno, entro tubazioni in vista o incassate o in sistemi chiusi similari. Adatti per la posa direttamente interrata o entro tubo interrato.

Cavi C.C quadri di parallelo stringhe – Inverter

Generalmente si utilizzano cavi solari del tipo Al-XZ1

DESCRIZIONE

Cavo unipolare in alluminio privo di alogeni e ignifugo.

Conduttore

Rigido di alluminio, classe 2

Isolante

XLPE, tipo DIX3

Guaina esterna

Mescola speciale priva di alogeni, tipo FLAMEX DMO1

Colore anime

Nero

Colore guaina

Nero

CARATTERISTICHE TECNICHE

Tensione: 0.6/1 kV

Temperatura massima di esercizio: 90°C

Temperatura minima di esercizio: -40°C

Temperatura minima di posa: -40°C

Temperatura massima di corto circuito: 250°C

Raggio minimo di curvatura: 5 volte il diametro esterno massimo

CONDIZIONI DI IMPIEGO

Si tratta di un cavo per installazioni fisse, in reti di distribuzione pubblica a bassa tensione. Adatto per installazioni interne, esterne e interrate.

Per il dimensionamento del cavo, la tensione nominale (fornita dal costruttore) deve essere coordinata con quella del campo FV; assumendo come tensione nominale del circuito in c.c. la tensione di stringa a vuoto incrementata cautelativamente del 20%, la scelta del cavo va effettuata in modo tale da rispettare la condizione:

$1,2 U_{ocstringa} \leq 1,5 \cdot U_o$ nel caso di sistemi floating o con un polo a terra

$1,2 U_{ocstringa} \leq 1,5 \cdot U$ nel caso di sistemi con punto centrale a terra

dove:

- ✓ $U_{ocstringa}$ è la tensione a vuoto di stringa [V];
- ✓ U_o è la tensione di isolamento verso terra del cavo, dichiarata dal costruttore [V];
- ✓ U è la tensione di isolamento tra due conduttori isolati qualsiasi nel cavo, dichiarata dal costruttore [V].

Scelto il tipo di cavo da utilizzare si procede al dimensionamento della sezione applicando il criterio termico.

In accordo al criterio termico, la sezione S di un cavo è scelta tra quelle che, nelle condizioni di posa previste dal progetto, assicurano una portata del cavo I_z non inferiore alla corrente di impiego I_B del circuito.

Nel circuito in corrente continua, la corrente di impiego è pari a:

$I_B = 1,25 \cdot I_{sc}$ per il cavo della singola stringa;

Ai fini del corretto dimensionamento occorre verificare che:

$I_B \leq I_z = I_o \cdot K_1 \cdot K_2 \cdot K_3 \cdot K_4$ dove:

- I_o è la portata del cavo in condizioni standard, il cui valore è deducibile dalle tabelle della norma CEI-UNEL 35024/1 e 35026 per i cavi ordinari, o fornito direttamente dal costruttore nel caso di cavi solari;
- K_1, K_2, K_3 e K_4 sono dei fattori di correzione da applicare qualora le condizioni di posa siano diverse da quelle standard:

- K1 fattore di correzione per temperatura di posa diversa da quella standard;
- K2 fattore di correzione per gruppi di più circuiti installati nello stesso cavidotto;
- K3 fattore di correzione per cavi interrati per profondità di interramento diversa da quella standard;
- K4 fattore di correzione per resistività termica del terreno diversa da quella standard.

I valori K2, K3 e K4 sono deducibili dalle suddette norme.

Il valore di K1 invece si calcola con la seguente espressione:

$$K1 = \sqrt{[(\theta_s - \theta_a) / (\theta_s - \theta_0)]}$$

in cui:

- θ_s è la temperatura di funzionamento ininterrotto del cavo, pari a 70°C per cavi ordinari in PVC e 90°C se in EPR. Per i cavi solari viene fornito dal costruttore ed in genere è intorno a 120°C;
- θ_a è la temperatura di posa, assunta pari a 80°C per posa su retro dei moduli, 40°C per posa in tubo o canale protettivo esposto al sole, 35°C per posa all'interno di locale contenente inverter e quadri campo;
- θ_0 è la temperatura di riferimento per il calcolo della portata in condizioni standard, pari a 20°C per i cavi ordinari in posa interrata, 30°C per i cavi ordinari in posa in aria, il valore fornito dal costruttore per i cavi solari (in genere 60°C).

Scelta la sezione del cavo è necessario che la caduta di tensione percentuale sul lato corrente continua non superi un valore massimo pari al 2%.

La limitazione della caduta di tensione non dipende dalla necessità di mantenere elevata la tensione in ingresso all'inverter ma da quella di limitare le perdite di energia sulla sezione in c.c.

Ai fini del calcolo della massima caduta di tensione, è stata applicata la seguente formula:

$$\Delta V\% = r \cdot L \cdot I_{sc} / (5 \cdot U_{MPP})$$

dove:

- ✓ I_{sc} è la corrente di cortocircuito di stringa;
- ✓ r è la resistenza del cavo [Ω/km];
- ✓ L è la lunghezza del cavo che collega un polo della stringa all'inverter [m];
- ✓ U_{MPP} è la tensione di stringa nel punto di massima potenza calcolata a 25°C [V].

2.3. Combiner box

Nel caso del secondo scenario, le stringhe verranno collegate ai box di parallelo ubicati su appositi supporti alloggiati

sotto le strutture (o direttamente sulle strutture di sostegno dei moduli), protetti da agenti atmosferici, e saranno realizzati in poliestere rinforzato con fibre di vetro, dotato di guarnizioni a tenuta stagna grado isolamento IP65 cercando di minimizzare le lunghezze dei cavi di connessione.

I suddetti quadri di campo realizzano il sezionamento ed il parallelo delle stringhe dei moduli provenienti dal campo fotovoltaico. All'interno saranno presenti dispositivi di sezionamento costituiti da portafusibili con tensione nominale di esercizio 1500Vdc e interruttore di manovra e sezionamento per il parallelo stringhe. I dispositivi interni al box sono tutti prettamente passivi incluso il morsetto per il collegamento a terra dello scaricatore di sovratensione.

Dai box partiranno i cavi di collegamento fino alla cabina di trasformazione in cui sono contenuti gli inverter.

2.4. Connessione AT/MT

La connessione alla sottostazione utente MT/AT viene effettuata da parte in media tensione a 30 kV mediante linea in cavo. L'inizio fisico dell'impianto elettrico dell'utente è da intendersi coincidente con il punto di consegna ossia con lo stallo lato distributore posto nella Stazione Elettrica di Trasformazione RTN a 380/150 kV "Roma Ovest" (SE). I gruppi di misura sono di proprietà del distributore e devono essere installati in apposito locale contatori, la misura fiscale sarà eseguita in corrispondenza del quadro MT posto in sottostazione utente, in corrispondenza della linea in arrivo dal campo gruppi di misura sono di proprietà del distributore e devono essere installati in apposito locale contatori, la misura fiscale sarà eseguita in corrispondenza del quadro MT posto in sottostazione utente, in corrispondenza della linea in arrivo dal campo. Il contatore deve essere derivato dalle sbarre MT a mezzo di TA e TV montati in uno scomparto installato nel locale a disposizione dello stesso ente distributore (la misura in bt costituisce caso eccezionale e viene effettuata con particolari modalità). Le dimensioni e la dislocazione del locale a disposizione dell'ente distributore e del locale contatori devono essere oggetto di preventivo accordo con l'ente distributore di energia elettrica. I suddetti locali devono risultare accessibili allo stesso distributore anche in assenza degli utenti. La cabina di trasformazione deve risultare conforme alle vigenti disposizioni legislative e alle norme CEI applicabili. In particolare, il manufatto in cemento o muratura della cabina deve essere conforme alle disposizioni dell'ente distributore e alle seguenti prescrizioni legislative:

- a) Legge n. 1086 del 5 novembre 1971
- b) Circolare M.LL.PP. n. 20244 del 30 giugno 1980 (parte C)
- c) Circolare C.S.LL.PP. n. 6090 punto 4.6
- d) Legge n. 64 del 2 febbraio 1974
- e) D.M. 24 febbraio 1986
- f) D.M. 3 dicembre 1987
- g) Circolare M.LL.PP. n. 31104 del 16 marzo 1989
- h) D.M. 12 febbraio 1982
- i) Circolare M.LL.PP. n. 22631 del 24 maggio 1982

Le apparecchiature elettriche installate in cabina devono essere rispondenti alle specifiche norme CEI applicabili.

Qualora i trasformatori installati siano isolati in olio e il contenuto d'olio complessivo dei trasformatori installati in cabina superi i 500 kg deve essere predisposta idonea vasca di raccolta olio in accordo con quanto previsto dal D.Lgs 81/08 e dalle norme CEI 11-1.

Lo schema elettrico di cabina deve essere esposto in posizione facilmente visibile.

2.5. Schemi di allacciamento

Lo schema di cabina deve essere conforme a quanto previsto dal documento di unificazione CEI 0-16 "Regola tecnica di riferimento per la connessione di Utenti attivi e passivi alle reti AT ed MT delle imprese distributrici di energia elettrica". Eventuali modifiche allo stesso derivante da eventuali disposizioni dell'ente distributore più recenti potranno essere prese in considerazione. Le modalità di alimentazione saranno funzione della potenza impegnata, del numero di trasformatori e della configurazione della rete MT. Il dispositivo generale deve essere costituito a partire dal lato MT da una terna di lame di messa a terra, da un sezionatore tripolare e da un interruttore fisso/interruttore estraibile. Devono inoltre essere realizzati tutti gli interblocchi del caso per evitare manovre errate. In particolare, la terna di lame di terra dello scomparto arrivo della sezione ricevitrice deve essere vincolata con un dispositivo di blocco meccanico sigillato dal distributore (la manovra in chiusura della terna di lame di messa a terra deve essere possibile solo previa autorizzazione dell'ente distributore); la terna di lame di messa a terra dello scomparto protezione generale/protezione trasformatore deve essere interbloccata meccanicamente con il sezionatore (la manovra di chiusura della terna di lame di messa a terra deve essere possibile solo a sezionatore aperto); il sezionatore deve essere interbloccato meccanicamente con l'interruttore (la manovra di apertura del sezionatore deve essere possibile solo a interruttore aperto); la porta dello scomparto arrivo/protezione trasformatore deve essere interbloccata meccanicamente con la terna di lame di messa a terra (la porta deve potersi aprire solo se la terna di lame di messa a terra è nella posizione di chiuso). La protezione contro le sovracorrenti deve essere realizzata per mezzo dell'interruttore dello scomparto protezione generale azionato da idoneo relè la cui taratura deve essere concordata con l'ente distributore (settori tecnici della distribuzione del compartimento di appartenenza).

La protezione contro i guasti di terra deve essere realizzata per mezzo di rilevatori di corrente omopolare alimentati tramite trasformatore toroidale. Anche la protezione contro i guasti di terra deve avere taratura concordata con l'ente distributore.

2.6. Impianto di ventilazione

Il locale utente, (vano ove sono alloggiare le apparecchiature di proprietà dell'utente quali il trasformatore, gli scomparti MT e BT, gruppi di continuità assoluta, soccorritori,...) deve essere dotato di idoneo sistema di ventilazione naturale/forzata (o di condizionamento) atto a garantire che nel periodo estivo con trasformatore/i a pieno carico la temperatura interna non superi comunque i 40°C.

2.7. Raffreddamento con ventilazione forzata

Deve essere previsto un elettroventilatore con portata calcolata (valore indicativo) con la formula $Q=0.5 \cdot P \text{ m}^3/\text{s}$ (P: perdite totali in kW del trasformatore e delle altre apparecchiature) comandato da termostato ambiente attraverso un contattore che entrerà in funzione ogniqualvolta la temperatura all'interno della cabina risultasse eccessivamente elevata.

2.8. Raffreddamento con ventilazione naturale

Devono essere previste due aperture, una d'entrata di aria fresca di sezione $S=0,18 \cdot P/H \frac{1}{2}$ situata nella parte bassa del locale (P: somma delle perdite in kW delle apparecchiature, H: differenza d'altezza tra l'apertura d'ingresso e quella d'uscita) l'altra d'uscita dell'aria calda $S'=1,1 \cdot S$ situata possibilmente nella parte opposta del locale ad un'altezza H dall'apertura d'ingresso.

2.9. Raffreddamento con impianto di condizionamento

Tale impianto è da realizzare nei locali in cui sono alloggiati prevalentemente apparecchiature di tipo elettronico (centraline impianti speciali, PLC,...). Devono essere previste unità esterne ed interne aventi idonea potenzialità frigorifera.

2.10. Impianto luce, fm e speciali in cabina

L'impianto elettrico BT di cabina dovrà comprendere l'impianto di illuminazione generale dimensionato per avere un livello di illuminamento medio non inferiore a 200-250 lx, un impianto di illuminazione di emergenza (con corpi del tipo autoalimentato o alimentati da soccorritore) che garantisca per circa due ore un illuminamento medio pari a circa 10 lx ed un impianto forza motrice (FM) costituito da quadretti prese CEE interbloccate di servizio. La dotazione impiantistica della cabina sarà completata con eventuali impianti speciali (rivelazione incendi, spegnimento, antintrusione...). Le dimensioni dei cunicoli e/o delle tubazioni annegate nella platea della cabina per il passaggio dei conduttori devono avere dimensioni appropriate. In particolare, si dovranno evitare eccessivi stipamenti dei cavi, raggi di curvatura eccessivamente ridotti e promiscuità tra cavi per MT, cavi per bt e cavi per impianti speciali.

2.11. Impianto di terra

Lungo le pareti, ad una altezza di circa 50 cm, dovrà essere realizzato un collettore di terra costituito da un anello in piatto di rame o di acciaio zincato da 30x5 mm. L'anello dovrà essere collegato alla rete elettrosaldata presente nella platea di fondazione almeno in corrispondenza degli angoli di ciascun locale. Al collettore dovranno essere collegate tutte le parti metalliche e le apparecchiature di cabina. In particolare:

- a) Porte e finestre metalliche
- b) Carpenterie dei quadri elettrici
- c) Carcasse dei trasformatori
- d) Centri stella del /i trasformatore/i
- e) Rotaie dei trasformatori
- f) Passerelle e canaline metalliche (se necessario)

I collegamenti a terra di parti mobili dovranno essere realizzati con treccia di rame avente sezione minima pari a 35 mm. Il collettore sarà poi collegato al dispersore esterno mediante almeno due conduttori di terra aventi sezione adeguata. Il dispersore sarà possibilmente costituito da un anello lungo il sedime della cabina, realizzato in corda di rame nudo da 35mmq (sezione minima) o altro materiale equivalente.

Il dispersore sarà integrato con elementi verticali (picchetti) e sarà collegato ai ferri di armatura della fondazione.

2.12. Accessori

Dovranno essere forniti i seguenti accessori (dotazione minima):

- a) Tappeto isolante 24 kV, posizionato a pavimento sul fronte degli scomparti di media tensione per tutta la loro lunghezza
- b) Quadro con evidenziato lo schema elettrico della cabina da installare a parete
- c) Estintori in numero e tipo indicato negli altri elaborati di progetto fissati a parete in posizione opportuna
- d) Tavolino con sedia ed armadietto
- e) Lampada portatile di emergenza con batterie sempre in carica
- f) Cartelli monitori previsti dal D.Lgs 81/08

2.13. Sistema di distribuzione TN

La protezione contro i contatti indiretti, in un sistema TN, deve essere garantita mediante una o più delle seguenti misure:

- a) tempestivo intervento delle protezioni di massima corrente degli interruttori preposti alla protezione delle linee, e, laddove ciò non risultasse possibile, tramite protezioni di tipo differenziale;
- b) utilizzo di componenti di classe II;
- c) realizzazione di separazione elettrica con l'uso di trasformatore di isolamento.

Per la protezione contro i contatti indiretti nei sistemi TN è necessario che in ogni punto dell'impianto sia rispettata la condizione:

$$I_a \leq \frac{U_0}{Z_g}$$

dove:

U_0 è la tensione di fase (stellata)

Z_g è l'impedenza dell'anello di guasto

I_a è la corrente di intervento in 5 s, 0.4 s o 0,2 s (a seconda del caso) del dispositivo di protezione.

Tempi di intervento non superiori a 0.4 s sono prescritti per tutti i circuiti terminali. Per i circuiti di distribuzione (dove le probabilità di guasto sono minori), sono ritenuti sufficienti tempi di intervento pari a 5 s. Nell'impossibilità di soddisfare a tale relazione con i dispositivi magnetotermici preposti alla protezione delle linee è previsto il ricorso a sistemi di protezione differenziali.

Nei tratti della rete di distribuzione dove è previsto il sistema TN-C il dispositivo differenziale non può essere utilizzato. Nel caso di utilizzo, a diversi livelli dell'impianto, di più dispositivi differenziali, dovrà essere garantita la selettività di intervento.

2.14. Trasformatori MT/BT e BT/BT

Nel presente paragrafo vengono definiti i requisiti principali che dovranno essere soddisfatti dai trasformatori di potenza MT/bt e bt/bt laddove presenti.

I trasformatori dovranno essere, per quanto possibile, costruiti secondo procedure normalizzate così da garantire la

reperibilità sul mercato per tutta la durata di vita prevista e dovranno essere adatti per sopportare le sollecitazioni termiche e dinamiche derivanti da un eventuale corrente di guasto. Si dovranno inoltre limitare i rumori e le vibrazioni emesse dalla macchina al di sotto delle soglie imposte per legge.

2.14.1. Circuito magnetico

Il circuito magnetico dovrà essere costituito da lamierini a cristalli orientati con taglio dei giunti a 45 gradi con struttura molecolare ad alto tenore di silicio in modo da limitare le perdite nel ferro alla classificazione "a basse perdite".

2.14.2. Avvolgimenti

L'avvolgimento di bassa tensione dovrà essere realizzato con lastra di Al con purezza superiore al 99,5% ed isolato in classe F. L'avvolgimento di media tensione dovrà essere realizzato con piatto di Al a spigoli arrotondati. I trasformatori dovranno essere forniti completi di sonde termiche con relativa centralina di allarme, di golfari di sollevamento e di carrello.

2.14.3. Caratteristiche elettriche

Le prestazioni elettriche dovranno essere comprese nell'ambito dei valori limite previsti per la classificazione delle macchine a "basse perdite" esemplificate nelle taglie di seguito indicate per macchine MT/bt:

- a) Potenza nominale (KVA) 100
- b) Classe di tensione (KV) 24 - 24
- c) Tensione di c.c. (%) 6 - 6
- d) Gruppo Dyn11
- e) Classe di isolamento F/F e per macchine bt/bt:
- f) Classe di tensione (KV) 1.1/3
- g) Tensione di c.c. (%) 6
- h) Gruppo YNyn0
- i) Classe di isolamento F/F

Il valore della tensione di alimentazione primaria dovrà essere, in linea di massima 10/20/30 kV con possibilità di modifica del rapporto di trasformazione in relazione al valore della tensione primaria.

I trasformatori dovranno essere costruiti secondo le normative vigenti in materia. In presenza di valori di tensione di rete, sul lato media tensione di valore inferiore a 30 kV, dovranno essere fornite unità a doppio primario fino alla tensione di 30 kV.

2.14.4. Accessori

Il trasformatore dovrà essere completo di tutti gli accessori necessari per il suo funzionamento ottimale. Si dovranno fornire almeno i seguenti dispositivi e accessori:

- a) Ruote di scorrimento bidirezionali e relativi dispositivi per il bloccaggio alle rotaie o al pavimento;
- b) Ganci per il traino dei trasformatori nei due sensi ortogonali;
- c) Golfari di sollevamento;
- d) Elettroventilatori per incremento della potenza (se richiesti esplicitamente);
- e) Targa di identificazione con evidenziati i dati caratteristici del trasformatore, ubicata in posizione visibile sia nel caso di macchina a giorno (entro box di muratura) sia nel caso di macchina entro box di protezione (tramite oblò di ispezione);

- f) Due prese di messa a terra, con bullone di tipo antiallentante, contrassegnate secondo le norme;
- g) Variatore di tensione a vuoto sull'avvolgimento di media tensione, con prese $\pm 2x2,5\%$;
- h) Termometro a quadrante per l'indicazione della temperatura negli avvolgimenti, dotato di due contatti indipendenti per segnalazione di allarme e scatto;
- i) Centralina di controllo grandezze significative (temperatura, pressione e livello) completa di morsettiera per la raccolta di tutti i circuiti di protezione e allarme, ubicata in posizione facilmente accessibile dal fronte, in grado di generare un segnale di allarme qualora una delle grandezze controllate superi una soglia reimpostata;
- j) Attrezzi speciali per l'esercizio e la manutenzione.

2.14.5. Collegamenti di Bassa Tensione

I collegamenti tra trasformatori e quadri generali di bassa tensione all'interno delle cabine elettriche dovranno essere eseguiti in blindosbarra a cinque conduttori, $3F+N/2+PE/2$, per potenze di trasformazione superiori a 400 kVA, mentre per tagli uguali od inferiori a 400 kVA saranno in cavo di tipo non propagante l'incendio, grado di isolamento 4, con conduttori in rame rivestiti di guaine. I cavi di potenza dovranno essere di tipo unipolare mentre gli ausiliari potranno essere multipolari.

2.14.6. Collegamenti di Media Tensione

Collegamenti di media tensione tra i quadri e i trasformatori dovranno essere eseguiti con cavi di media tensione unipolari di tipo ARG7H1R – 18/30 kV con sezione come previsto da progetto. I cavi dovranno essere conformi alle Norme CEI 20-29/20- 11/20-13 e dovranno essere forniti completi di terminazioni adatte per terminali di tipo "prefabbricate" sui terminali MT sulle macchine di trasformazione. I cavi MT e bt dovranno essere fissati alle pareti del locale (o al box di protezione trasformatore) con adeguati telai di sostegno ed in modo tale che risulti agevole e poco "distruttiva" l'estrazione del trasformatore in caso di manutenzione e/o sostituzione, Tutti i collegamenti ausiliari andranno posati entro guaine protettive e le connessioni andranno eseguite entro cassette dedicate di tipo isolante. Dovrà comunque essere garantito un grado di protezione IP30. I collegamenti saranno infine contrassegnati in modo leggibile e permanente con le stesse sigle riportate negli schemi elettrici.

2.14.7. Box di contenimento trasformatori di potenza

I trasformatori di potenza (nel caso in cui non siano contenuti all'interno di locale dedicato) dovranno essere contenuti in appositi alloggiamenti così costituiti:

- a) n. 1 carpenteria metallica modulare, costituita da una struttura autoportante in lamiera di acciaio, sp. 30/10 mm e da una serie di elementi, sp. min. 20/10 mm, di completamento (porte e pannelli di tamponamento). Per l'accessibilità allo scomparto dovranno essere previste 2 porte anteriori apribili a cerniera.
- b) n. 1 verniciatura RAL 7030, secondo ciclo normalizzato
- c) n. 1 sistema di ventilazione naturale
- d) n. 1 sbarra Cu di messa a terra
- e) n. 2 oblò per visualizzazione interno scomparto
- f) n. 1 serratura di sicurezza (chiave asportabile solo a porte anteriori chiuse)
- g) n. 1 sistema di illuminazione interno scomparto, provvisto di relativo interruttore di comando; (lampada sostituibile dall'esterno scomparto)
- h) n. 1 serie di targhette indicatrici e di sequenza manovre - staffe per supporto/ammaraggio cavi MT e BT

- i) n. 2 rotaie scorrimento Trafo - set minuterie a completamento scomparto

Gli scomparti dovranno avere dimensioni tali da contenere in modo agevole i trasformatori e permettere lo smaltimento del calore da essi prodotto, dovranno essere non rumorosi in presenza, di sollecitazioni elettrodinamiche ed immuni dalla generazione di scariche parziali anche in presenza di sovratensioni nei limiti previsti dalla normativa.

2.15. Quadri elettrici

2.15.1. Quadri di media tensione

I quadri di media tensione dovranno essere di tipo protetto realizzati affiancando scomparti completamente normalizzati, contenenti componenti di media tensione pure normalizzati, progettati singolarmente ed assemblati in modo che soddisfino i criteri di impianto e gli schemi indicati negli elaborati di progetto.

Caratteristiche tecniche

Caratteristiche ambientali:

- a) Temperatura ambiente massima 40°C
- b) Temperatura ambiente media (rif. 24 h) 35°C
- c) Temperatura ambiente minima -10°C
- d) Umidità relativa massima 25°C 90%
- e) Installazione all'interno di un fabbricato in muratura

Caratteristiche elettriche:

- a) Livello di isolamento nominale 24 kV
- b) Tensione di esercizio 20 kV
- c) Frequenza nominale 50±2,5% Hz
- d) Sistema elettrico trifase
- e) Stato del neutro isolato
- f) Tensione di tenuta a 50Hz per 1 min. 50 kV
- g) Tensione di tenuta ad impulso 125 kV
- h) Corrente nominale sbarre principali e derivate 1250A
- i) Corrente nominale amm.le di breve durata per 1 sec. 16 kA
- j) Tensione nominale circuiti ausiliari 230V-24V-50Hz
- k) Tensione nominale circuiti illuminazione e riscaldamento 230V-50Hz

l) Grado di protezione a vano chiuso IP2XC

Rispondenza a norme tecniche e leggi antinfortunistiche: per quanto non espressamente precisato nel presente Capitolato, i quadri dovranno essere rispondenti alle norme CEI vigenti in materia al momento della realizzazione.

- **Caratteristiche costruttive e composizione**

I quadri saranno costituiti da scomparti affiancati in esecuzione segregata, compartimentati in celle elementari metallicamente segregate le une dalle altre in modo da impedire la propagazione di eventuali archi interni. Ogni cella elementare dovrà essere dimensionata per sostenere le sollecitazioni prodotte dalle formazioni di arco interno e pertanto dovrà essere classificata “resistente ad arco interno su fronte”. Le celle di scomparto saranno conformi allo schema di distribuzione di ogni cabina elettrica e precisamente:

- Ingresso alimentazione
- Scomparto di sezionamento generale e TA
- Scomparto di risalita se necessario
- Scomparto strumenti di misura (TV) e fusibili se necessario
- Scomparto di sezionamento e protezione linee MT in arrivo
- Scomparto protezione trasformatori e TA protezioni
- Scomparto con scaricatori di sovratensione
- Canalina interconnessioni ausiliarie
- Cassetta per apparecchiature di bassa tensione
- Sbarre di collegamento

- **Prescrizioni costruttive e funzionali degli scomparti e delle relative celle di compartimentazione**

- **Cella sbarre principali**

La cella sbarre di ciascun scomparto dovrà essere adeguatamente compartimentata mediante interruttore di manovra di tipo rotativo che in posizione di aperto dovrà evitare l'accesso alle parti in tensione. Opportuni diaframmi isolanti dovranno segregare in modo univoco in direzione verticale ed orizzontale. L'accesso alle sbarre sarà possibile solo a quadro completamente fuori tensione tramite pannelli sbullonabili con l'uso di utensili specifici.

- **Cella ingresso**

La cella interruttore dovrà essere disposta nella parte frontale dello scomparto. In sommità la cella dovrà essere equipaggiata di interruttore di manovra di tipo rotativo segregato in SF6 o entro custodia sottovuoto di portata 1250/630A a 20kV in grado di compartimentare lo scomparto sbarre. L'interruttore generale di manovra dovrà essere assemblato alla carpenteria in modo da impedire contatti con parti in tensione, sia con interruttore in posizione di inserito sia in posizione di sezionato. La cella di arrivo dell'alimentazione dovrà essere segregata dalle celle di sbarra previste in sommità al quadro. La messa a terra della linea in arrivo dovrà essere possibile solo dallo scomparto uscita. L'interruttore sezionatore dovrà

poter assumere, rispetto alla parte fissa del quadro le seguenti posizioni:

- a) Inserito: circuiti principali ed ausiliari collegati elettricamente
- b) Sezionato: circuiti principali sezionati e circuiti ausiliari elettricamente collegati Le posizioni di cui sopra dovranno essere rilevate da dispositivi meccanici e segnalate a distanza tramite contatti elettrici di fine corsa portati in morsettiera.

La cella dovrà contenere:

- a) Sezionatore di terra con potere di interruzione da 16 kA
- b) Trasformatori toroidali
- c) Divisori capacitivi di presenza tensione

Sulla porta dovranno essere previsti gli oblò di ispezione interna.

- **Cella strumenti di bassa tensione**

Nella cella strumenti, prevista sopra la cella interruttore, dovrà essere contenuta tutta l'apparecchiatura di bassa tensione di normale impiego. In particolare:

- a) Le morsettiere e la cavetteria (in apposite canalette) per le interconnessioni fra gli scomparti e per l'allacciamento dei cavetti ausiliari
- b) Gli accessori ausiliari dell'interruttore e dello scomparto (strumenti di misura, relè di protezione, dispositivi di comando e segnalazione, fusibili, interruttori di bassa tensione, ecc.)
- c) I contatti ausiliari di posizione dell'interruttore (inserito/sezionato)
- d) L'alimentazione del circuito di sgancio

- **Cella interruttore automatico in gas o sottovuoto**

Dovrà essere prevista a monte dei collegamenti in cavo.

Sarà equipaggiata con:

- a) Sezionatore rotativo di segregazione del vano sbarre dal vano interruttore
- b) Interruttore automatico in esafluoruro "SF6" di tipo estraibile a comando motorizzato per il ricaricamento delle molle
- c) Trasformatori amperometrici di alimentazione delle protezioni a relè o a microprocessore
- d) Protezioni 50-51-51N in allestimento integrato su interruttore o in unità multifunzione
- e) Collegamento seriale delle misure e degli allarmi nel caso di adozione di centralina di protezione a microprocessore e /o di contatti ausiliari per la remotizzazione degli allarmi digitali nel caso di impiego di relè diretti ed indiretti

- f) Divisori capacitivi
- g) Contatti ausiliari per la segnalazione dello stato di manovra delle protezioni
- h) Terminali di MT per collegamenti in cavo
- i) Bobina di sgancio emergenza

- **Canaletta interconnessioni**

All'interno si dovranno prevedere canalette per la raccolta delle connessioni ausiliarie fra i vari scomparti e verso l'impianto esterno. Il fronte del quadro e le coperture dovranno essere integri ed esenti da lavorazioni aggiuntive.

- **Sicurezze funzionali e antinfortunistiche**

Con tutti i circuiti a media tensione attivi dovranno essere possibili, senza pericolo, le seguenti attività:

- a) Dall'esterno del quadro mantenendo la continuità del suo involucro ed il grado di protezione per esso prescritto:
 - Comando elettrico di apertura degli apparecchi di interruzione e sezionamento per i quali esso è previsto in progetto
 - Comando meccanico di apertura e chiusura degli apparecchi privi di comando elettrico; per i sezionatori dovrà essere possibile anche il bloccaggio in posizione di "chiuso" o di "aperto" a mezzo dispositivo di blocco con chiave asportabile
 - Controllo diretto a vista, senza dover ricorrere all'apertura di portelle, della posizione dell'interruttore
 - Verifica della presenza della tensione sulle linee a media tensione raccordate al quadro e della corrispondenza delle fasi
- b) Dopo l'apertura di portelle incernierate dotate di blocchi elettrici tali da rendere inaccessibili le apparecchiature sotto tensione a frontale aperto:
 - Manovre di separazione e reinserimento degli apparecchi "estraibili" • Comando meccanico di apertura e chiusura di apparecchi di interruzione
 - Ispezioni in servizio degli apparecchi elettrici a bassa tensione di protezione, comando, segnalazione e misura

- **Circuiti a media tensione**

I circuiti principali saranno costituiti da un unico sistema a sbarre di rame argentato nelle giunzioni e rivestito in resina epossidica. Le sbarre così rivestite dovranno essere adatte per le relative correnti nominali con i limiti di sovratemperatura ammessi dalle Norme e a resistere termicamente alle correnti di breve durata previste. I supporti isolanti delle sbarre, dei sezionatori, dei fusibili, dei contatti fissi degli apparecchi estraibili dovranno essere in araldite od in resina epossidica di analoghe caratteristiche isolanti. Le sbarre, unitamente ai relativi supporti isolanti di cui sopra, dovranno resistere agli sforzi meccanici derivanti dai valori massimi iniziali delle correnti di breve durata previste. Non saranno ammessi diaframmi con

materiali isolanti per conseguire il livello di isolamento prescritto; il loro uso sarà consentito per la compartimentazione delle valvole fusibili in modo da ostacolare l'innescò dell'arco tra le fasi nel caso di una loro esplosione. Tutti i materiali isolanti impiegati dovranno avere e mantenere nel tempo elevate caratteristiche dielettriche e meccaniche; in particolare avranno un'ottima resistenza alle scariche superficiali e non propagheranno la fiamma. L'impiego di cavi unipolari, anche di media tensione, per derivare dalle sbarre i TV od apparecchi interni al quadro, non sarà consentito.

- **Circuiti di terra**

Tutte le parti metalliche, i sezionatori di terra ed i secondari dei trasformatori di misura dovranno essere allacciati mediante conduttori ad una sbarra colletttrice di rame disposta lungo tutto il quadro. Tale sbarra dovrà essere allacciata al sistema di terra generale dell'impianto. Essa dovrà essere dimensionata secondo quanto prescritto dall'art. 20 delle Norme CEI 17-6. Tutti i conduttori di terra dovranno avere guaina giallo-verde e dovranno essere dimensionati per la corrente di breve durata ammissibile prevista per il quadro senza che si generino sollecitazioni termiche tali da deteriorare gli isolanti e la conformazione stessa dei conduttori e che possano resistere agli sforzi elettromeccanici senza subire deformazioni permanenti o manifestare rotture. Per le portelle incernierate e le serrande, l'interconnessione con la carpenteria, o direttamente con la barra di terra, dovrà essere realizzata mediante conduttori flessibili di sezione minima pari a 16 mmq. Per la messa a terra degli apparecchi estraibili dovranno essere previsti appositi contatti a tulipano con pinze di tenuta in modo che, nelle operazioni di estrazione ed inserzione, siano i primi a stabilire il contatto e gli ultimi ad interromperlo. La barra di terra del quadro di media tensione dovrà essere provvista di opportuni attacchi per il collegamento intermedio di tutti i moduli e di attacchi di estremità per il collegamento alla barra generale di cabina elettrica.

- **Circuiti ausiliari**

All'interno di ciascuna cella ausiliari di b.t., dovrà essere prevista una morsettiera terminale alla quale faranno capo i circuiti di misura e di protezione (secondari dei TA e dei TV) ed i circuiti di comando e segnalazione relativi alle apparecchiature installate nello scomparto. All'interno della cella strumenti dello scomparto protezione trasformatore dovrà essere installata la centralina di rilevamento della temperatura delle colonne del trasformatore. La morsettiera dovrà essere costituita da morsetti componibili in melamina e dovrà avere una numerazione progressiva. I singoli morsetti dovranno essere con fissaggio a vite del tipo antivibrante, adatti a ricevere conduttori delle seguenti sezioni:

- a) Fino a 6 mmq, per i circuiti amperometrici, voltmetrici, delle alimentazioni e termocoppie
- b) Fino a 10 mmq per i circuiti dei resistori anticondensa e per le alimentazioni in classe 0

I morsetti dei circuiti voltmetrici dovranno essere del tipo sezionabile; quelli dei circuiti amperometrici del tipo sezionabile-cortocircuitabile.

I circuiti ausiliari dovranno essere eseguiti mediante cavi e/o conduttori aventi le seguenti caratteristiche:

- a) Avere conduttori flessibili in rame con sezione:
 - non inferiore a 1,5 mm² per i circuiti normali (comunque di sezione tale da non causare cadute di tensione superiori del 3% del valore nominale nei casi di solenoidi, resistenze, ecc.)
 - non inferiore a 2,5 mm² per i circuiti di misura voltmetrici ed amperometrici

- non avere sezione inferiore a 4 mm² per l'alimentazione delle resistenze anticondensa
- b) Avere un isolamento adatto per le seguenti tensioni di esercizio:
- U₀/U 0,6/1 kV per i cavi con guaina
 - U₀/U 0,45/0,75 kV per cavi senza guaina
- c) Non essere propaganti l'incendio secondo le Norme CEI 20-22/2, 20-35, 20-36.

Negli eventuali attraversamenti delle lamiere metalliche di divisione i cavi e/o i conduttori dovranno avere il rivestimento isolante non direttamente a contatto con la lamiera, ed essere opportunamente protetti con materiali non metallici resistenti all'invecchiamento e non propaganti la fiamma. Le canalette in plastica contenenti i vari conduttori di cablaggio interno agli scomparti dovranno essere di materiale autoestinguento e non dovranno essere occupate per più del 70% della loro sezione. In corrispondenza dei terminali, che dovranno essere del tipo a pressione preisolati, i conduttori saranno corredati di contrassegni la cui siglatura dovrà corrispondere a quella riportata sugli schemi elettrici approvati dalla Direzione Lavori. I conduttori dei collegamenti agli apparecchi montati su portelle dovranno essere raggruppati in fasci flessibili disposti, ancorati e protetti in modo tale da escludere deterioramento meccanico e sollecitazioni sui morsetti durante il movimento delle ante. Tutti i circuiti in arrivo e partenza dovranno far capo a morsettiere terminali ubicate in posizione facilmente accessibile e da concordare con la Committente; a queste morsettiere dovranno inoltre essere connessi tutti i contatti di relè, strumenti, apparecchi, anche se non utilizzati, eccezione fatta per quelli che sono collegati ad apparecchi contenuti nello stesso quadro.

Tutte le indicazioni di stato e i comandi di ogni apparecchiatura del circuito di potenza dovranno essere riportati in morsettiera per poter essere telecomandati dal posto operatore del sub-centro.

- **Interruttori**

Gli interruttori dovranno essere del tipo ad isolamento in SF₆ o con camere di interruzione sottovuoto di primario Costruttore. Dovranno essere muniti di comando motorizzato di chiusura ed apertura, nonché di segnalazioni di dette posizioni visibili dall'esterno a cella chiusa. Gli interruttori dovranno essere inoltre predisposti per il comando elettrico a distanza di chiusura ed apertura. Per i contatti di fine corsa, relativi alle posizioni assunte dall'interruttore, dovranno essere disponibili e riportati in morsettiera n. 5 contatti ausiliari in apertura e n. 5 in chiusura liberi da tensione. I circuiti di bassa tensione dell'interruttore dovranno far capo ad un apposito connettore ad innesto. Per la sicurezza di esercizio dovranno essere previsti i seguenti blocchi e dispositivi sull'interruttore:

- a) blocco meccanico che impedisce l'inserzione e la disinserzione dell'interruttore quando lo stesso è in posizione di chiuso
- b) blocco meccanico che non permette la chiusura manuale od elettrica dell'interruttore nelle posizioni intermedie fra inserito e sezionato
- c) blocco meccanico che impedisce l'inserzione dell'interruttore quando è chiuso il relativo sezionatore di terra
- d) blocco meccanico che non permette la chiusura manuale od elettrica dell'interruttore se non è inserito il connettore dei circuiti ausiliari ed impedisce l'estrazione dello stesso ad interruttore chiuso

- e) blocco a chiave che non permette la chiusura manuale od elettrica dell'interruttore se non è inserita la chiave; la stessa rimane bloccata ad interruttore chiuso
- f) blocco meccanico che impedisce l'estrazione dell'interruttore se l'otturatore metallico, azionato meccanicamente, non è bloccato nella posizione di chiuso ad interruttore asportato; sarà escluso l'accesso involontario alle parti in tensione.

- **Sezionatori di terra**

I sezionatori di terra dovranno essere equipaggiati di comando manuale locale. Il comando dovrà essere corredato di blocco, di contatti ausiliari di fine corsa liberi da tensione, dei quali, 2 NA + 2 NC a disposizione e riportati in morsettiera. I sezionatori di terra saranno inoltre provvisti di:

- a) blocco meccanico che impedisce la chiusura del sezionatore quando l'interruttore è in posizione di inserito, o viceversa, impedisce lo spostamento dell'interruttore verso la posizione di inserito quando il sezionatore è in posizione di chiuso
- b) blocco a chiave, con chiave asportabile che permette di bloccare il sezionatore in posizione di "aperto o "chiuso"
- c) blocco meccanico, che impedisce l'apertura della portella della cella cavi di potenza quando il sezionatore è nella posizione di "aperto"
- d) blocco meccanico, che impedisce di aprire il sezionatore quando la portella della cella cavi di potenza è aperta.

- **Trasformatori di misura**

I riduttori di corrente dovranno essere tali da resistere termicamente alle correnti di breve durata e meccanicamente ai loro valori massimi iniziali. I trasformatori di misura dovranno essere scelti in modo da garantire il corretto funzionamento degli apparecchi di protezione e misura da essi alimentati. I trasformatori di corrente destinati al rilievo delle correnti sulle linee in arrivo ed in partenza dal quadro dovranno essere sistemati in posizione fissa nella cella linea. Qualunque sia la funzione dei TA installati in posizione fissa, una volta aperto il pannello di chiusura della cella nella quale sono sistemati, si dovrà poter accedere facilmente ai loro morsetti per operare serraggi, cambi di rapporto (ove previsti), ecc. senza necessità di rimuovere i TA o qualsiasi altro apparecchio o collegamento esistente nella cella. In particolare, i trasformatori di misura dovranno essere conformi alle Norme CEI 38.3 per quanto riguarda le prove di misura delle scariche parziali. Per evitare sovratensioni che si potrebbero generare in seguito al verificarsi di fenomeni di ferrorisonanza, i TV dovranno essere costruiti con un avvolgimento secondario a triangolo aperto con un'adeguata resistenza. La resistenza dovrà essere compresa nella fornitura del quadro.

- **Segnalatori e blocchi di presenza tensione**

Ogni sezione di quadro dovrà essere munita di un dispositivo di segnalazione presenza tensione sulla linea in arrivo od in partenza. Il dispositivo dovrà essere applicato a ciascuna fase, dovrà essere costituito da lampade a bassa tensione alimentate da partitori capacitivi. La segnalazione dovrà essere efficace anche quando la tensione di linea scenderà al 70% della tensione nominale. Le lampade dovranno essere poste ben visibili accanto al comando manuale del sezionatore di terra

e dovranno essere intercambiabili dall'esterno del quadro.

- **Relè ed interruttori ausiliari**

Ciascun apparecchio dovrà essere munito di custodia di protezione. Tutti i tipi di relè dovranno essere in esecuzione estraibile. Gli interruttori di protezione dei circuiti ausiliari dovranno essere adatti ad interrompere le massime correnti di guasto a cui possono essere assoggettati. Gli interruttori destinati ai circuiti di comando degli apparecchi a media tensione dovranno essere dotati di contatti ausiliari per segnalazione d'interruttore aperto.

- **Resistenze anticondensa**

Ogni scomparto di quadro dovrà essere munito di una o più resistenze anticondensa complete di un termostato che le inserisca o disinserisca automaticamente.

- **Illuminazione interna della cella**

Le celle dovranno essere munite di armature per illuminazione, complete di lampade a incandescenza che si accenderanno dall'esterno a mezzo di interruttori predisposti nell'involucro esterno del quadro. La sostituzione delle lampade contenute nelle celle potrà essere eseguita senza rimuovere parti di altri circuiti.

- **Particolarità costruttive**

- a) La struttura del quadro dovrà essere costruita in modo che per l'intervento o la manovra (in particolare estrazione ed inserzione) degli apparecchi d'interruzione non si verifichino vibrazioni capaci di provocare scatti intempestivi delle apparecchiature elettromeccaniche di protezione ed ausiliarie o comunque compromettere il corretto funzionamento dei diversi "organi"; inoltre dovrà essere predisposta l'ampliabilità in opera del quadro da entrambe le estremità senza necessità di operare forature, tagli o saldature neppure sulle barre Collettrici.
- b) Tutte le celle impiegate dovranno essere d'acciaio al carbonio lisce, piane, lucide e decapate.
- c) Tutte le celle dovranno essere munite di portelle corredate di robuste cerniere e di un fermo che ne limiti e fissi l'apertura ad un'angolazione conveniente sia per la rimozione degli apparecchi contenuti nella cella sia per evitare l'urto contro i pannelli adiacenti. I pannelli asportabili facenti parte, dell'involucro "cella sbarre principali" dovranno essere invece muniti di viteria di fissaggio imperdibile.
- d) L'accessibilità per controlli o per la sostituzione di qualsiasi apparecchio o componente dovrà essere garantita nelle condizioni di massima sicurezza.
- e) Gli oblò d'ispezione dovranno essere corredate di materiale trasparente autoestinguente tale da resistere al calore ed assicurare un'adeguata resistenza meccanica.
- f) La bulloneria impiegata nella costruzione del quadro dovrà essere di materiale non soggetto ad ossidazione.
- g) La verniciatura dovrà essere di tipo elettrostatico a polvere

- **Documentazione tecnica**

A corredo dei quadri sarà fornita la seguente documentazione:

- b) disegno di ingombro del quadro
- c) disegno della sezione tipica
- d) cataloghi illustrativi
- e) schemi elettrici unifilari e multifilari
- f) schemi elettrici funzionali
- g) schemi dei circuiti ausiliari
- h) schemi delle morsettiere di interno
- i) manualistica di manutenzione ordinaria e straordinaria
- j) elenco apparecchiature di dotazione
- k) certificati ufficiali attestanti la rispondenza dei quadri alle Norme CEI 17-6 e/o IEC 298 e DPR 547 nonché delle prove di tipo eseguite
- l) documentazione delle prove di tipo

- **Parti di ricambio ed attrezzi speciali**

Per ogni quadro saranno fornite le seguenti parti di ricambio ed attrezzature:

- a) n. 3 portalampade completi di coppetta colorata per ogni tipo
- b) n. 3 divisori capacitivi e n. 1 gruppo motore di manovra interruttore
- c) n. 1 tema di fusibili per protezione lato primario TV
- d) tutti gli attrezzi speciali necessari per l'operazione di inserzione-estrazione apparecchiature e di manovra delle stesse.

- **Collaudi e prove**

Tutte le prove di collaudo previste dalle norme CEI dovranno essere eseguite in contraddittorio con i rappresentanti della Direzione Lavori e si svolgeranno presso le officine del Costruttore. I costi per l'effettuazione delle prove di accettazione saranno a carico dell'Appaltatore. Per essere sottoposto a prove il quadro dovrà essere completamente montato, collegato internamente e messo a punto presso l'Officina del Costruttore. Elenco delle prove:

- a) Prove di accettazione
 - prova di tensione a frequenza industriale dei circuiti di potenza
 - prove di tensione dei circuiti ausiliari
 - prova di funzionamento meccanico
 - prova dei dispositivi ausiliari

- verifica dei cablaggi

b) Prove di tipo

L'Appaltatore dovrà produrre copia dei certificati relativi alle prove di tipo realizzate da un laboratorio indipendente attestanti la rispondenza del quadro e delle apparecchiature alle Norme sopracitate. In particolare, è richiesta dimostrazione delle seguenti prove:

- prova di corrente di breve durata nei circuiti principali per un valore non inferiore a 20 KA e nel circuito di protezione;
- prova di riscaldamento per un valore di corrente nominale non inferiore a 1250A.