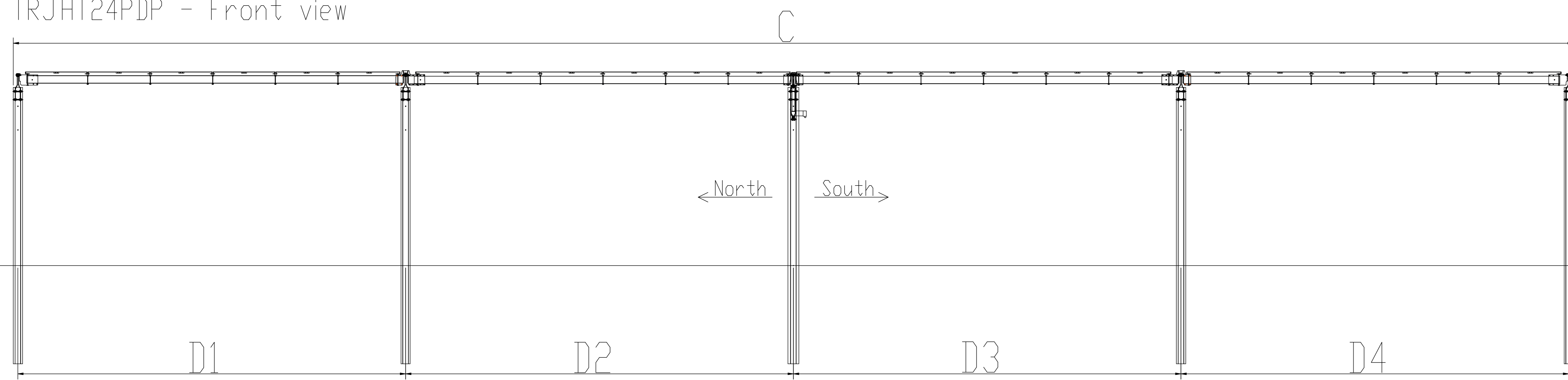
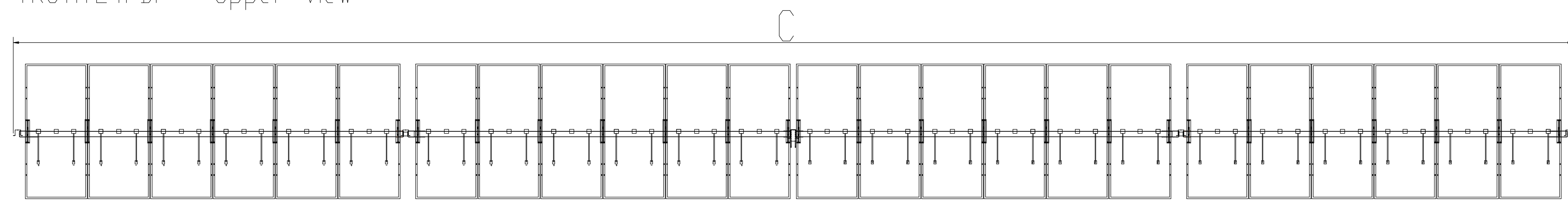


TRJHT24PDP - Front view

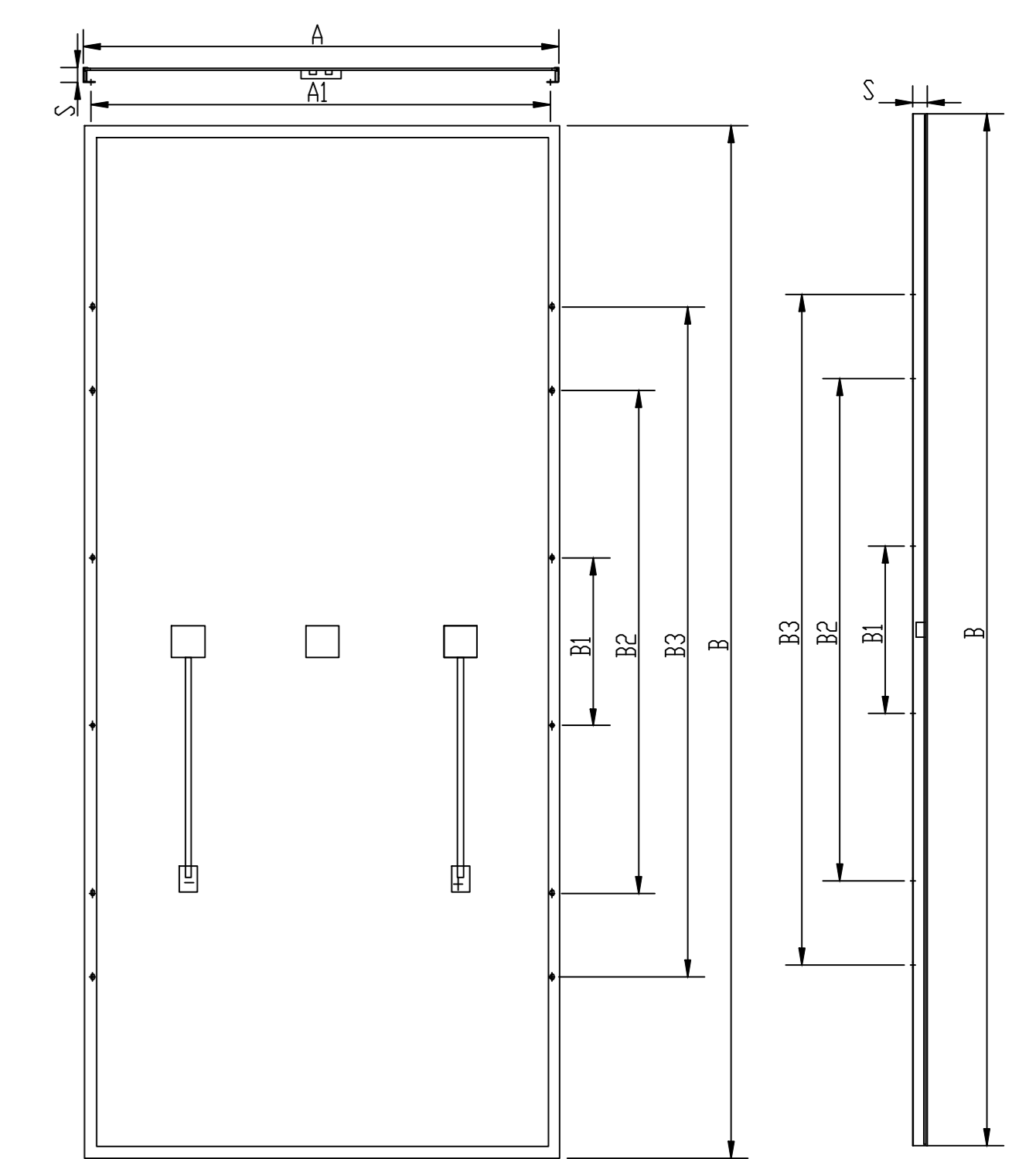


TRJHT24PDP - Upper view



PHOTOVOLTAIC MODULE

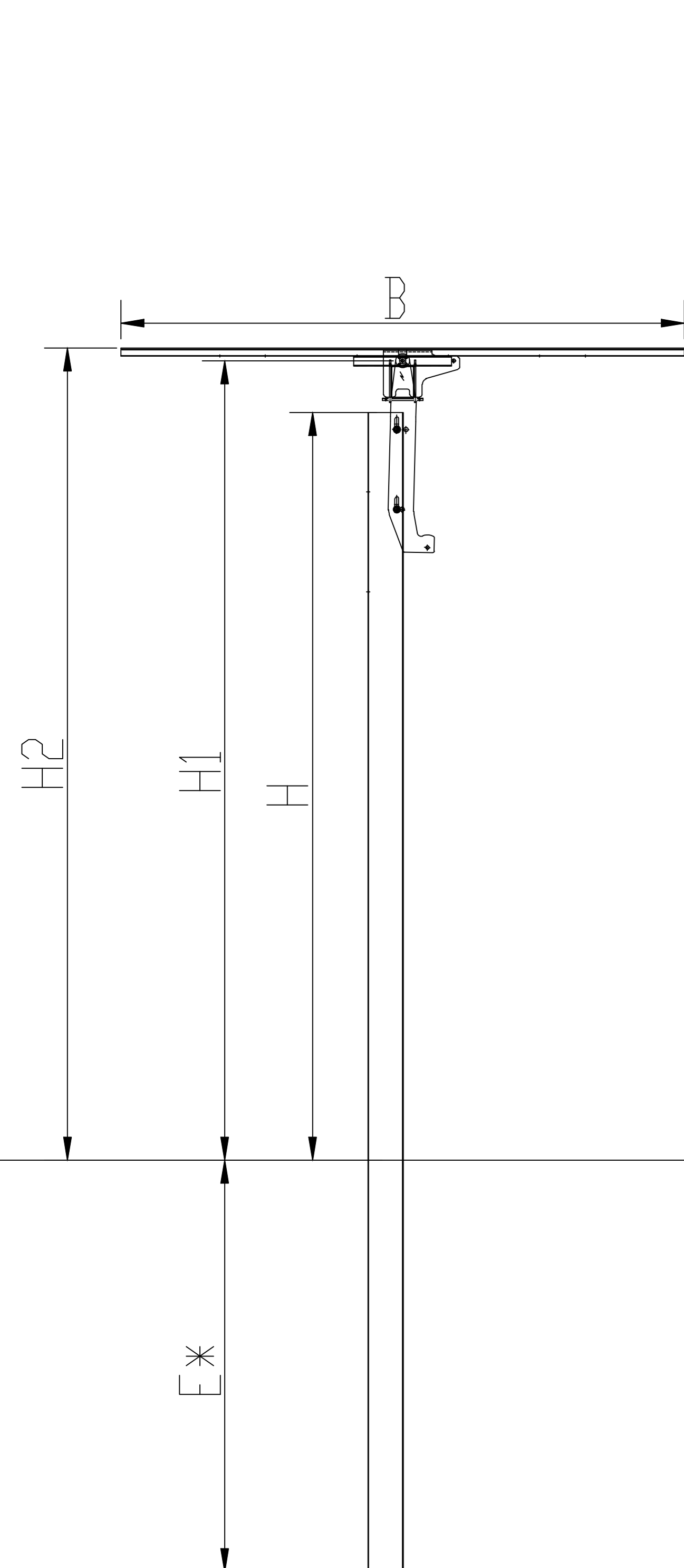
JAM78D40-620/GB



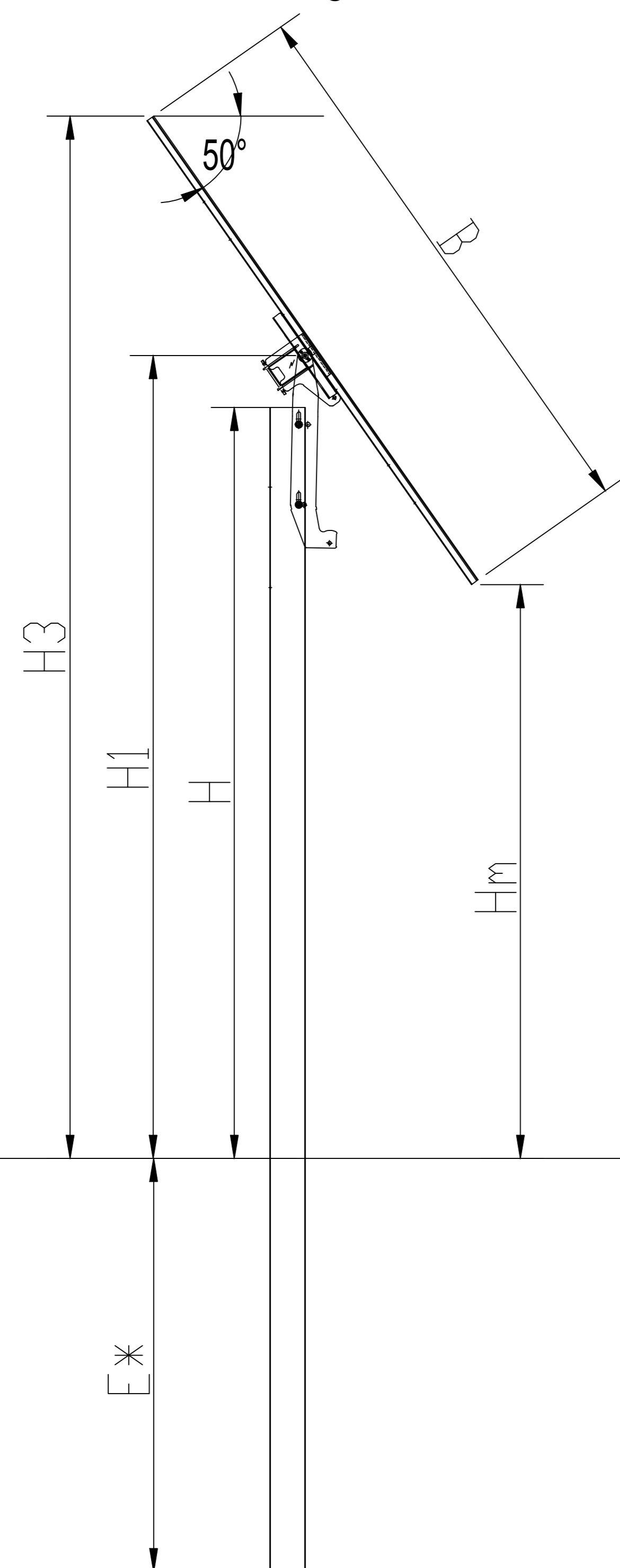
DIMENSIONS [mm]

A	1134	E*	1800
A1	1096	H	3405
A2	-	H1	3630
B	2465	H2	3685
B1	400	H3	4610
B2	1200	Hm	2700
B3	1600	C1	-
S	35	D1	7120
C	28645	D2	7120
D3	7120	D4	7120
-	-	-	-
-	-	-	-

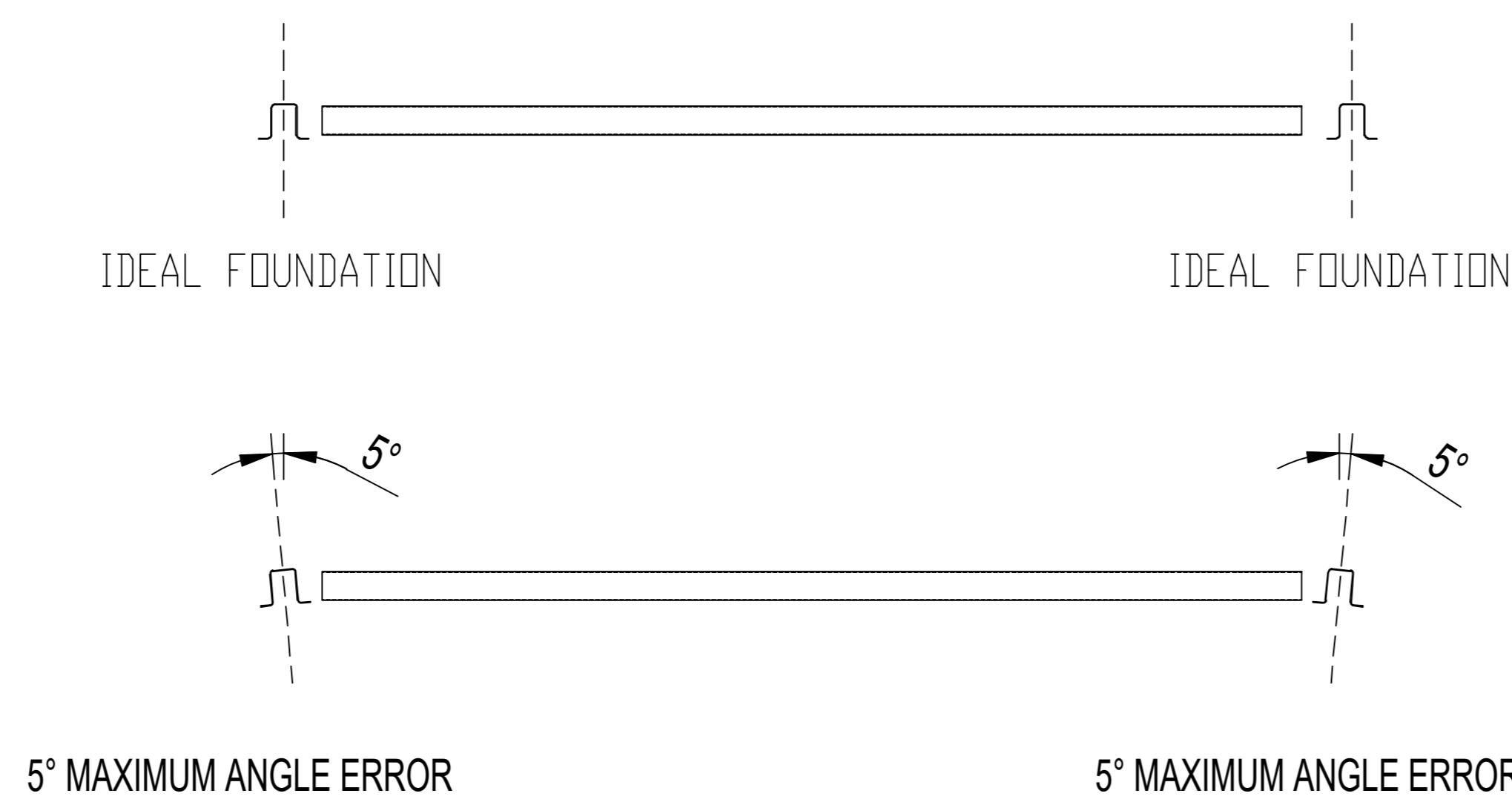
TRJHT24PDP
SIDE VIEW @ 0°



TRJHT24PDP
SIDE VIEW @ 50°



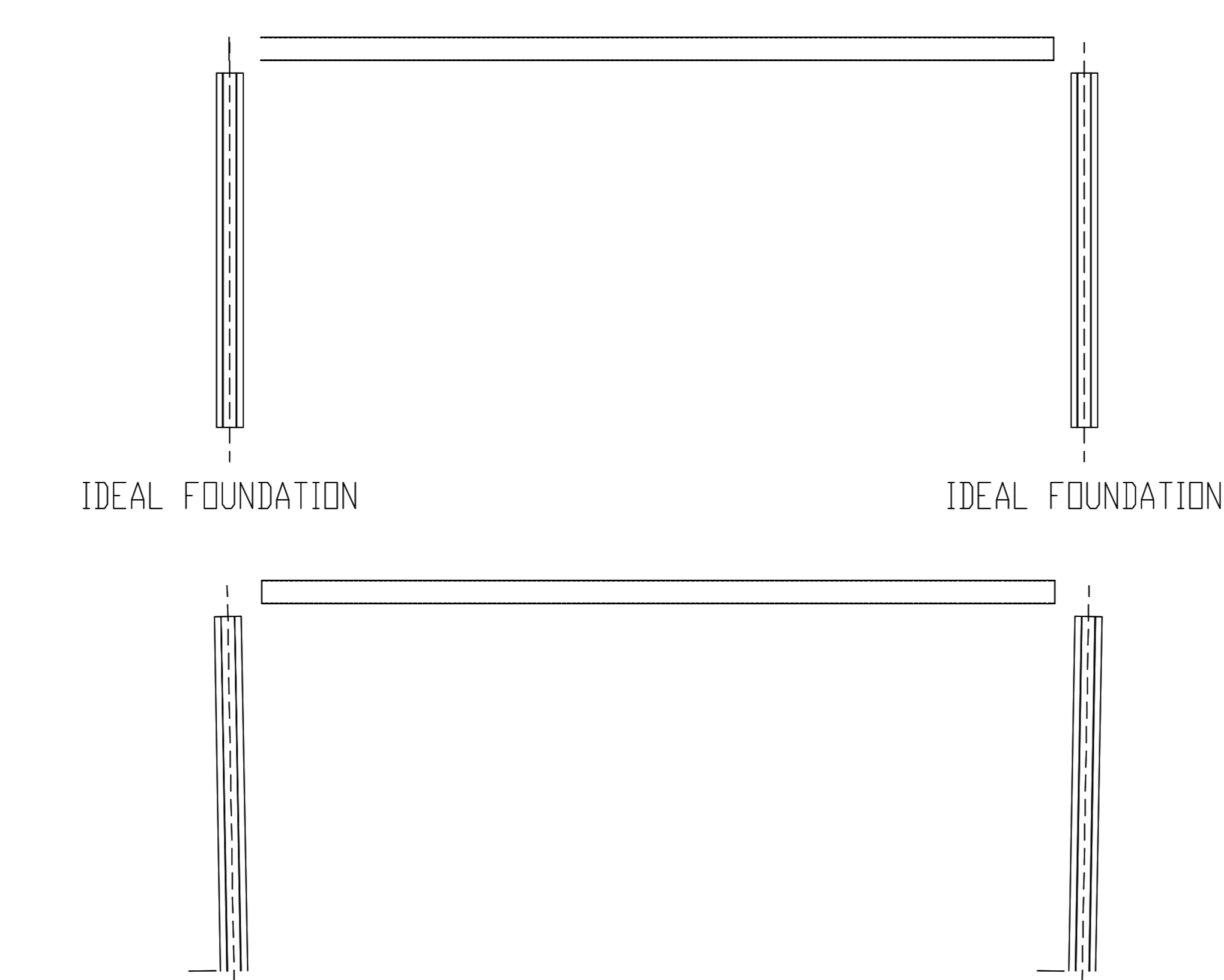
FOUNDATION TWIST ERROR RECOVERY



5° MAXIMUM ANGLE ERROR

5° MAXIMUM ANGLE ERROR

FOUNDATION ANGLE ERROR RECOVERY

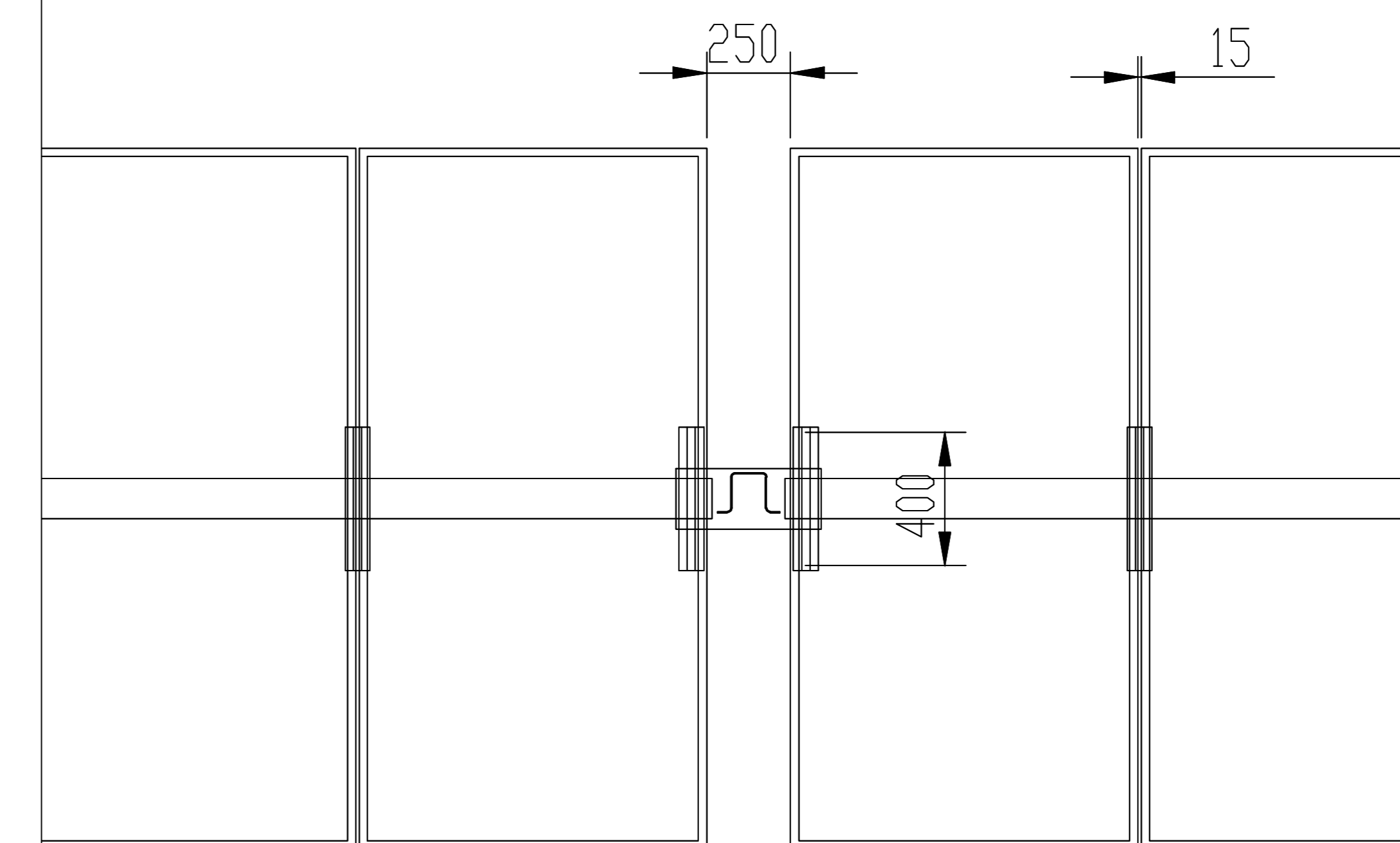


0.75° MAXIMUM ANGLE ERROR

0.75° MAXIMUM ANGLE ERROR

PRELIMINARY PV TABLES SPACING

NOMINAL VALUE - IT MAY CHANGE DUE TO MOUNTING TOLERANCES



MATERIAL CHARACTERISTICS

STEEL

Structural steel - at least S235JR - yield strength and thickness in accordance with structural calculations.

SPHERICAL BEARINGS

Bronze / Stainless steel.

SPACERS

Stainless Steel.

SCREWS, NUTS and WASHERS

All steel parts will be galvanized according to environmental conditions of the site to have a design lifetime of 25 years

GALVANIZATION

Basic Option

All steel parts will be galvanized according to environmental conditions of the site to have a design lifetime of 25 years



PROGETTO DEFINITIVO

DETTAGLI COSTRUTTIVI TRACKER

Tipo Elaborato	Codice Elaborato	Data	Scala CAD	Formato	Foglio / di	Scala
TAV.	2202_T.P.14	20/02/2023	-	A0	1/1	-

PROPONENTE	SVILUPPO
AGRI BRUZIA Società Agricola A R.L. Corso Europa, 1 87021 - Belvedere Marittimo (CS)	SET SVILUPPO s.r.l. Corso Trieste, 10 00198 - Roma (RM)

PROGETTAZIONE	
Ing. Giacomo Greco GIACOMO GRECO Ingegnere Corte Assisiana	Ing. Marco Marsico MARCO MARSCO Ingegnere Corte Assisiana

Rev.	Data	Descrizione	Redatto	Verificato	Approvato
00	20/02/2023	Prima Emissione	Ing. M. Marsico	Ing. G. Greco	Ing. M. Marsico