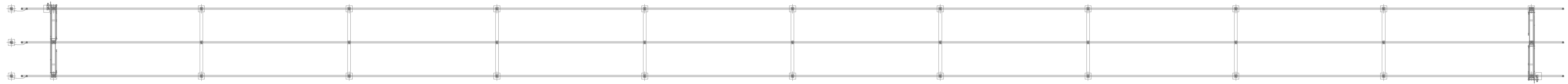
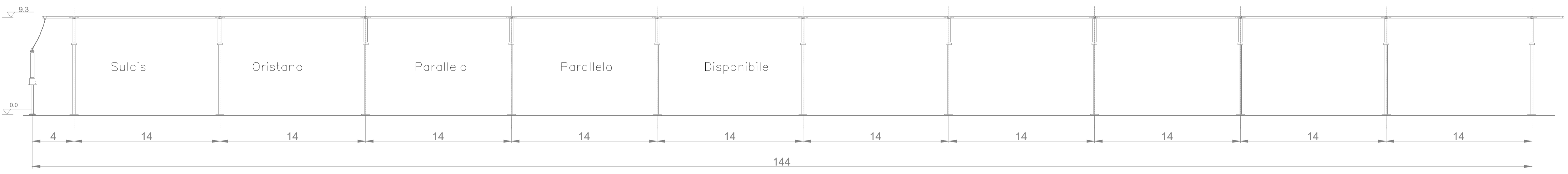


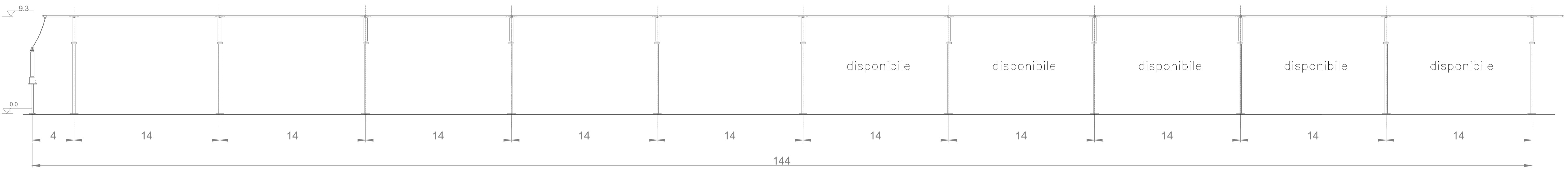
Sbarra A



Sbarra B





Sezione A-A



Sezione B-B



REV.	DATE	DESCRIPTION	PREPARED	CHECKED	APPROVED
0	Dic/2021	first issue	3E	3E	EGP
CONTRACTORS LOGO		PROJECT: Nuova SE RTN a 220kV di Gonnese e raccordi alla RTN			
		FILE NAME: GRE.EEC.D.24.IT.W.15012.16.013.00			
		CLASSIFICATION:	FORMAT: A1	SCALE: -	PLOT SCALE: 1:1
Engineering & Construction GRE VALIDATION		UTILIZATION SCOPE:	TITLE: Nuova SE - Sezione sbarre 220kV		
VALIDATED BY:	GRE CODE				
VERIFIED BY:	GROUP	FUNCTION	TYPE	ISSUER	COUNTRY
COLLABORATORS:	TEC.	PLANT	SYSTEM	PROGRESSIVE	REVISION
GRE EEC D 24 IT W 15012 16 013 00					

This document is property of Enel Green Power SpA. It is strictly forbidden to reproduce this document, in whole or in part, and to provide to others any related information without the previous written consent by Enel Green Power SpA.