

Design Team

Design	JACOBS ITALIA S.P.A.
Drawn	CLAUDIO CODECONE
Checked	FABIO VERSETTI
Approved	GIUSEPPE LACERENZA
Date	27/01/2023
Company Project No.	K781
M.I. Project No.	P.0724

Approvals

CUSTOMER	MICROSOFT	Date	
Microsoft Technical Engineer	GREG LYNCH	Date	
Microsoft Capital Engineer	CATALD OSELUJAN	Date	
Microsoft Electrical Engineer	ALAN KELLETT	Date	
Design Manager	VIKTORIA MARSHALL	Date	
Security Manager	MICHAEL O'DONNELL	Date	
C&A	SPAMENDEIRA NAELU LAODE MAYER	Date	

PROJECT MANAGEMENT

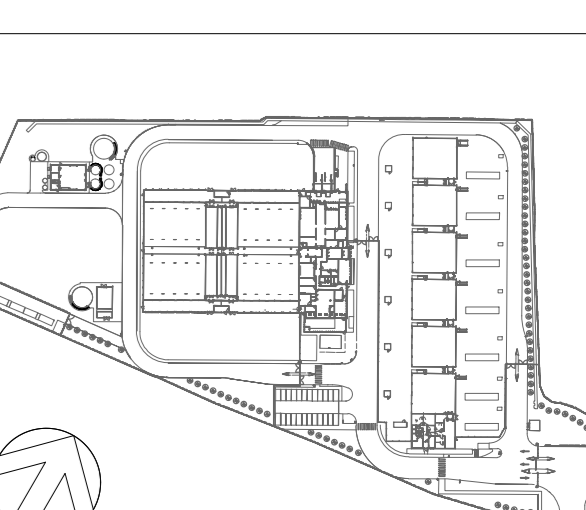
Project Manager	LEONARDO DI RENZO
Design Manager	GIUSEPPE LACERENZA
Development Manager	DARIO FRANCESCATI
Quality Control Reviewer	FABIO VERSETTI

Revisions

No.	Date	Description

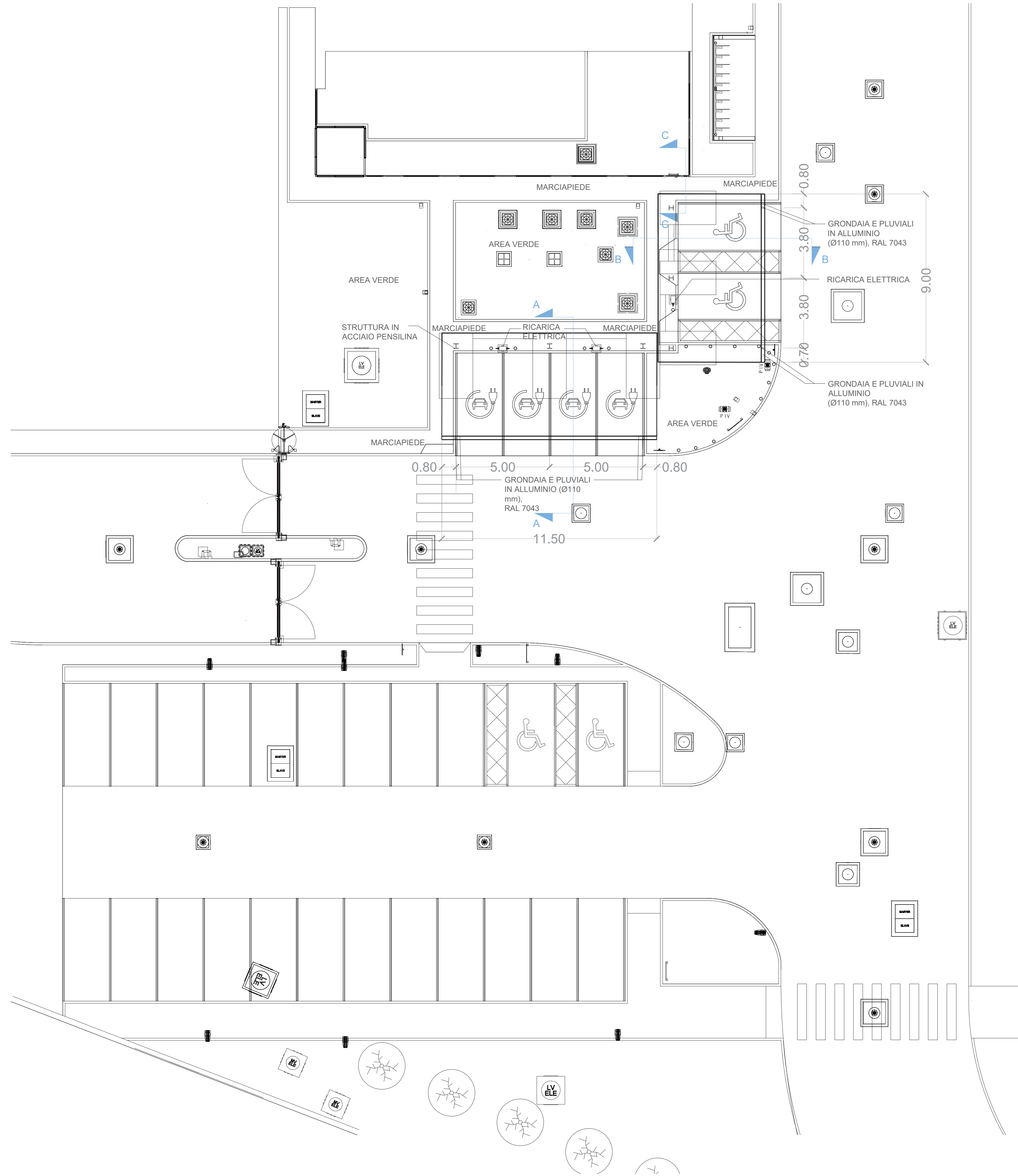
Registration

Key Plan

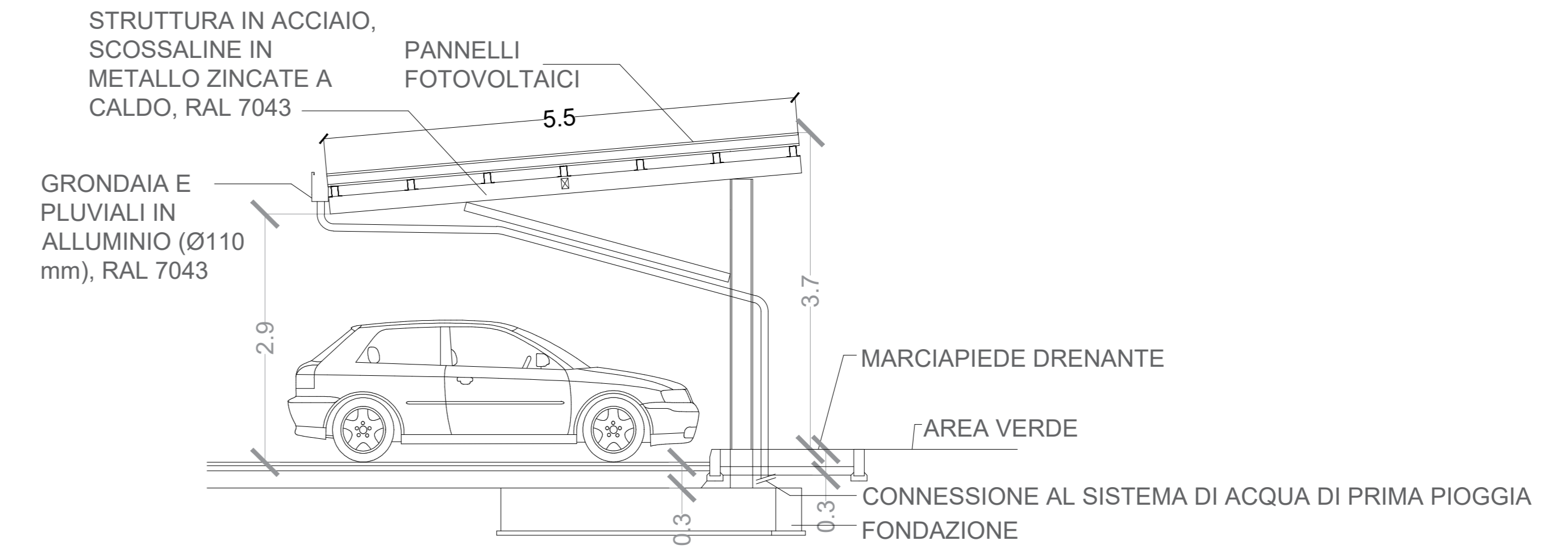


Bar Code

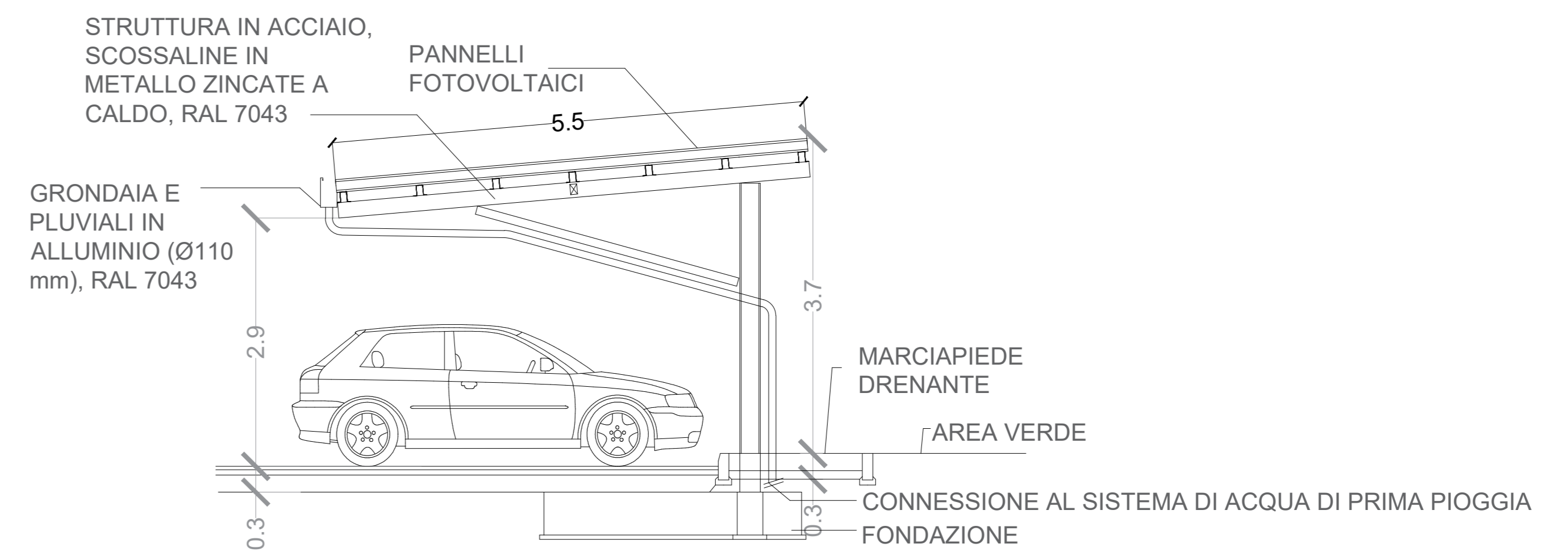
Sheet Title/Number



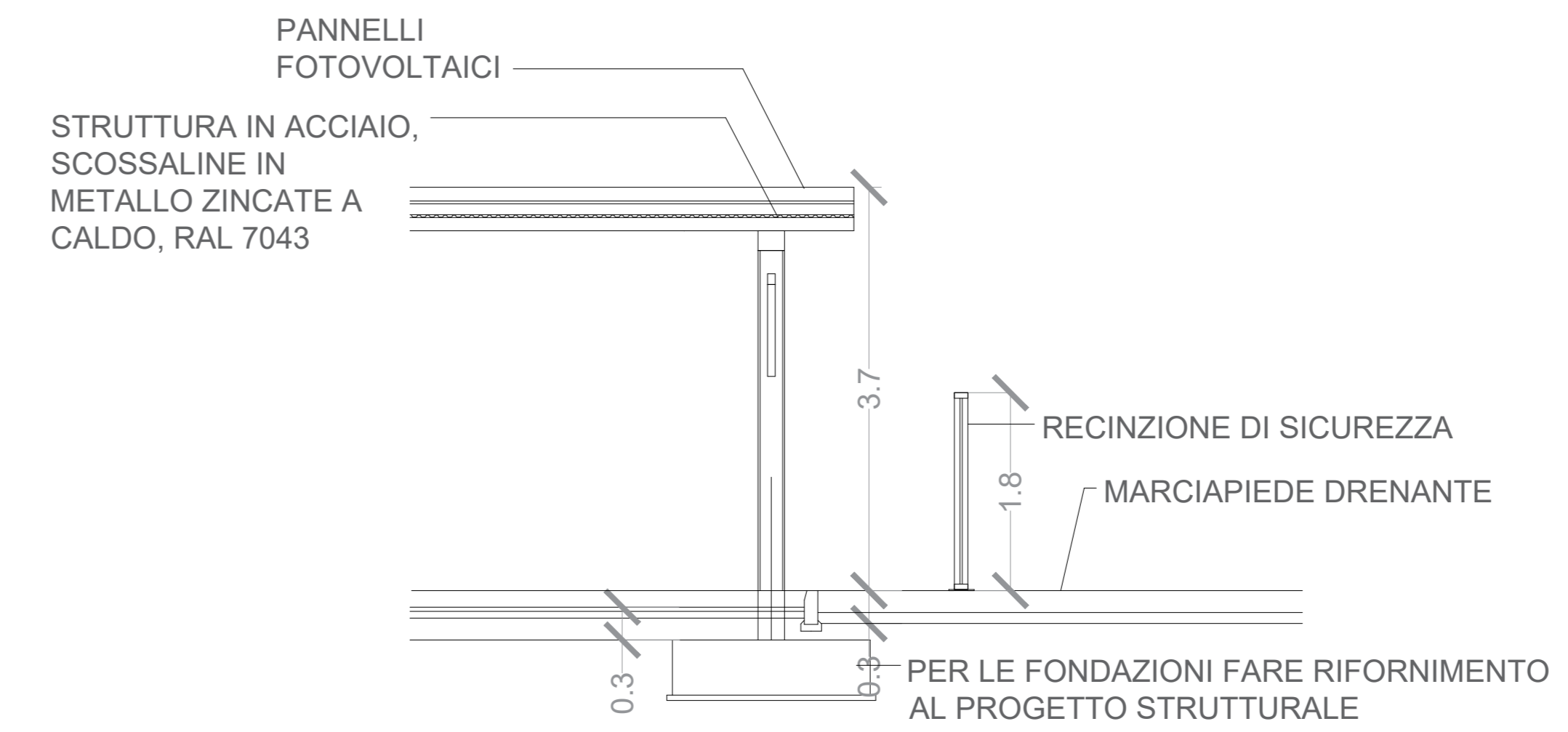
1 PLANIMETRIA GENERALE-STATO DI PROGETTO
 1:100



SEZIONE A-A



SEZIONE B-B



SEZIONE C-C

2 SEZIONI-STATO DI PROGETTO
 1:50