

PROGETTO PER LA REALIZZAZIONE DI UN IMPIANTO PER LA
PRODUZIONE DI ENERGIA MEDIANTE LO SFRUTTAMENTO DEL VENTO
NEL MARE ADRIATICO MERIDIONALE - BARIUM BAY
74 WTG – 1.110 MW

PROGETTO DEFINITIVO - SIA

Progettazione e SIA



Indagini ambientali e studi specialistici



Studio misure di mitigazione e compensazione



supervisione scientifica

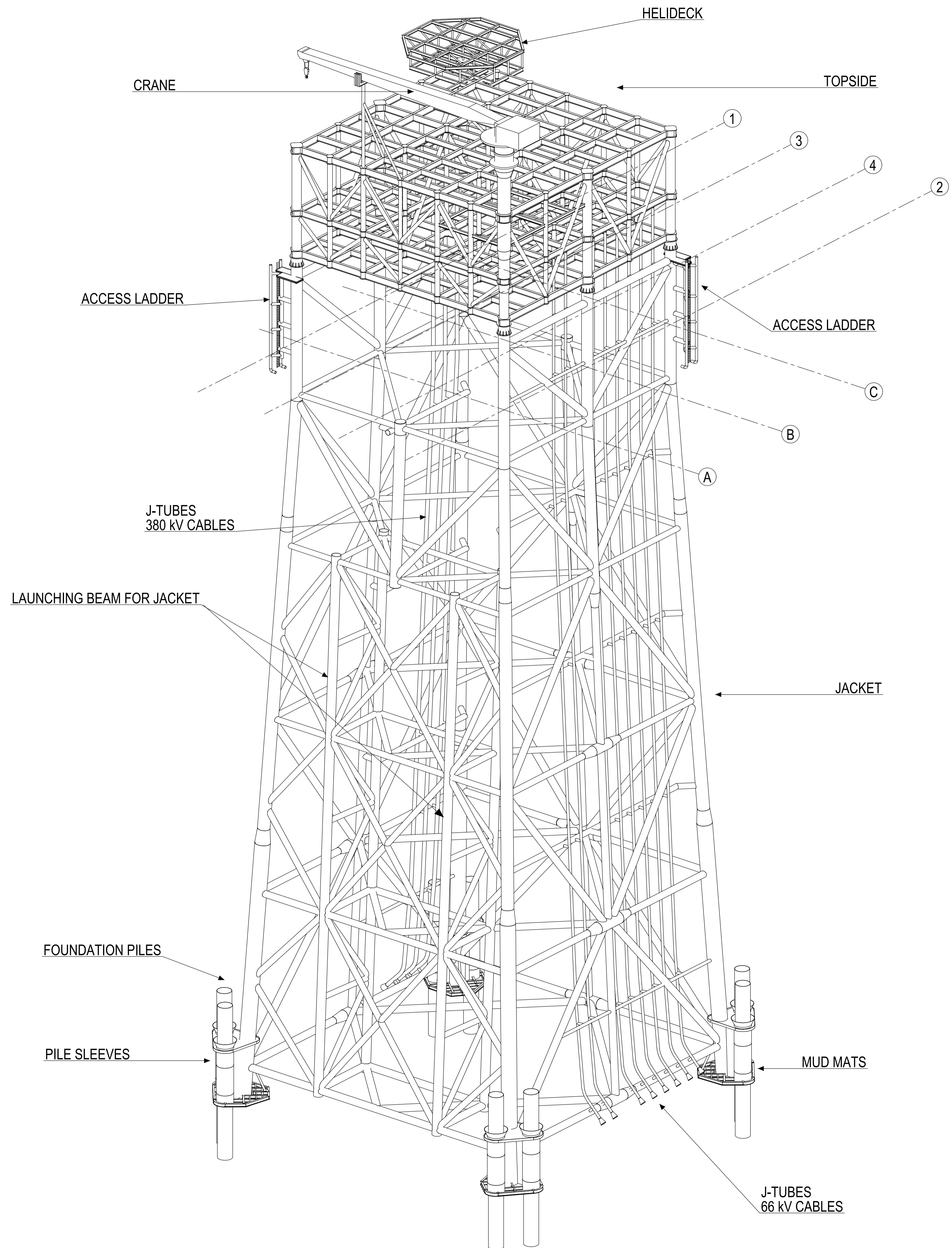


4. STAZIONE DI TRASFORMAZIONE OFFSHORE

T.4.2 Sottostazione Offshore - elaborati grafici strutture metalliche

REV.	DATA	DESCRIZIONE

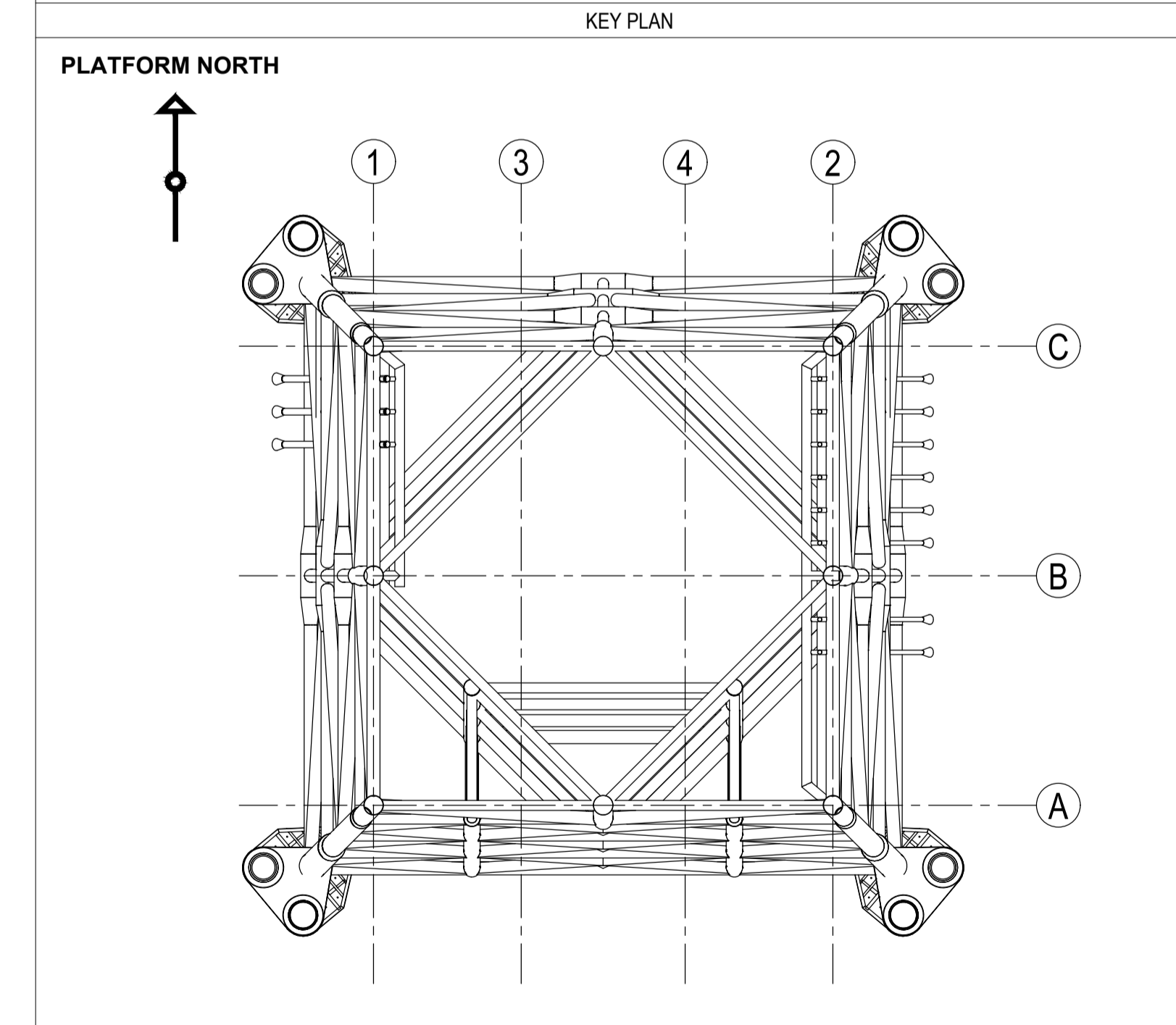




REFERENCE DOCUMENTS		
REF	DOC TAG	DESCRIPTION

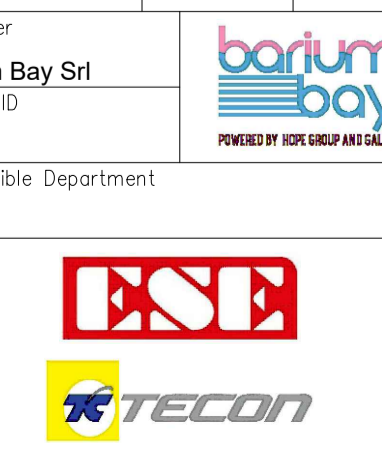
NOTES

1 - ALL DIMENSIONS ARE IN mm U.N.O.
 2 - ALL ELEVATION ARE IN m REFERRED TO L.A.T.



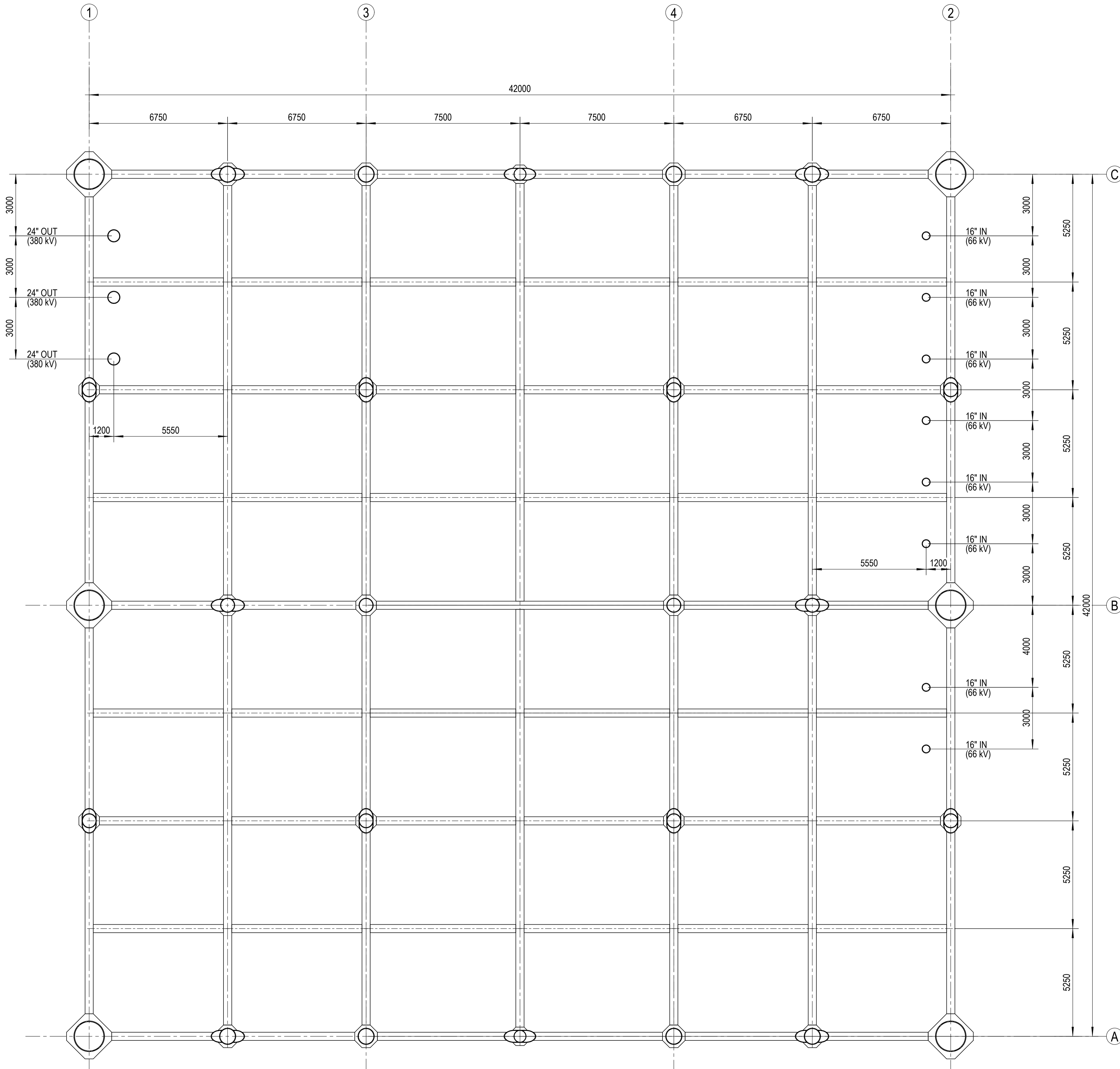
00	20.07.2023	FM	GP	MT	Firts Issue
Rev.	Date	Created by	Checked by	Approved by	Description
Customer	Barium Bay Srl			Project	Barium Bay Offshore Substations
Project ID	12085			Replacing	Based on
Responsible Department	-			Created by	Checked by
	-			Fabio Maroni	Giulio Pascolini
	-			Approved by	Mauro Tavola
	-			Title	Document ID
	-			SUBSTATION 1 ASSEMBLY - ISOMETRIC VIEW	
	-			12085-CDD-100	
	-			Rev.	Rel. Date
	-			00	20.07.2023
	-			Page	1/1

File name: 12085-CDD-100_00.dwg



Mod. UNI - AT/20

PLATFORM NORTH



LEVEL 1 - PLAN AT EL. +16.00 TOS

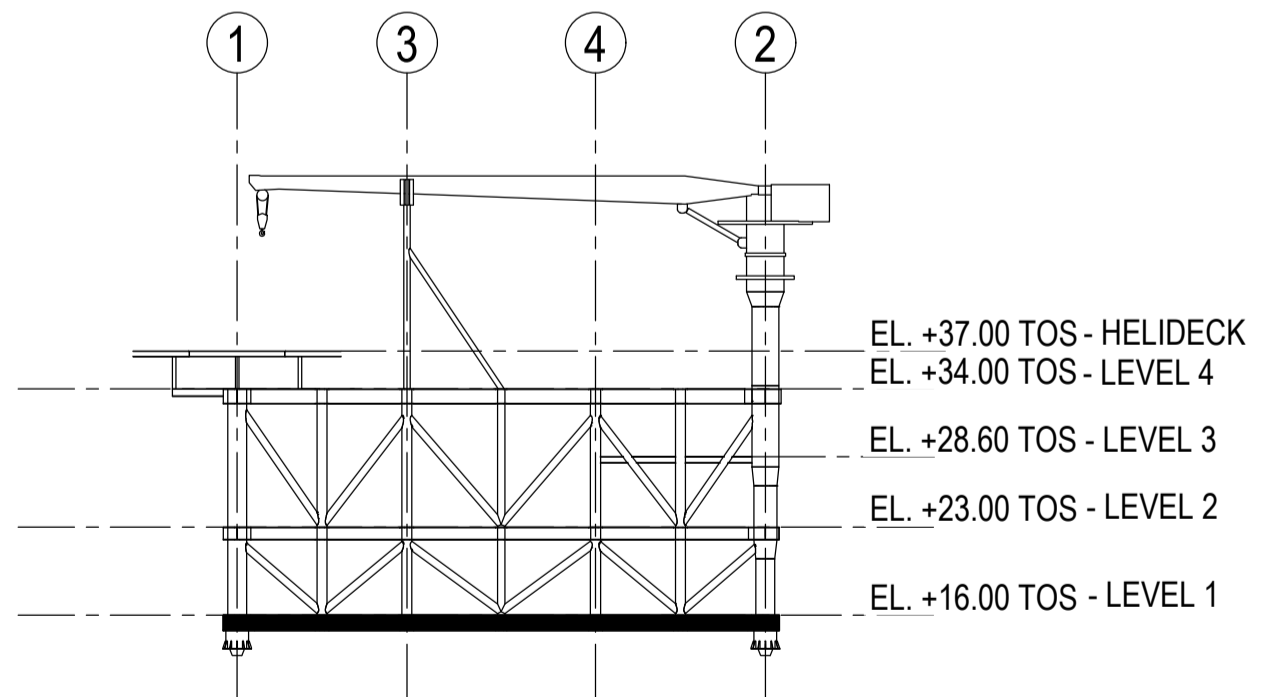
REFERENCE DOCUMENTS

REF	DOC TAG	DESCRIPTION
1	12085-CDD-100	SUBSTATION 1 - ASSEMBLY - ISOMETRIC VIEW

NOTES

- 1 - ALL DIMENSIONS ARE IN mm U.N.O.
- 2 - ALL ELEVATION ARE IN m REFERRED TO L.A.T.

KEY ELEVATION



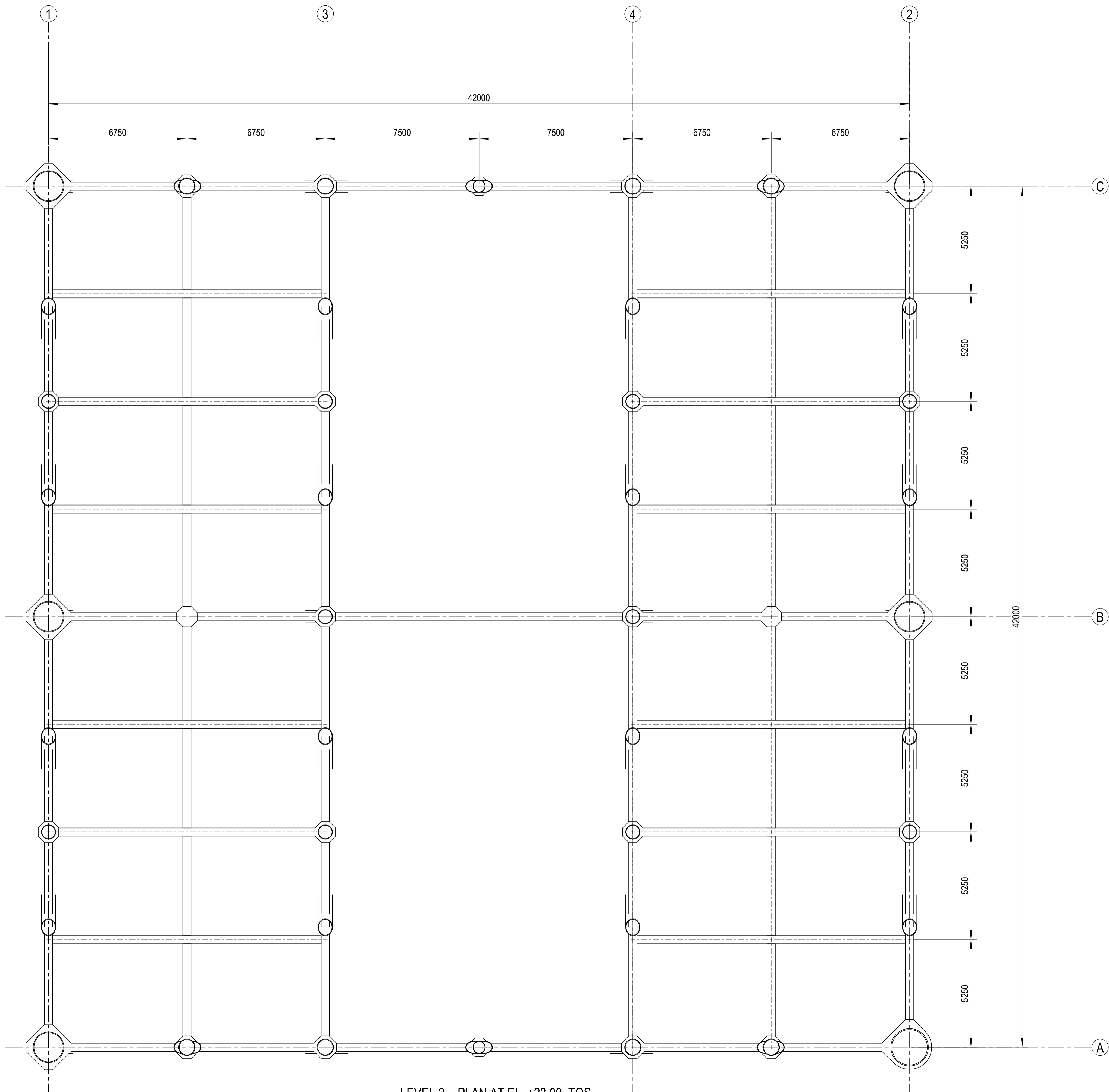
Rev.	Date	Created by	Checked by	Approved by	Description
00	20.07.2023	FM	GP	MT	Firts Issue
Customer		Project		Customer Document ID	
Barium Bay Srl		Barium Bay Offshore Substations		-	
Project ID		Replacing		Based on	
12085		-		-	
Responsible Department		Created by		Checked by	
-		Fabio Maroni		Giulio Pascolini	
Title		Document ID		Scale	
SUBSTATION 1 TOPSIDES - LEVEL 1		12085-CDD-101		1:100	
KKS-NO.: -		Rev.		Rel. Date	
		00		20.07.2023	
		Page		1/1	

File name 12085-CDD-101_00.dwg



Magn. UNI - AT/20

PLATFORM NORTH



LEVEL 2 - PLAN AT EL. +23.00 TOS

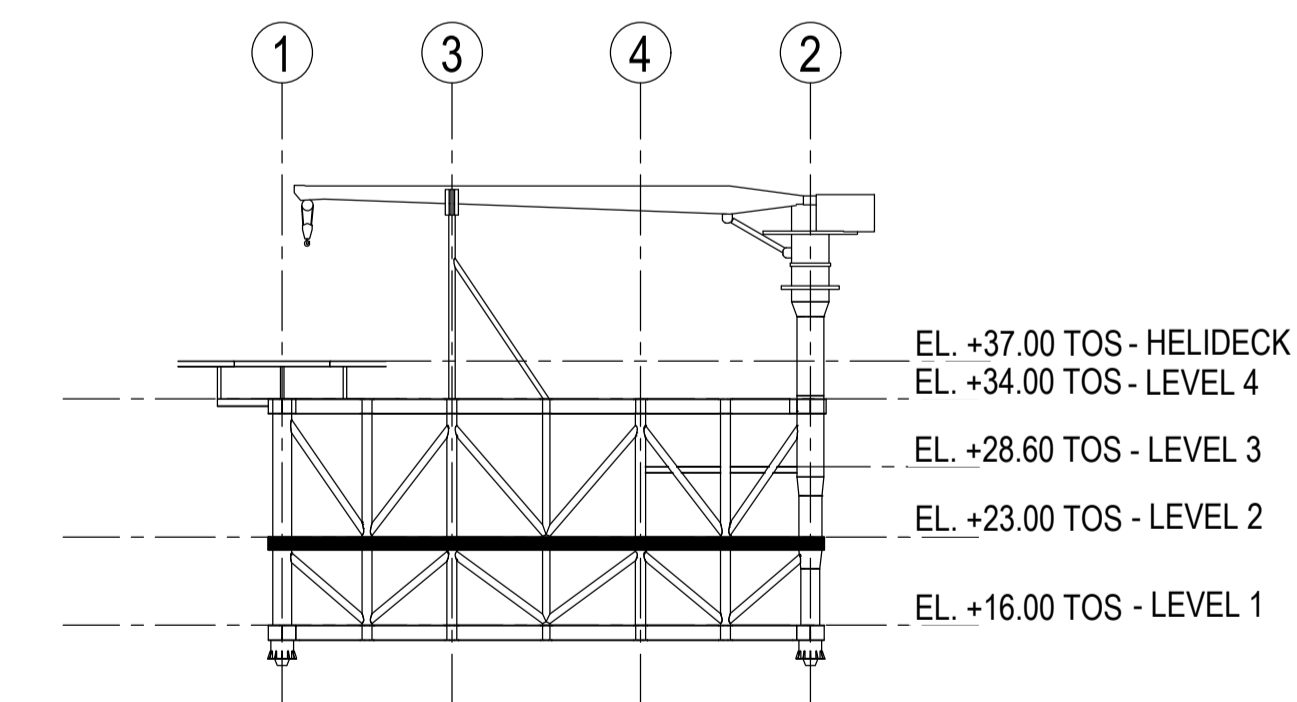
REFERENCE DOCUMENTS

REF	DOC TAG	DESCRIPTION
1	12085-CDD-100	SUBSTATION 1 - ASSEMBLY - ISOMETRIC VIEW

NOTES

- 1 - ALL DIMENSIONS ARE IN mm U.N.O.
- 2 - ALL ELEVATION ARE IN m REFERRED TO L.A.T.

KEY ELEVATION



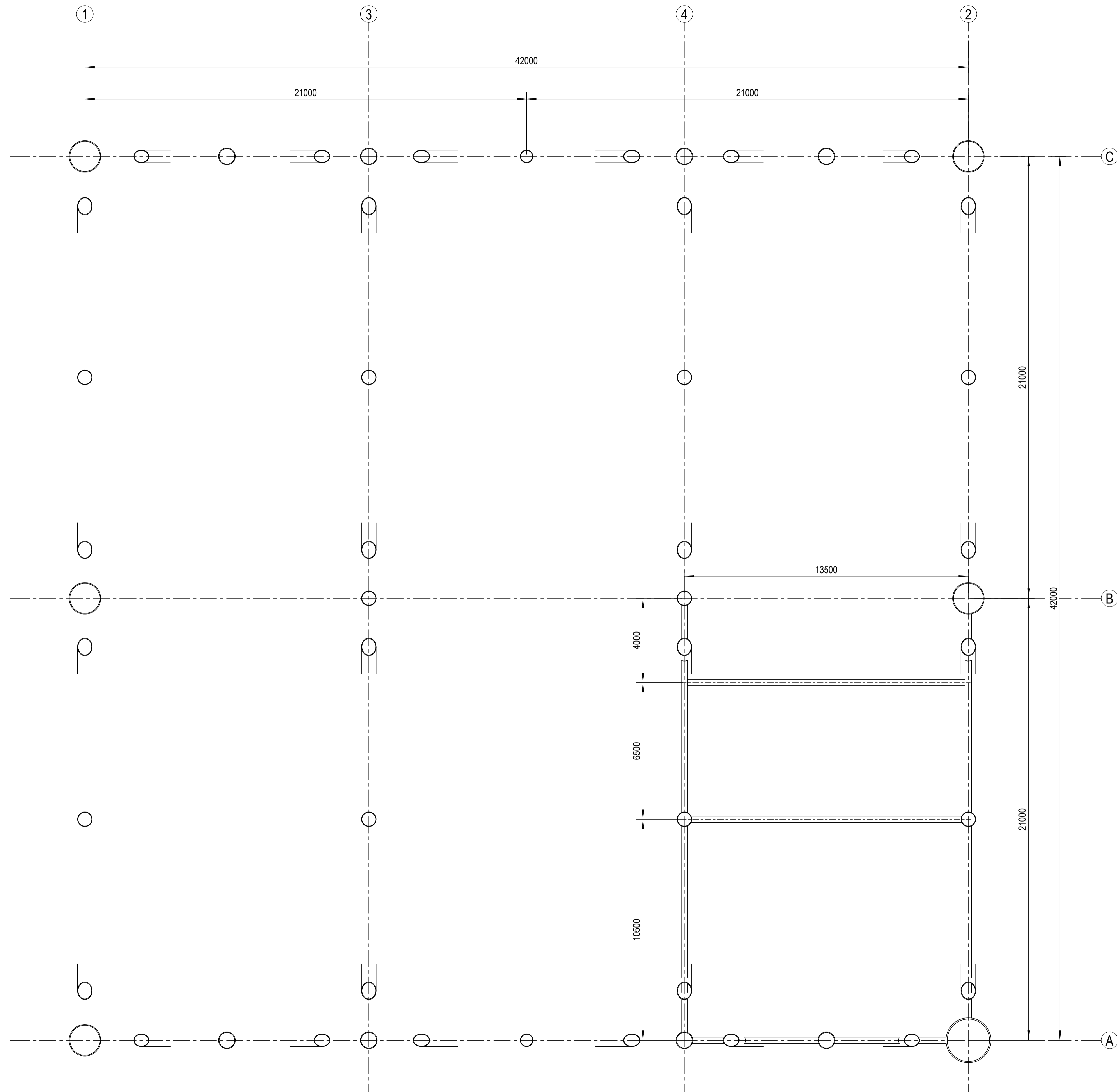
Rev.	Date	Created by	Checked by	Approved by	Description
00	20.07.2023	FM	GP	MT	Firts Issue
Customer		Project		Customer Document ID	
Barium Bay Srl		Barium Bay Offshore Substations		-	
Project ID		Replacing		Based on	
12085		-		-	
Responsible Department		Created by		Checked by	
-		Fabio Maroni		Giulio Pascolini	
Title		Document ID		Scale	
-		-		1:100	
Approved by		Approved by		Format	
-		Mauro Tavola		A1	
Title		Document ID		Rev.	
SUBSTATION 1 TOPSIDES - LEVEL 2		12085-CDD-102		Rel. Date	
-		-		Page	
KKS-NO.: -		00		20.07.2023	
-		1/1		-	

File name: 12085-CDD-102_00.dwg



Mod. UNI - AT/0

PLATFORM NORTH



LEVEL 3 - PLAN AT EL +28.60 TOS

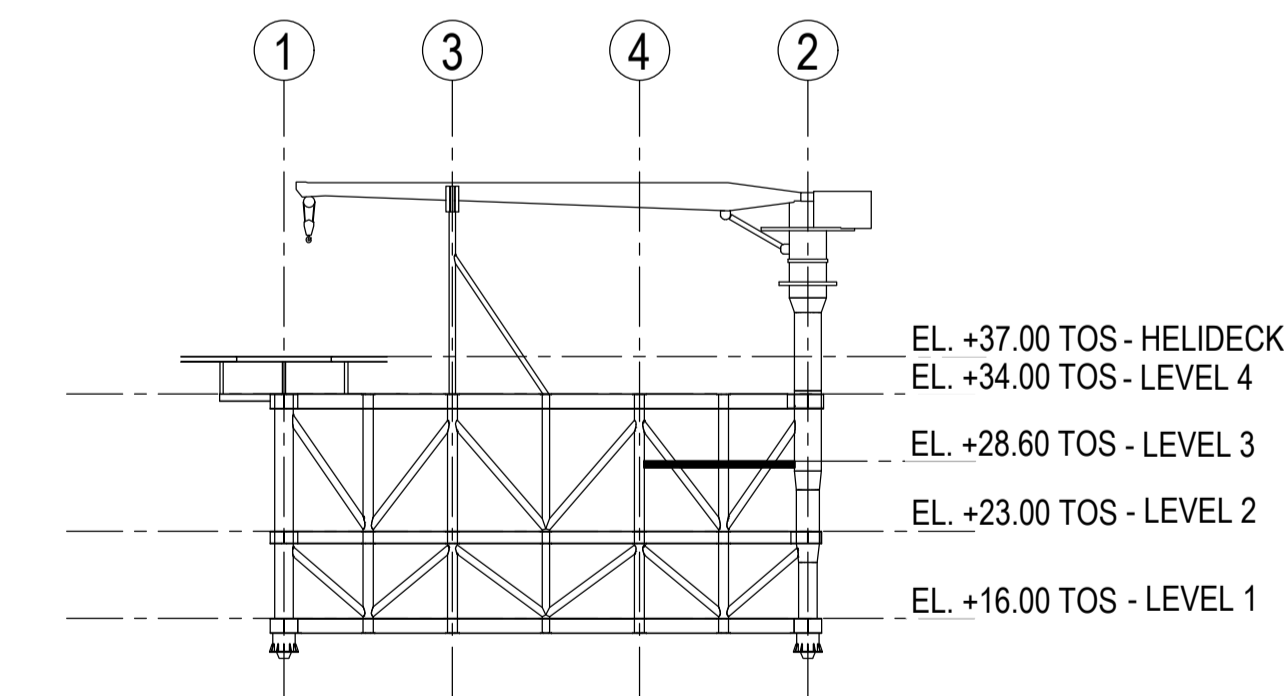
REFERENCE DOCUMENTS

REF	DOC TAG	DESCRIPTION
1	12085-CDD-100	SUBSTATION 1 - ASSEMBLY - ISOMETRIC VIEW

NOTES

- 1 - ALL DIMENSIONS ARE IN mm U.N.O.
- 2 - ALL ELEVATION ARE IN m REFERRED TO L.A.T.

KEY ELEVATION



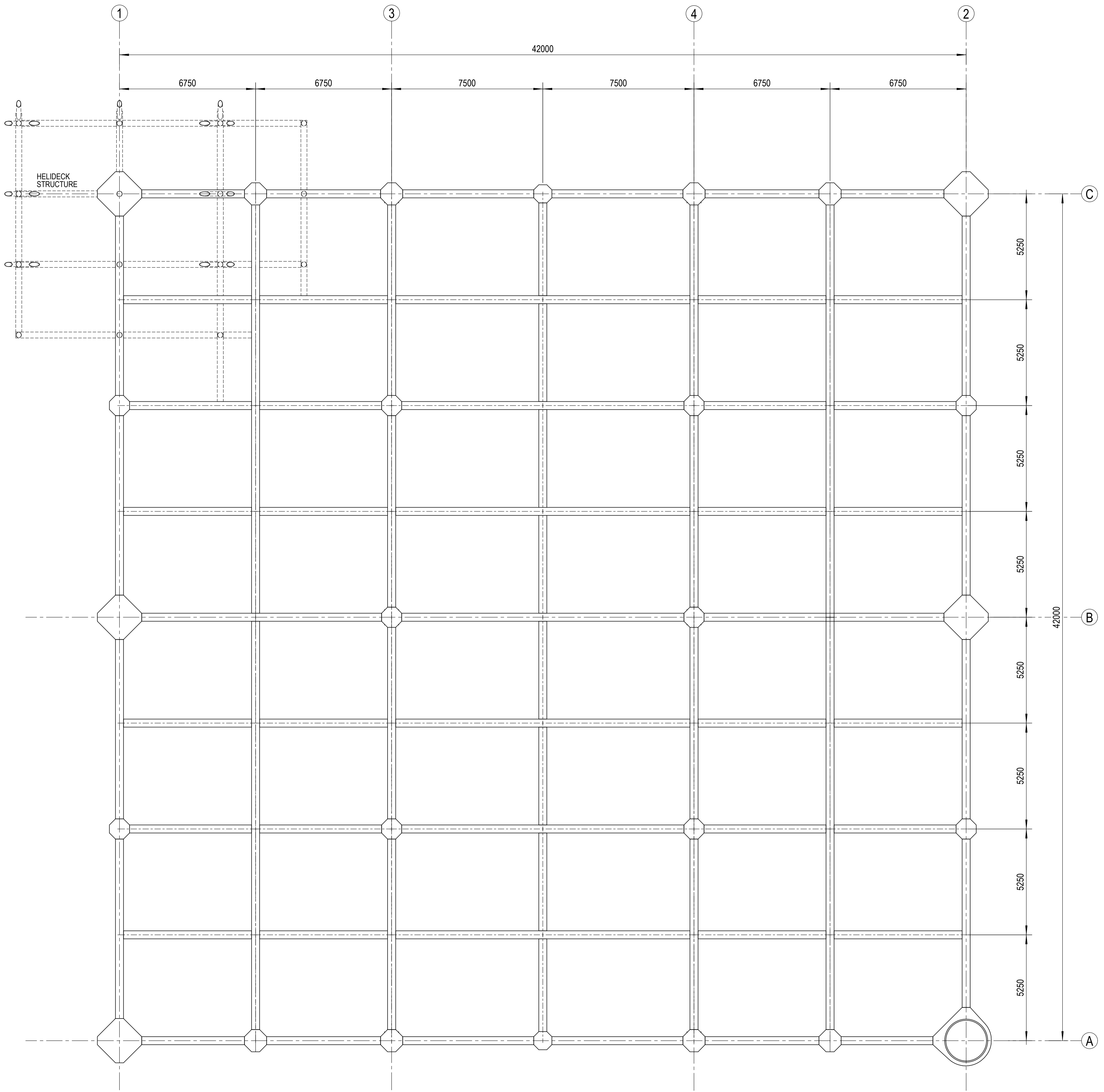
00	20.07.2023	FM	GP	MT	Firts Issue
Rev.	Date	Created by	Checked by	Approved by	Description
Customer		Project		Customer Document ID	
Barium Bay Sri		Barium Bay Offshore Substations		-	
Project ID		Replacing		Based on	
12085		-		-	
Responsible Department		Created by		Checked by	
-		Fabio Maroni		Giulio Pascolini	
Approved by		Title		Document ID	
Mauro Tavola		SUBSTATION 1 TOPSIDES - LEVEL 3		12085-CDD-103	
KKS-NO: -		Rev.		Rel. Date	
-		00		20.07.2023	
		Page		1/1	

File name: 12085-CDD-103_00.dwg



Scale: 1:100
Format: A1

PLATFORM NORTH



LEVEL 4 - PLAN AT EL. +34.00 TOS

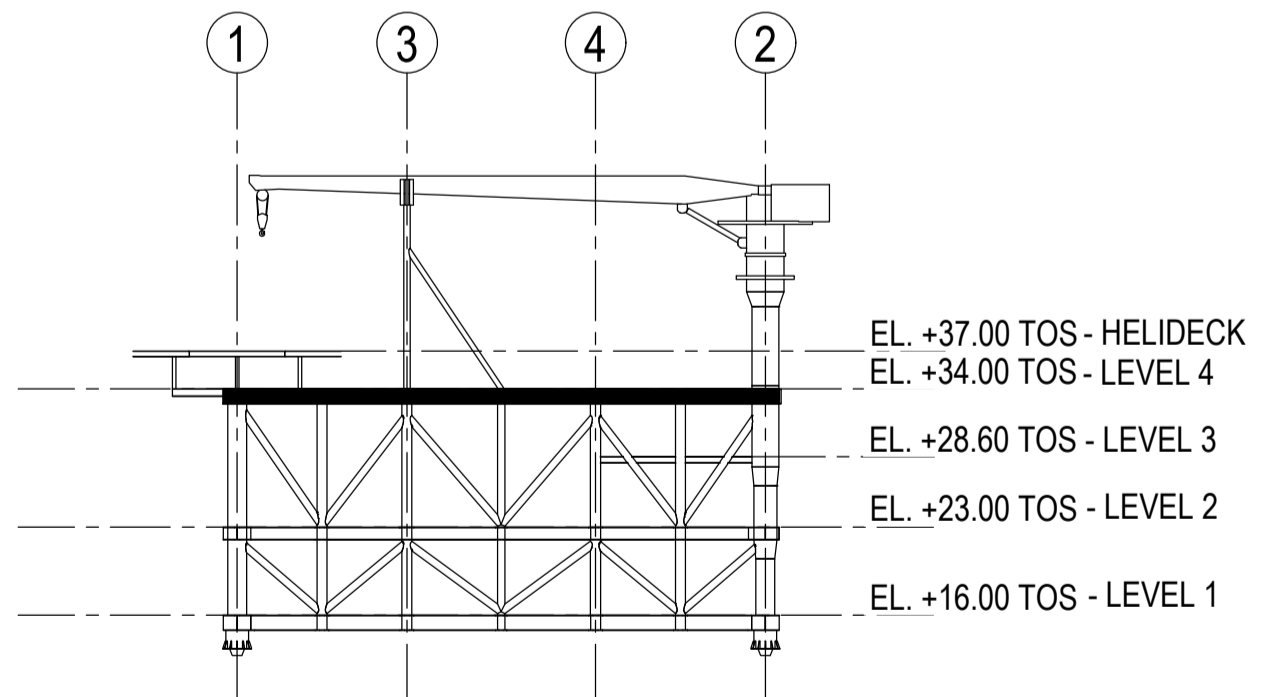
REFERENCE DOCUMENTS

REF	DOC TAG	DESCRIPTION
1	12085-CDD-100	SUBSTATION 1 - ASSEMBLY - ISOMETRIC VIEW

NOTES

- 1 - ALL DIMENSIONS ARE IN mm U.N.O.
- 2 - ALL ELEVATION ARE IN m REFERRED TO L.A.T.

KEY ELEVATION



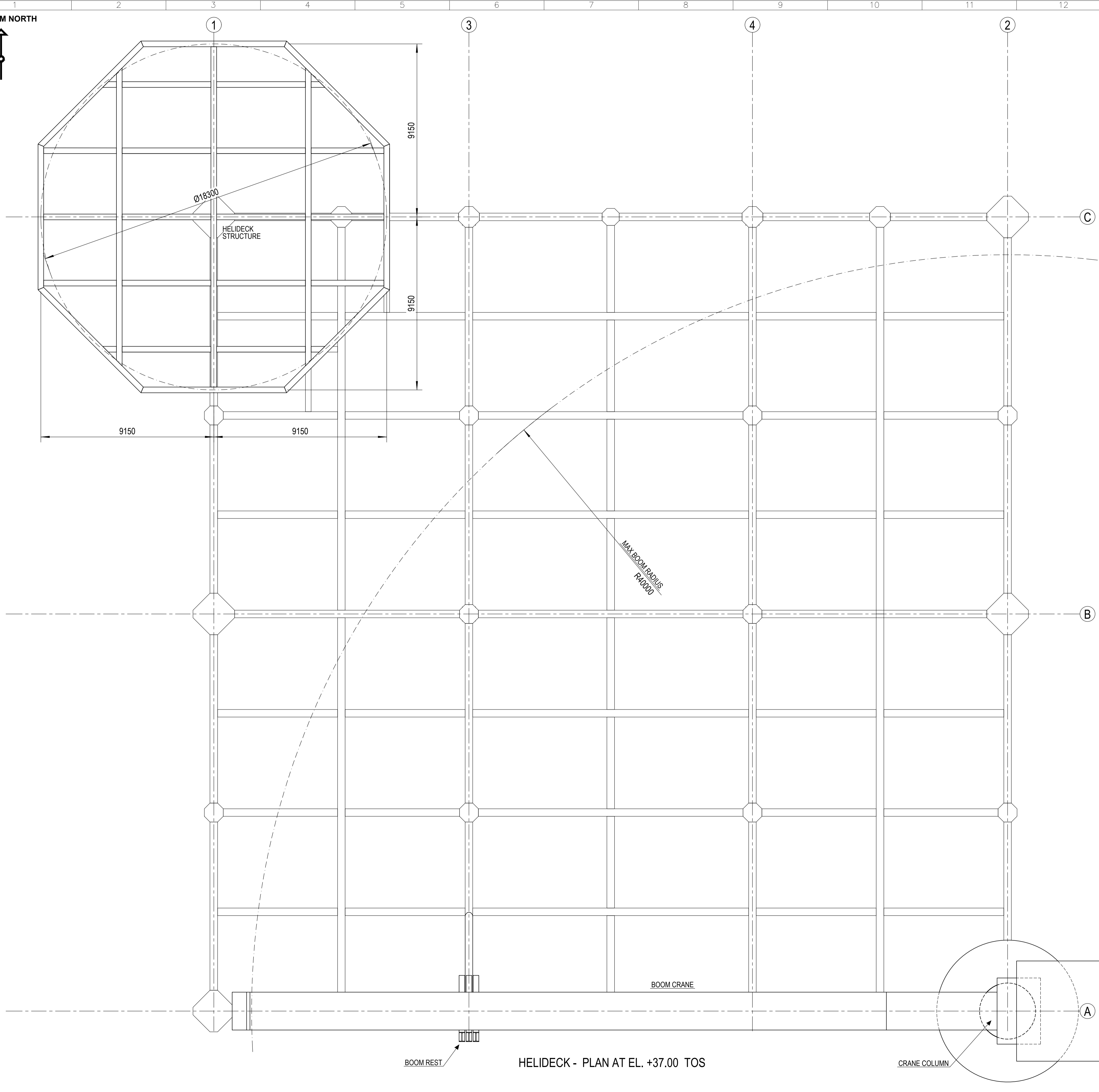
00	20.07.2023	FM	GP	MT	Firts Issue
Rev.	Date	Created by	Checked by	Approved by	Description
Customer Barium Bay Srl		Project Barium Bay Offshore Substations			Customer Document ID -
Project ID 12085		Replacing -			Based on -
Responsible Department -		Created by Fabio Maroni		Checked by Giulio Pascolini	Scale 1:100
-		Approved by Mauro Tavola		Format A1	
-		Title SUBSTATION 1 TOPSIDES - LEVEL 4		Document ID 12085-CDD-104	
-		KKS-NO.: -		Rev. 00	Rel. Date 20.07.2023
-		-		Page 1/1	

File name 12085-CDD-104_00.dwg



Mod. UNI - AT/20

PLATFORM NORTH

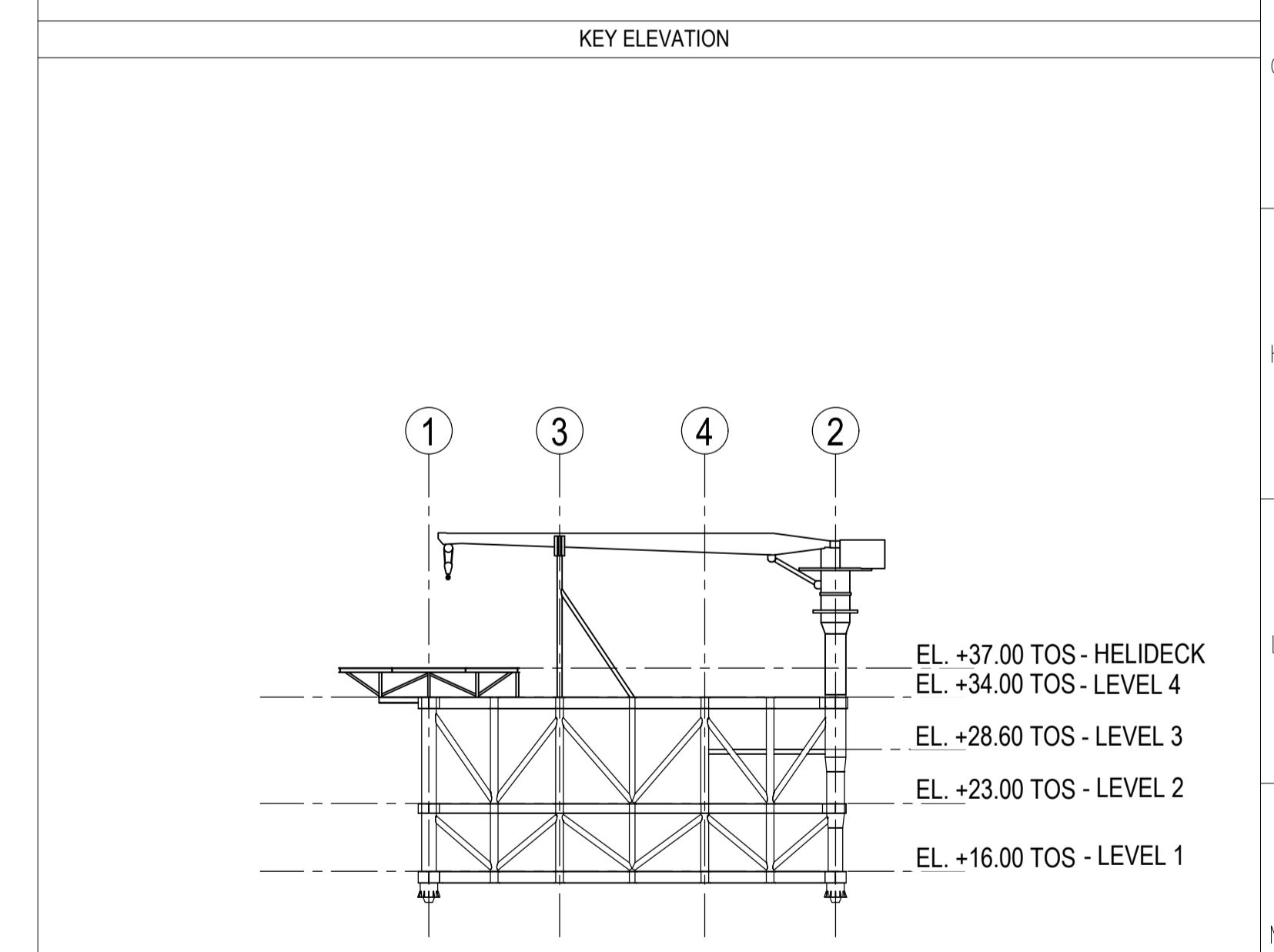


HELIDECK - PLAN AT EL. +37.00 TOS

REFERENCE DOCUMENTS		
REF	DOC TAG	DESCRIPTION
1	12085-CDD-100	SUBSTATION 1 - ASSEMBLY - ISOMETRIC VIEW

NOTES

1 - ALL DIMENSIONS ARE IN mm U.N.O.
 2 - ALL ELEVATION ARE IN m REFERRED TO L.A.T.



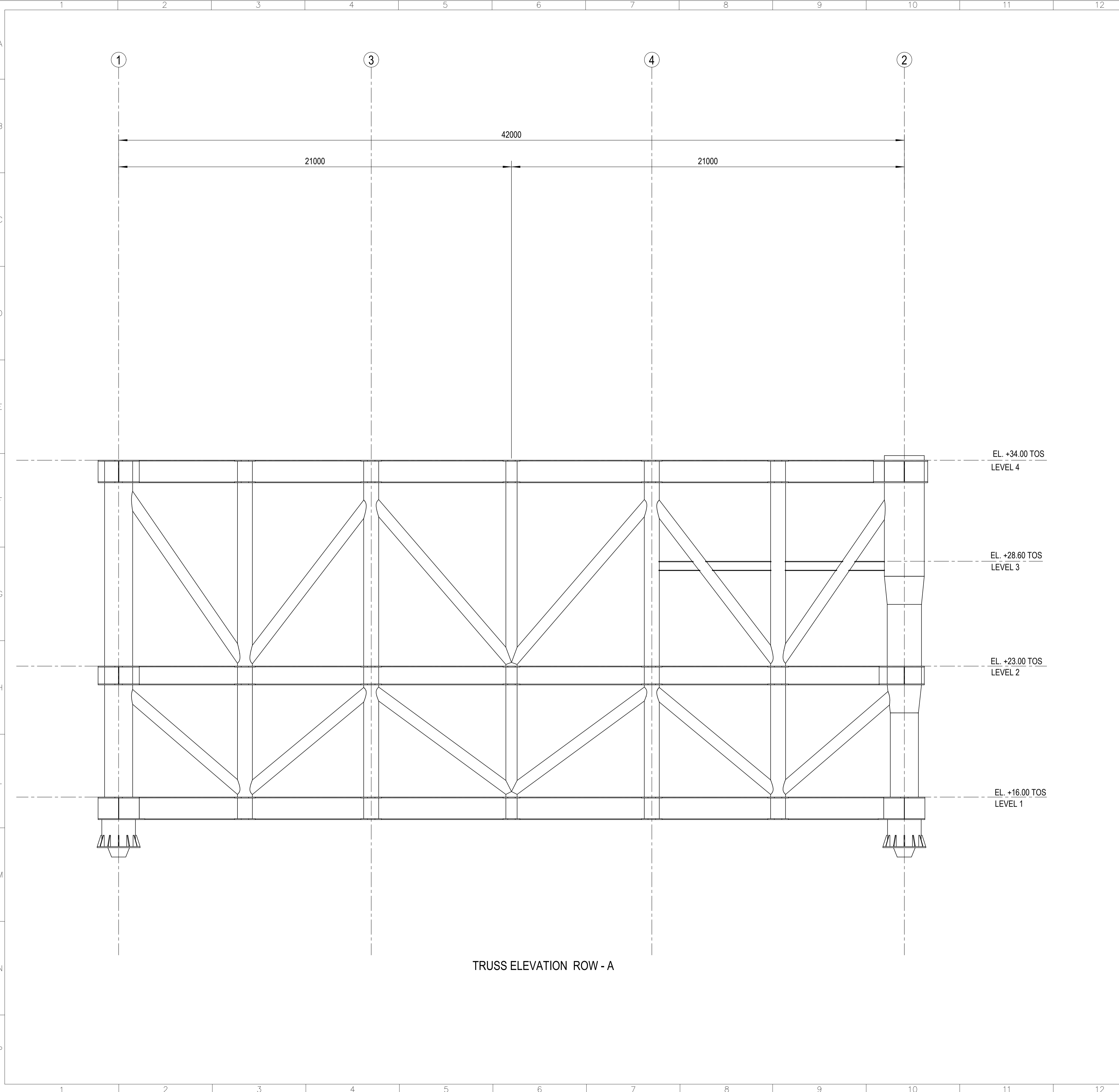
Rev.	Date	Created by	Checked by	Approved by	Description
00	20.07.2023	FM	GP	MT	Firts Issue

Customer	Barium Bay Srl	Project	Barium Bay Offshore Substations	Customer Document ID	-
Project ID	12085	Replacing	-	Scale	1:100
Responsible Department	-	Created by	Fabio Maroni	Checked by	Giulio Pascolini
		Approved by	Mauro Tavola	Format	A1

Title SUBSTATION 1 TOPSIDES - HELIDECK			Document ID 12085-CDD-105		
KKS-NO.: -			Rev. 00	Rel. Date 20.07.2023	Page 1/1

File name: 12085-CDD-105_00.dwg

Mod. UNI - A1/P0

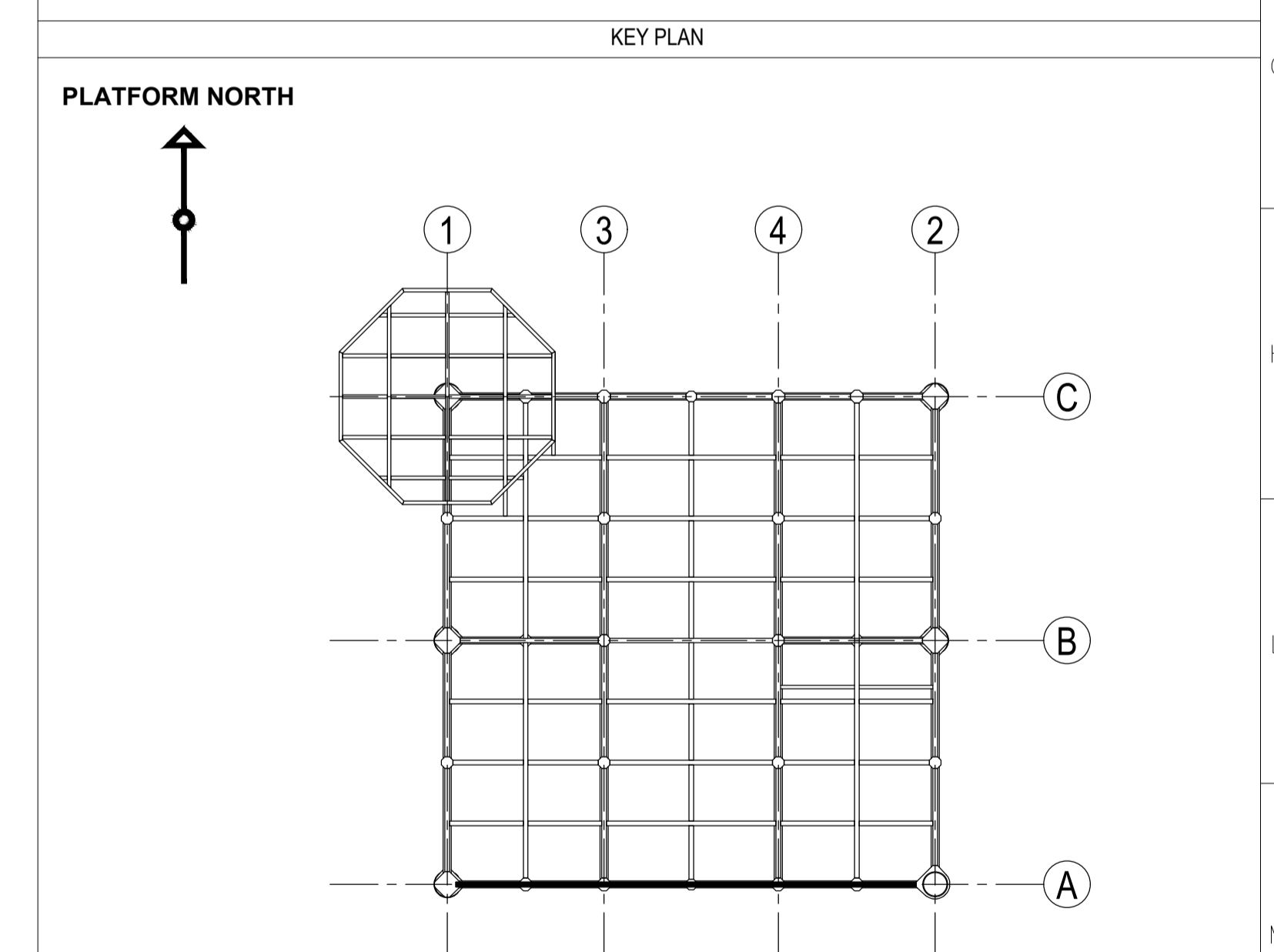


TRUSS ELEVATION ROW - A

REFERENCE DOCUMENTS		
REF	DOC TAG	DESCRIPTION
1	12085-CDD-100	SUBSTATION 1 - ASSEMBLY - ISOMETRIC VIEW

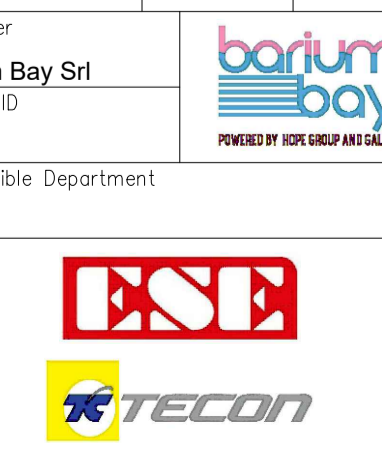
NOTES

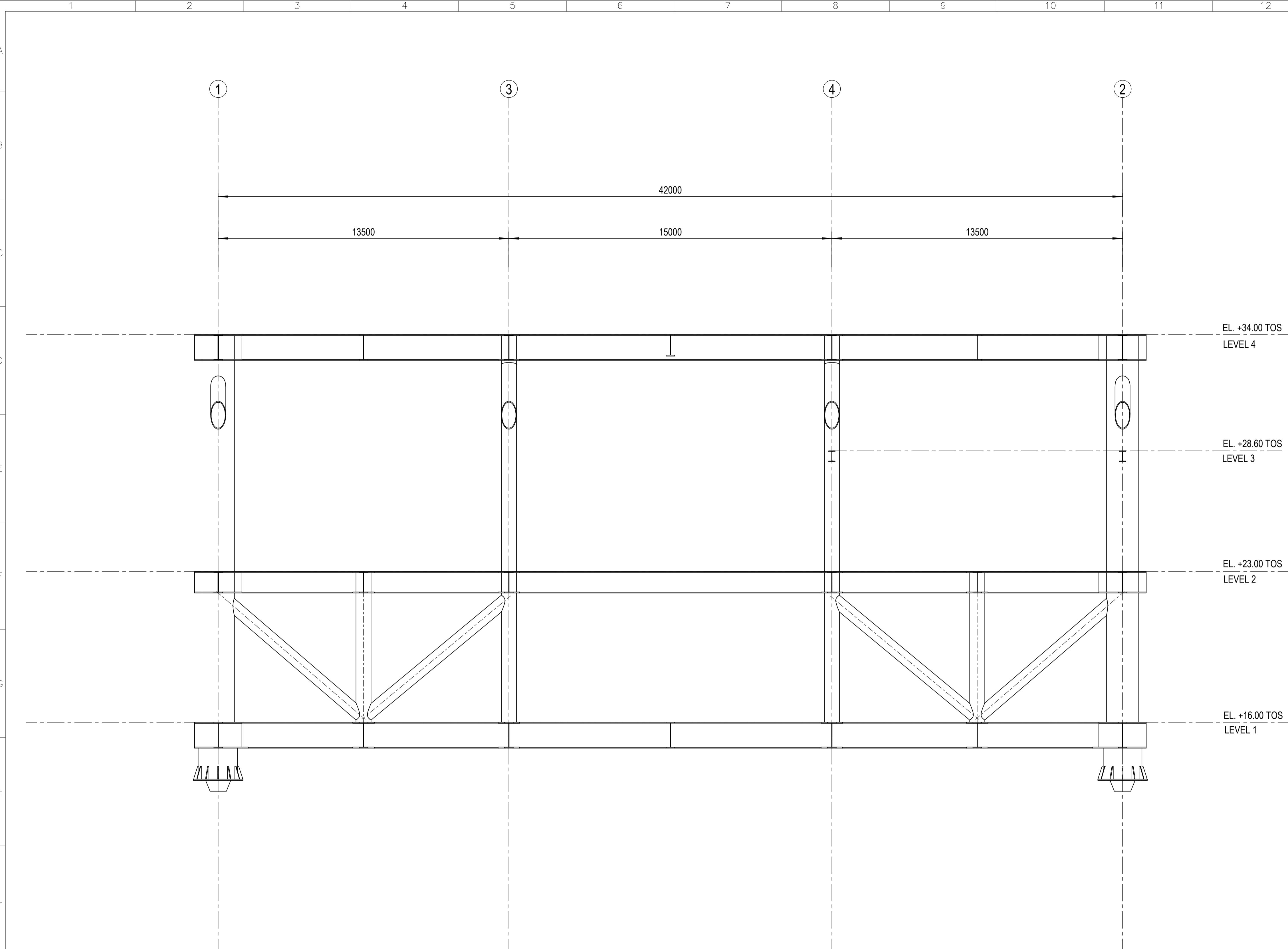
1 - ALL DIMENSIONS ARE IN mm U.N.O.
 2 - ALL ELEVATION ARE IN m REFERRED TO L.A.T.



00	20.07.2023	FM	GP	MT	Firts Issue
Rev.	Date	Created by	Checked by	Approved by	Description
Customer		Project		Customer Document ID	
Barium Bay Srl		Barium Bay Offshore Substations		-	
Project ID		Replacing		Based on	
12085		-		-	
Responsible Department		Created by		Checked by	
-		Fabio Maroni		Giulio Pascolini	
Title		Document ID		Scale	
SUBSTATION 1 TOPSIDES - ROW A		12085-CDD-106		1:100	
KKS-NO.: -		Rev.		Rel. Date	
-		00		20.07.2023	
				Page	
				1/1	

File name: 12085-CDD-106_00.dwg



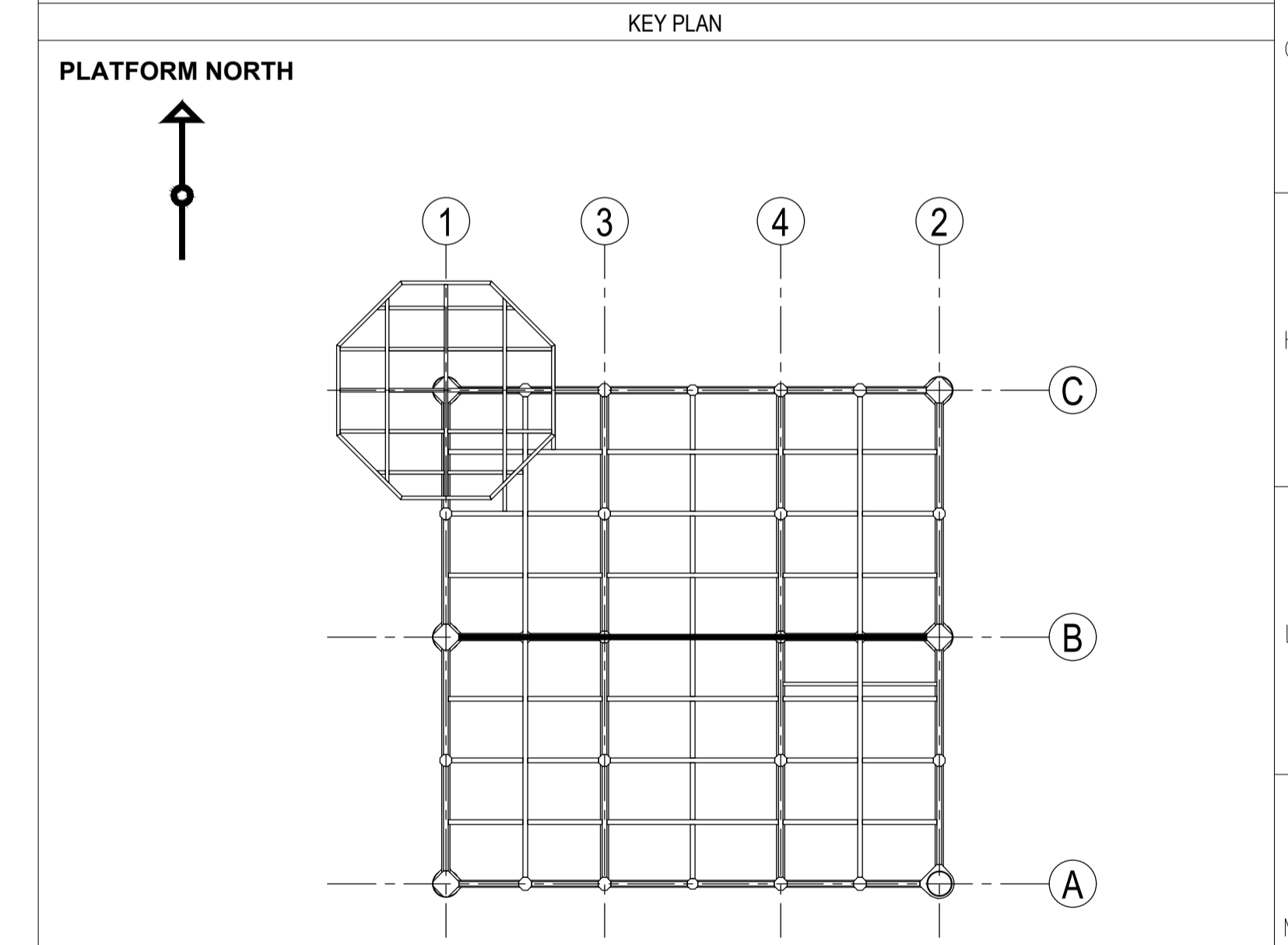


TRUSS ELEVATION ROW - B

REFERENCE DOCUMENTS		
REF	DOC TAG	DESCRIPTION
1	12085-CDD-100	SUBSTATION 1 - ASSEMBLY - ISOMETRIC VIEW

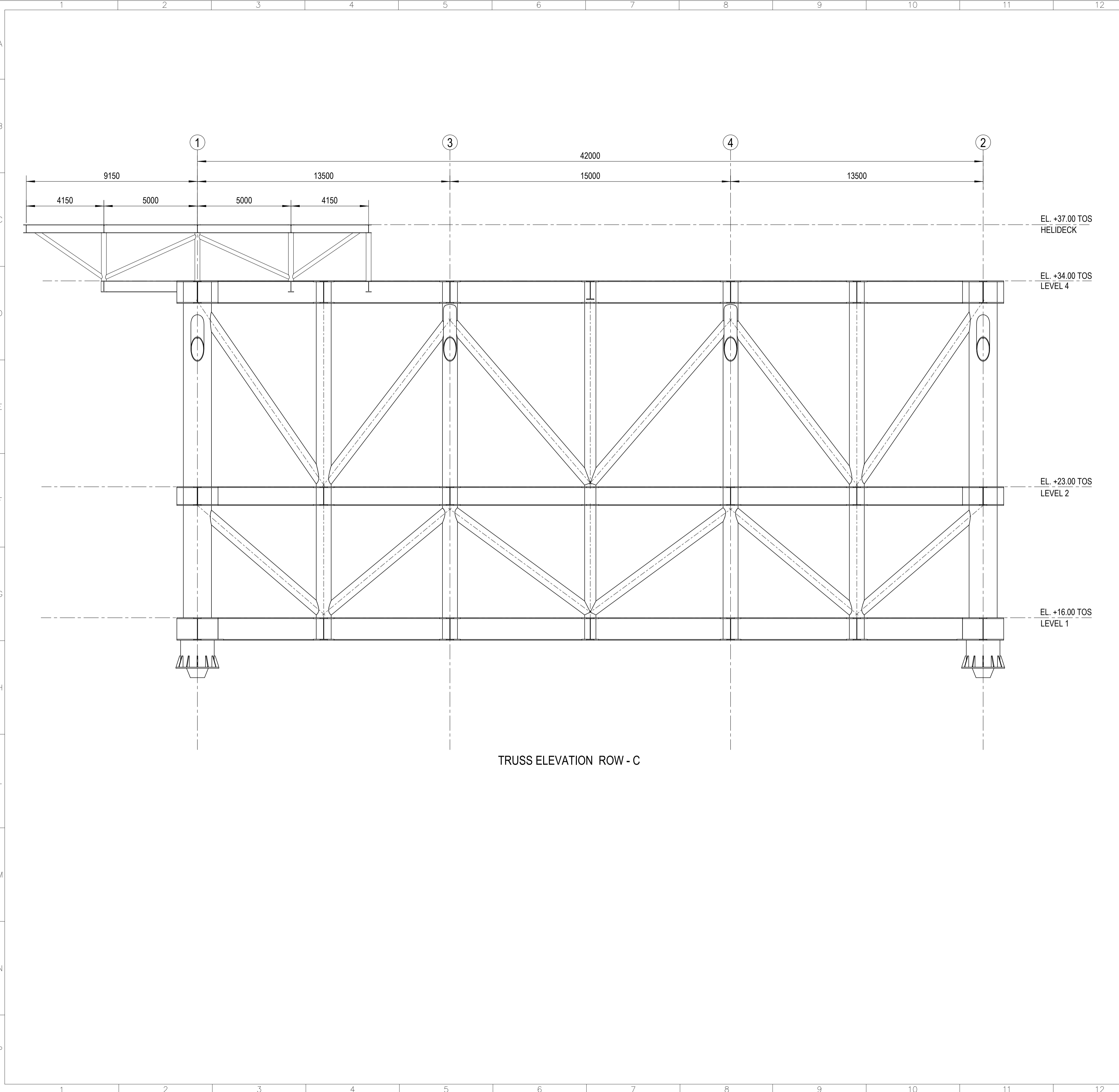
NOTES

1 - ALL DIMENSIONS ARE IN mm U.N.O.
 2 - ALL ELEVATION ARE IN m REFERRED TO L.A.T.



00	20.07.2023	FM	GP	MT	Firts Issue
Rev.	Date	Created by	Checked by	Approved by	Description
Customer Barium Bay Srl		Project Barium Bay Offshore Substations		Customer Document ID -	
Project ID 12085		Replacing -		Based on -	Scale 1:100
Responsible Department -		Created by Fabio Maroni	Checked by Giulio Pascolini	Approved by Mauro Tavola	
Title SUBSTATION 1 TOPSIDES - ROW B		Document ID 12085-CDD-107		Rev. 00	Page 1/1
KKS-NO.: -		Rel. Date 20.07.2023		Page 1/1	

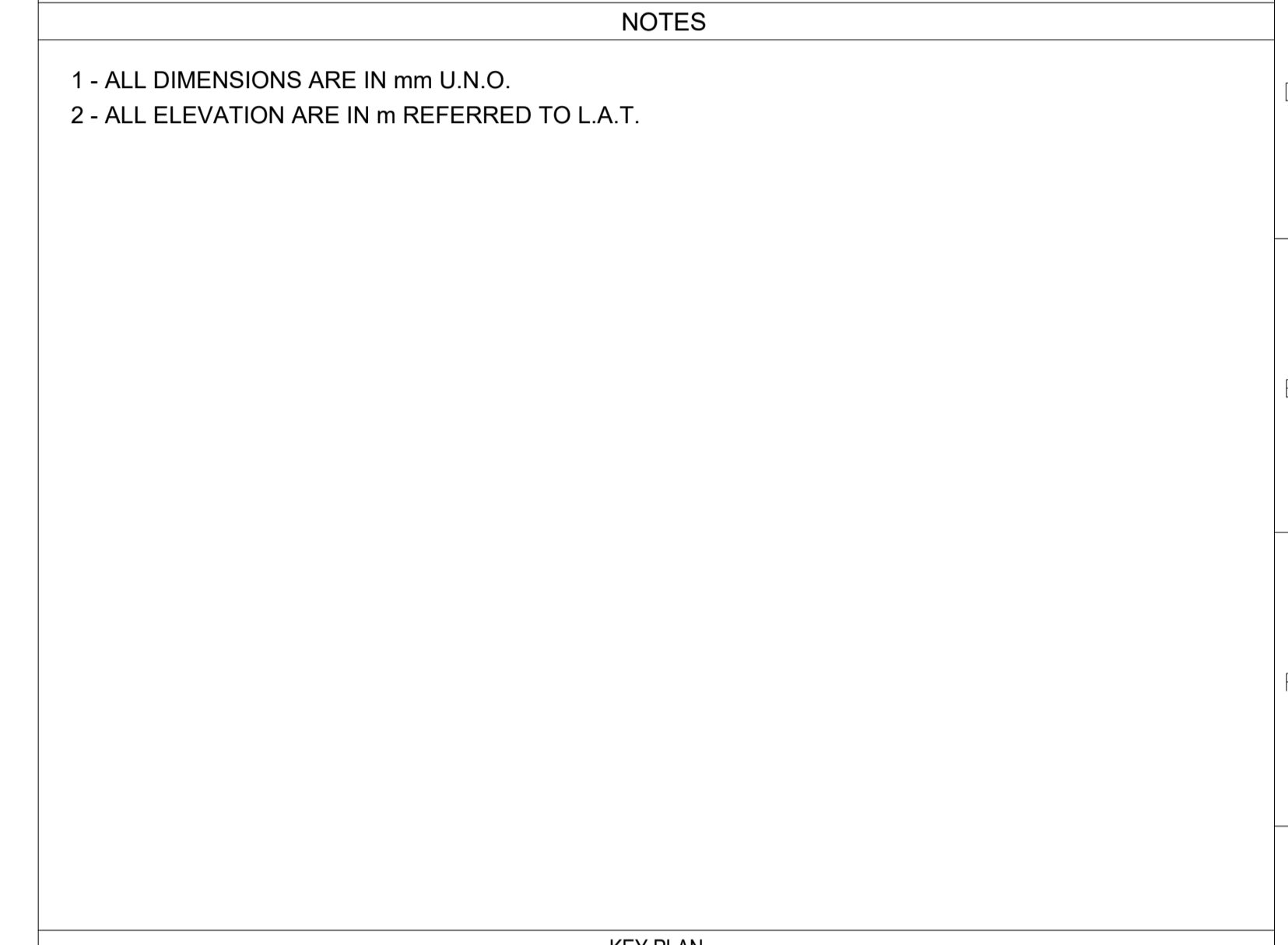
File name: 12085-CDD-107_00.dwg



REFERENCE DOCUMENTS		
REF	DOC TAG	DESCRIPTION
1	12085-CDD-100	SUBSTATION 1 - ASSEMBLY - ISOMETRIC VIEW

NOTES

1 - ALL DIMENSIONS ARE IN mm U.N.O.
 2 - ALL ELEVATION ARE IN m REFERRED TO L.A.T.

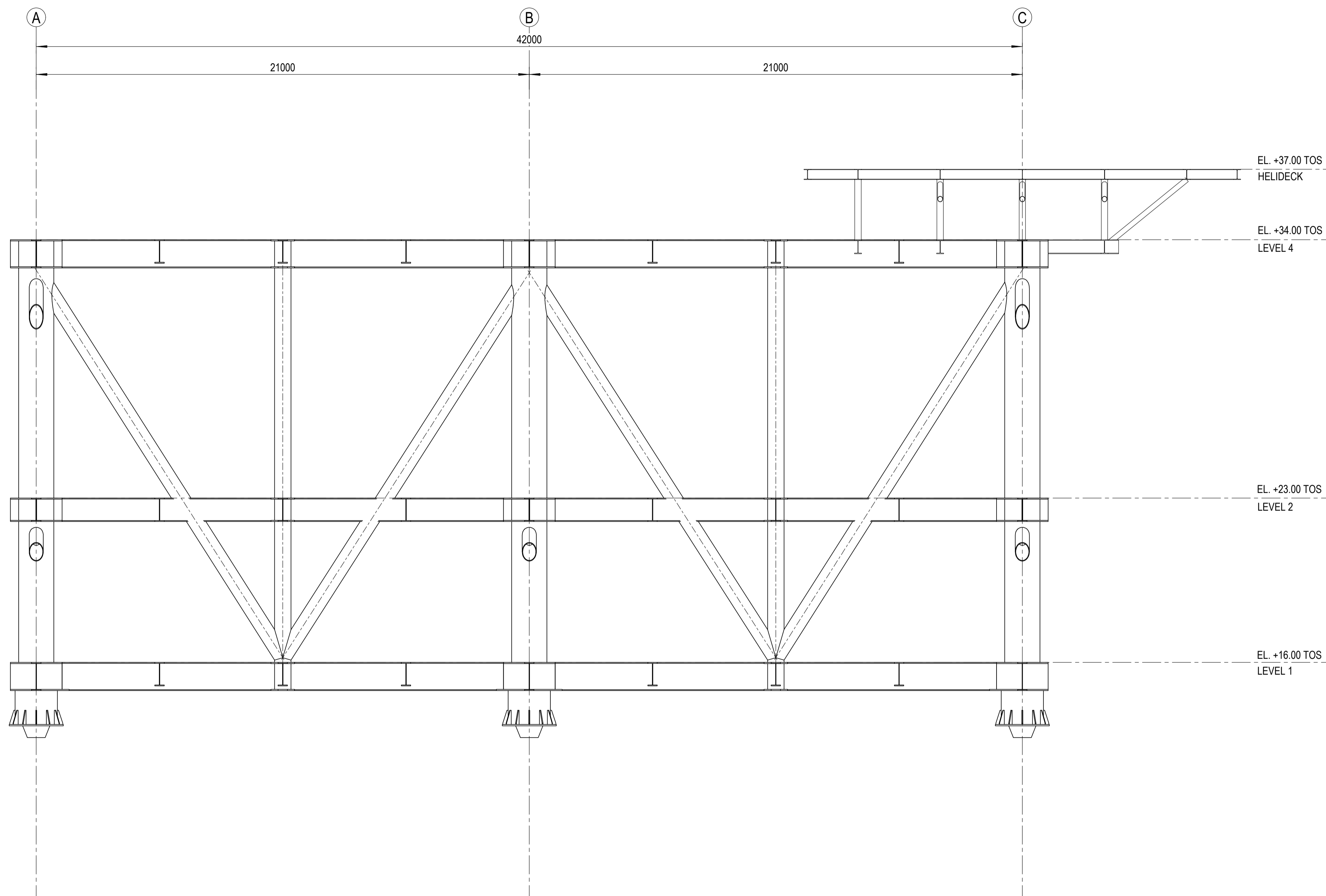


Rev.	Date	Created by	Checked by	Approved by	Description
00	20.07.2023	FM	GP	MT	Firts Issue

Customer	Project	Customer Document ID
Barium Bay Srl	Barium Bay Offshore Substations	-
Project ID	Replacing	Based on
12085	-	-
Responsible Department	Created by	Checked by
-	Fabio Maroni	Giulio Pascolini
	Approved by	Document ID
	Mauro Tavola	12085-CDD-108

SUBSTATION 1		12085-CDD-108	
TOPSIDES - ROW C		Rev.	Page
KKS-NO.: -		00	1/1

Rev.	Date	Page
00	20.07.2023	1/1

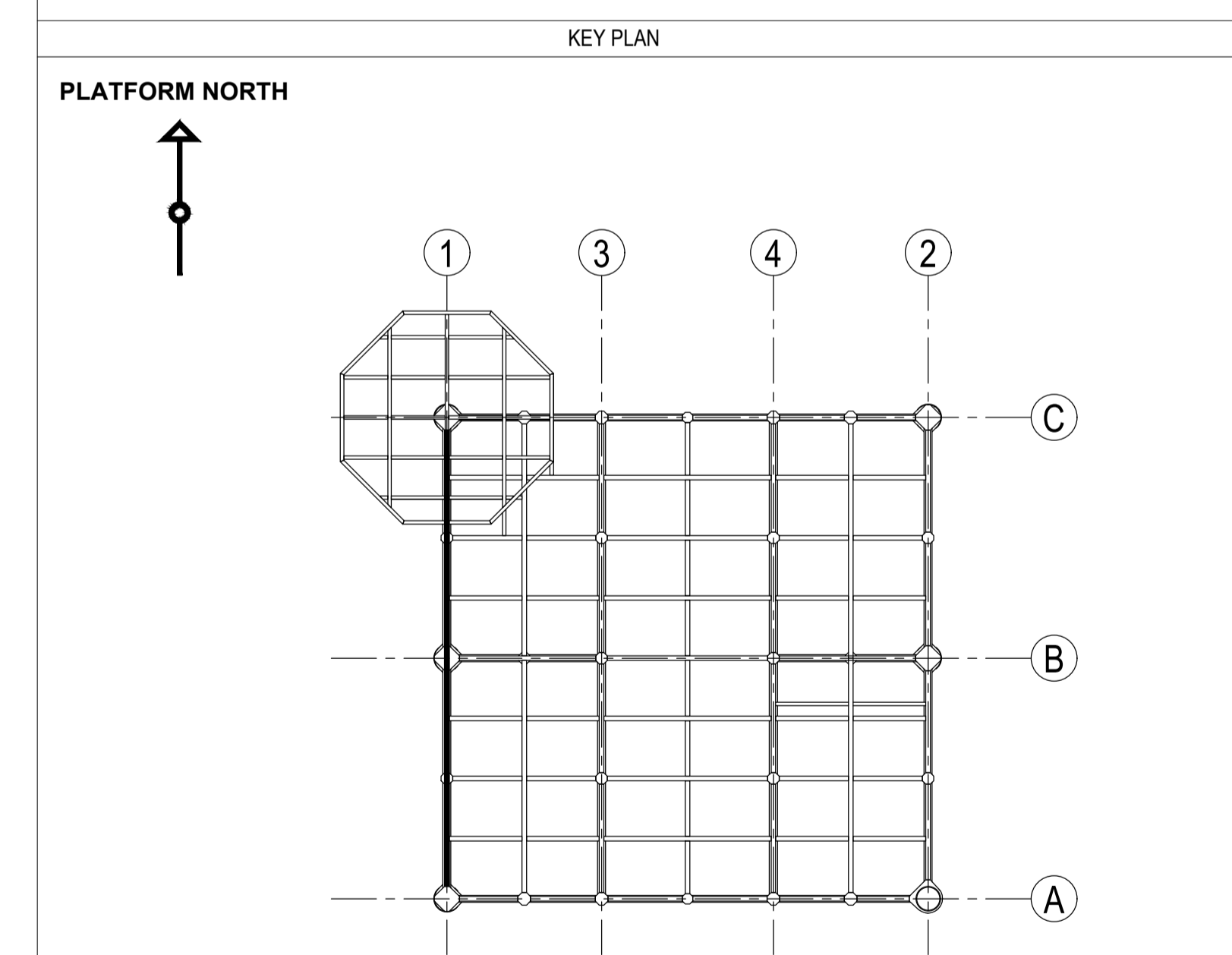


TRUSS ELEVATION ROW - 1

REFERENCE DOCUMENTS		
REF	DOC TAG	DESCRIPTION
1	12085-CDD-100	SUBSTATION 1 - ASSEMBLY - ISOMETRIC VIEW

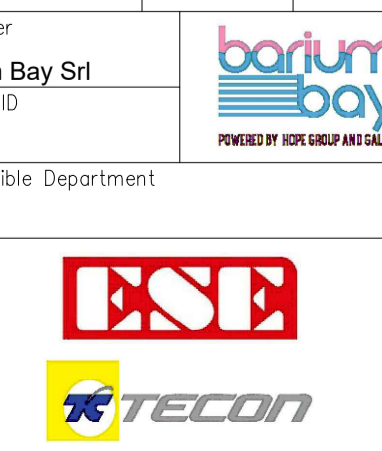
NOTES

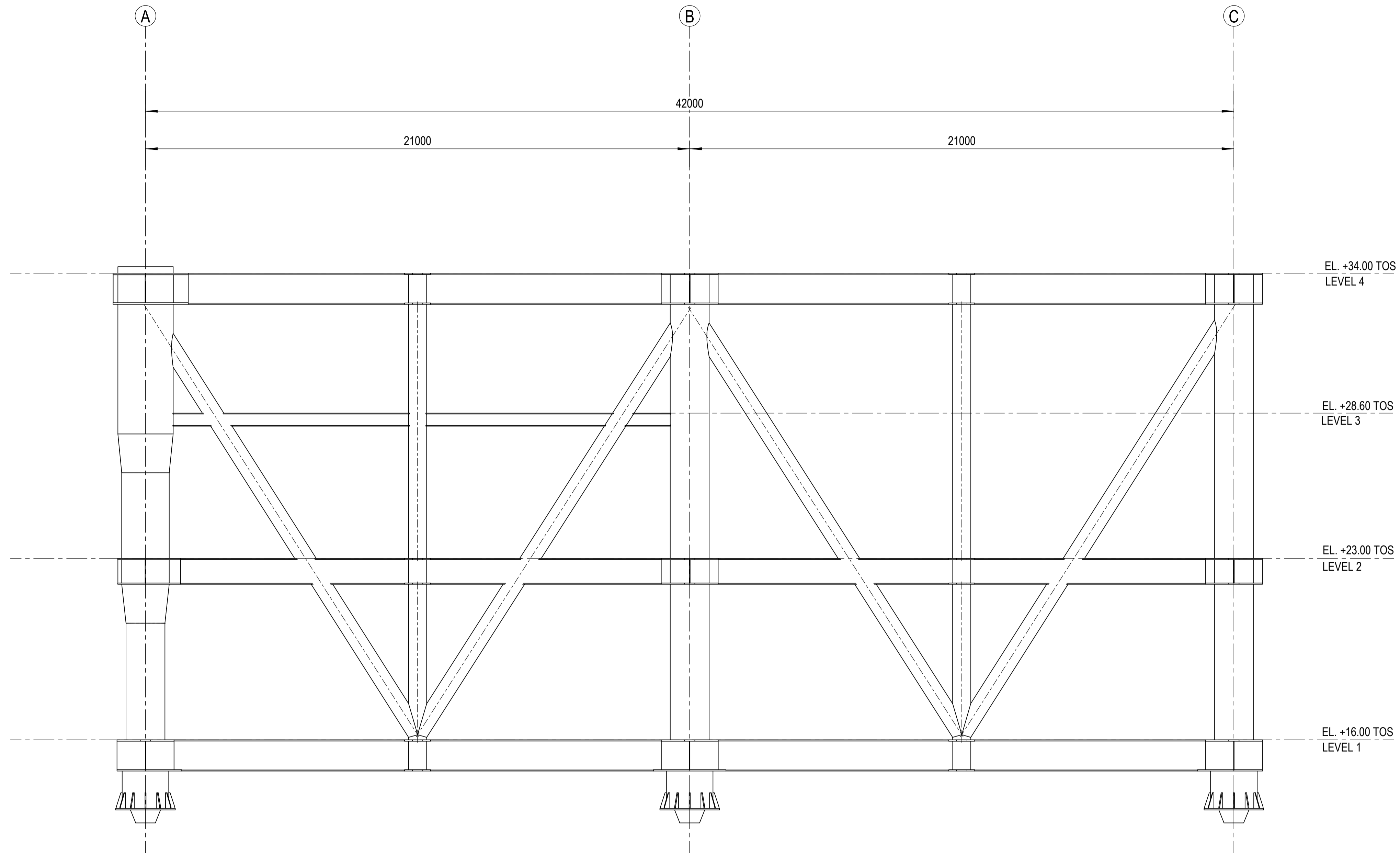
1 - ALL DIMENSIONS ARE IN mm U.N.O.
 2 - ALL ELEVATION ARE IN m REFERRED TO L.A.T.



00	20.07.2023	FM	GP	MT	Firts Issue
Rev.	Date	Created by	Checked by	Approved by	Description
Customer		Project		Customer Document ID	
Barium Bay Srl		Barium Bay Offshore Substations		-	
Project ID		Replacing		Based on	
12085		-		-	
Responsible Department		Created by		Checked by	
-		Fabio Maroni		Giulio Pascolini	
Title		Document ID		Scale	
SUBSTATION 1 TOPSIDES - ROW 1		12085-CDD-109		1:100	
KKS-NO.: -		Rev.		Page	
-		00		20.07.2023	
-		-		1/1	

File name: 12085-CDD-109_00.dwg



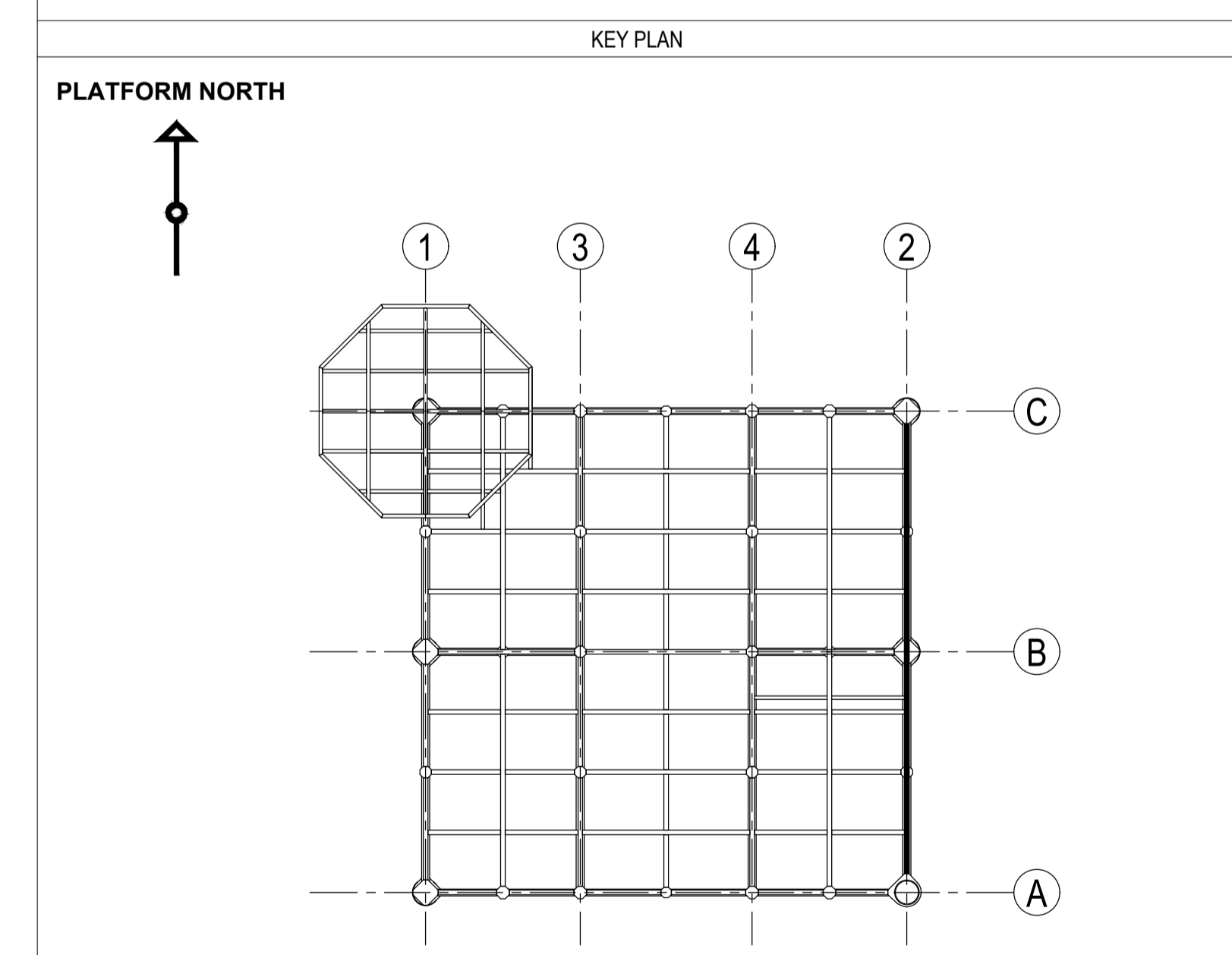


TRUSS ELEVATION ROW - 2

REFERENCE DOCUMENTS		
REF	DOC TAG	DESCRIPTION
1	12085-CDD-100	SUBSTATION 1 - ASSEMBLY - ISOMETRIC VIEW

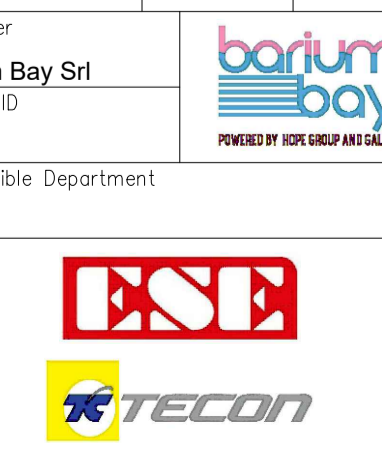
NOTES

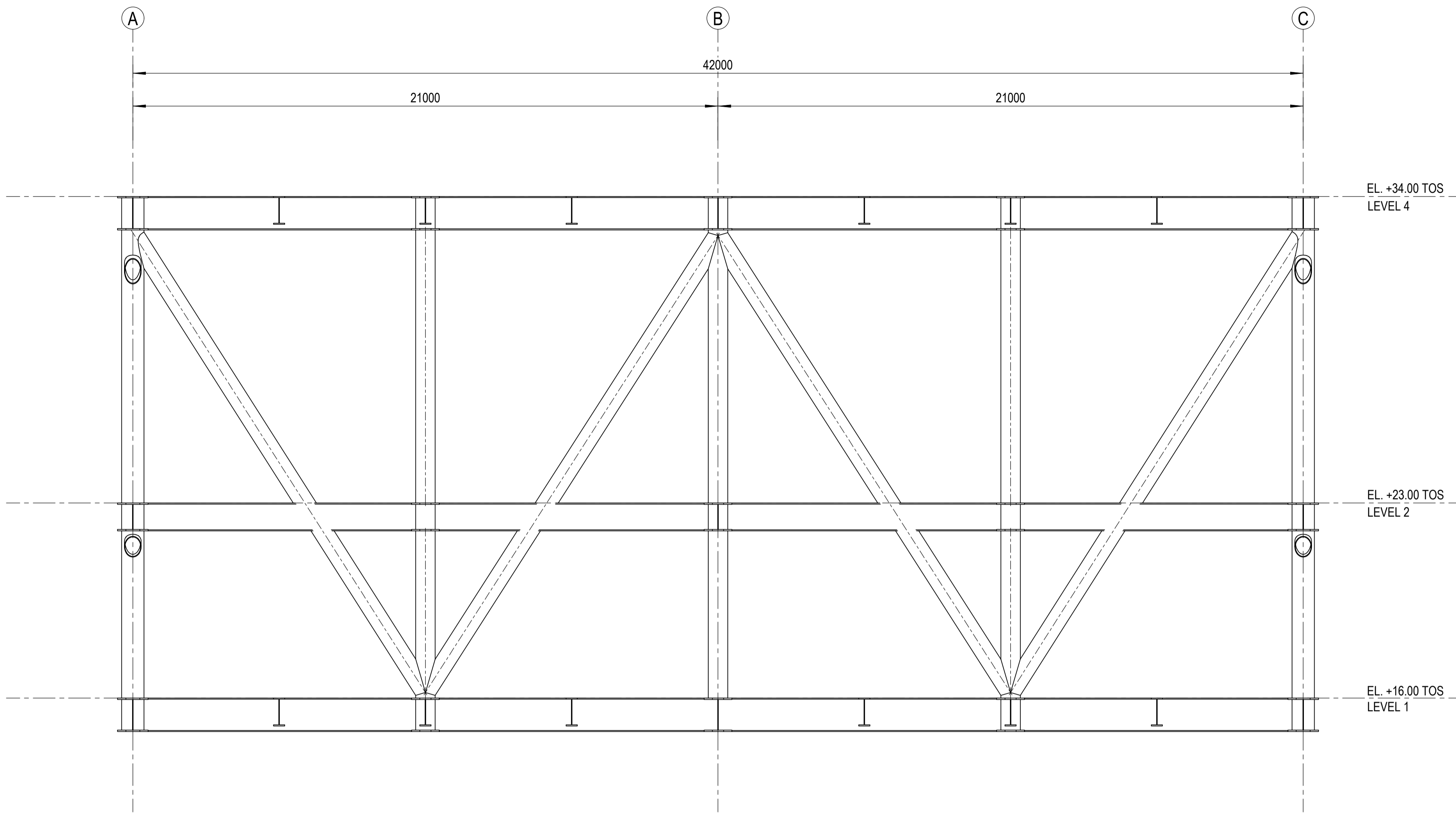
1 - ALL DIMENSIONS ARE IN mm U.N.O.
 2 - ALL ELEVATION ARE IN m REFERRED TO L.A.T.



00	20.07.2023	FM	GP	MT	Firts Issue
Rev.	Date	Created by	Checked by	Approved by	Description
Customer		Project		Customer Document ID	
Barium Bay Srl		Barium Bay Offshore Substations		-	
Project ID		Replacing		Based on	
12085		-		-	
Responsible Department		Created by		Checked by	
-		Fabio Maroni		Giulio Pascolini	
Title		Document ID		Scale	
SUBSTATION 1 TOPSIDES - ROW 2		12085-CDD-110		1:100	
KKS-NO.: -		Rev.		Page	
		00		20.07.2023	
				1/1	

File name: 12085-CDD-110_00.dwg



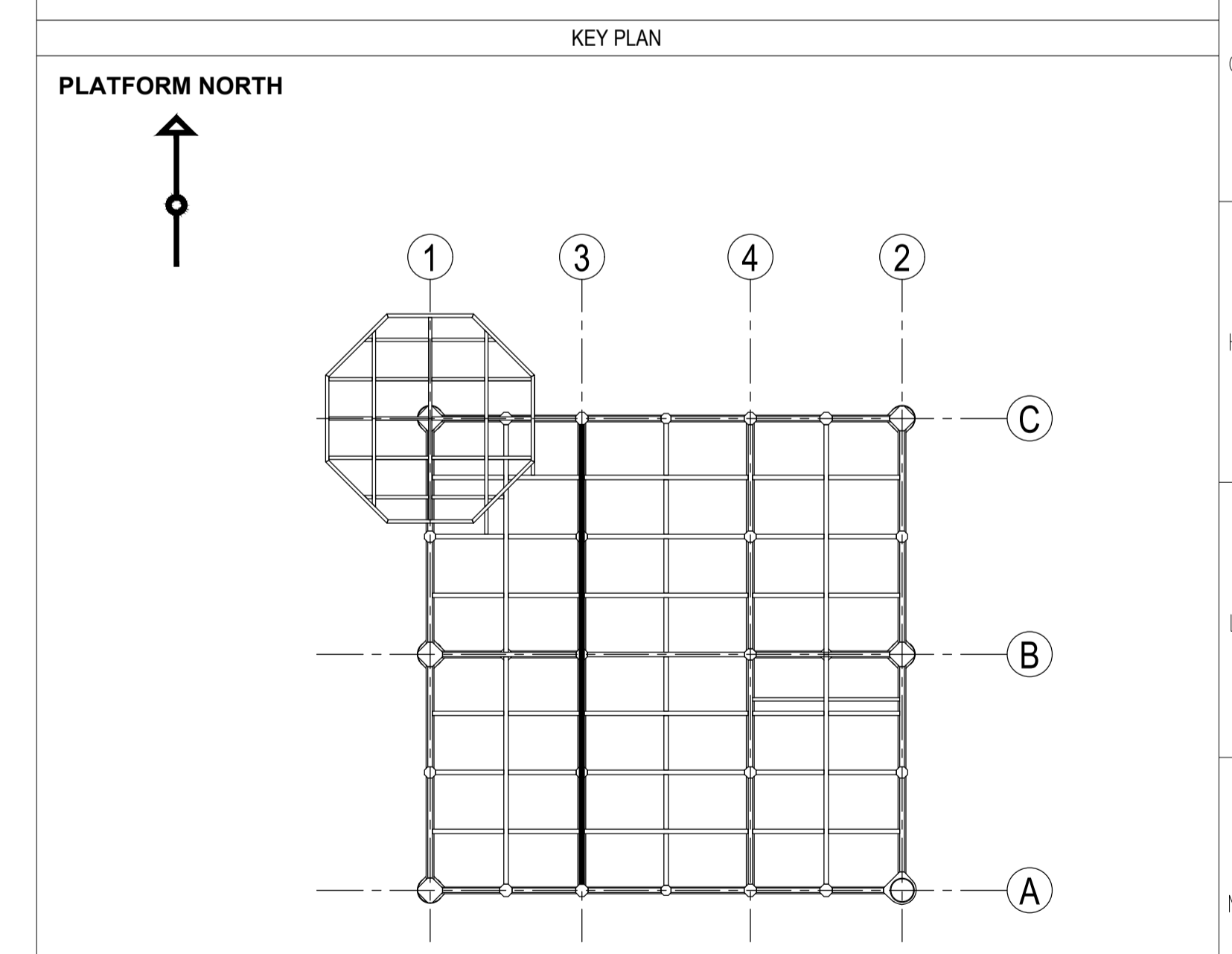


TRUSS ELEVATION ROW - 3

REFERENCE DOCUMENTS		
REF	DOC TAG	DESCRIPTION
1	12085-CDD-100	SUBSTATION 1 - ASSEMBLY - ISOMETRIC VIEW

NOTES

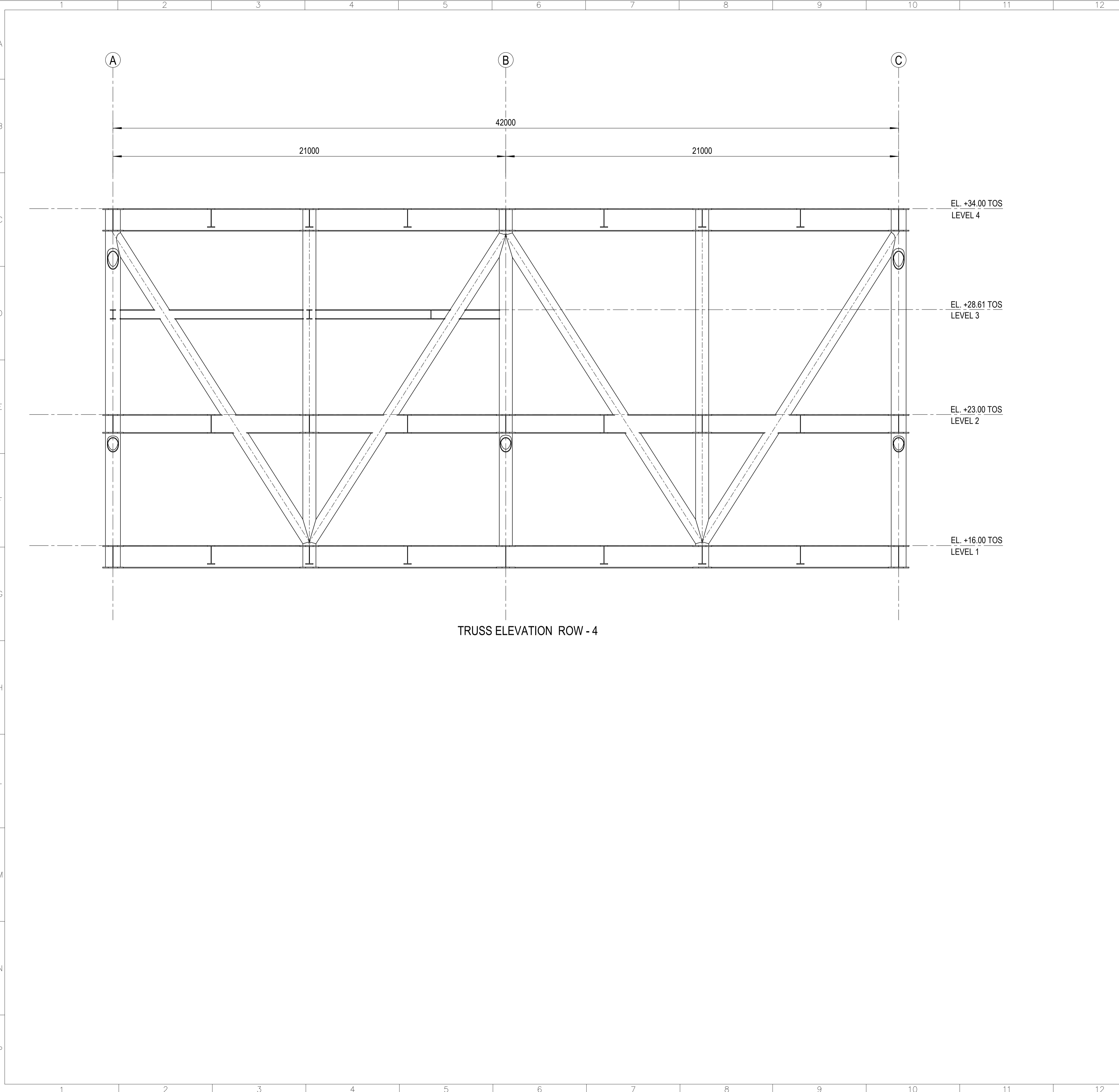
1 - ALL DIMENSIONS ARE IN mm U.N.O.
 2 - ALL ELEVATION ARE IN m REFERRED TO L.A.T.



00	20.07.2023	FM	GP	MT	Firts Issue
Rev.	Date	Created by	Checked by	Approved by	Description
Customer		Project		Customer Document ID	
Barium Bay Srl		Barium Bay Offshore Substations		-	
Project ID		Replacing		Based on	
12085		-		-	
Responsible Department		Created by		Checked by	
-		Fabio Maroni		Giulio Pascolini	
Approved by		Title		Document ID	
Mauro Tavola		SUBSTATION 1 TOPSIDES - ROW 3		12085-CDD-111	
KKS-NO.: -		Rev.		Rel. Date	
-		00		20.07.2023	
		Page		1/1	

File name: 12085-CDD-111_00.dwg

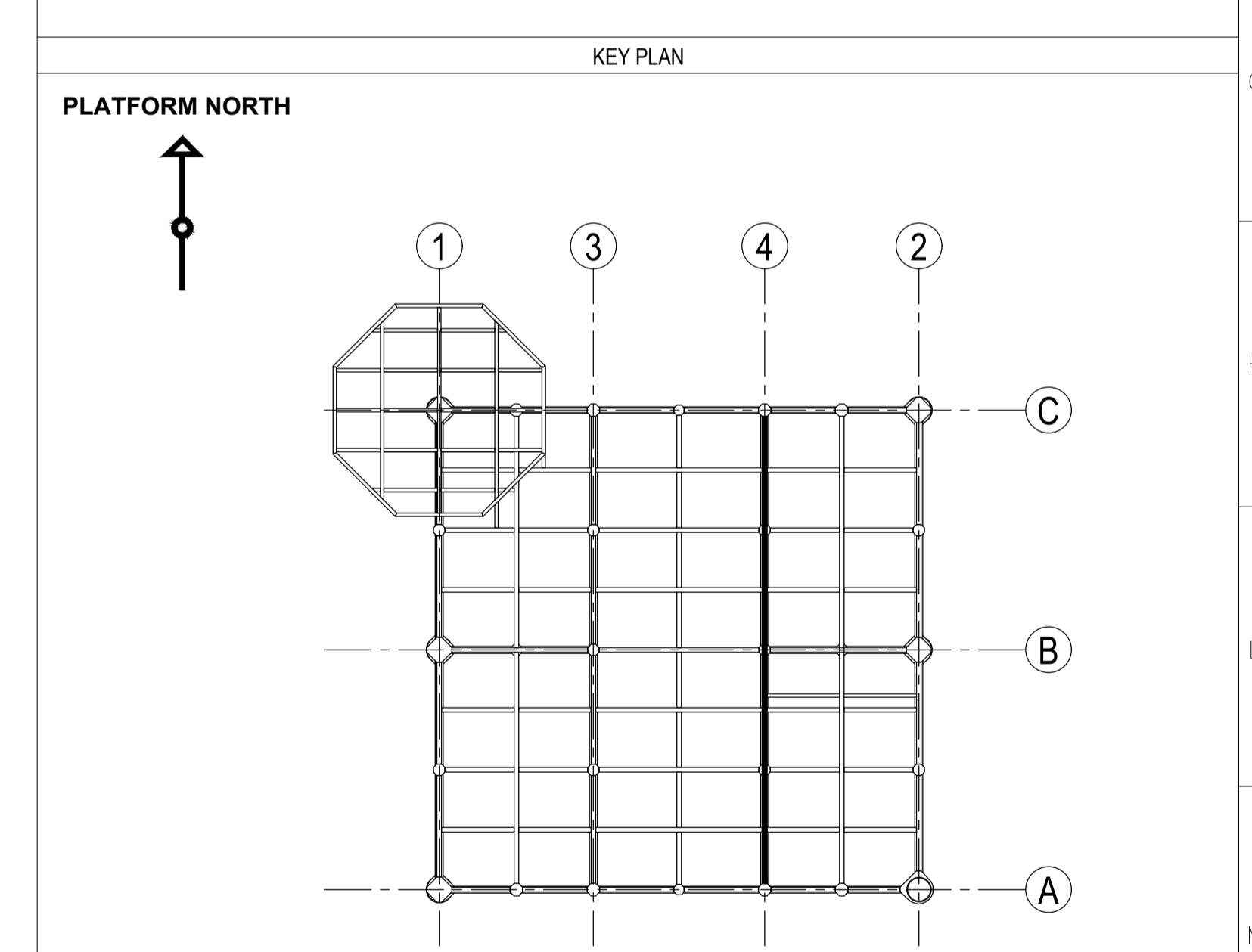




REFERENCE DOCUMENTS		
REF	DOC TAG	DESCRIPTION
1	12085-CDD-100	SUBSTATION 1 - ASSEMBLY - ISOMETRIC VIEW

NOTES

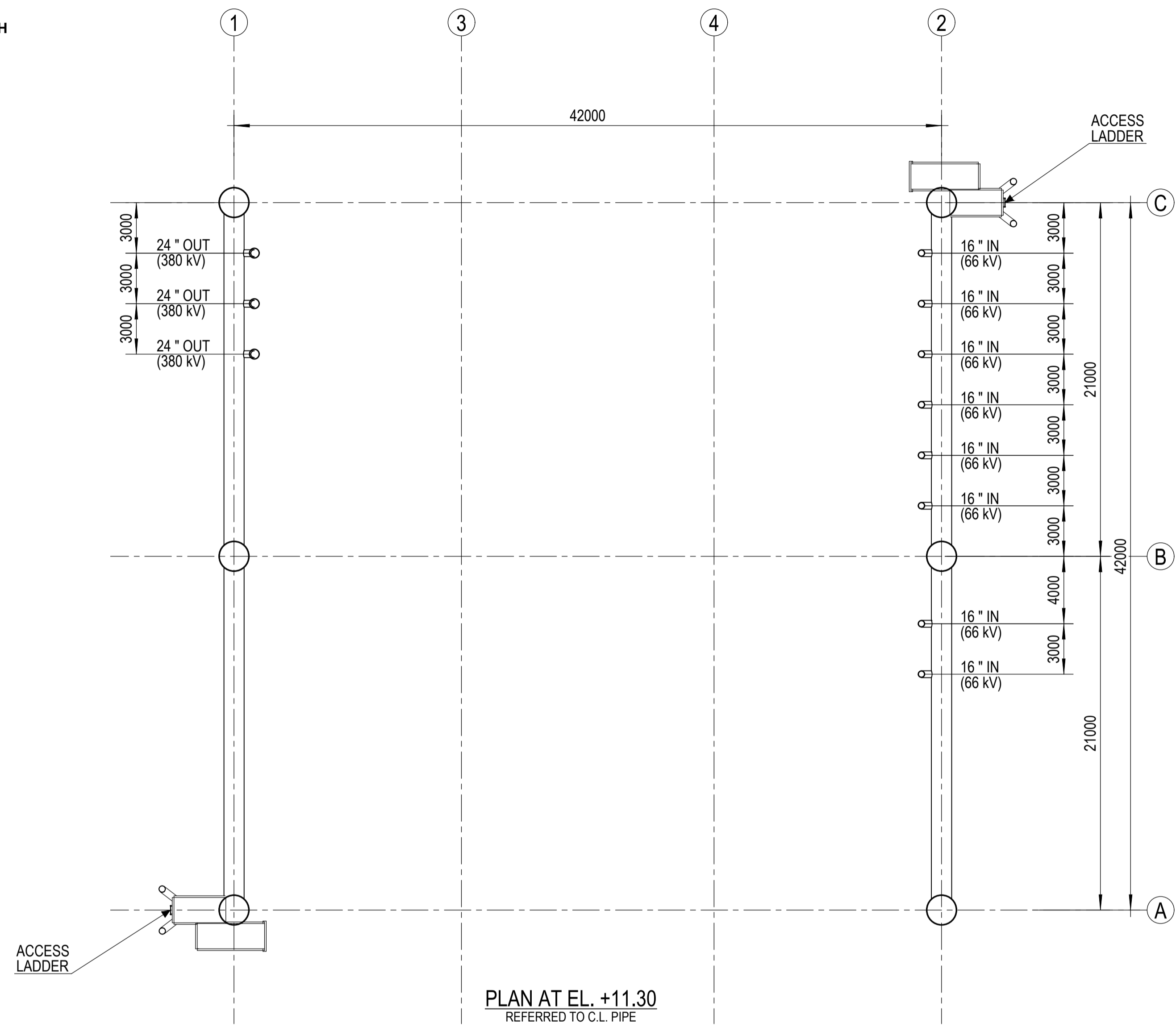
1 - ALL DIMENSIONS ARE IN mm U.N.O.
 2 - ALL ELEVATION ARE IN m REFERRED TO L.A.T.



00	20.07.2023	FM	GP	MT	Firts Issue
Rev.	Date	Created by	Checked by	Approved by	Description
Customer Barium Bay Srl		Project Barium Bay Offshore Substations		Customer Document ID -	
Project ID 12085		Replacing -		Based on -	
Responsible Department -		Created by Fabio Maroni		Checked by Giulio Pascolini	
Approved by Mauro Tavola		Title SUBSTATION 1 TOPSIDES - ROW 4		Document ID 12085-CDD-112	
Rev. 00		Rel. Date 20.07.2023		Page 1/1	

File name: 12085-CDD-112_00.dwg

PLATFORM NORTH



PLAN AT EL. +11.30
REFERRED TO C.L. PIPE

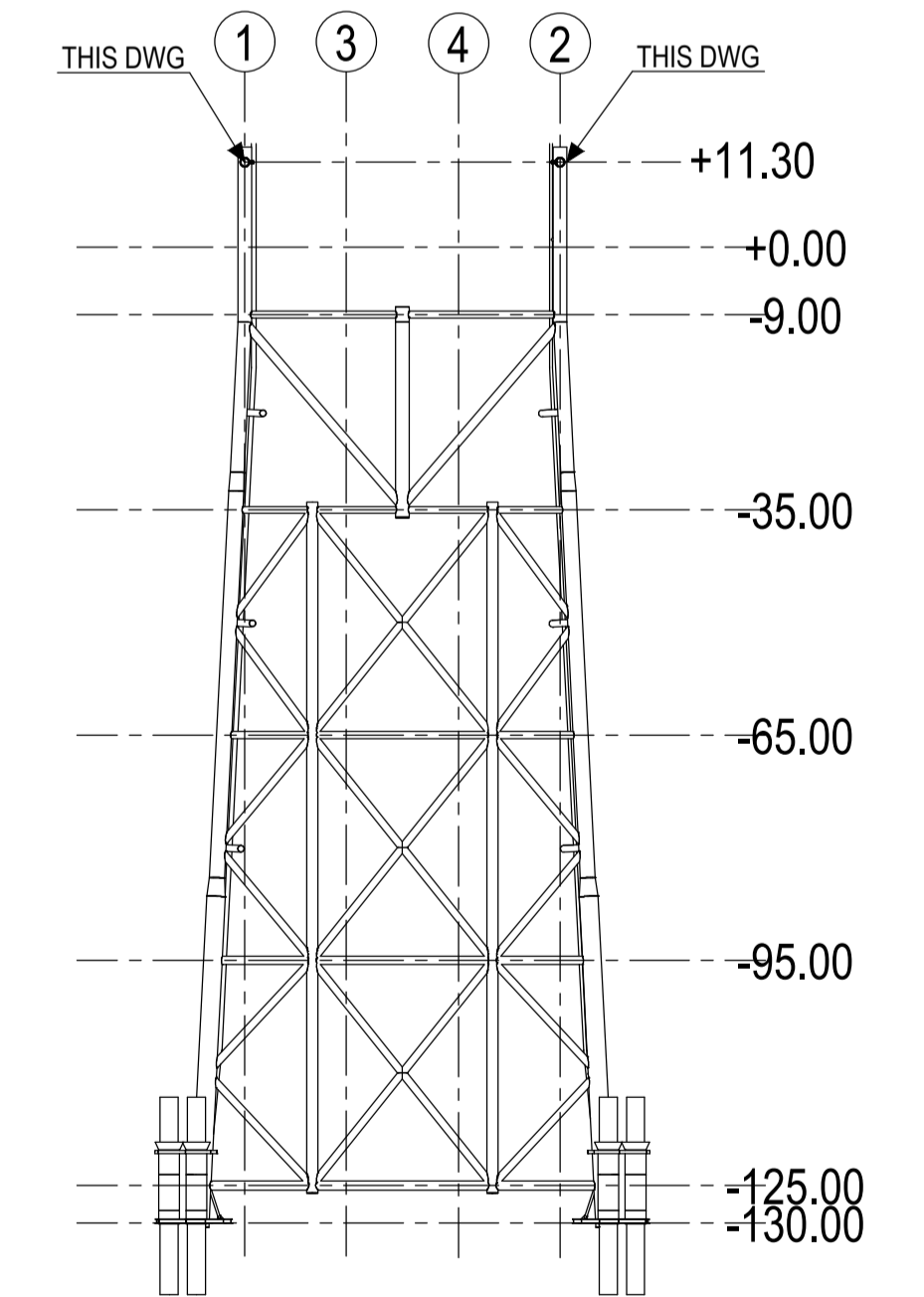
REFERENCE DOCUMENTS

REF	DOC TAG	DESCRIPTION
1	12085-CDD-100	SUBSTATION 1 - ASSEMBLY - ISOMETRIC VIEW

NOTES

- 1 - ALL DIMENSIONS ARE IN mm U.N.O.
- 2 - ALL ELEVATION ARE IN m REFERRED TO L.A.T.

KEY ELEVATION

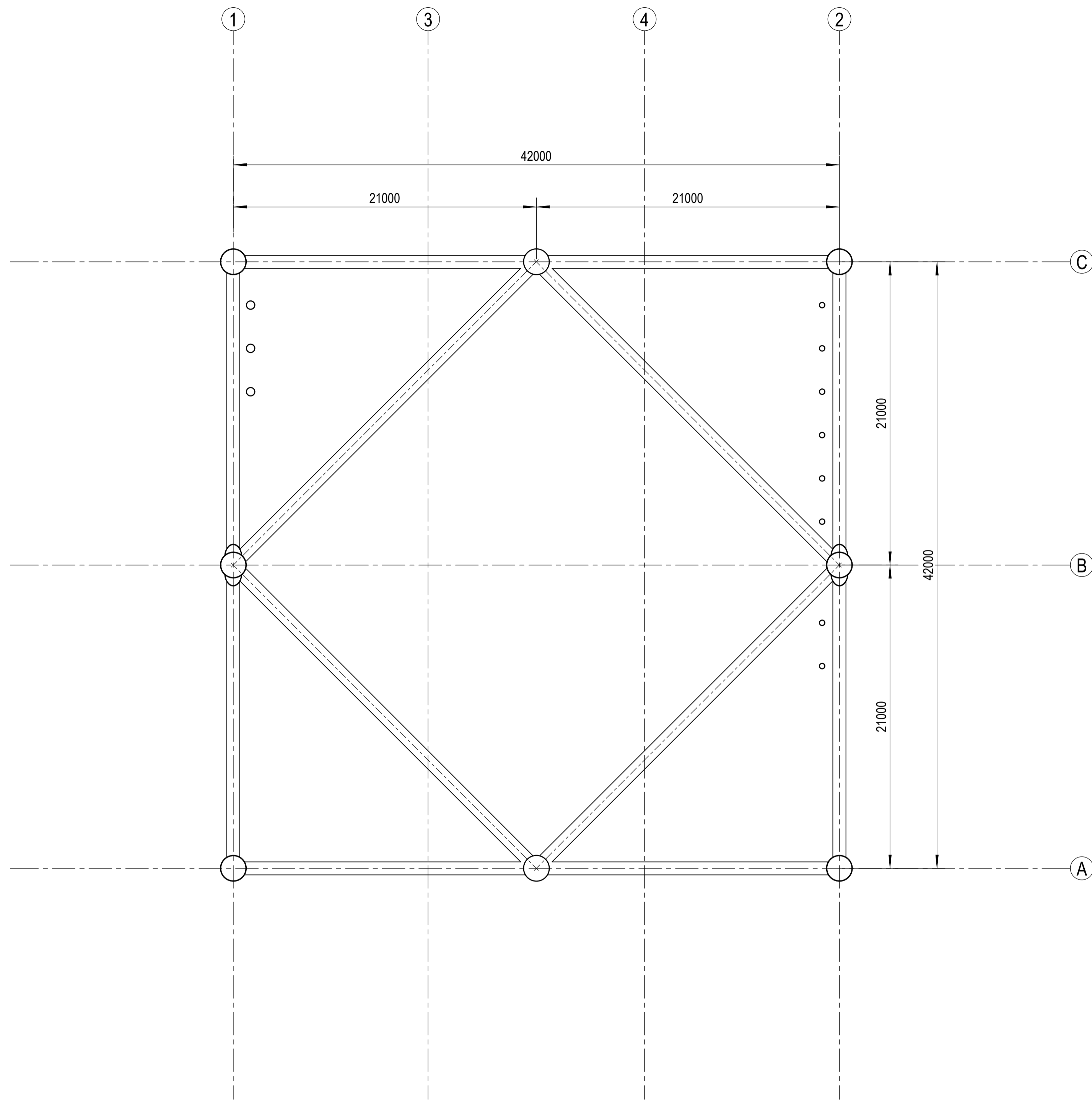


Rev.	Date	Created by	Checked by	Approved by	Description
00	20.07.2023	FM	GP	MT	Firts Issue
Customer		Project		Customer Document ID	
Barium Bay Srl		Barium Bay Offshore Substations		-	
Project ID		Replacing		Based on	
12085		-		-	
Responsible Department		Created by		Checked by	
-		Fabio Maroni		Giulio Pascolini	
Title		Document ID		Scale	
SUBSTATION 1		12085-CDD-113		1:200	
JACKET - PLAN AT EL. +11.30		-		Format	
-		-		A1	
Approved by		Title		Document ID	
Mauro Tavola		-		-	
Rev.		Rel. Date		Page	
00		20.07.2023		1/1	

File name: 12085-CDD-113_00.dwg



PLATFORM NORTH



PLAN AT EL. -9.00
REFERRED TO C.L. PIPE

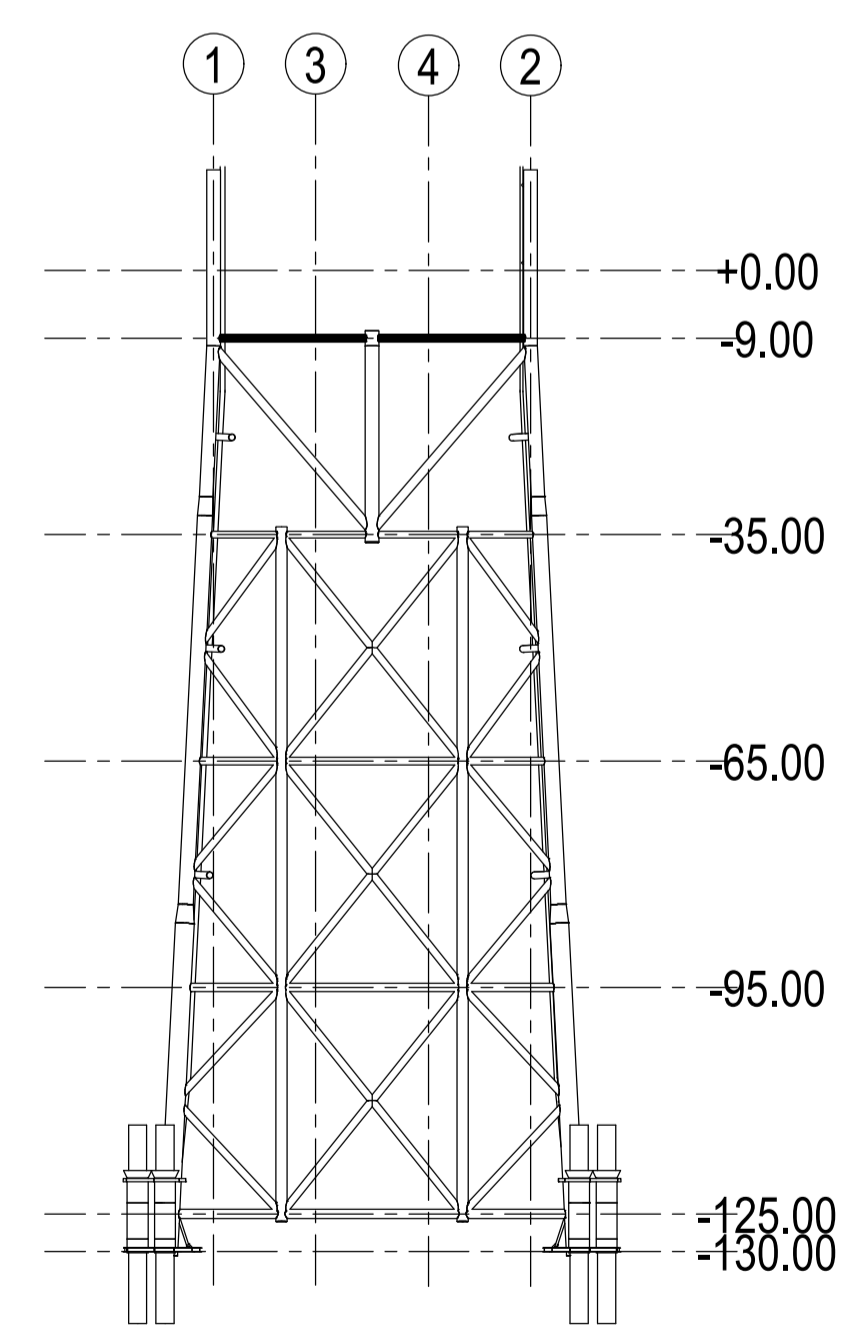
REFERENCE DOCUMENTS

REF	DOC TAG	DESCRIPTION
1	12085-CDD-100	SUBSTATION 1 - ASSEMBLY - ISOMETRIC VIEW

NOTES

- 1 - ALL DIMENSIONS ARE IN mm U.N.O.
- 2 - ALL ELEVATION ARE IN m REFERRED TO L.A.T.

KEY ELEVATION

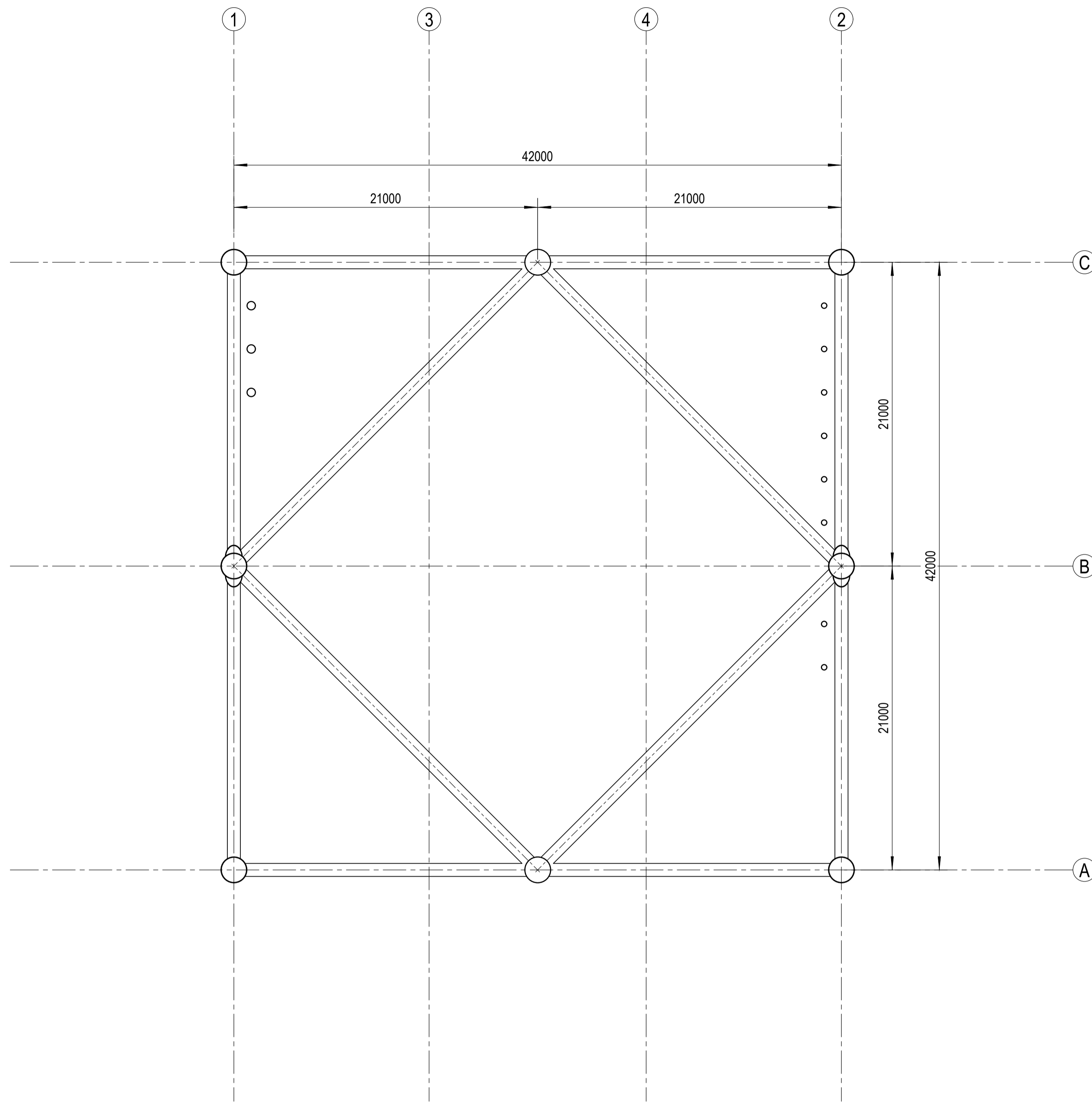


Rev.	Date	Created by	Checked by	Approved by	Description
00	20.07.2023	FM	GP	MT	Firts Issue
Customer		Project		Customer Document ID	
Barium Bay Srl		Barium Bay Offshore Substations		-	
Project ID		Replacing		Based on	
12085		-		-	
Responsible Department		Created by		Checked by	
-		Fabio Maroni		Giulio Pascolini	
Title		Document ID		Scale	
SUBSTATION 1		12085-CDD-114		1:200	
JACKET - PLAN AT EL. -9.00		-		Format	
-		-		A1	
Approved by		Approved by		Approved by	
Mauro Tavola		Mauro Tavola		Mauro Tavola	
Title		Document ID		Rev.	
-		-		00	
-		-		Rel. Date	
-		-		20.07.2023	
-		-		Page	
-		-		1/1	

File name: 12085-CDD-114_00.dwg



PLATFORM NORTH



PLAN AT EL. -9.00
REFERRED TO C.L. PIPE

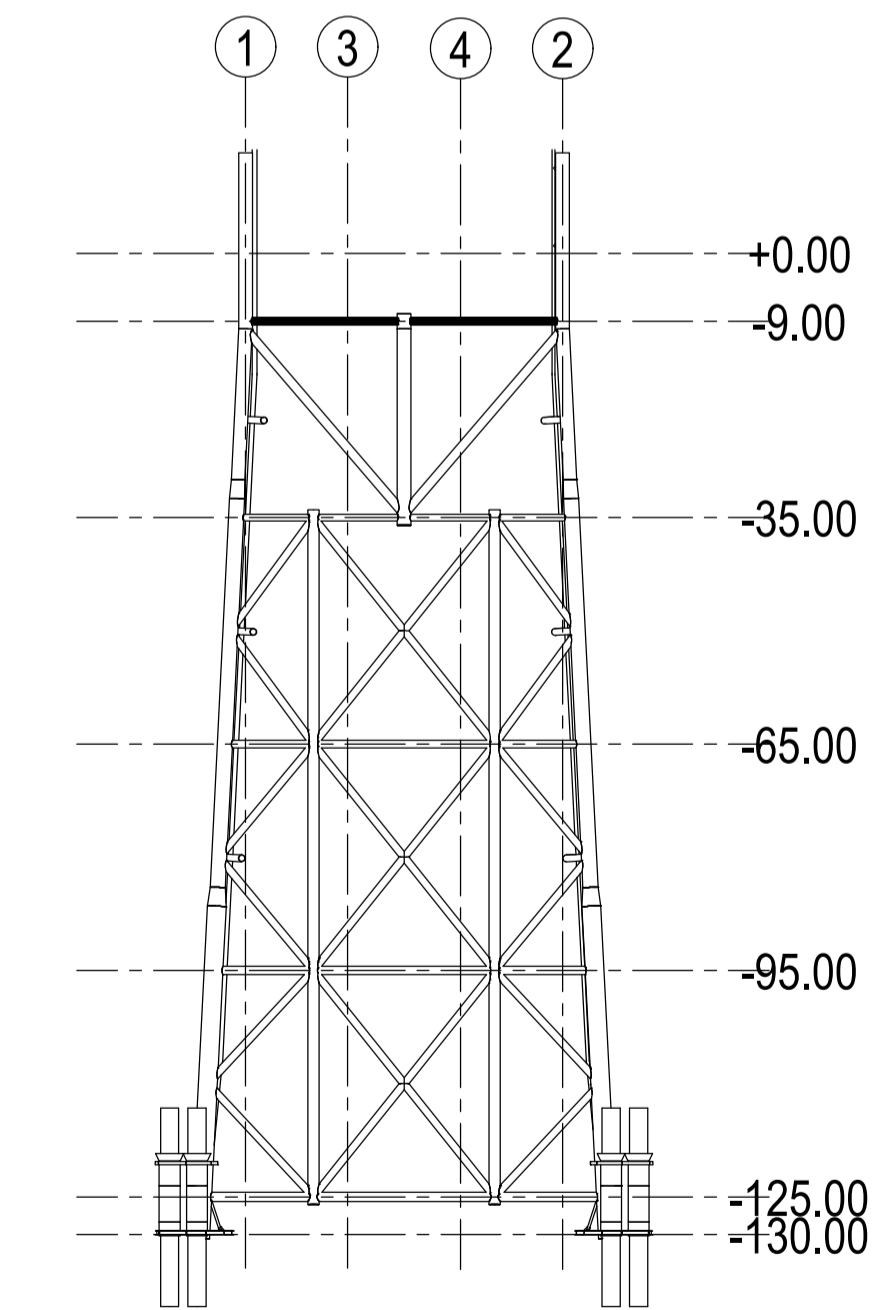
REFERENCE DOCUMENTS

REF	DOC TAG	DESCRIPTION
1	12085-CDD-100	SUBSTATION 1 - ASSEMBLY - ISOMETRIC VIEW

NOTES

- 1 - ALL DIMENSIONS ARE IN mm U.N.O.
- 2 - ALL ELEVATION ARE IN m REFERRED TO L.A.T.

KEY ELEVATION



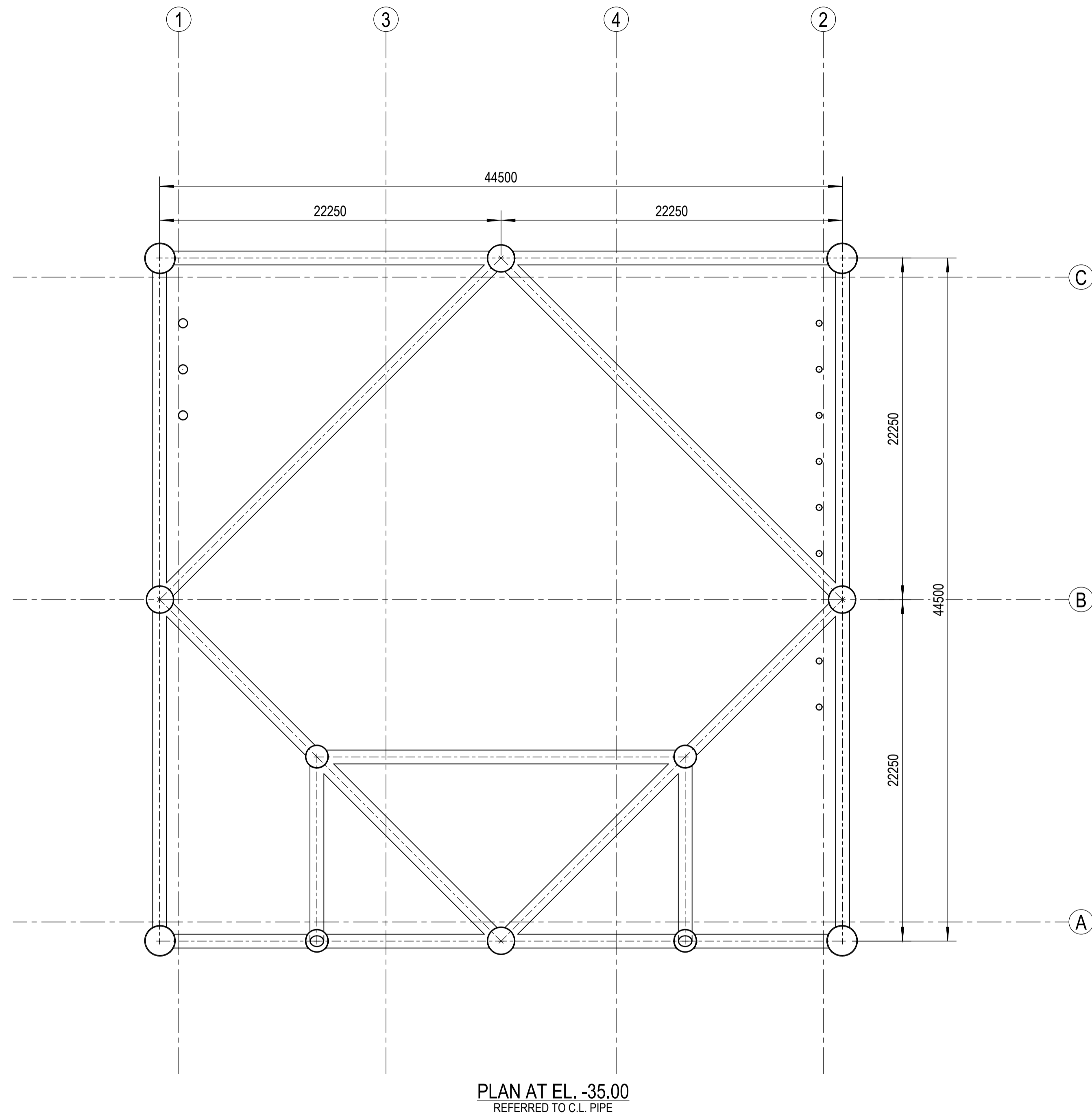
Rev.	Date	Created by	Checked by	Approved by	Description
00	20.07.2023	FM	GP	MT	Firts Issue
Customer		Project		Customer Document ID	
Barium Bay Srl		Barium Bay Offshore Substations		-	
Project ID		Replacing		Based on	
12085		-		-	
Responsible Department		Created by		Checked by	
-		Fabio Maroni		Giulio Pascolini	
Title		Document ID		Scale	
SUBSTATION 1		12085-CDD-114		1:200	
JACKET - PLAN AT EL. -9.00		-		Format	
KKS-NO.: -		-		A1	
Rev.		Rel. Date		Page	
00		20.07.2023		1/1	

File name: 12085-CDD-114_00.dwg



Mod. UNI - AT/20

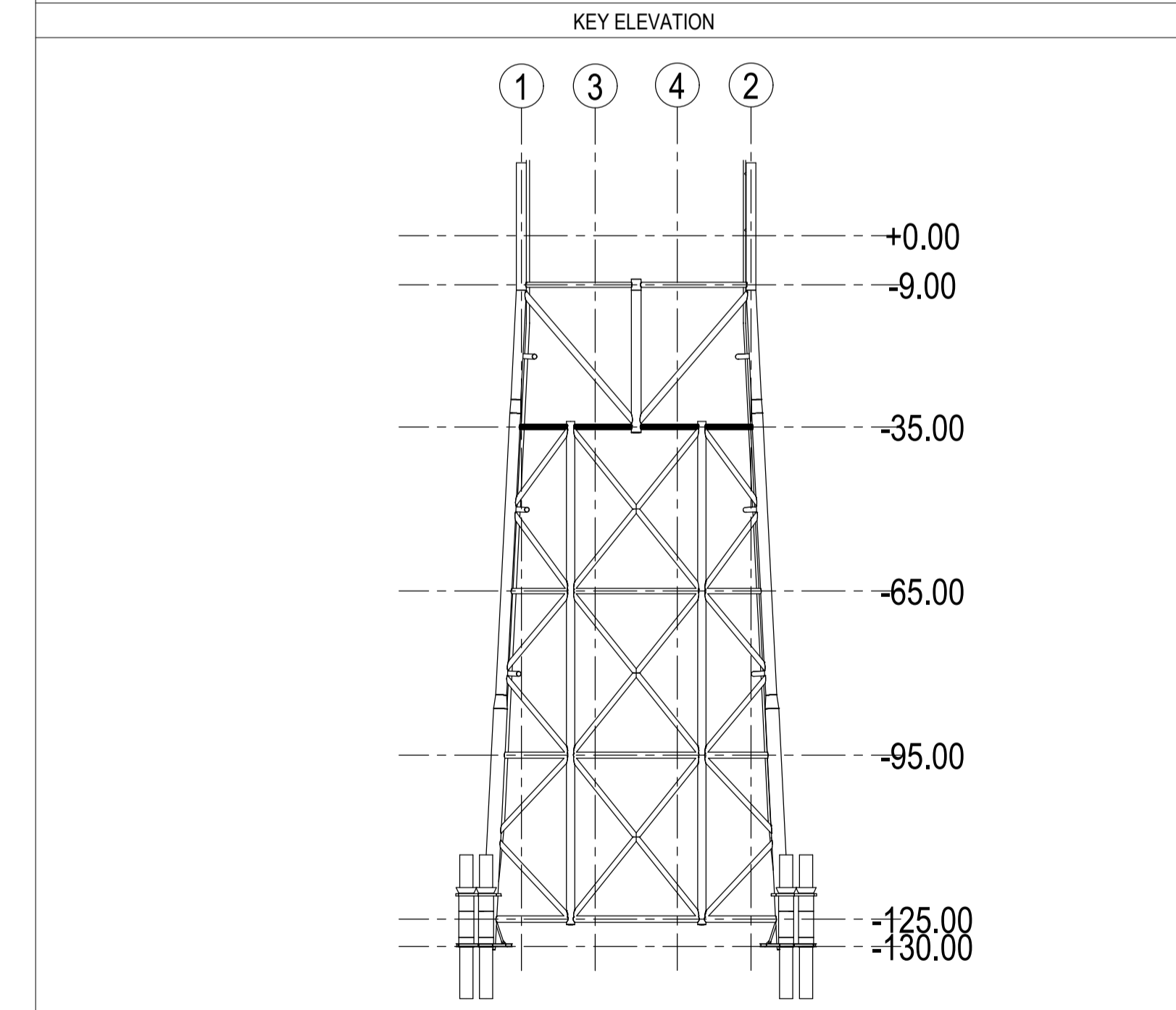
PLATFORM NORTH



REFERENCE DOCUMENTS		
REF	DOC TAG	DESCRIPTION
1	12085-CDD-100	SUBSTATION 1 - ASSEMBLY - ISOMETRIC VIEW

NOTES

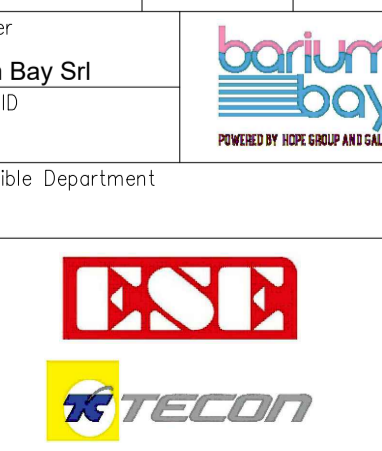
1 - ALL DIMENSIONS ARE IN mm U.N.O.
 2 - ALL ELEVATION ARE IN m REFERRED TO L.A.T.



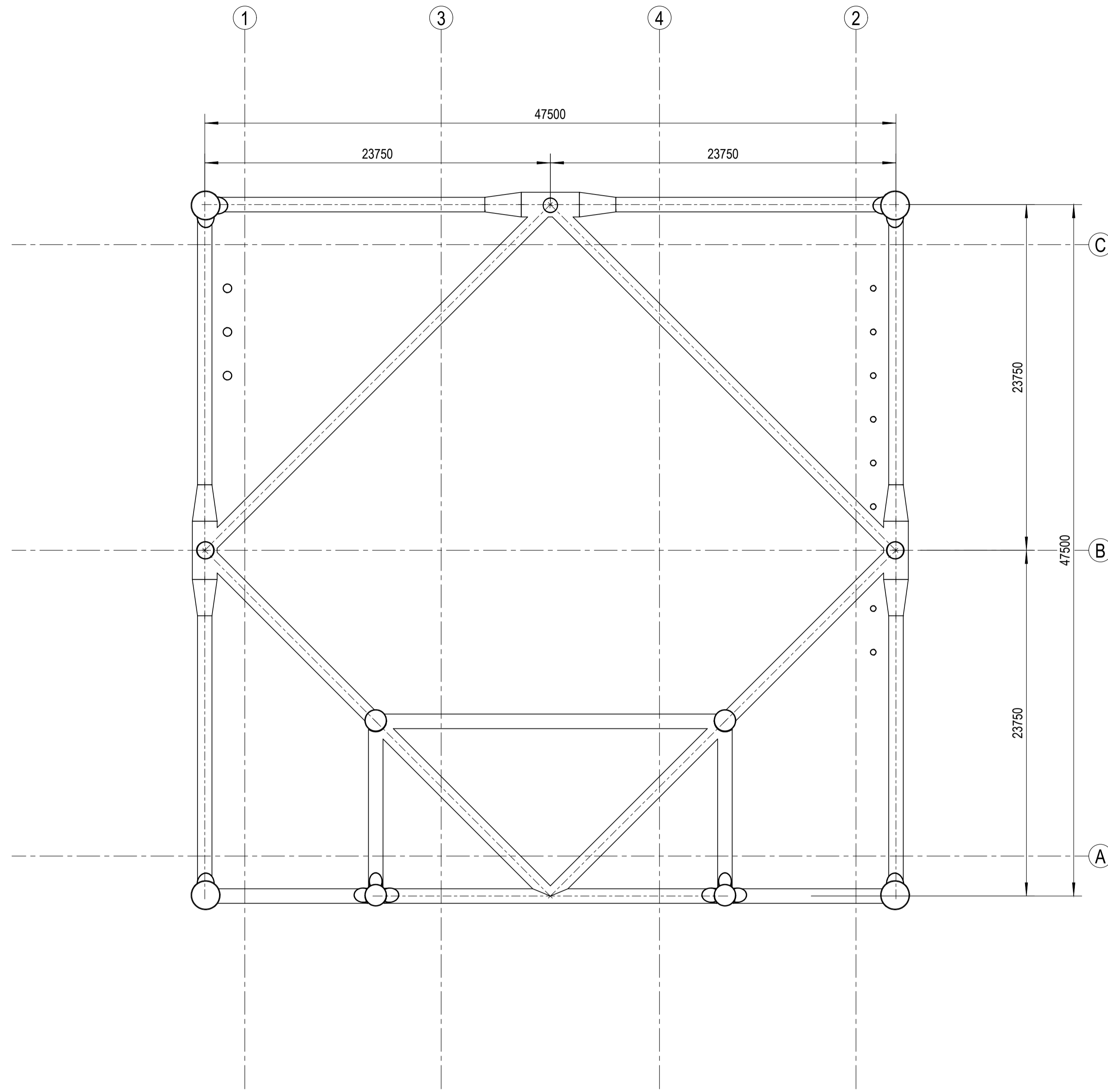
Rev.	Date	Created by	Checked by	Approved by	Description
00	20.07.2023	FM	GP	MT	Firts Issue

Customer	Project	Customer Document ID
Barium Bay Srl	Barium Bay Offshore Substations	-
Project ID	Replacing	Based on
12085	-	-
Responsible Department	Created by	Checked by
-	Fabio Maroni	Giulio Pascolini
	Approved by	Document ID
	Mauro Tavola	12085-CDD-115
Title		Rev.
SUBSTATION 1		Rel. Date
JACKET - PLAN AT EL. -35.00		Page
KKS-NO.: -		00
		20.07.2023
		1/1

File name: 12085-CDD-115_00.dwg



PLATFORM NORTH



PLAN AT EL. -65.00
REFERRED TO C.L. PIPE

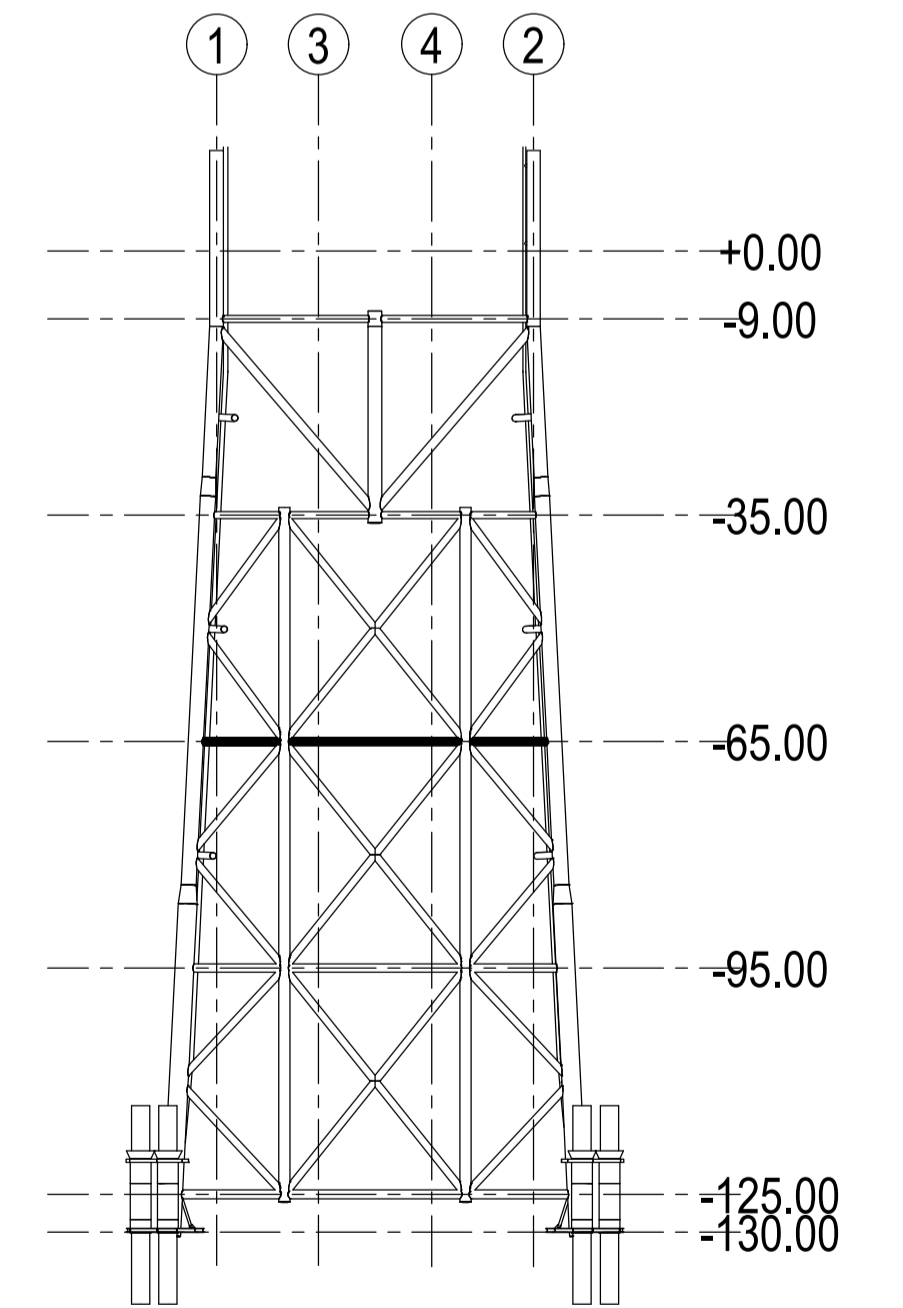
REFERENCE DOCUMENTS

REF	DOC TAG	DESCRIPTION
1	12085-CDD-100	SUBSTATION 1 - ASSEMBLY - ISOMETRIC VIEW

NOTES

- 1 - ALL DIMENSIONS ARE IN mm U.N.O.
- 2 - ALL ELEVATION ARE IN m REFERRED TO L.A.T.

KEY ELEVATION

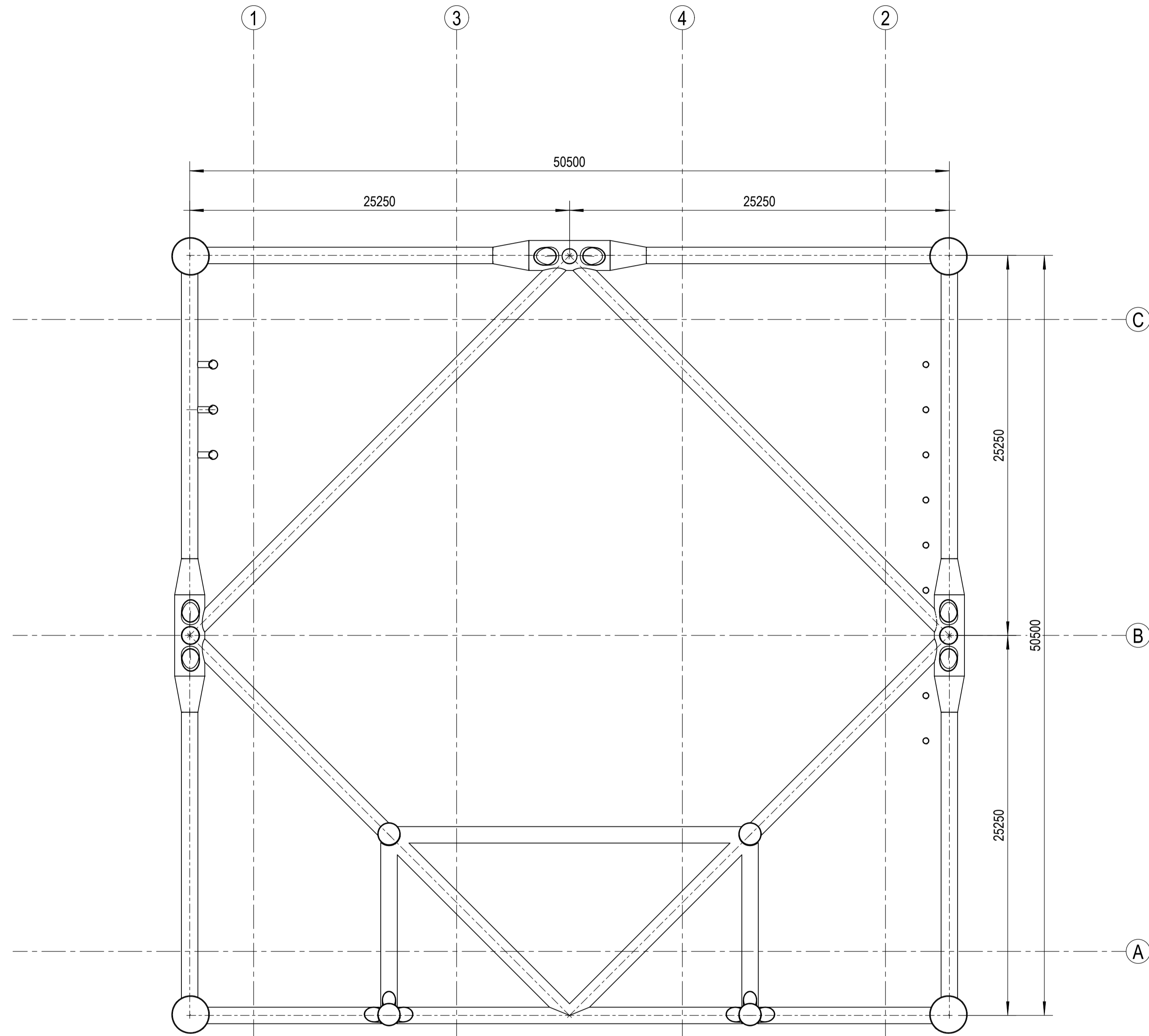


Rev.	Date	Created by	Checked by	Approved by	Description
00	20.07.2023	FM	GP	MT	Firts Issue
Customer		Project		Customer Document ID	
Barium Bay Srl		Barium Bay Offshore Substations		-	
Project ID		Replacing		Based on	
12085		-		-	
Responsible Department		Created by		Checked by	
-		Fabio Maroni		Giulio Pascolini	
Title		Document ID		Scale	
SUBSTATION 1		12085-CDD-116		1:200	
JACKET - PLAN AT EL. -65.00		-		Format	
KKS-NO.: -		-		A1	
Approved by		Approved by		Page	
Mauro Tavola		Mauro Tavola		1/1	

File name: 12085-CDD-116_00.dwg



PLATFORM NORTH



PLAN AT EL. -95.00
REFERRED TO C.L. PIPE

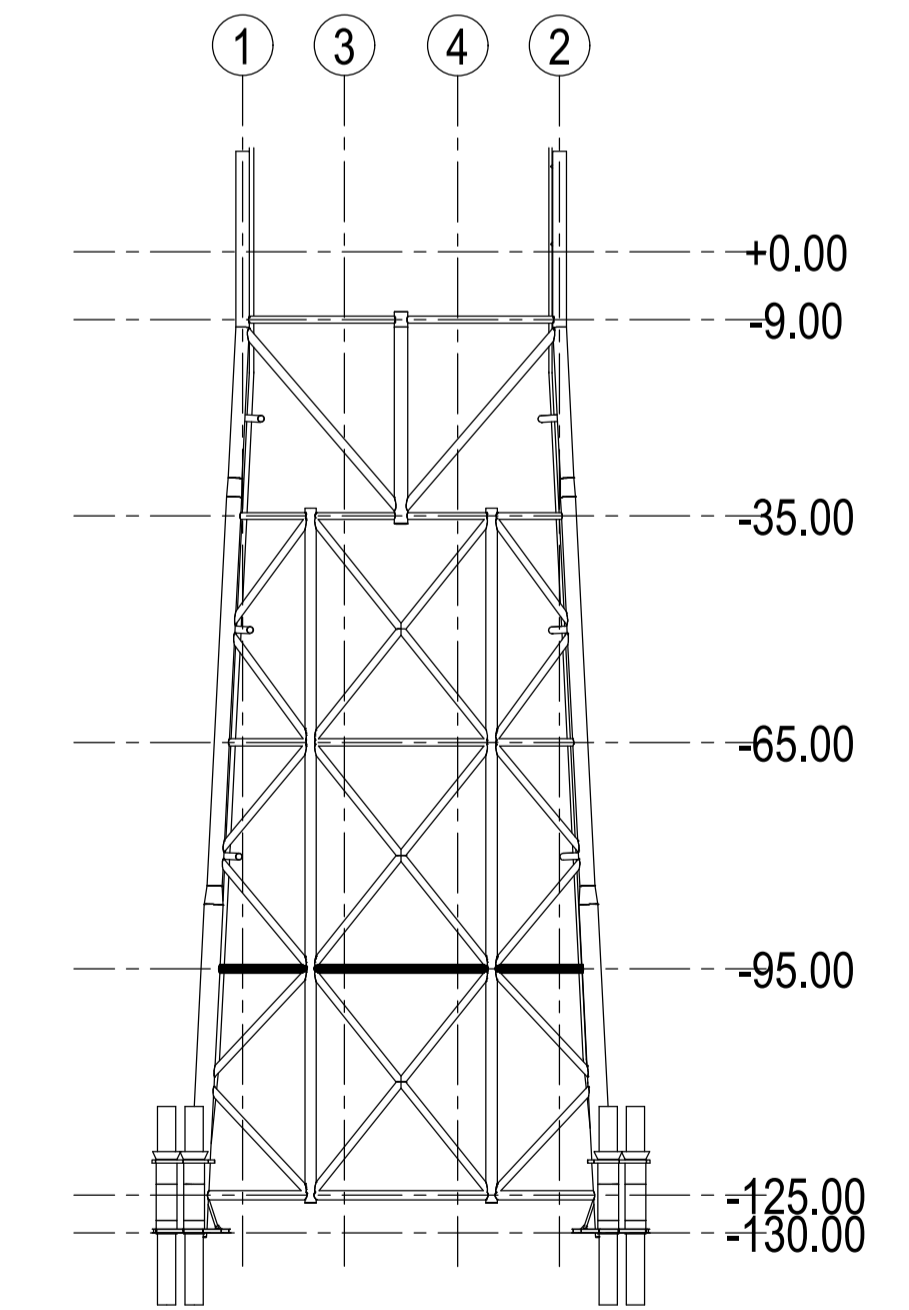
REFERENCE DOCUMENTS

REF	DOC TAG	DESCRIPTION
1	12085-CDD-100	SUBSTATION 1 - ASSEMBLY - ISOMETRIC VIEW

NOTES

- 1 - ALL DIMENSIONS ARE IN mm U.N.O.
- 2 - ALL ELEVATION ARE IN m REFERRED TO L.A.T.

KEY ELEVATION

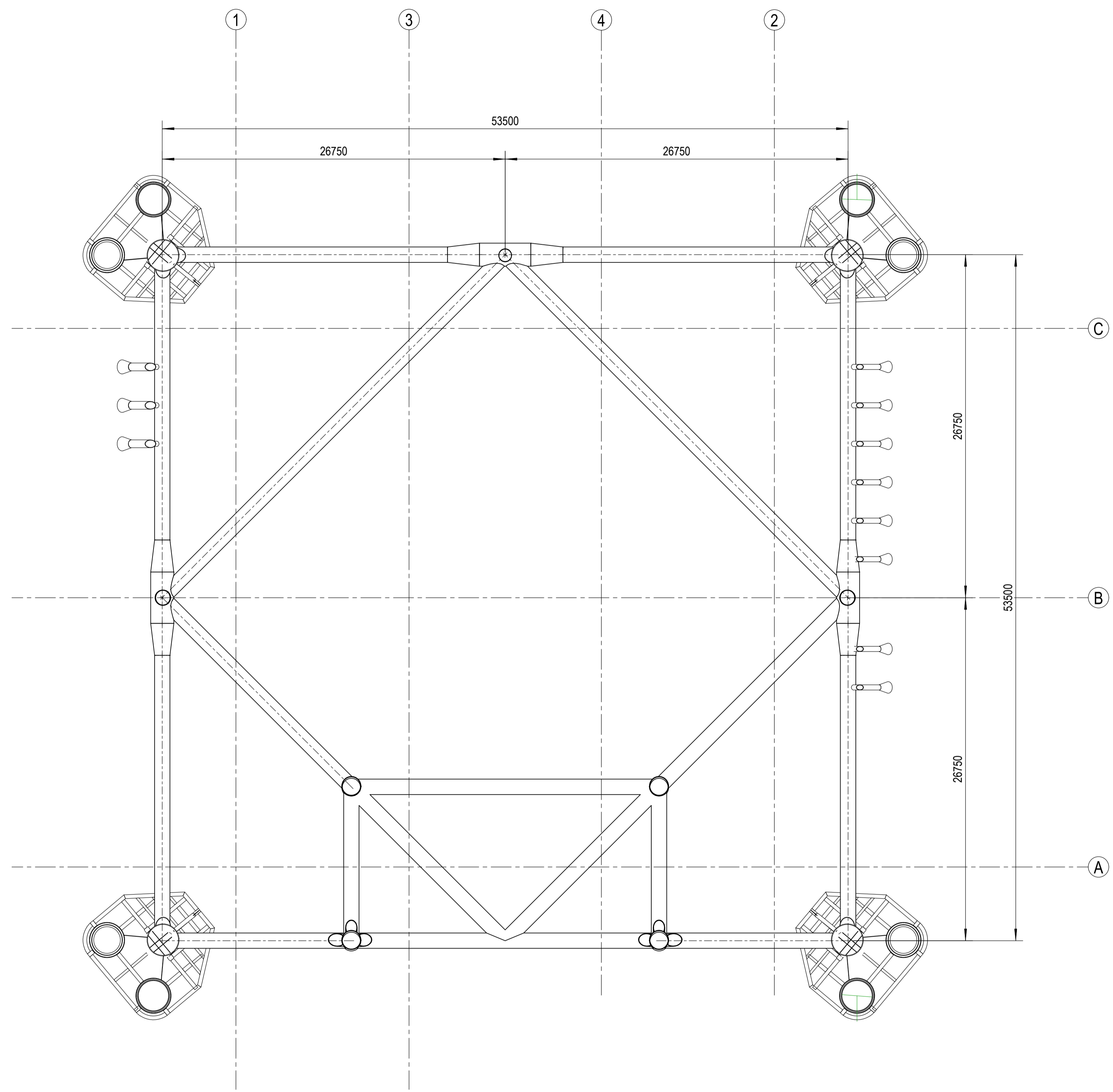
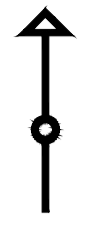


Rev.	Date	Created by	Checked by	Approved by	Description
00	20.07.2023	FM	GP	MT	Firts Issue
Customer		Project		Customer Document ID	
Barium Bay Srl		Barium Bay Offshore Substations		-	
Project ID		Replacing		Based on	
12085		-		-	
Responsible Department		Created by		Checked by	
-		Fabio Maroni		Giulio Pascolini	
Title		Document ID		Scale	
SUBSTATION 1		12085-CDD-117		1:200	
JACKET - PLAN AT EL. -95.00		-		Format	
-		-		A1	
Approved by		Approved by		Approved by	
-		Mauro Tavola		-	
Title		Document ID		Rev.	
-		-		00	
-		-		Rel. Date	
-		-		20.07.2023	
-		-		Page	
-		-		1/1	

File name: 12085-CDD-117_00.dwg



PLATFORM NORTH

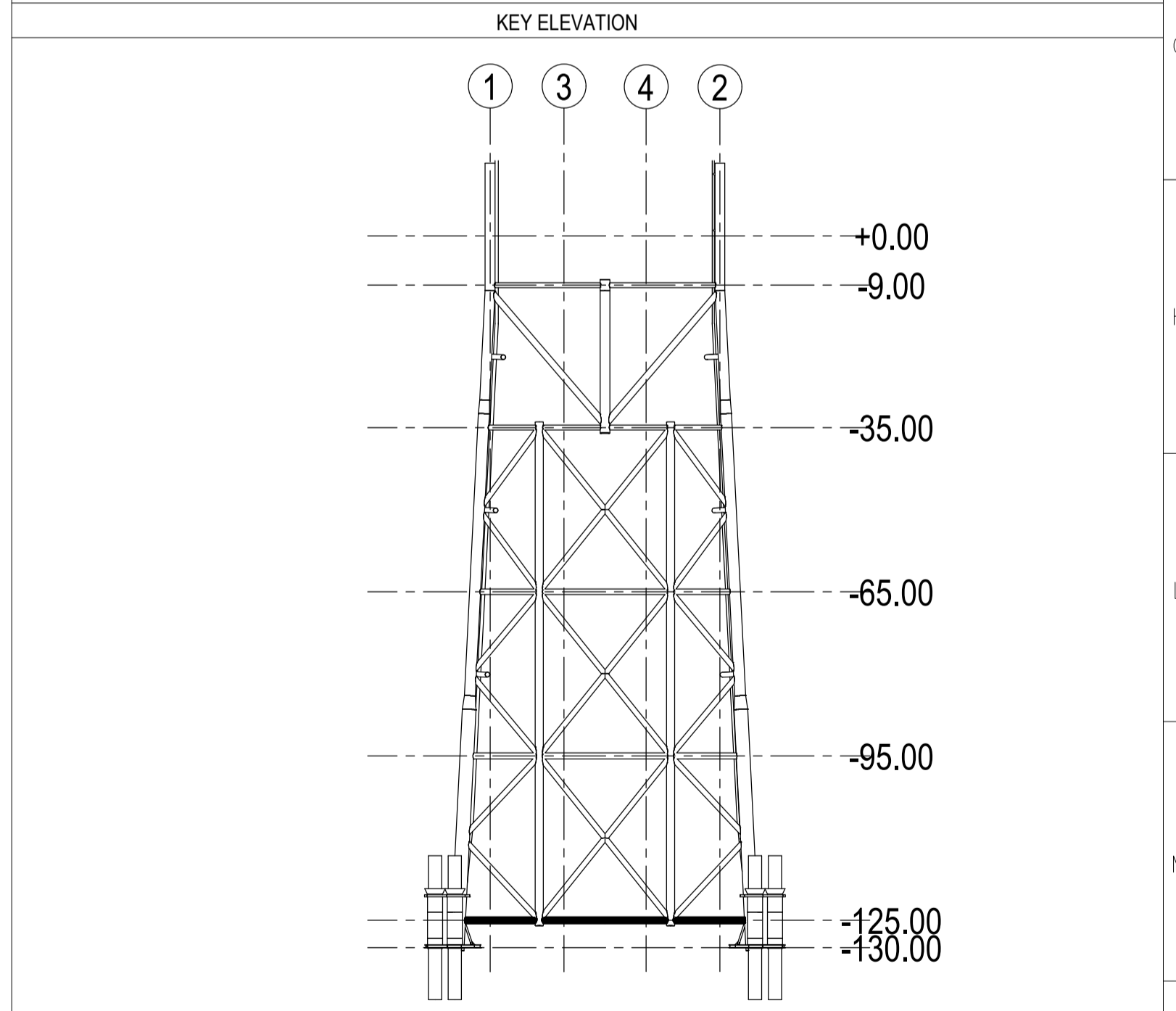


PLAN AT EL. -125.00
REFERRED TO C.L. PIPE

REFERENCE DOCUMENTS		
REF	DOC TAG	DESCRIPTION
1	12085-CDD-100	SUBSTATION 1 - ASSEMBLY - ISOMETRIC VIEW

NOTES

1 - ALL DIMENSIONS ARE IN mm U.N.O.
2 - ALL ELEVATION ARE IN m REFERRED TO L.A.T.



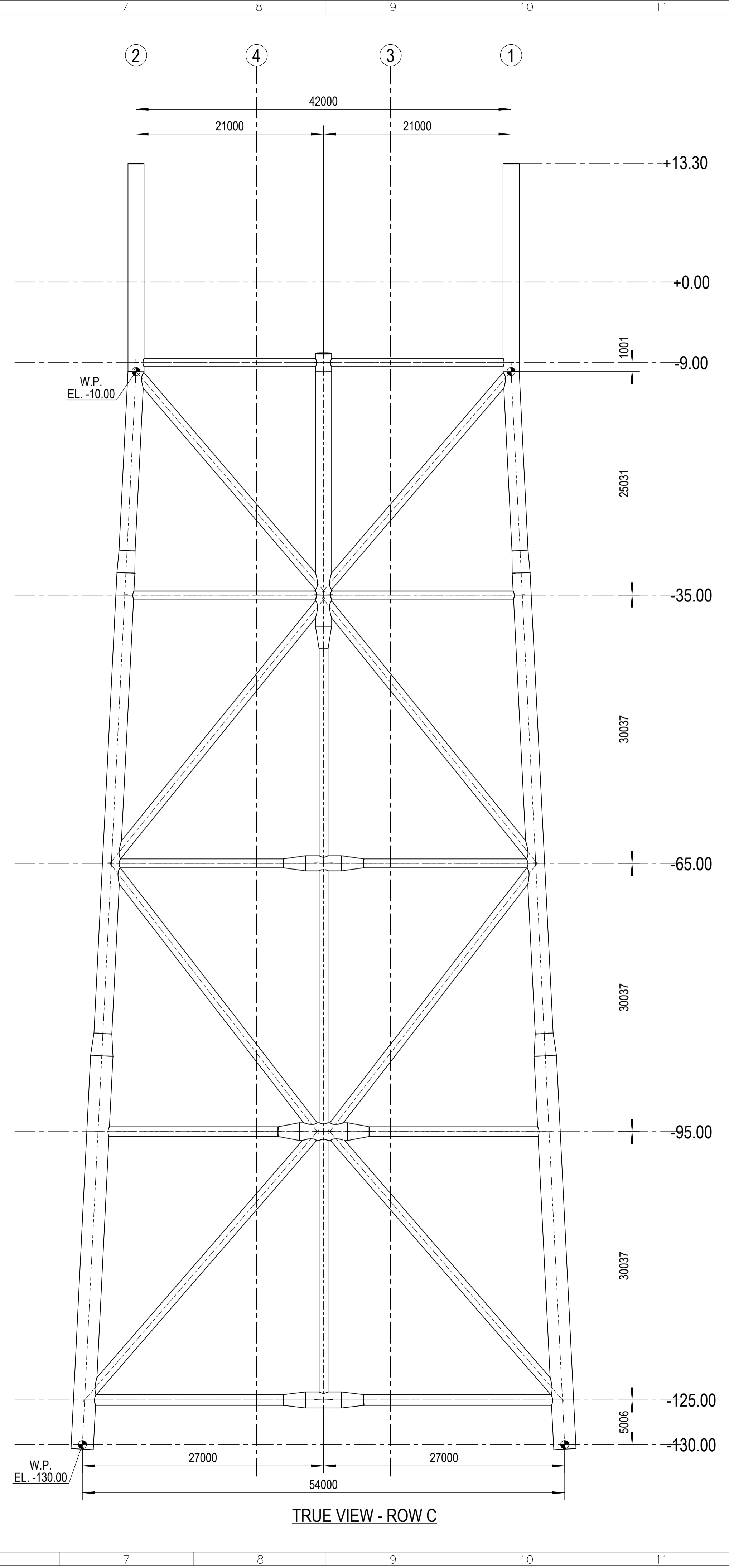
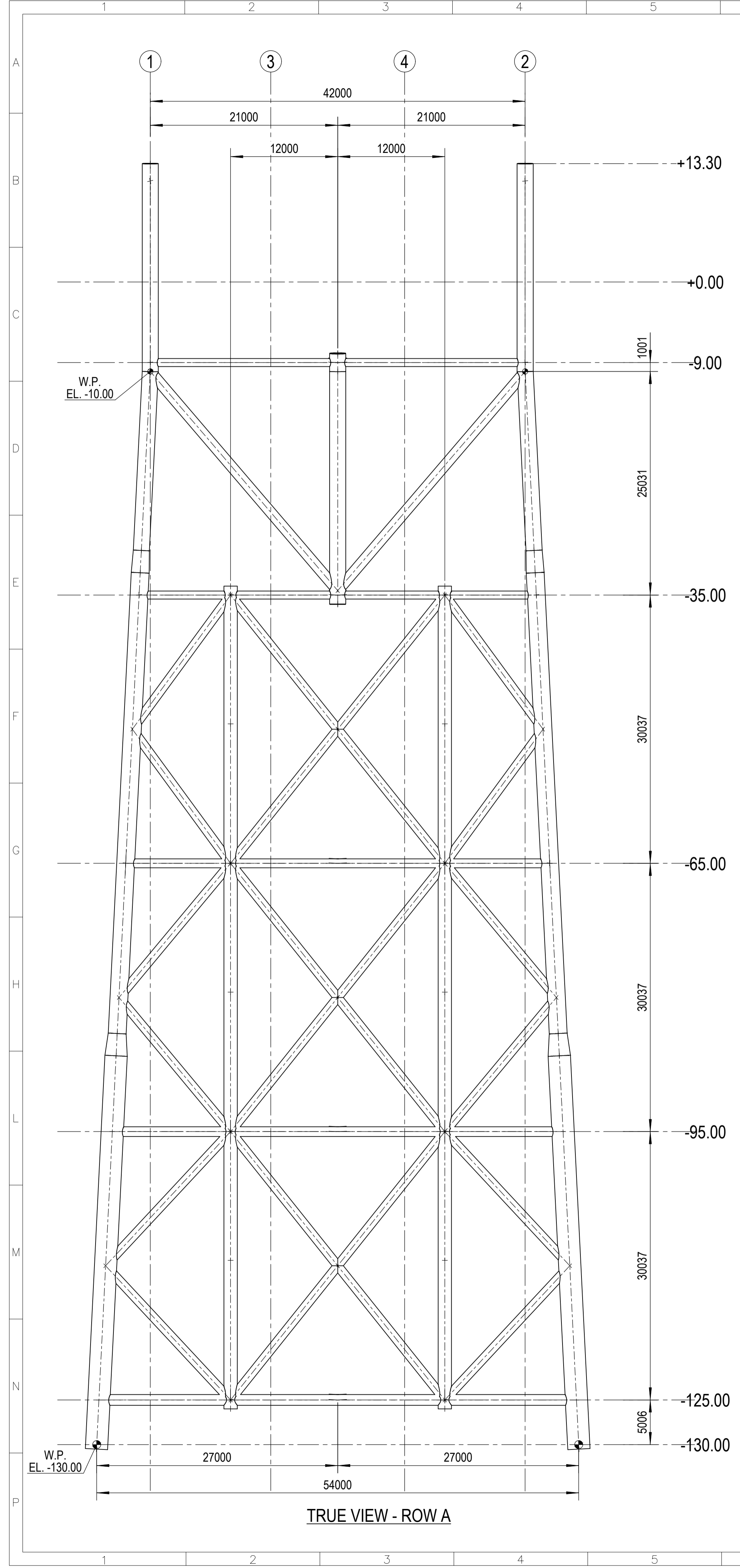
Rev.	Date	Created by	Checked by	Approved by	Description
00	20.07.2023	FM	GP	MT	Firts Issue

Customer	Project	Customer Document ID
Barium Bay Srl	Barium Bay Offshore Substations	-
Project ID	Replacing	Based on
12085	-	-
Responsible Department	Created by	Checked by
-	Fabio Maroni	Giulio Pascolini
	Approved by	Document ID
	Mauro Tavola	12085-CDD-118
	Title	Rev.
	SUBSTATION 1	Rel. Date
	JACKET - PLAN AT EL. -125.00	Page
	KKS-NO.: -	00
		20.07.2023
		1/1

File name: 12085-CDD-118_00.dwg



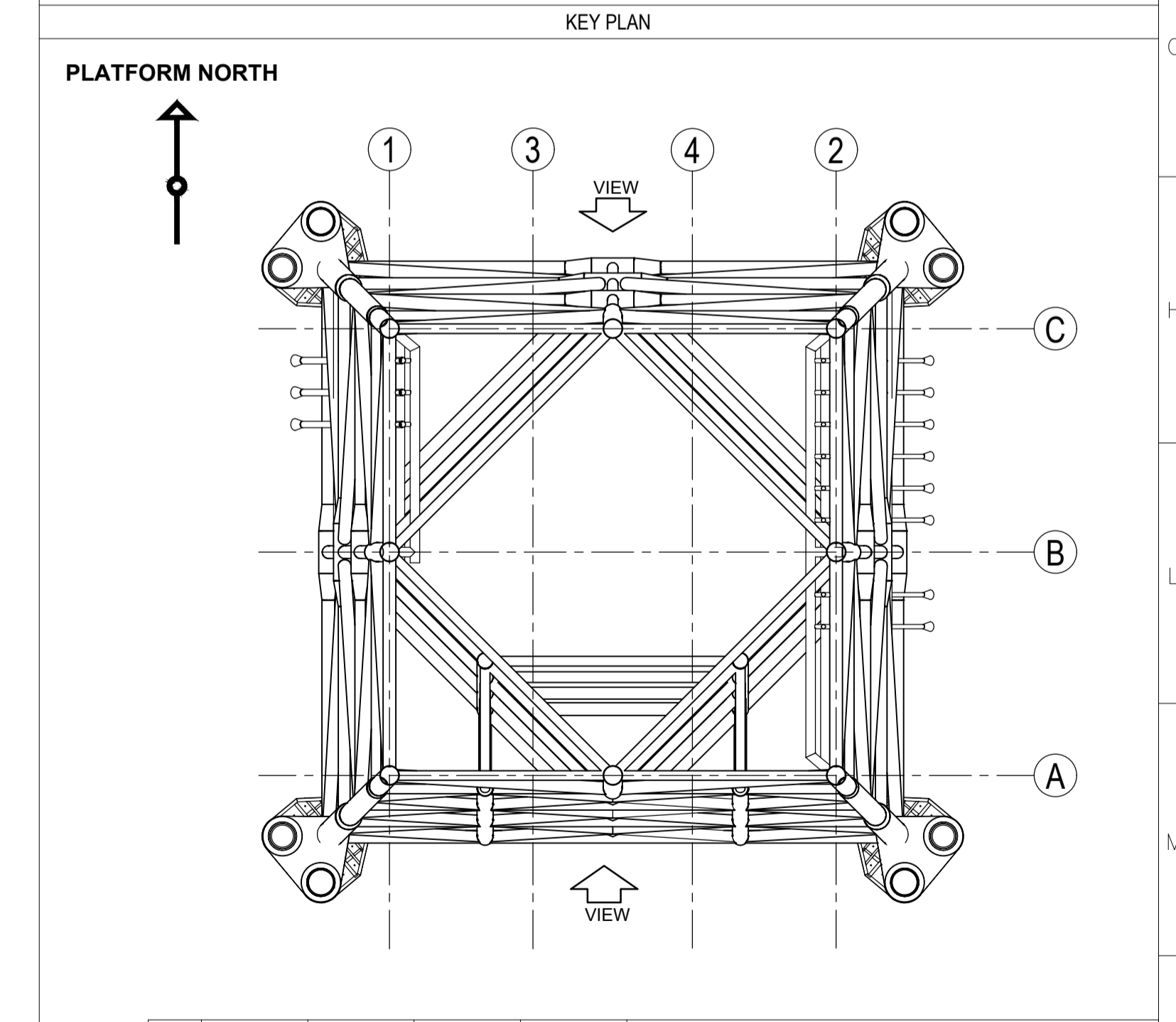
Mod. UNI - AT/0



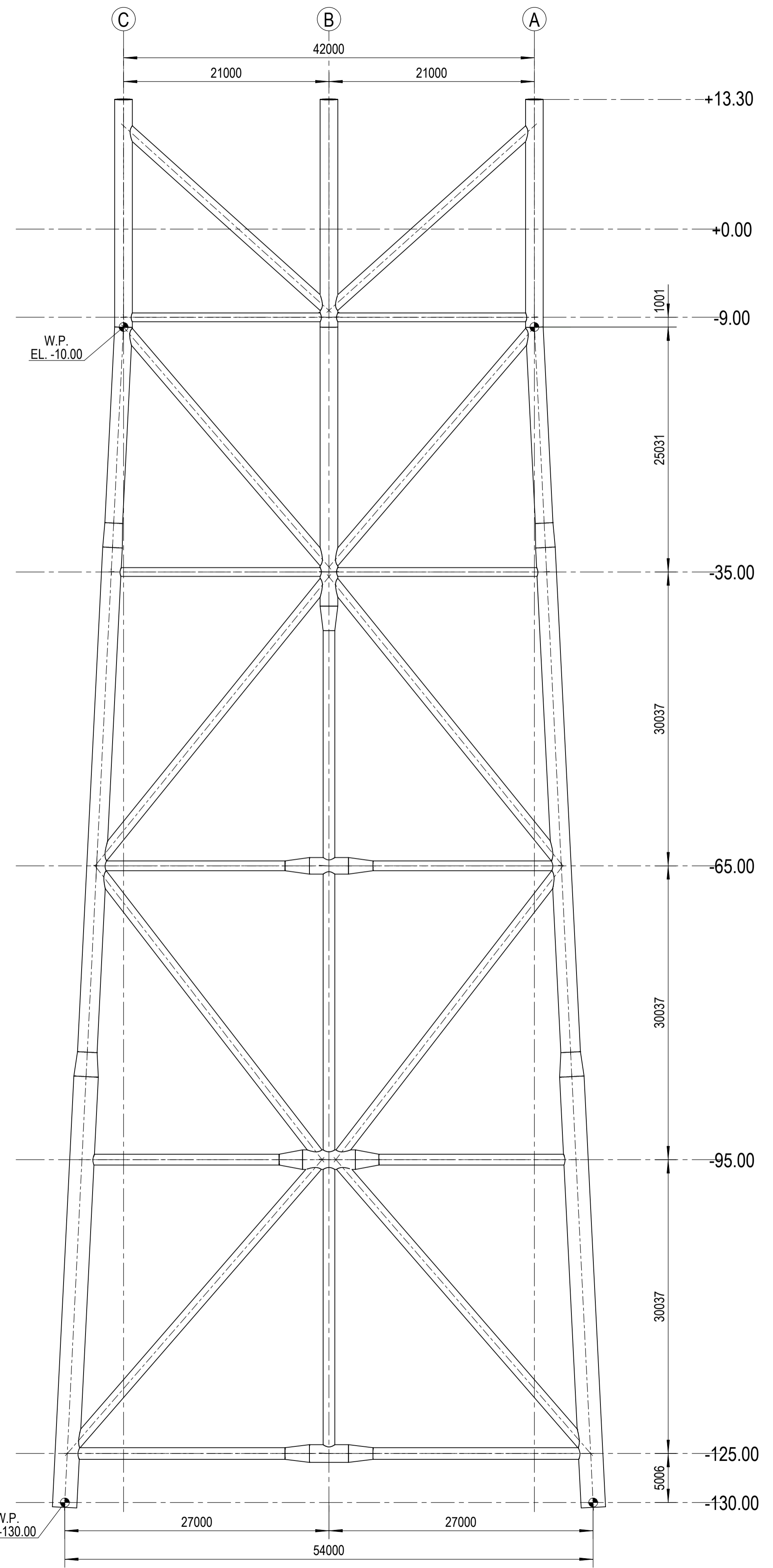
REFERENCE DOCUMENTS		
REF	DOC TAG	DESCRIPTION
1	12085-CDD-100	SUBSTATION 1 - ASSEMBLY - ISOMETRIC VIEW

NOTES

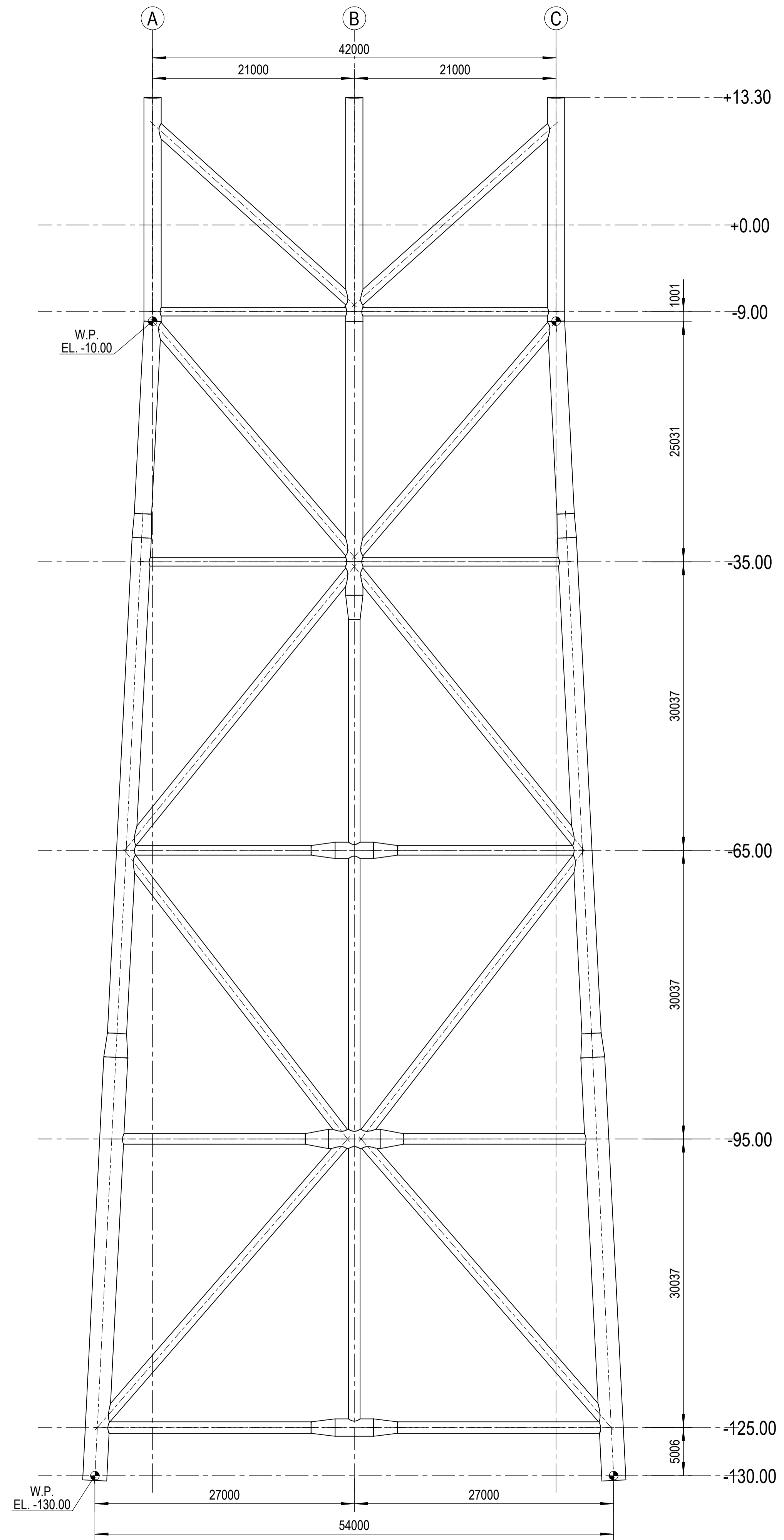
1 - ALL DIMENSIONS ARE IN mm U.N.O.
 2 - ALL ELEVATION ARE IN m REFERRED TO L.A.T.



00	20.07.2023	FM	GP	MT	Firts Issue
Rev.	Date	Created by	Checked by	Approved by	Description
Customer		Project		Customer Document ID	
Barium Bay Sri		Barium Bay Offshore Substations		-	
Project ID		Replacing		Based on	
12085		-		-	
Responsible Department		Created by		Checked by	
-		Fabio Maroni		Giulio Pascolini	
Approved by		Title		Document ID	
Mauro Tavola		SUBSTATION 1		12085-CDD-119	
-		JACKET - TRUE VIEW ROW A - C		Rev.	
-		KKS-NO: -		20.07.2023	
-		-		Page	
-		-		1/1	



TRUE VIEW - ROW 1



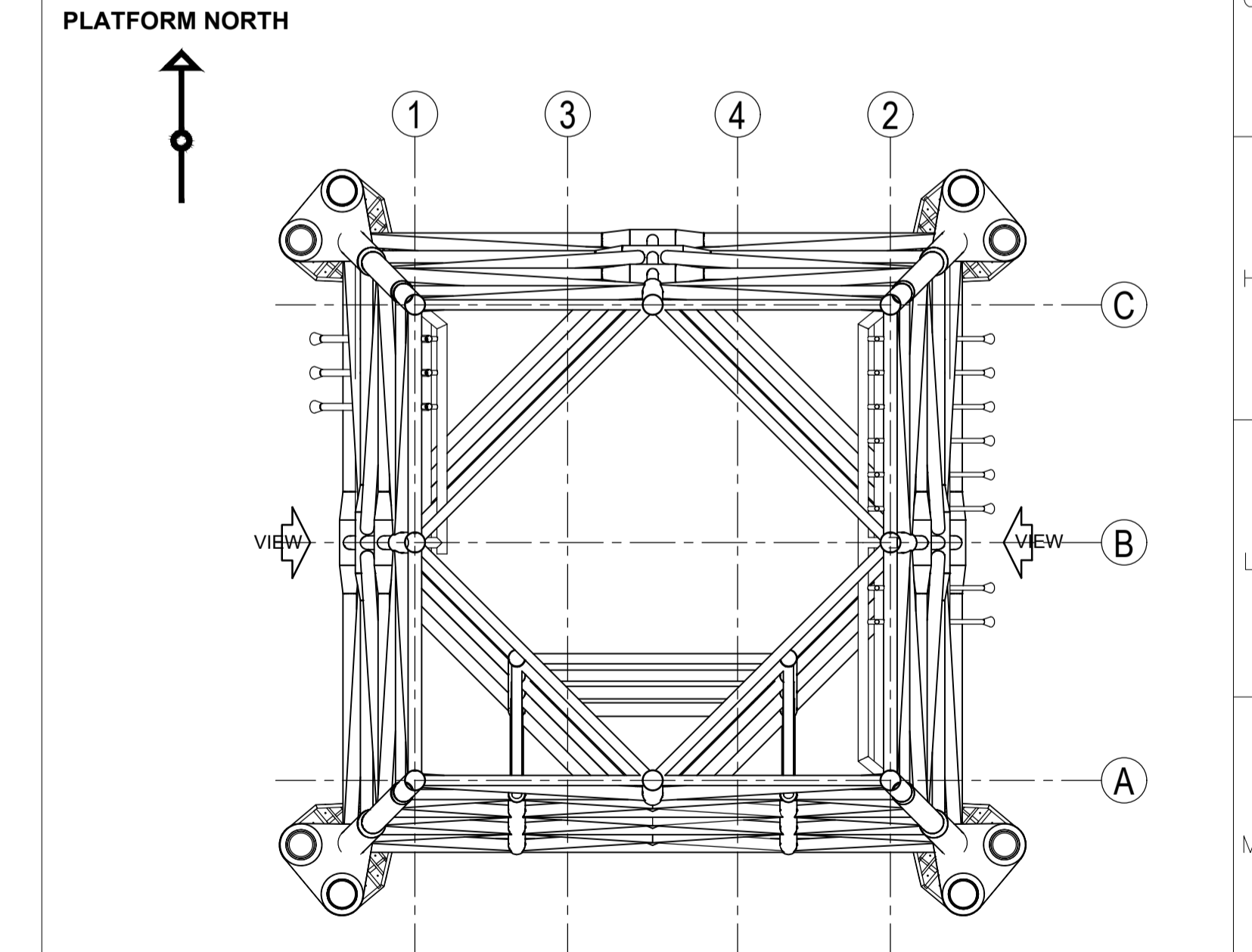
TRUE VIEW - ROW 2

REFERENCE DOCUMENTS		
REF	DOC TAG	DESCRIPTION
1	12085-CDD-100	SUBSTATION 1 - ASSEMBLY - ISOMETRIC VIEW

NOTES

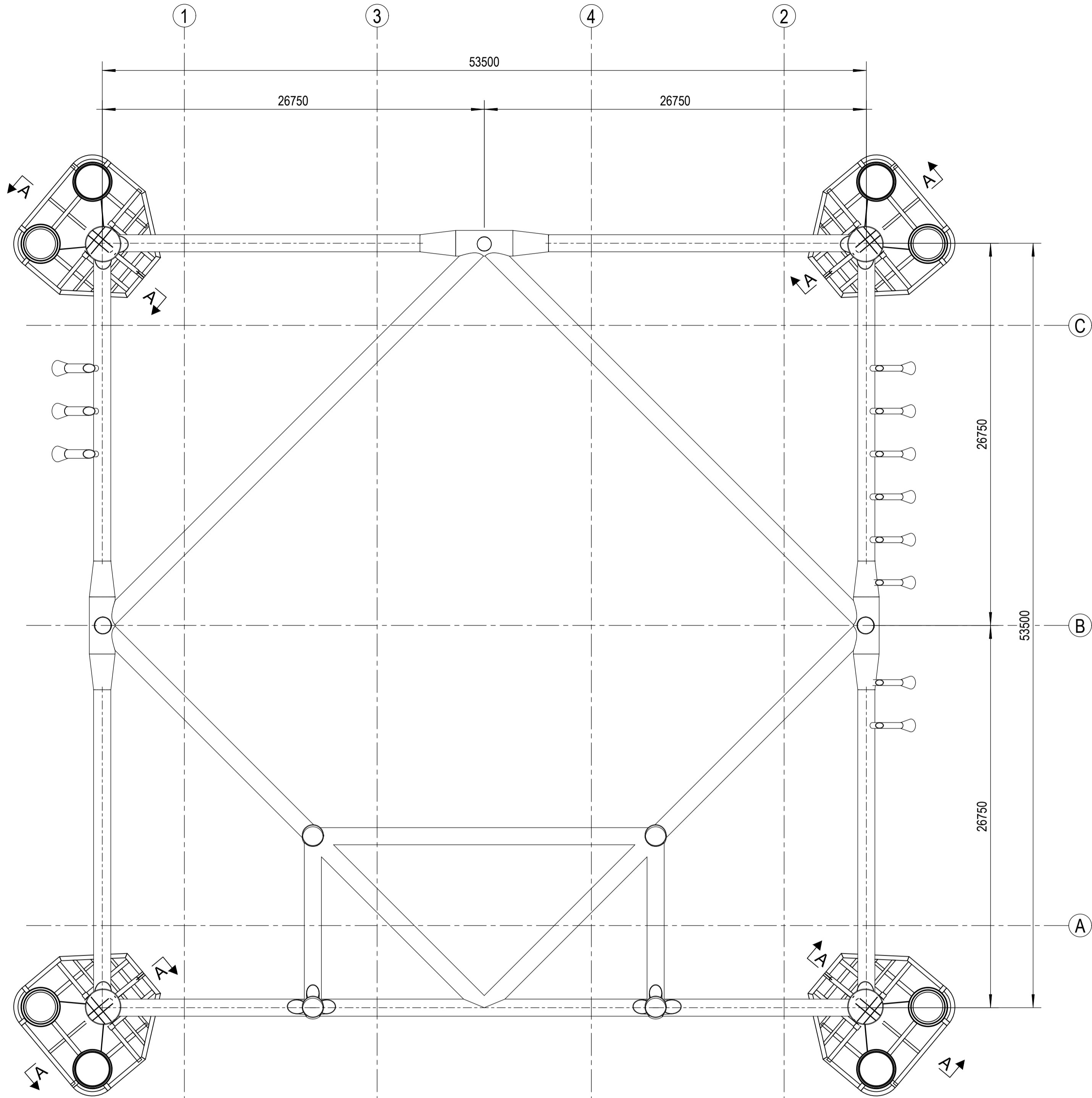
1 - ALL DIMENSIONS ARE IN mm U.N.O.
 2 - ALL ELEVATION ARE IN m REFERRED TO L.A.T.

KEY PLAN

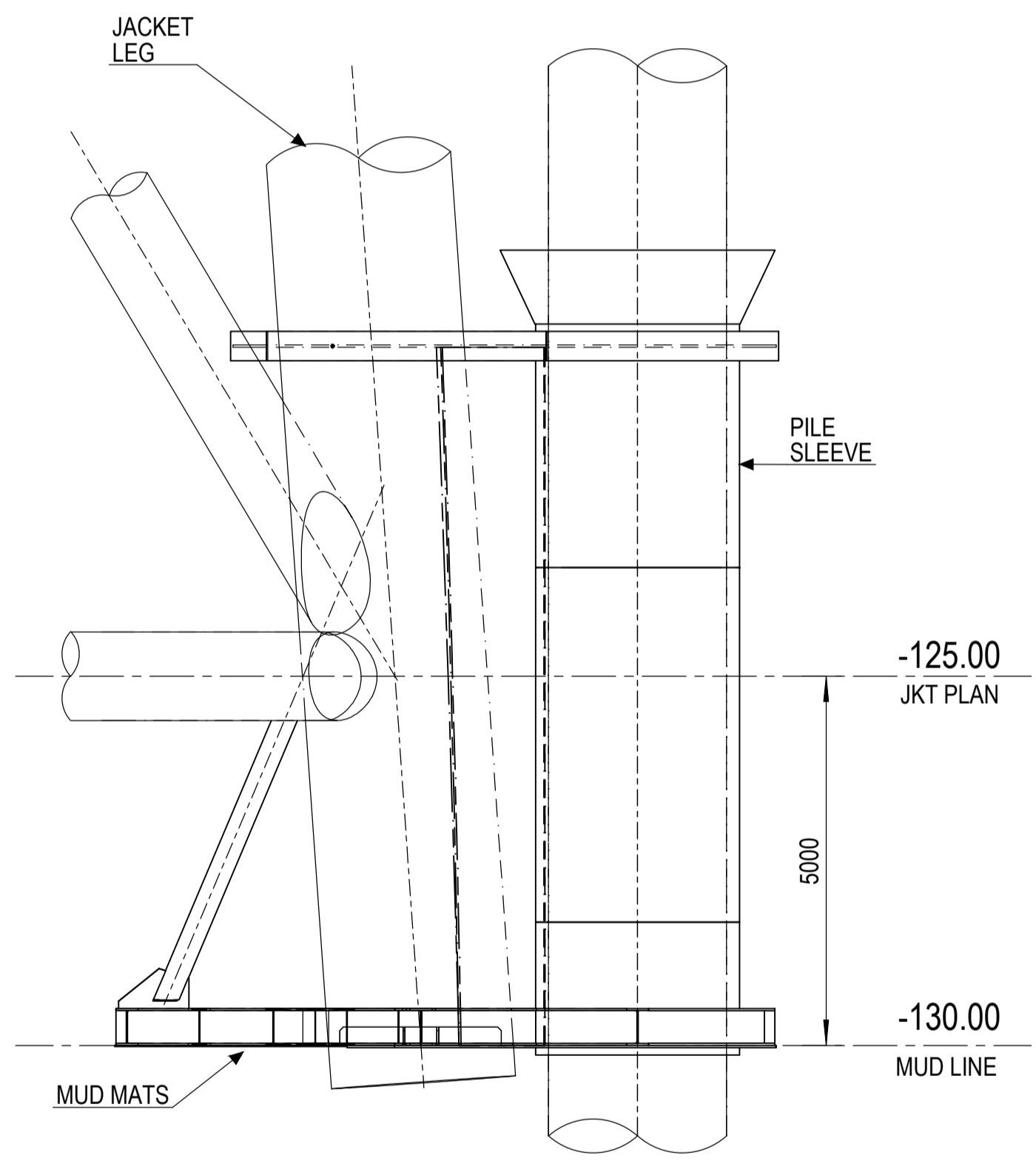


00	20.07.2023	FM	GP	MT	Firts Issue
Rev.	Date	Created by	Checked by	Approved by	Description
Customer		Project		Customer Document ID	
Barium Bay Sri		Barium Bay Offshore Substations		-	
Project ID		Replacing		Based on	
12085		-		-	
Scale		Format		-	
1:200		A1		-	
Responsible Department		Created by		Checked by	
-		Fabio Maroni		Giulio Pascolini	
Approved by		Title		Document ID	
Mauro Tavola		SUBSTATION 1		12085-CDD-120	
-		JACKET - TRUE VIEW ROW 1 - 2		Rev.	
-		-		20.07.2023	
-		-		Page	
-		-		1/1	

PLATFORM NORTH



PLAN AT EL. -125.00
REFERRED TO C.L. PIPE



SECTION A - A
1:75

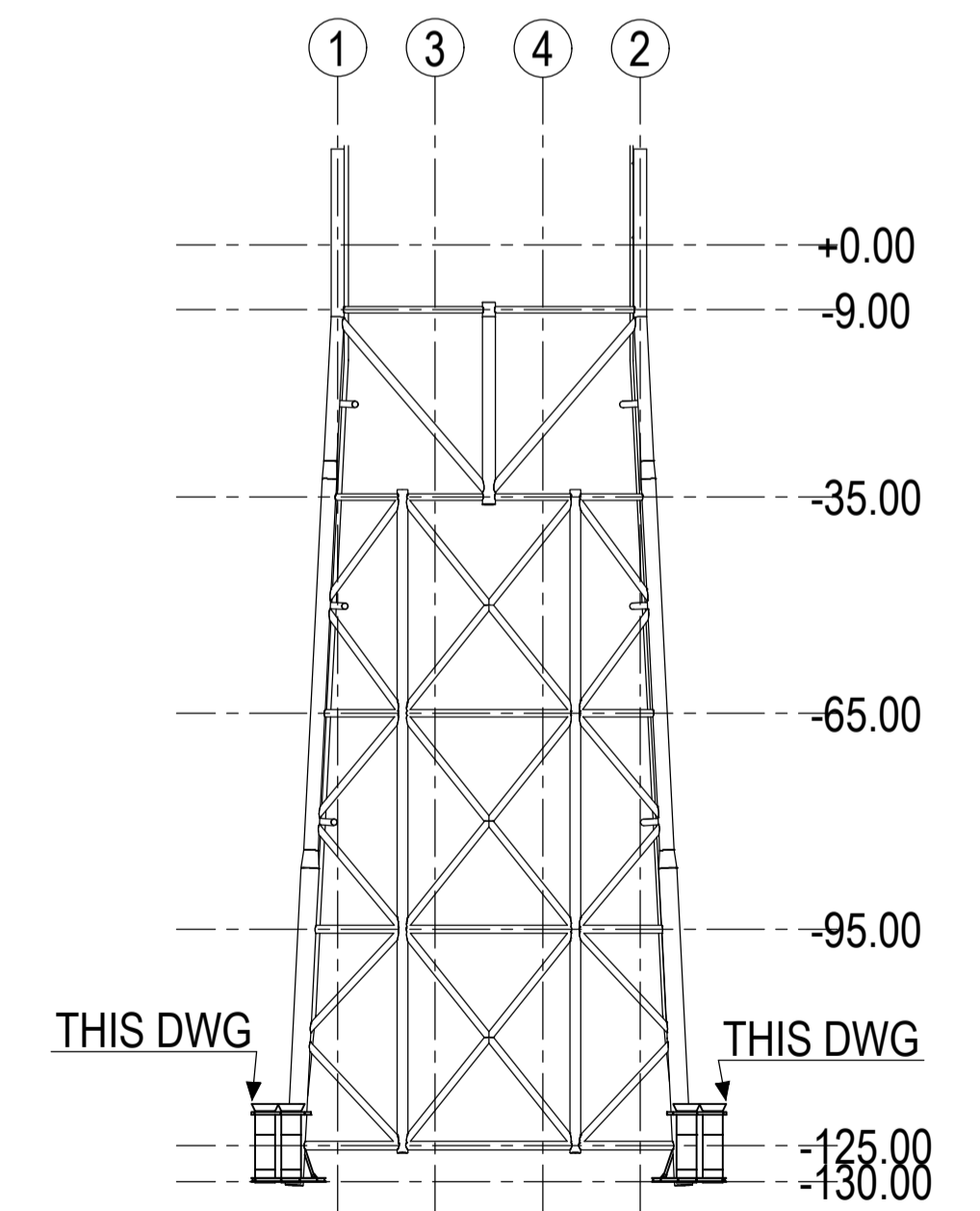
REFERENCE DOCUMENTS

REF	DOC TAG	DESCRIPTION
1	12085-CDD-100	SUBSTATION 1 - ASSEMBLY - ISOMETRIC VIEW

NOTES

- 1 - ALL DIMENSIONS ARE IN mm U.N.O.
- 2 - ALL ELEVATION ARE IN m REFERRED TO L.A.T.

KEY ELEVATION



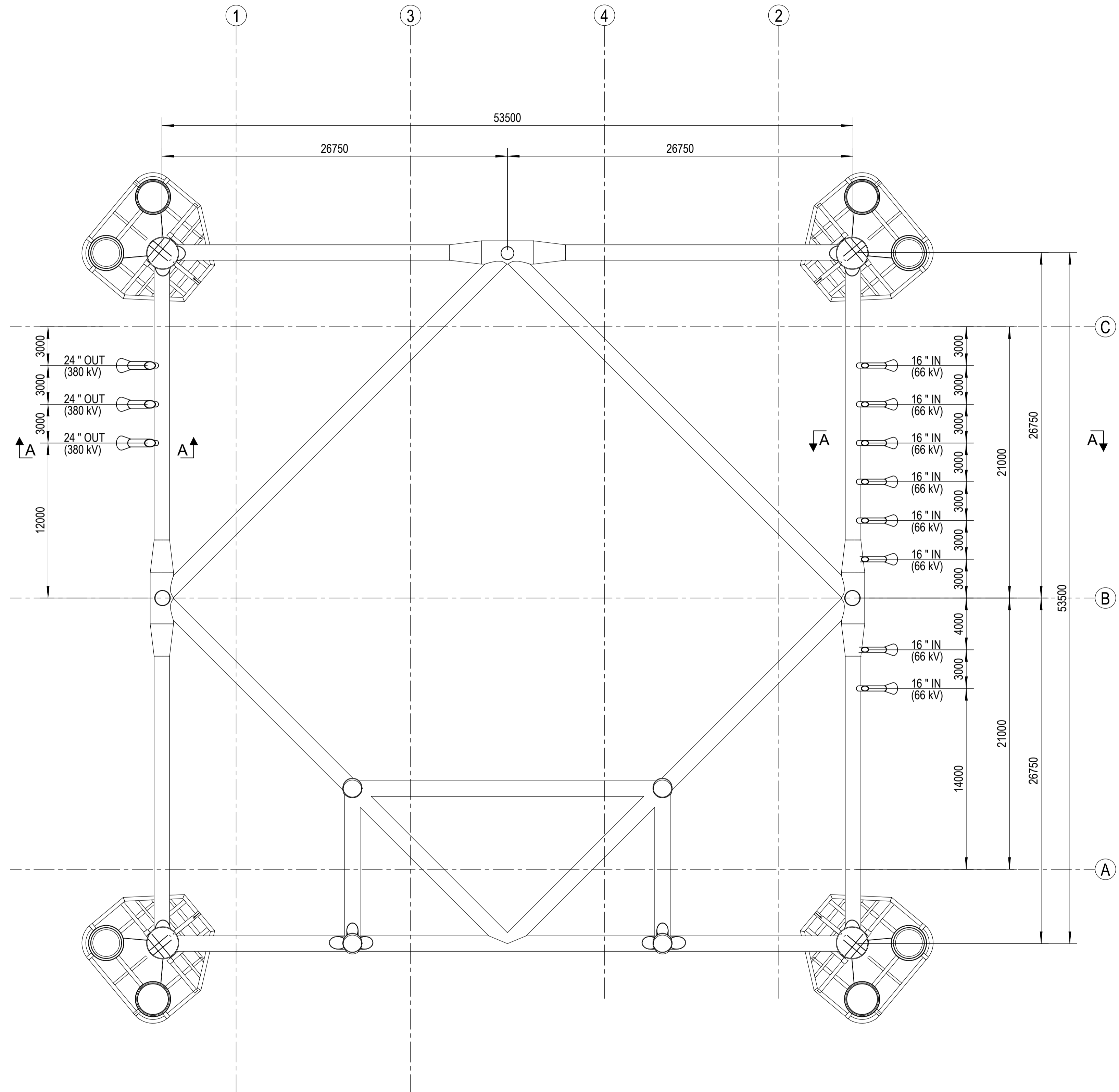
00	20.07.2023	FM	GP	MT	Firts Issue
Rev.	Date	Created by	Checked by	Approved by	Description
Customer	Barium Bay Sri		Project		Customer Document ID
Project ID	12085		Barium Bay Offshore Substations		-
Responsible Department	-		Replacing	Based on	Scale
-		Fabio Maroni	Giulio Pascolini	Mauro Tavola	1:200
-		Title		Document ID	Format
-		SUBSTATION 1 JACKET - PILES SLEEVES & MUD MATS ASSEMBLY		12085-CDD-121	A1
-		KKS-NO: -		Rev.	Page
-		-		00	1/1
-		-		20.07.2023	

File name: 12085-CDD-121_00.dwg

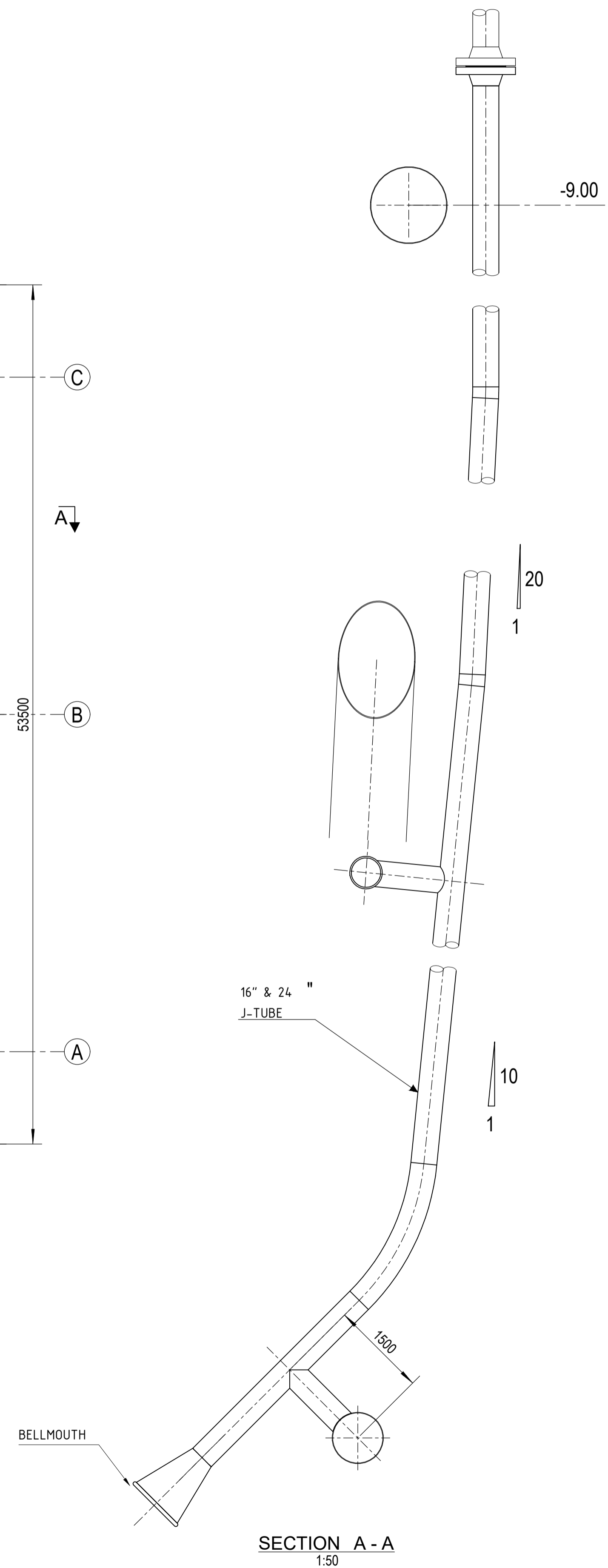


Mod. (08-A1) 0

PLATFORM NORTH



PLAN AT EL. -125.00
REFERRED TO C.L. PIPE

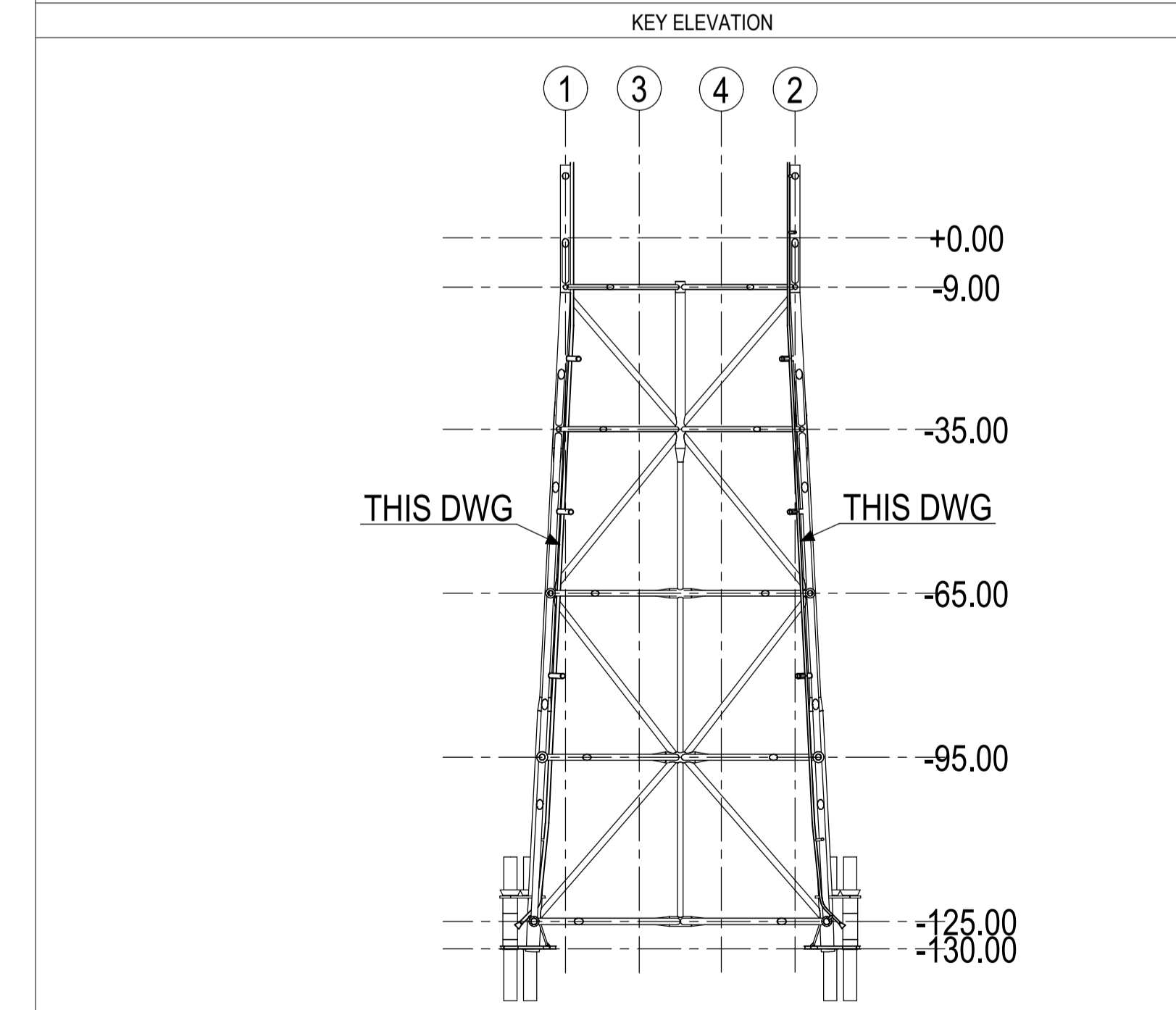


SECTION A - A
1:50

REFERENCE DOCUMENTS		
REF	DOC TAG	DESCRIPTION
1	12085-CDD-100	SUBSTATION 1 - ASSEMBLY - ISOMETRIC VIEW

NOTES

1 - ALL DIMENSIONS ARE IN mm U.N.O.
2 - ALL ELEVATION ARE IN m REFERRED TO L.A.T.



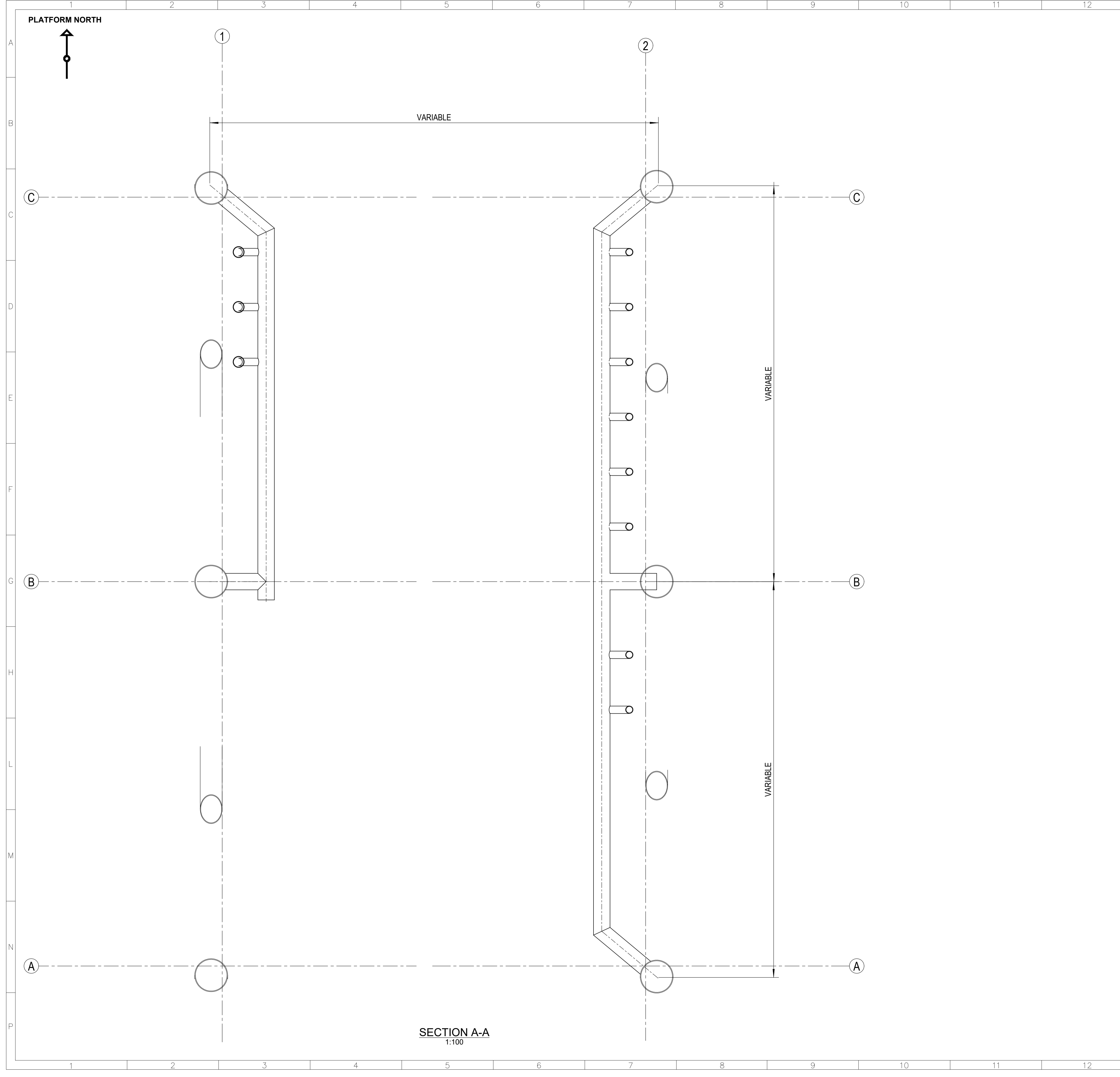
Rev.	Date	Created by	Checked by	Approved by	Description
00	20.07.2023	FM	GP	MT	Firts Issue

Customer	Barium Bay Srl	Project	Barium Bay Offshore Substations	Customer Document ID	-
Project ID	12085	Replacing	-	Scale	1:200
Responsible Department	-	Created by	Fabio Maroni	Checked by	Giulio Pascolini
		Approved by	Mauro Tavola	Document ID	12085-CDD-122
Title		SUBSTATION 1 JACKET - J-TUBES ASSEMBLY AND DETAILS		Rev.	00
KKS-NO.: -				Rel. Date	20.07.2023
				Page	1/1

File name: 12085-CDD-122_00.dwg



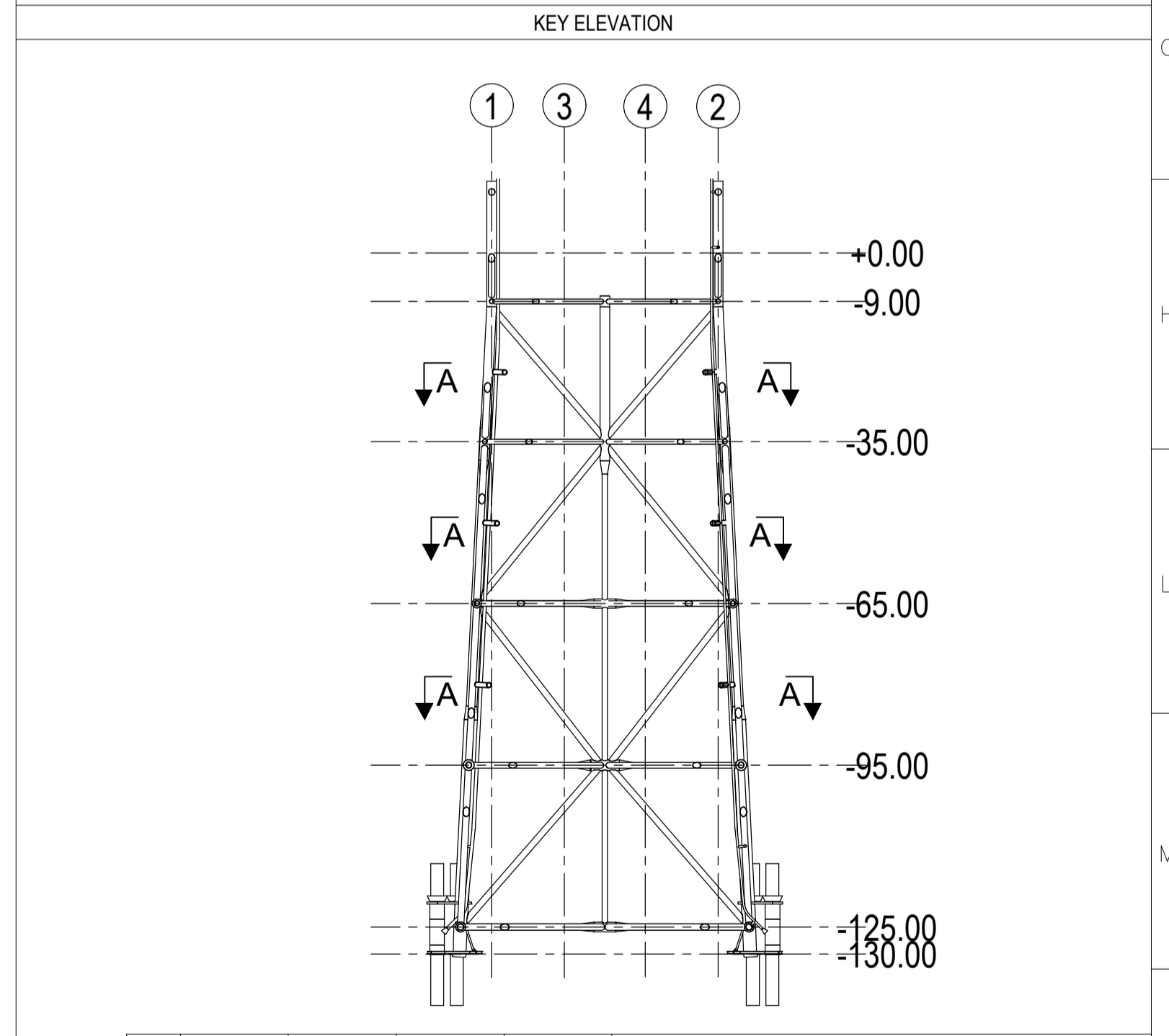
Mod. UNI - AT/PD



REFERENCE DOCUMENTS		
REF	DOC TAG	DESCRIPTION
1	12085-CDD-100	SUBSTATION 1 - ASSEMBLY - ISOMETRIC VIEW

NOTES

1 - ALL DIMENSIONS ARE IN mm U.N.O.
 2 - ALL ELEVATION ARE IN m REFERRED TO L.A.T.

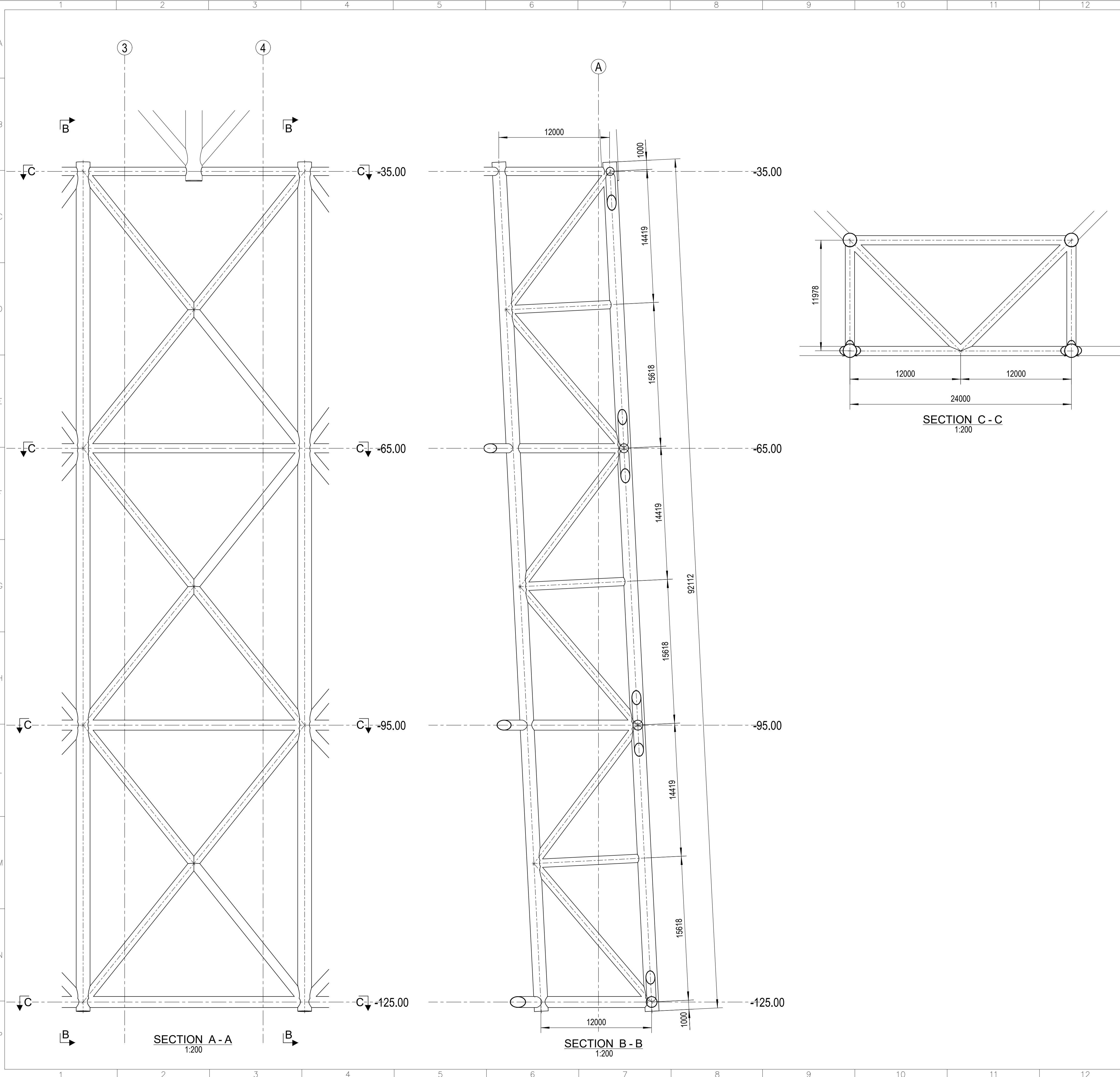


00	20.07.2023	FM	GP	MT	Firts Issue
Rev.	Date	Created by	Checked by	Approved by	Description
Customer	Barium Bay Sri		Project		Customer Document ID
Project ID	12085		Barium Bay Offshore Substations		-
Responsible Department	-		Replacing	Based on	Scale
Created by	Fabio Maroni		Checked by	Giulio Pascolini	1:100
Approved by	-		Approved by	Mauro Tavola	Format
Title					Document ID
SUBSTATION 1 JACKET - J-TUBE SUPPORTS ASSEMBLY AND DETAILS					12085-CDD-123
KKS-NO: -					Rev.
-					20.07.2023
-					Page
-					1/1

File name: 12085-CDD-123_00.dwg



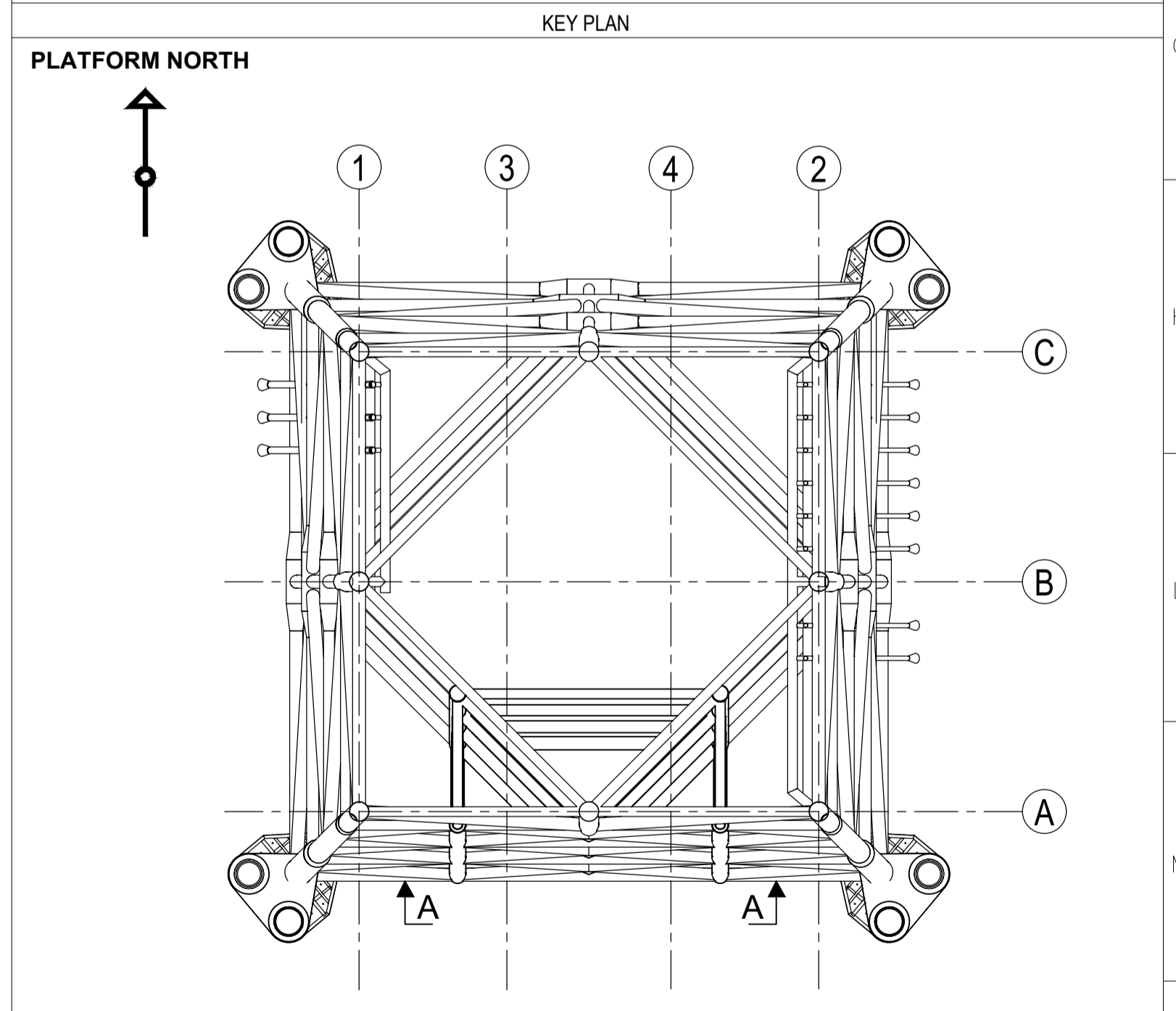
Scale: 1:100



REFERENCE DOCUMENTS		
REF	DOC TAG	DESCRIPTION
1	12085-CDD-100	SUBSTATION 1 - ASSEMBLY - ISOMETRIC VIEW

NOTES

1 - ALL DIMENSIONS ARE IN mm U.N.O.
 2 - ALL ELEVATION ARE IN m REFERRED TO L.A.T.



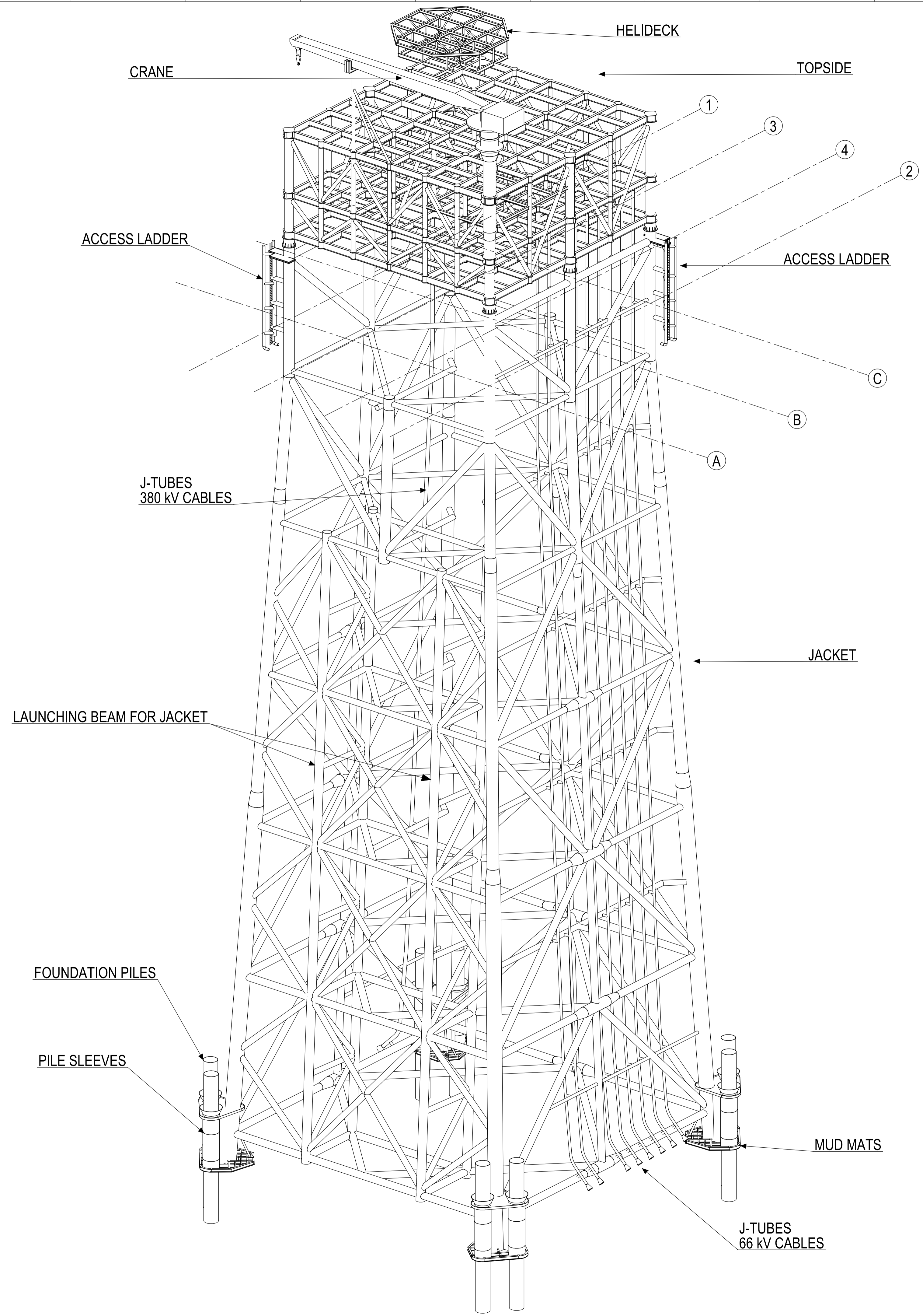
Rev.	Date	Created by	Checked by	Approved by	Description
00	20.07.2023	FM	GP	MT	Firts Issue

Customer	Project	Customer Document ID
Barium Bay Srl	Barium Bay Offshore Substations	-
Project ID	Replacing	Based on
12085	-	-
Responsible Department	Created by	Checked by
-	Fabio Maroni	Giulio Pascolini
	Title	Document ID
	SUBSTATION 1 JACKET - LAUNCHING TRUSS ASSEMBLY AND DETAILS	12085-CDD-124
	KKS-NO.: -	Rev. Rel. Date Page
		00 20.07.2023 1/1

File name: 12085-CDD-124_00.dwg



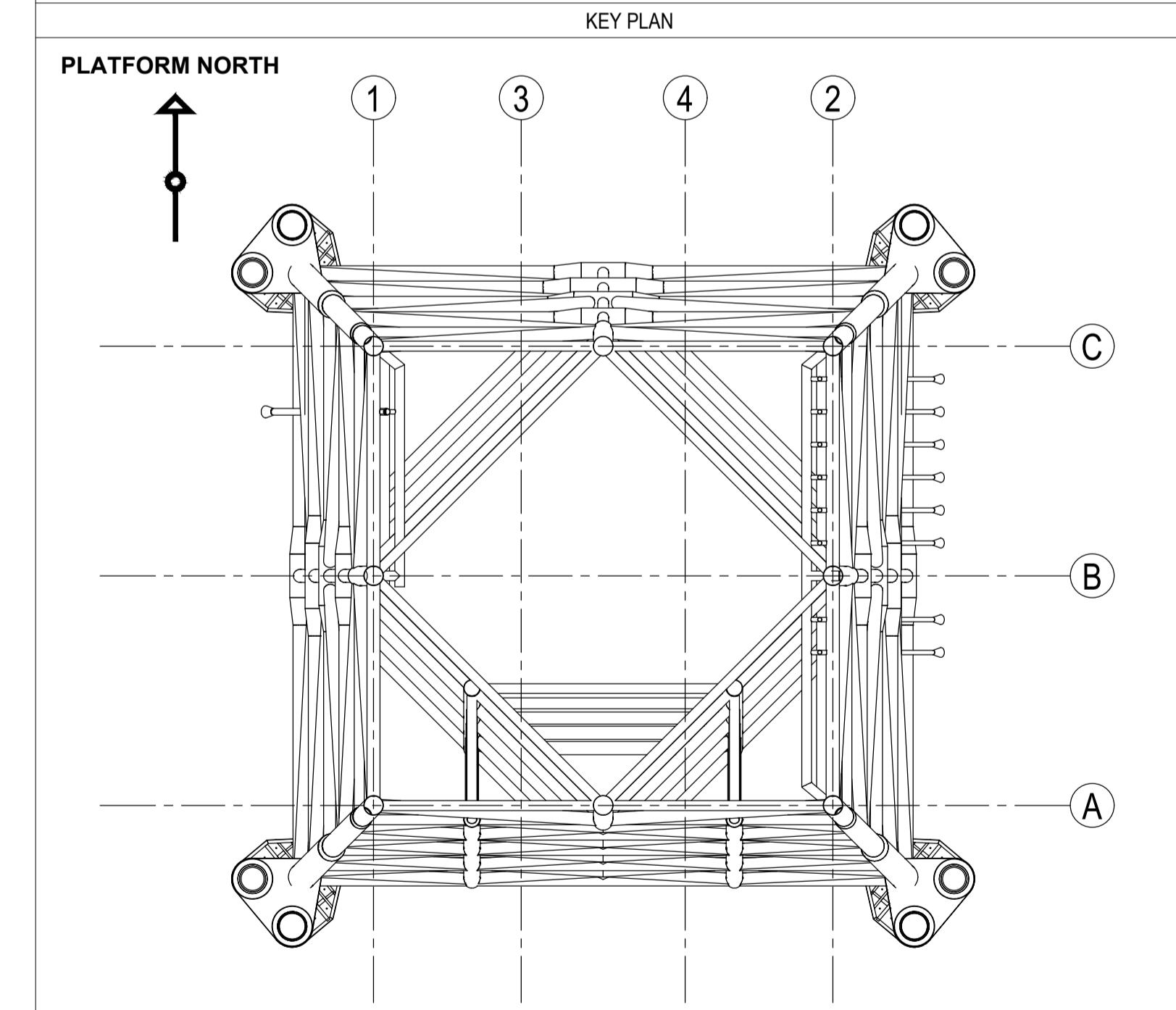
Mod. UNI - AT/20



REFERENCE DOCUMENTS		
REF	DOC TAG	DESCRIPTION

NOTES

1 - ALL DIMENSIONS ARE IN mm U.N.O.
 2 - ALL ELEVATION ARE IN m REFERRED TO L.A.T.

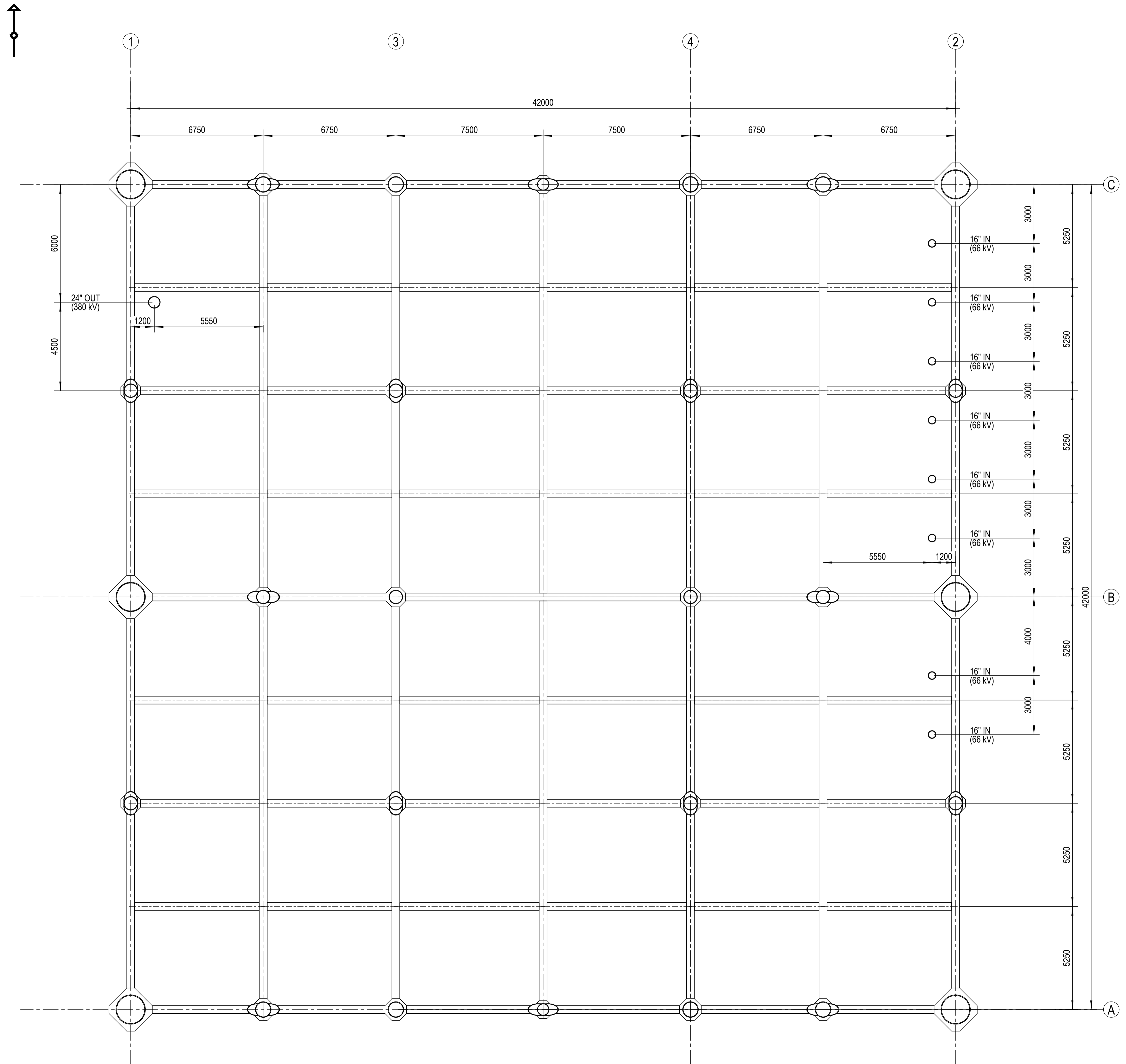


Rev.	Date	Created by	Checked by	Approved by	Description
00	26.07.2023	FM	GP	MT	First Issue

Customer	Project	Customer Document ID
Barium Bay Srl	Barium Bay Offshore Substations	-
Project ID	Replacing	Based on
12085	-	-
Responsible Department	Created by	Checked by
-	Fabio Maroni	Giulio Pascolini
	Approved by	Document ID
	Mauro Tavola	12085-CDD-200

File name	12085-CDD-200_00.dwg
Scale	NTS
Format	A1
Title	SUBSTATION 2 ASSEMBLY - ISOMETRIC VIEW
Rev.	00
Rel. Date	26.07.2023
Page	1/1

PLATFORM NORTH

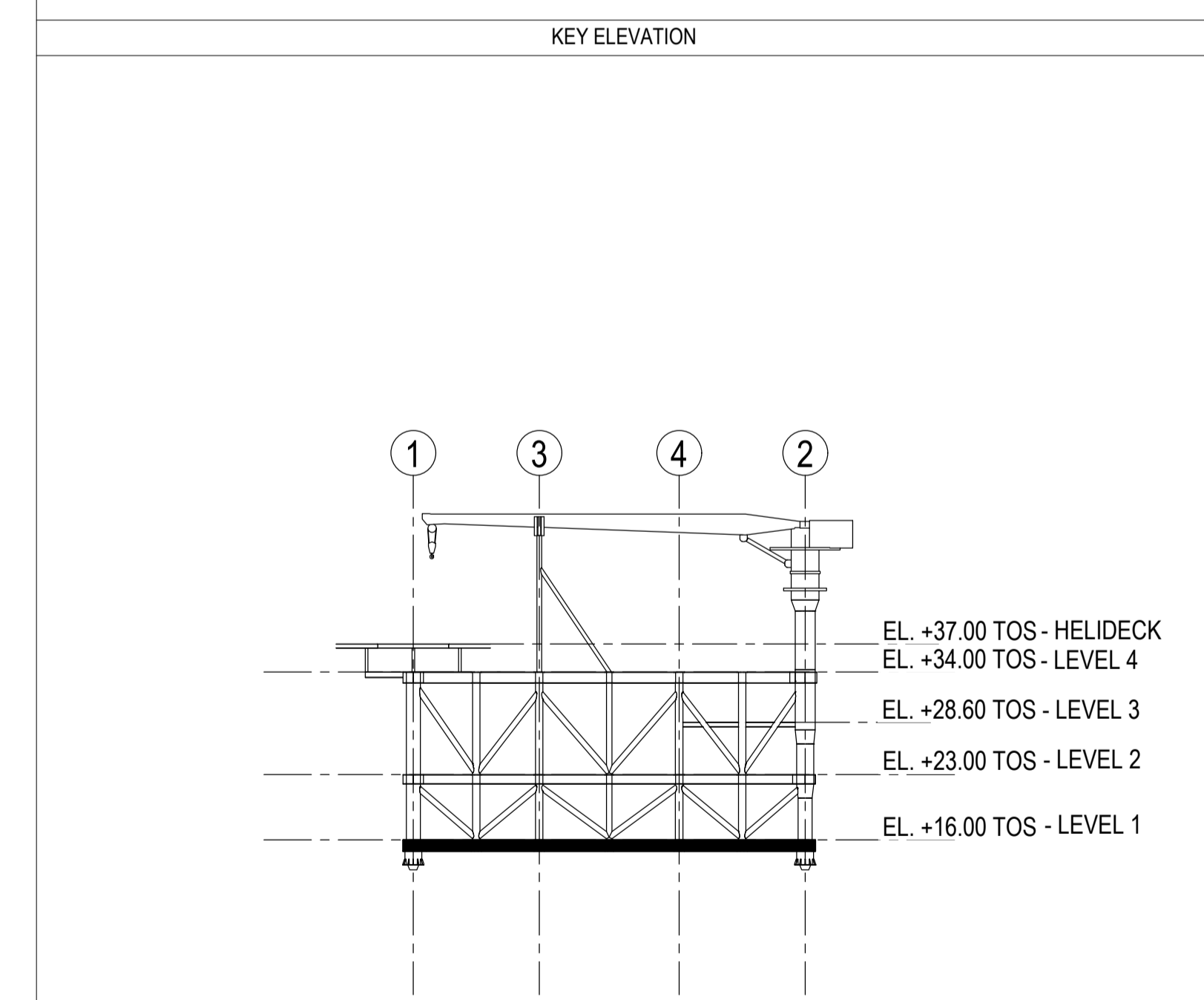


LEVEL 1 - PLAN AT EL. +16.00 TOS

REFERENCE DOCUMENTS		
REF	DOC TAG	DESCRIPTION
1	12085-CDD-200	SUBSTATION 2 - ASSEMBLY - ISOMETRIC VIEW

NOTES

1 - ALL DIMENSIONS ARE IN mm U.N.O.
 2 - ALL ELEVATION ARE IN m REFERRED TO L.A.T.



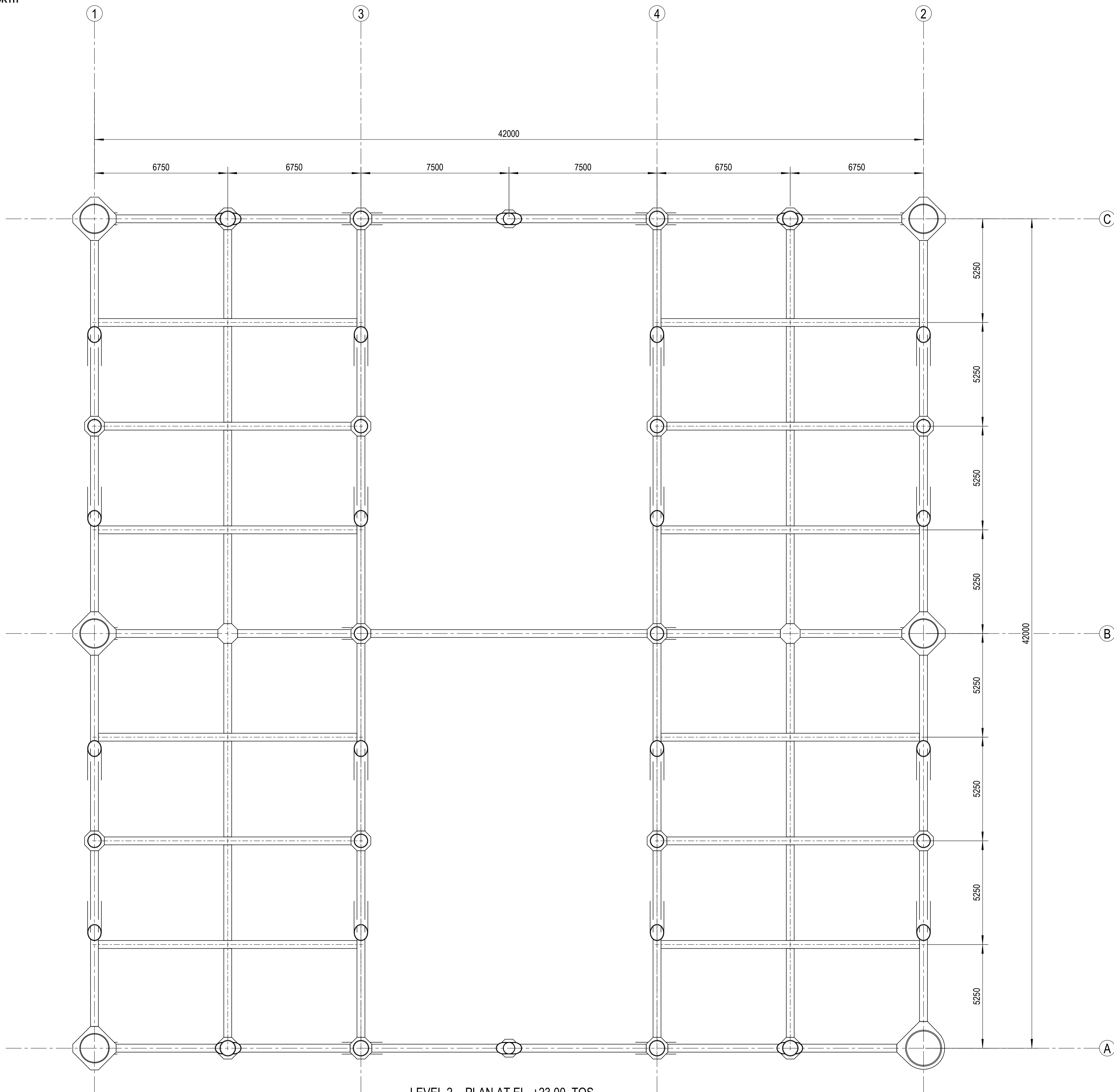
00	26.07.2023	FM	GP	MT	First Issue
Rev.	Date	Created by	Checked by	Approved by	Description
Customer		Project		Customer Document ID	
Barium Bay Srl		Barium Bay Offshore Substations		-	
Project ID		Replacing		Based on	
12085		-		-	
Responsible Department		Created by		Checked by	
-		Fabio Maroni		Giulio Pascolini	
Title		Document ID		Scale	
SUBSTATION 2 TOPSIDES - LEVEL 1		12085-CDD-201		1:100	
KKS-NO.: -		Rev.		Page	
-		00		26.07.2023	
				1/1	

File name: 12085-CDD-201_00.dwg



Mod. UNI - AT/20

PLATFORM NORTH



LEVEL 2 - PLAN AT EL. +23.00 TOS

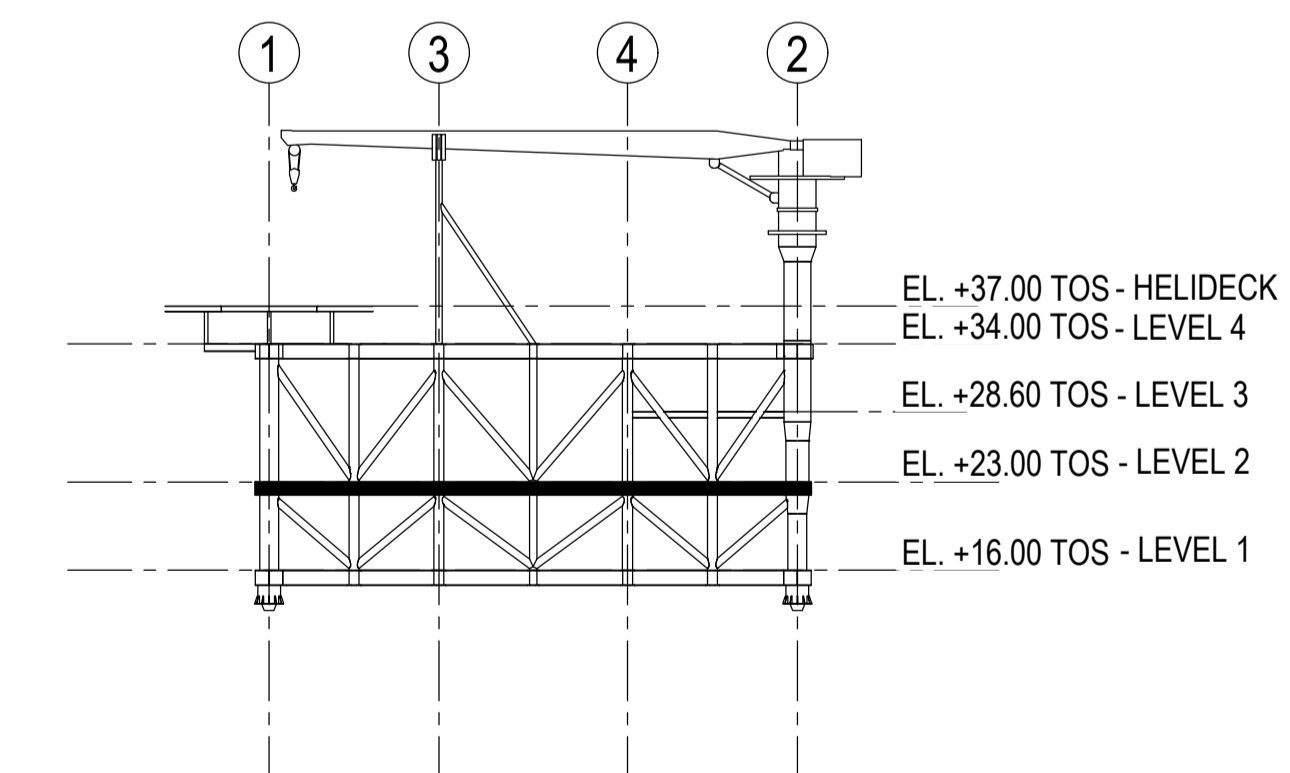
REFERENCE DOCUMENTS

REF	DOC TAG	DESCRIPTION
1	12085-CDD-200	SUBSTATION 2 - ASSEMBLY - ISOMETRIC VIEW

NOTES

- 1 - ALL DIMENSIONS ARE IN mm U.N.O.
- 2 - ALL ELEVATION ARE IN m REFERRED TO L.A.T.

KEY ELEVATION



Rev.	Date	Created by	Checked by	Approved by	Description
00	26.07.2023	FM	GP	MT	First Issue

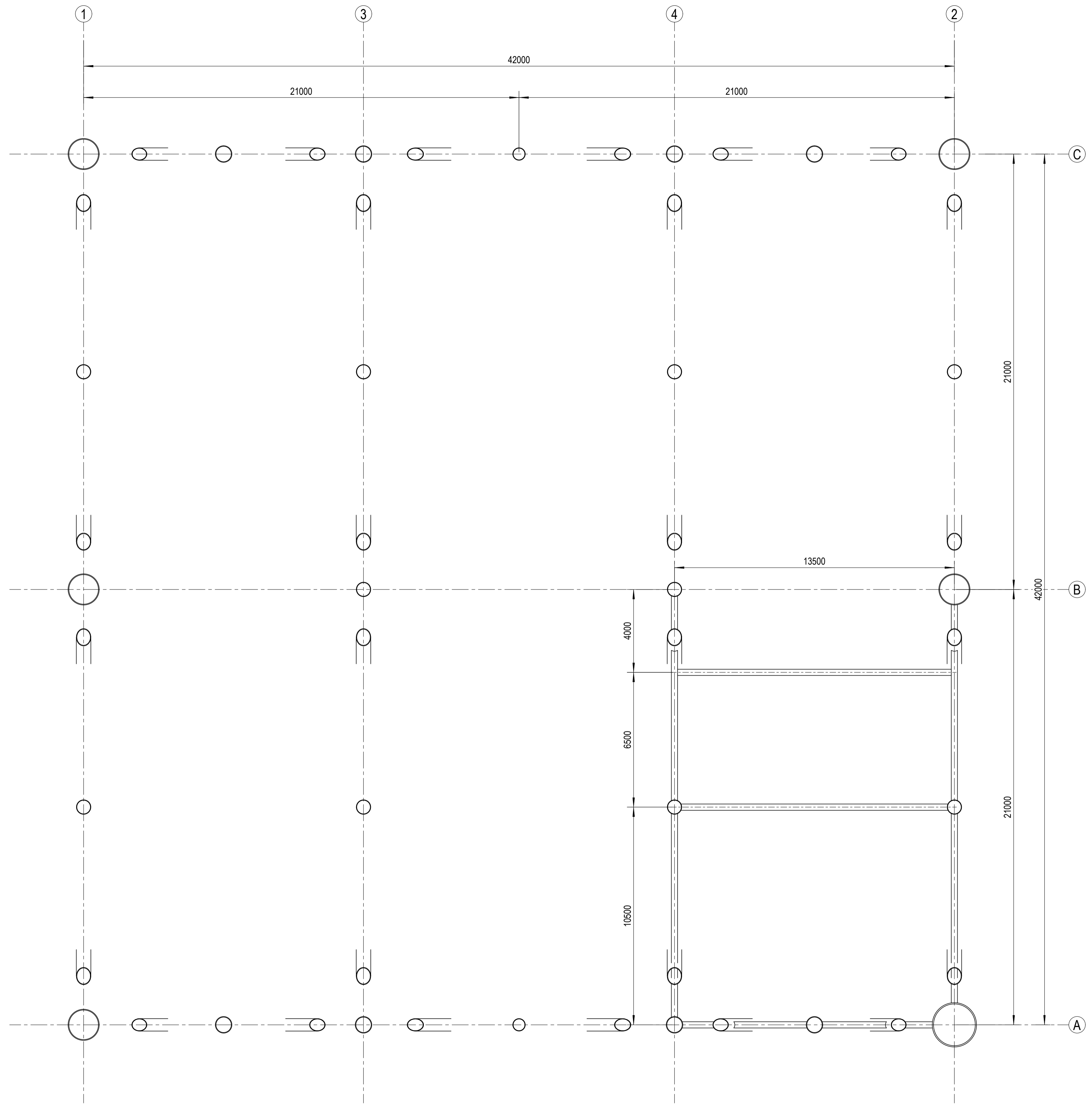
Customer	Barium Bay Srl	Project	Barium Bay Offshore Substations	Customer Document ID	-
Project ID	12085	Replacing	-	Scale	1:100
Responsible Department	-	Created by	Fabio Maroni	Checked by	Giulio Pascolini
		Title	SUBSTATION 2 TOPSIDES - LEVEL 2		Document ID
				Approved by	Mauro Tavola
				Rev.	00
				Rel. Date	26.07.2023
				Page	1/1

File name: 12085-CDD-202_00.dwg



Mod. UNI - AT/0

PLATFORM NORTH



LEVEL 3 - PLAN AT EL +28.60 TOS

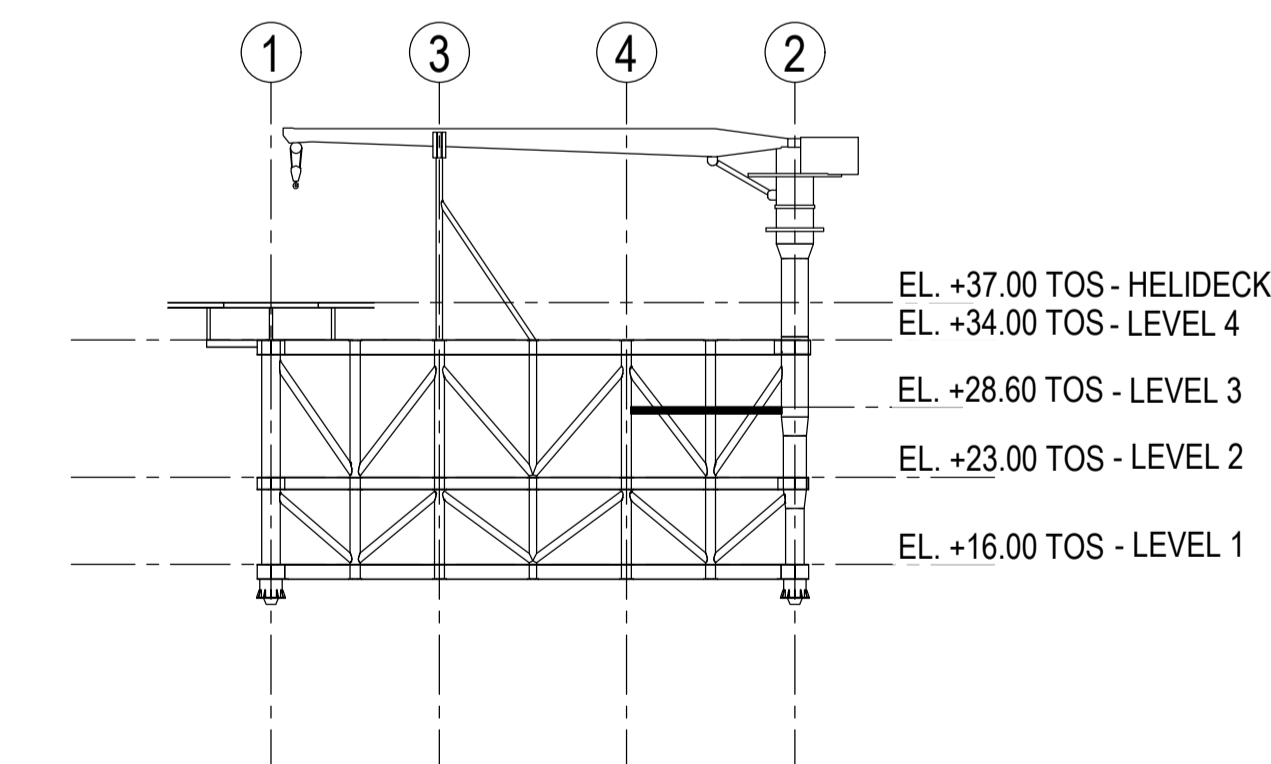
REFERENCE DOCUMENTS

REF	DOC TAG	DESCRIPTION
1	12085-CDD-200	SUBSTATION 2 - ASSEMBLY - ISOMETRIC VIEW

NOTES

- 1 - ALL DIMENSIONS ARE IN mm U.N.O.
- 2 - ALL ELEVATION ARE IN m REFERRED TO L.A.T.

KEY ELEVATION

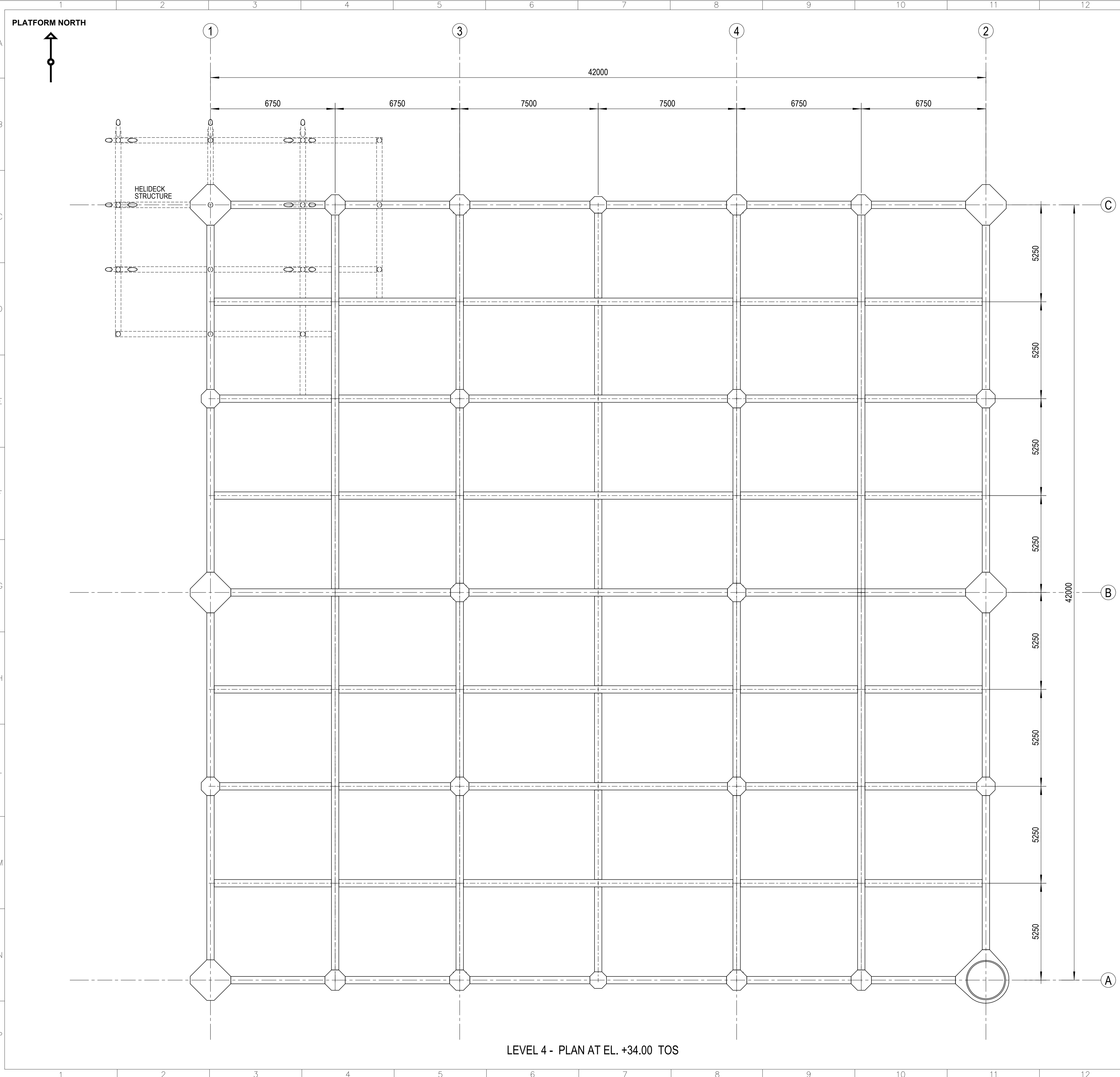


00	26.07.2023	FM	GP	MT	First Issue
Rev.	Date	Created by	Checked by	Approved by	Description
Customer		Project		Customer Document ID	
Barium Bay Sri		Barium Bay Offshore Substations		-	
Project ID		Replacing		Scale	
12085		-		1:100	
Responsible Department		Created by		Approved by	
-		Fabio Maroni		Mauro Tavola	
Title		Document ID		Rev.	
SUBSTATION 2 TOPSIDES - LEVEL 3		12085-CDD-203		00	
KKS-NO: -		Rel. Date		Page	
		26.07.2023		1/1	

File name: 12085-CDD-203_00.dwg



Scale: 1:100

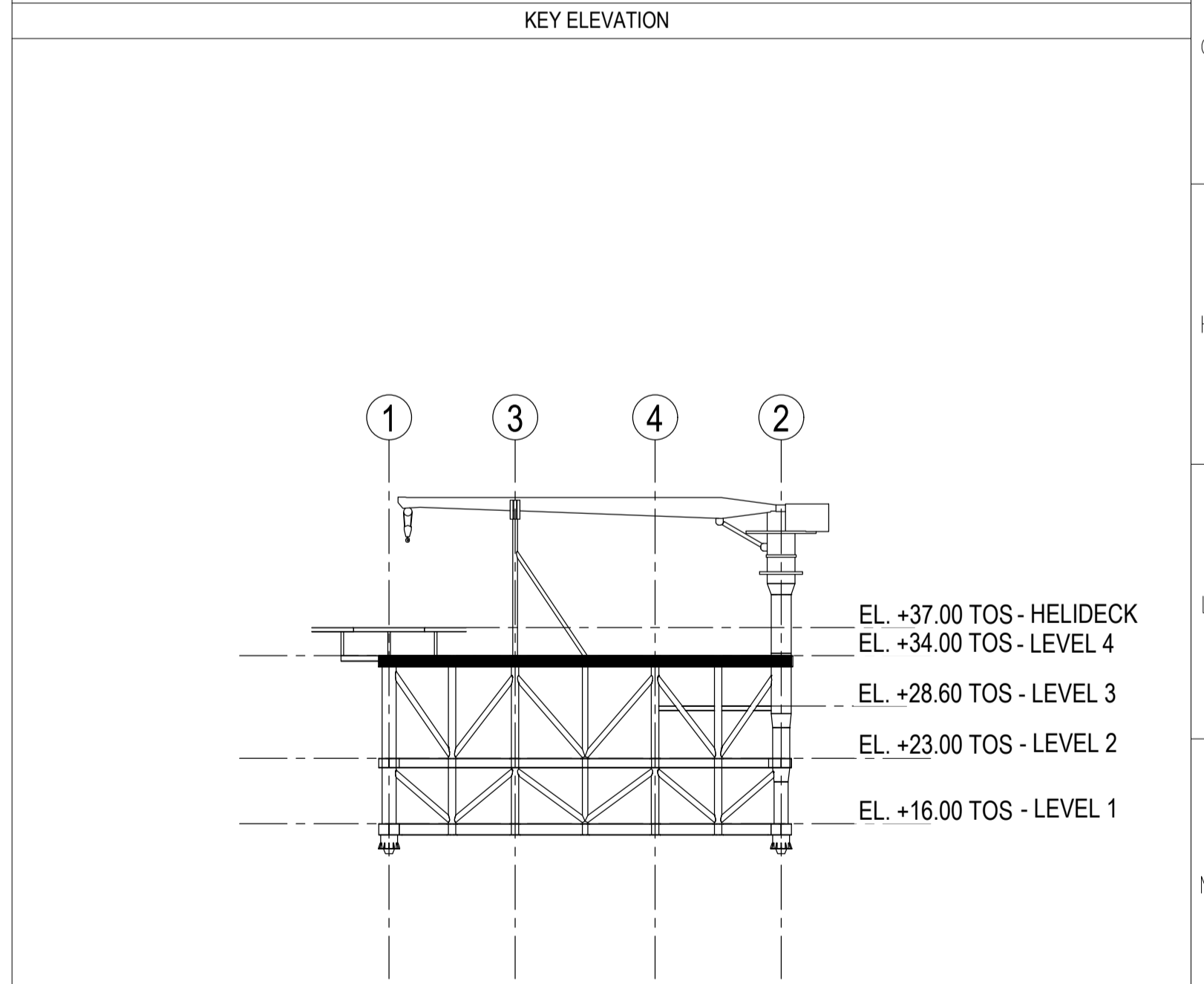


LEVEL 4 - PLAN AT EL. +34.00 TOS

REFERENCE DOCUMENTS		
REF	DOC TAG	DESCRIPTION
1	12085-CDD-200	SUBSTATION 2 - ASSEMBLY - ISOMETRIC VIEW

NOTES

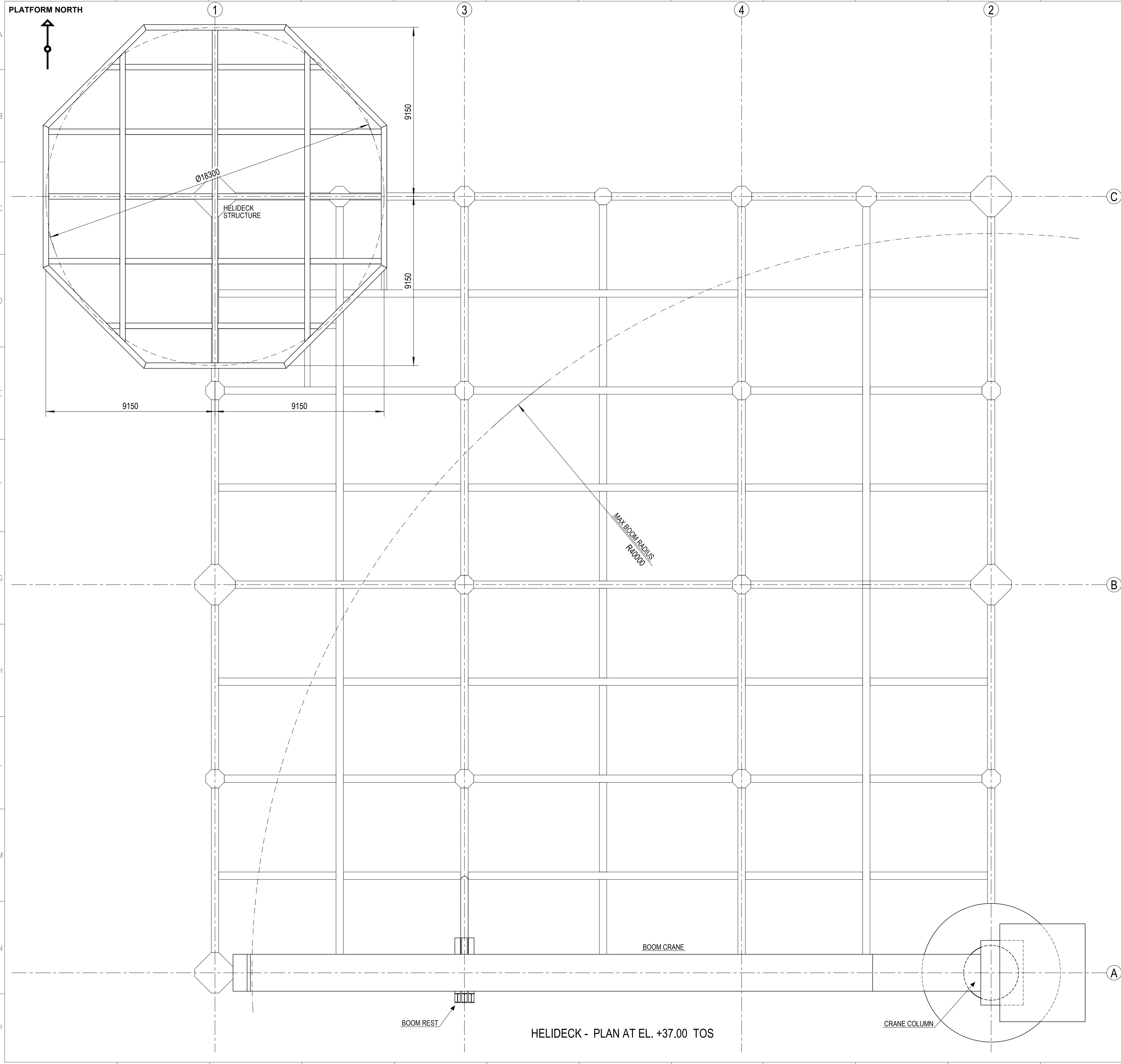
1 - ALL DIMENSIONS ARE IN mm U.N.O.
 2 - ALL ELEVATION ARE IN m REFERRED TO L.A.T.



Rev.	Date	Created by	Checked by	Approved by	Description
00	26.07.2023	FM	GP	MT	First Issue

Customer	Project	Customer Document ID
Barium Bay Srl	Barium Bay Offshore Substations	-
Project ID	Replacing	Based on
12085	-	-
Responsible Department	Created by	Checked by
-	Fabio Maroni	Giulio Pascolini
Title	Document ID	Scale
SUBSTATION 2 TOPSIDES - LEVEL 4	12085-CDD-204	1:100
Approved by	Format	Page
Mauro Tavola	A1	1/1

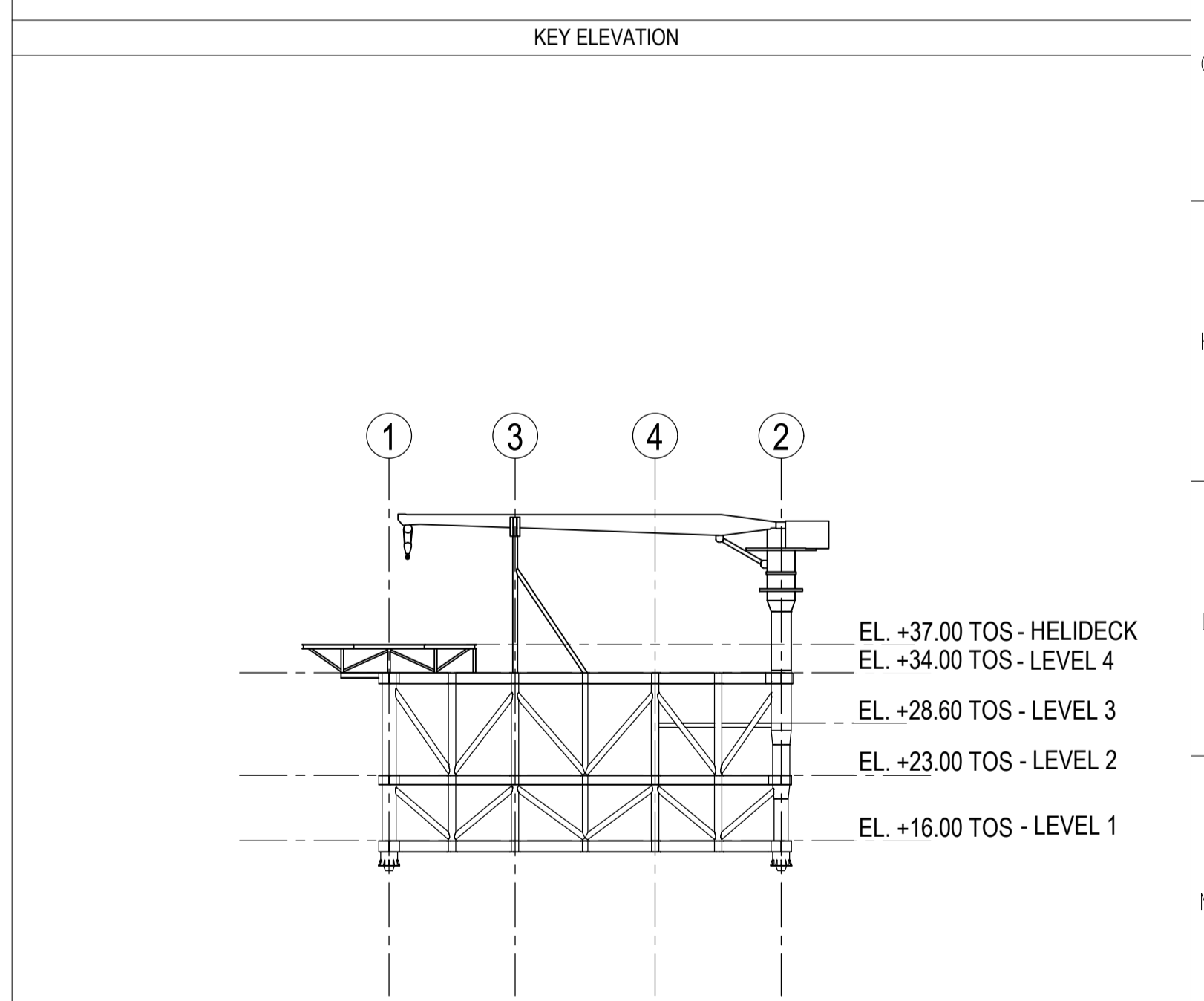
File name	12085-CDD-204_00.dwg
Rev.	00
Rel. Date	26.07.2023
Page	1/1



REFERENCE DOCUMENTS		
REF	DOC TAG	DESCRIPTION
1	12085-CDD-200	SUBSTATION 2 - ASSEMBLY - ISOMETRIC VIEW

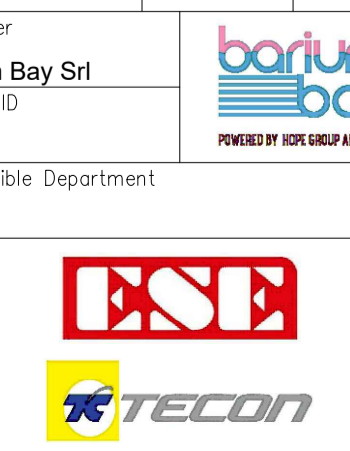
NOTES

1 - ALL DIMENSIONS ARE IN mm U.N.O.
 2 - ALL ELEVATION ARE IN m REFERRED TO L.A.T.

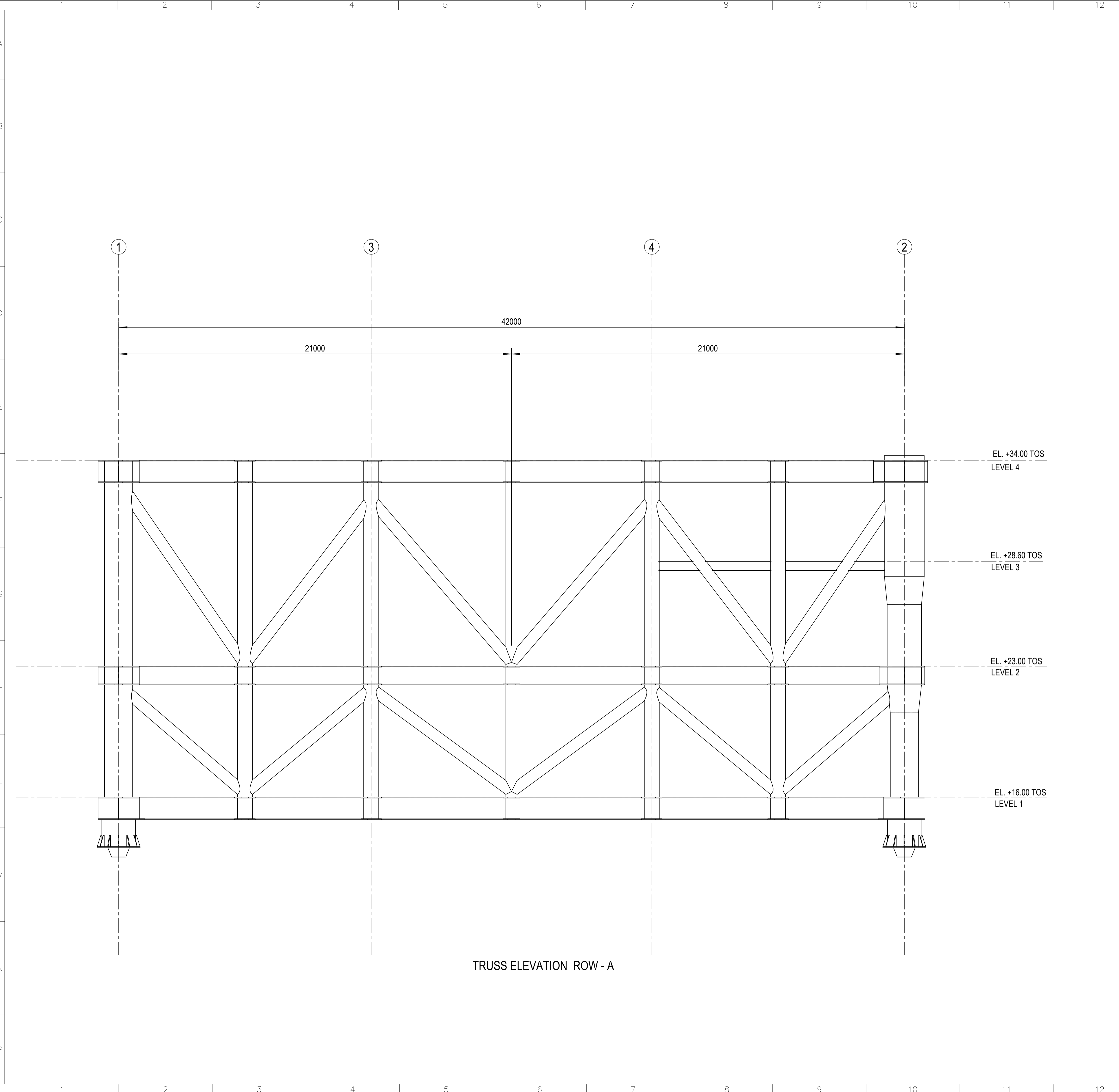


00	26.07.2023	FM	GP	MT	First Issue
Rev.	Date	Created by	Checked by	Approved by	Description
Customer		Project		Customer Document ID	
Barium Bay Srl		Barium Bay Offshore Substations		-	
Project ID		Replacing		Based on	
12085		-		-	
Responsible Department		Created by		Checked by	
-		Fabio Maroni		Giulio Pascolini	
Approved by		Title		Document ID	
Mauro Tavola		SUBSTATION 2 TOPSIDES - HELIDECK		12085-CDD-205	
Rev.		Rel. Date		Page	
00		26.07.2023		1/1	

File name: 12085-CDD-205_00.dwg



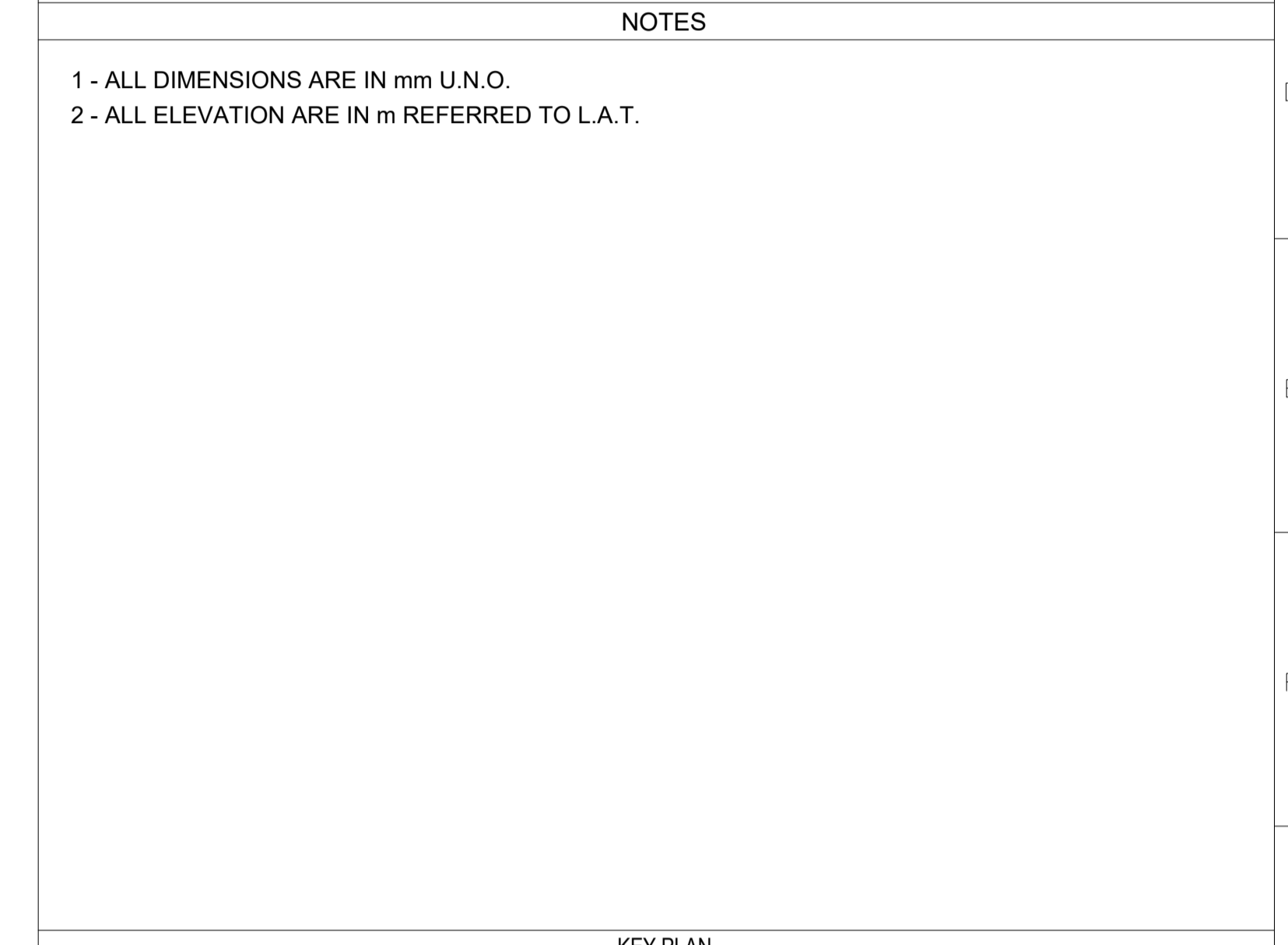
Mod. UNI - A1/P0



REFERENCE DOCUMENTS		
REF	DOC TAG	DESCRIPTION
1	12085-CDD-200	SUBSTATION 2 - ASSEMBLY - ISOMETRIC VIEW

NOTES

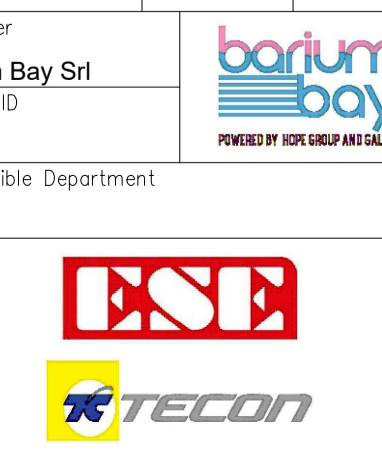
1 - ALL DIMENSIONS ARE IN mm U.N.O.
 2 - ALL ELEVATION ARE IN m REFERRED TO L.A.T.

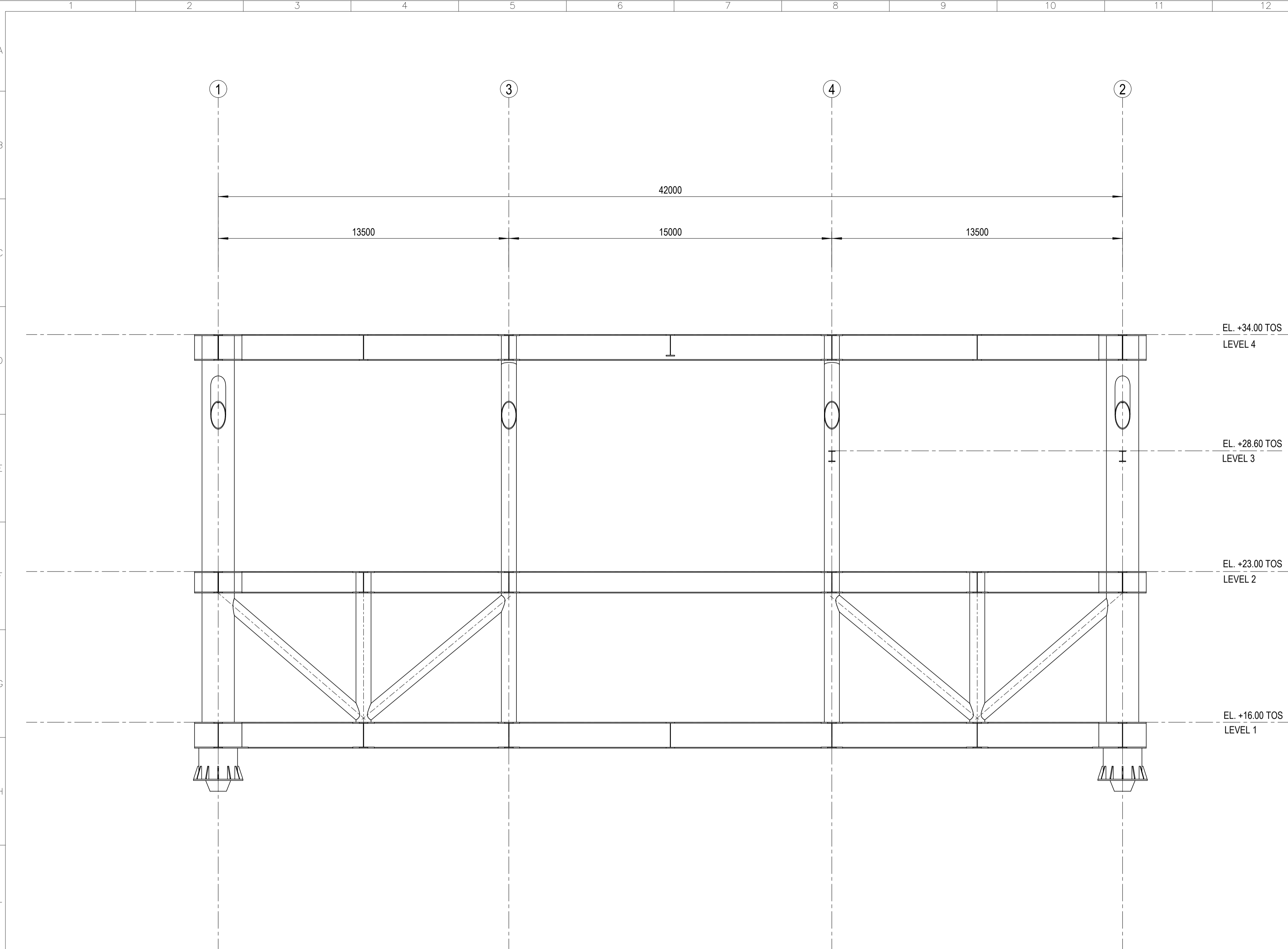


Rev.	Date	Created by	Checked by	Approved by	Description
00	26.07.2023	FM	GP	MT	First Issue

Customer	Project	Customer Document ID
Barium Bay Srl	Barium Bay Offshore Substations	-
Project ID	Replacing	Based on
12085	-	-
Responsible Department	Created by	Checked by
-	Fabio Maroni	Giulio Pascolini
	Approved by	Document ID
	Mauro Tavola	12085-CDD-206
	Title	Rev.
	SUBSTATION 2 TOPSIDES - ROW A	Rel. Date
	KKS-NO.: -	Page
		00
		26.07.2023
		1/1

File name: 12085-CDD-206_00.dwg



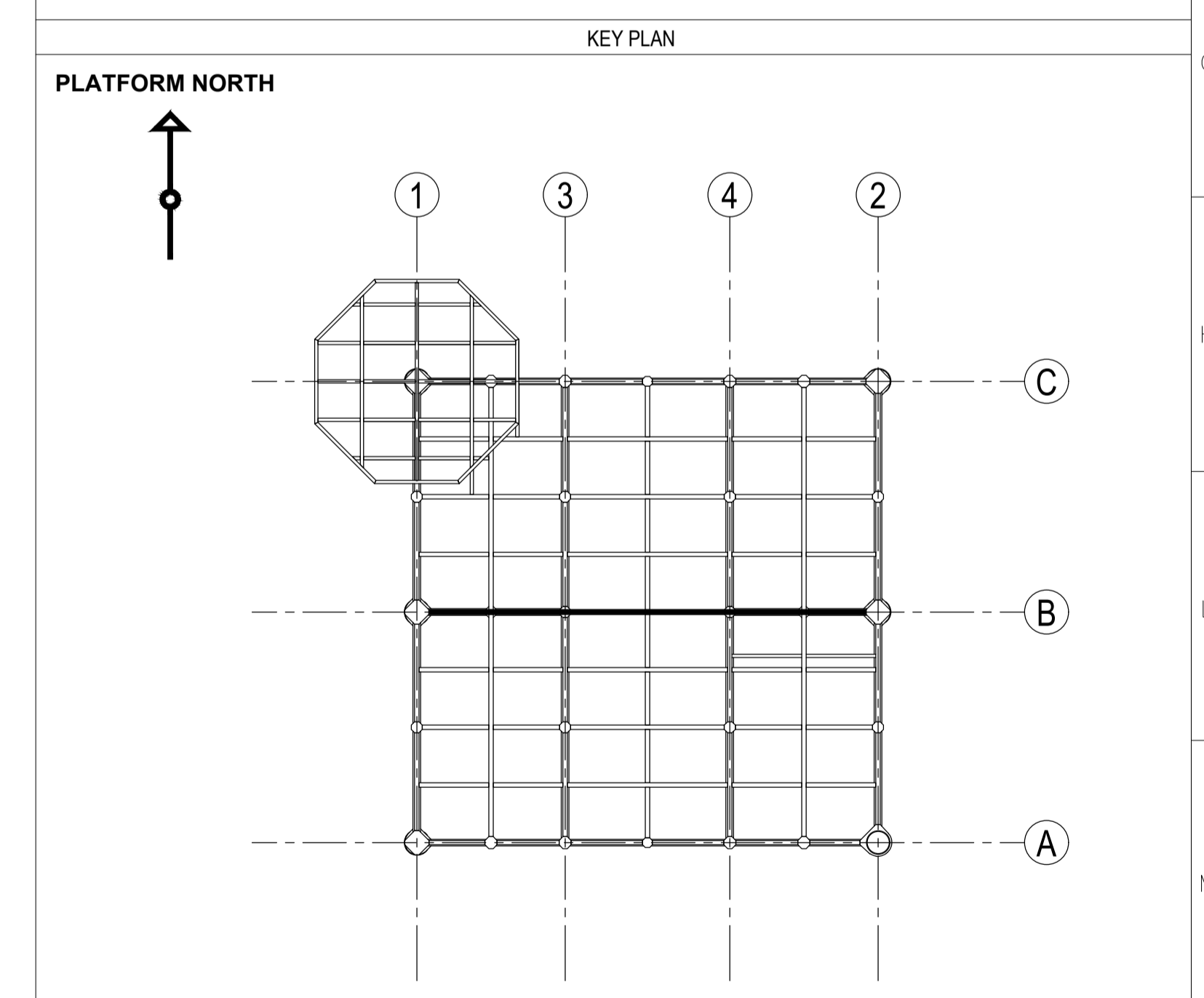


TRUSS ELEVATION ROW - B

REFERENCE DOCUMENTS		
REF	DOC TAG	DESCRIPTION
1	12085-CDD-200	SUBSTATION 2 - ASSEMBLY - ISOMETRIC VIEW

NOTES

1 - ALL DIMENSIONS ARE IN mm U.N.O.
 2 - ALL ELEVATION ARE IN m REFERRED TO L.A.T.

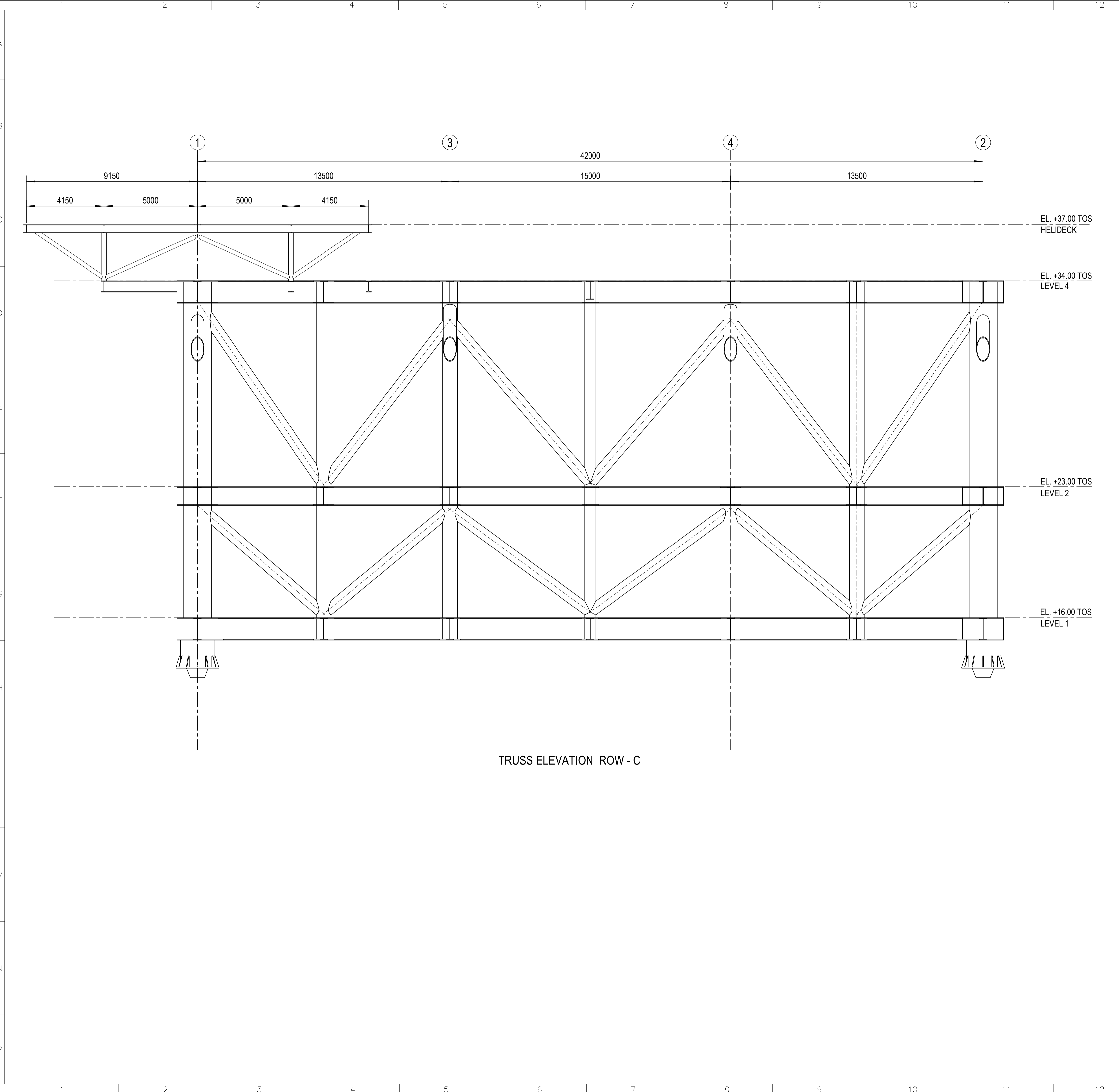


Rev.	Date	Created by	Checked by	Approved by	Description
00	26.07.2023	FM	GP	MT	First Issue

Customer	Project	Customer Document ID
Barium Bay Srl	Barium Bay Offshore Substations	-
Project ID	Replacing	Based on
12085	-	-
Responsible Department	Created by	Checked by
-	Fabio Maroni	Giulio Pascolini
	Approved by	Document ID
	Mauro Tavola	12085-CDD-207
	Title	Rev.
	SUBSTATION 2 TOPSIDES - ROW B	Rel. Date
	KKS-NO.: -	Page
		00
		26.07.2023
		1/1

File name: 12085-CDD-207_00.dwg

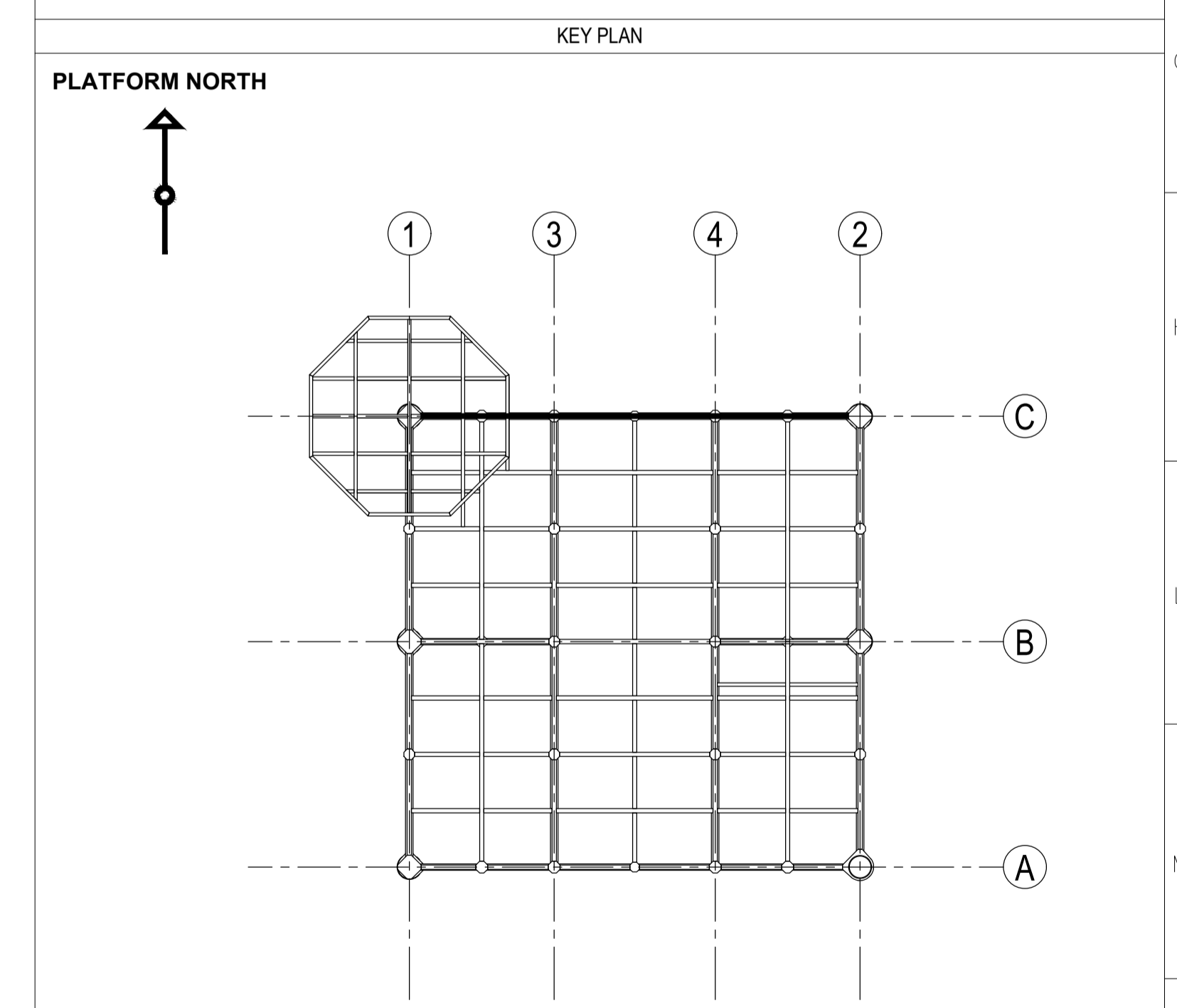




REFERENCE DOCUMENTS		
REF	DOC TAG	DESCRIPTION
1	12085-CDD-200	SUBSTATION 2 - ASSEMBLY - ISOMETRIC VIEW

NOTES

1 - ALL DIMENSIONS ARE IN mm U.N.O.
 2 - ALL ELEVATION ARE IN m REFERRED TO L.A.T.



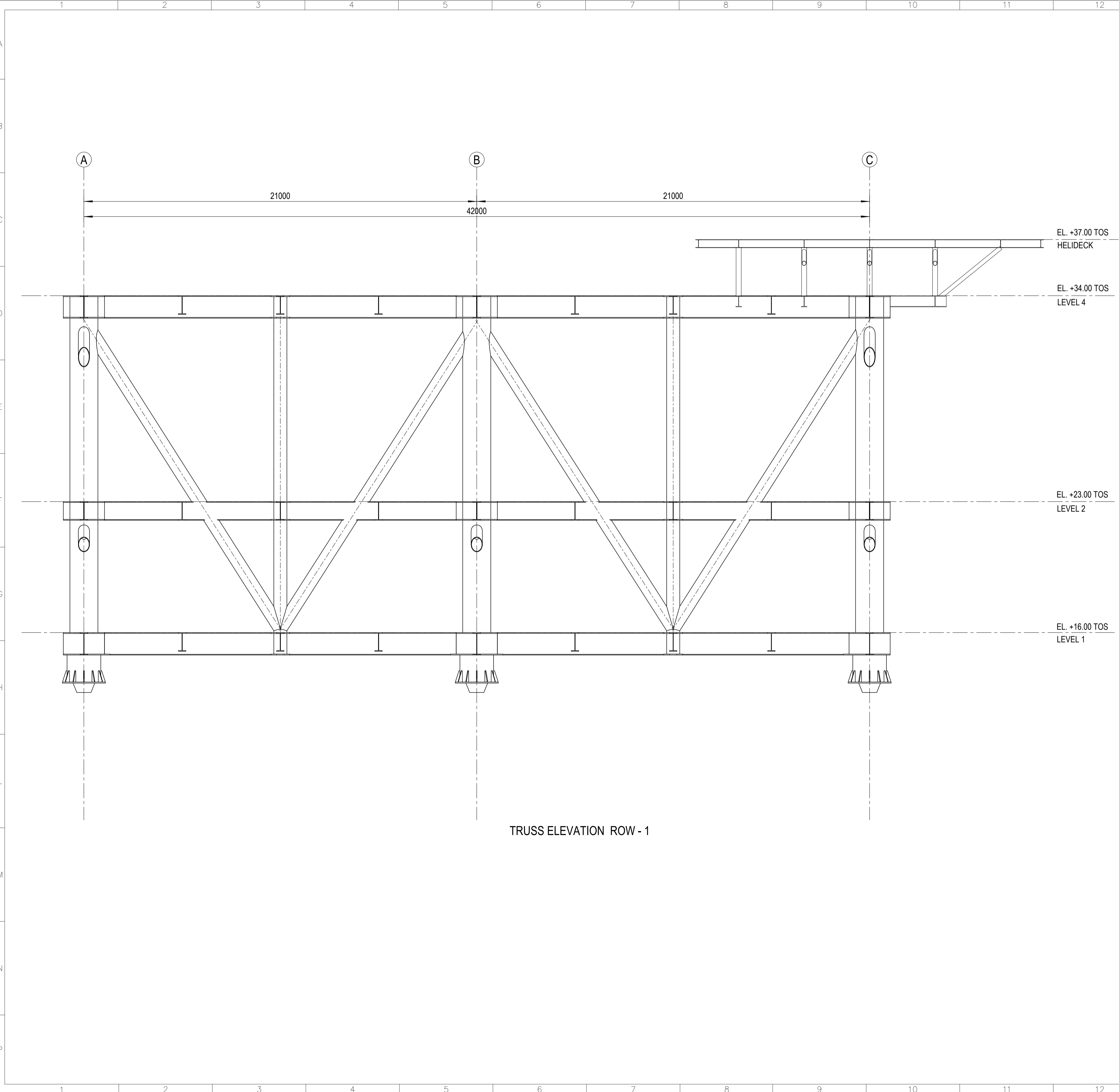
Rev.	Date	Created by	Checked by	Approved by	Description
00	26.07.2023	FM	GP	MT	First Issue

Customer	Project	Customer Document ID
Barium Bay Srl	Barium Bay Offshore Substations	-
Project ID	Replacing	Based on
12085	-	-
Responsible Department	Created by	Checked by
-	Fabio Maroni	Giulio Pascolini
	Approved by	Document ID
	Mauro Tavola	12085-CDD-208
	Title	Rev.
	SUBSTATION 2 TOPSIDES - ROW C	Rel. Date
		Page
	00	26.07.2023
		1/1

File name: 12085-CDD-208_00.dwg



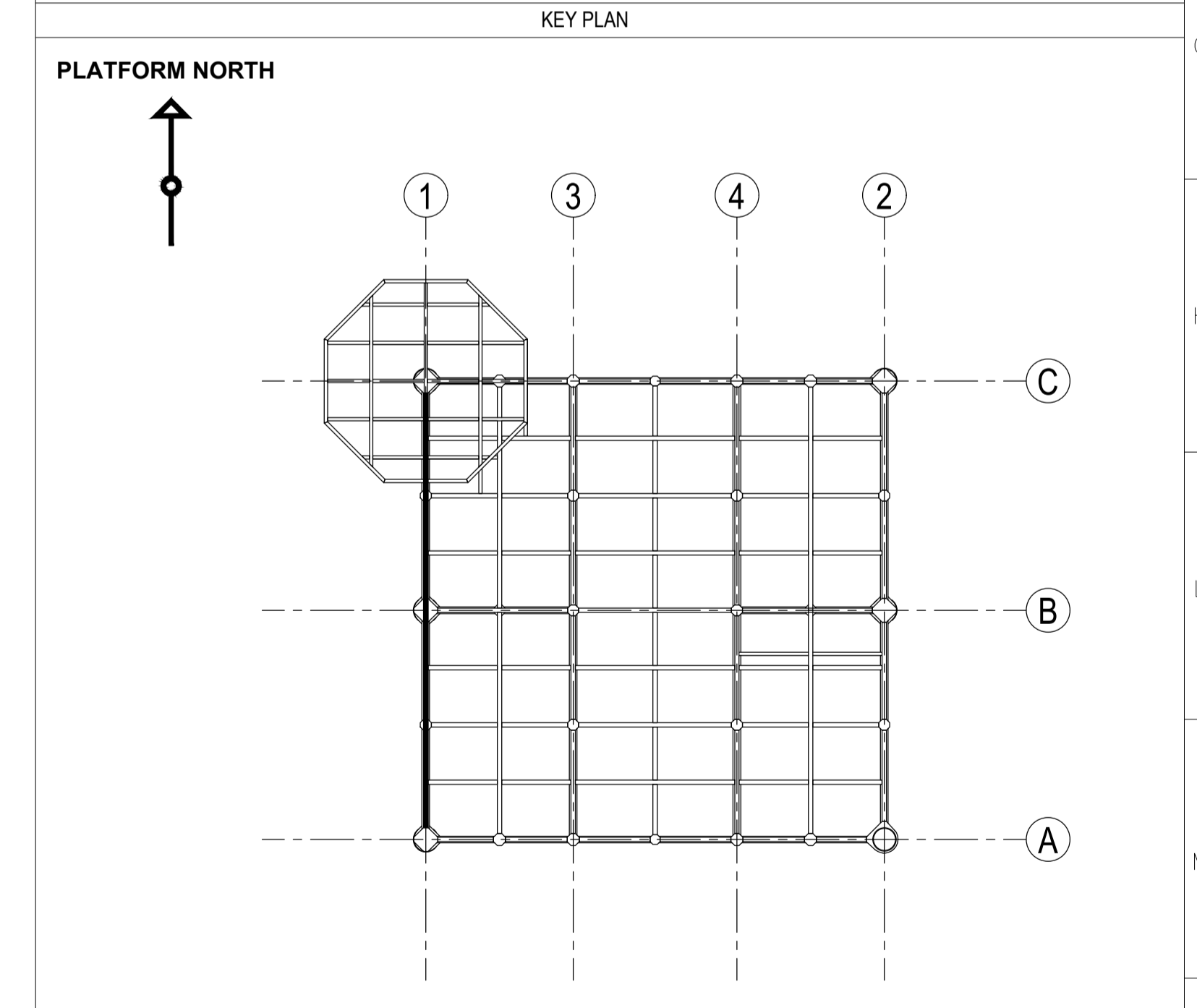
Mod. UNI-A1/20



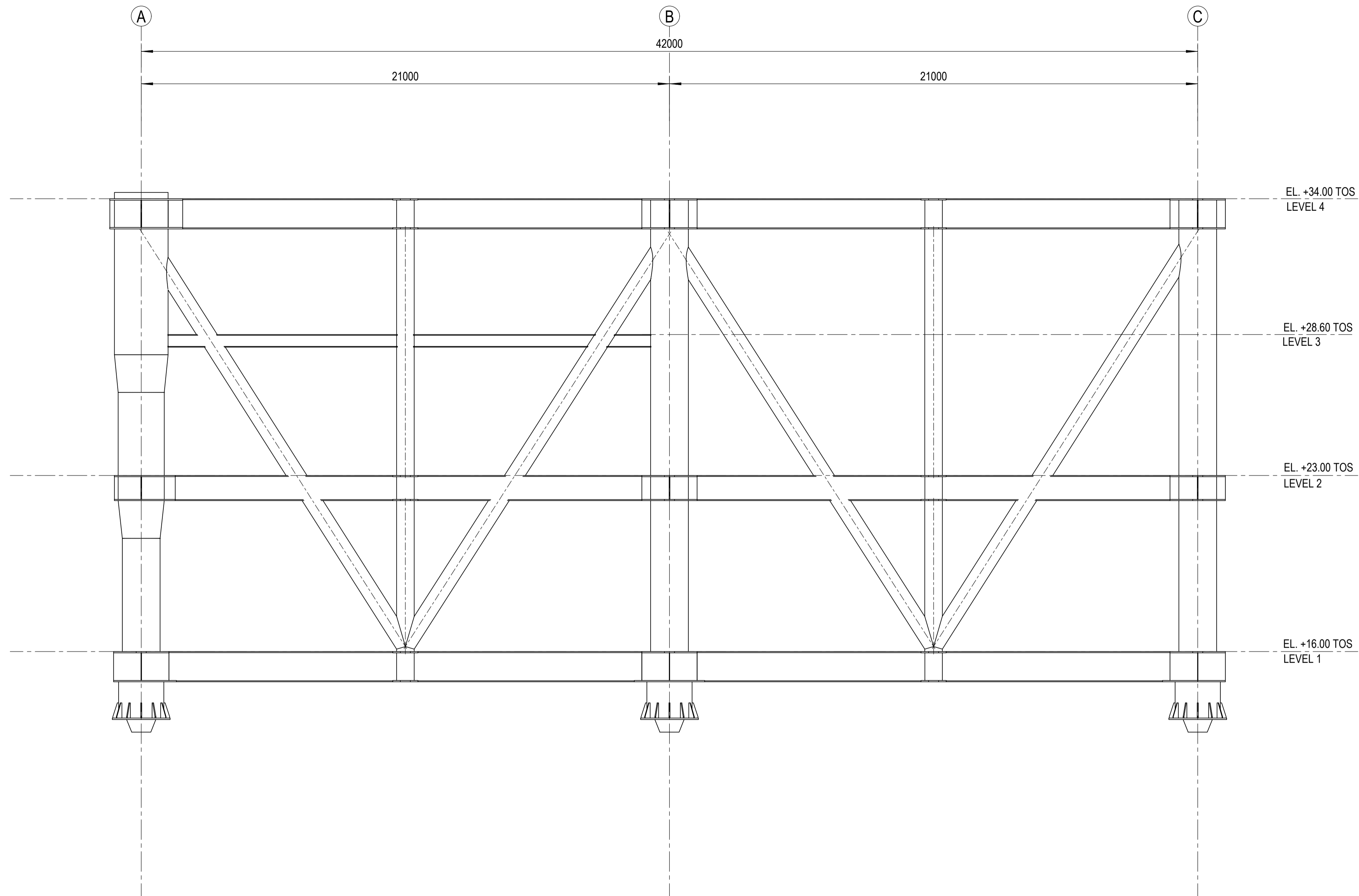
REFERENCE DOCUMENTS		
REF	DOC TAG	DESCRIPTION
1	12085-CDD-200	SUBSTATION 2 - ASSEMBLY - ISOMETRIC VIEW

NOTES

1 - ALL DIMENSIONS ARE IN mm U.N.O.
 2 - ALL ELEVATION ARE IN m REFERRED TO L.A.T.



00	26.07.2023	FM	GP	MT	First Issue
Rev.	Date	Created by	Checked by	Approved by	Description
Customer Barium Bay Srl		Project Barium Bay Offshore Substations		Customer Document ID -	
Project ID 12085		Replacing -		Based on -	
Responsible Department -		Created by Fabio Maroni		Checked by Giulio Pascolini	
Title SUBSTATION 2 TOPSIDES - ROW 1		Approved by Mauro Tavola		Document ID 12085-CDD-209	
Rev.		Rel. Date		Page	
KKS-NO.: -		00		26.07.2023 1/1	

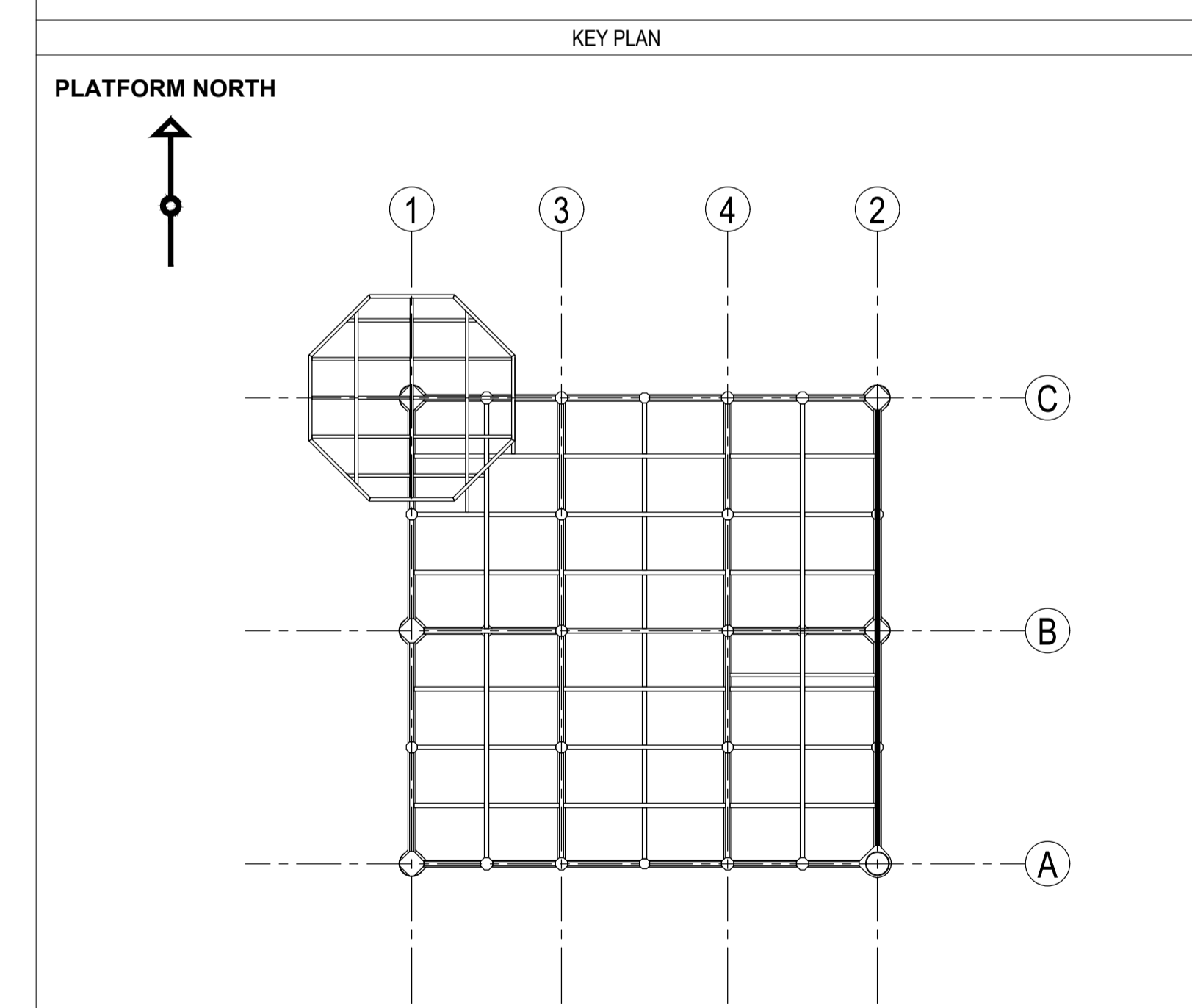


TRUSS ELEVATION ROW - 2

REFERENCE DOCUMENTS		
REF	DOC TAG	DESCRIPTION
1	12085-CDD-200	SUBSTATION 2 - ASSEMBLY - ISOMETRIC VIEW

NOTES

1 - ALL DIMENSIONS ARE IN mm U.N.O.
 2 - ALL ELEVATION ARE IN m REFERRED TO L.A.T.



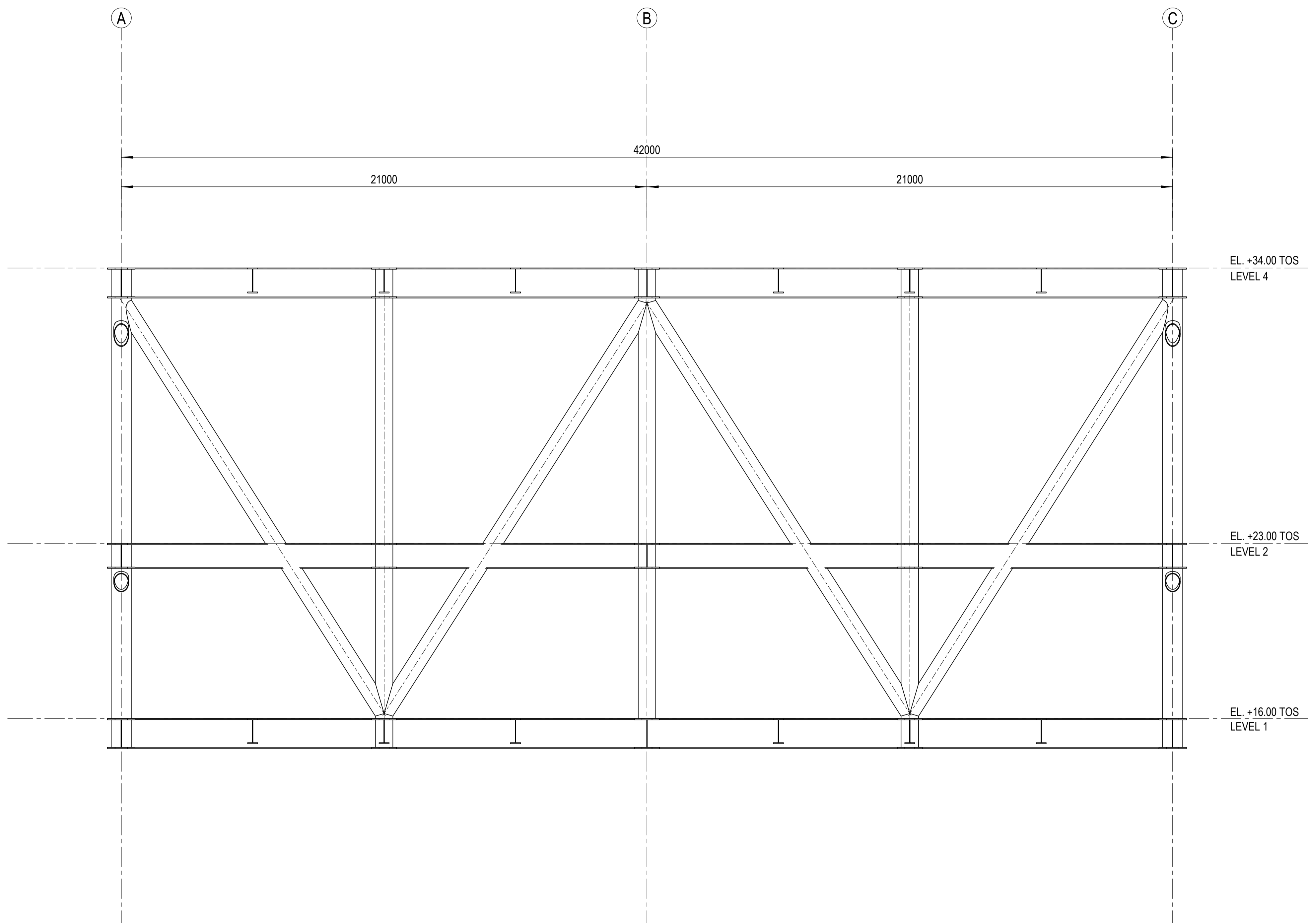
Rev.	Date	Created by	Checked by	Approved by	Description
00	26.07.2023	FM	GP	MT	First Issue

Customer	Project	Customer Document ID
Barium Bay Srl	Barium Bay Offshore Substations	-
Project ID	Replacing	Based on
12085	-	-
Responsible Department	Created by	Checked by
-	Fabio Maroni	Giulio Pascolini
	Approved by	Document ID
	Mauro Tavola	12085-CDD-210
	Title	Rev.
	SUBSTATION 2 TOPSIDES - ROW 2	Rel. Date
		Page
	00	26.07.2023
		1/1

File name: 12085-CDD-210_00.dwg



Mod. UNI-A1/20

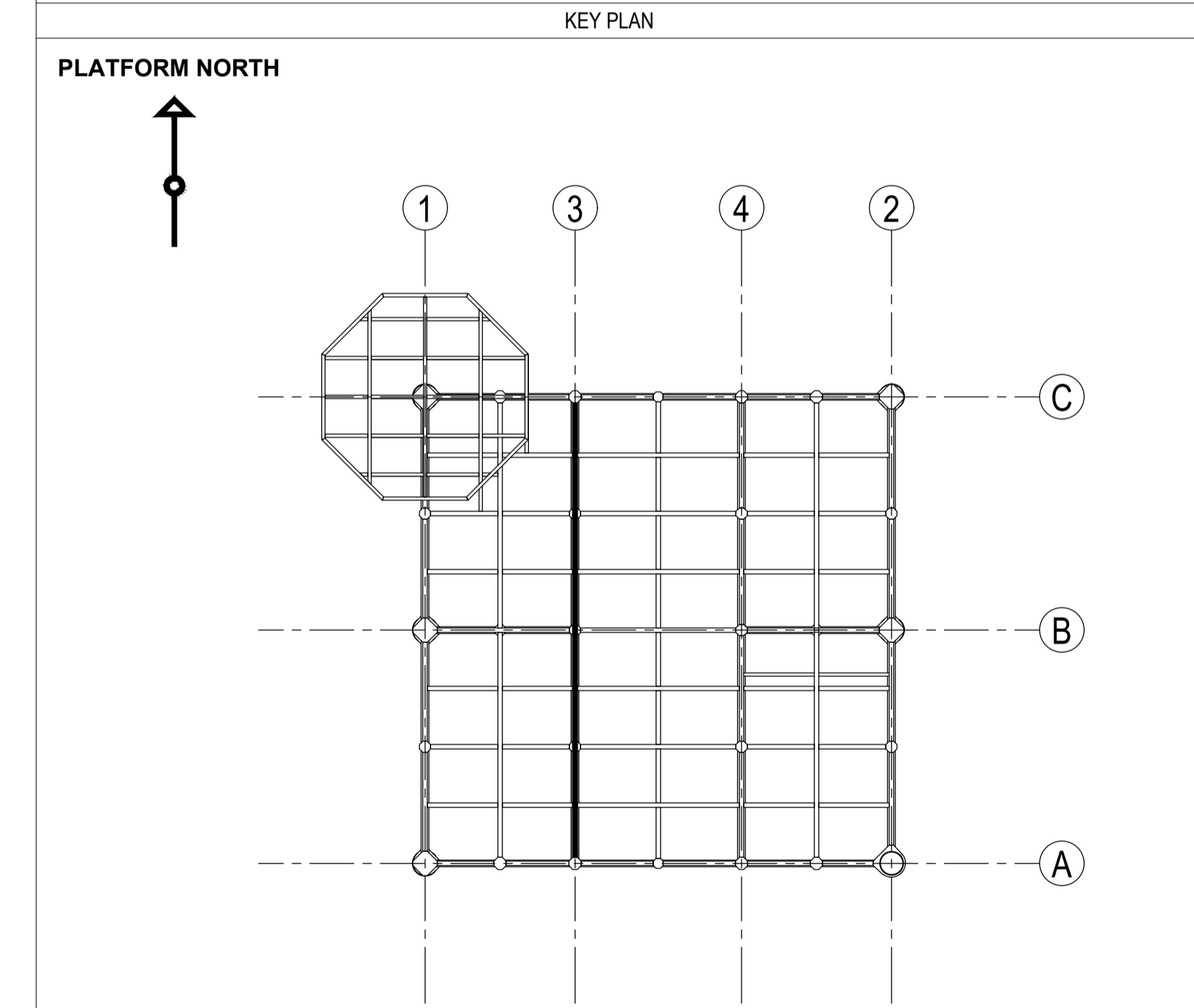


TRUSS ELEVATION ROW - 3

REFERENCE DOCUMENTS		
REF	DOC TAG	DESCRIPTION
1	12085-CDD-200	SUBSTATION 2 - ASSEMBLY - ISOMETRIC VIEW

NOTES

1 - ALL DIMENSIONS ARE IN mm U.N.O.
 2 - ALL ELEVATION ARE IN m REFERRED TO L.A.T.

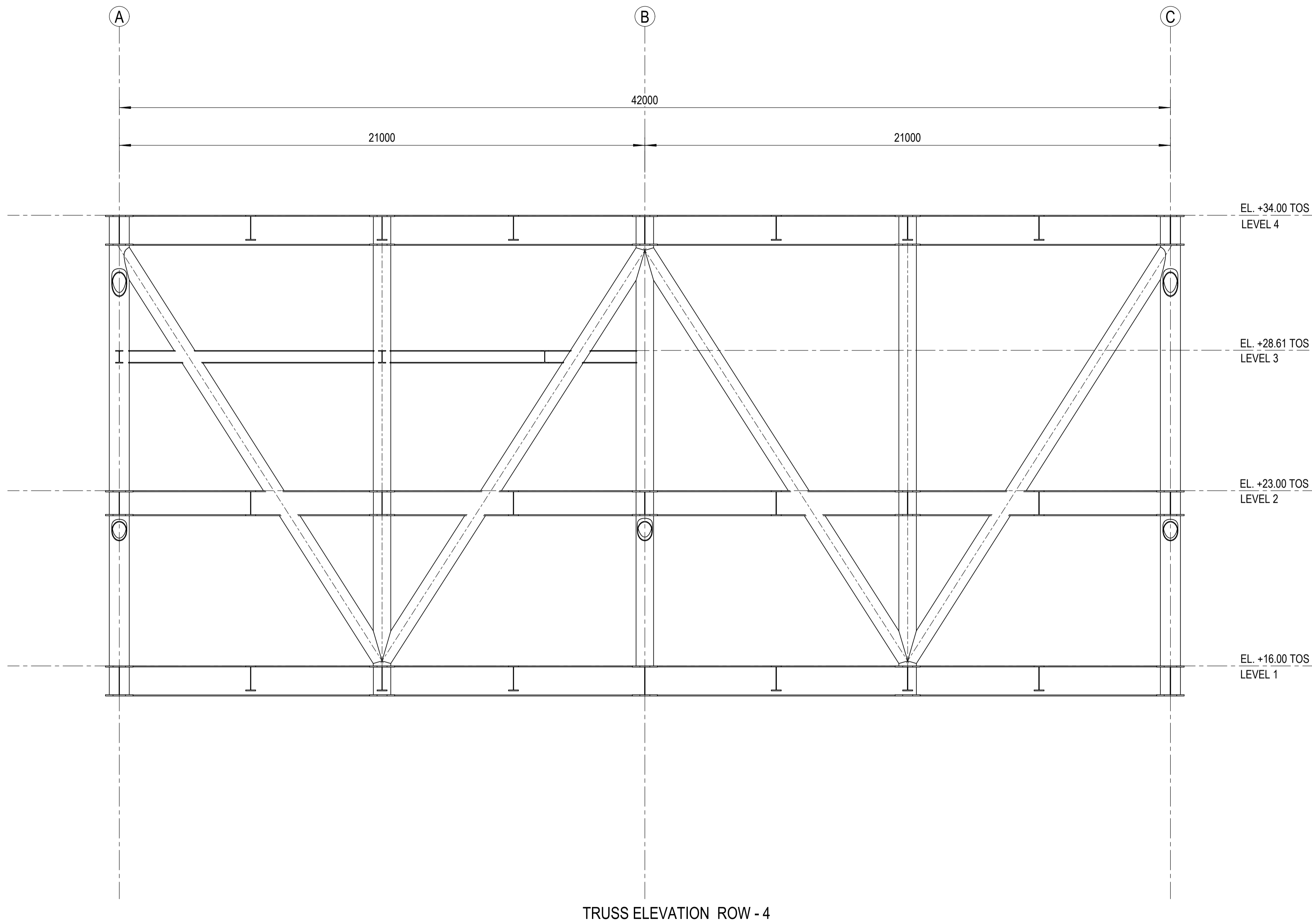


00	26.07.2023	FM	GP	MT	First Issue
Rev.	Date	Created by	Checked by	Approved by	Description
Customer Barium Bay Srl		Project Barium Bay Offshore Substations			Customer Document ID -
Project ID 12085		Replacing -		Based on -	Scale 1:100
Responsible Department -		Created by Fabio Maroni	Checked by Giulio Pascolini	Approved by Mauro Tavola	
Title SUBSTATION 2 TOPSIDES - ROW 3		Document ID 12085-CDD-211		Page 1/1	
KKS-NO.: -		Rev. 00	Rel. Date 26.07.2023	Page 1/1	

File name: 12085-CDD-211_00.dwg



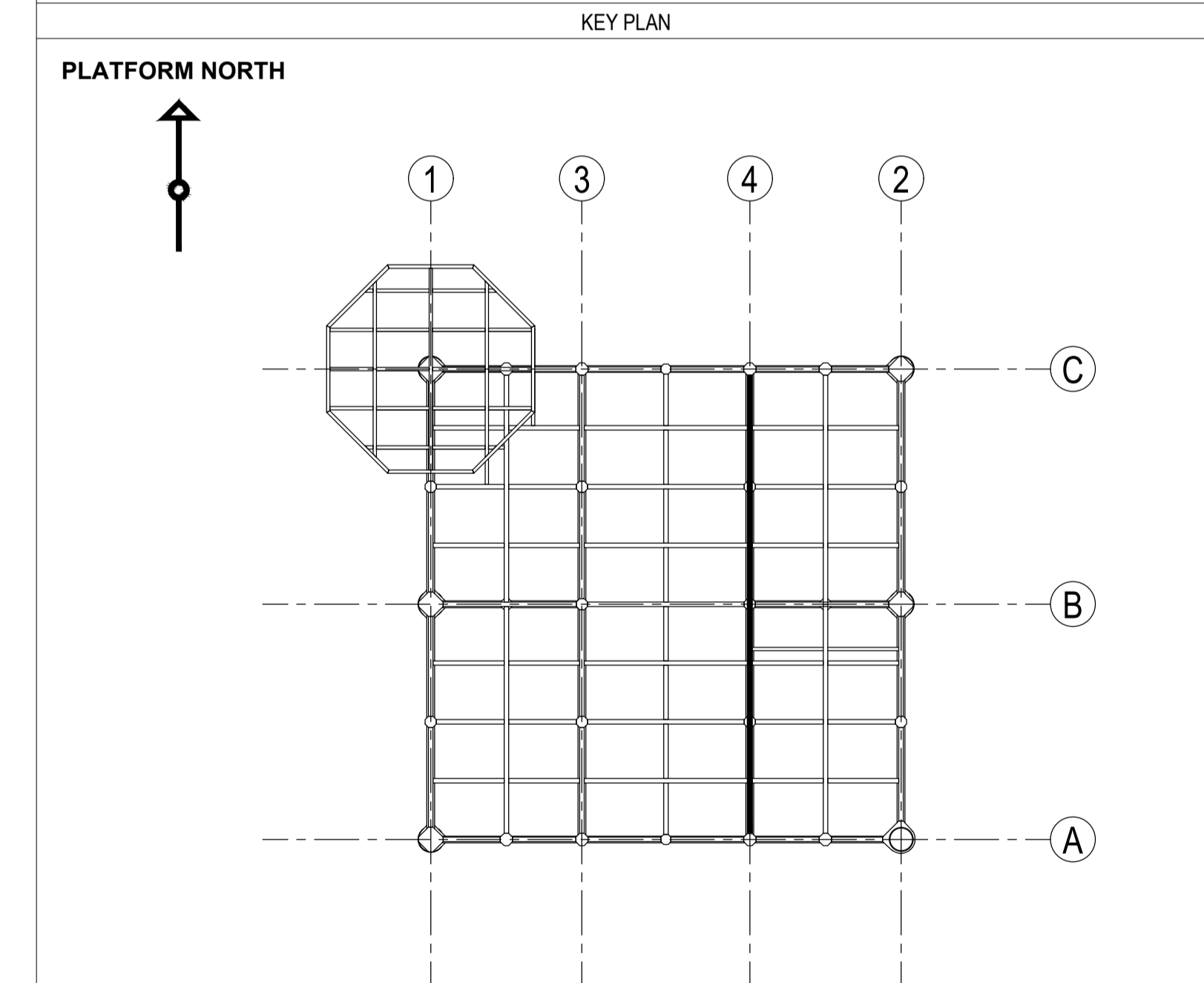
Mod. UNI - A1/20



REFERENCE DOCUMENTS		
REF	DOC TAG	DESCRIPTION
1	12085-CDD-200	SUBSTATION 2 - ASSEMBLY - ISOMETRIC VIEW

NOTES

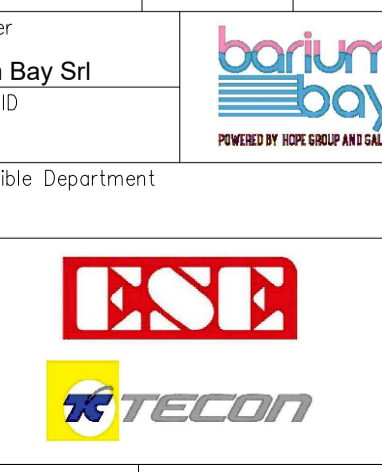
1 - ALL DIMENSIONS ARE IN mm U.N.O.
 2 - ALL ELEVATION ARE IN m REFERRED TO L.A.T.



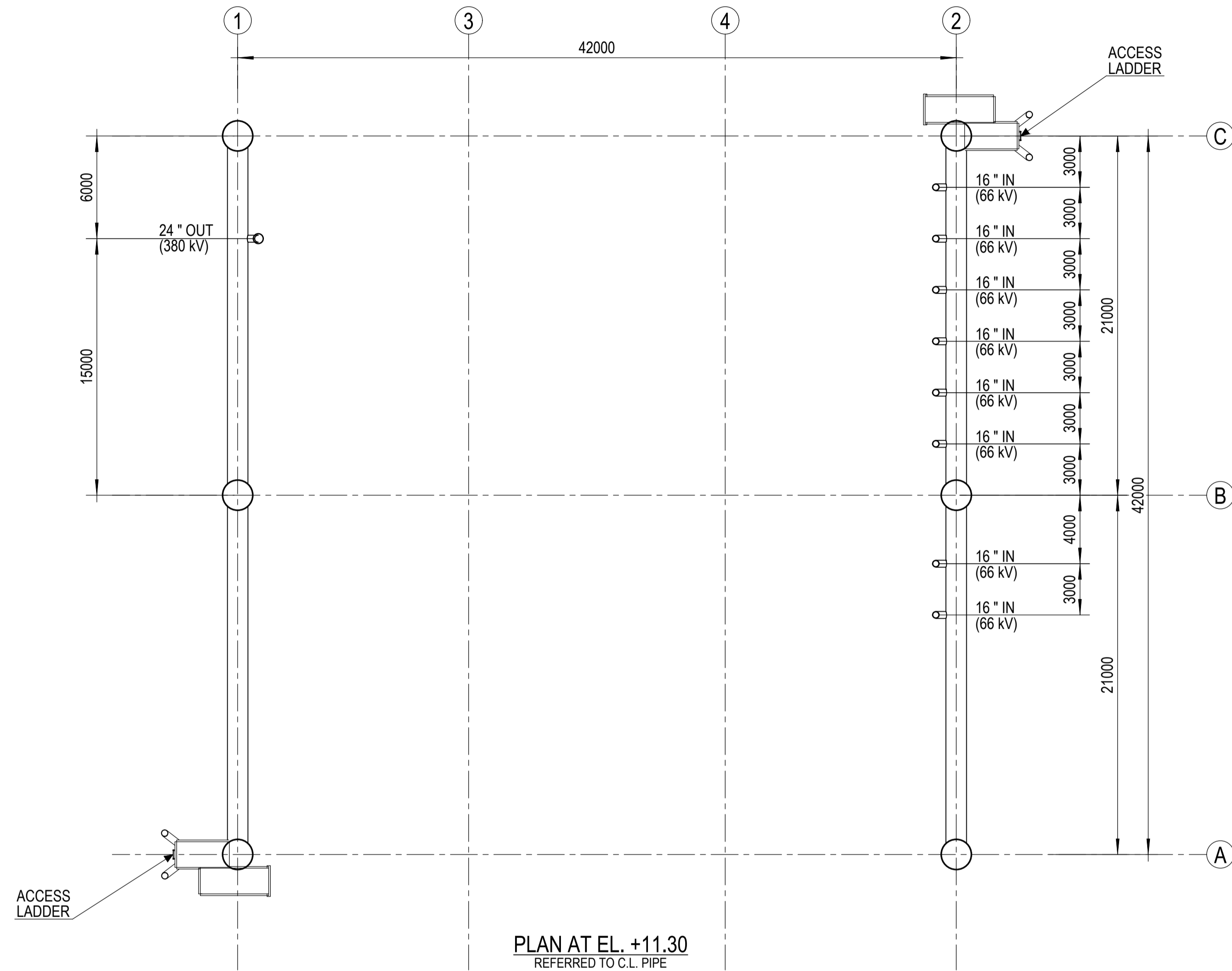
Rev.	Date	Created by	Checked by	Approved by	Description
00	26.07.2023	FM	GP	MT	First Issue

Customer	Project	Customer Document ID
Barium Bay Srl	Barium Bay Offshore Substations	-
Project ID	Replacing	Based on
12085	-	-
Responsible Department	Created by	Checked by
-	Fabio Maroni	Giulio Pascolini
Title	Document ID	Scale
SUBSTATION 2 TOPSIDES - ROW 4	12085-CDD-212	1:100
KKS-NO.: -	Rev.	Rel. Date
-	00	26.07.2023
-	Page	1/1

File name: 12085-CDD-212_00.dwg



PLATFORM NORTH



PLAN AT EL. +11.30
REFERRED TO C.L. PIPE

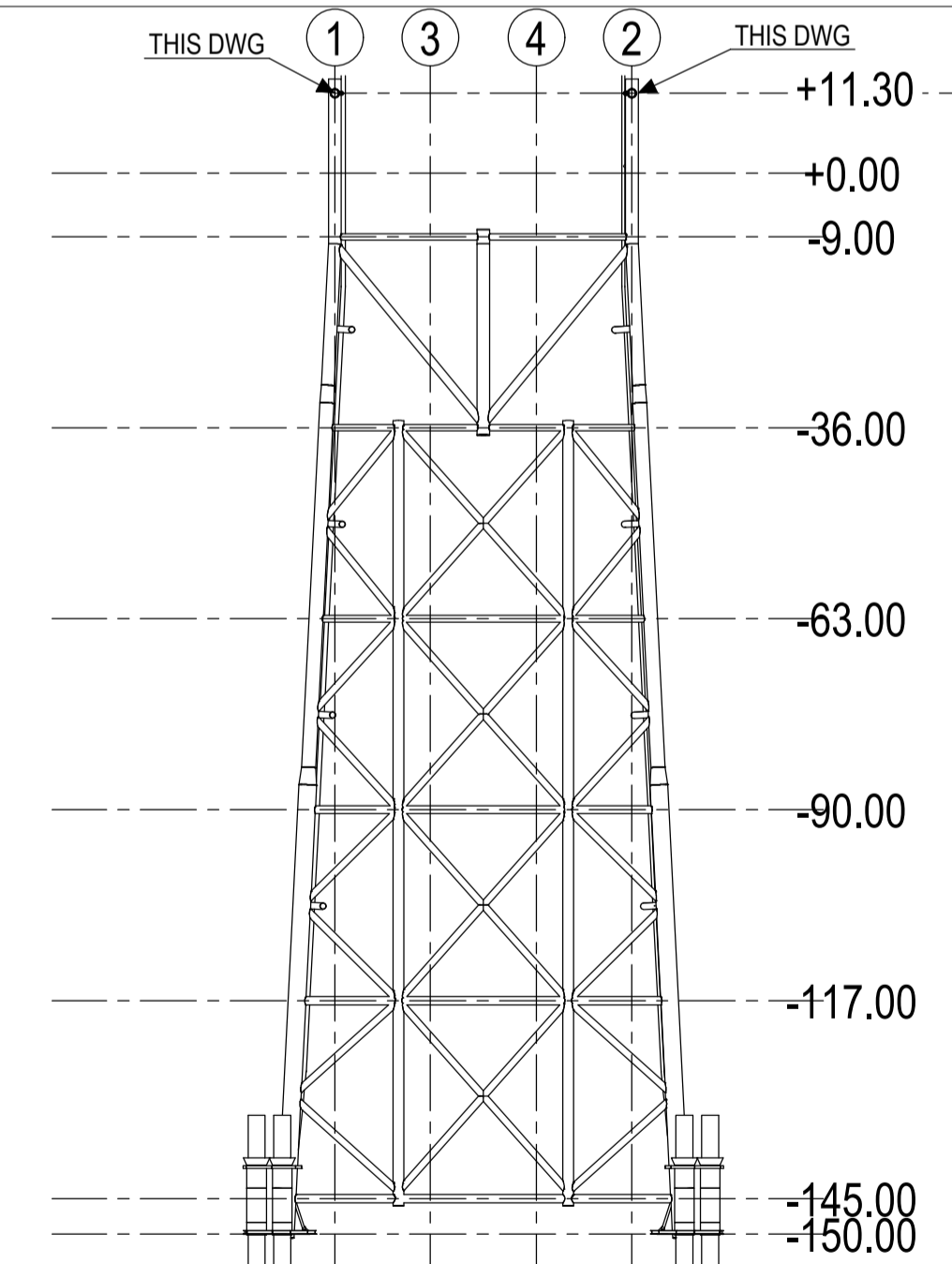
REFERENCE DOCUMENTS

REF	DOC TAG	DESCRIPTION
1	12085-CDD-200	SUBSTATION 2 - ASSEMBLY - ISOMETRIC VIEW

NOTES

- 1 - ALL DIMENSIONS ARE IN mm U.N.O.
- 2 - ALL ELEVATION ARE IN m REFERRED TO L.A.T.

KEY ELEVATION

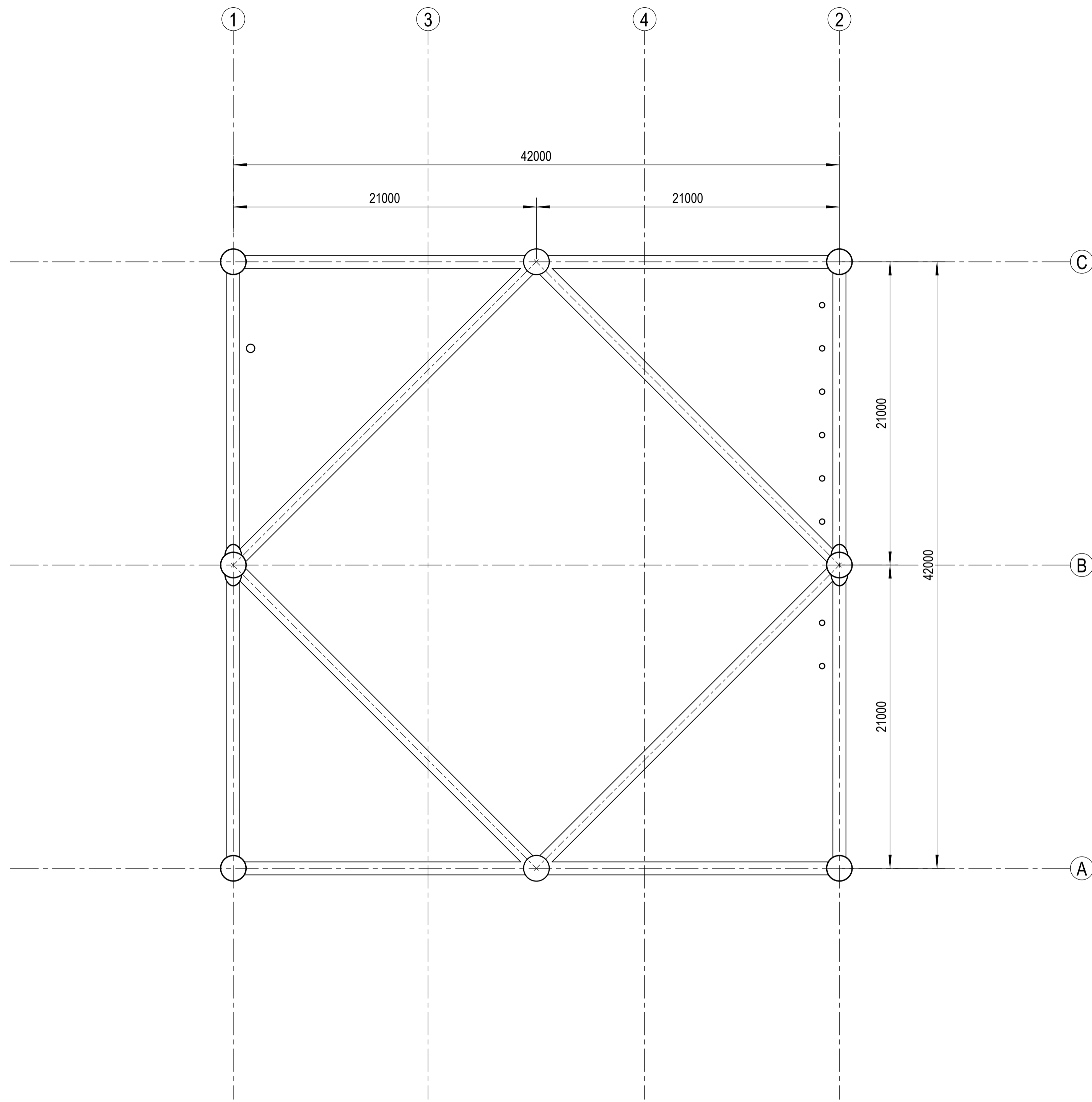


Rev.	Date	Created by	Checked by	Approved by	Description
00	26.07.2023	FM	GP	MT	First Issue
Customer		Project		Customer Document ID	
Barium Bay Srl		Barium Bay Offshore Substations		-	
Project ID		Replacing		Based on	
12085		-		-	
Responsible Department		Created by		Checked by	
-		Fabio Maroni		Giulio Pascolini	
Title		Document ID		Scale	
SUBSTATION 2		12085-CDD-213		1:200	
JACKET - PLAN AT EL. +11.30		-		Format	
-		-		A1	
Approved by		Title		Document ID	
Mauro Tavola		-		-	
Rev.		Rel. Date		Page	
00		26.07.2023		1/1	

File name: 12085-CDD-213_00.dwg



PLATFORM NORTH

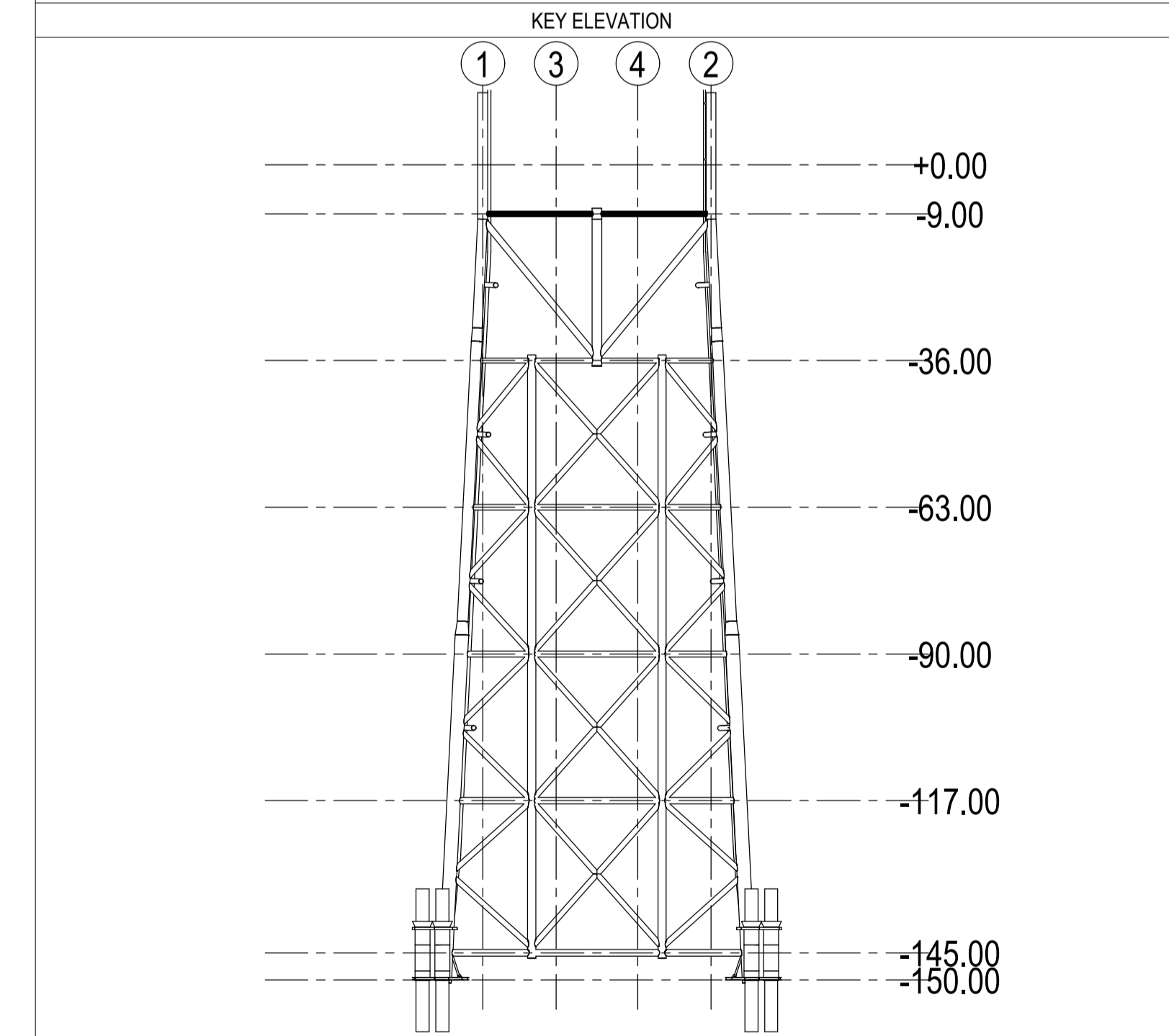


PLAN AT EL. -9.00
REFERRED TO C.L. PIPE

REFERENCE DOCUMENTS		
REF	DOC TAG	DESCRIPTION
1	12085-CDD-200	SUBSTATION 2 - ASSEMBLY - ISOMETRIC VIEW

NOTES

1 - ALL DIMENSIONS ARE IN mm U.N.O.
2 - ALL ELEVATION ARE IN m REFERRED TO L.A.T.



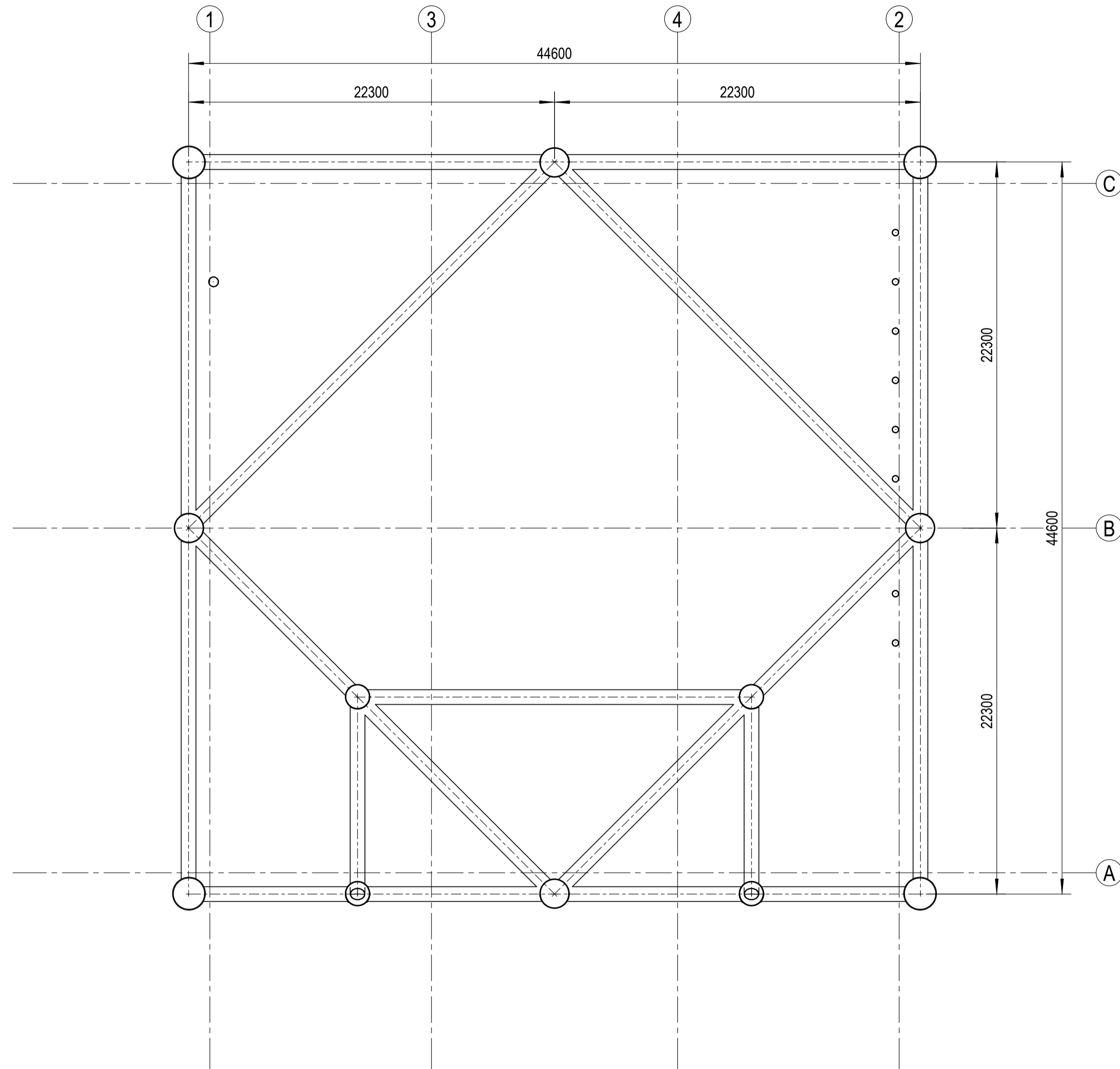
00	26.07.2023	FM	GP	MT	First Issue
Rev.	Date	Created by	Checked by	Approved by	Description
Customer		Project			Customer Document ID
Barium Bay Srl		Barium Bay Offshore Substations			-
Project ID		Replacing		Based on	Scale
12085		-		-	1:200
Responsible Department		Created by		Checked by	Approved by
-		Fabio Maroni		Giulio Pascolini	Mauro Tavola
Title		Document ID			
SUBSTATION 2		12085-CDD-214			
JACKET - PLAN AT EL. -9.00		Rev.		Rel. Date	Page
KKS-NO.: -		00		26.07.2023	1/1

File name: 12085-CDD-214_00.dwg



Mod. UNI - AT/0

PLATFORM NORTH

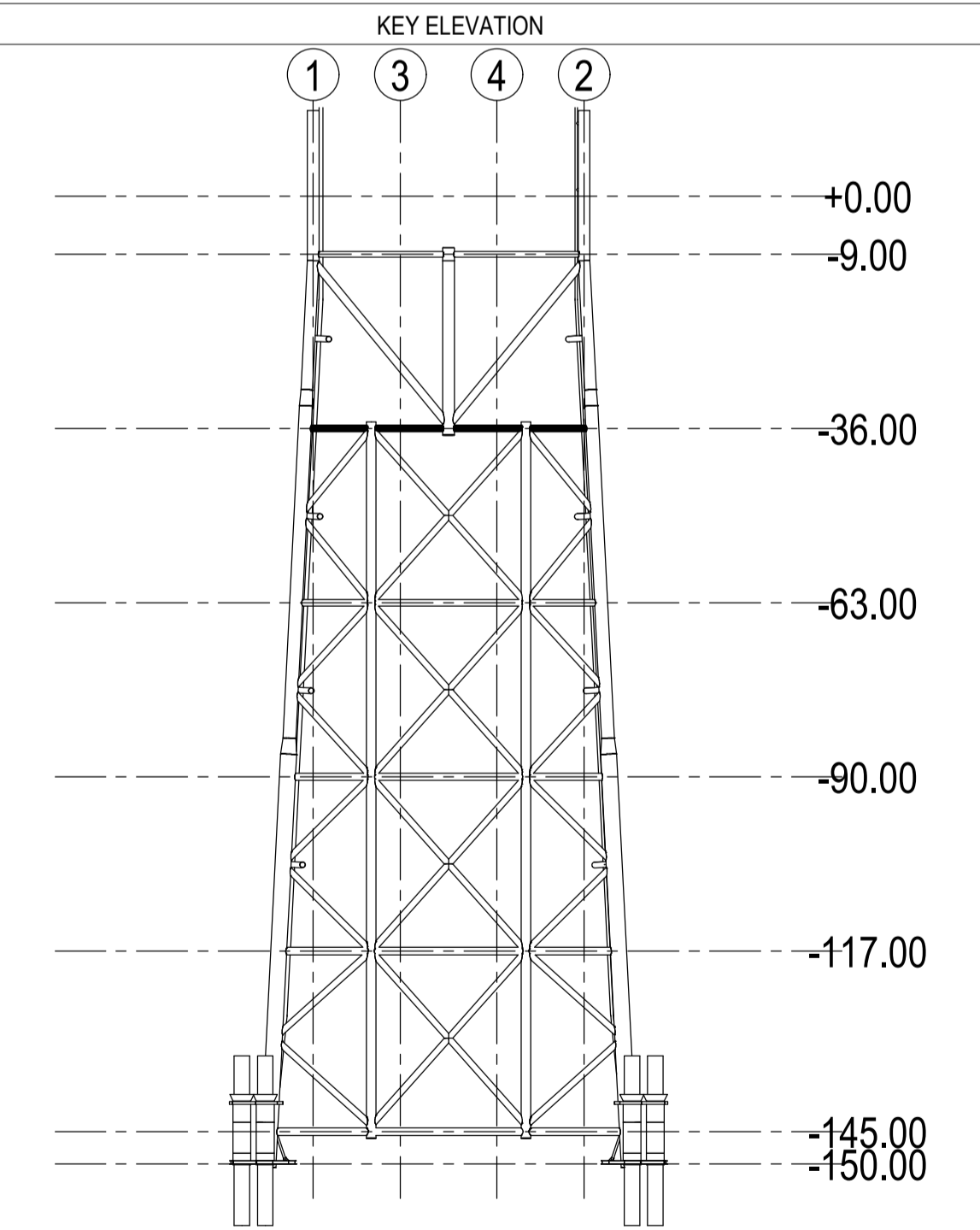


PLAN AT EL. -36.00
REFERRED TO C.L. PIPE



REFERENCE DOCUMENTS		
REF	DOC TAG	DESCRIPTION
1	12085-CDD-200	SUBSTATION 2 - ASSEMBLY - ISOMETRIC VIEW

NOTES

1 - ALL DIMENSIONS ARE IN mm U.N.O.
2 - ALL ELEVATION ARE IN m REFERRED TO L.A.T.



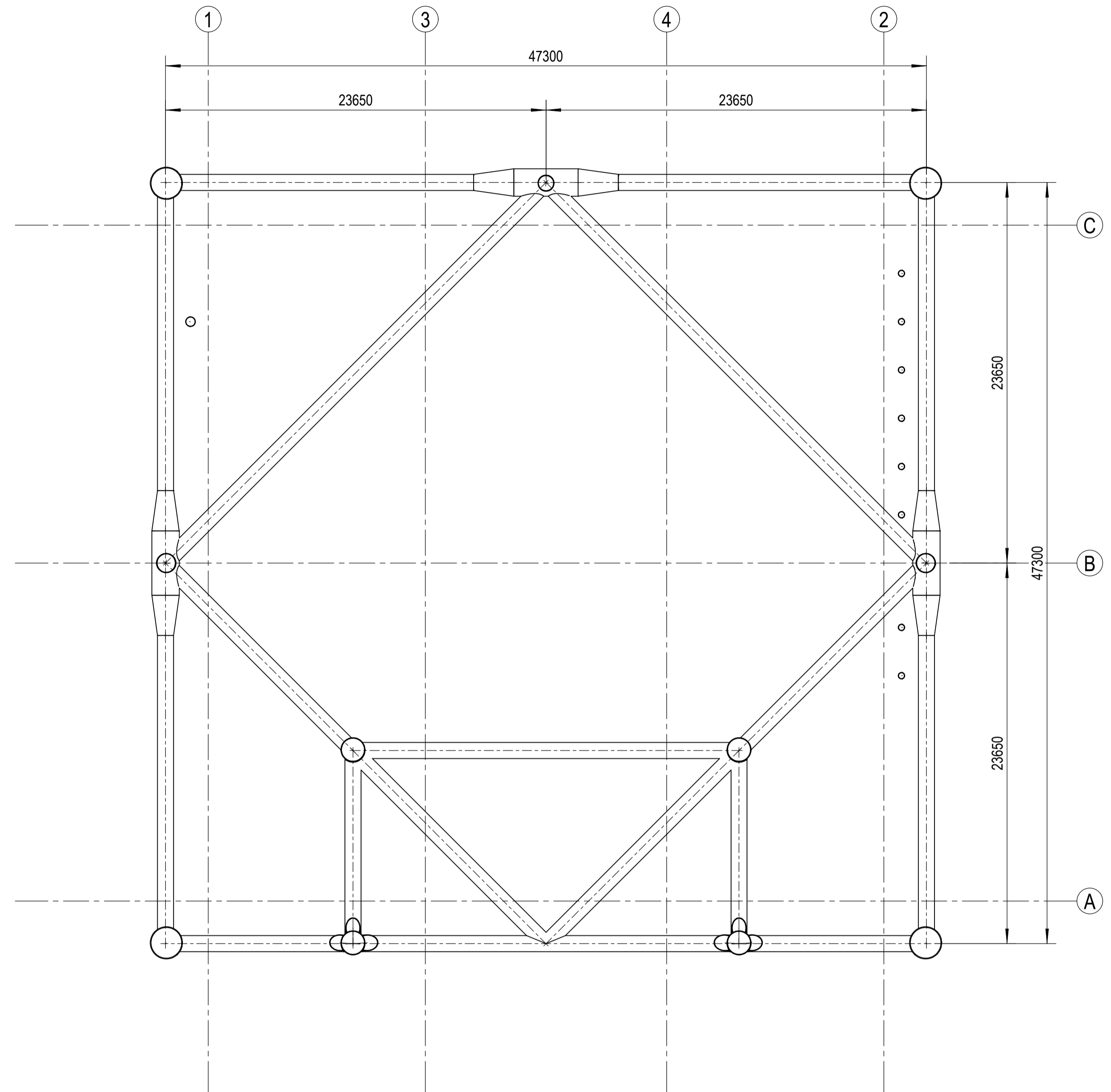
Rev.	Date	Created by	Checked by	Approved by	Description
00	26.07.2023	FM	GP	MT	First Issue

Customer	Barium Bay Srl	Project	Barium Bay Offshore Substations	Customer Document ID	-
Project ID	12085	Replacing	-	Scale	1:200
Responsible Department	-	Created by	Fabio Maroni	Checked by	Giulio Pascolini
Approved by	-	Approved by	Mauro Tavola	Format	A1
				Title SUBSTATION 2 JACKET - PLAN AT EL. -36.00	
Document ID 12085-CDD-215		Rev.	00	Rel. Date	26.07.2023
Page 1/1					

File name: 12085-CDD-215_00.dwg

Mod. UNI - AT/0

PLATFORM NORTH

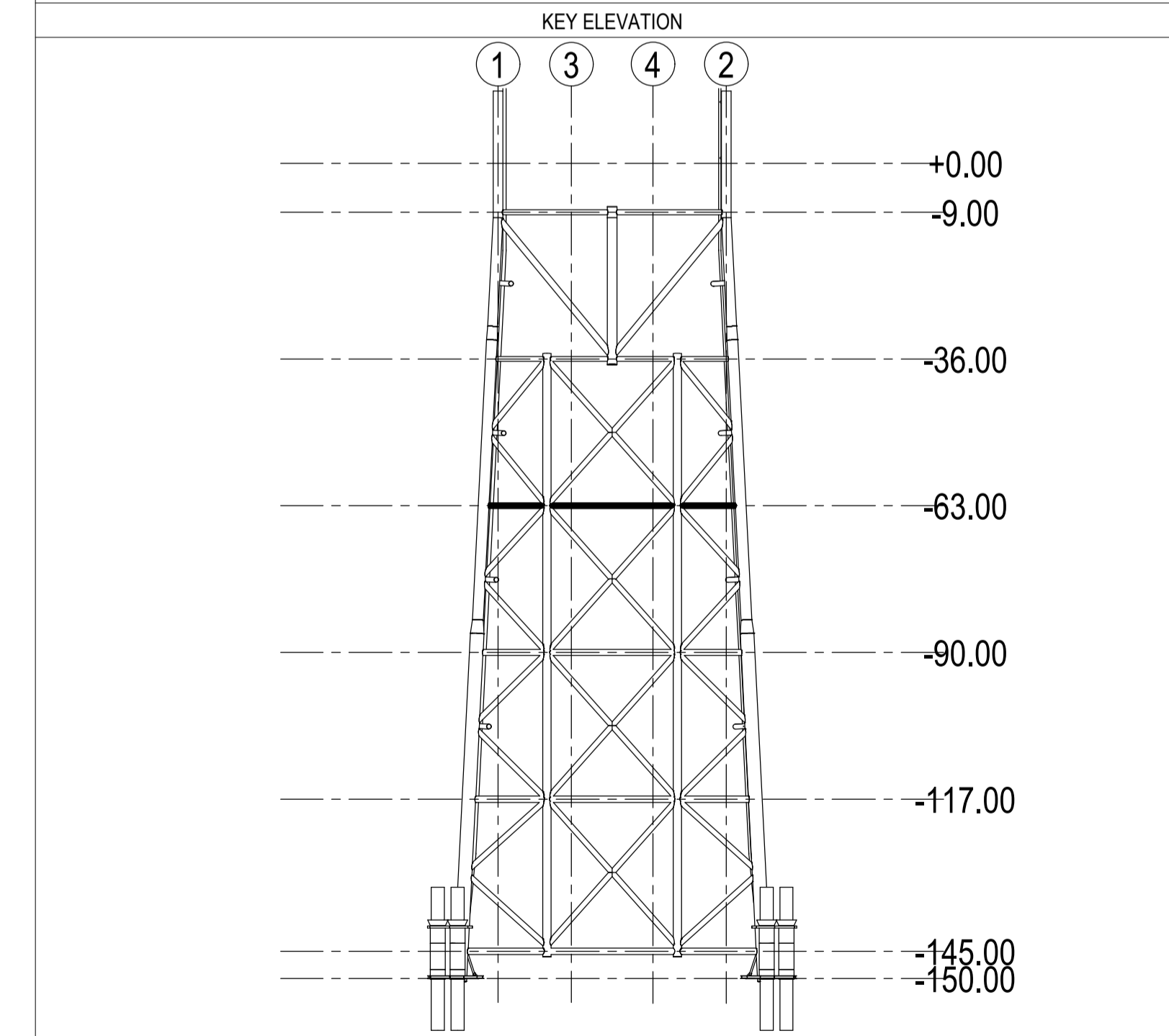


PLAN AT EL. -63.00
REFERRED TO C.L. PIPE

REFERENCE DOCUMENTS		
REF	DOC TAG	DESCRIPTION
1	12085-CDD-200	SUBSTATION 2 - ASSEMBLY - ISOMETRIC VIEW

NOTES

- 1 - ALL DIMENSIONS ARE IN mm U.N.O.
- 2 - ALL ELEVATION ARE IN m REFERRED TO L.A.T.



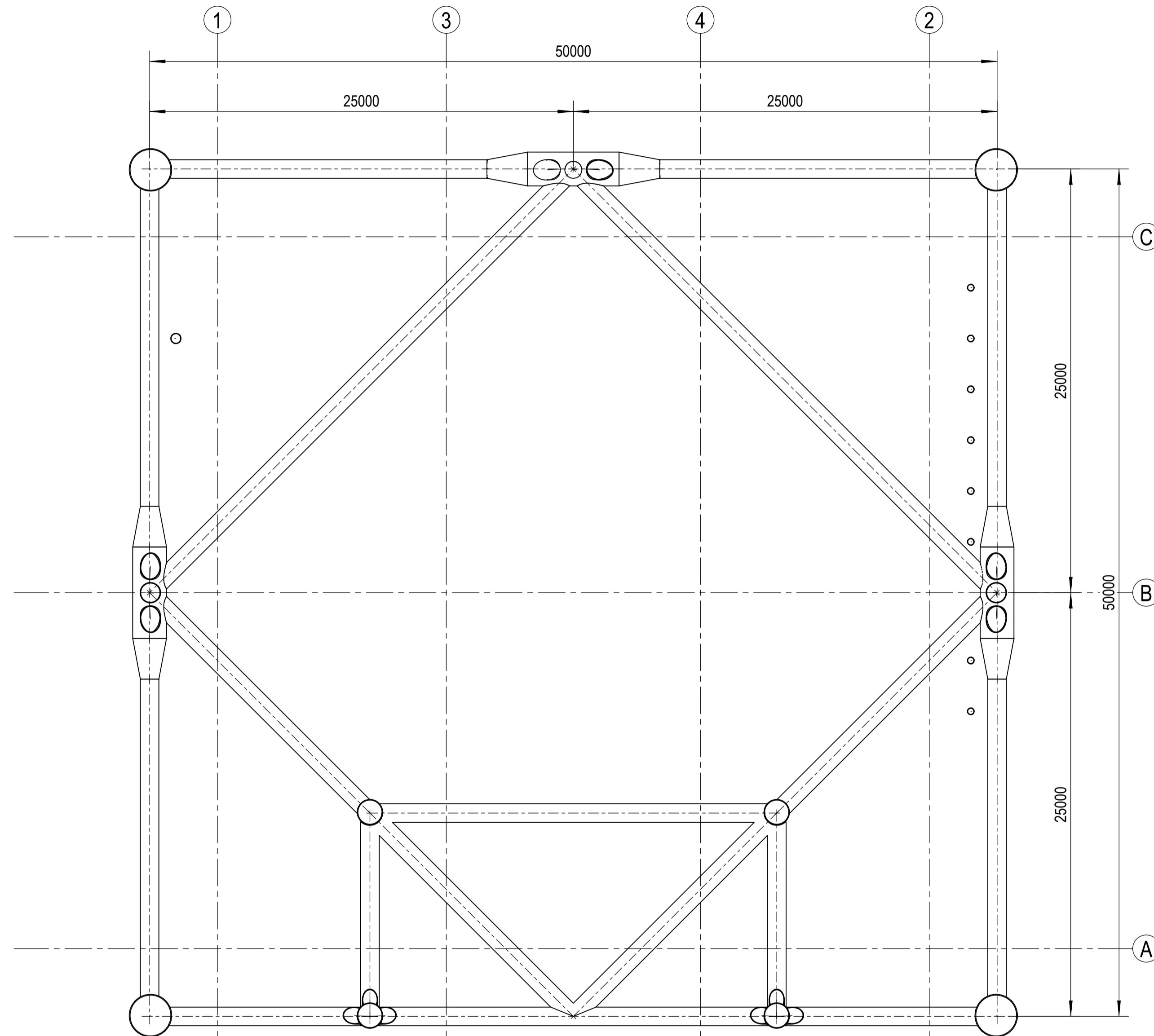
Rev.	Date	Created by	Checked by	Approved by	Description
00	26.07.2023	FM	GP	MT	First Issue

Customer	Project	Customer Document ID
Barium Bay Srl	Barium Bay Offshore Substations	-
Project ID	Replacing	Based on
12085	-	-
Responsible Department	Created by	Checked by
-	Fabio Maroni	Giulio Pascolini
	Approved by	Document ID
	Mauro Tavola	12085-CDD-216
	Title	Rev.
	SUBSTATION 2	Rel. Date
	JACKET - PLAN AT EL. -63.00	Page
	KKS-NO.: -	00
		26.07.2023
		1/1

File name: 12085-CDD-216_00.dwg



PLATFORM NORTH



PLAN AT EL. -90.00
REFERRED TO C.L. PIPE

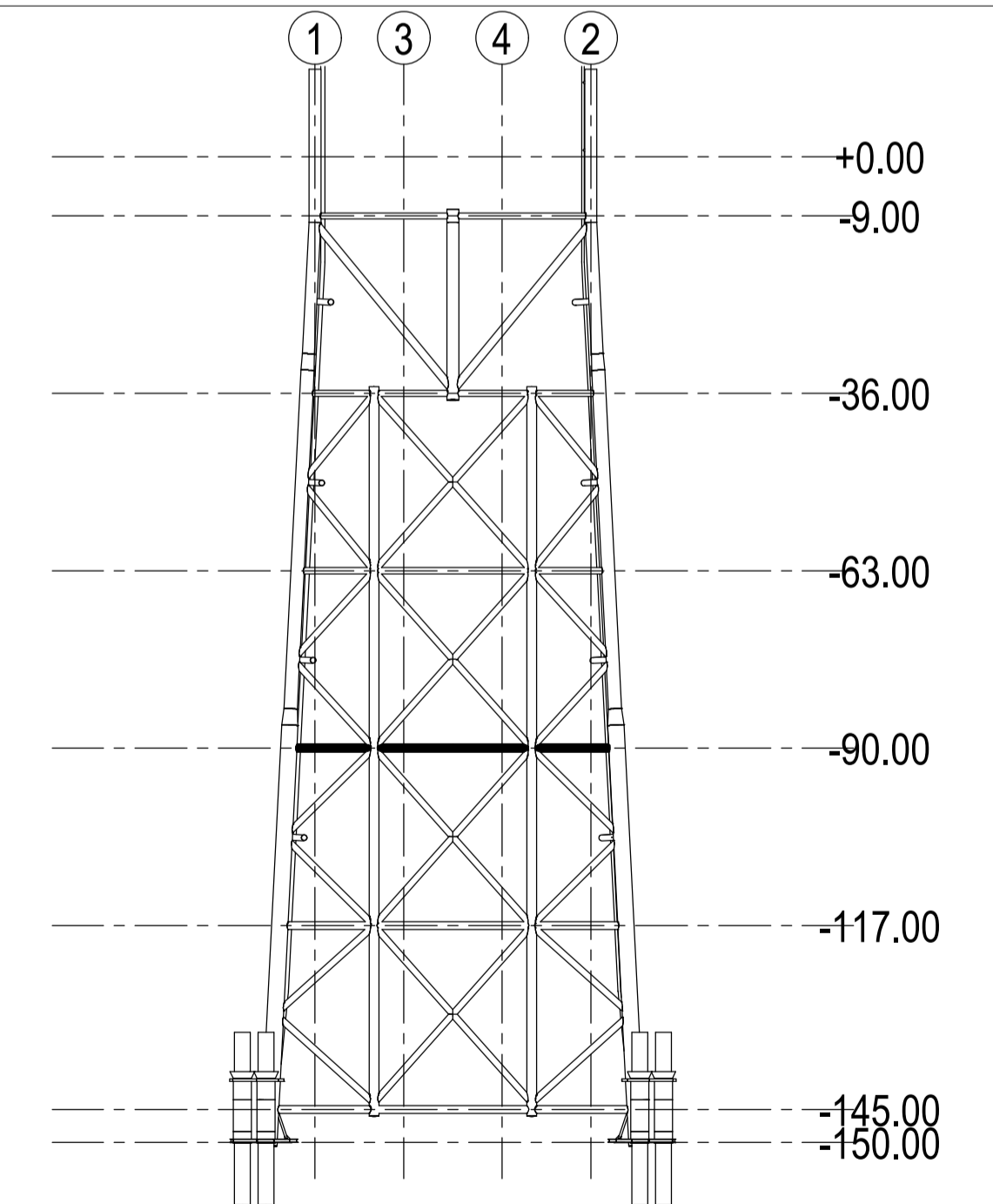
REFERENCE DOCUMENTS

REF	DOC TAG	DESCRIPTION
1	12085-CDD-200	SUBSTATION 2 - ASSEMBLY - ISOMETRIC VIEW

NOTES

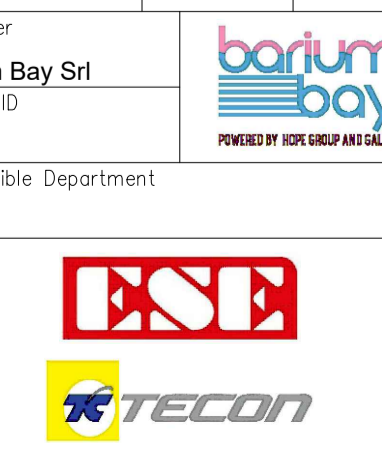
- 1 - ALL DIMENSIONS ARE IN mm U.N.O.
- 2 - ALL ELEVATION ARE IN m REFERRED TO L.A.T.

KEY ELEVATION

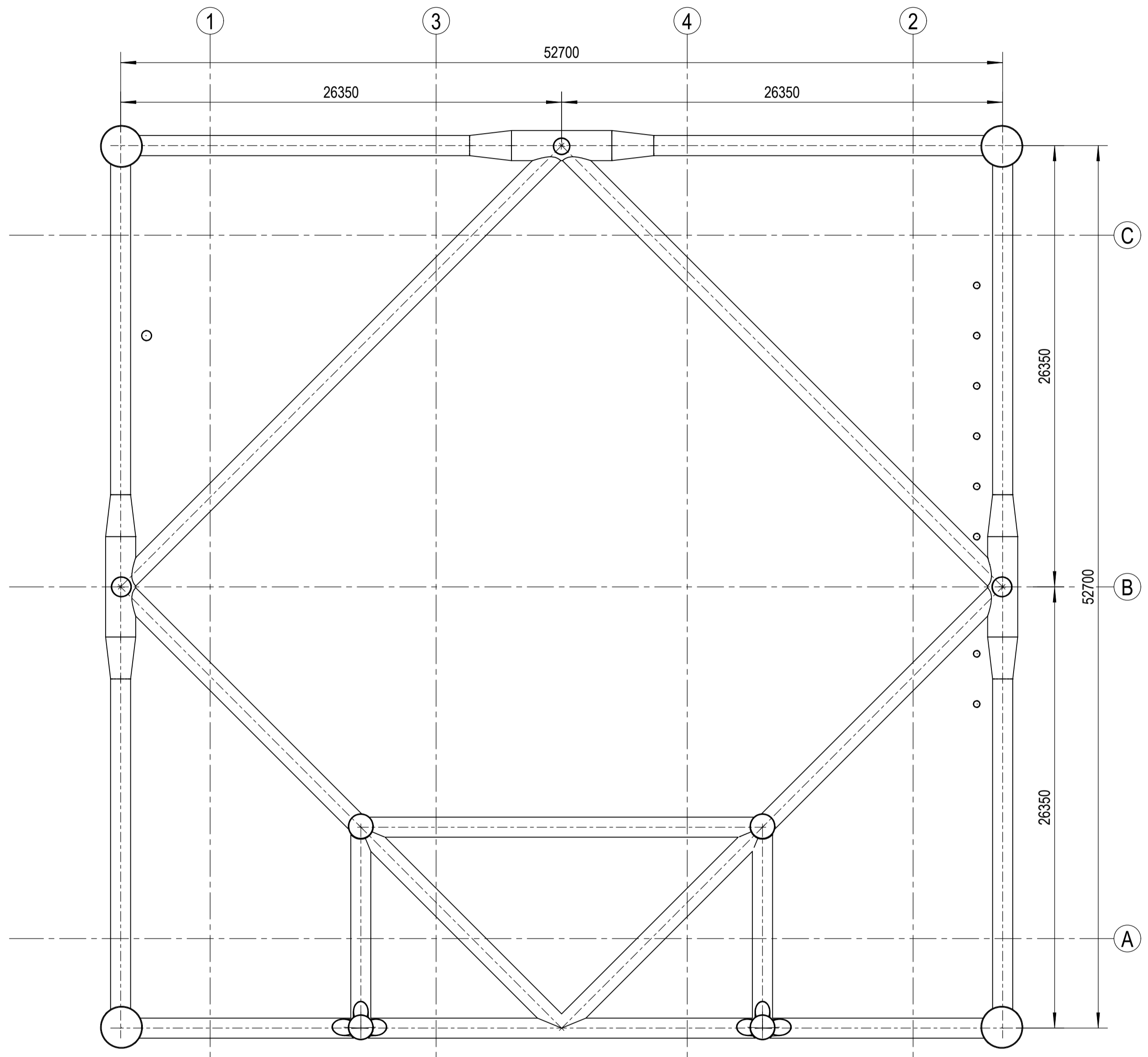


Rev.	Date	Created by	Checked by	Approved by	Description
00	26.07.2023	FM	GP	MT	First Issue
Customer		Project		Customer Document ID	
Barium Bay Srl		Barium Bay Offshore Substations		-	
Project ID		Replacing		Based on	
12085		-		-	
Responsible Department		Created by		Checked by	
-		Fabio Maroni		Giulio Pascolini	
Title		Document ID		Scale	
SUBSTATION 2		12085-CDD-217		1:200	
JACKET - PLAN AT EL. -90.00		Rev.		Format	
-		00		A1	
KKS-NO.: -		Rel. Date		Page	
-		26.07.2023		1/1	

File name: 12085-CDD-217_00.dwg



PLATFORM NORTH

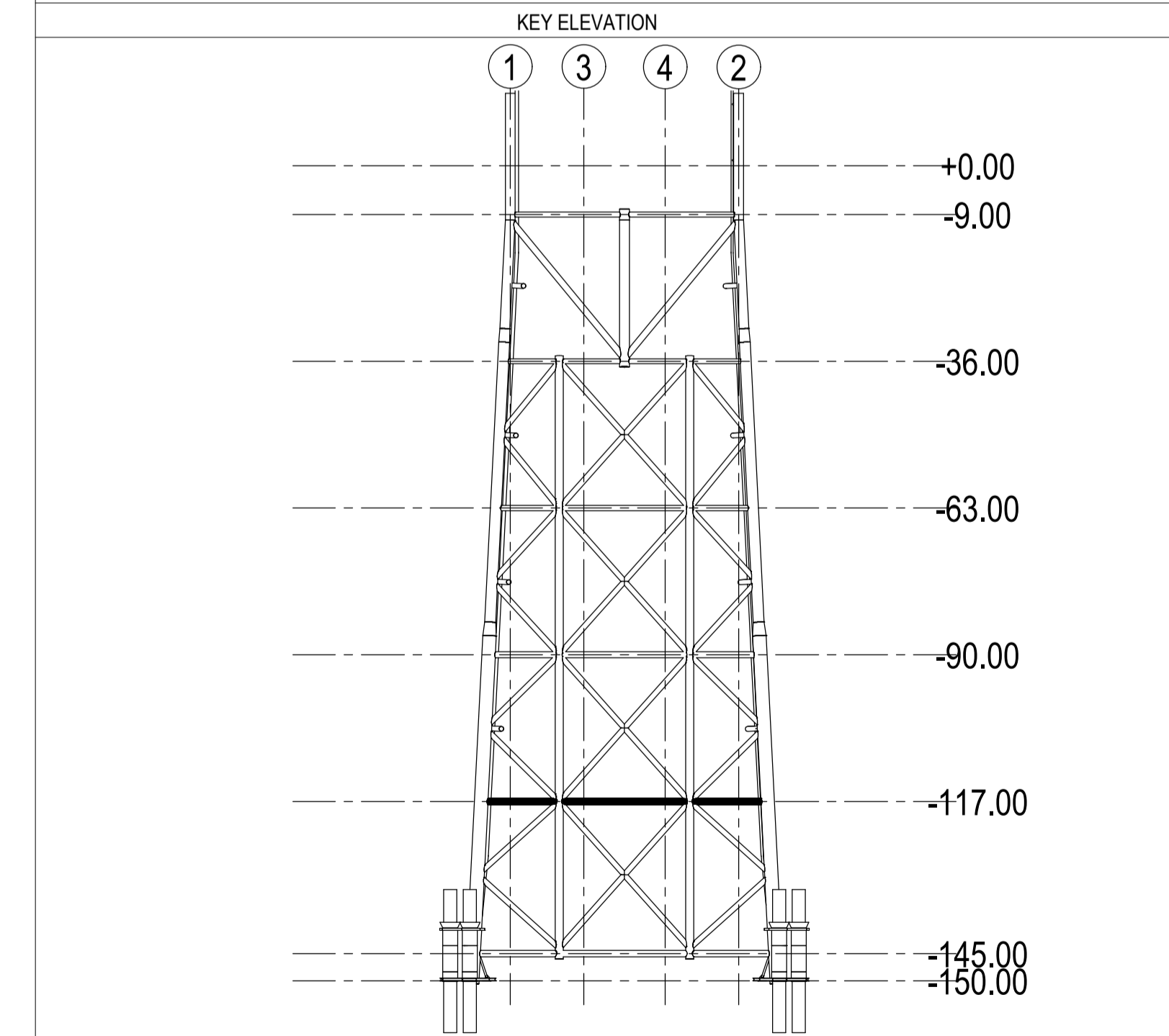


PLAN AT EL. -117.00
REFERRED TO C.L. PIPE

REFERENCE DOCUMENTS		
REF	DOC TAG	DESCRIPTION
1	12085-CDD-200	SUBSTATION 2 - ASSEMBLY - ISOMETRIC VIEW

NOTES

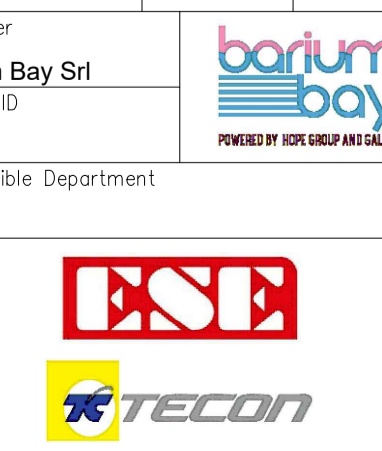
1 - ALL DIMENSIONS ARE IN mm U.N.O.
2 - ALL ELEVATION ARE IN m REFERRED TO L.A.T.



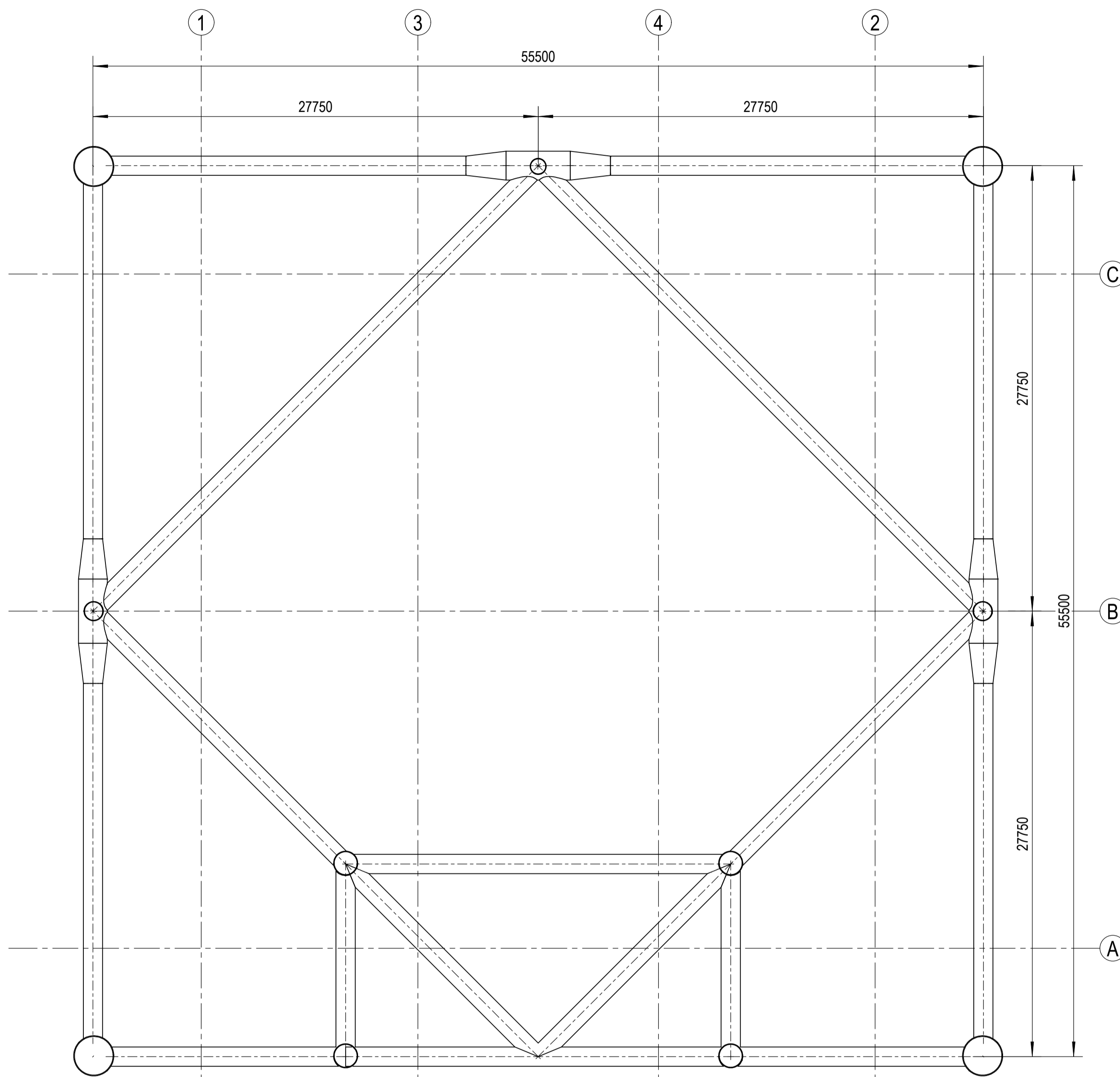
Rev.	Date	Created by	Checked by	Approved by	Description
00	26.07.2023	FM	GP	MT	First Issue

Customer	Project	Customer Document ID
Barium Bay Srl	Barium Bay Offshore Substations	-
Project ID	Replacing	Based on
12085	-	-
Responsible Department	Created by	Checked by
-	Fabio Maroni	Giulio Pascolini
Title		Document ID
SUBSTATION 2 JACKET - PLAN AT EL. -117.00		12085-CDD-218
Rev.	Rel. Date	Page
00	26.07.2023	1/1

File name: 12085-CDD-218_00.dwg



PLATFORM NORTH



PLAN AT EL. -145.00
REFERRED TO C.L. PIPE

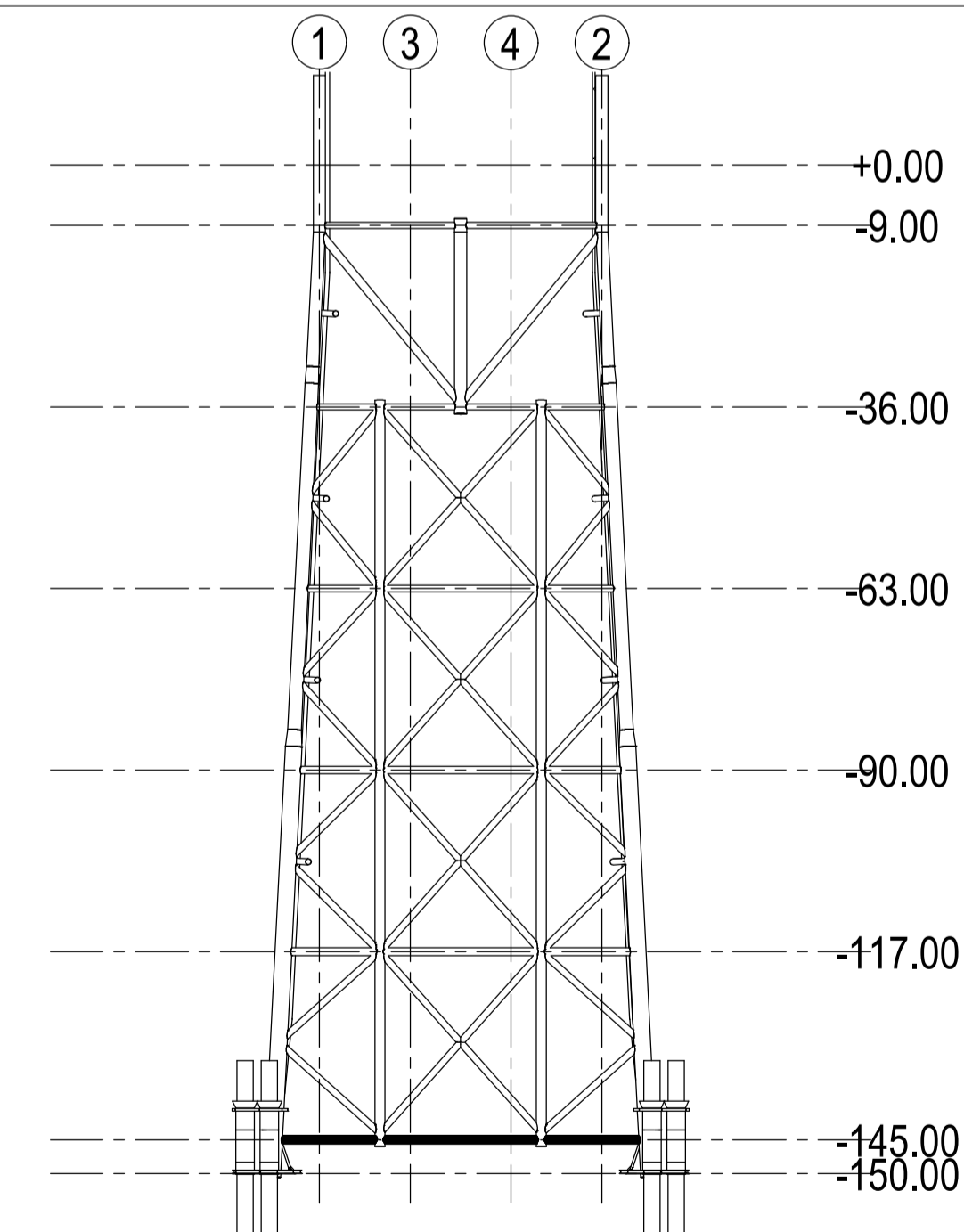
REFERENCE DOCUMENTS

REF	DOC TAG	DESCRIPTION
1	12085-CDD-200	SUBSTATION 2 - ASSEMBLY - ISOMETRIC VIEW

NOTES

- 1 - ALL DIMENSIONS ARE IN mm U.N.O.
- 2 - ALL ELEVATION ARE IN m REFERRED TO L.A.T.

KEY ELEVATION



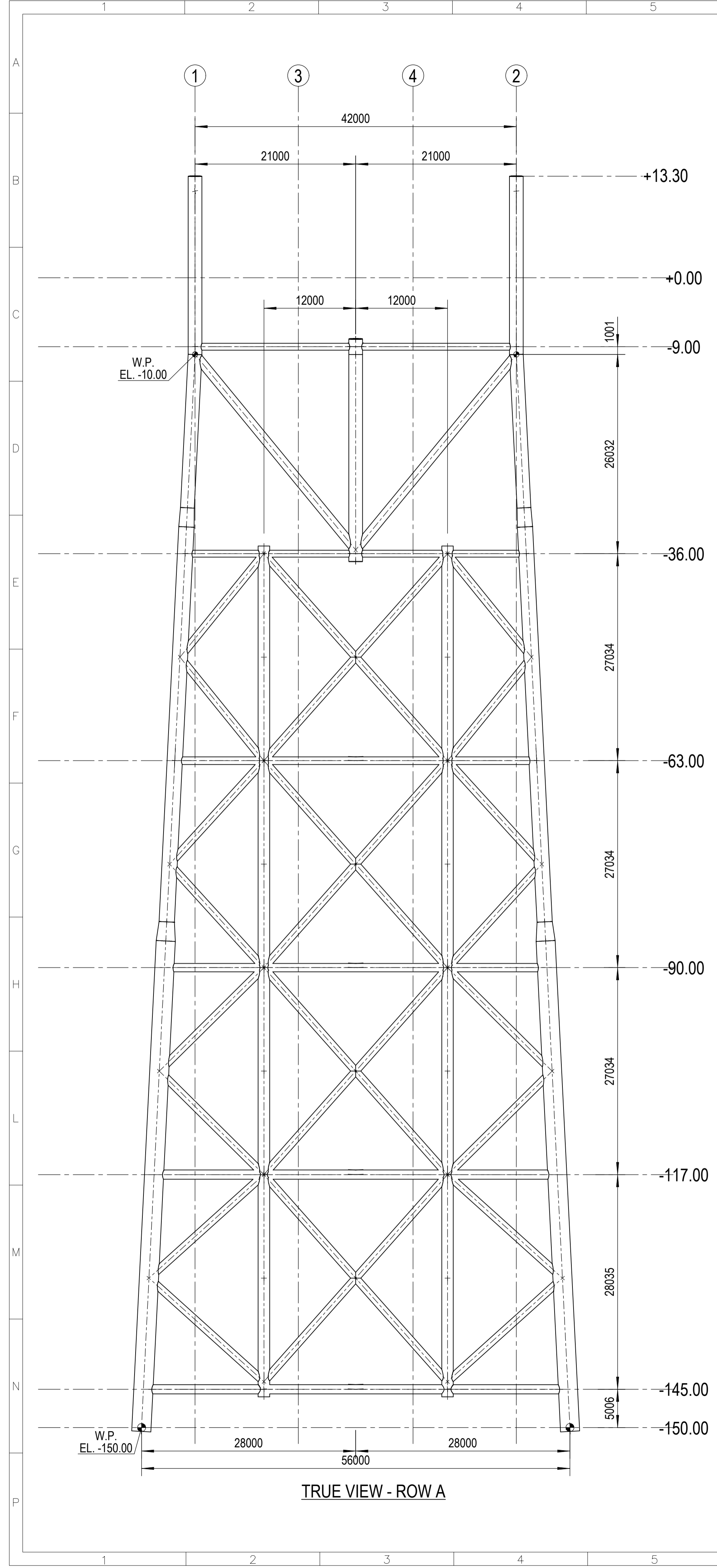
Rev.	Date	Created by	Checked by	Approved by	Description
00	26.07.2023	FM	GP	MT	First Issue

Customer	Project	Customer Document ID
Barium Bay Srl	Barium Bay Offshore Substations	-
Project ID	Replacing	Based on
12085	-	-
Responsible Department	Created by	Checked by
-	Fabio Maroni	Giulio Pascolini
	Approved by	Document ID
	Mauro Tavola	12085-CDD-219
	Title	Rev.
	SUBSTATION 2	Rel. Date
	JACKET - PLAN AT EL. -145.00	26.07.2023
	KKS-NO.: -	Page
		1/1

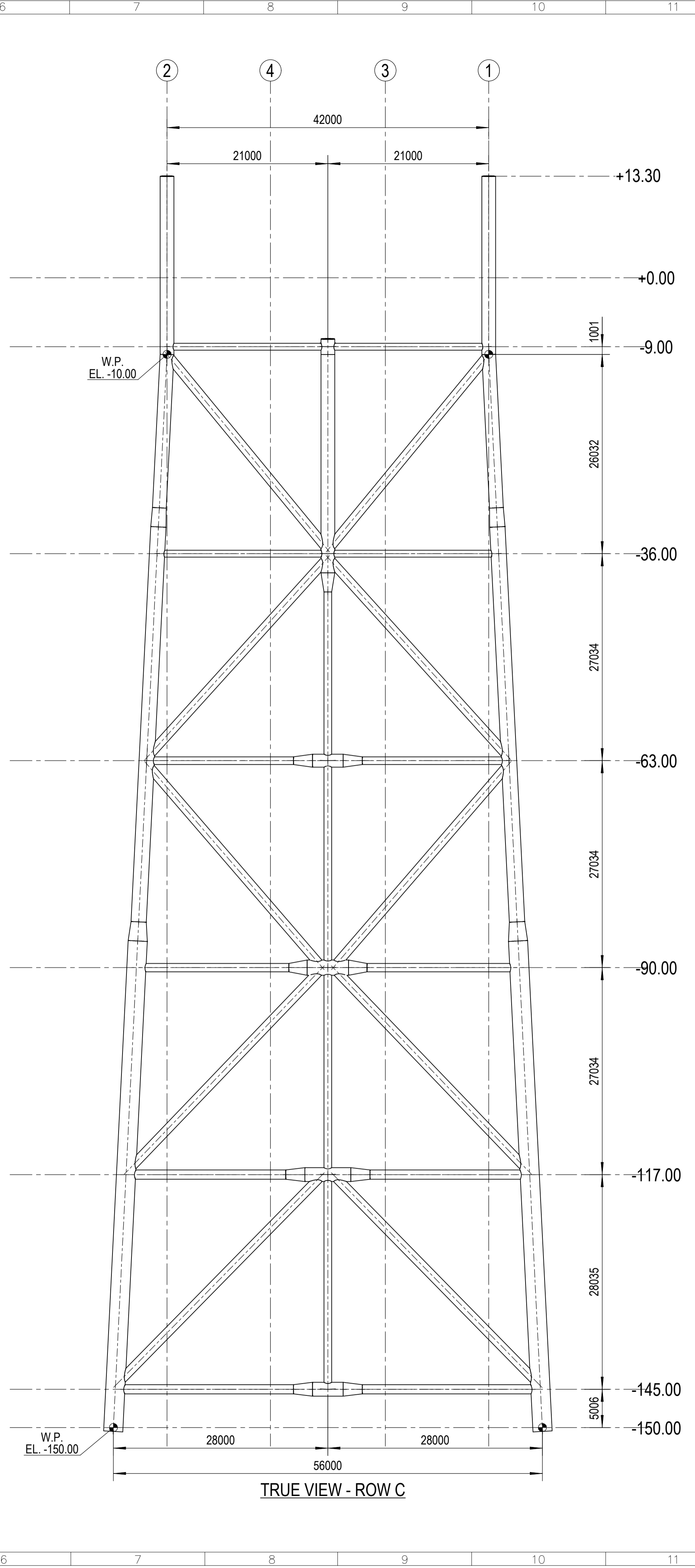
File name: 12085-CDD-219_00.dwg



Mod. UNI - A1/P0



TRUE VIEW - ROW A

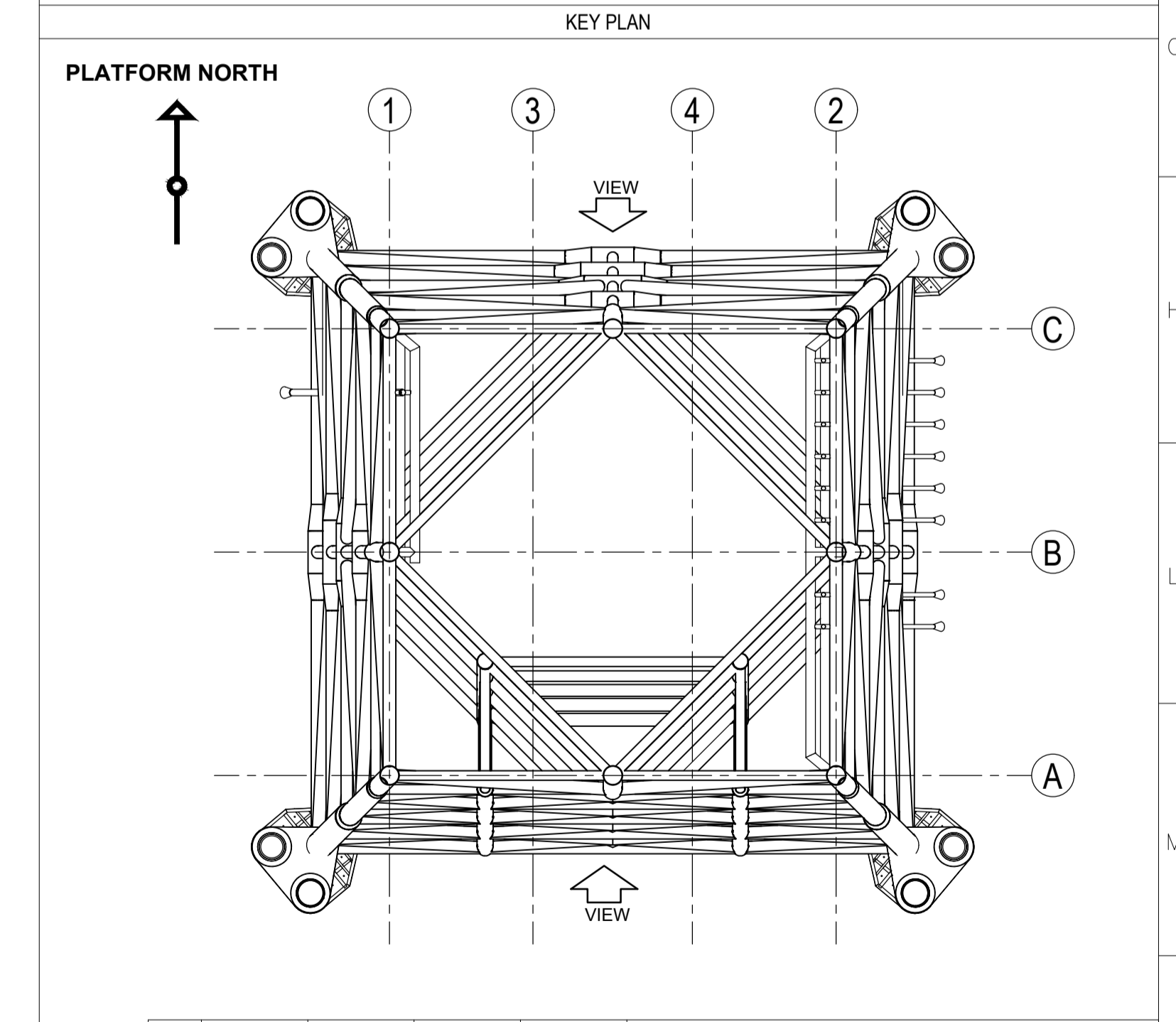


TRUE VIEW - ROW C

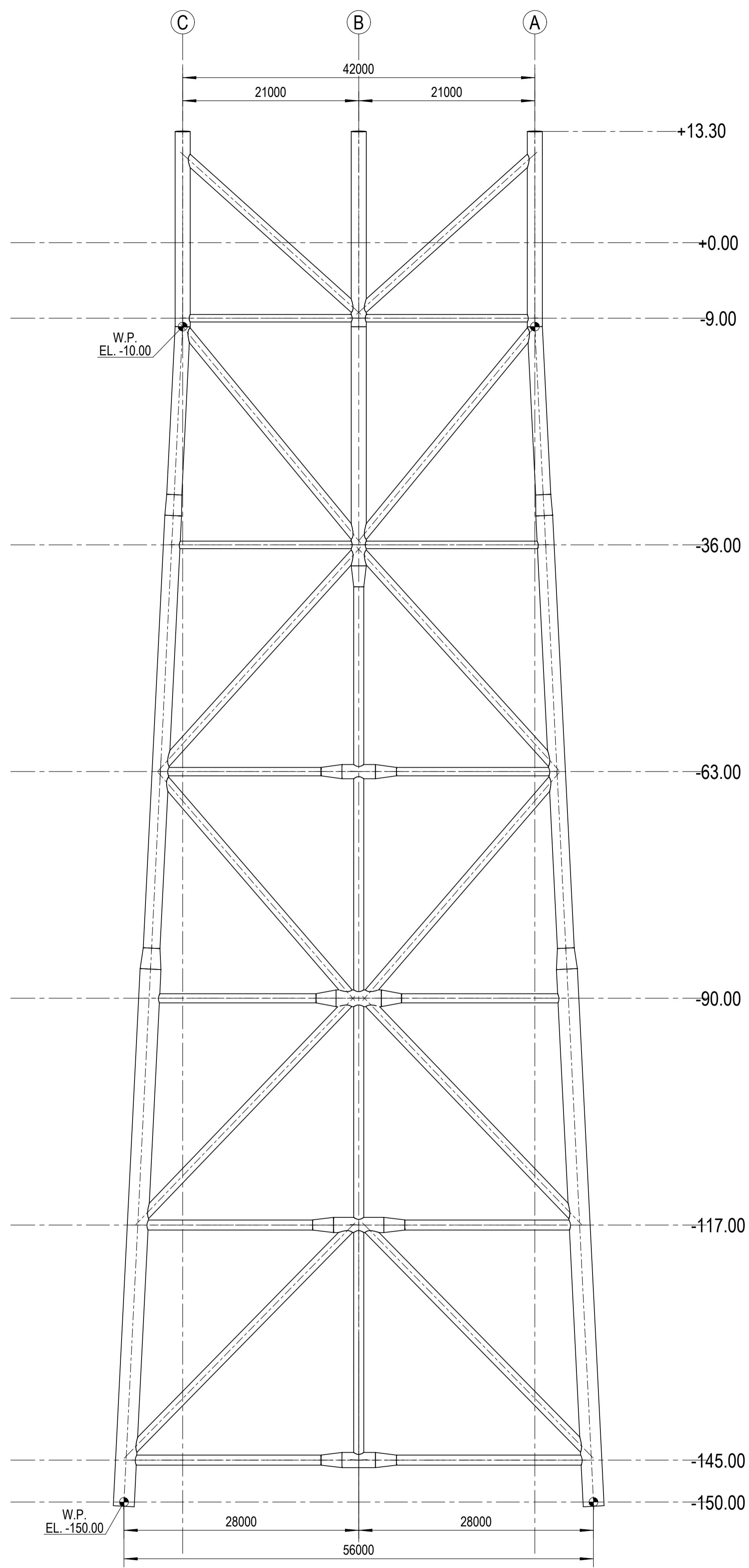
REFERENCE DOCUMENTS		
REF	DOC TAG	DESCRIPTION
1	12085-CDD-200	SUBSTATION 2 - ASSEMBLY - ISOMETRIC VIEW

NOTES

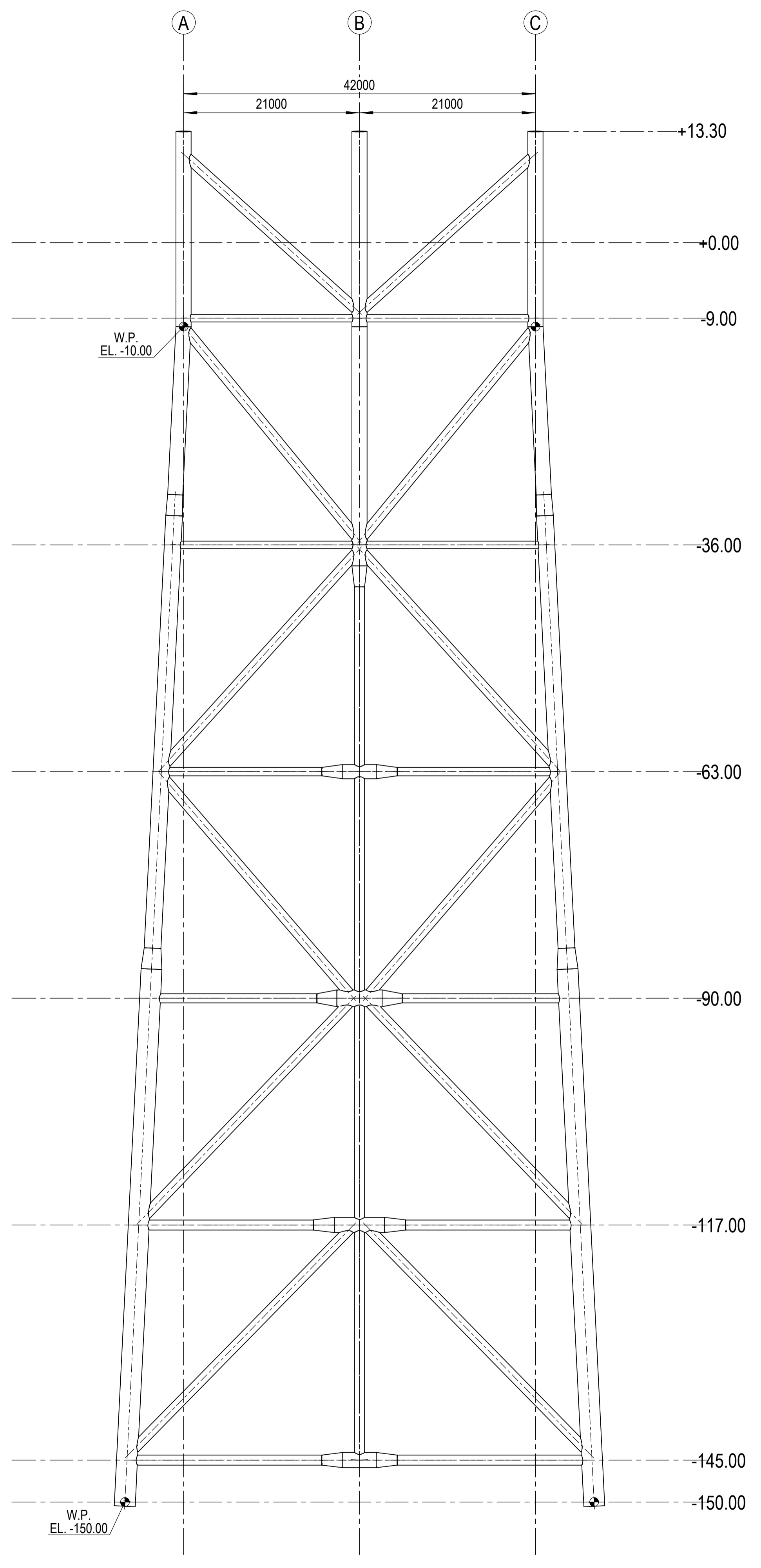
1 - ALL DIMENSIONS ARE IN mm U.N.O.
 2 - ALL ELEVATION ARE IN m REFERRED TO L.A.T.



00	26.07.2023	FM	GP	MT	First Issue
Rev.	Date	Created by	Checked by	Approved by	Description
Customer		Project		Customer Document ID	
Barium Bay Sri		Barium Bay Offshore Substations		-	
Project ID		Replacing		Based on	
12085		-		-	
Scale		Format		-	
1:350		A1		-	
Responsible Department		Created by		Checked by	
-		Fabio Maroni		Giulio Pascolini	
Approved by		Title		Document ID	
Mauro Tavola		SUBSTATION 2		12085-CDD-220	
-		JACKET - TRUE VIEW ROW A - C		Rev.	
-		-		26.07.2023	
Page		KKS-NO: -		1/1	



TRUE VIEW - ROW 1

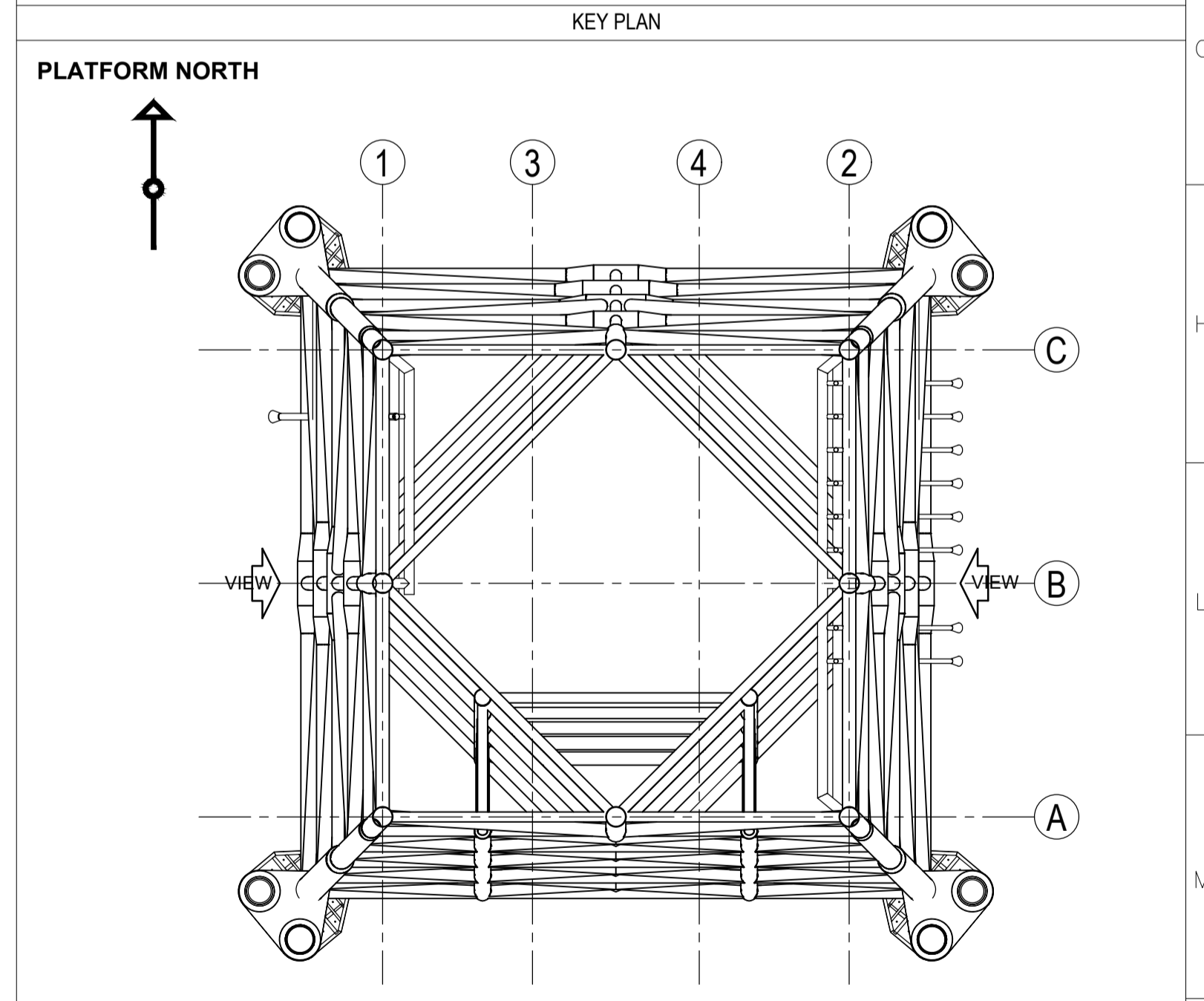


TRUE VIEW - ROW 2

REFERENCE DOCUMENTS		
REF	DOC TAG	DESCRIPTION
1	12085-CDD-200	SUBSTATION 2 - ASSEMBLY - ISOMETRIC VIEW

NOTES

1 - ALL DIMENSIONS ARE IN mm U.N.O.
 2 - ALL ELEVATION ARE IN m REFERRED TO L.A.T.



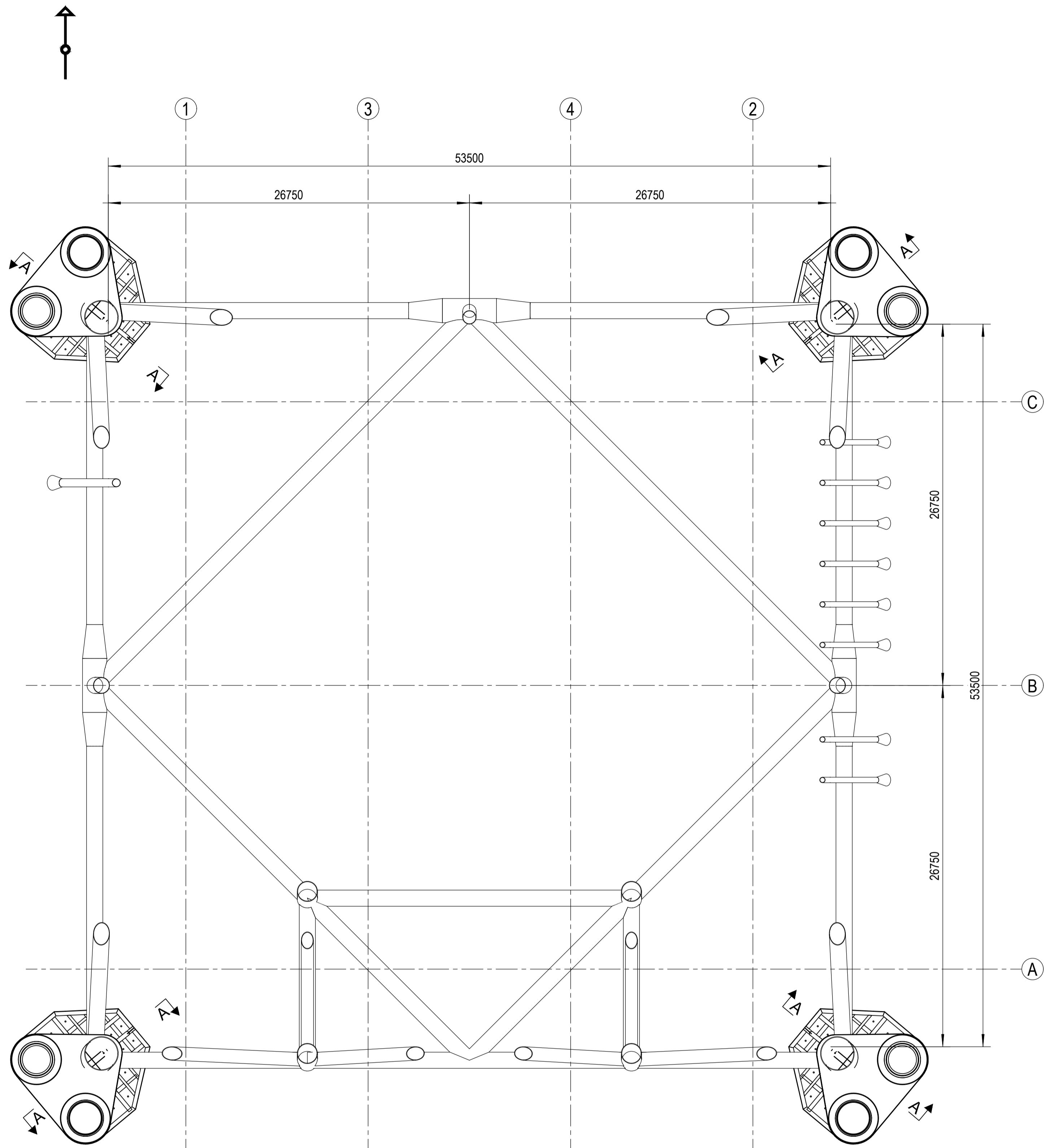
00	26.07.2023	FM	GP	MT	First Issue
Rev.	Date	Created by	Checked by	Approved by	Description
Customer		Project		Customer Document ID	
Barium Bay Srl		Barium Bay Offshore Substations		-	
Project ID		Replacing		Based on	
12085		-		-	
Responsible Department		Created by		Checked by	
-		Fabio Maroni		Giulio Pascolini	
Approved by		Title		Document ID	
Mauro Tavola		SUBSTATION 2 JACKET - TRUE VIEW ROW 1 - 2		12085-CDD-221	
KKS-NO: -		Rev.		Rel. Date	
-		00		26.07.2023	
		Page		1/1	

File name: 12085-CDD-221_00.dwg

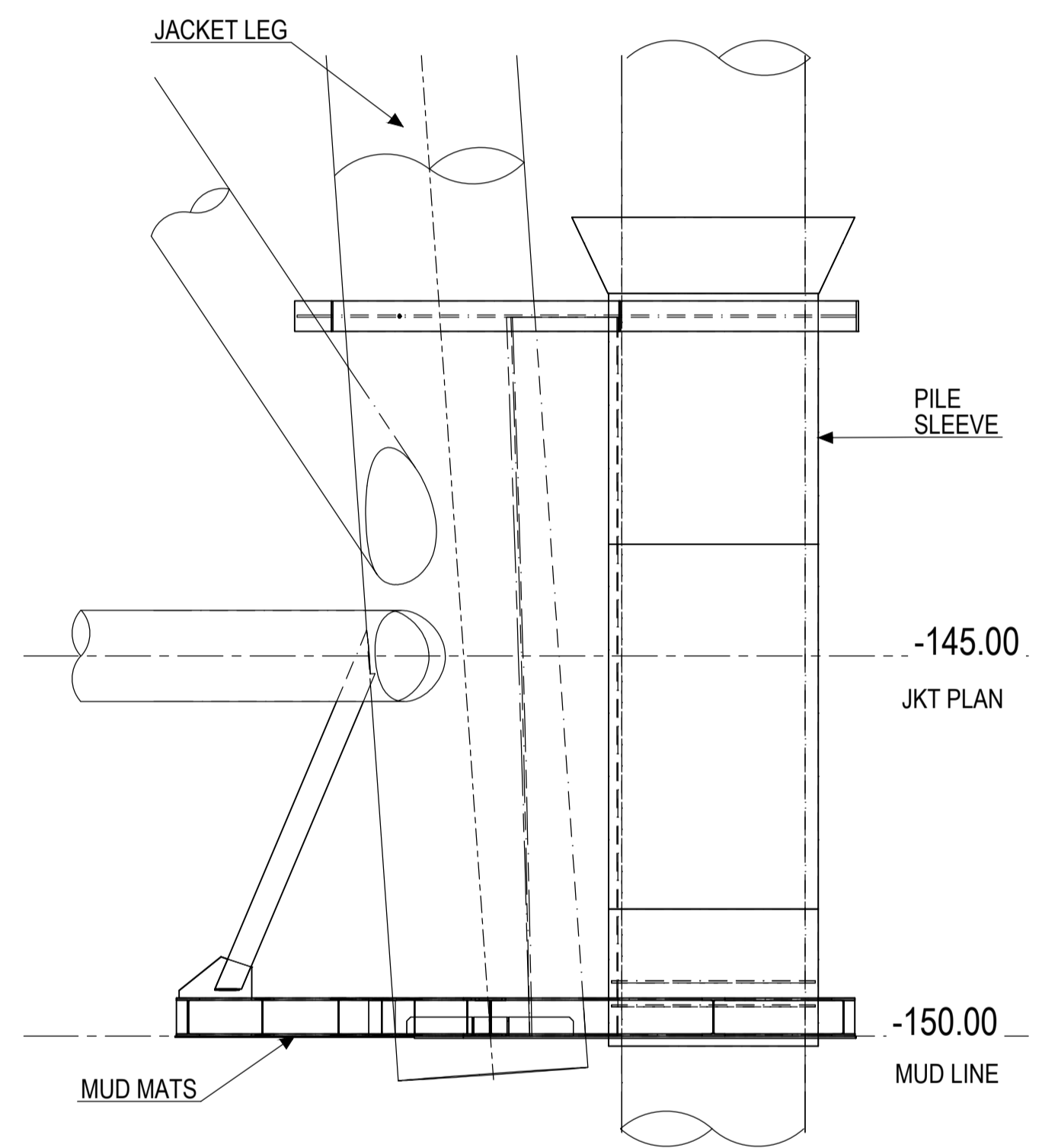


Mod. (08-A1) 0

PLATFORM NORTH



PLAN AT EL. -145.00
REFERRED TO C.L. PIPE

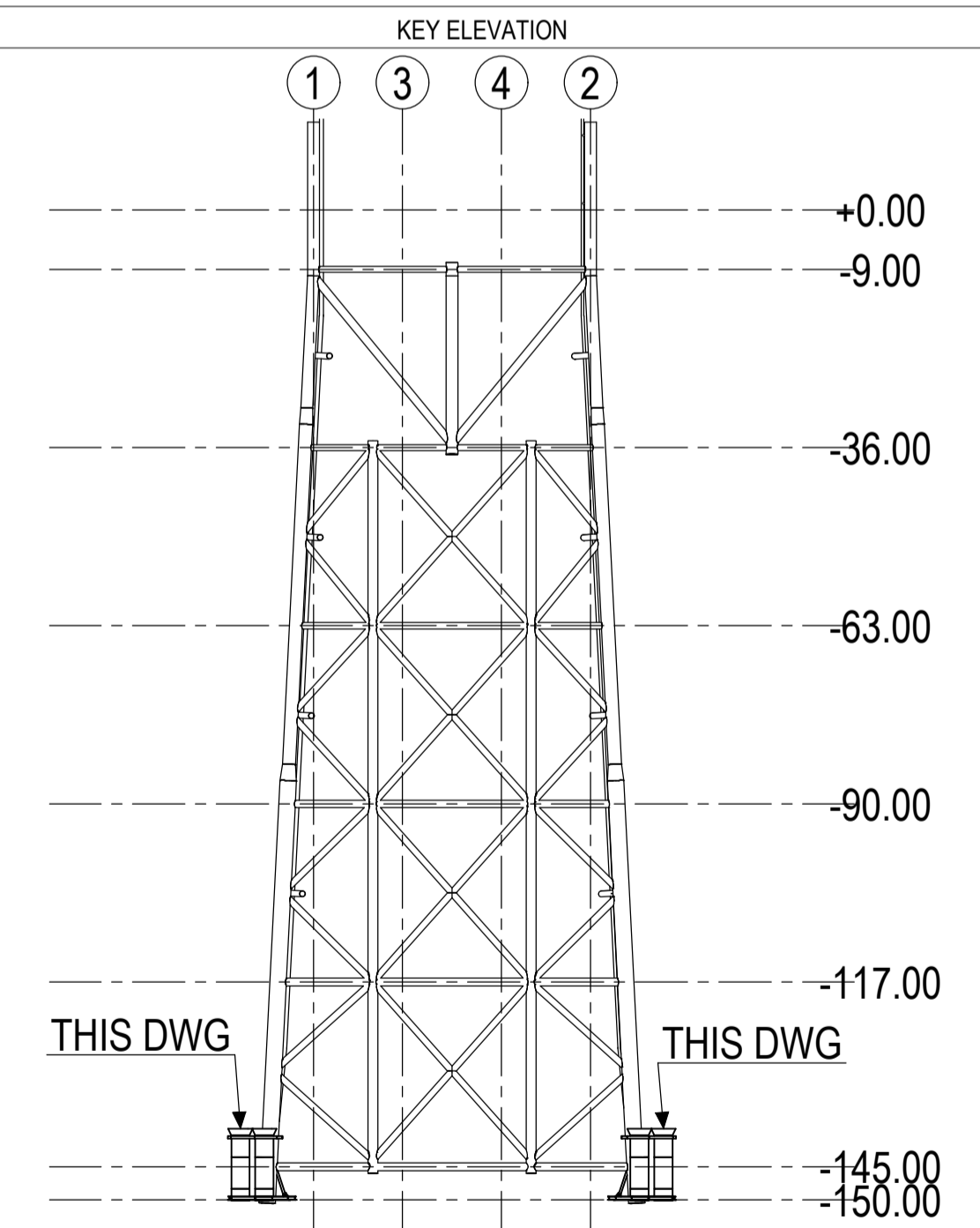


SECTION A - A
1:75

REFERENCE DOCUMENTS		
REF	DOC TAG	DESCRIPTION
1	12085-CDD-200	SUBSTATION 2 - ASSEMBLY - ISOMETRIC VIEW

NOTES

1 - ALL DIMENSIONS ARE IN mm U.N.O.
2 - ALL ELEVATION ARE IN m REFERRED TO L.A.T.



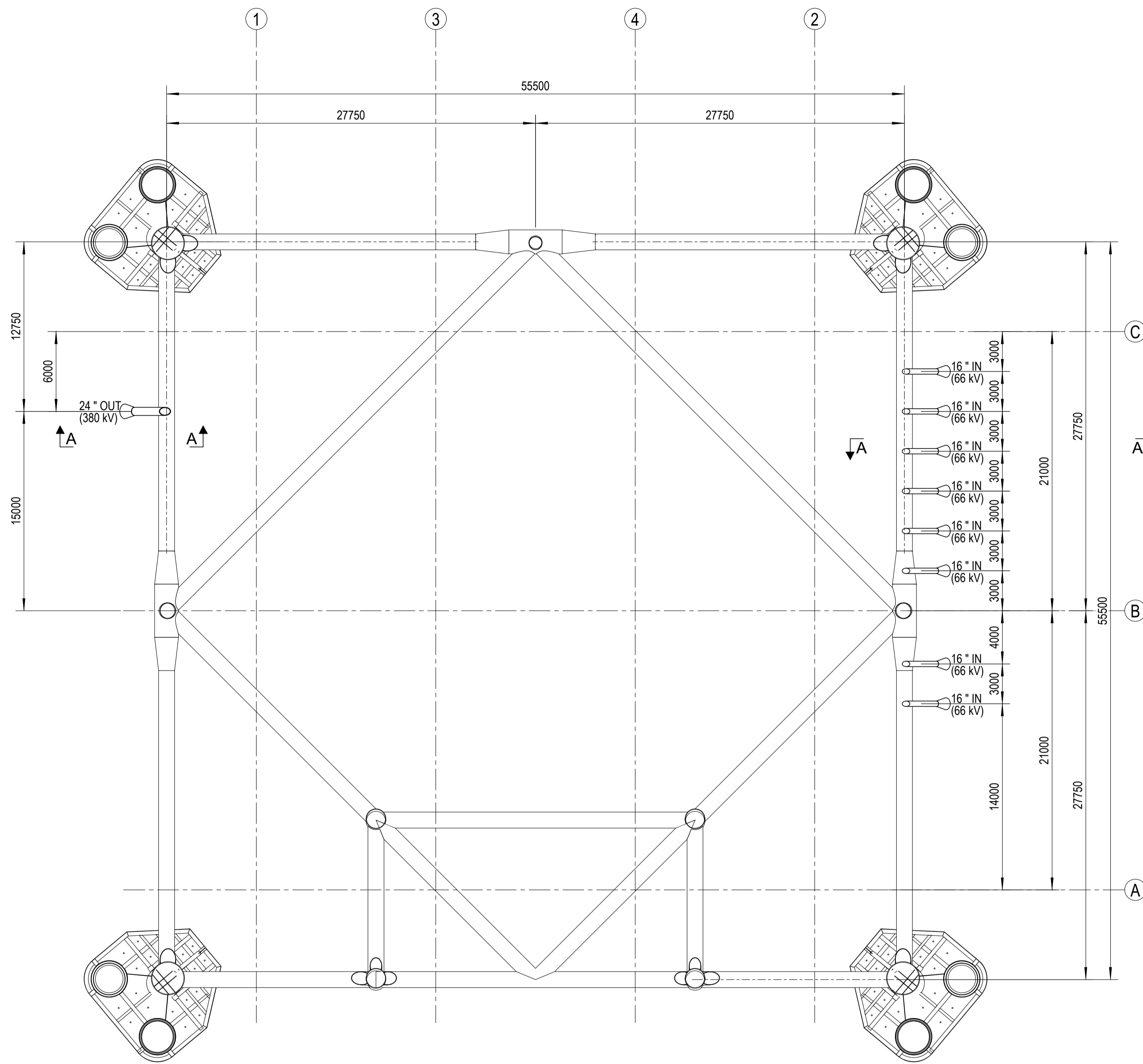
Rev.	Date	Created by	Checked by	Approved by	Description
00	26.07.2023	FM	GP	MT	First Issue
Customer		Project		Customer Document ID	
Barium Bay Sri		Barium Bay Offshore Substations		-	
Project ID		Replacing		Based on	
12085		-		-	
Responsible Department		Created by		Checked by	
-		Fabio Maroni		Giulio Pascolini	
Title		Document ID		Rev.	
SUBSTATION 2 JACKET - PILES SLEEVES & MUD MATS ASSEMBLY		12085-CDD-222		26.07.2023	
KKS-NO: -		Page		1/1	

File name: 12085-CDD-222_00.dwg

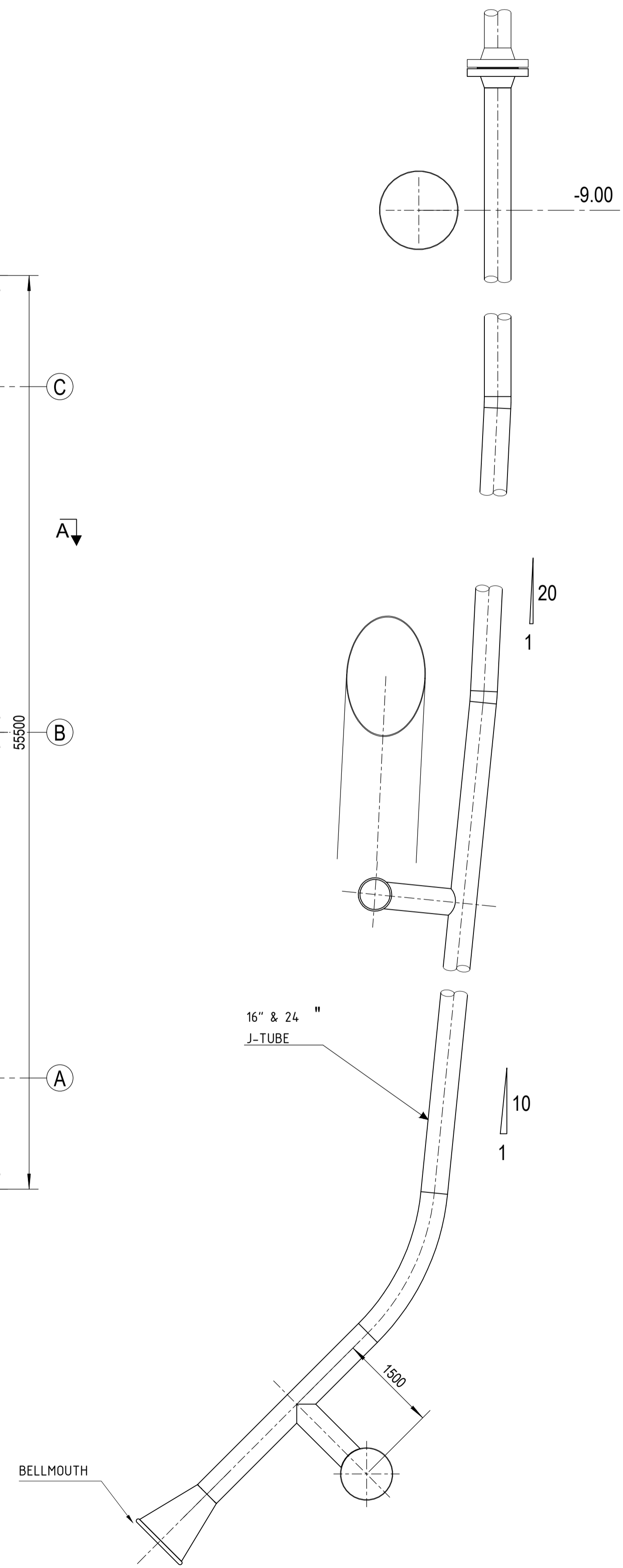


Scale: 1:200
Format: A1

PLATFORM NORTH



PLAN AT EL. -145.00
REFERRED TO C.L. PIPE

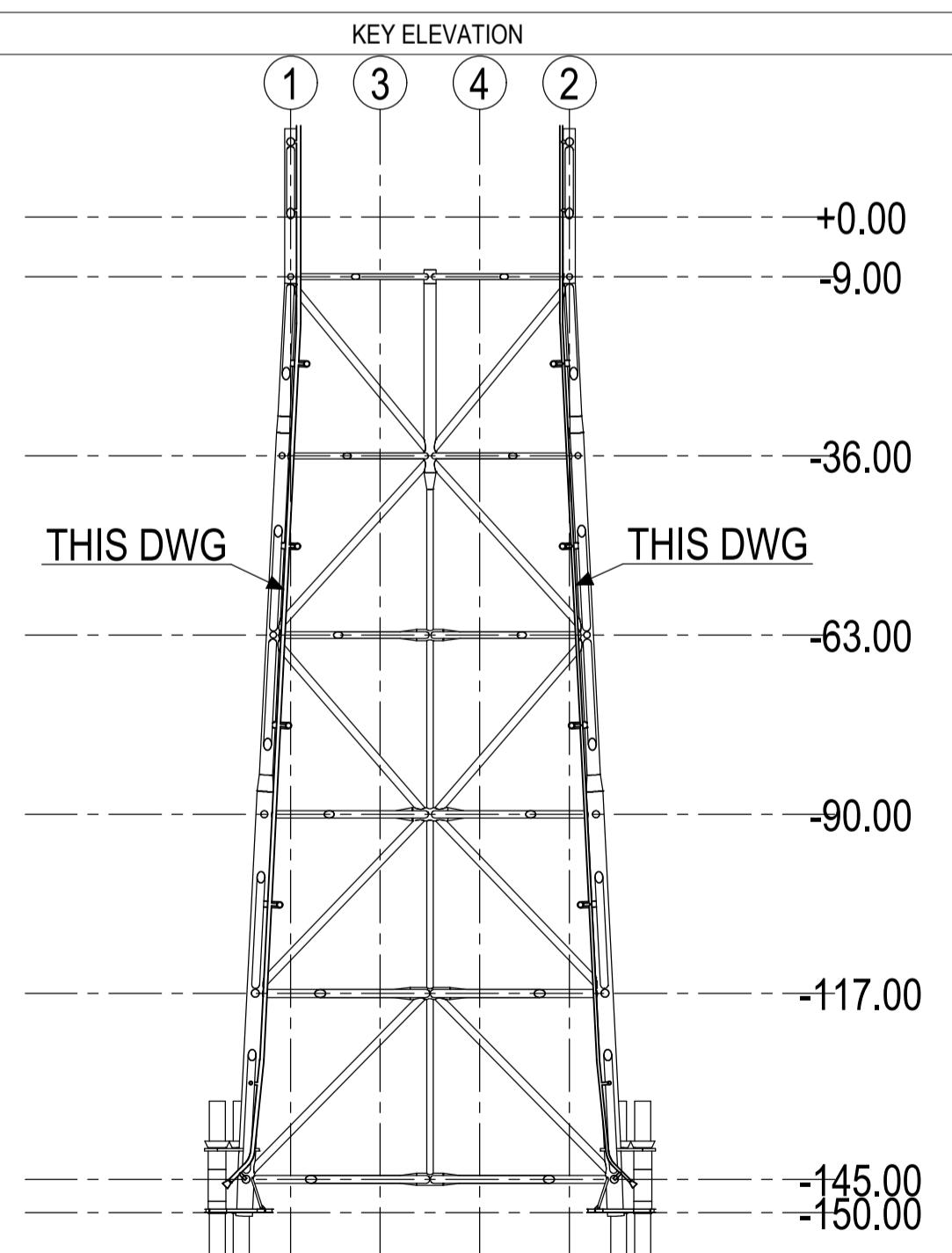


SECTION A - A
1:50

REFERENCE DOCUMENTS		
REF	DOC TAG	DESCRIPTION
1	12085-CDD-200	SUBSTATION 2 - ASSEMBLY - ISOMETRIC VIEW

NOTES

1 - ALL DIMENSIONS ARE IN mm U.N.O.
2 - ALL ELEVATION ARE IN m REFERRED TO L.A.T.

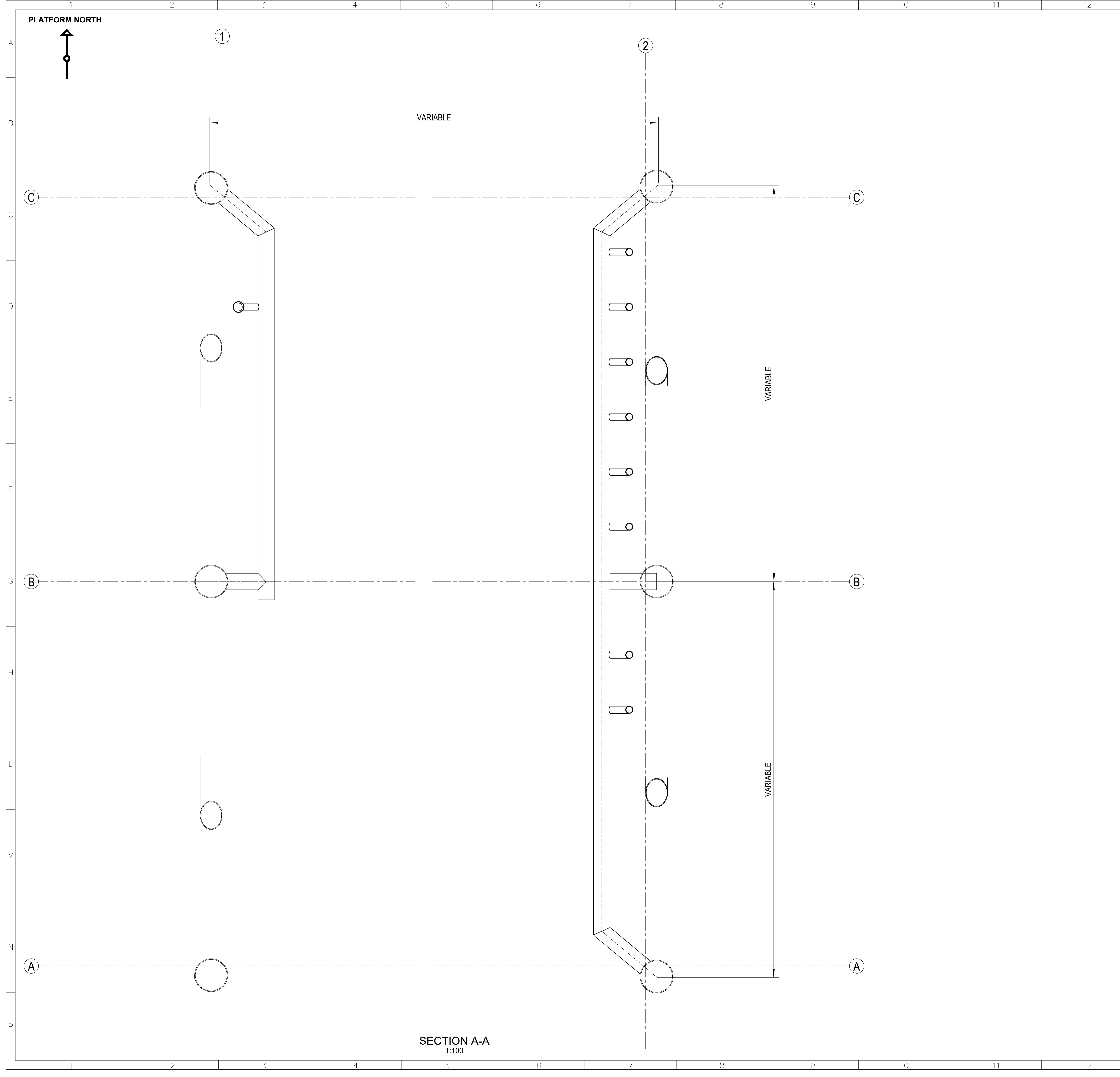


Rev.	Date	Created by	Checked by	Approved by	Description
00	26.07.2023	FM	GP	MT	First Issue

Customer	Barium Bay Srl	Project	Barium Bay Offshore Substations	Customer Document ID	-
Project ID	12085	Replacing	-	Scale	1:200
Responsible Department	-	Created by	Fabio Maroni	Checked by	Giulio Pascolini
Approved by	-	Approved by	Mauro Tavola	Format	A1
Title	SUBSTATION 2 JACKET - J-TUBES ASSEMBLY AND DETAILS		Document ID	12085-CDD-223	
KKS-NO.:	-	Rev.	00	Rel. Date	26.07.2023
Page	1/1				

File name: 12085-CDD-223_00.dwg



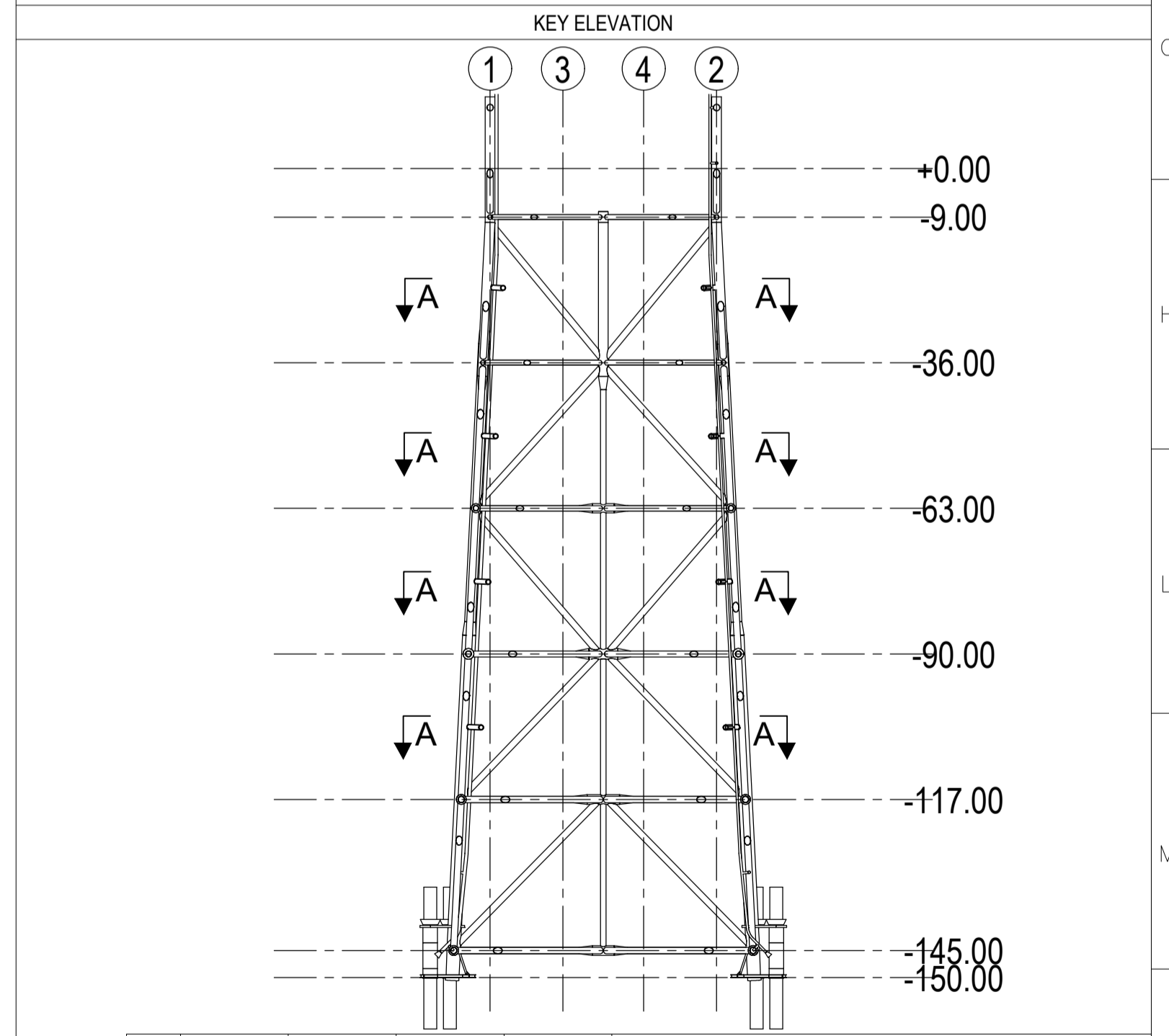


SECTION A-A
1:100

REFERENCE DOCUMENTS		
REF	DOC TAG	DESCRIPTION
1	12085-CDD-200	SUBSTATION 2 - ASSEMBLY - ISOMETRIC VIEW

NOTES

1 - ALL DIMENSIONS ARE IN mm U.N.O.
2 - ALL ELEVATION ARE IN m REFERRED TO L.A.T.

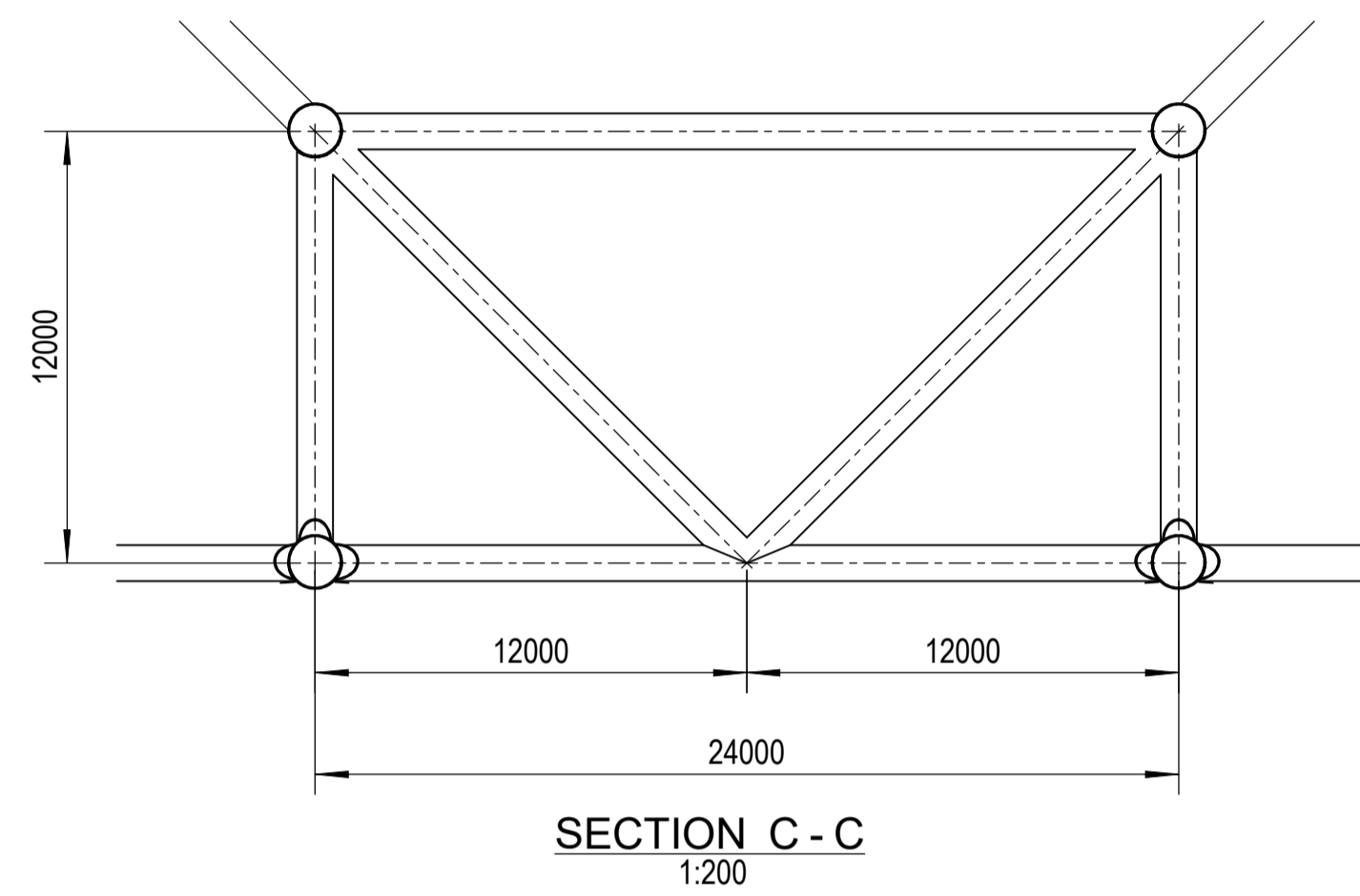
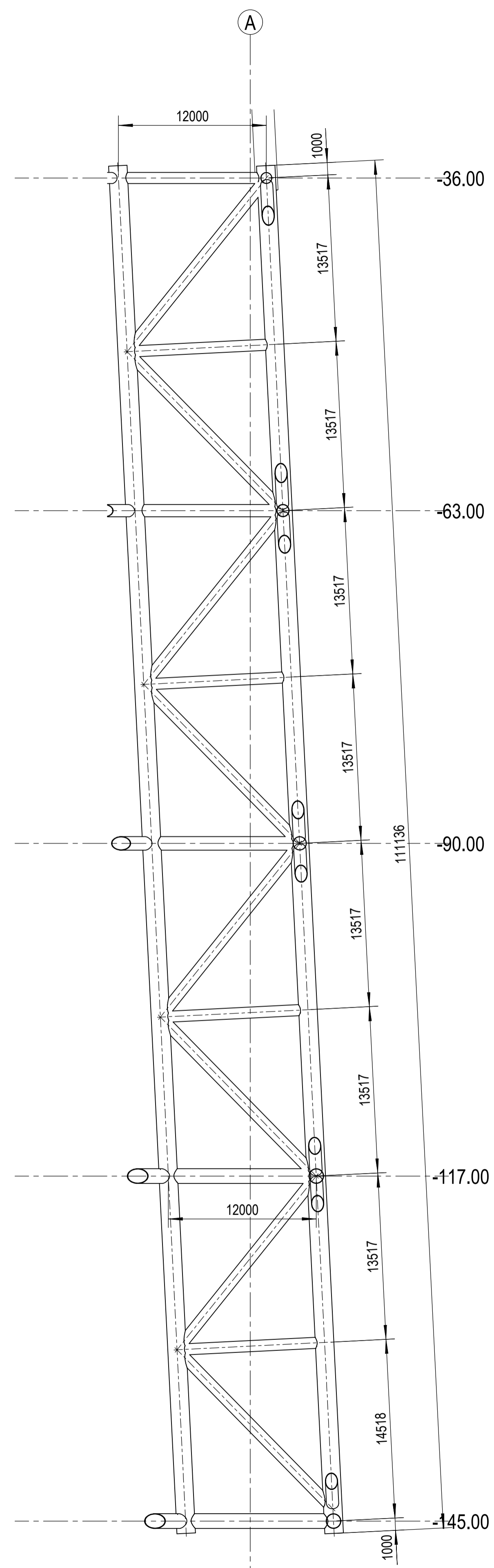
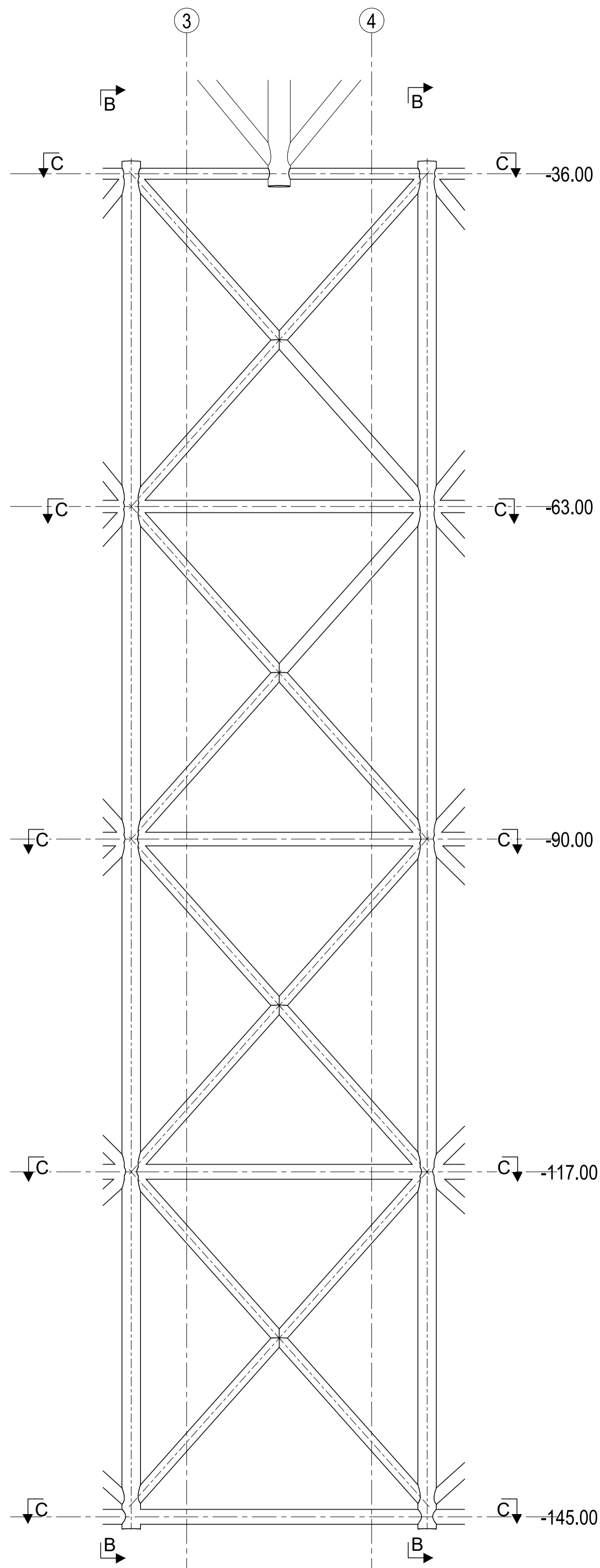


00	26.07.2023	FM	GP	MT	First Issue
Rev.	Date	Created by	Checked by	Approved by	Description
Customer		Project		Customer Document ID	
Barium Bay Sri		Barium Bay Offshore Substations		-	
Project ID		Replacing		Based on	
12085		-		-	
Responsible Department		Created by		Checked by	
-		Fabio Maroni		Giulio Pascolini	
Approved by		Title		Document ID	
Mauro Tavola		SUBSTATION 2 JACKET - J-TUBE SUPPORTS ASSEMBLY AND DETAILS		12085-CDD-224	
Rev.		Rel. Date		Page	
00		26.07.2023		1/1	

File name: 12085-CDD-224_00.dwg



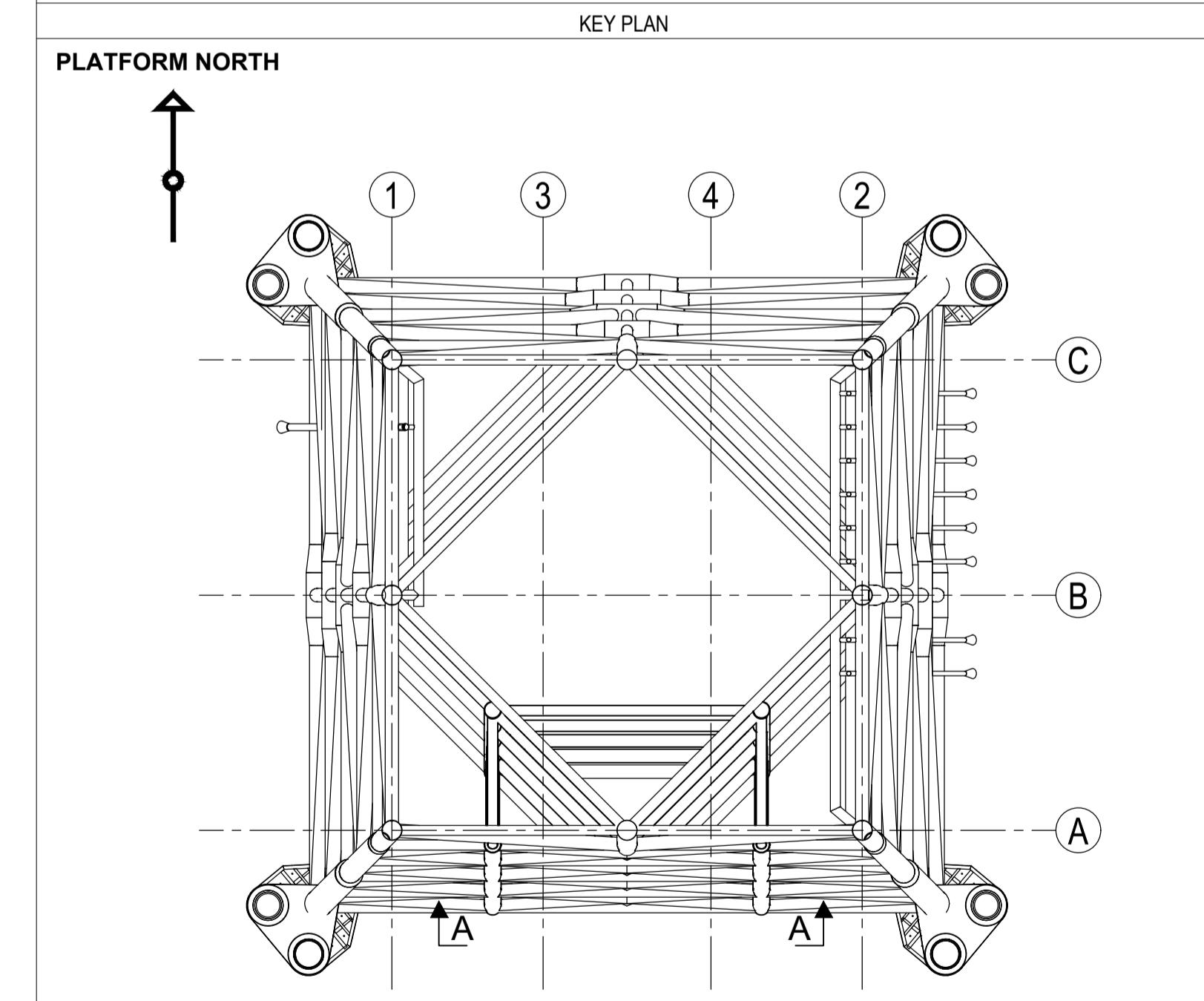
Scale: 1:100



REFERENCE DOCUMENTS		
REF	DOC TAG	DESCRIPTION
1	12085-CDD-200	SUBSTATION 2 - ASSEMBLY - ISOMETRIC VIEW

NOTES

1 - ALL DIMENSIONS ARE IN mm U.N.O.
2 - ALL ELEVATION ARE IN m REFERRED TO L.A.T.



Rev.	Date	Created by	Checked by	Approved by	Description
00	26.07.2023	FM	GP	MT	First Issue

Customer	Project	Customer Document ID
Barium Bay Srl	Barium Bay Offshore Substations	-
Project ID	Replacing	Based on
12085	-	-
Responsible Department	Created by	Checked by
-	Fabio Maroni	Giulio Pascolini
	Title	Document ID
	SUBSTATION 2 JACKET - LAUNCHING TRUSS ASSEMBLY AND DETAILS	12085-CDD-225
	KKS-NO.: -	Rev. Rel. Date Page
		00 26.07.2023 1/1