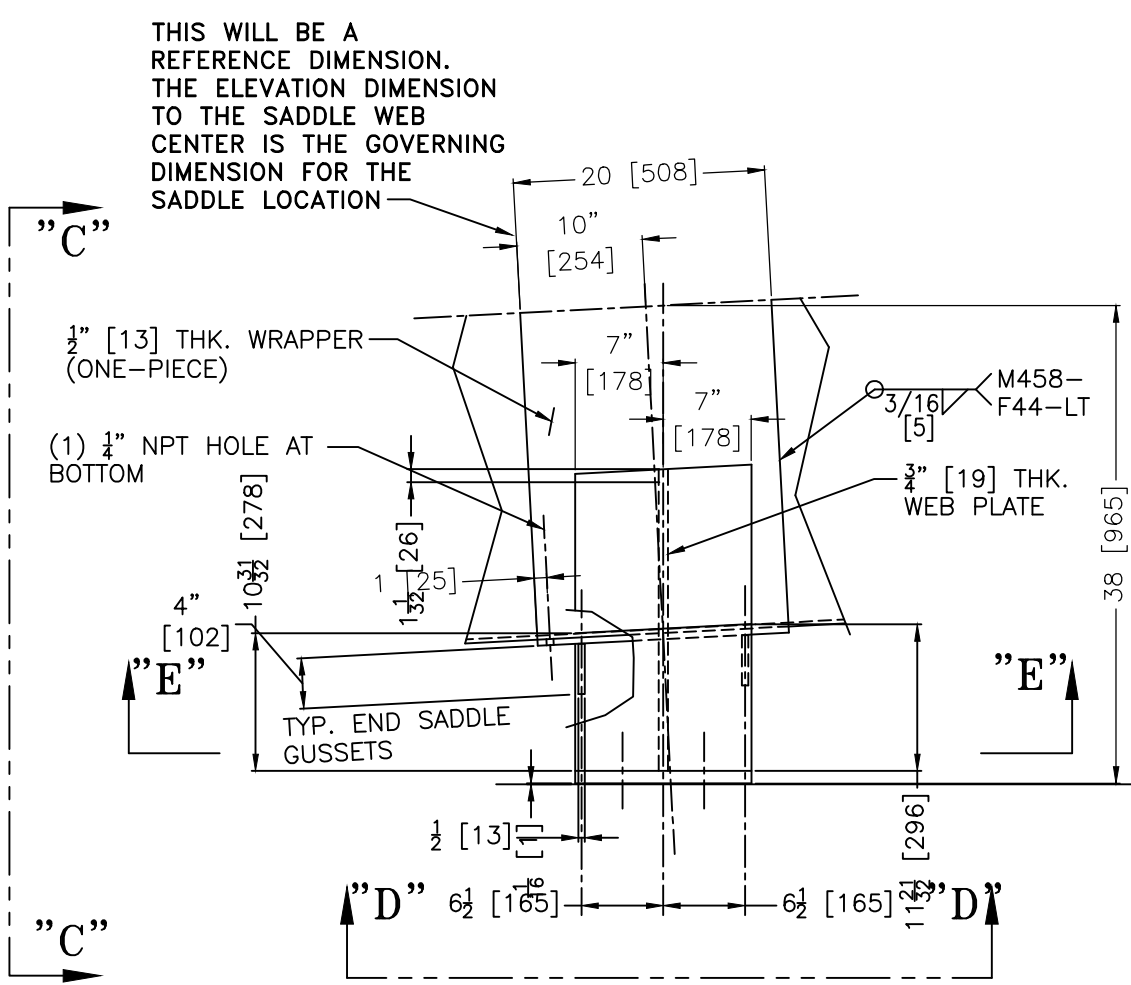
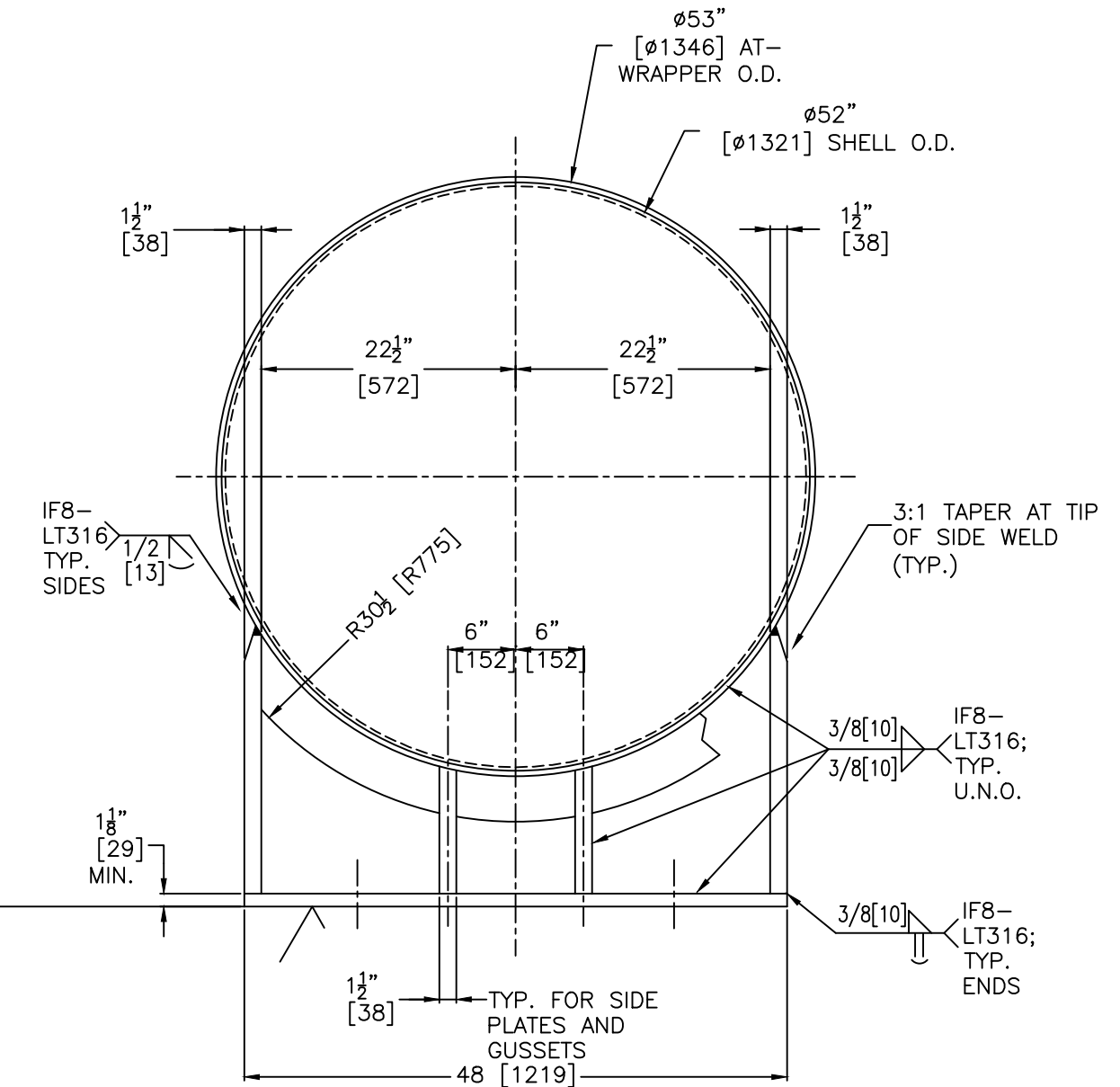


ELEVATION

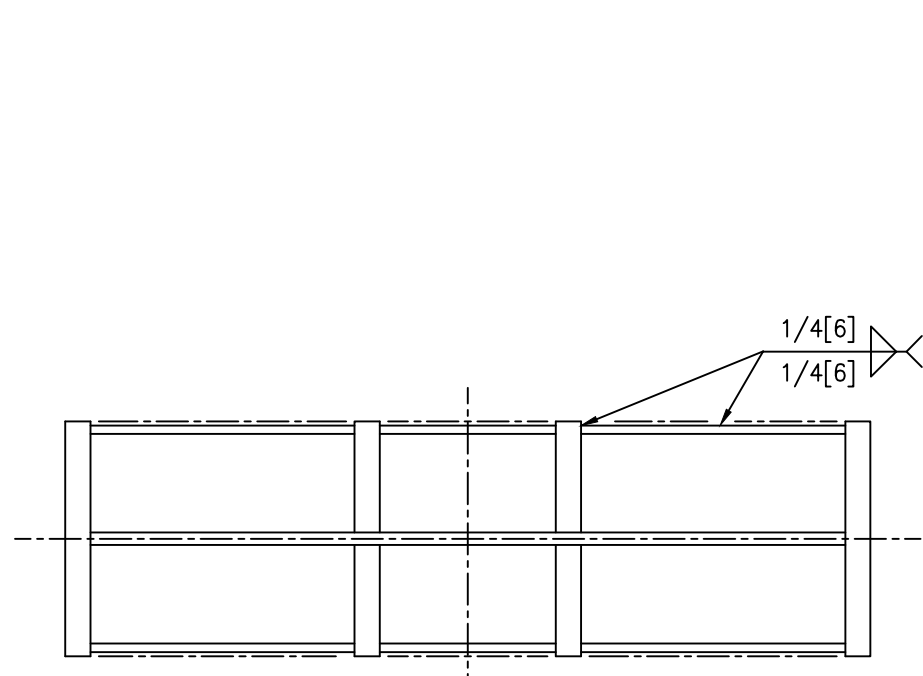
SCALE: 3/8" = 1'-0"



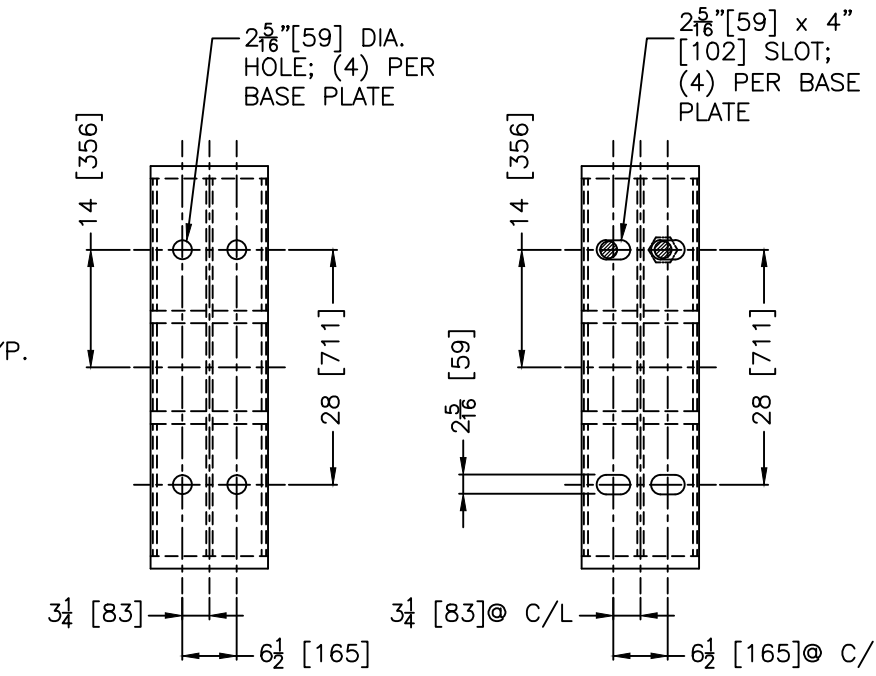
SADDLE DETAILS
ALL DIMENSIONS ARE TYPICAL BOTH SADDLES



SADDLES PER VIEW C-C



SECTION E-E
SHOWING ADDED END GUSSETS



VIEW D-D LOWER SADDLE: HOLES **VIEW D-D UPPER SADDLE: SLOTS**

AS-BUILT

P.O. NUMBER: P10HA00052 --- H2056		WORK THIS DWG. WITH DWG. L13-077-A.	
ITEM NO.: E-101A THROUGH F			
NO.	DESCRIPTION	DATE	
Δ	CORRECTED LLC NOTATION.	16 DEC 2013 J.A.P.	
		1500 N. COUNTRY CLUB RD. DECATUR, IL 62521 TELEPHONE (217) 422-5638 FAX (217) 425-4921 e-mail: info@kopetzmf.com	
		(6) 52-648 LNG VAPORIZERS [125 barG] IN-SERVICE ARRANGEMENT SAMSUNG HEAVY INDUSTRIES - GOLAR	
DWN: J.A.P.	SHOP ORDER NO. 13-077	REV.	
CHKD: R.D.F.			
DATE: 12 NOV. 2013	L13-077-B		1