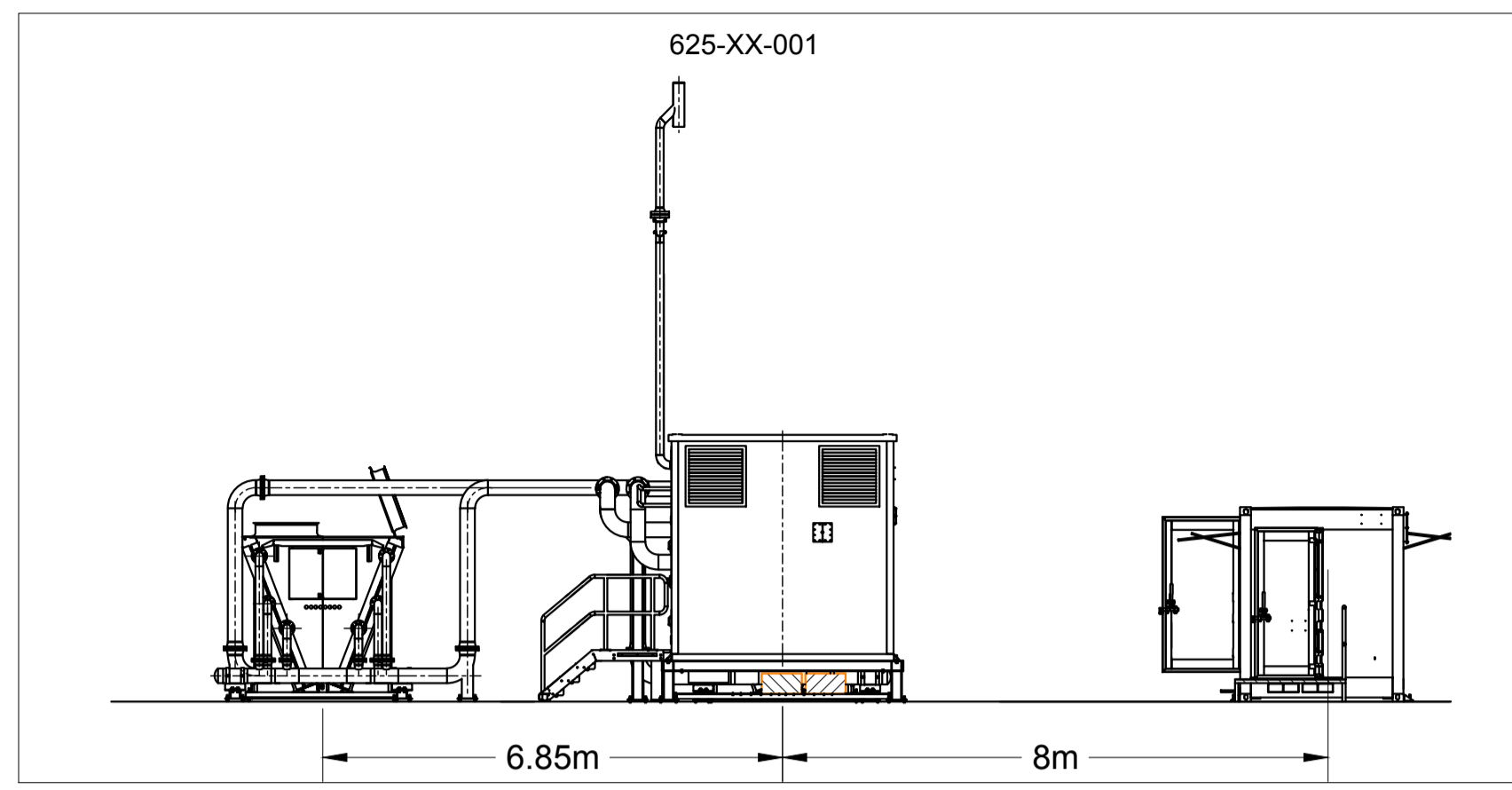
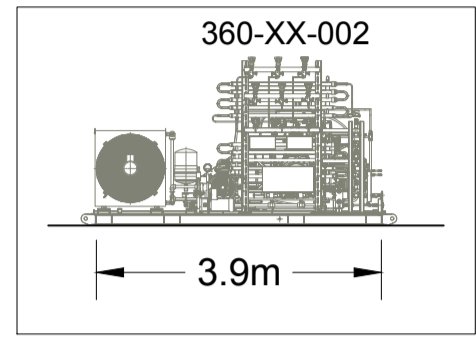


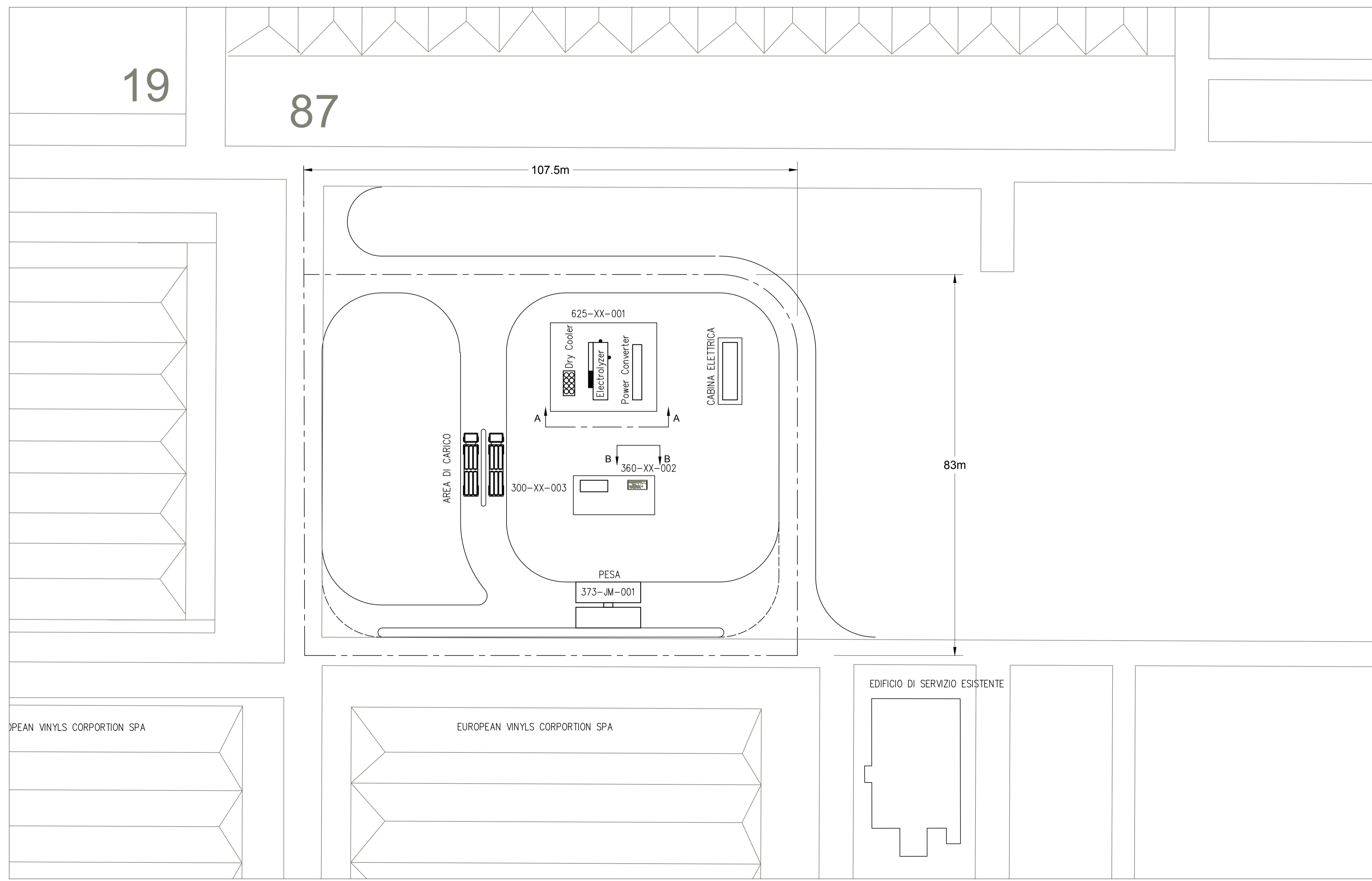
1. VENTI PREVALENTI DA SUD CON FORTE COMPONENTE DA NORD- NORD OVEST



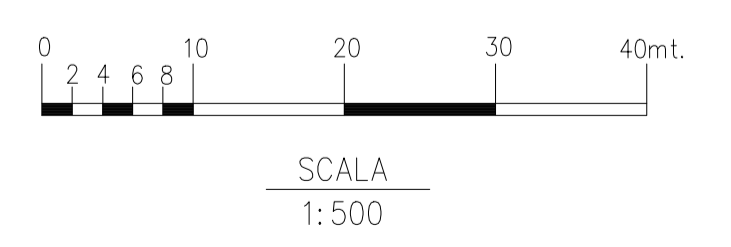
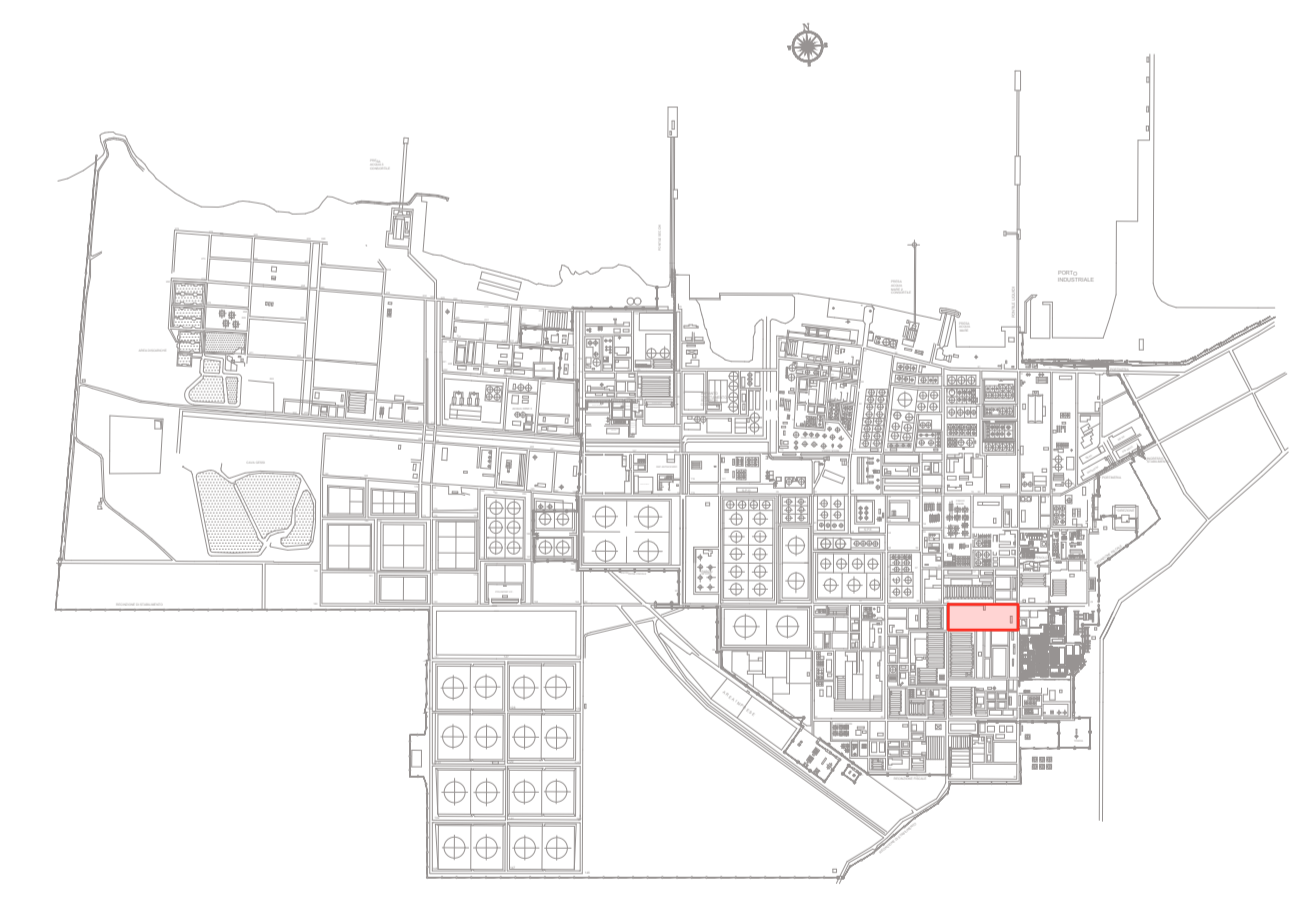
SECTION A-A
(1 : 100)



SECTION B-B
(1 : 100)



PIANTA CHIAVE



| | | | | | | | | |
|---------------------------------------|-----------------|------------|--------------------------------|-------------|-------------------|------------------|----------------------|------------------|
| CS FS | 00 | 16/06/2023 | Feasibility Study | EP-P&L | MAR | MAR | - | - |
| Validity Status | Revision Number | Date | Description | Prepared by | Checked by | Approved by | Contractor Approved | Company Approved |
| Index Revision | | | Company Logo and Business Name | | LCI Activity Code | | Company Document ID: | |
| - | | | progetti | | - | | Job N.: JA1050 | |
| Facility and Sub Facility description | | | Project and SoW description | | Scale | | Sheet of Sheets | |
| Green Hydrogen - Porto Torres | | | Green H2 | | 1:500 | | 1/1 | |
| Document Title | | | | | | Superseded by N. | | |
| GENERAL PLOT PLAN | | | | | | Superseded by N. | | |
| - | | | | | | Plant Area | | Functional Unit |
| - | | | | | | - | | - |